

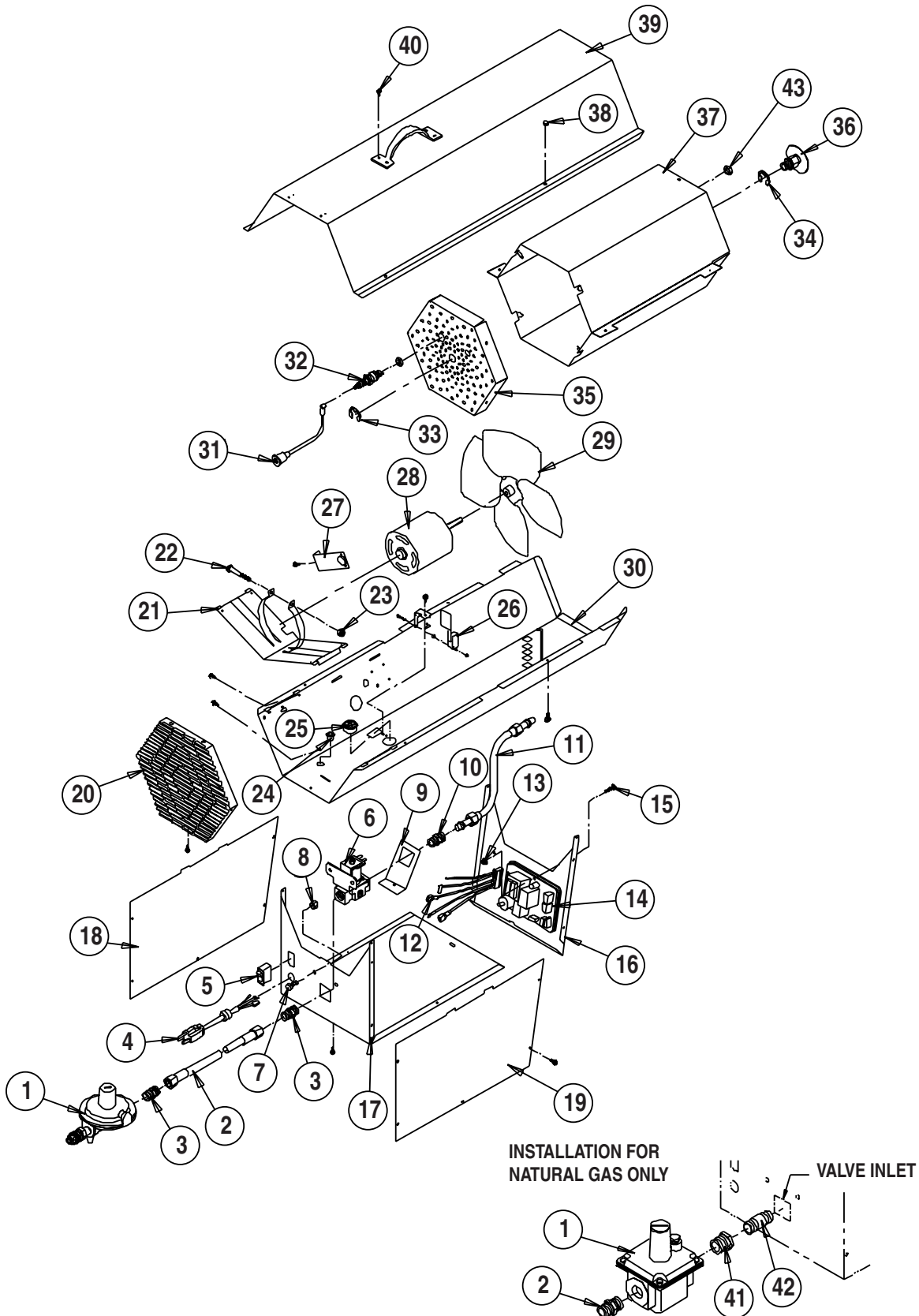


TRADESMAN

Portable Forced Air Heaters

Portable Forced Air Heaters

MODELS 292E, 296E & 298E



Portable Forced Air Heaters



PARTS IDENTIFICATION

Item	Description	Model		
		292E	296E	298E
1	Regulator	L.P. Gas----- Natural Gas	550-06772----- N/A-----	N/A 500-06713
2	Hose, 1/2In. x 10 Ft.		400-20243-----	
3	Adapter, 3/8 NPT x 1/2 NPS		310-03536-----	310-02894
4	Cord, Power		120-05795-----	
5	Switch, On/Off		120-03834-----	
6	Valve, Gas Control		400-05309-----	
7	Bolt		130-01151-----	
8	Nut		130-04955-----	
9	Bracket		220-05774-----	
10	Union		130-04786-----	
11	Tube, Manifold w/ Nuts & Sleeves		550-06723-----	
12	Harness, Wire		120-07027-----	
13	Nut, Nylon		130-05505-----	
14	Control, Direct Spark Ignition		550-07324-----	
15	Screw, Nylon		130-06476-----	
16	Case, Front		271-06218-----	
17	Case, Base & Back		271-06217-----	
18	Case, Right Panel		271-07162-----	
19	Case, Left Panel		271-06316-----	
20	Guard, Fan		220-06403-----	
21	Mount, Motor		220-06400-----	
22	Bolt		130-03140-----	
23	Nut, Self Locking		130-04955-----	
24	Bushing		130-04817-----	
25	Bushing		130-05768-----	
26	Switch, Air Proving		400-06739-----	
27	Switch Backflash		550-06687-----	
28	Motor		120-03830-----	
29	Fan		130-05686-----	
30	Case, Bottom		271-06219-----	
31	Wire, Igniter		120-09347-----	
32	Igniter w/ Nuts, Gapped		550-07160-----	
33	Ring, Retaining (Bowed)		130-05848-----	
34	Ring, Retaining (Flat)		130-05847-----	
35	Burner Plate		260-06429-----	
36	Orifice, Burner w/ Retaining Rings	550-05851	550-06685	550-06686
37	Heat Chamber Assembly (Includes Heat Chamber, Orifice & Igniter)	400-06939	400-06938	400-06940
38	Nut Acorn		130-03938-----	
39	Case Top		271-06222-----	
40	Handle (w/ Screws)		550-03941-----	
41	Bushing	--	--	130-01195
42	Nipple	--	--	130-02421
43	Nut Jam		130-05460-----	

* Not available as an assembly.