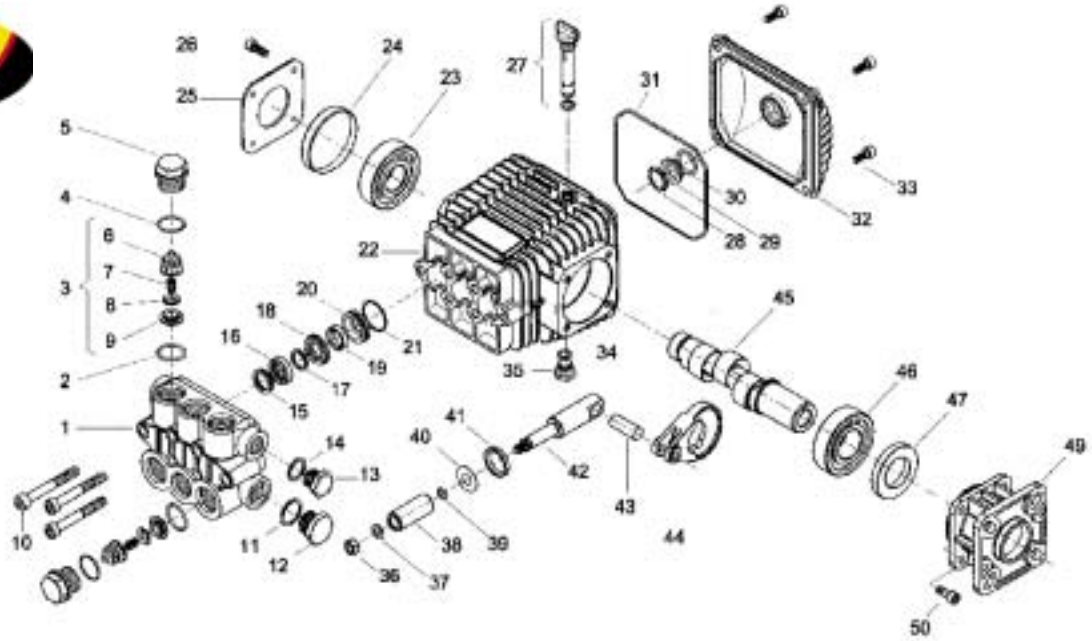


Legacy Model WMG 3/4" 2625-2530



| POS NO. | PART NO. | DESCRIPTION | KIT | NO. PCS. |
|---------|--------------|------------------------------------|--------|----------|
| 1 | 15-040119282 | Pump Head (D.15) | | 1 |
| 2 | 15-803182002 | O-Ring Dia. 2.62 x 17.13 | 124 | 6 |
| 3 | 15-049887973 | Check Valves | 124 | 6 |
| 4 | 15-803182002 | O-Ring Dia. 2.62 x 17.13 | | 6 |
| 5 | 15-070040532 | Ex. Deep Sealing Valve Cap M27x1.5 | | 6 |
| 6 | 15-040114322 | Valve Guide | 124 | 6 |
| 7 | 15-040330512 | Valve Spring | 124 | 6 |
| 8 | 15-060068512 | Valve | 124 | 6 |
| 9 | 15-040023512 | Valves Assembly Seat | 124 | 6 |
| 10 | 15-862945002 | Screw M8x60 UNI 5931 | | 6 |
| 11 | 15-824140002 | Gasket for Coupling 21.2 x 26 x 1 | | 1 |
| 12 | 15-852629002 | Plug G 1/2" | | 1 |
| 13 | 15-852579002 | Plug G 3/8 | | 1 |
| 14 | 15-824109002 | Copper Gasket Dia. 17 x 22 x 1 | | 1 |
| 15 | 15-040270322 | Seal Packer | 68, 73 | 3 |
| 16 | 15-802020002 | Packing D.15 | 68, 73 | 3 |
| 17 | 15-040269322 | Anti-Extrusion Ring | 68, 73 | 3 |
| 18 | 15-040268532 | Front Gland | 68 | 3 |
| 19 | 15-802034002 | U Pressure Seal Dia. 15 x 22 x 5.5 | 68, 73 | 3 |
| 20 | 15-040166532 | Packing Retainer | 68 | 3 |
| 21 | 15-803073002 | O-Ring Dia. 23.52 x 1.78 | 68, 73 | 3 |
| 22 | 15-040110092 | Crankcase | | 1 |
| 23 | 15-812725002 | Bearing Riv 6B 25 | | 1 |
| 24 | 15-802101002 | Cap RCA 6210 | | 1 |
| 25 | 15-050045612 | Crankcase Cover | | 1 |
| 26 | 15-862108002 | Screw M6x16 UNI 5931 | | 4 |

| POS NO. | PART NO. | DESCRIPTION | KIT | NO. PCS. |
|---------|--------------|-------------------------------------|-----|----------|
| 27 | 15-049832973 | Filler Plug | | 1 |
| 28 | 15-801184002 | Ring | | 1 |
| 29 | 15-040120322 | Oil Sight Glass | | 1 |
| 30 | 15-803189002 | O-Ring Dia. 2.62 x 18.72 | | 1 |
| 31 | 15-803210682 | O-Ring D.2.62x 120.32 | | 1 |
| 32 | 15-040117092 | Rear Cover | | 1 |
| 33 | 15-862168002 | Galvanized Screw M6x22 UNI 5931 | | 4 |
| 34 | 15-803057002 | O-Ring 2037 - 39.34 x 2.62 | | 1 |
| 35 | 15-852543502 | Cap G. 1/4 x 9 (EX852542002) | | 1 |
| 36 | 15-814561002 | Stainless Steel Nut M8 UNI 5589 | | 3 |
| 37 | 15-843642902 | Washer Dia. 8.1 x 14 x 1 | | 3 |
| 38 | 15-040010182 | Ceramic Piston Dia. 15 mm | | 3 |
| 39 | 15-803049002 | O-Ring Dia. 1.78 x 5.28 | | 3 |
| 40 | 15-843726002 | Washer Dia. 9.1 x 24 x 1 | | 3 |
| 41 | 15-802035002 | Oil Seal Dia. 15 x 24 x 5 | 64 | 3 |
| 42 | 15-040107512 | Plunger Rod | | 3 |
| 43 | 15-852003002 | Piston Pin Dia. 8 x 25 | | 3 |
| 44 | 15-040115092 | Conrod | | 3 |
| 45/1 | 15-040246262 | Hollow Crankshaft 3/4" E=3.6 (2530) | | 1 |
| 45/0 | 15-040123262 | Hollow Crankshaft 3/4" E=3 (2625) | | 1 |
| 46 | 15-812750002 | Ball Bearing 30 x 62 x 16 | | 1 |
| 47 | 15-802125502 | Shaft Oil Seal | | 1 |
| 49 | 15-040329092 | Motor Flange SAE 3/4 | | 1 |
| 50 | 15-862108002 | Screw M6x16 UNI 5931 | | 4 |

| | KIT 124 CHECK VALVE/O-RING | KIT 64 PLUNGER OIL SEAL | KIT 68 PACKING/ BRASS ASSY | KIT 73 PACKING ONLY |
|---------------|----------------------------|-------------------------|----------------------------|---------------------|
| KIT BREAKDOWN | | | | |
| PART # | 15-124 | 15-64 | 15-68 | 15-73 |
| TOTAL PCS. | 12 | 3 | 21 | 15 |