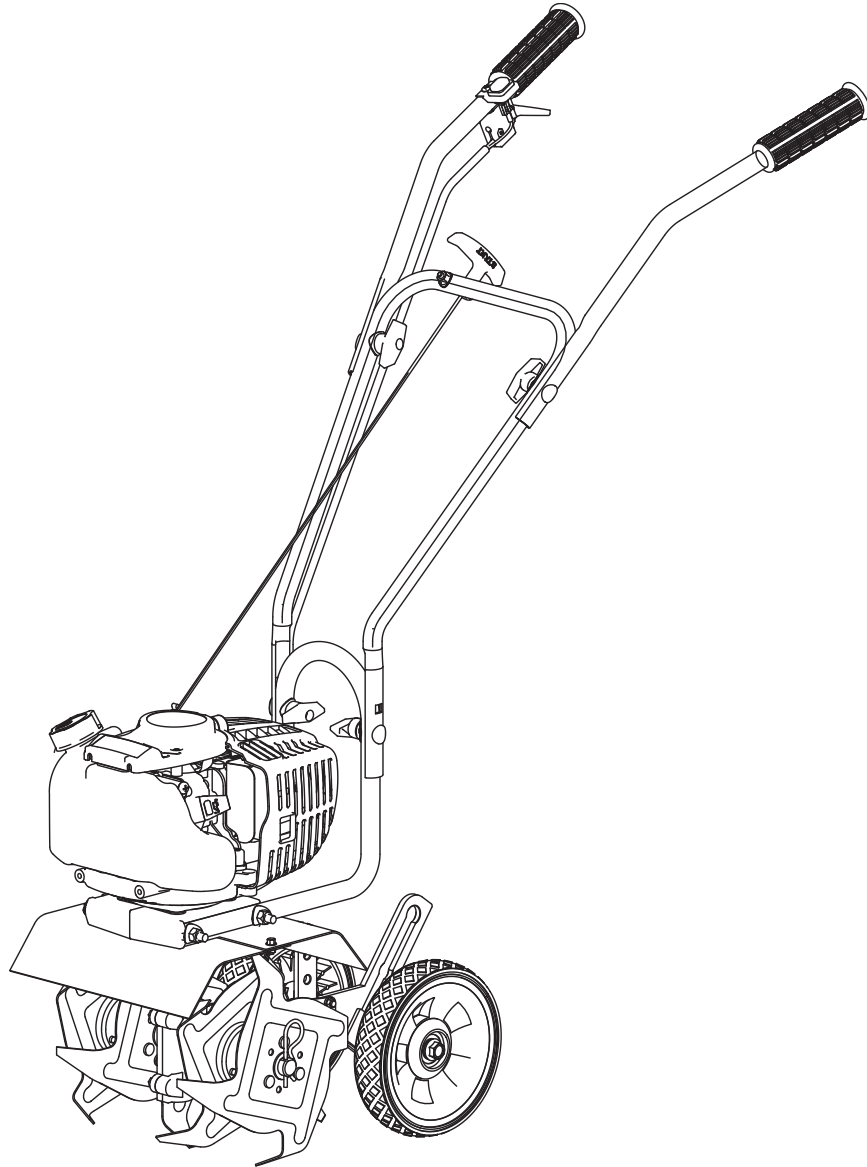




Operator's Manual
Original Operating Instructions
MC440
4-Cycle Cultivator

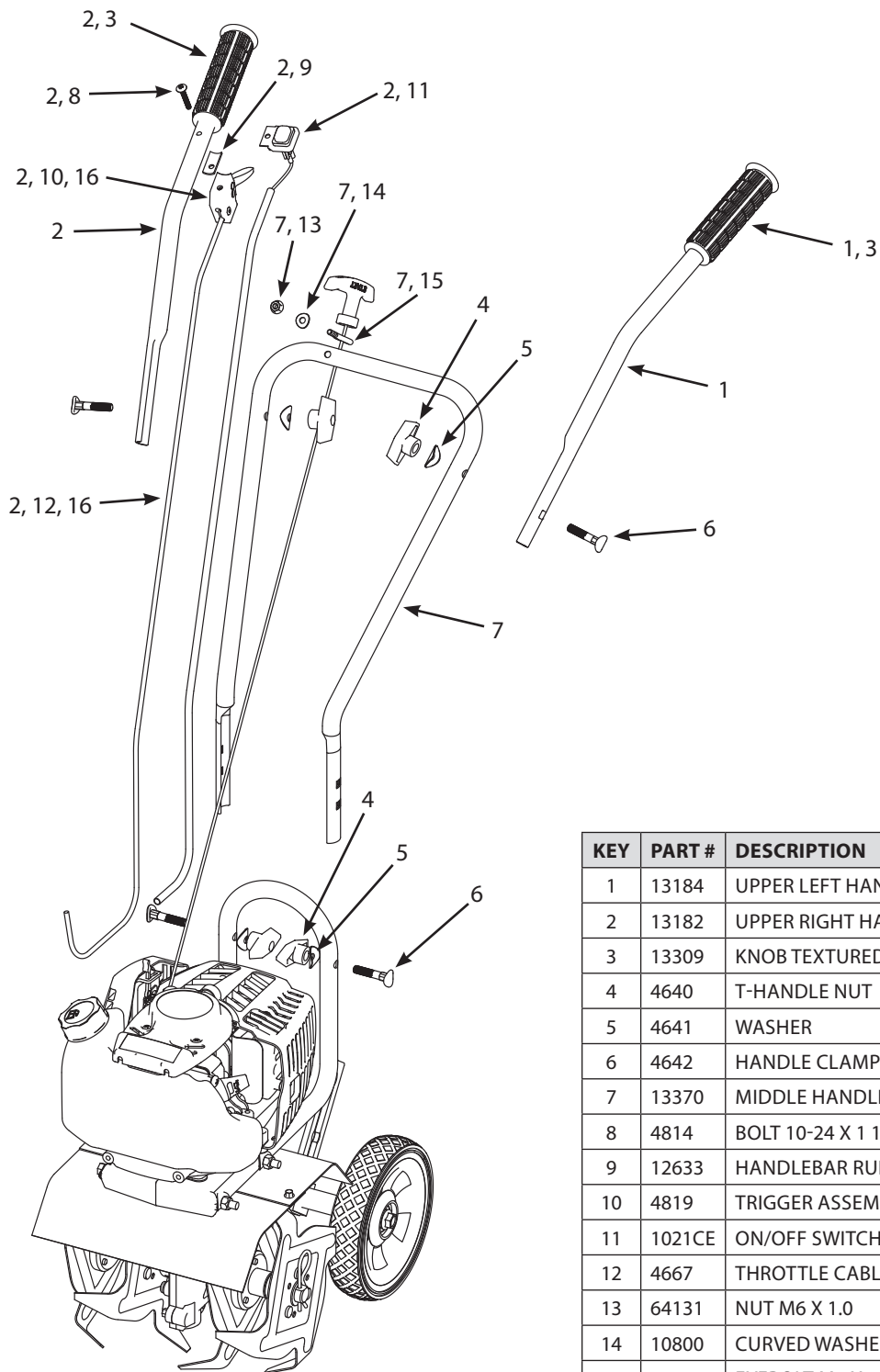


Product #: MC440



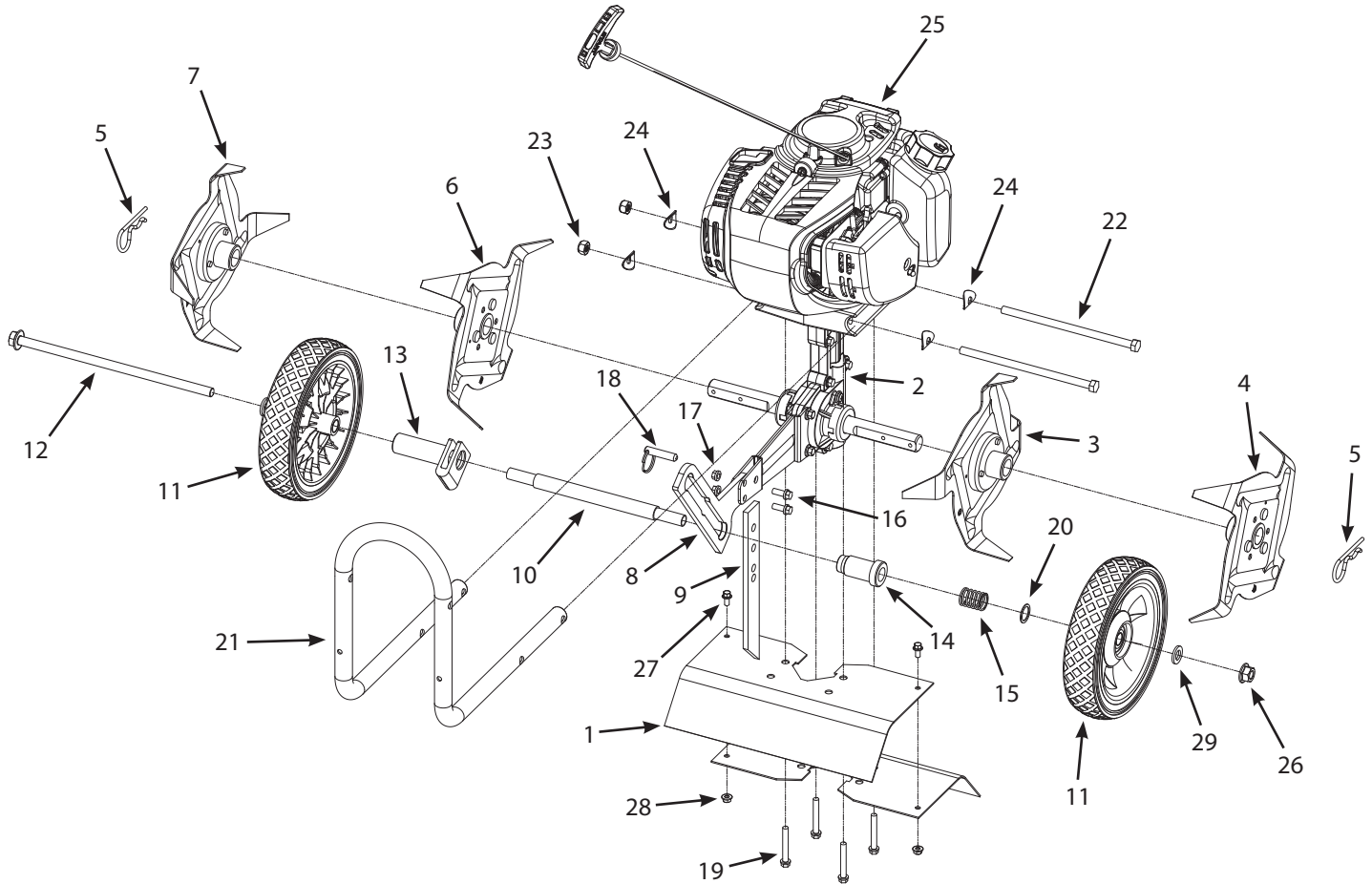
P/N: 13188
ECN: 10081
REV4: 09/10/13
© 2013 Ardisam, Inc.
All Rights Reserved

HANDLEBAR PARTS EXPLOSION



KEY	PART #	DESCRIPTION	QTY.
1	13184	UPPER LEFT HANDLEBAR ASSEMBLY GREY	1
2	13182	UPPER RIGHT HANDLEBAR ASSEMBLY GREY	1
3	13309	KNOB TEXTURED HANDLE GRIP	2
4	4640	T-HANDLE NUT	4
5	4641	WASHER	4
6	4642	HANDLE CLAMP BOLT	4
7	13370	MIDDLE HANDLEBAR ASSEMBLY GREY	1
8	4814	BOLT 10-24 X 1 1/4	1
9	12633	HANDLEBAR RUBBER PAD 15MM X 28.5MM	1
10	4819	TRIGGER ASSEMBLY LONG	1
11	1021CE	ON/OFF SWITCH WIRE ASSY	1
12	4667	THROTTLE CABLE	1
13	64131	NUT M6 X 1.0	1
14	10800	CURVED WASHER M6	1
15	400025	EYEBOLT M6 X 12 X 25	1
16	13804	THROTTLE TRIGGER KIT WITH CABLE	1

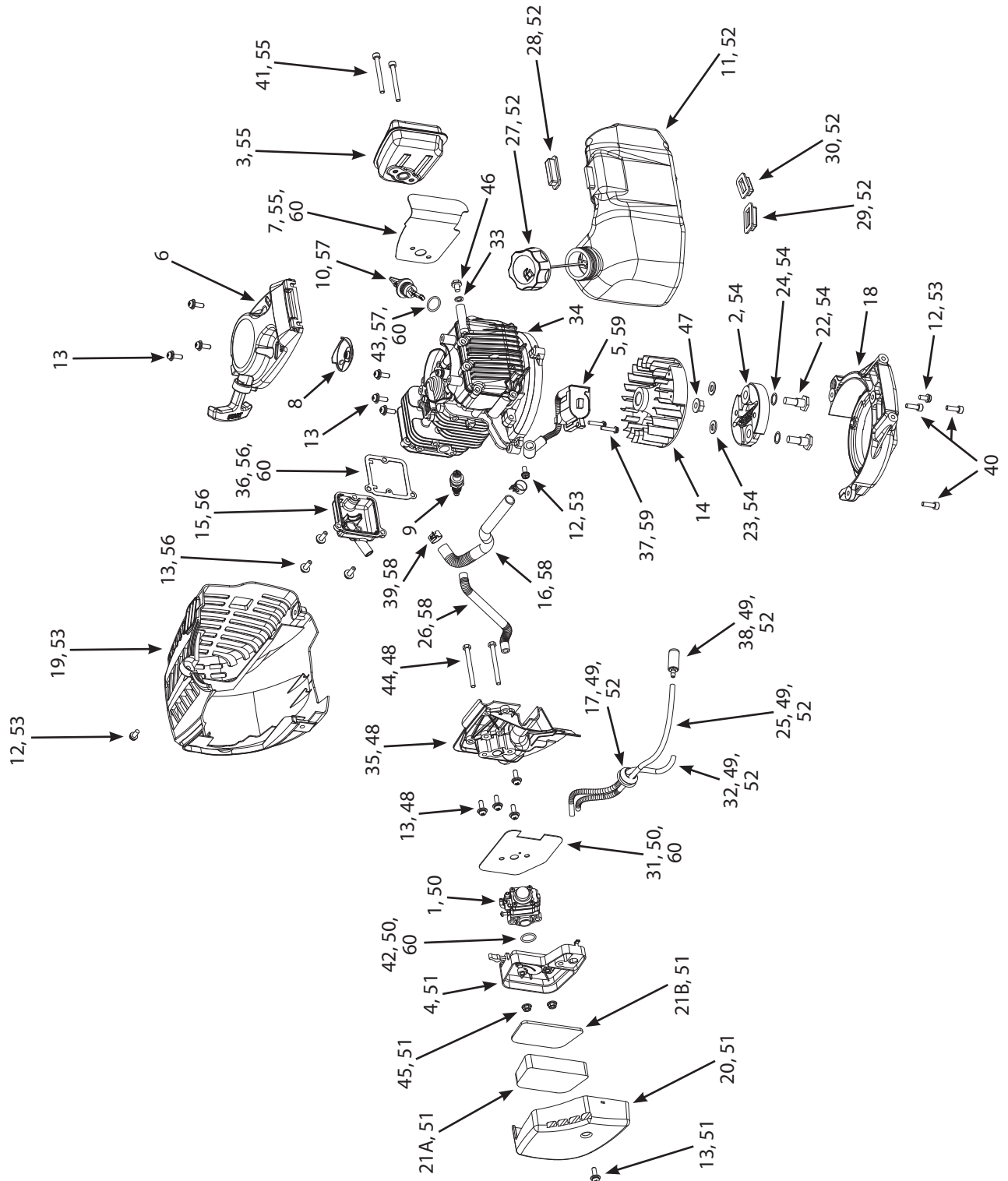
HOOD & TINES PARTS EXPLOSION



KEY	PART #	DESCRIPTION	QTY.
1	46146	TINE SHIELD	2
2	46138	TRANSMISSION ASSEMBLY	1
3	4602	TINE -C- ASSEMBLY	1
4	4604	TINE -D- ASSEMBLY	1
5	4652	HAIRPIN 5/8-3/4	2
6	4603	TINE -B- ASSEMBLY	1
7	4601	TINE -A- ASSEMBLY	1
8	4673	WHEEL HOLDER	1
9	4600	DRAG STAKE	1
10	4674	TUBE WHEEL AXLE	1
11	13189	WHEEL 180 X 38MM DIAMOND TREAD GREY HUB	2
12	4687	BOLT M10 X 1.5 X 225 MM	1
13	4678	TUBE WHEEL GUIDE	1
14	4684	TUBE WHEEL LOCK	1
15	4685	SPRING WHEEL LOCK	1

KEY	PART #	DESCRIPTION	QTY.
16	46142	BOLT M6 X 1.0 X 20	2
17	4650	NUT M6 X 1.0	2
18	46145	PIN QUICK-RELEASE M8 X 25	1
19	4625	BOLT M6 X 1.0 X 42 FLANGE	4
20	13230	WASHER 21MM X 16MM X 1MM	1
21	12811	LOWER HANDLEBAR	1
22	46141	BOLT M8 X 1.25 X 160MM	2
23	400023	NUT M8 NYLOCK	2
24	4641	CURVED WASHER M8	4
25	11614	ENGINE 40CC 4 CYCLE OHV	1
26	13048	NUT M10 X 1.5	1
27	176	BOLT M5 X 0.8 X 10	2
28	400020	NUT M5 X 0.8 TOPLCK	2
29	2431	FLAT WASHER M10 X 20 X 2	2

ENGINE PARTS EXPLOSION



ENGINE PARTS LIST

KEY NO.	PART NO.	DESCRIPTION	QTY.
1	13192	CARBURETOR	1
2	300413	ASSY CENTRIFUGAL CLUTCH ROTOR VIPER	1
3	13200*	MUFFLER	1
4	13238	INTAKE BASE ASSEMBLY	1
5	13242*	IGNITION COIL	1
6	13194	RECOIL ASSEMBLY	1
7	13202*	HEAT SHIELD MUFFLER	1
8	13244	RECOIL CLUTCH	1
9	13243	SPARK PLUG NGK CMR6A	1
10	13196*	OIL CAP	1
11	13195	GAS TANK	1
12	300471	BOLT WITH WASHER M5 X 0.8 X 12MM	3
13	10887	BOLT M5 X 0.8 X 16MM PPH W/ WASHER	14
14	13241	FLYWHEEL	1
15	13321*	VALVE COVER	1
16	13317*	HOSE VALVE COVER BREATHER	1
17	300494	GROMMET FUEL TANK TWO HOLE	1
18	13239	MOUNT RING AND SHROUD	1
19	13193*	SHROUD ENGINE	1
20	13197	AIR FILTER COVER	1
21A	13198	AIR FILTER	1
21B	17078	AIR FILTER FIBER	1
22	300450	BOLT M8 X 1.25 X 25MM SHOULDER 10MM	2
23	300462	WASHER 15.8 X 8.4 X 1.6MM	2
24	300449	WASHER M8 SPRING	2
25	13306	FUEL LINE CUT TO 275MM	1
26	13318*	CRANKCASE BREATHER	1
27	13352	GAS CAP COMPLETE 4 CYCLE EPA SELF VENT	1
28	13295	RUBBER GAS TANK HOLDER TOP	1
29	13296	RUBBER TANK HOLDER BOTTOM LEFT	1
30	13297	RUBBER TANK HOLDER BOTTOM RIGHT	1
31	13299*	CARBURETOR GASKET	1

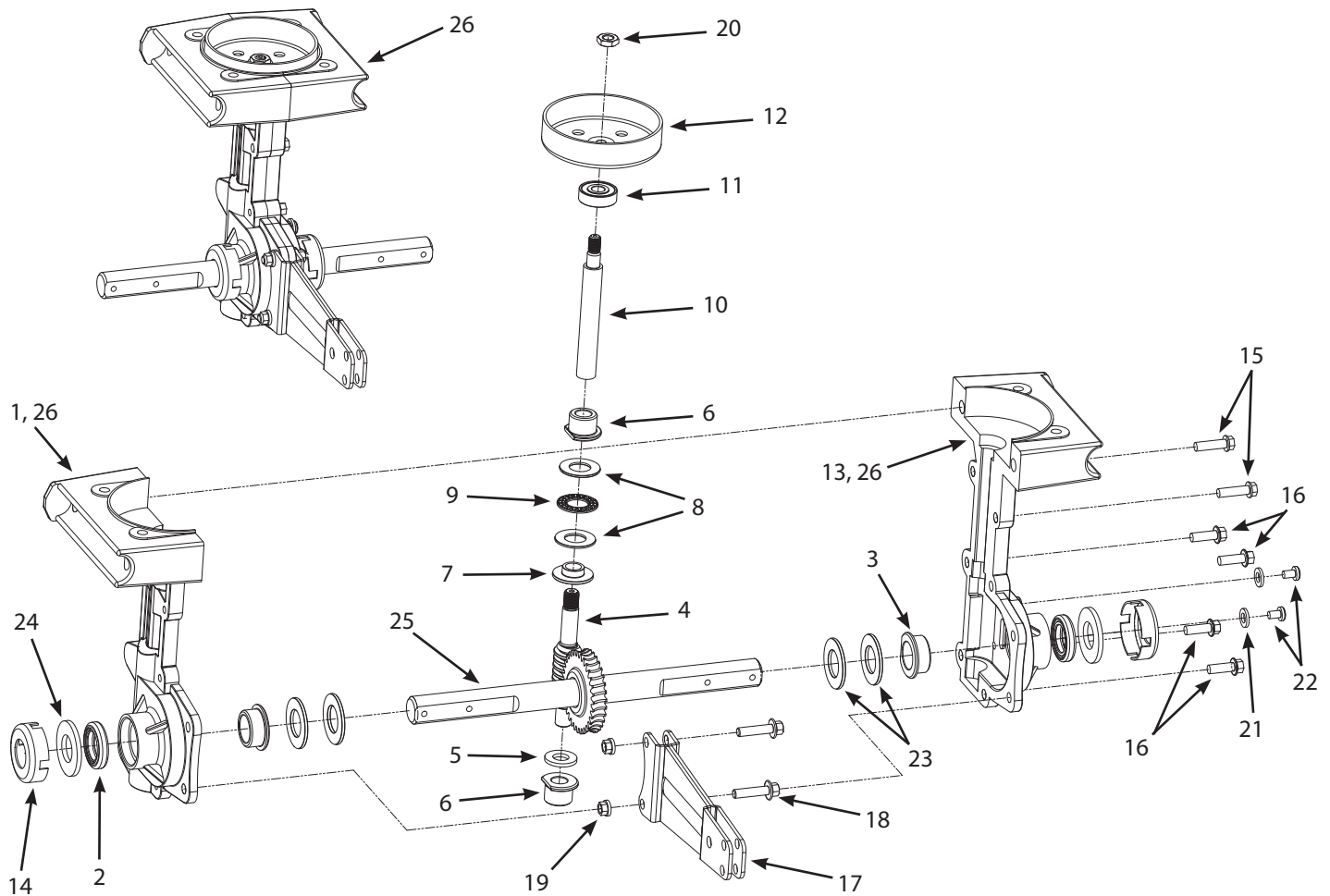
KEY NO.	PART NO.	DESCRIPTION	QTY.
32	13307	FUEL LINE CUT TO 195MM	1
33	13320	WASHER M6 X 10MM X 1MM	1
34	13322	ENGINE BLOCK	1
35	13328	CARBURETOR INSULATOR	1
36	13324*	GASKET VALVE COVER	1
37	13325	BOLT M4 X 0.7 X 20MM PPH WITH WASHER	2
38	3004103	FUEL FILTER POROUS PLASTIC ALUMINUM CORE	1
39	13395*	HOSE CLAMP 13.5MM	2
40	W1200123	BOLT M5 X 0.8 X 16	3
41	13181	BOLT M5 X 0.8 X 50MM	2
42	13330*	O-RING 15 X 18.6 X 1.8MM	1
43	13392*	O-RING 15.6 X 19.16 X 1.78MM	1
44	13332	BOLT M5 X 0.8 X 55	2
45	400020	NUT M5 X 0.8 TOPLCK HHF GR 8.8	2
46	13449	BOLT M6 X 1.0 X 8MM X 12MM	1
47	300337	NUT M8 X 1.25MM	1

ENGINE PART KITS LIST

KEY NO.	PART NO.	DESCRIPTION	QTY.
48	13390	CARBURETOR BRACKET KIT	1
49	13308	FUEL LINES KIT	1
50	13329	CARBURETOR KIT	1
51	13363	AIR FILTER KIT	1
52	13388	GAS TANK KIT WITH FUEL LINE	1
53	13389	ENGINE SHROUD KIT	1
54	11235	CLUTCH KIT 76.76MM OD VIPER	1
55	13391	MUFFLER KIT	1
56	13298	VALVE COVER KIT	1
57	13393	OIL CAP KIT WITH O-RING	1
58	13394	BREATHER HOSES KIT	1
59	13400	IGNITION COIL KIT	1
60	13066	GASKETS KIT	1

* Available as Kit only.

TRANSMISSION PARTS EXPLOSION



KEY	PART #	DESCRIPTION	QTY.
1	46136*	MC LOWER TRANSMISSION CASTING LEFT	1
2	4646	SEAL SHAFT 19MM SHAFT 32MM BORE	2
3	4645	BUSHING M19 ID X 25.5OD D-PROFILE FLANGE	2
4	4613	WORM	1
5	4616	SPACER BUSHING 22 X 11.05 X 2.413MM	1
6	4614	BUSHING M11 ID X 19OD D-PROFILE FLANGED	2
7	4617	THRUST REDUCER BEARING M11 X 15OD FLANGE	1
8	4618	THRUST WASHER 28 X 15 X 1.5MM	2
9	4619	THRUST BEARING 28 X 15 X 2MM	1
10	46137	DRIVE SHAFT	1
11	4623	BALL BEARING 9MM X 26MM DOUBLE SEALED	1
12	300414	CLUTCH DRUM ASSEMBLY 77.7MM	1
13	46135*	MC LOWER TRANSMISSION CASTING RIGHT	1

KEY	PART #	DESCRIPTION	QTY.
14	46144	DUST CAP	2
15	4648	BOLT M6 X 1.0 X 22 FLANGE	2
16	4647	BOLT M6 X 1.0 X 18 FLANGE	4
17	4633	WHEEL AND DRAG MOUNT	1
18	4649	BOLT M6 X 1.0 X 25	2
19	4650	NUT M6 X 1.0	2
20	4620	NUT M8 X 1.25	1
21	W1200117	FLAT WASHER M6 X 13 X 1.75	2
22	13447	BOLT M6 X 1.0 X 8MM	2
23	4610	SHIM TINE SHAFT 35MM X 19MM X 2.2MM	4
24	4606	FIBER WASHER 38 X 19 X 3.2MM	2
25	4651	SHAFT TINE ASSEMBLY	1
26	46138	TRANSMISSION ASSEMBLY	1

* Available as Assembly or Kit Only