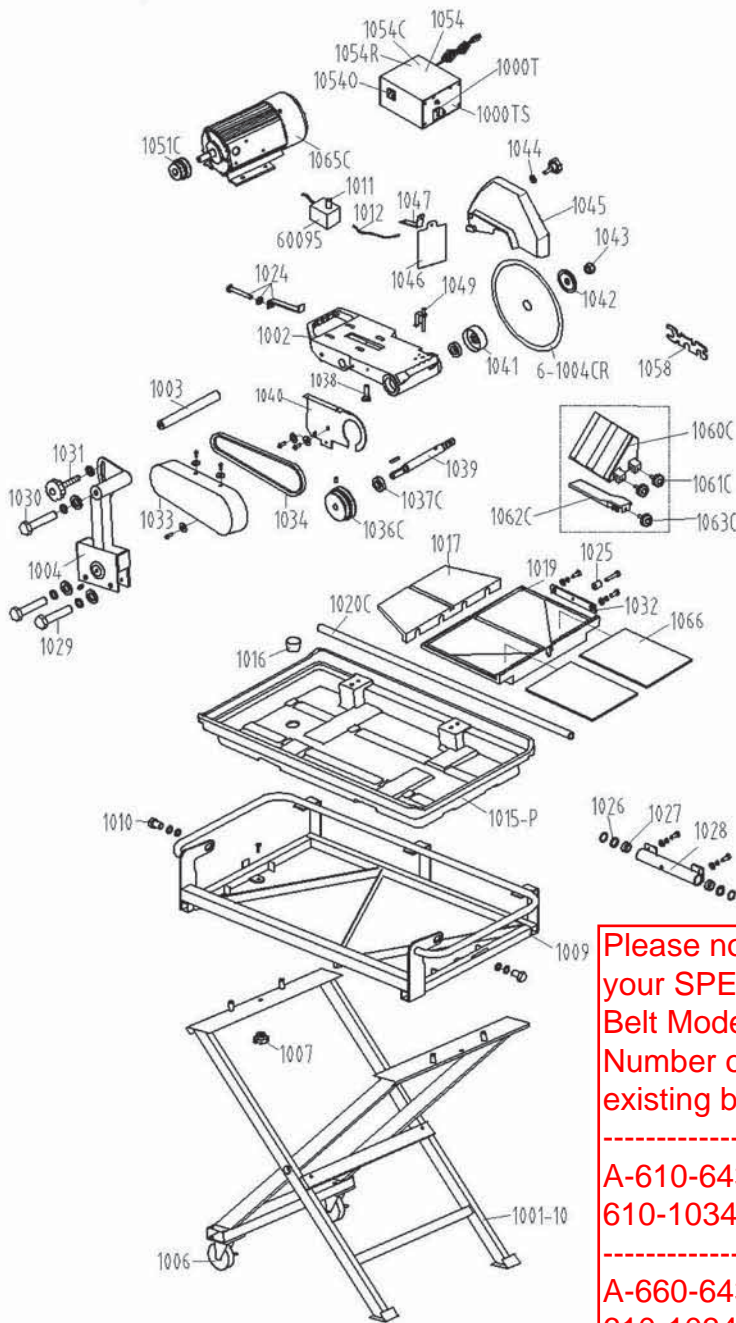




# No. 60010 Brutus 18" Tile Saw



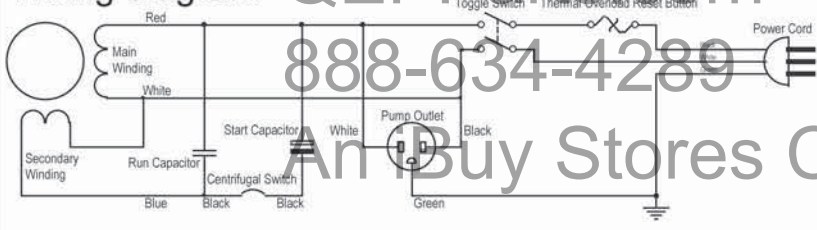
Please note your SPECIFIC Belt Model Number on your existing belt:

-----  
A-610-643Ld = 610-1034

-----  
A-660-643Ld = 610-1034A

| DESCRIPTION                           | NO.         |
|---------------------------------------|-------------|
| Replacement Motor                     | 610-0000    |
| Toggle Switch                         | 610-1000T   |
| Face Plate for Switch                 | 610-1000TS  |
| Folding Saw Stand on Wheels           | 610-1001-10 |
| Motor Base                            | 610-1002    |
| Motor Support Shaft                   | 610-1003    |
| Motor Support Arm                     | 610-1004    |
| Bolts on Motor(4) (Not Shown)         | 610-1005    |
| Wheel w/ Brake                        | 610-1006    |
| Stand / frame Attachment Knobs(2)     | 610-1007    |
| Fan (Not Shown)                       | 610-1008C   |
| Saw Frame                             | 610-1009    |
| Adjustable Screw - tray               | 610-1010    |
| Water Valve                           | 610-1011    |
| Water Pump Tubing                     | 610-1012    |
| Water Tray (Plastic)                  | 610-1015-P  |
| Drain Plug                            | 610-1016    |
| Extension Table                       | 610-1017    |
| Cutting Table                         | 610-1019    |
| Rail                                  | 610-1020C   |
| Screw & Nut for the Extension Table   | 610-1022    |
| Motor Adjustment Clip w/Bolt & Washer | 610-1024    |
| Cutting Table Roller                  | 610-1025    |
| Grease Seals (2)                      | 610-1026    |
| Guide Tube Align Washers (2)          | 610-1027    |
| Lubricated Guide Tube & Bolts         | 610-1028    |
| Rear Support Post Nuts & Bolts        | 610-1029    |
| Motor Support Shaft Bolt & Washer     | 610-1030    |
| Rear Support Post Knob & Washer       | 610-1031    |
| Roller Washer                         | 610-1032    |
| Belt Guard                            | 610-1033    |
| "A" Belt                              | 610-1034    |
| Blade Shaft Pulley                    | 610-1036C   |
| Blade Shaft Bear (2)                  | 610-1037C   |
| Blade Shaft Lock Pin                  | 610-1038    |
| Blade Shaft                           | 610-1039    |
| Belt Inner Guard                      | 610-1040    |
| Inner Flange                          | 610-1041    |
| Outer Flange                          | 610-1042    |
| Shaft Nut                             | 610-1043    |
| Blade Guard Knob & Washer & Shaft     | 610-1044    |
| Blade Guard                           | 610-1045    |
| Back Splash Guard                     | 610-1046    |
| Attachment Bracket                    | 610-1047    |
| Y-Water Feed                          | 610-1048    |
| Blade Shaft Lock Pin Support          | 610-1049    |
| Motor Pulley                          | 610-1051C   |
| Power Reset Button Housing            | 610-1054    |
| Run Capacitor                         | 610-1054C   |
| Water Pump Outlet                     | 610-1054O   |
| Thermal Overload Reset Button         | 610-1054R   |
| Start Capacitor                       | 610-1054S   |
| Wrench                                | 610-1058    |
| 45° Miter Block                       | 610-1060    |
| Miter Block Adjustment Knob           | 610-1061C   |
| Rip Guide                             | 610-1062C   |
| Rip Guide Adjustment Knobs            | 610-1063C   |
| Centrifugal Switch (not shown)        | 610-1064    |
| Fan Cover                             | 610-1065C   |
| Rubber Mats for Cutting Tabel (2)     | 610-1066    |
| Blade 10"                             | 6-1004CR    |
| Water Pump                            | 60095       |

## Wiring diagram



QEPParts.com

888-634-4289

An Buy Stores Company