

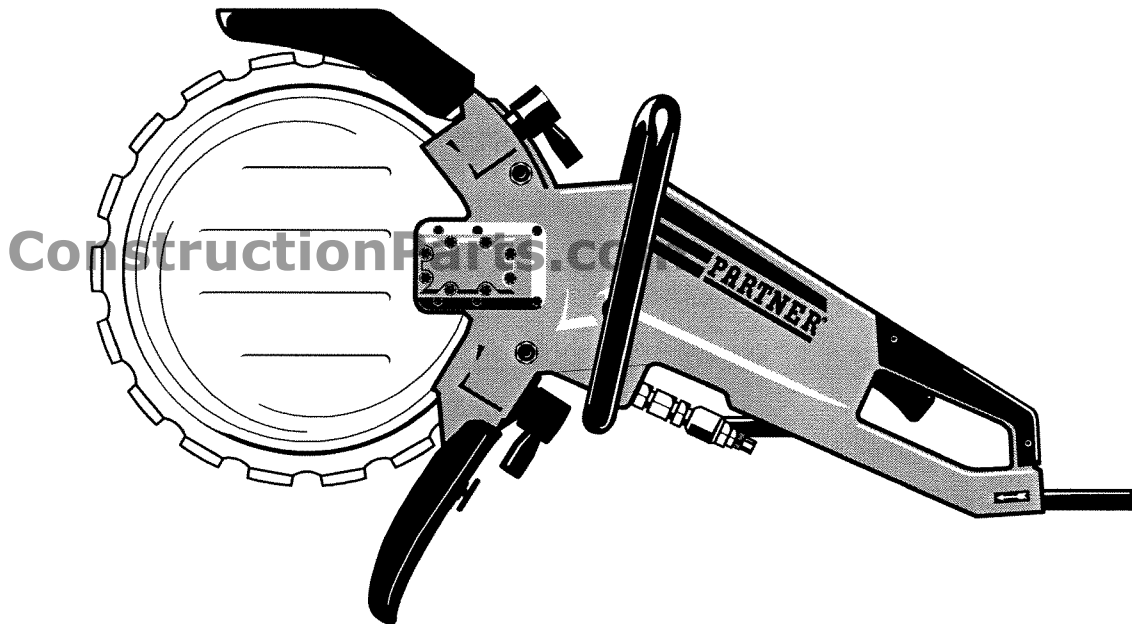
PARTNER

888-634-4289

Illustrated Parts List 2001-06 CD

K 3500

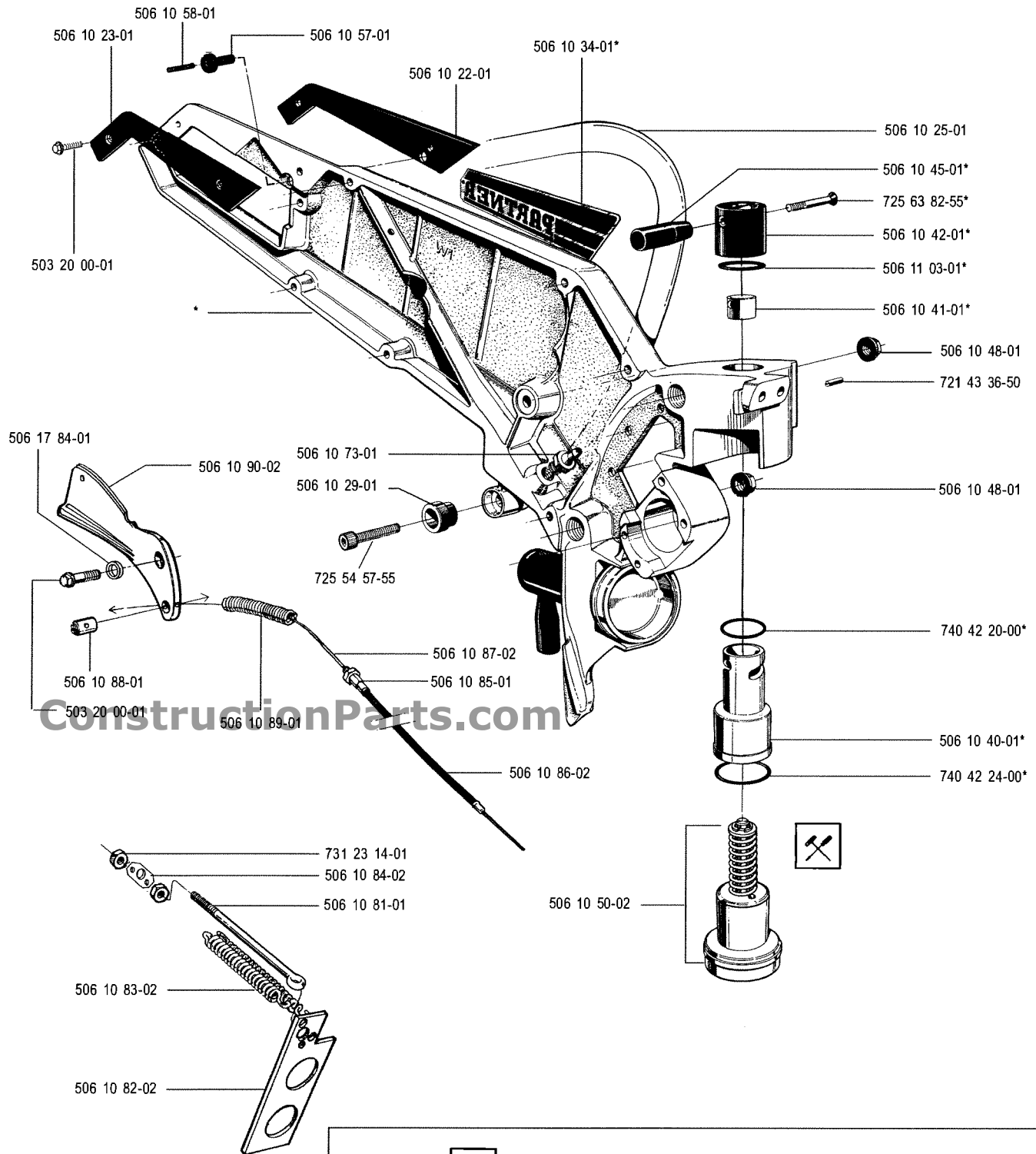
1987-1999



108 30 00-71

ConstructionParts.com

888-634-4289 **PARTNER**[®]



NEW parts should be used on all K3500.

18 pcs/st
506 10 55-01



506 21 22-01



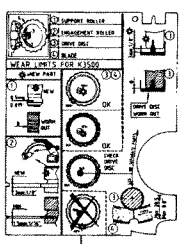
506 21 39-01

40 L

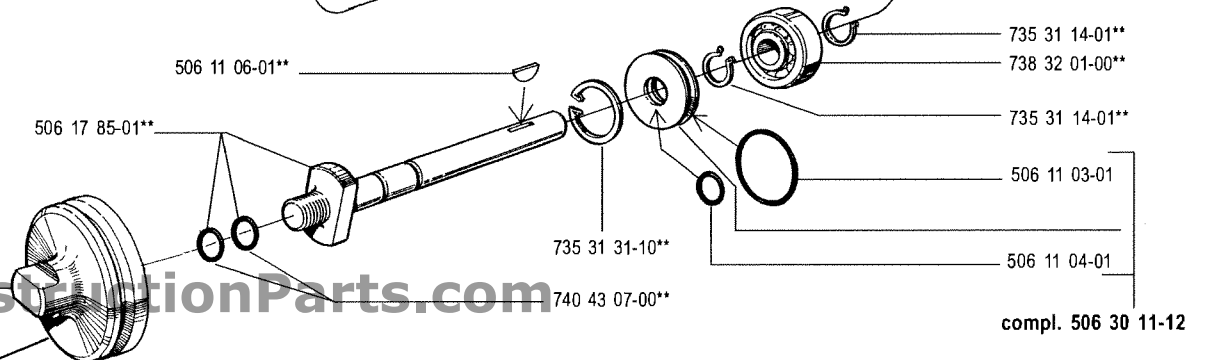
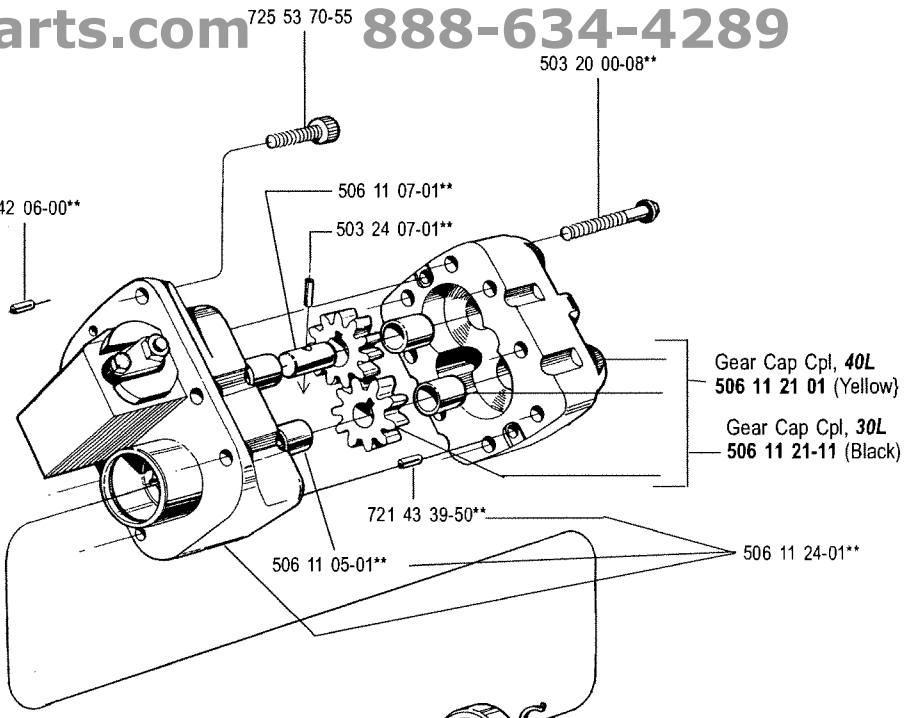
** = 506 10 02-01
Motor compl. (Yellow cap)

30 L

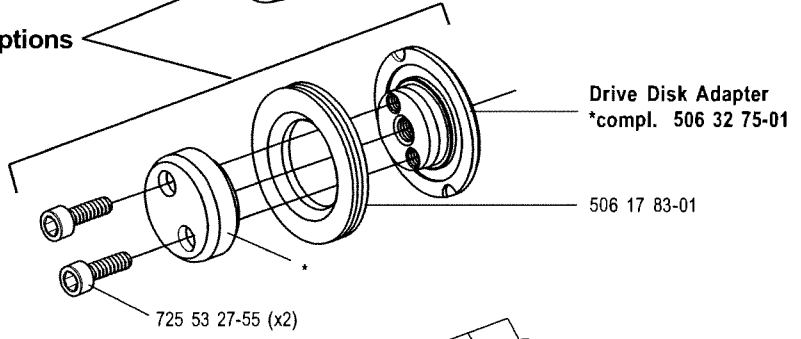
** = 506 10 02-11
Motor compl. (Black cap)



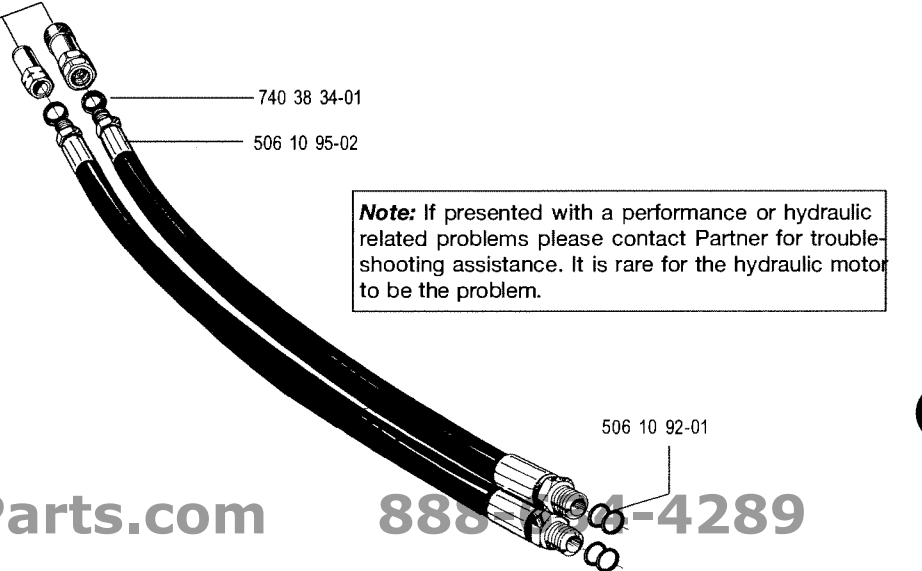
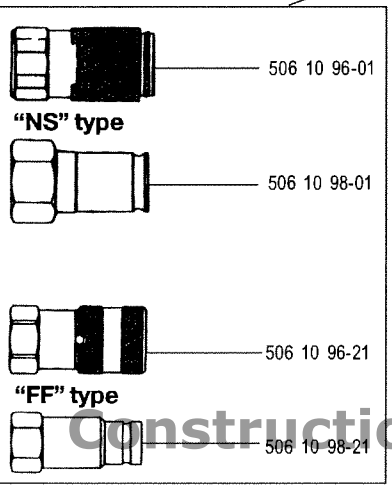
107 72 85-01 English
107 72 85-02 Deutsch
107 72 85-03 French



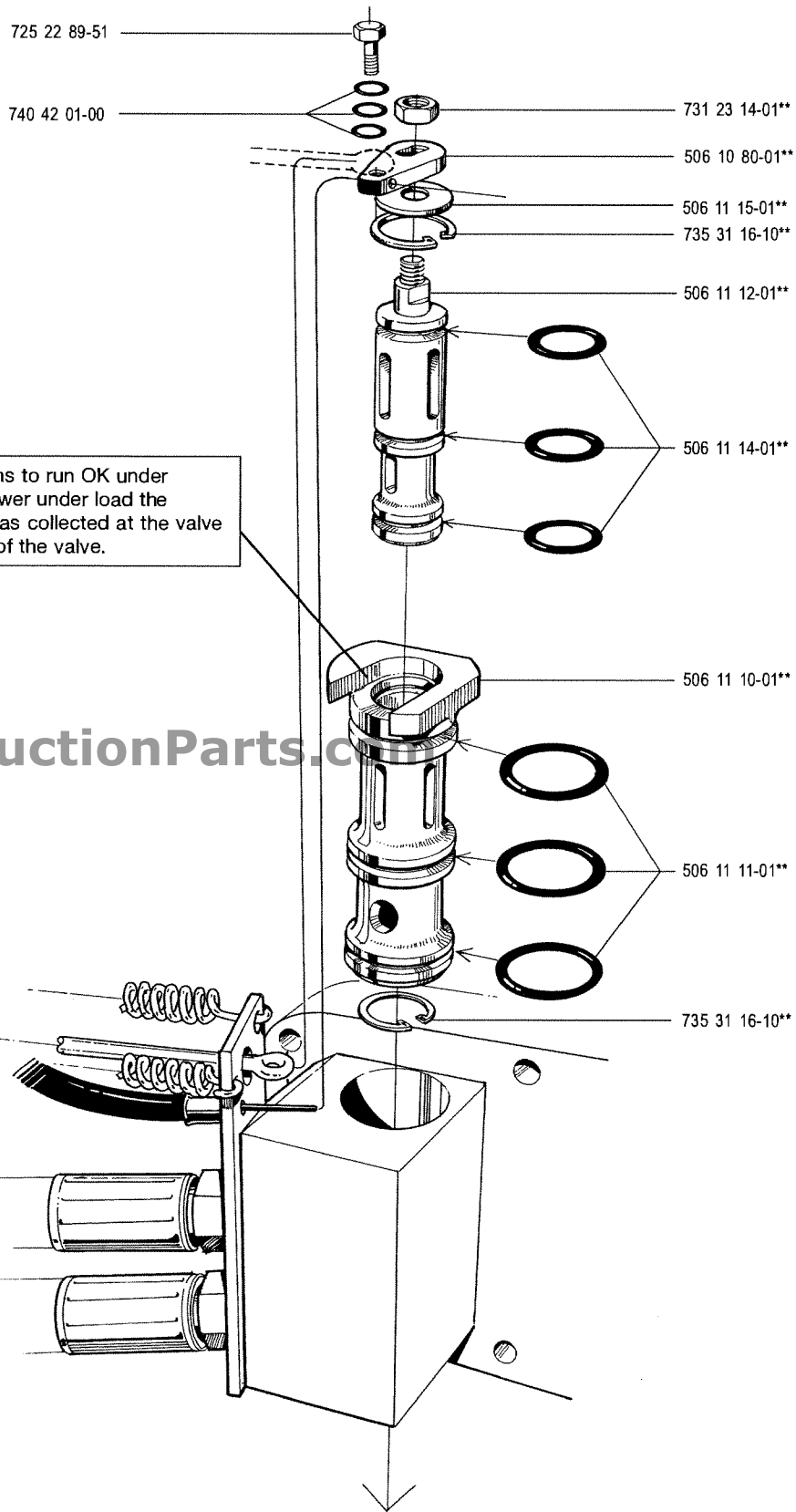
Options



The drive disk adapter eliminates the need for separate drive disks for the K3500 and K3600. With the drive disk holder in place we recommend using the K3600 Ringblade series.

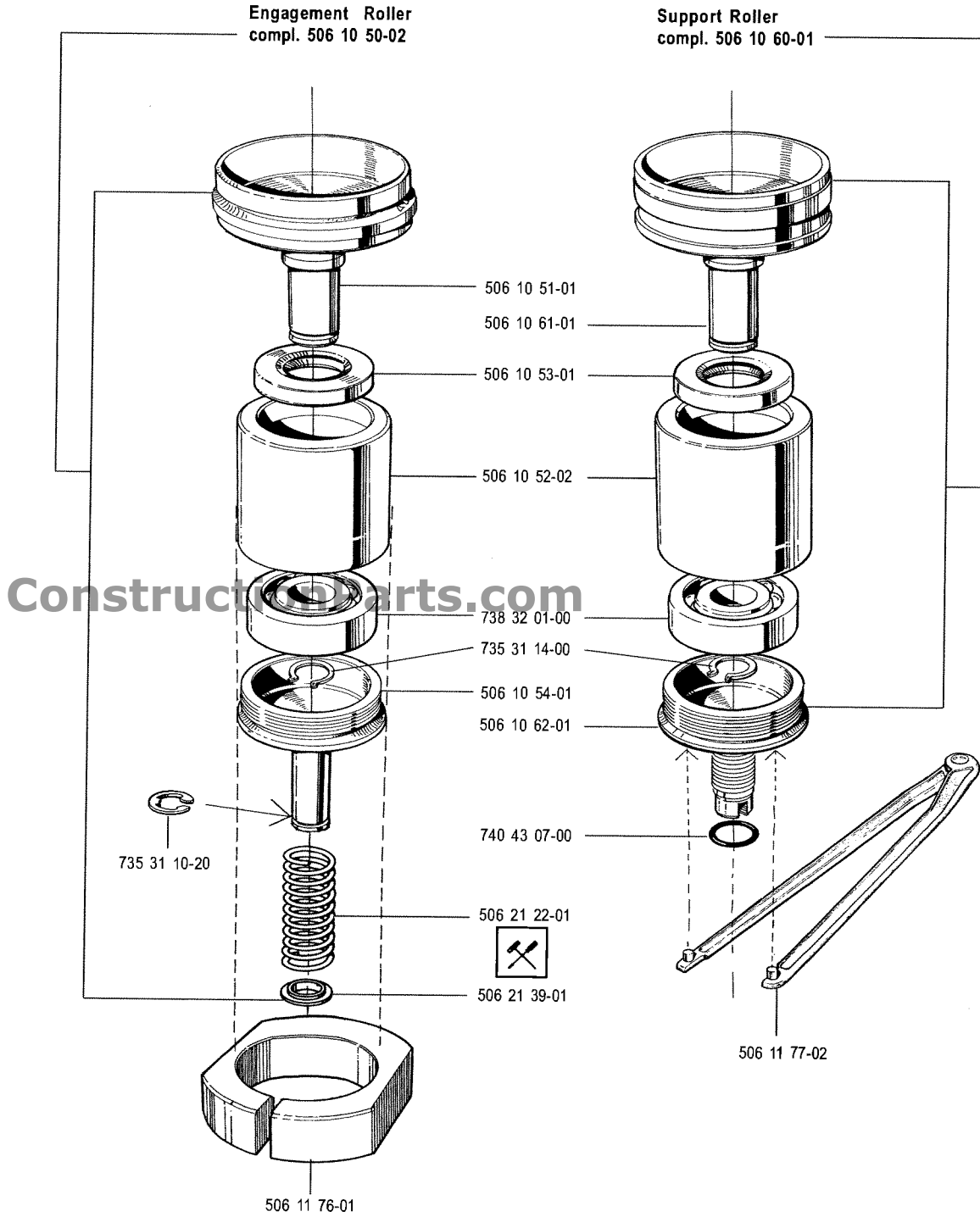


Note: If presented with a performance or hydraulic related problems please contact Partner for troubleshooting assistance. It is rare for the hydraulic motor to be the problem.

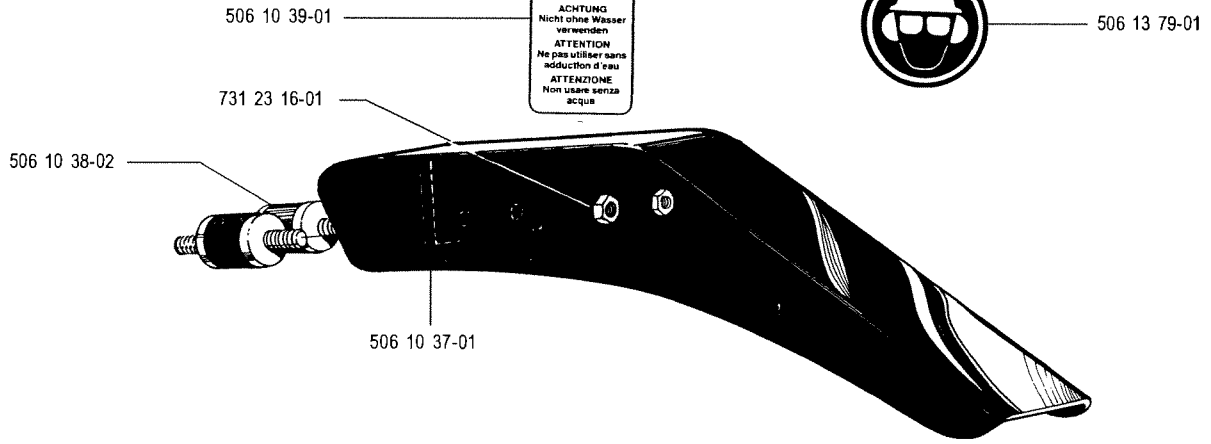


Note: If the RingSaw seems to run OK under No Load but is lacking power under load the problem can be dirt that has collected at the valve preventing full movement of the valve.

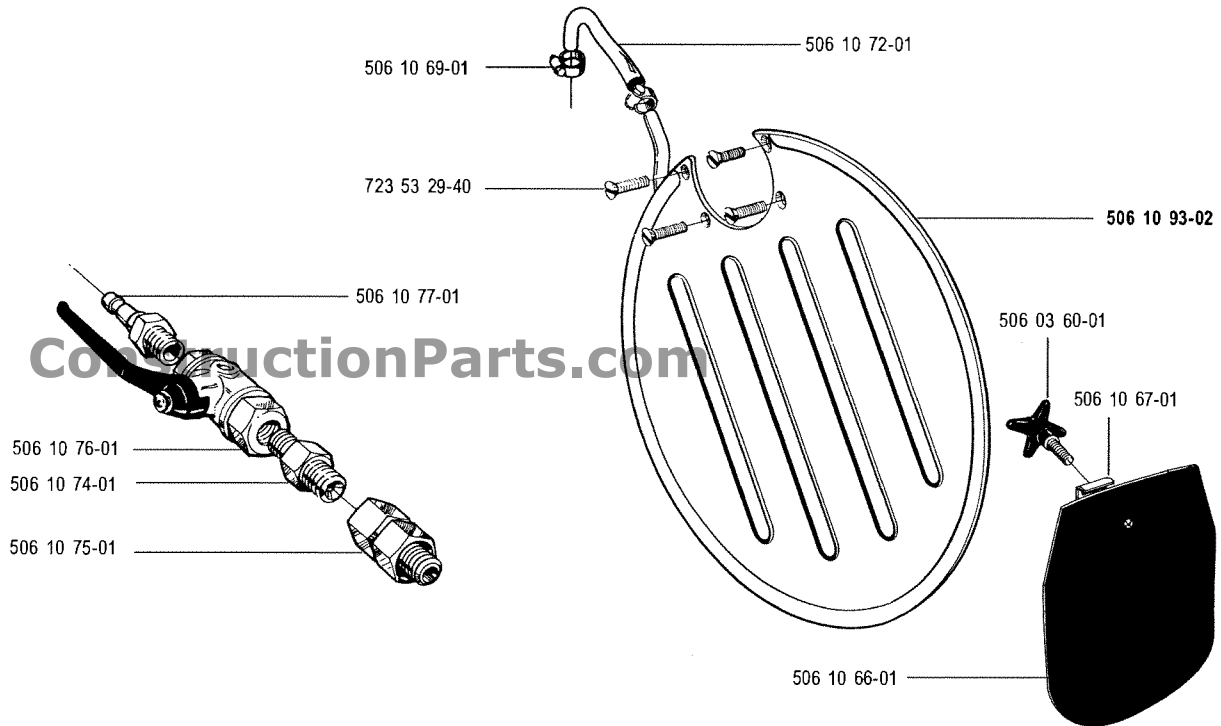
ConstructionParts.com



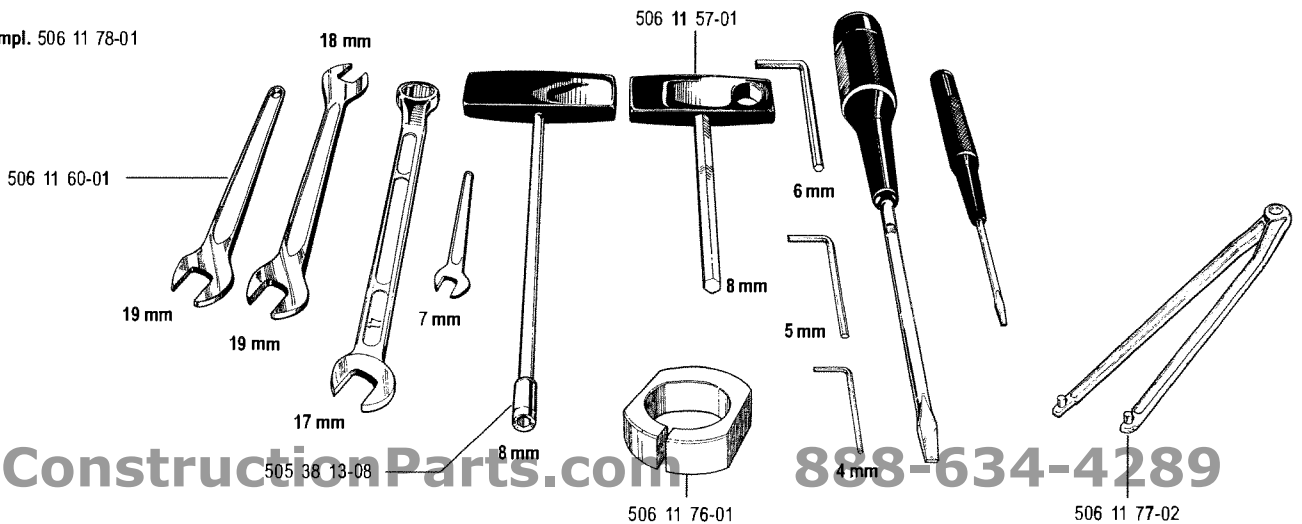
WARNING
Do not use without
water
WARNING
För ej användas
utan vatten
ACHTUNG
Nicht ohne Wasser
verwenden
ATTENTION
Ne pas utiliser sans
adduction d'eau
ATTENZIONE
Non usare senza
acqua



G



H compl. 506 11 78-01



No.	Pos.	Denomination	No.	Pos.	Denomination	No.	Pos.	Denomination
107 72 85-01	C	Wear limit guide	506 10 72-01	G	Water tube	506 17 83-01	C	Drive disk (K3600)
107 72 85-02	C	Wear limit guide	506 10 73-01	B	Hose fitting	506 17 84-01	B	Bushing
107 72 85-03	C	Wear limit guide	506 10 74-01	G	Fitting	506 17 85-01	C	Shaft
503 20 00-01	B	Screw M5x20	506 10 75-01	G	Fitting	506 21 22-01	B,E	Coil spring
503 20 00-08	A,C	Screw M5x30	506 10 76-01	G	Water valve	506 21 39-01	B,E	Washer
503 24 07-01	C	Pin B27	506 10 77-01	G	Water fitting	506 30 11-12	C	Shaft seal
505 38 13-08	H	Wrench 8 mm	506 10 80-01	D	Lever	506 32 75-01	C	Drive disk adapter
506 03 60-01	G	Knob	506 10 81-01	B	Bolt	721 42 06-00	C	Pin
506 10 02-01	C	Motor compl., 40L (10 gal.)	506 10 82-02	B	Plate	721 43 36-50	B	Roll pin
506 10 02-11	C	Motor compl., 30L (8 gal.)	506 10 83-02	B	Spring	721 43 39-50	C	Pin 6x20
506 10 21-01	A	Right body cover	506 10 84-02	B	Clip	723 53 29-40	G	Flat head screw
506 10 22-01	B	L. handle cover	506 10 85-01	B	Cable cover fastener	725 22 89-51	D	Bolt
506 10 23-01	B	R. handle cover	506 10 86-02	B	Cable sleeve	725 53 27-55	C	Screw
506 10 24-01	C	Drive disk	506 10 87-02	B	Trigger cable	725 53 70-55	C	Bolt
506 10 25-01	B	Front handle	506 10 88-01	B	Cable retainer	725 54 57-55	B	Bolt
506 10 29-01	B	Bushing	506 10 89-01	B	Trigger spring	725 63 82-55	B	Screw 6x60
506 10 31-01	A	Threaded bushing	506 10 90-02	B	Trigger	731 23 14-01	B,D	Nut
506 10 32-01	A	Support roller casing	506 10 92-01	C	O-ring	731 23 16-01	E	Nut
506 10 33-01	A	Bolt	506 10 93-02	G	Water disk	735 31 10-20	E	Snap ring
506 10 34-01	B	Partner decal for K3500	506 10 95-02	C	Hose	735 31 14-00	C,E	Snap ring B84
506 10 35-01	A	Decal "K3500"	506 10 96-01	C	Coupler 3/8" (female) NS, BSP	735 31 16-10	D	Snap ring
506 10 37-01	F	Blade guard	506 10 96-21	C	Coupler 3/8" (female) FF, BSP	735 31 31-10	C	Snap ring
506 10 38-02	F	Guard hinge	506 10 98-01	C	Coupler 3/8" (male) NS, BSP	738 32 01-00	C,E	Ball bearing
506 10 39-01	F	Decal	506 10 98-21	C	Coupler 3/8" (male) FF, BSP	740 38 34-01		Washer 3/8"
506 10 40-01	B	Roller casing	506 11 03-01	B,C	O-ring	740 42 01-00	D	O-ring
506 10 41-01	B	Spacer	506 11 04-01	C	O-ring	740 42 20-00	B	O-ring
506 10 42-01	B	Cover	506 11 05-01	C	Bushing	740 42 24-00	A,B	O-ring
506 10 45-01	B	Roller handle	506 11 06-01	C	Shaft key	740 43 07-00	C,E	O-ring
506 10 46-01	A	O-ring	506 11 07-01	C	Motor shaft			
506 10 47-01	A	Adjustment bushing	506 11 10-01	D	Outer spool			
506 10 48-01	A,B	Nut	506 11 11-01	D	O-ring			
506 10 50-02	B,E	Engagem. roller assy	506 11 12-01	D	Inner spool			
506 10 51-01	E	Engagement roller	506 11 14-01	D	O-ring			
506 10 52-02	E	Roller housing	506 11 15-01	D	Washer			
506 10 53-01	E	Seal	506 11 21-01	C	Motor top compl., 40L (10 gal.)			
506 10 54-01	E	Cassette cap	506 11 21-11	C	Motor top compl., 30L (8 gal.)			
506 10 55-01	B	Spring washers	506 11 22-01	B	Handle body			
506 10 57-01	B	Trigger lock	506 11 23-01	A	Roller cover ass.			
506 10 58-01	B	Spring	506 11 24-01	C	Motor & valve housing			
506 10 60-01	A,E	Support roller assy	506 11 57-01	H	Allen wrench 8 mm			
506 10 61-01	E	Support roller	506 11 60-01	H	Wrench 19 mm			
506 10 62-01	E	Cassette cap	506 11 76-01	H	Roller clamp			
506 10 66-01	G	Rubber guard	506 11 77-02	H	Spanner wrench			
506 10 67-01	G	Bracket	506 11 78-01	H	Tool kit compl.			
506 10 69-01	G	Hose clamp	506 13 79-01	F	Decal			