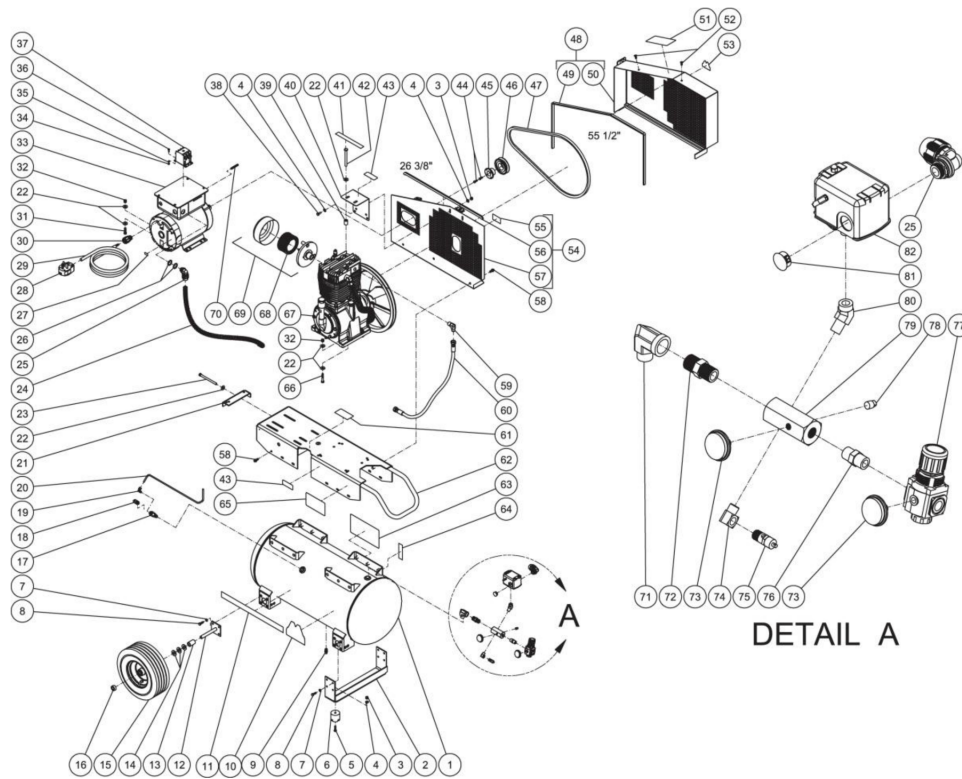




AM2-PE05-30M / AM2-PE05-30M (sn:0-99999999)

## TANK ASSEMBLY



Id	Item #	Description	Quantity
1	12-0193A01	TANK	1
2	20-0671A01	SUPPORT FOOT BRACKET	1
3	30-0157	LOCKNUT	4
4	28-0003	WASHER	6
5	27-0068	BOLT	2
6	14-0008	ISOLATOR	2
7	29-0007	LOCKWASHER	16
8	27-0067	BOLT	16
9	23-0312	PETCOCK	1
10	N/A	DECAL - MI-T-M	1
11	34-2189	DECAL - MI-T-M STRIPE	1
12	20-0670A01	AXLE	2
13	62-0176	SPACER	2

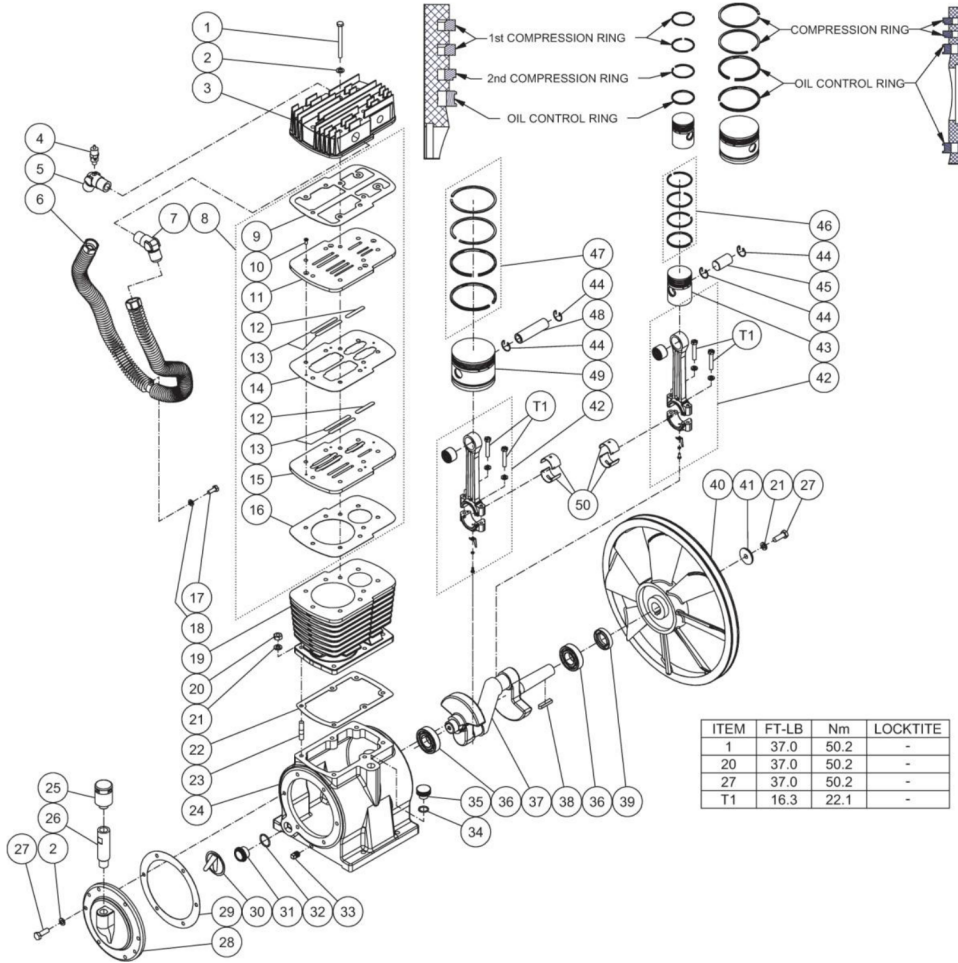
<b>Id</b>	<b>Item #</b>	<b>Description</b>	<b>Quantity</b>
14	28-0008	WASHER	6
15	14-0006	WHEEL	2
16	33-0351	COLLAR	2
17	22-0334	CHECK VALVE	1
18	24-0092	ELBOW	1
19	23-0316	ELBOW	1
20	54-0034	COPPER TUBE *(THREE FEET REQUIRED)	1
21	20-0461A01	BRACKET	1
22	28-0023	WASHER	19
23	27-0133	BOLT	1
24	32-0253	CONDUIT FLEX *(THREE FEET REQUIRED)	1
25	32-0254	CONDUIT ELBOW	2
26	32-0814	WASHER	2
27	N/A	DECAL - 230 VOLT *(SEE 34-9016)	1
28	32-0012	PLUG	1
29	32-0022	CORD *(FIFTEEN FEET REQUIRED)	1
30	9-0046	CORD RELIEF	1
31	27-0118	BOLT	4
32	30-0159	LOCKNUT	8
33	2-0101	MOTOR	1
34	30-6001	NUT	2
35	28-1009	STAR WASHER	2
36	27-9526	BOLT	2
37	32-0563	CONTACTOR	1
38	27-0066	BOLT	2
39	33-0425	SPACER	2
40	13-0189A01	BRACKET	1
41	N/A	DECAL - CHECK OIL *(SEE 34-9016)	1
42	27-8071	BOLT	2
43	N/A	DECAL - RISK OF BURNS *(SEE 34-9016)	2
44	27-0015	BOLT	2
45	9-0010	BUSHING	1
46	10-0031	SHEAVE	1
47	11-0066	BELT	1
48	854-0067	BELTGUARD COVER ASSEMBLY	1
49	33-0020	EDGING *(FIVE REQUIRED)	1
50	6-0094A01	BELTGUARD FRONT	1
51	N/A	DECAL - OPERATING INSTRUCTIONS (SEE 34-9016)	1
52	33-0197	FASTENER	2

<b>Id</b>	<b>Item #</b>	<b>Description</b>	<b>Quantity</b>
53	34-2167	DECAL - MI-T-M	1
54	854-0066	BELTGUARD BACK ASSEMBLY	1
55	N/A	DECAL - BELTGUARD IN PLACE (SEE 34-9016)	1
56	33-0020	EDGING *(THREE FEET REQUIRED)	1
57	6-0093A01	BELTGUARD BACK	1
58	27-9524	BOLT	15
59	24-0074	ELBOW	1
60	15-0243	HOSE	1
61	34-0075	DECAL- SILVER STICKER	1
62	5-0198A01	BASEPLATE	1
63	N/A	DECAL - CAUTION/WARNING/DANGER *(SEE 34-9016)	1
64	N/A	DECAL - TANK DRAIN *(SEE 34-9016)	1
65	N/A	DECAL - MAINTENANCE INSTRUCTIONS (SEE 34-9016)	1
66	27-0121	BOLT	4
67	3-0298	PUMP	1
68	19-0226	AIR FILTER	1
69	19-0237	FILTER CANISTER	1
70	43-0078	KEY	1
71	24-0006	ELBOW	1
72	24-0031	NIPPLE	1
73	22-0271	PRESSURE GAUGE	2
74	23-0014	ELBOW	1
75	22-0267	PRESSURE RELIEF VALVE	1
76	24-0010	NIPPLE	1
77	22-0231	REGULATOR	1
78	24-0082	PLUG	1
79	24-0266	MANIFOLD	1
80	24-0278	ELBOW	1
81	39-0014	PLUG	1
82	22-0277	PRESSURE SWITCH	1
	34-9016	DECAL SET	1



AM2-PE05-30M / AM2-PE05-30M (sn:0-99999999)

## PUMP ASSEMBLY



Id	Item #	Description	Quantity
1	27-8043	BOLT	9
2	28-1059	COPPER WASHER	15
3	46-1272	CYLINDER HEAD	1
4	22-0362	LP SAFETY VALVE	1
5	24-0304	65° OUTLET ELBOW W/PORT	1
6	46-1273	INTERCOOLER TUBE	1
7	24-0305	65° OUTLET ELBOW	1
8	70-0473	KIT - VALVE PLATE ASSY - (INC. 9-16)	1
9	N/A	GASKET - VALVE PLATE (UPPER)	1
10	N/A	SCREW	4

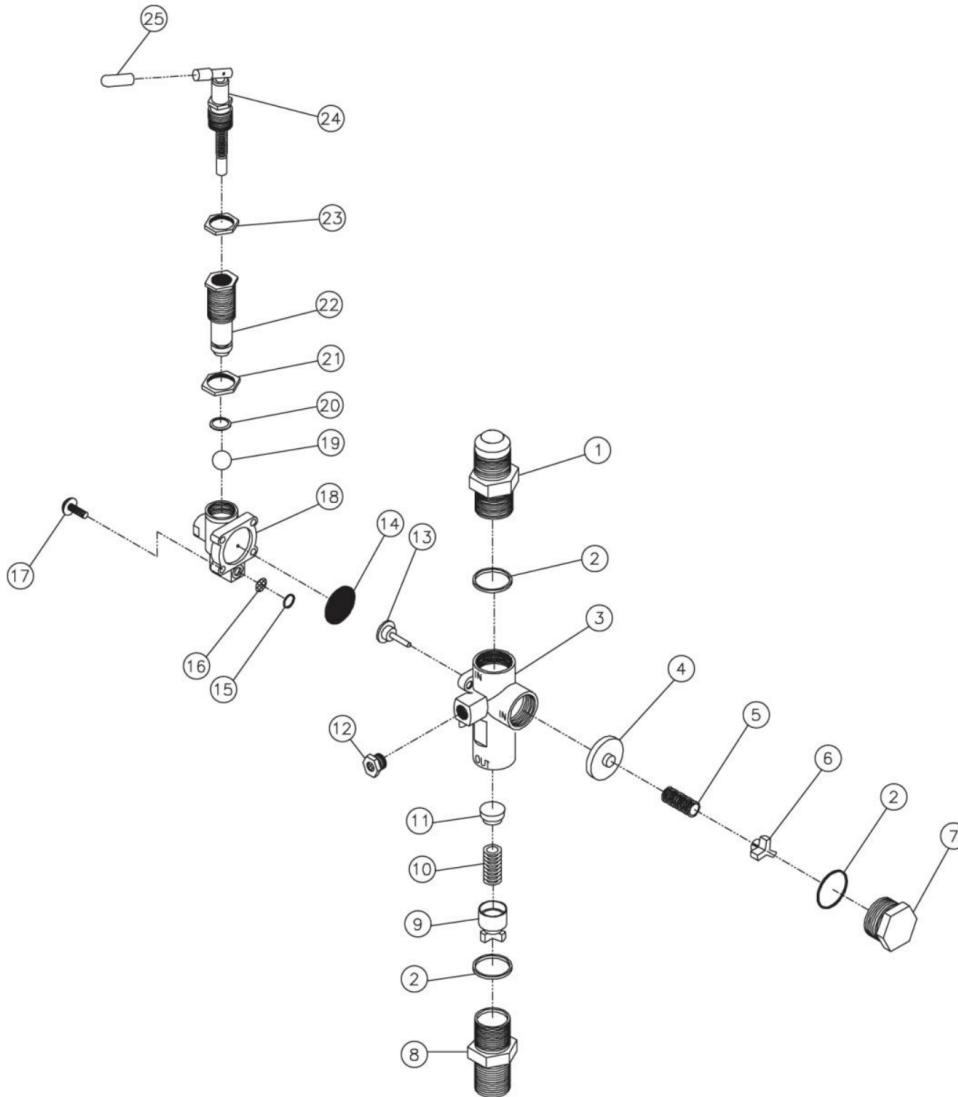
<b>Id</b>	<b>Item #</b>	<b>Description</b>	<b>Quantity</b>
11	N/A	UPPER VALVE SEAT	1
12	N/A	HP VALVE REED	2
13	N/A	LP VALVE REED	4
14	N/A	GASKET - VALVE PLATE (MIDDLE)	1
15	N/A	LOWER VALVE SEAT	1
16	N/A	GASKET - VALVE PLATE (LOWER)	1
17	27-8032	BOLT	1
18	29-0054	LOCKWASHER	1
19	46-1274	CYLINDER	1
20	30-7203	NUT	6
21	29-0055	LOCKWASHER	7
22	N/A	GASKET - CYLINDER	1
23	27-8991	STUD	6
24	46-1275	PUMP CRANKCASE	1
25	46-1276	BREATHER ASSY	1
26	46-1277	BREATHER PIPE	1
27	27-8061	BOLT	7
28	46-1278	REAR CRANKCASE COVER	1
29	N/A	GASKET - REAR CRANKCASE COVER	1
30	46-1279	OBSTRUCT OIL NET	1
31	46-1280	OIL LEVEL SIGHT GLASS	1
32	25-0150	O-RING	1
33	24-0009	PLUG	1
34	25-0160	O-RING	1
35	46-1281	OIL FILL CAP	1
36	48-0024	BALL BEARING	2
37	46-1282	PUMP CRANKSHAFT	1
38	43-0125	KEY	1
39	26-0302	OIL SEAL	1
40	10-0139	FLYWHEEL	1
41	N/A	WASHER	1
42	70-0468	KIT - HP CONNECTING ROD ASSEMBLY (INC. 49)	2
43	46-1283	PISTON	1
44	46-1284	PISTON SNAP RING	4
45	46-1285	PISTON PIN	1
46	70-0469	KIT - HP PISTON RING	1
47	70-0470	KIT - LP PISTON RING	1
48	46-1286	PISTON PIN	1
49	46-1287	PISTON	1

<b>Id</b>	<b>Item #</b>	<b>Description</b>	<b>Quantity</b>
50	46-1288	CONNECTING ROD BUSHING	4
	70-0472	KIT - PUMP GASKET - (INC. 9, 14, 16, 22, 29)	1



AM2-PE05-30M / AM2-PE05-30M (sn:0-99999999)

## PILOT VALVE



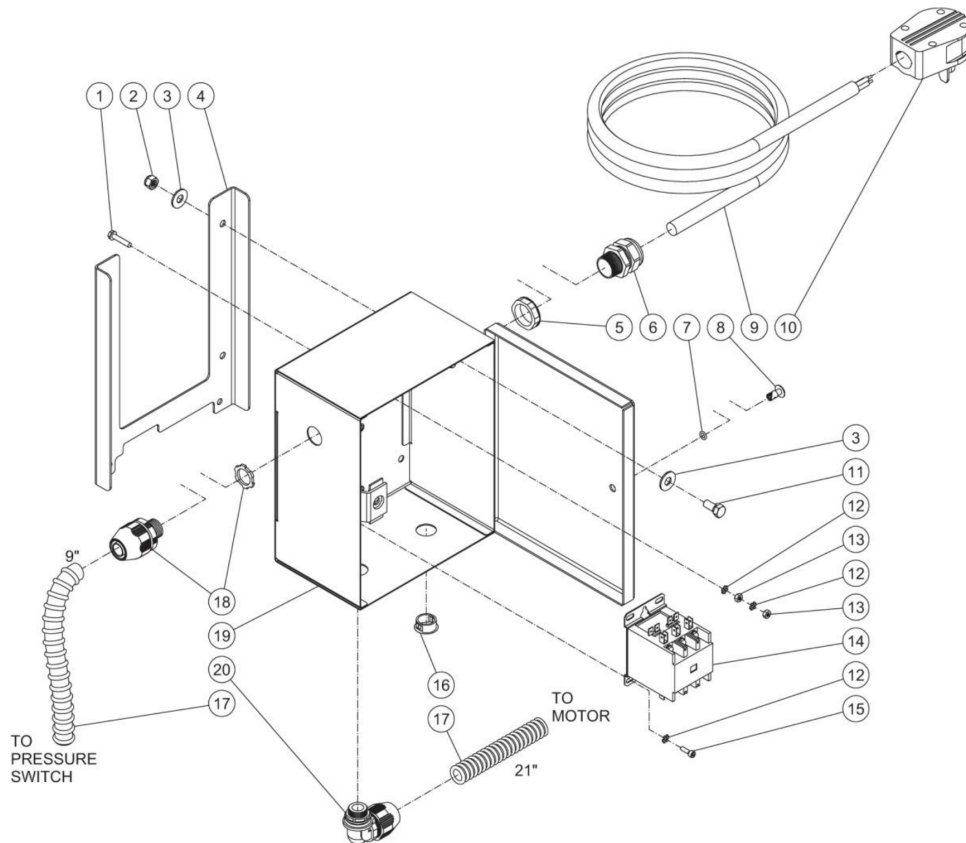
Id	Item #	Description	Quantity
1	N/A	INLET PORT FITTING	1
2	N/A Sep.	O-RING (SEE 70-0241)	3
3	N/A	MAIN BODY	1
4	N/A Sep.	PISTON ASSEMBLY-UNLOADER VALVE (SEE 70-0241)	1
5	N/A Sep.	SPRING-UNLOADER VALVE (SEE 70-0241)	1
6	N/A	SPRING SEAT-UNLOADER VALVE	1
7	N/A	CAP	1

<b>Id</b>	<b>Item #</b>	<b>Description</b>	<b>Quantity</b>
8	N/A	DISCHARGE PORT FITTING	1
9	N/A	SPRING SEAT ASSEMBLY-CHECK VALVE	1
10	N/A Sep.	SPRING-CHECK VALVE (SEE 70-0241)	1
11	N/A Sep.	PISTON-CHECK VALVE (SEE 70-0241)	1
12	23-0419	MUFFLER	1
13	N/A Sep.	STEM UNLOADER (SEE 70-0241)	1
14	N/A Sep.	DIAPHRAM (SEE 70-0241)	1
15	N/A Sep.	O-RING (SEE 70-0241)	1
16	N/A Sep.	SCREEN (SEE 70-0241)	1
17	N/A	SCREW W/WASHER	4
18	N/A	PILOT BODY	1
19	N/A Sep.	BALL (SEE 70-0241)	1
20	N/A Sep.	O-RING (SEE 70-0241)	1
21	N/A	DIFFERENTIAL ADJUSTING LOCKNUT	1
22	N/A	DIFFERENTIAL ADJUSTING NUT	1
23	N/A	PRESSURE ADJUSTING LOCKNUT	1
24	N/A Sep.	PRESSURE ADJUSTING TOGGLE ASSEMBLY (SEE 70-0241)	1
25	N/A	RED TOGGLE COVER	1
KIT	70-0241	REPAIR KIT (INC. 2 EACH 4-5, 10-11, 13-16, 19-20, 24; INC. 3 EACH 2)	



AM2-PE05-30M / AM2-PE05-30M (sn:0-99999999)

## ELECTRIC BOX ASSEMBLY



Id	Item #	Description	Quantity
1	27-8807	BOLT	1
2	30-0157	LOCKNUT	4
3	28-0022	WASHER	8
4	13-0263A18	MOUNTING BRACKET	1
5	32-0292	ELECTRICAL LOCKNUT	1
6	9-0046	CORD RELIEF	1
7	25-0209	O-RING	1
8	33-0197	FASTENER	1
9	32-0022	CORD *(FIFTEEN FEET REQUIRED)	1
10	32-0012	PLUG	1
11	27-0066	BOLT	4
12	28-1009	STAR WASHER	6

<b>Id</b>	<b>Item #</b>	<b>Description</b>	<b>Quantity</b>
13	30-6001	NUT	2
14	32-0563	CONTACTOR	1
15	27-8835	SCREW	4
16	39-0014	PLUG	1
17	32-0253	CONDUIT *(THREE FEET REQUIRED)	1
18	32-0255	CONDUIT FITTING	1
19	32-1301A18	ELECTRIC BOX - ABATEMENT	1
20	32-0254	CONDUIT ELBOW	1

\*MUST ORDER IN ONE FOOT LENGTHS