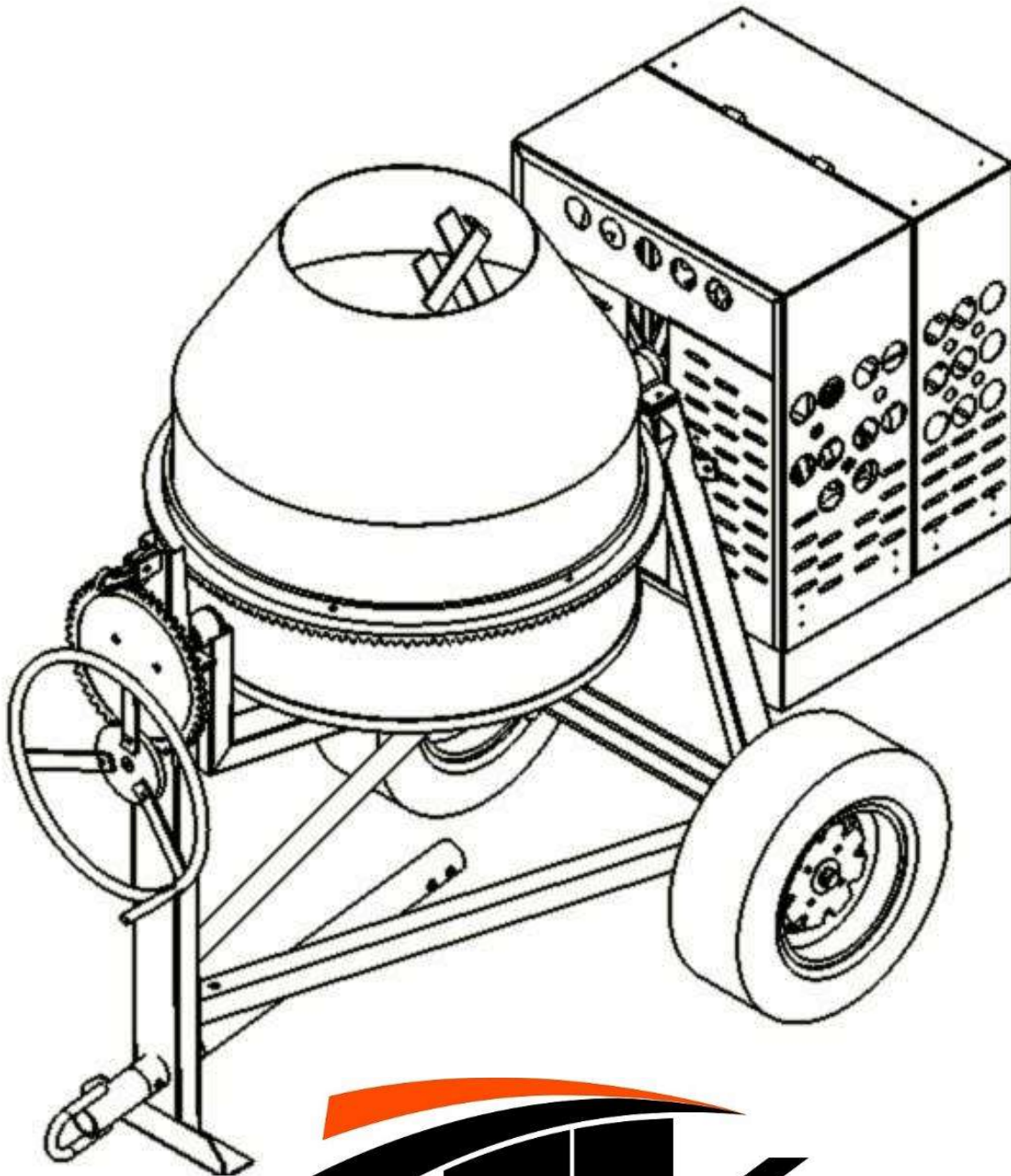
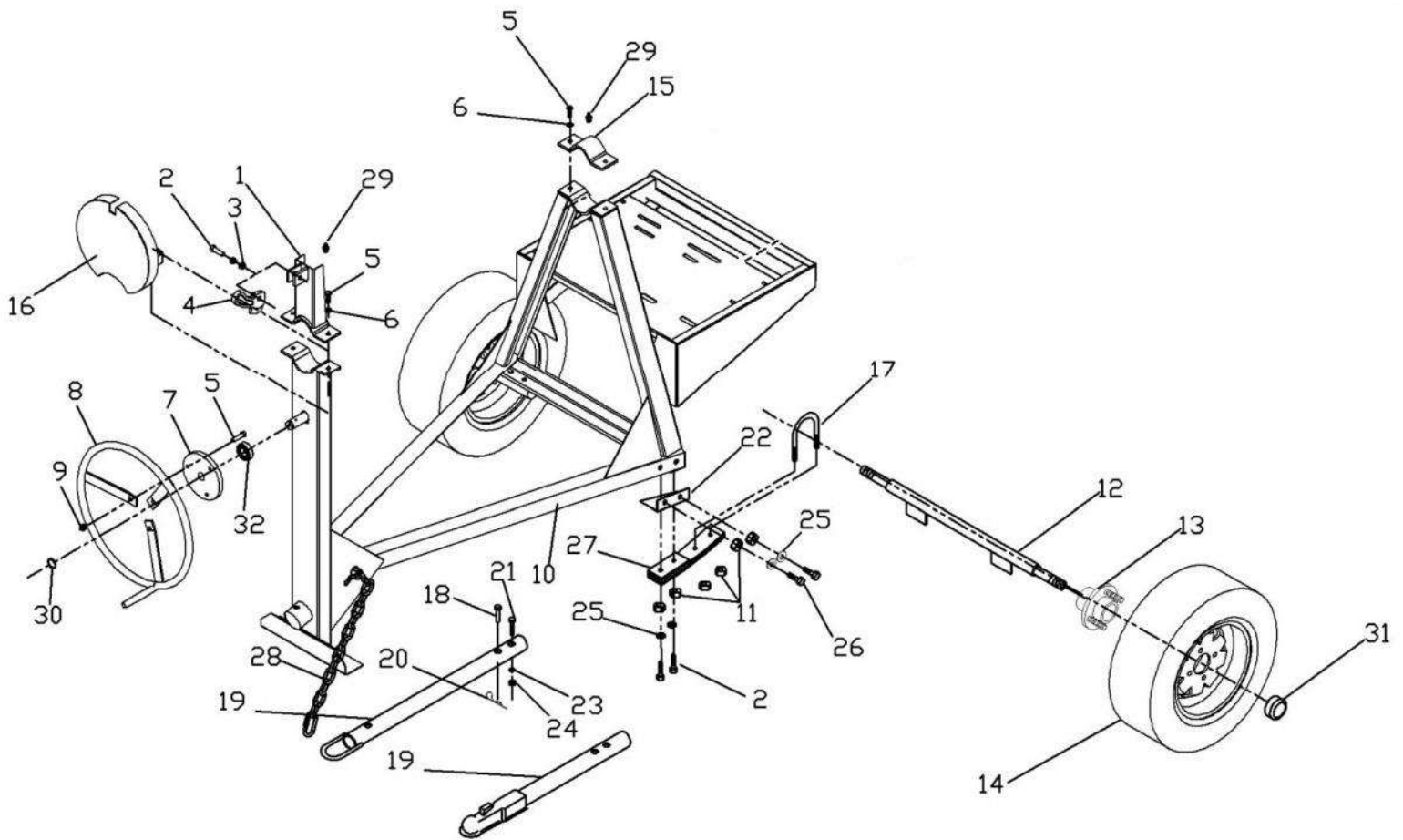


CM9P (V- FRAME) PARTS BREAKDOWN (PRICE LIST)

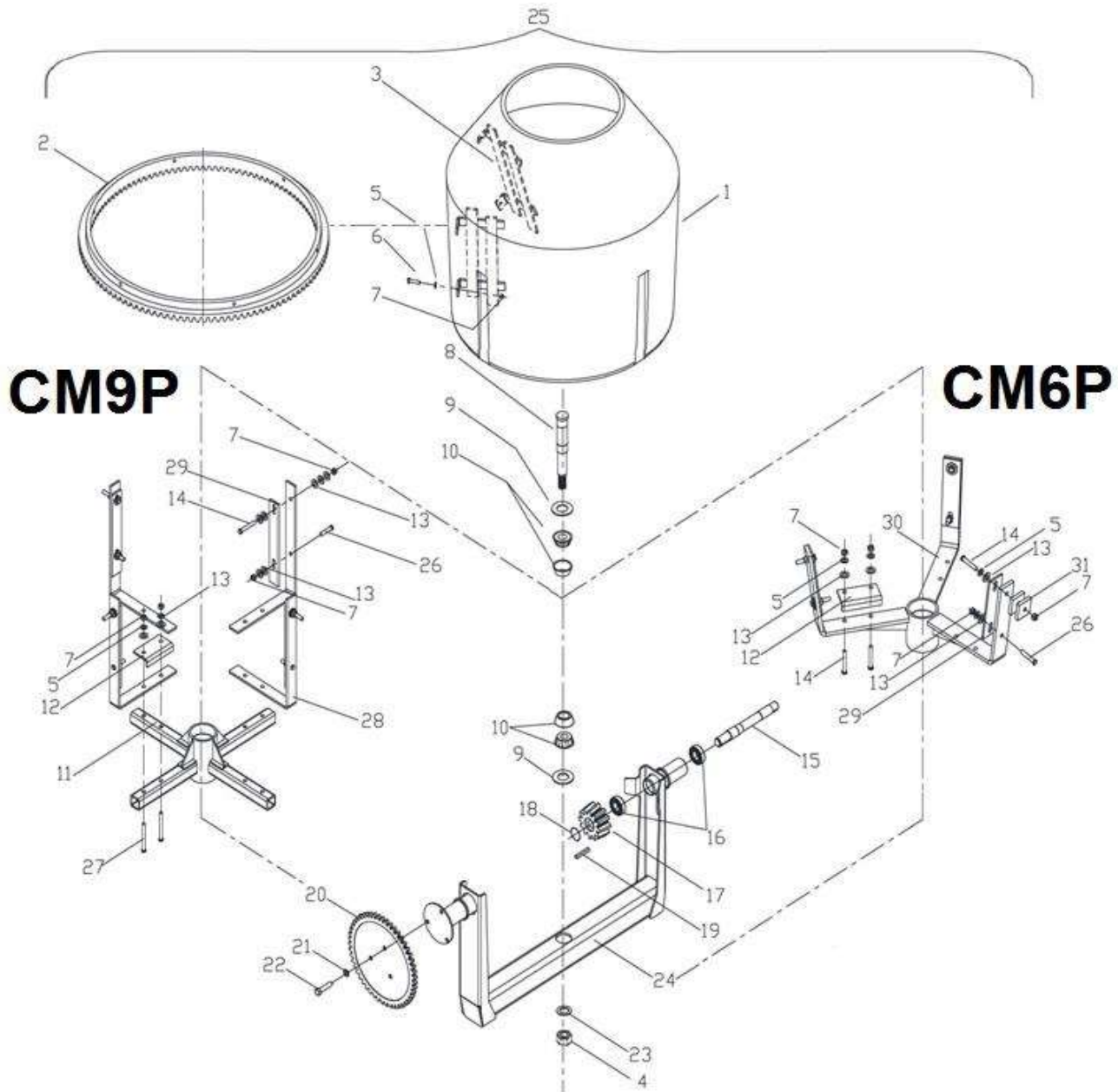


FRAME CM

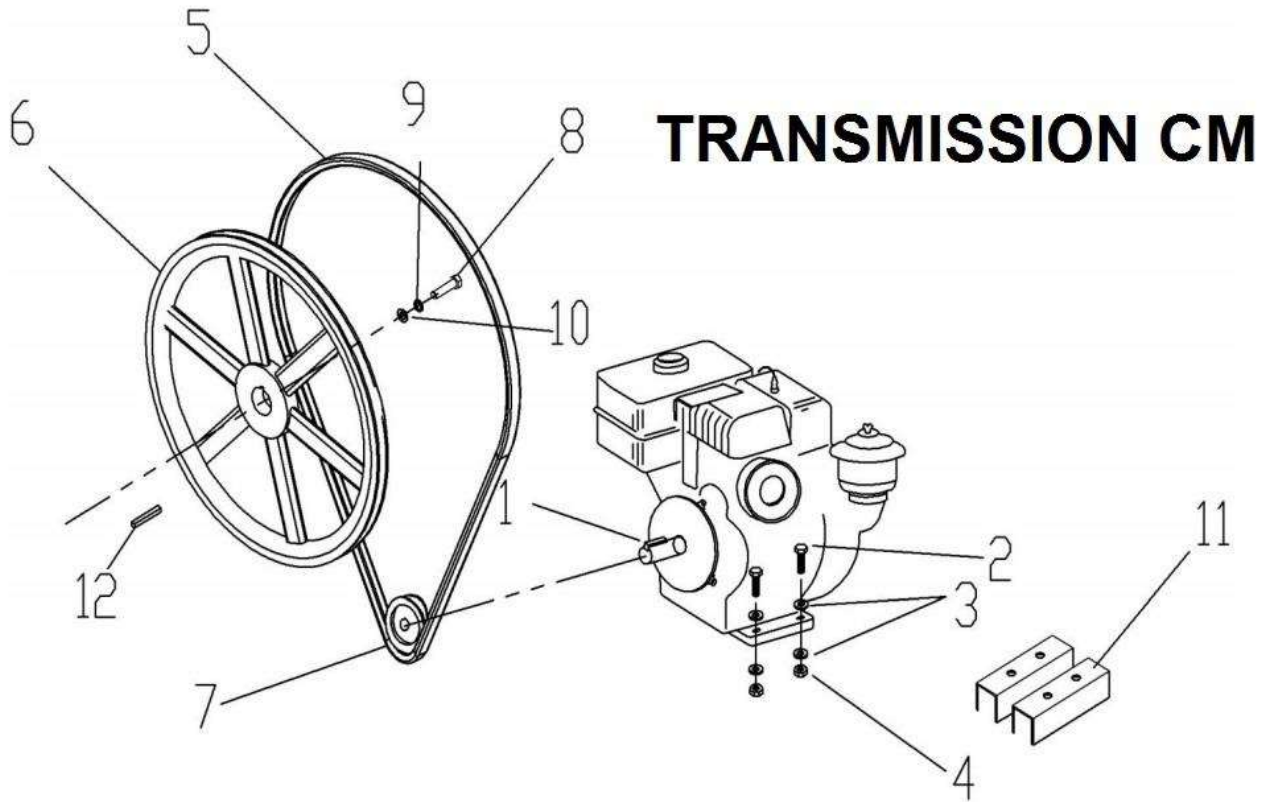


FRAME ASSEY				
ITEM	SKU #	PART #	DESCRIPTION	CM9P
1	0100SC01FR	C103	STEERING WHEEL BRAKE CM - C103	1
2	TOCD012212	C146	HEX BOLT HD 1/2" X 2-1/2" - T104 - C146 - 226690	5
3	TCCN012GAL	T190	HEX LOCK NUT 1/2" - T190 - C178	2
4	0100FG01FR	C104	STEERING WHEEL LOCK PIN BREAK CM - C104	1
5	TOCD038112	T176	HEX BOLT 3/8" X 1-1/2" - T176 - C141 - 226230	7
6	RNRX038GAL	T113	LOCK WASHER 3/8" T113 - C144 - 176230	4
7	0100FG01VO	C108	CONTROL HANDLE BLOCK 1" CM6P - CM9P - C108 (OLD UNIT)	
7	0103FG01VO	C109	CONTROL HANDLE BLOCK 1" CM7 - CM9 - C109 (OLD UNIT)	1
7	0101FG012H	C109-1	HANDLE BLOCK 5-15/16" E.D. X 1-1/4" W/6205 BRG FOR ALL CM C109-1 (NEW STYLE)	1
8	0100SC01VO	C110	STEERING WHEEL WITH GRIP FOR CMP/CM7/CM9 - C110	1
8	0103SC01VO	C111	STEERING WHEEL HANDLE W/ ROTABLE HANDLE CM12 - C111	
9	TCCS038GAL	C142	HEX LOCK NUT 3/8" - 227830 - T114 - C142	3
10	0170CO01CH	C100	V-TYPE FRAME CM7 - CM6P - CM9P - C100	
10	0173CO01CH	C102	V-TYPE FRAME CM9 - CM12 - C102	1
11	TCCS012GAL	T106	HEX LOCK NUT 1/2" - T106 - 227854 - C304	12
12	0130SC02RD	C134	AXLE, ASSY INCLUDES HUBS - 702058 - C134 - C195	1
13	0200KI03RD	T129-1	WHEEL HUB W/ 1" BRG L44643 & DUST CAP - 702071 - T129 - C135 (NEW STYLE)	2
14	0000CO02RD	T137-12	WHEEL & TIRE ASSY 4.8 X 12" - T137-12 - C137- 431063	

14	0000CO01RD	T137	WHEEL & TIRE ASSY 165-80 R13" - T137 - 431081 - C136	2
15	0100SO01PD	C105	DRUM YOKE PILLOW BLOCK - C105	1
16	0170CO01GF	C157	CONTROL HANDLE SAFETY GEAR GUARD CM - C157	1
17	0170CO03CH	C167	CM/HM AXLE U-CLAMP C166 - 0900CR02RD - 702059	2
18	0000CR01LZ	T121	TOWING HITCH, LOCK PIN - T121 - C169 - 496088 - 702078	1
19	0000CO04LZ	T119-V	2" BALL HITCH VERTICAL HOLE - 702070 - T119	1
19	0000CO03LZ	T118-V	PINTLE HITCH VERTICAL HOLE - 702069 - T118 - C193	1
20	0111SR01LZ	T110	3/6" COTTER PIN CP-85H - SR00036EXT - T110 - 134955	1
21	TOFD034312	T122	TOWING HITCH, HEX HEAD SCREW 3/4" X 3-1/2" - T122 - C148 - 226272 - 701001	1
22	0100PL01RD	C133	AXLE BRACKETS SUPPORT - C133	2
23	RNRX034GAL	T123	TOWING HITCH, SPRING WASHER 3/4" - 174510 - T123	1
24	TCFN034GAL	T124	TOWING HITCH, HEX NUT, 3/4 NF - 701028 - T124 - C179	1
25	RNRX012GAL	T112	SPING WASHER 1/2" - C145 - 176250 - T568 - T112	3
26	TOCD038112	C141	HEX BOLT 3/8" X 1-1/2" - T176 - C141 - 226230	4
27	0000RF03CH	C165	SET AXLE LEIFS SPRINGS FOR CM - C165	2
28	CAD3516GAL	T501	5/16 SAFETY CHAIN W/ OVAL SNAPS T501 - 609686 - 701012 - CA03316GAL	1
29	0000GRH200	C155	FTG, GREASE ST 1/8 NPT - 110680 - C15	2
30	SM00156EXT	C151	RETAINING OMEGA RING - 1-15/16" - 701029 - C151	1
31	0000RF10RD	T136-1	DUST CAP FOR WHEEL HUBS 1.98" (NEW STYLE) - 702087 - T136-1 - 464804 - P/N 25353844	2
32	0000BA6205	C154	BALL BEARING, 6205 - C154 - 701016 (JEL205-100W3)	1

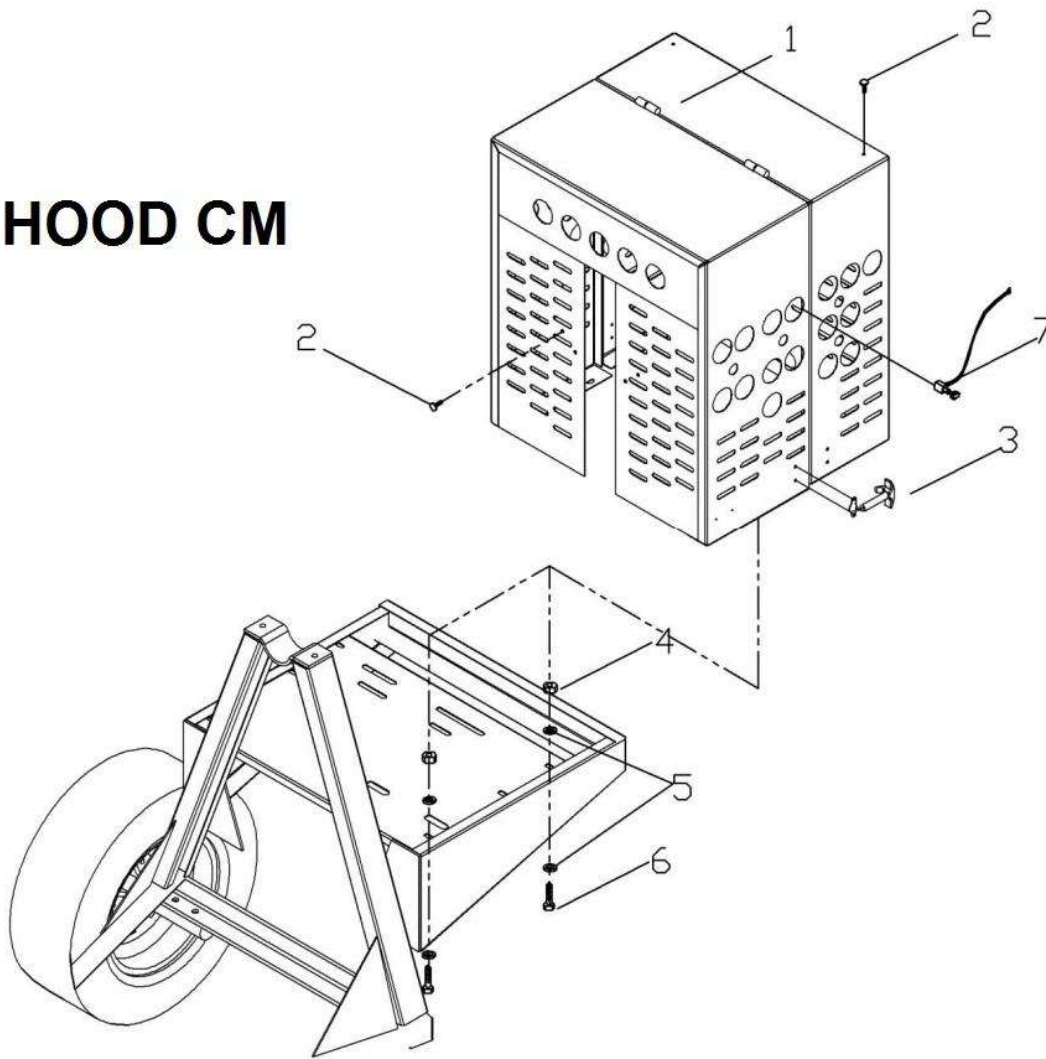


DRUM ASSEY					
ITEM	SKU #	PART #	DESCRIPTION	CM6P	CM9P
1	0903CO01TQ	C503	DRUM C6P/CM6P INCLUDES PADDLES - 201449- C503	1	
1	0906CO01TQ	C504	DRUM C9P/CM9P INCLUDES PADDLES - 702085 - C504 - C191		1
2	0210FG01TQ	C506	CM6P/C6P GEAR RING (96 TH 27-7/16 DIA) - C506 - 411810	1	
2	0100FG02TQ	C122	RING GEAR (115 TH 32-7/8" DIA) - C122 -702040		1
3	0100SC01AS	C505	PADDLE C3/C6P/C9P/CM9P - 702107 - C505 - 412010	3	6
4	TCCN100GAL	C512	HEX NUT, 1" UNF - C512 - 227920	1	1
5	RNPX038GAL	C139	PLAIN WASHER 3/8" - T112 - C139 - 174986 - 701032 - C140	24	20
6	TOCD038112	C141	HEX BOLT 3/8" X 1-1/2" - T176 - C141 - 226230	6	12
7	TCCS038GAL	C142	HEX LOCK NUT 3/8" - 227830 - T114 - C142	18	28
8	0903CR01YU	C516	SHAFT, BOWL C6P/CM6P - 702064 - C516	1	
8	0906CR01YU	C517	SHAFT, BOWL C9P/CM9P - 702065 - C517		1
9	0100RF01TQ	C532	CM DRUM BOTTOM SHAFT SEAL TC38X80X8 - C532 (NEW STYLE)	1	1
10	0000BA2788	C150	BALL BEARING, TRB CO&SL 4T-LM67048L (INCLUDING CUP > BA2788/20) - C150 -701014 (NEW STYLE)	2	2
11	0111CO01TQ	C508	DRUM SUPPORT REINFORCED C9P/CM9P - C508 - 702120 - 0100CO01AD		1
12	0100PL03AD	C525	CLAMP DRUM SUPPORT CM6P/CM9P - C525 - 702121	3	4
13	RNPX012GAL	C147	PLAIN WASHER 1/2" - T105 - C172 - 174470	12	36
14	TOCD038212	C526	HEX BOLT HD, 3/8" X 2-1/2 - T590 - 226270	9	4
15	0100CR02YU	C124	TRANS. SHAFT CM SHAFT 1 1/16 X 9 3/4" - C124 - 411894	1	1
16	0000BA6205	C154	BALL BEARING, 6205 - C154 - 701016 (JEL205-100W3)	2	2
17	0100FG02YU	C123	PINION 12 TOOTH - 702068 - C123 (FOR NEW CM)	1	1
17	0900FG02YU		PINION 14 TOOTH (FOR DOUBLE BELT CM)	1	1
18	SM00156EXT	C151	RETAINING OMEGA RING - 1-15/16" - 701029 - C151	1	1
19	0000CU01TR	C152	KEY 1/4 X 1-1/4 - 701027 - C152 - T483	1	1
20	0100FG01YU	C107	STEERING WHEEL GEAR FOR CONCRETE MIXER - C107	1	1
21	RNRX012GAL	C145	SPRING WASHER 1/2" - C145 - 176250 - T568 - T112	3	3
22	TOCD012034	C149	HEX BOLT GR5 1/2 X 3/4 - C149	3	3
23	RNRX100GAL	C511	SPRING WASHER, 1" - 176290 - C511	1	1
24	0110CO01YU	C519	YOKE CM6P - C519	1	
24	0111CO01YU	C520	YOKE CM9P - C520		1
25	0110CO01EF	C521	C6P/CM6P DRUM ASSEY (DRUM, PADDLES, YOKE, RING) - C521 - 609998 - 431083	1	
25	0111CO01EF	C522	C9P/CM9P DRUM KIT ASSEY (DRUM, PADDLES, YOKE, RING) - C522 - 609936 - 610502		1
26	TOCD038134	C527	HEX BOLT HD, 3/8 X 1-3/4 - 226240	3	4
27	TOCD038312	C528	HEX BOLT HD, 3/8" X 3-1/2" - T353 - 226275		8
28	0100SO02AD	C529	BRACKET SUPPORT ARM CM9P - C529 - 702122 - 0100SO02AD		4
29	0110SO01AD	C531	BRACKET SUPPORT INNER CM6P/C6P - C531 - 702123 - 0110SO01AD	3	
30	0110CO01TQ	C507	DRUM SUPPORT REINFORCED CM6P - C507 - 702125 - 0110CO01TQ-1	1	
31	0110PL01TQ	C510	DRUM SUPPORT REINFORCEMENT C9P/CM9P - C510 - 702106	6	6



TRANSM ASSEY					
ITEM	SKU #	PART #	DESCRIPTION	CM6P	CM9P
*	202002M	202002M	HONDA ENGINE GX160	1	
*	202008M	202008M	HONDA ENGINE GX240	1	1
*	202012M	202012M	HONDA ENGINE GX390		
*	202246M	202246M	MOTOR YANMAR 6.4HP	1	1
*	202247M	202247M	MOTOR YANMAR 9.9HP		1
1	0170CC01MO	C152	KEY 1/4 X 1-1/4 - 701027 - C152 - T483 - 0000CU01TR	1	1
2	TOCD038200	C158	HEX BOLT HD, GR5 3/8" X 2" - 226250 - T145- C158	4	4
2	TOCD038100	C138	HEX BOLT 3/8 X 1 - C138 (ELECTRIC MOTORS)	4	4
3	RNPX038GAL	C139	PLAIN WASHER 3/8" - T112 - C139 - 174986 - 701032 - C140	8	8
4	TCCS038GAL	C142	HEX LOCK NUT 3/8" - 227830 - T114 - C142	4	4
5	0000BNB64	C129	BELT-V B64 FOR CM GAS ENGINE UNITS - C129	1	1
5	0000BNB68	C194	BELT-V B68 FOR CM ELECTRIC UNITS - C194	1	1
6	POFG190516TK	C125	PULLEY 19" X 1 GROOVE CM - C125	1	1
7	POFG212034	C126	PULLEY 2-1/2" X CAL 3/4" (AK2534) - 702049 - 411871 - C126	1	
7	POFG212100	C127	PULLEY 2-1/2" X CAL. 1" -702050 - 459960 - C127 (8 HP -13 HP ENGINE)	1	1
7	POFG212058	C185	PULLEY 2-1/2" X 5/8" (AK2558) - 702051 C185 (.5 HP - 1.5 HP MOTOR)	1	
7	POFG212078	C186	PULLEY 2-1/2" X CAL 7/8" 1 GROOVE (AK2578) - 702052 (2 HP MOTOR)	1	1
7	POFG212118	C187	PULLEY 2-1/2" X CAL 1 1/8" - 702053 (3 HP - 5HP MOTOR)		1
8	TOFD038100	T116	HEX BOLT HD, GR5 3/8 X 1 NF - T116	1	1
9	RNPNO38ESP	C505	SPRING WASHER 3/8 X 1-1/4 - 701017 - C509	1	1
10	RNPX038GAL	T112	PLAIN WASHER 3/8" - T112 - C139 - 174986 - 701032		
11	0201PL01MO	T165	RAISING HEIGHT BRACKET FOR 5.5HP ENGINE - T165	1	
12	0200CU02TR	T147	ENGINE KEY 1/4 FOR 8HP & 13HP - T147	1	1
12	0200CU03TR	T147-1	ENGINE KEY 3/16" FOR 5HP - C514 - T147-1	1	

HOOD CM



HOOD ASSEY					
ITEM	SKU ##	PART #	DESCRIPTION	CM6P	CM9P
1	0110CO01GA	C131	HOOD, HINGED ASSY SINCE THE SERIES CM7-CM12 - C131	1	1
2	0000RF01GA	T158	RUBBER SCREW 1/4" FOR SHROUD - T158 - C159 - 201544	2	2
3	0000RF02GA	T160	SHROUD HOOK ASSEMBLY - T160 - C161 - 701004 - 201543	2	2
4	TCCS038GAL	T114	HEX LOCK NUT 3/8" - 227830 - T114 - C142	4	4
5	RNPX038GAL	T112	PLAIN WASHER 3/8" - T112 - C139 - 174986 - 701032 - C140	8	8
6	TOCD038112	T176	HEX BOLT 3/8" X 1-1/2" - T176 - C141 - 226230	4	4
7	1000KI04GA	T193	ENGINE KILL SWITCH ASSEY RED (WITH HARNESS) 701007 - T193	1	1
7	0200KI01GA	T195-1	ENGINE N.O KILL SWITCH RED (NO HARNESS) - 816769AS - 112500 - T195-1 - 290100	1	1