



Serenity Pellet Stove



P/N: 28651

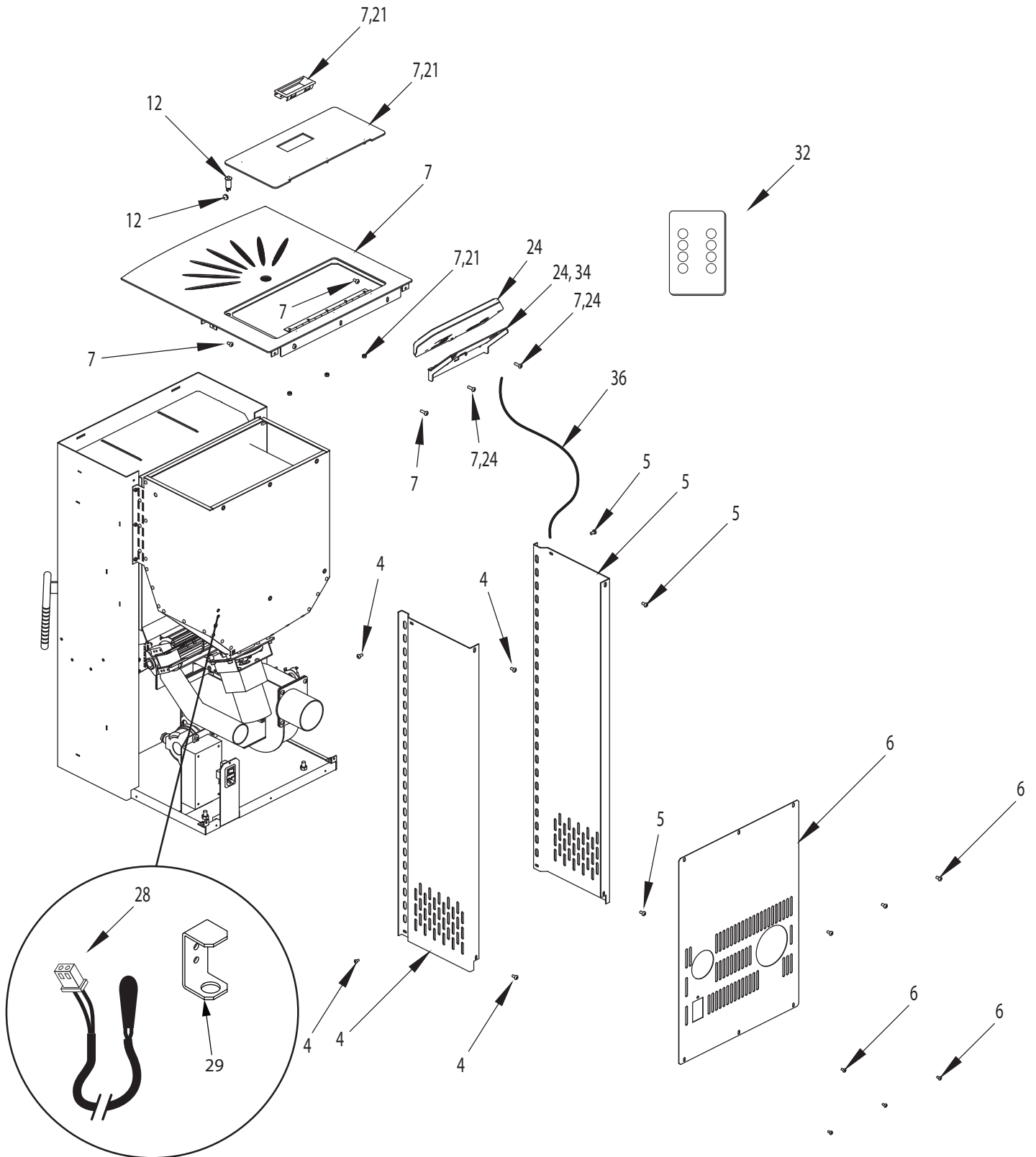
ECN: 11694

REV1: 06/01/2017

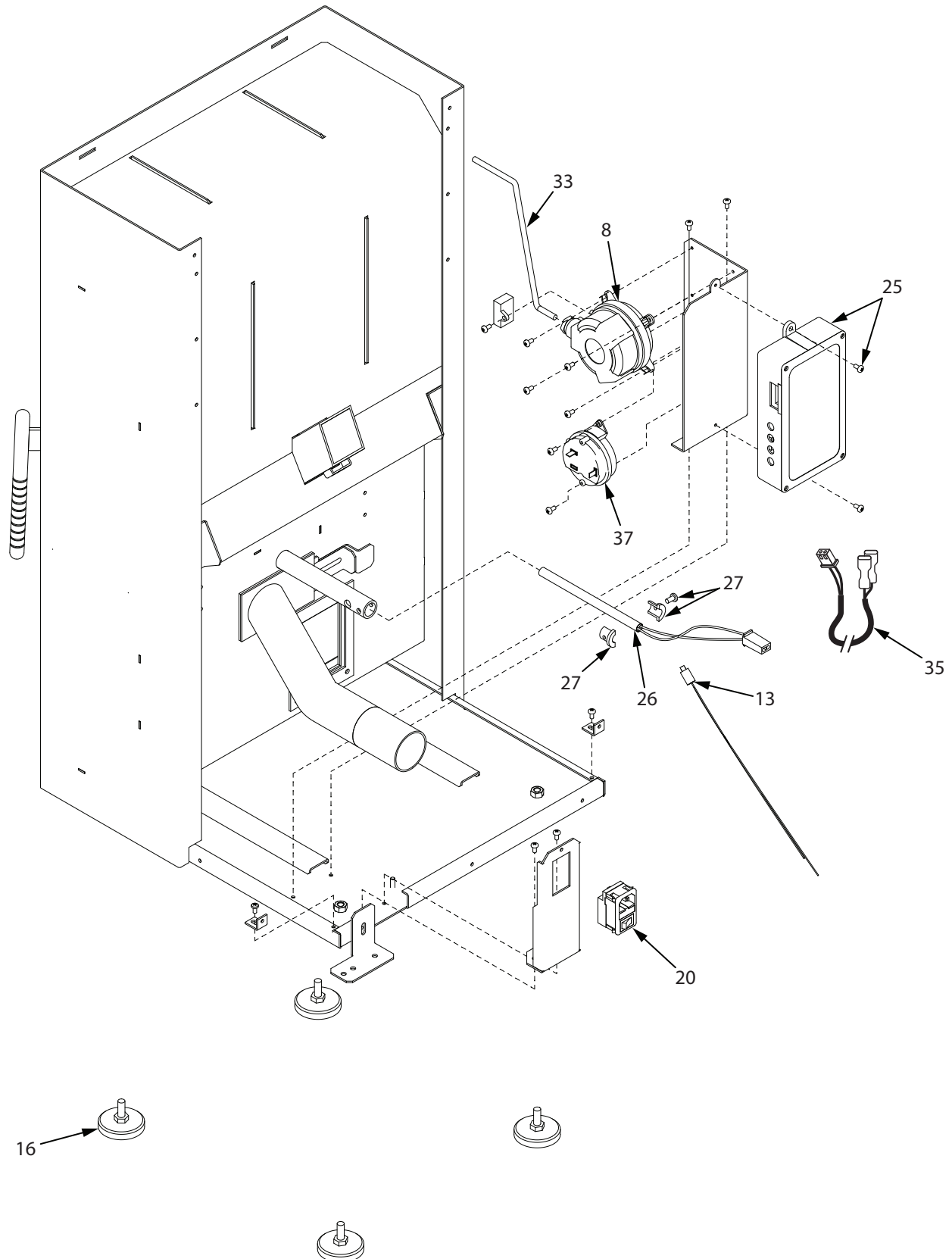
© 2017 Ardisam Inc.

All Rights Reserved.

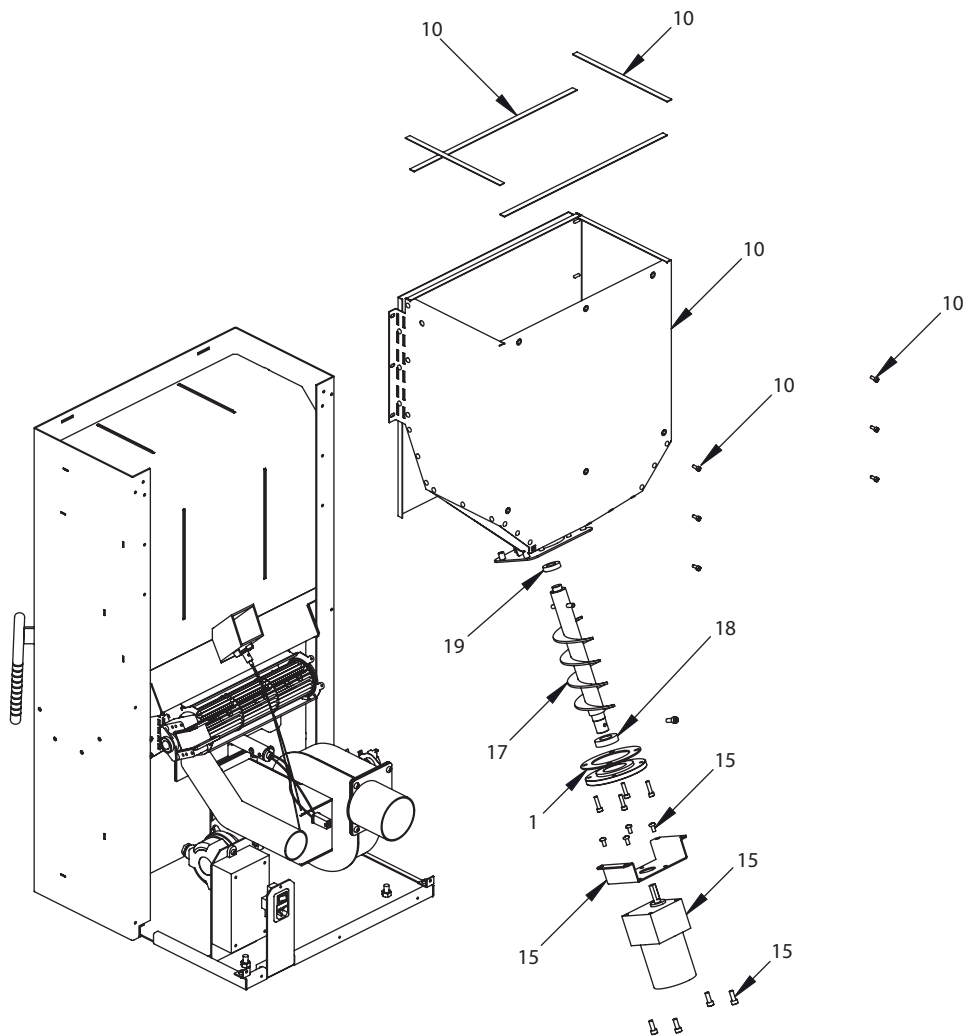
ILLUSTRATED PARTS BREAKDOWN



ILLUSTRATED PARTS BREAKDOWN



ILLUSTRATED PARTS BREAKDOWN





ILLUSTRATED PARTS BREAKDOWN

ENGLISH

ITEM #	PART #	DESCRIPTION	QTY.
1	12225	GASKET AUGER HOUSING HPS FEED SYSTEM	1
2	720110	EXHAUST BLOWER	1
3	16135	ASH PAN WELDMENT	1
4	16278	PANEL RIGHT REPLACEMENT KIT	1
5	16279	PANEL LEFT REPLACEMENT KIT	1
6	16280	PANEL BACK REPLACEMENT KIT	1
7	16281	TOP AND HOPPER WELDMENT LID REPLACEMENT KIT	1
8	720238	VACUUM SWITCH	1
9	720103	52C SENSOR REPLACEMENT	1
10	16284	KIT HOPPER ASSEMBLY REPLACEMENT	1
11	21565	ROOM BLOWER REPLACEMENT KIT	1
12	720055	HOPPER LID SWITCH	1
13	720106	SENSOR TEMPERATURE 92 DEG C	1
14	720204	DOOR ASSEMBLY REPLACEMENT KIT	1
15	720107	AUGER MOTOR HPS & SERENITY	1
16	720216	ADJUSTABLE FOOT	4
17	720219	WELDMENT AUGER FEED SYSTEM	1
18	720220	BEARING LOWER AUGER	1
19	720221	BEARING UPPER AUGER	1
20	720227	POWER SUPPLY SWITCH REPLACEMENT KIT	1
21	720229	HOPPER HANDLE REPLACEMENT	1
22	720235	FIREPOT WELDMENT	1
23	18522	EXHAUST MOTOR GASKET KIT	1
24	720298	CONTROL HEAD REPLACEMENT KIT	1
25	720304	INTERFACE MODULE REPLACEMENT KIT	1
26	720307	IGNITER REPLACEMENT KIT	1
27	720308	COLLAR IGNITER RETAINER REPLACEMENT KIT	1
28	13512	LEAD, PIGTAIL, 30C ROOM SENSOR	1
29	28663	BRACKET, MOUNTING 30C ROOM SENSOR	1
30	720242	GLASS HPS10 & SERENITY	1
31	11090	PIGTAIL LEAD 52 FOR 10IC SERENITY	1
32	11721	REMOTE CONTROL	1
33	12283	TUBE VACUUM SWITCH PORT	1
34	12429	BRACKET CONTROLLER	1
35	11392	PIGTAIL LEAD VACUUM SWITCH	1
36	23063	COMPLETE WIRING HARNESS SERENITY	1
37	28662	VACUUM SWITCH 0.05 WC	1

WIRING DIAGRAM

