

OPERATOR'S SAFETY AND SERVICE MANUAL



SCREEDEMON

This manual covers the following serial numbers
and higher for each model listed:

WS500. 141001



WET SCREED

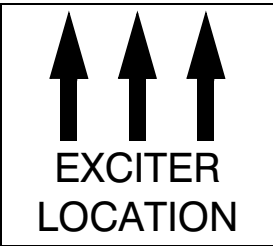
MBW, Inc.
250 Hartford Rd • PO Box 440
Slinger, WI 53086-0440
Phone: (262) 644-5234
Fax: (262) 644-5169
Email: mbw@mbw.com
Website: www.mbw.com

MBW (UK) Ltd.
Units 2 & 3 Cochrane Street
Bolton BL3 6BN, England
Phone: 01204 387784
Fax: 01204 387797

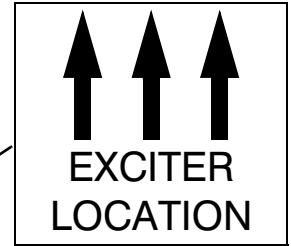
L17763 / 1.04.B
©MBW, Inc. 2004
Printed in the USA

PATENT PENDING

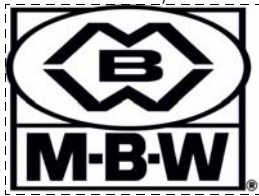
01504



17768



17768



17770



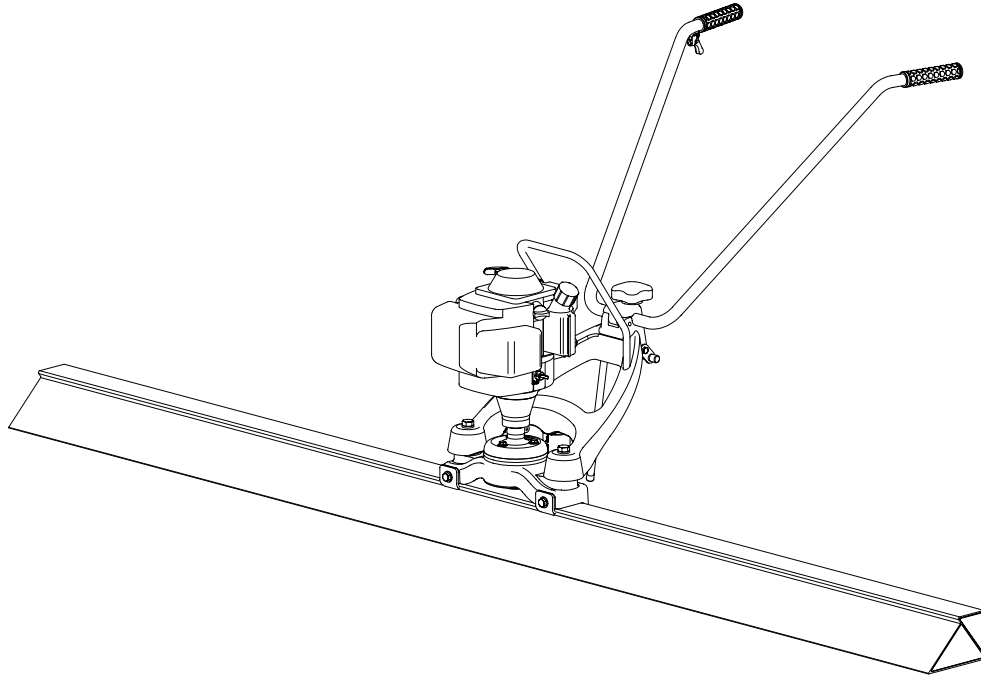
17770



17769

Safety Decals (Decal Set #17782)

SPECIFICATIONS



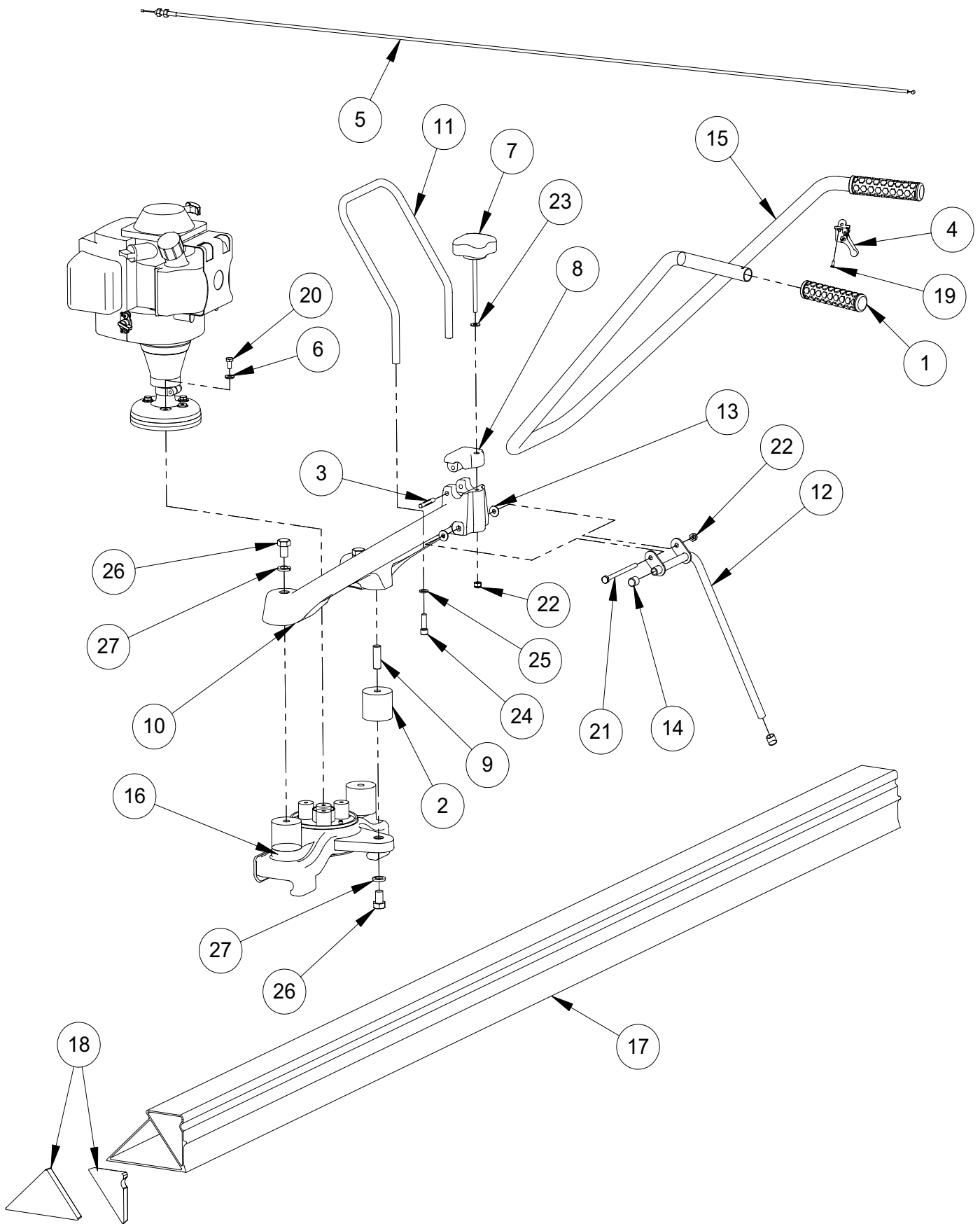
500H

	500H	500R
Operating Weight	29 lbs (13.2 kg)	29 lbs (13.2 kg)
Engine Make	Honda	Robin
Engine Model	GX31TA2	EH035V
Maximum Rated Power	1.5 Hp (1.12 kW) @7000 rpm	1.6 Hp (1.18 kW) @7000 rpm
Displacement	(1.9 in ³) 31 cm ³	(2.04 in ³) 33.5 cm ³
Spark Plug	NGK CR5HSB	NGK CMR6A
Electrode Gap	0.024 -0.028in (0.6-0.7mm)	0.024 -0.028in (0.6-0.7mm)
Engine Oil Type	SAE 10W30	SAE 10W30
Engine Oil Capacity	3.4 oz (0.1L)	3.4 oz (0.1 L)
Fuel Type	Regular Unleaded	Regular Unleaded
Fuel Tank Capacity	0.17 gal (0.64 L)	0.17 gal (0.64 L)

Blade Specifications

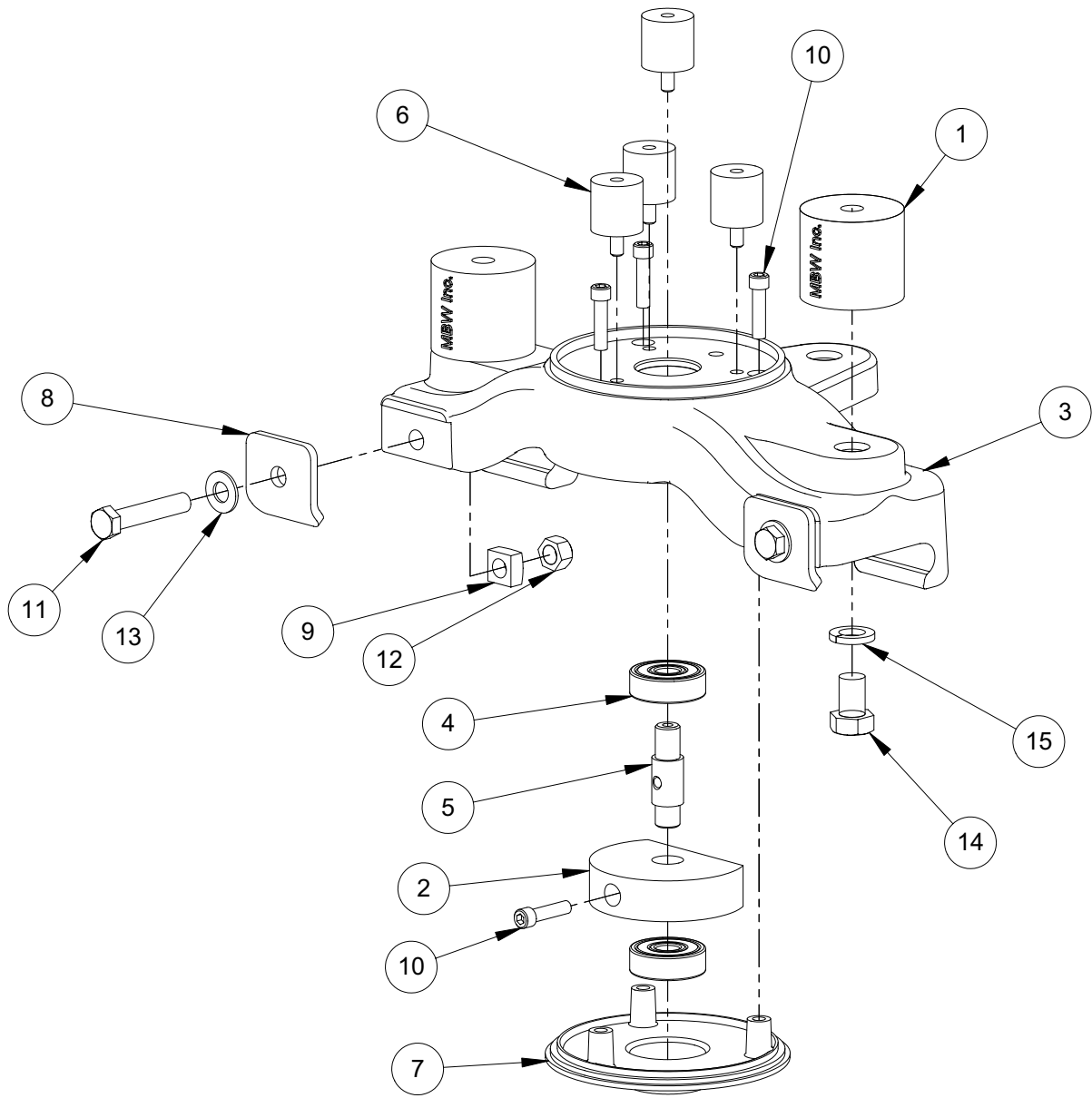
Part #	Width	Weight
17808	8 ft (2.44 m)	14.3 lb (6.5 kg)
17810	10 ft (3.05 m)	17.8 lb (8.1 kg)
17812	12 ft (3.66 m)	21.3 lb (9.7 kg)
17814	14 ft (4.27 m)	24.8 lb (11.3 kg)
17816	16 ft (4.88 m)	28.3 lb (12.8 kg)

Specifications subject to change without notice



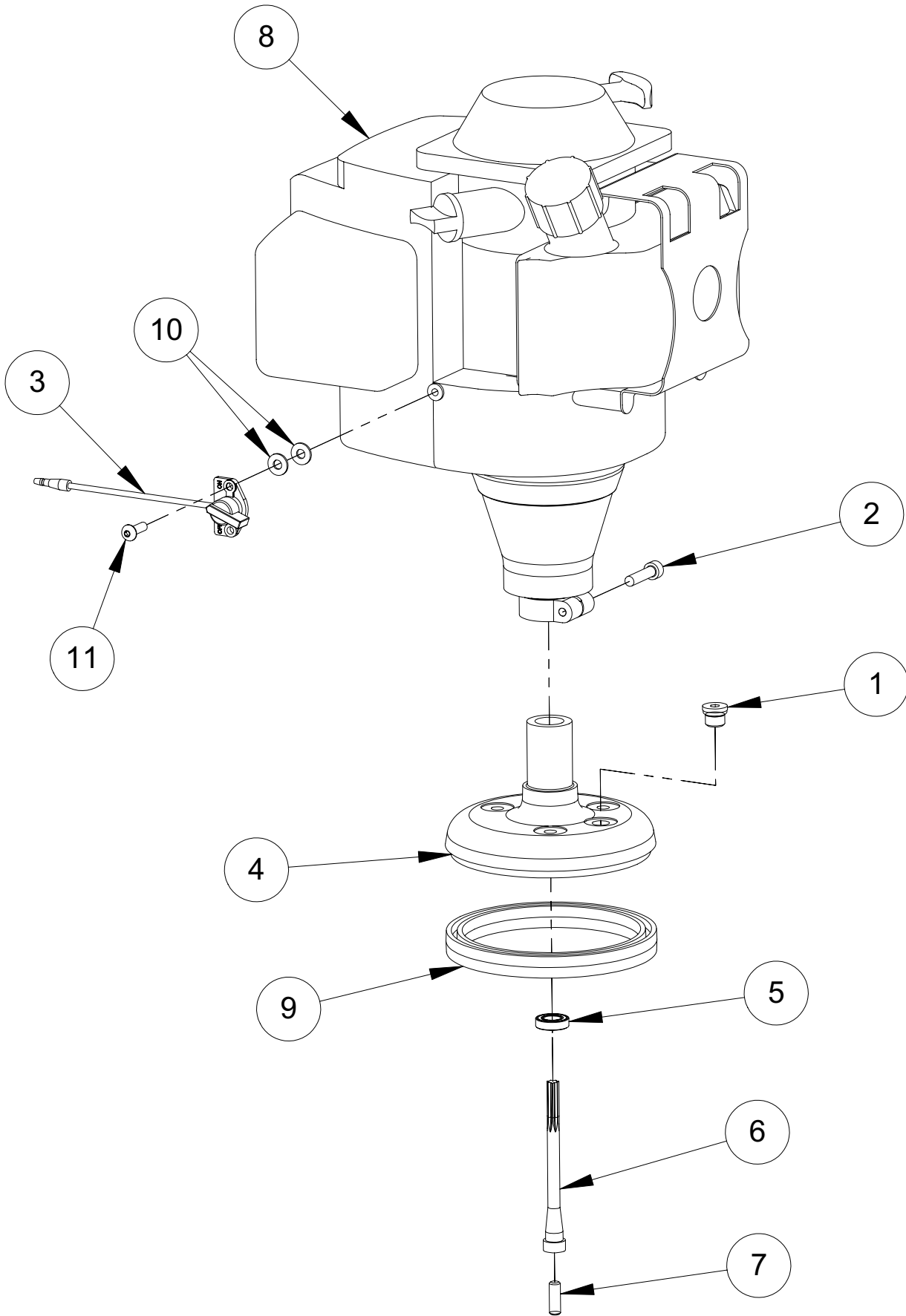
Main Assembly

ITEM	PART NO.	DESCRIPTION	QTY
1.	17061	GRIP	2
2.	17170	SHOCKMOUNT, 2" OD X 1-3/4" LONG	1
3.	17245	DOWEL PIN, 1/4" X 1.75"	1
4.	17263	LEVER, THROTTLE	1
5.	17264	CABLE, THROTTLE (HONDA ENGINE)	1
	17793	CABLE, THROTTLE (ROBIN ENGINE)	1
6.	17639	WASHER, SEALING	3
7.	17647	KNOB, CLAMPING	1
8.	17649	CLAMP	1
9.	17651	STUD, 1/2-13 X 1-1/2" LONG	1
10.	17653	MOUNT, HANDLE	1
11.	17656	HANDLE, LIFTING	1
12.	17660	STAND	1
13.	17661	WASHER, NYLON	2
14.	17662	CAP	2
15.	17719	HANDLE	1
16.	17726	EXCITER ASSEMBLY	1
17.	17808	8' FLOAT	1
	17810	10' FLOAT	1
	17812	12' FLOAT	1
	17814	14' FLOAT	1
	17816	16' FLOAT	1
18.	17831	END CAPS, FLOAT (CONTAINS ALL 4 CAPS NEEDED FOR FLOAT)	1
19.	F013203TCS	THREAD CUTTING SCREW, #6-32 X 3/8"	2
20.	F042003HCS	HEX HEAD CAP SCREW, 1/4"-20 X 3/8"	3
21.	F042032HCS	HEX HEAD CAP SCREW, 1/4"-20 X 4"	1
22.	F0420ELN	LOCKNUT, 1/4"-20	2
23.	F04PW	WASHER, 1/4"	1
24.	F051808SCS	SOCKET HEAD CAP SCREW, 5/16"-18 X 1"	2
25.	F05LW	LOCKWASHER, 5/16"	2
26.	F081306HCS	HEX HEAD CAP SCREW, 1/2"-13 X 3/4"	1
27.	F08LW	LOCKWASHER, 1/2"	1
28.			
29.			
30.			
31.			
32.			
33.			
34.			
35.			
36.			
37.			
38.			
39.			
40.			
41.			
42.			
43.			
44.			
45.			



Exciter Assembly

ITEM	PART NO.	DESCRIPTION	QTY
1.	17170	SHOCKMOUNT, 2" OD X 1-3/4" LONG	2
2.	17619	EXCITER WEIGHT	1
3.	17939	KIT, EXCITER HOUSING & COVER	1
4.	17640	BEARING, BALL	2
5.	17642	SHAFT, EXCITER	1
6.	17643	SHOCKMOUNT, 1" OD X 1" LONG	4
7.	17939	KIT, EXCITER HOUSING & COVER	1
8.	17725	PLATE, CLAMPING	2
9.	17736	NUT, SQUARE, 3/8"-16	2
10.	F042008SCS	SOCKET HEAD CAP SCREW, 1/4"-20 X 1"	4
11.	F061616HCS	HEX HEAD CAP SCREW, 3/8"-16 X 2"	2
12.	F0616DLN	LOCKNUT, 3/8"-16 DEFORMED	2
13.	F06PW	WASHER, 3/8"	2
14.	F081306HCS	HEX HEAD CAP SCREW, 1/2"-13 X 3/4"	2
15.	F08LW	LOCKWASHER, 1/2"	2
16.			
17.			
18.			
19.			
20.			
21.			
22.			
23.			
24.			
25.			
26.			
27.			
28.			
29.			
30.			
31.			
32.			
33.			
34.			
35.			
36.			
37.			
38.			
39.			
40.			
41.			
42.			
43.			
44.			
45.			
46.			
47.			
48.			
49.			
50.			



Engine and Engine Mount

ITEM	PART NO.	DESCRIPTION	QTY
1.	09618	FITTING, PLUG	1
2.	15304	SOCKET HEAD CAP SCREW, M6 X 25mm	1
3.	17296	SWITCH, ENGINE STOP	1
4.	17634	FLANGE, ENGINE MOUNT	1
5.	17635	BEARING, BALL	1
6.	17636	SHAFT	1
7.	17637	STUD, 1/4"-20 X 3/4"	1
8.	17709	ENGINE, HONDA GX31TA2	1
9.	17792	ENGINE, ROBIN EH035V	1
	17711	RUBBER SEAL	1
10.	F03PW	WASHER, 7/32" ID X 1/2" OD	2
11.	M05C016BCS	BUTTON HEAD CAP SCREW, M5 X 16mm	1
12.			
13.			
14.			
15.			
16.			
17.			
18.			
19.			
20.			
21.			
22.			
23.			
24.			
25.			
26.			
27.			
28.			
29.			
30.			
31.			
32.			
33.			
34.			
35.			
36.			
37.			
38.			
39.			
40.			
41.			
42.			
43.			
44.			
45.			
46.			
47.			
48.			
49.			