

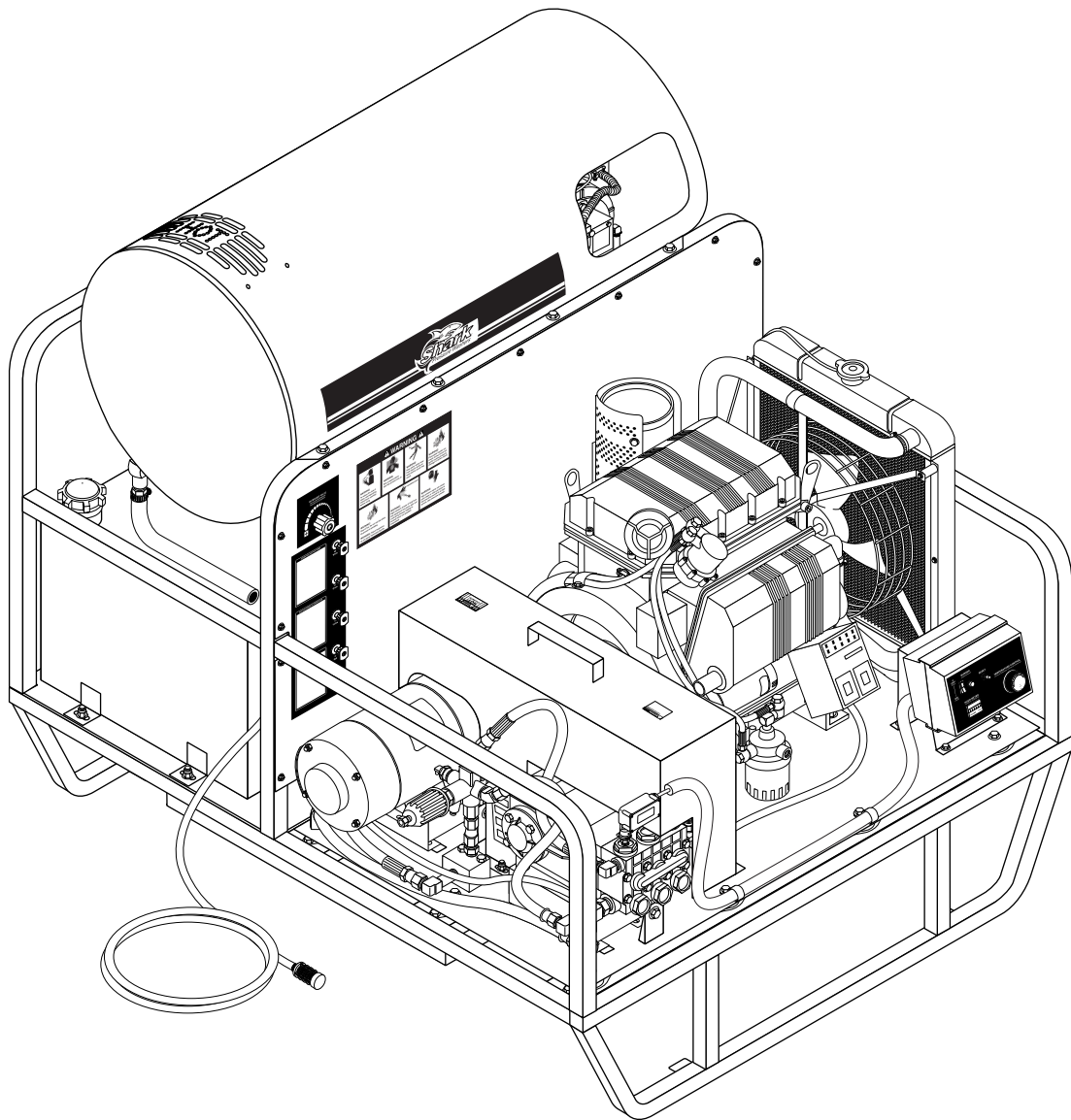


SSD

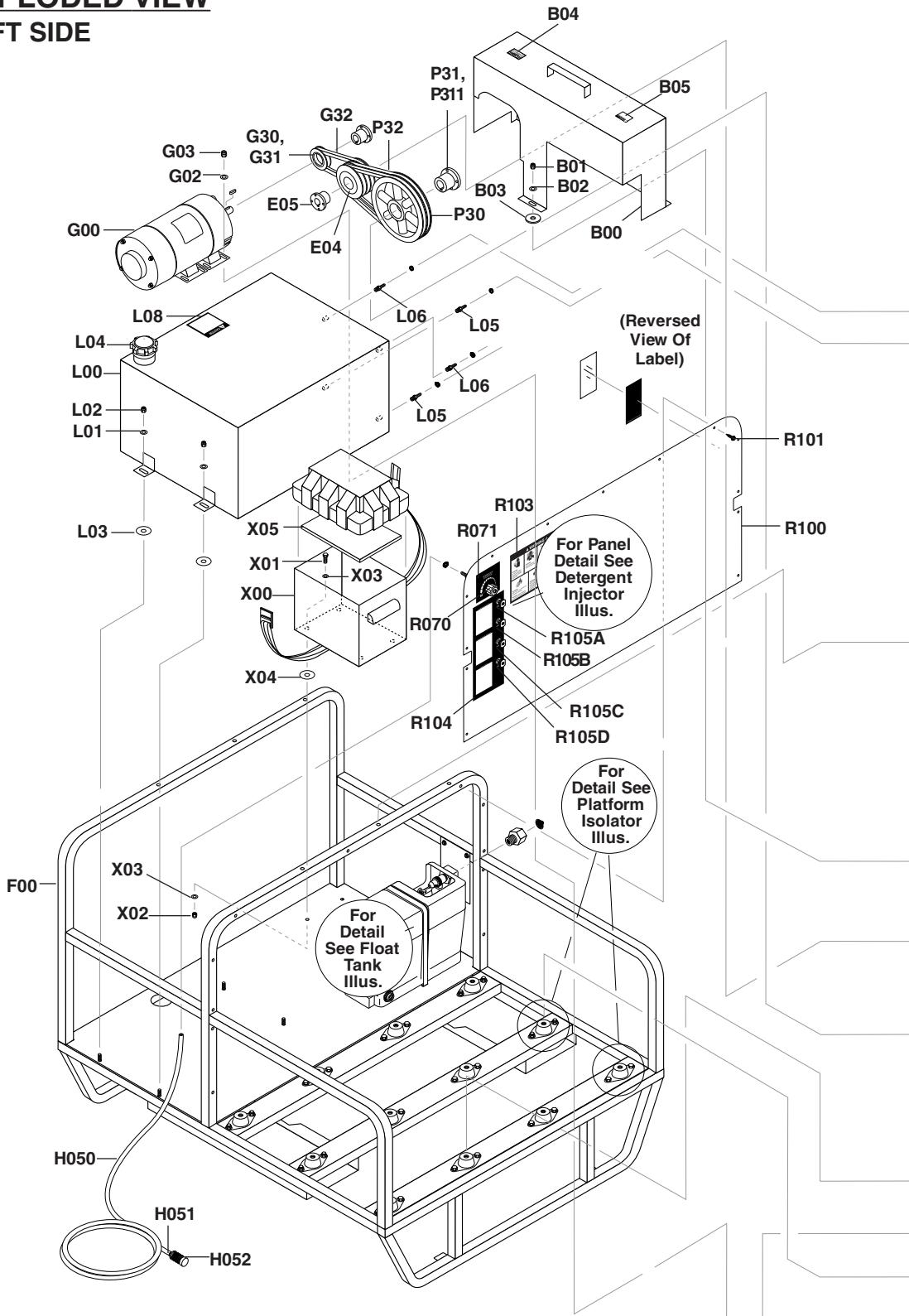
DIESEL

OPERATOR'S MANUAL

-
- | | |
|---------------|-----------------|
| ■ SSD-503067E | ■ SSD-503067E/G |
| ■ SSD-503061E | ■ SSD-503061E/G |
-



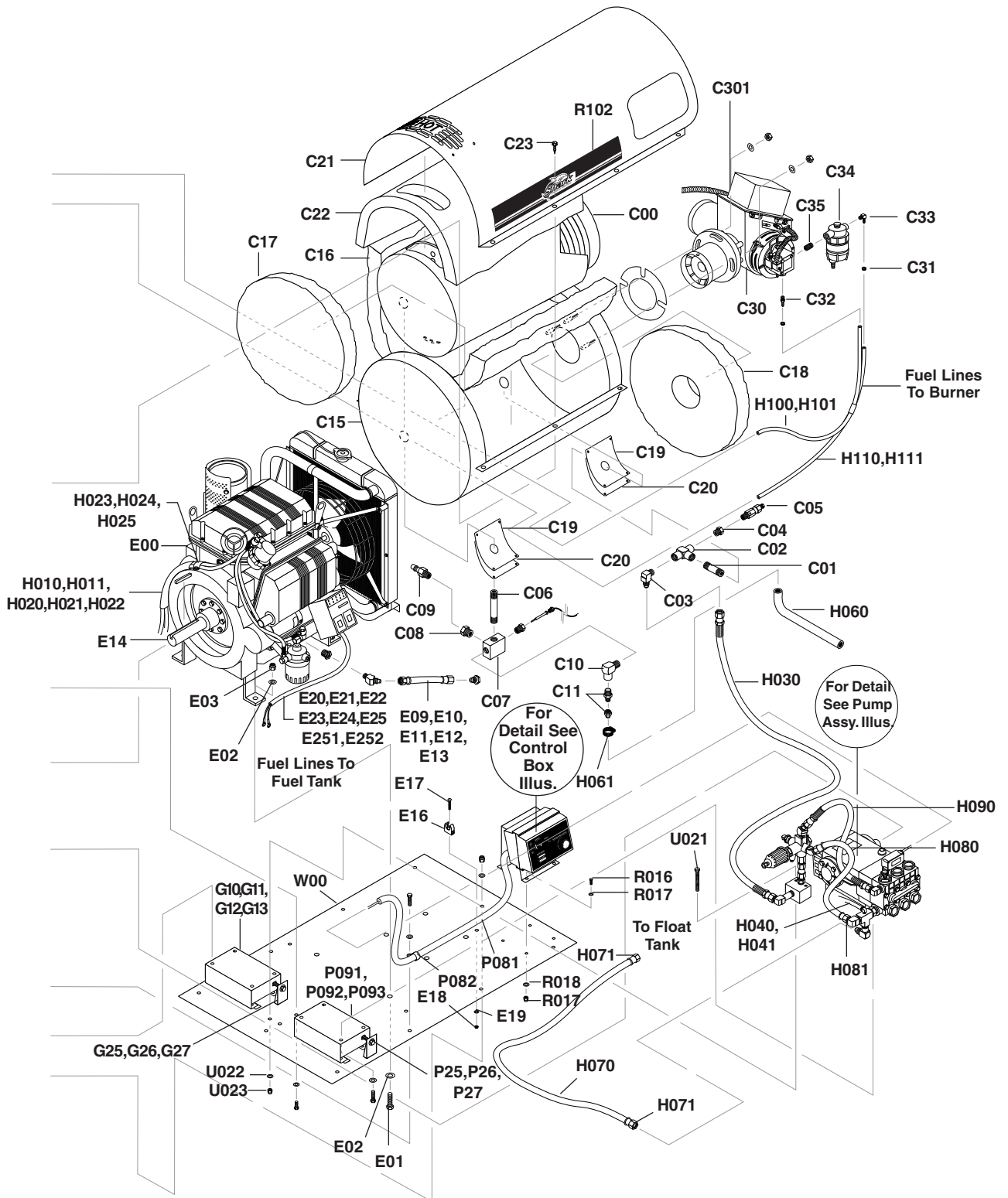
EXPLODED VIEW
LEFT SIDE



LEGEND

G = Generator	L = Fuel Tank	B = Beltguard	U = Unloader
R = Controls	F = Frame	H = Hose	P = Pump
E = Engine	X = Battery Box	W = Power Platform	C = Coil
N = Final Assembly	T = Float Tank		

EXPLODED VIEW RIGHT SIDE



EXPLODED VIEW - PARTS LIST

12VDC Models: 503067E, 503061E

120VAC Models: 503067E/G, 503061E/G

LEGEND

G = Generator	L = Fuel Tank	B = Beltguard	U = Unloader
R = Controls	F = Frame	H = Hose	P = Pump
E = Engine	X = Battery Box	W = Power Platform	C = Coil
N = Final Assembly	T = Float Tank		

ITEM	PART NO.	DESCRIPTION	QTY
B00	95-07200077	Belt Guard, Diesel SS (503061E/G, 503067E/G)	1
	95-07200080	Belt Guard, 12VDC Diesel SS (503067E, 503061E)	1
B01	90-2002	Nut, 3/8" ESNA, NC	3
B02	90-4002	Washer, 3/8", SAE, Flat	3
B03	2-0108	Bumper Pad, Engine	2
B04	10-02025A	Label, Hot/Caliente w/Arrows Warning	1
B05	10-02028	Label, Warning-Exposed Pulleys	1
C00	95-07200055	Coil, Rodless	1
C01	2-000891	Nipple, 1/2" x 2-1/2", Galv. SCH 80	1
C02	2-0036	Tee, 1/2" Female, Steel Pipe	1
C03	2-0054	Elbow, 1/2" JIC, 1/2", 90°	1
C04	2-00681	Bushing, 1/2" x 3/8", Steel	1
C05	2-3245	Valve, Safety Relief, 4500 PSI	1
C06	2-00101	Nipple, 1/2" x 4", Galv. SCH 80	1
C07	95-07101226	Block, Discharge, Brass, 1/2" x 1/2"	1
C08	2-00681	Bushing, 1/2" x 3/8", Steel	1
C09	2-2007	Nipple, 3/8" x 3/8" NPT ST Male	1
C10	2-0032	Elbow, 1/2", Street	1
C11	2-3408	Disk, Rupture Assy, 8000 PSI	1
C15	95-07200012	Weldment, Bottom Wrap, SS	1
C16	7-01430	Insulation, Blanket, No Foil	1
C17	7-0140	Insulation, Front Head, No Hole	1
C18	7-0141	Insulation, Burner Head, w/Hole	1
C19	7-0144	Gasket, Burner Plate	2
C20	95-07121113	Insulation Retainer	2
C201	90-2990	▲ Screw, SS #10 HH Tek	8
C21	95-07200010	Top Wrap, SS	1
C211	90-40021	▲ Washer, 3/8", SAE, SS	4
C22	7-01484	Insulation/Blanket, Die-Cut	28
C23	90-19959	Screw, 3/8" x 1" HX Wash Head	8
C30	Burner Assembly, See Burner Spec's Page 23		

ITEM	PART NO.	DESCRIPTION	QTY
C301	6-0516	Strain Relief, 1/2" Metal, Two Screw	1
C31	2-9040	Clamp, Hose, 1/4"	4
C32	2-10893	Hose Barb, 1/4" Barb x 1/4" ML Pipe	1
C33	2-1089	Hose Barb, 1/4" Barb x 1/4" Pipe, 90°	1
C34	2-99050	Filter, Fuel, Water Separator	1
C35	2-1003	Nipple, 1/4" Hex	1
E00	5-0405	Engine, Lombardini Diesel, 15 HP	1
E01	90-101810	Bolt, 3/8" x 1-1/2", HH NC GRD 8, Zinc	4
E02	90-4002	Washer, 3/8", SAE, Flat	9
E03	90-2002	Nut, 3/8" ESNA, NC	4
E04	5-407034	Pulley, 3TB34	1
E05	5-531114	Bushing, P2 x 1-1/2"	1
E051	90-1007	Bolt, 5/16" x 1", NC HH	3
E09	2-11065	Adapter, M18-1.5" x 3/8" FNPT	1
E10	2-0051	Nipple, 1/2" JIC, 3/8" FNPT	1
E11	4-02100000	Hose, 1/2" Push-On	2 ft
E12	2-1105	Swivel, 1/2" Fem, Push-On	2
E13	2-1050	Plug, 1/2" JIC, Flare, 639F-8	1
E14	74-9997832	Shaft, Lombardini LDW602/903	1
E15	74-9170104	▲ Deflector, Exhaust	1
E16	2-9013	Clamp, 1/2" Ro-Clip, Kleinhuis	1
E17	90-1994	Screw, 10/32" x 1-1/4" RH, SL, Blk	1
E18	90-017	Nut, 10/32" KEPS	1
E19	90-4000	Washer, 1/4", Flat, SAE	1
E20	6-0117	Wire, THWN, 6 GA, Red	6.7ft
E21	6-0118	Wire, THWN, 6 GA, Black	5.8ft
E22	6-0503	Terminal, Ring Tongue	2
E23	6-05030	Terminal, Ring Tongue	2
E24	6-05101	Connector, Battery Post	2
E25	7-0139	Insulation, Fiber Sleeving, 1/2"	3.5ft
E251	2-9016	Clamp, Round, 0.56 ID	3
E252	90-300210	Screw, #14 x 1", TEK, Blk., Zinc	3

EXPLODED VIEW - PARTS LIST

12VDC Models: 503067E, 503061E

120VAC Models: 503067E/G, 503061E/G

LEGEND

G = Generator	L = Fuel Tank	B = Beltguard	U = Unloader
R = Controls	F = Frame	H = Hose	P = Pump
E = Engine	X = Battery Box	W = Power Platform	C = Coil
N = Final Assembly	T = Float Tank		

ITEM	PART NO.	DESCRIPTION	QTY
E26	74-5000004	▲ Kit, Pressure Switch, Oil Dual Port (503061E, 503067E)	1
F00	95-07200075	Frame Assy, Diesel	1
G00	6-0601	Generator, 2FSM2PC-1/A, WINC (503061E/G, 503067E/G)	1
G01	90-1016	▲ Bolt, 3/8" x 1", NC HH (503061E/G, 503067E/G)	4
G02	90-4002	Washer, 3/8", SAE, Flat (503061E/G, 503067E/G)	8
G03	90-2002	Nut, 3/8", ESNA, NC (503061E/G, 503067E/G)	4
G10	95-07200009	Weldment, Pump/Gen. Rail (503061E/G, 503067E/G)	1
G11	90-1016	▲ Bolt, 3/8" x 1", NC HH (503061E/G, 503067E/G)	3
G12	2-011981	▲ Washer, Snubbing (503061E/G, 503067E/G)	3
G13	90-4009	▲ Washer, 3/8", Lock, Split Ring (503061E/G, 503067E/G)	3
G25	90-10220	Bolt, 3/8" x 3-1/2", TAP (503061E/G, 503067E/G)	1
G26	90-4002	Washer, 3/8", SAE, Flat (503061E/G, 503067E/G)	4
G27	90-2007	Nut, 3/8", Hex, NC (503061E/G, 503067E/G)	2
G30	5-40403201	Pulley, BK 32 H (503061E/G, 503067E/G)	1
G31	5-511063	▲ Bushing, H x 5/8" (503061E/G, 503067E/G)	1
G32	5-604022	Belt, BX22 Sub#5L250 (503061E/G, 503067E/G)	1
H010	4-02100001	Hose, 3/16", Push-On, Fuel Line	4ft
H011	2-9000	Clamp, Screw, #4	2
H020	4-02100000	Hose, 1/4", Push-On, Fuel Line	3.3ft
H021	2-9000	Clamp, Screw, #4	2
H022	7-0139	Insulation, Fiber Sleeving, 1/2"	2.5ft
H023	2-9016	Clamp, Round, 0.56 ID	1
H024	90-1030	Bolt, 8mm x 16mm Hex Head	1
H025	90-4008	Washer, 5/16", Lock, Split Ring	1
H030	4-02047762	Hose, 3/8" X 62", 2 Wire, Pressure	1

ITEM	PART NO.	DESCRIPTION	QTY
H040	4-02090000	Hose, 1/4" x 1/2", Braided Vinyl	4ft
H041	2-9040	Clamp, Hose, 1/4"	4
H050	4-02080000	Tube, 1/4" x 1/2", Clear Vinyl	6ft
H051	2-9040	Clamp, Hose, 1/4"	1
H052	2-1905	Strainer, 1/4", Brass w/Check	1
H060	4-02130050	Hose, 7/8" Push-On, Conduit, 0.73	1ft
H061	2-90041	Clamp, Screw, #16 Micro	1
H070	4-02110000	Hose, 1/2", Push-On	4ft
H071	2-1105	Swivel, 1/2" FJIC, Push-On	2
H080	4-02110000	Hose, 1/2" Push-On	1.25ft
H081	2-1108	Swivel, 1/2" FJIC, Push-On	2
H090	4-02047716	Hose, Pressure, 3/8" x 16"	1
H100	4-02100000	Hose, 1/4", Push-On, Fuel Line	1.6ft
H101	2-9000	Clamp, Screw #4	2
H110	4-02100000	Hose, 1/4", Push-On, Fuel Line	2.1ft
H111	2-9000	Clamp, Screw, #4	2
L00	95-07200081	Fuel Tank Assy, 20 Gal. MS	1
L01	90-4001	Washer, 5/16", Flat, SAE	4
L02	90-2001	Nut, 5/16", ESNA, NC	4
L03	2-0108	Bumper Pad, Engine	4
L04	2-01153	Cap, Fuel Tank, Plastic	1
L05	2-1088	Hose Barb, 1/4" Barb x 1/8" ML Pipe, 90°	3
L06	2-10893	Hose Barb, 1/8" Barb x 1/8" MPT, 90°	1
L07	2-1046	▲ Plug, 1/4" Countersunk	1
L08	10-020110	Label, Use Only Kerosene	1
P081	7-0139	Insulated, Fiber Sleeving, 1/2"	3 ft
P082	2-9016	Clamp, Round, 0.56 ID	2
P091	90-1016	▲ Bolt, 3/8" x 1", NC HH	3
P092	2-011981	▲ Washer, Snubbing	3
P093	90-4009	▲ Washer, 3/8" Lock, Split Ring	3
P25	90-10220	Bolt, 3/8" x 3-1/2", Tap	1
P26	90-4002	Washer, 3/8", SAE, Flat	4
P27	90-2007	▲ Nut, 3/8", Hex, NC	2
P30	5-40510001	Pulley, 2BK 100 H	1

EXPLODED VIEW - PARTS LIST

12VDC Models: 503067E, 503061E

120VAC Models: 503067E/G, 503061E/G

LEGEND

G = Generator	L = Fuel Tank	B = Beltguard	U = Unloader
R = Controls	F = Frame	H = Hose	P = Pump
E = Engine	X = Battery Box	W = Power Platform	C = Coil
N = Final Assembly	T = Float Tank		

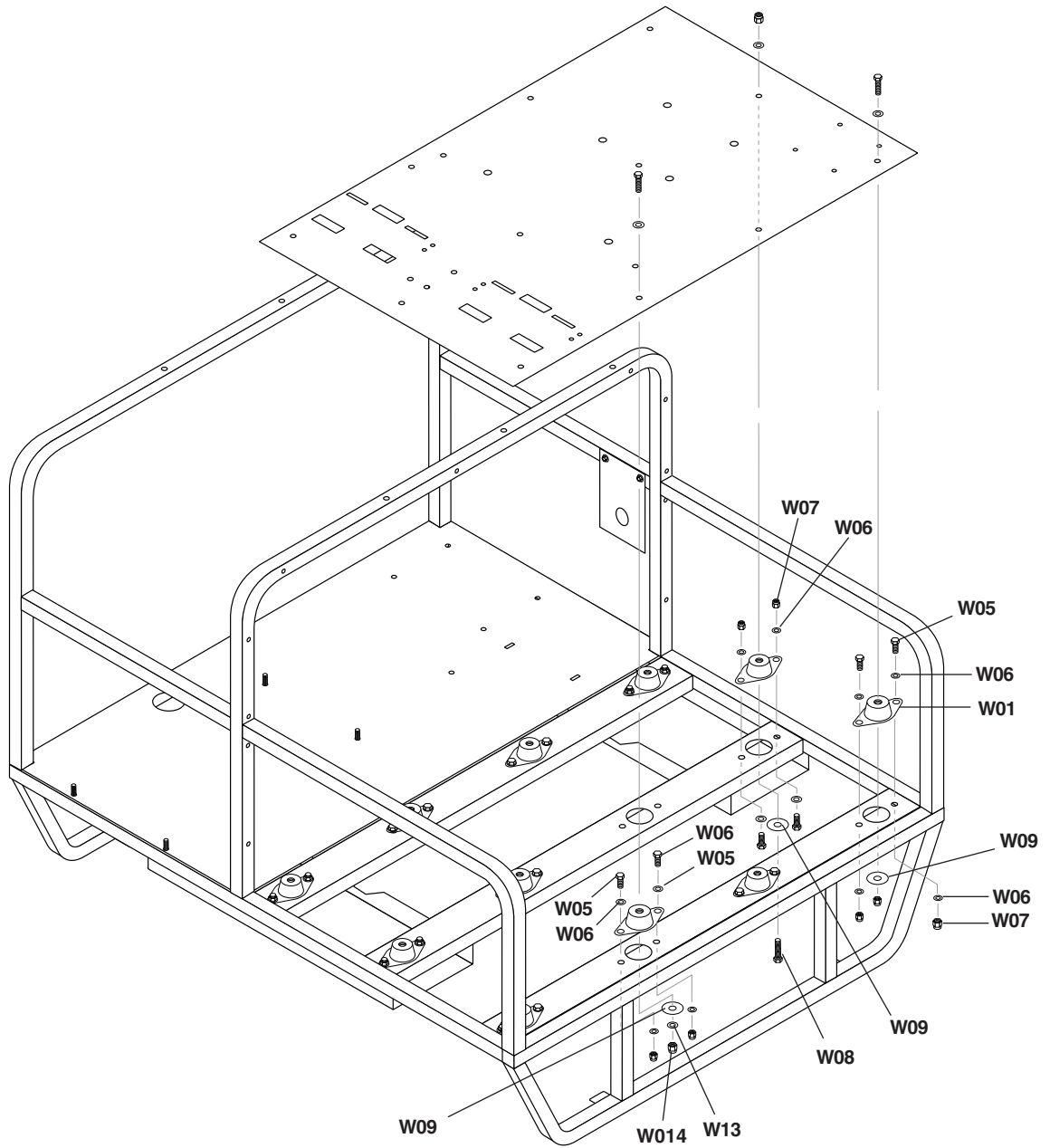
ITEM	PART NO.	DESCRIPTION	QTY
P31	5-512024	Bushing, H x 24MM	1
P311	90-1002	Bolt, 1/4" x 1" Hex Head, Zinc, Grade 5	2
P32	5-604034	Belt, BX34	2
R016	90-1007	Bolt, 5/16" x 1", NC HH	4
R017	90-2001	Nut, 5/16", ESNA, NC	4
R018	90-4001	Washer, 5/16", Flat, SAE	8
R070	2-30152	Valve, Metering, 1/4" Hose	1
R071	11-0711	Label, Detergent Valve	1
R100	95-07200073	Control Panel	1
R101	90-300210	Screw, #14 x 1", Tek, Blk., Zinc 13	
R102	11-0602	Label, Stripe, 17"	1
R103	11-1043	Label, Warning, Text	1
R104	11-1044	Label, Control Panel	1
R105a	4-12805000	Nozzle, SAQCMEG 0005, Red (503061E/G, 503067E/G)	1
R105b	4-12805015	Nozzle, SAQCMEG 1505, Yellow (503061E/G, 503067E/G)	1
R105c	4-12805025	Nozzle, SAQCMEG 2505, Green (503061E/G, 503067E/G)	1
R105d	4-12805040	Nozzle, SAQCMEG 4005, White (503061E/G, 503067E/G)	1
U021	90-10210	Bolt, 3/8" x 3", GRD 5, Zinc	2
U022	90-4002	Washer, 3/8", SAE, Flat	2
U023	90-2002	Nut, 3/8", ESNA, NC	2
W00	95-07200076	Assy, Power Platform, Diesel	1
X00	2-0115	Box, Battery, M100	1
X01	90-1002	Bolt, 1/4" x 1", Hex Head	4
X02	90-2000	Nut, 1/4", ESNA, NC	4
X03	90-4000	Washer, 1/4", Flat, SAE	8
X04	2-0108	Bumper Pad, Engine	4
X05	2-011500	Plate, Battery Box, Large, PO	1

▲ Not Shown

PLATFORM ISOLATOR EXPLODED VIEW - PARTS LIST

LEGEND

G = Generator	L = Fuel Tank	B = Beltguard	U = Unloader
R = Controls	F = Frame	H = Hose	P = Pump
E = Engine	X = Battery Box	W = Power Platform	C = Coil
N = Final Assembly	T = Float Tank		



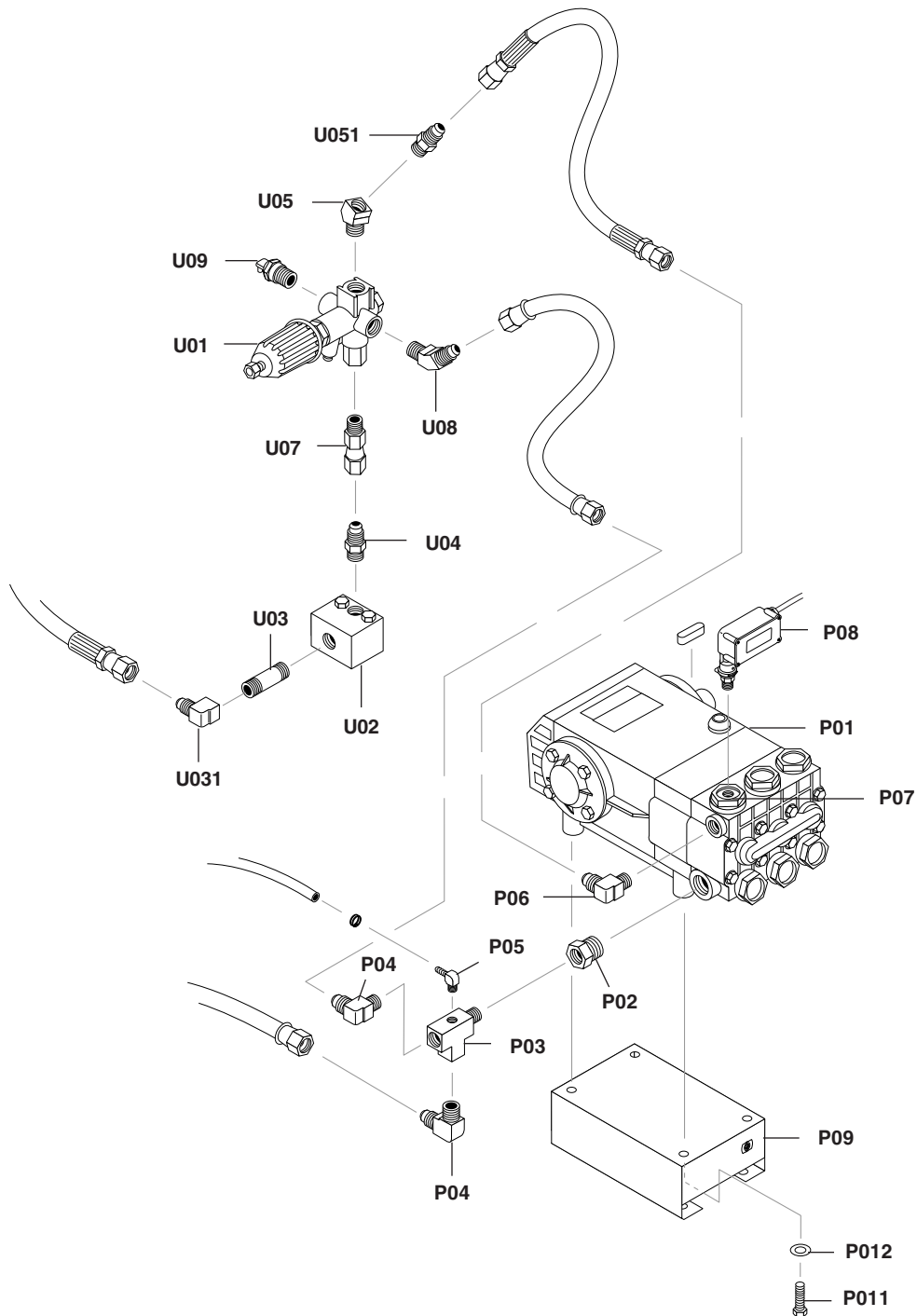
ITEM	PART NO.	DESCRIPTION	QTY
W01	2-01013	Isolator, Vibration Mount, 100L	11
W05	90-1007	Bolt, 5/16" x 1", NC HH	22
W06	90-4001	Washer, 5/16", Flat, SAE	44
W07	90-2001	Nut, 5/16", ESNA, NC	22
W08	90-1021	Bolt, 3/8" x 2-1/2" GR 5 Zinc	9
W09	2-011981	Washer, Snubbing	11

ITEM	PART NO.	DESCRIPTION	QTY
W10	90-4002	Washer, 3/8", SAE, Flat	9
W11	90-2002	Nut, 3/8", ESNA, NC	9
W12	90-1012	Bolt, 5/16" x 2-1/2", NC HH	2
W13	90-4001	Washer, 5/16", Flat, SAE	4
W14	90-2001	Nut, 5/16", ESNA, NC	2

**SSD DIESEL
PUMP ASSEMBLY**

LEGEND

G = Generator	L = Fuel Tank	B = Beltguard	U = Unloader
R = Controls	F = Frame	H = Hose	P = Pump
E = Engine	X = Battery Box	W = Power Platform	C = Coil
N = Final Assembly	T = Float Tank		



SSD DIESEL PUMP ASSEMBLY PARTS LIST

LEGEND

G = Generator	L = Fuel Tank	B = Beltguard	U = Unloader
R = Controls	F = Frame	H = Hose	P = Pump
E = Engine	X = Battery Box	W = Power Platform	C = Coil
N = Final Assembly	T = Float Tank		

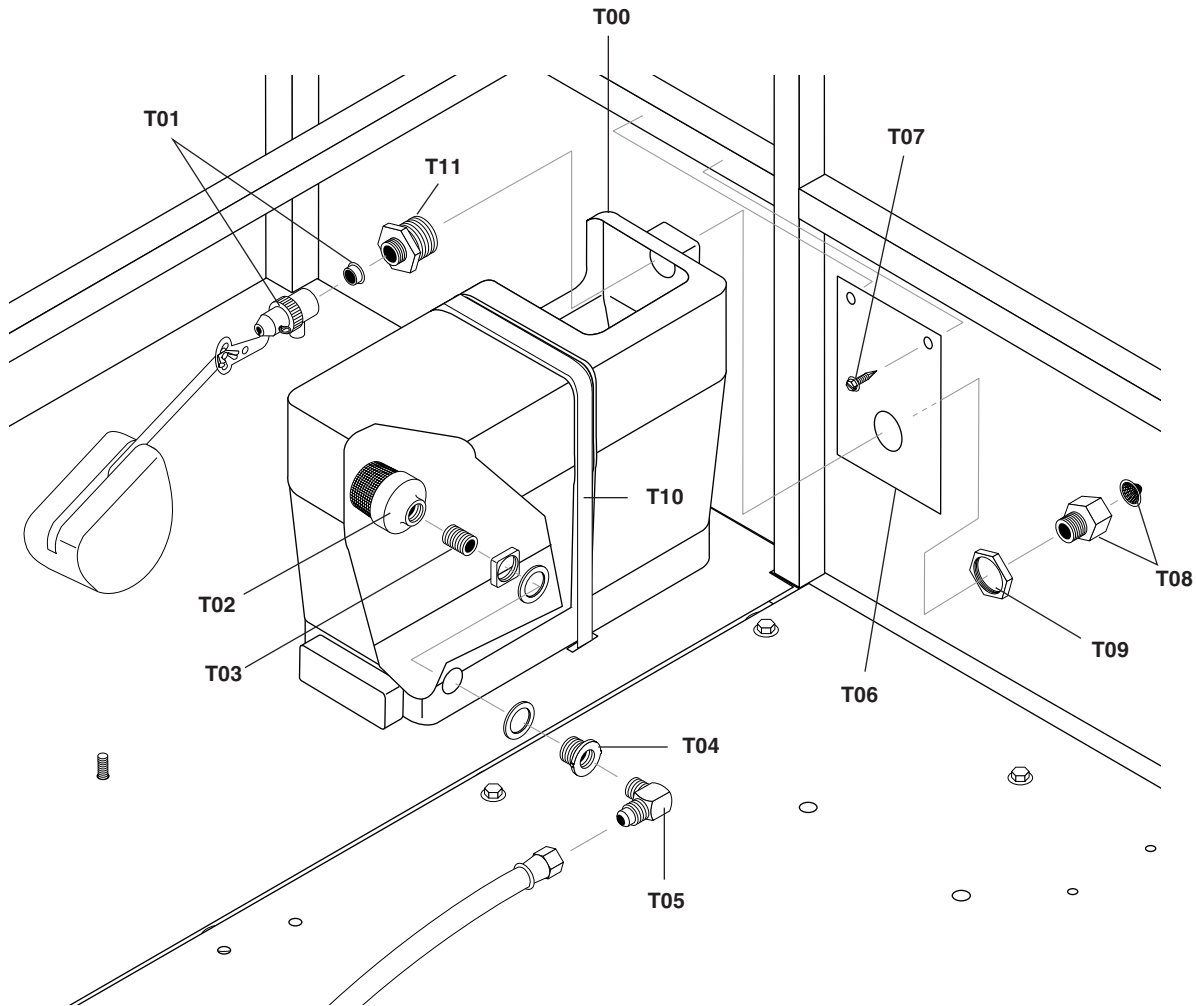
ITEM	PART NO.	DESCRIPTION	QTY
P01	5-2307	General Pump TS-2021 (503061E, 503061E/G)	1
	5-1661	Pump, Legacy TT-3555, 5.5 @ 3500, 1450 RPM (503067E, 503067E/G)	1
P011	1-99364400	Screw, Pump (503067E, 503067E/G)	4
P012	1-96710600	Washer, Lock, Pump (503067E, 503067E/G)	4
P02	2-1081	Bushing, 3/4" x 1/2" Pipe (503067E, 503067E/G)	1
P03	2-10421	Tee, 1/2" with 1/8" Hole, Street	1
P04	2-1062	Elbow, 1/2" JIC, 3/8", 90°	2
P05	2-1088	Hose Barb, 1/4" Barb x 1/8" ML Pipe, 90°	1
P06	2-0053	Elbow, 1/2" JIC, 3/8", 90°	1
P07	1-190029	Cap, Valve with 1/4" Gauge Port, T Series (503061E, 503061E/G)	1
	15-070042532	Cap, Valve with 1/4" Gauge Port w/O-Ring (503067E, 503067E/G)	1
P08	6-021720	Switch, Pressure, N/O, 1/4" NPT SS	1
P09	95-07200054	Weldment, Pump Rail, Wide	1
U01	5-3208	Unloader, AL-VRT 607, 7.8 GPM @ 4200 PSI	1
U02	95-071012150/B	Block Unloader, 1/2" x 1/2", Brass	1
U03	2-000891	Nipple, 1/2" x 2-1/2", Galv. SCH 80	1
U031	2-00602	Elbow, 1/2" FNPT x 1/2" MJIC	1
U04	2-0052	Nipple, 1/2" JIC, 1/2" Pipe	1
U05	2-00575	Elbow, 3/8", Street, 45°	1
U051	2-0051	Nipple, 1/2" MJIC x 3/8" NPT	1
U07	2-0079	Swivel, 1/2" JIC Fem, 3/8" MAL	1
U08	2-106301	Elbow, 1/2" JIC x 3/8", 45°	1
U09	2-300816	Pump Protector, 3/8" PTP	1

SSD FLOAT TANK ASSEMBLY & PARTS LIST

EXPLODED VIEW

LEGEND

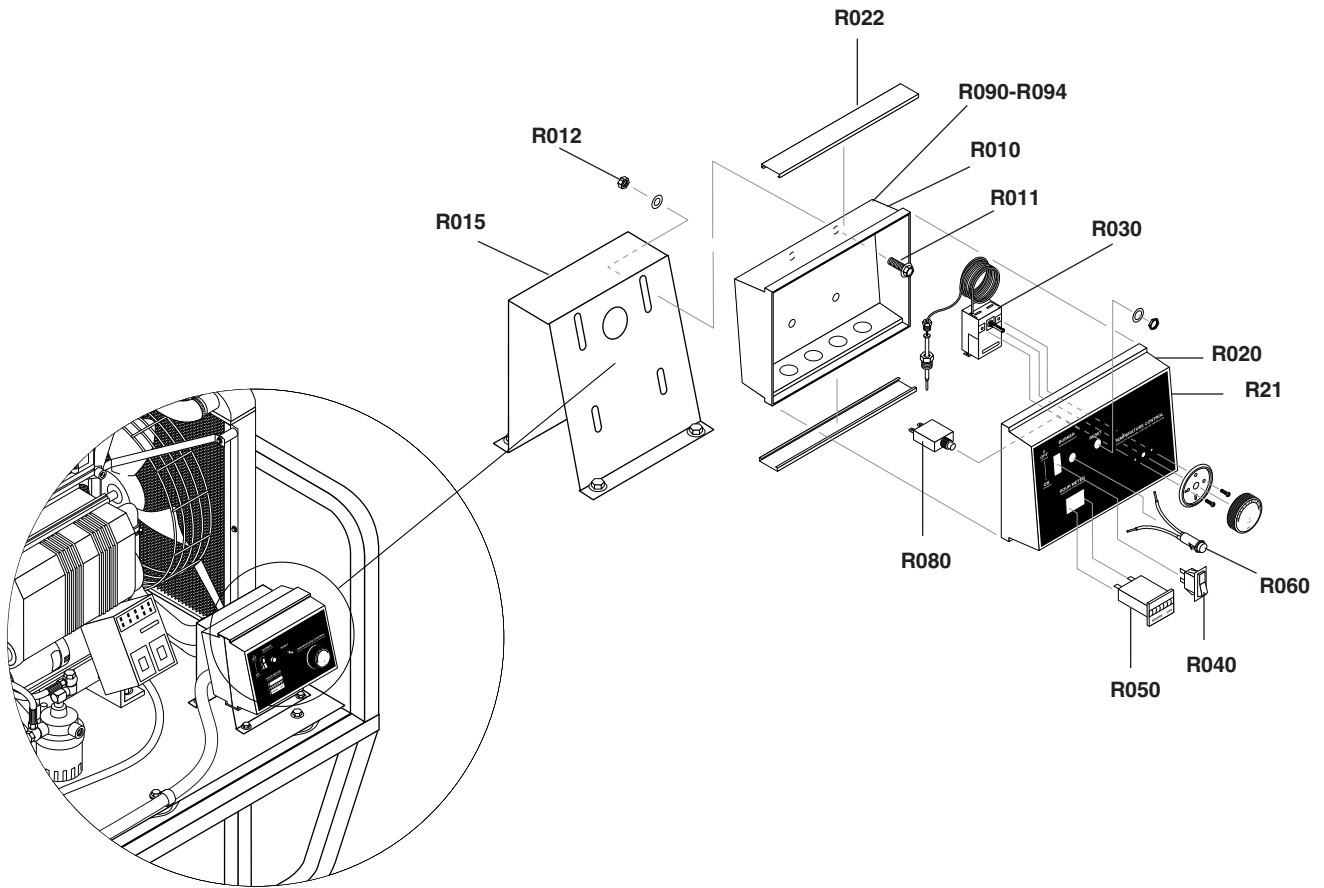
G = Generator	L = Fuel Tank	B = Beltguard	U = Unloader
R = Controls	F = Frame	H = Hose	P = Pump
E = Engine	X = Battery Box	W = Power Platform	C = Coil
N = Final Assembly			



ITEM	PART NO.	DESCRIPTION	QTY
T00	2-01164100	Tank, Float, 2-1/2 Gal., Blank	1
T01	2-30123	Valve, Float Brass,	1
T02	2-1906	Strainer, 1/2" Basket	1
T03	2-1006	Nipple, 1/2" Close	1
T04	2-010049	Bulkhead, 1/2" PVC	1
T05	2-1062	Elbow, 1/2" JIC x 1/2", 90°	1
T06	95-07200014	Support Plate, Float Tank	1

ITEM	PART NO.	DESCRIPTION	QTY
T07	90-300210	Screw, #14 x 1", TEK, Blk, Zinc	2
T08	2-10943	Swivel, 3/8" MP x 3/4" GHF w/Strainer	1
T09	2-301232	Nut, 1", Adapter, Float Valve	1
T10	6-05134	Cable, TY, 48"	1
T11	2-301231	Adapter, Float Valve	1

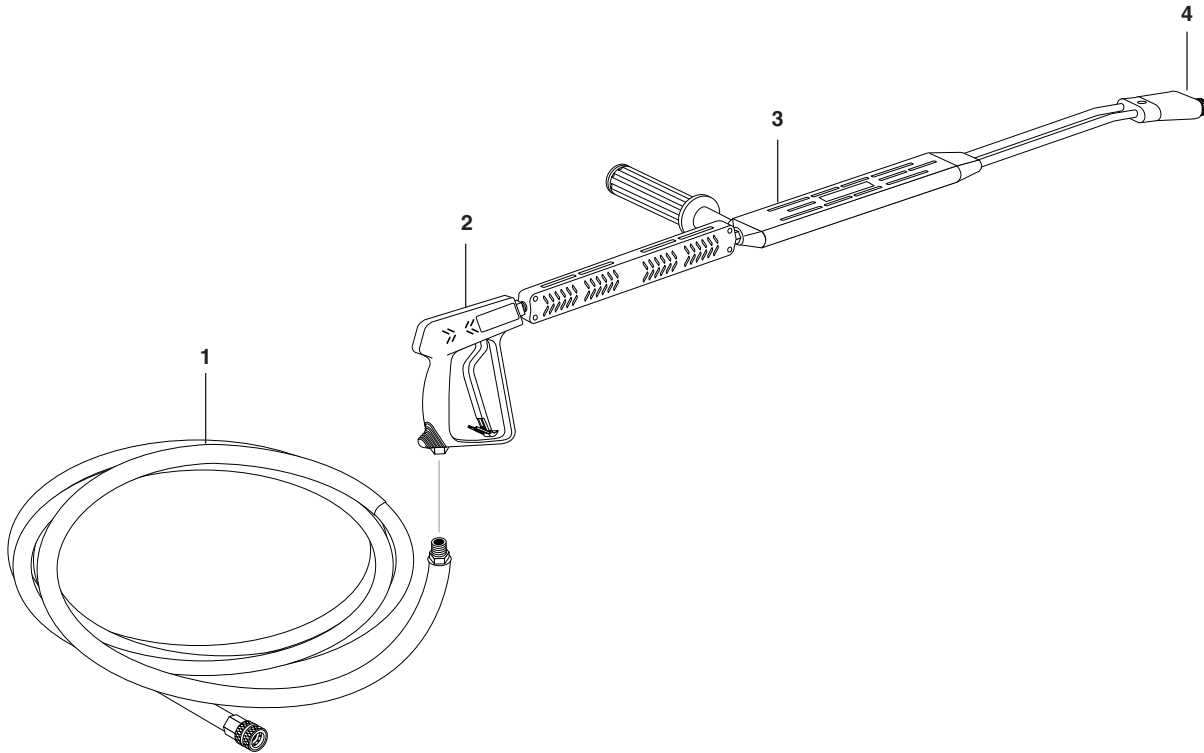
SSD CONTROL BOX EXPLODED VIEW



ITEM	PART NO.	DESCRIPTION	QTY
R010	6-03915	Box, Plastic, Back	1
R011	90-1001	Bolt, 1/4" x 3/4", NC HH	4
R012	90-200012	Nut, 1/4", Flange, ZN	4
R015	95-07200058	Bracket, Electrical Box	1
R020	6-0391601	Box, Plastic, Front, Fabricated	1
R021	11-1045	Label, Electrical Box, w/o Reset (503061E/G, 503067E/G)	1
	11-1047	Label, Electrical Box, w/Reset (503067E, 503061E)	1
R022	6-039141	Channel, .96 x 23 x 7.75 PVC, Elec	2
R030	4-05088	Thermostat, Adjustable, 302°	1
R031	6-01270	▲ Conduit, Corrugated, Tubing	3 ft
R040	6-020251	Switch, Curvette RA901VB-B-1-1	

ITEM	PART NO.	DESCRIPTION	QTY
R050	4-050822	Hour Meter, 115VAC 60HZ (503061E/G, 503067E/G)	1
	4-050823	Hour Meter, 12-28 VDC (503067E, 503061E)	1
R060	6-020530	Light Indicator, Green 125V (503061E/G, 503067E/G)	1
	6-020590	Light Indicator, Green 12V (503067E, 503061E)	1
R080	6-041250	Breaker, 1658-G41-02-P10-25A (503067E, 503061E)	1
R090	6-03671	▲ Relay, P&B, VF4-41H11, 12V/40A (503067E, 503061E)	1
R091	90-1999	▲ Screw, 10/32" x 3/4" BH SOC CS (503067E, 503061E)	1
R092	90-1994	▲ Screw, 10/32" x 1-1/4" (ground)	1
R093	90-017	▲ Nut, 10/32"	8
R094	11-1042	▲ Label, Ground	1
		▲ Not Shown	

SSD HOSE/SPRAY GUN ASSEMBLY & PARTS LIST
ALL MODELS



ITEM	PART NO.	DESCRIPTION	QTY
1	4-02083450C	Hose, 50' x 3/8", 2 Wire, Red, 4000 PSI	1
2	4-01246	Spray Gun, Shut-Off, AP 1000	1
3	4-0111341A	Wand, VP w/Coupler & Nozzle	1

ITEM	PART NO.	DESCRIPTION	QTY
4	2-2000	Coupler, 1/4"	1
	2-20023	Coupler, 1/4" Female	1
	2-0003	▲ Nipple, 1/4" Steel	1
	2-0119	▲ O-Ring, Replacement Only	1
	2-0132	▲ Seal, 1/4" Replacement Only	1
		▲ Not Shown	

BECKETT BURNER SPECIFICATIONS

Model No.	Burner Assy No.	Fuel Nozzle	Transformer	Burner Motor	Fuel Pump/ Solenoid/Cord	Fuel Solenoid Coil	Electrode
SSD-503061E	7-00030	7-0103	7-515242	7-21699	7-00098	7-21854U	7-5780
SSD-503061E/G	7-00011	7-01284	7-51824	7-21344U	7-21844U	7-21755U	7-578703
SSD-503067E	7-00030	7-0103	7-515242	7-21699	7-00098	7-21854U	7-5780
SSD-503067E/G	7-00011	7-01284	7-51824	7-21344U	7-21844U	7-21755U	7-578703

WAYNE BURNER SPECIFICATIONS

Model No.	Burner Assy No.	Fuel Nozzle	Transformer	Burner Motor	Fuel Pump	Fuel Solenoid Coil	Electrode
SSD-503061E/G	7-00034	7-0127	7-20358	7-0005	7-0009	7-0009611	7-13286
SSD-503067E/G	7-00034	7-0127	7-20358	7-0005	7-0009	7-0009611	7-13286