








# CONCRETE SAW PARTS LIST

**MODEL  
CC6566-3**

September 2013

Part #1801992

**CC6566-3 SPEED RPM CHART**

BLADE SIZE	BLADE RPM	GEAR POSITION	ENGINE RPM	MAX CUT DEPTH
14"	2,900	H (High)	2,900	3-3/4"
20"	2,700	H (High)	2,700	6-3/4"
26"	1,925	M (Medium)	2,900	9-3/4"
30"	1,800	M (Medium)	2,700	11-3/4"
36"	1,300	L (Low)	2,900	14-3/4"
42"	1,200	L (Low)	2,700	17-3/4"
				

**WARNING! NEVER EXCEED THE MAXIMUM RPM STAMPED ON BLADE!**  
 EXCESSIVE SPEED CAN CAUSE BLADE BREAKAGE RESULTING IN SERIOUS PERSONAL INJURY OR DEATH.

**⚠️ WARNING**

- Always check the bladeshaft RPM before mounting blade.
- Only use blades with a rated speed higher than the bladeshaft speed.
- Never exceed the maximum RPM stamped on blade. Overspeeding the blade can cause blade breakage and serious personal injury.
- When changing blade size, always adjust bladeshaft RPM according to the speed chart to match recommended blade RPM.
- Do not use a blade flange size smaller than indicated for each blade.
- Never operate saw without the blade guard in place or allow rotating blade exposure to exceed 180 degrees.
- Never stand in line with the blade path when starting or operating saw.
- Never use damaged blades or equipment.
- Refer to operator's manual for additional information about safety, operation and maintenance.

**⚠️ ADVERTENCIA**

- Asegúrese de verificar la velocidad en RPM del eje de la hoja de sierra antes de montar la hoja.
- Use solamente hojas de sierras cuyas velocidades de operación fueron establecidas para velocidades superiores a las velocidades del eje de hoja.
- Nunca exceda la velocidad de operación máxima en RPM estampada en la hoja de sierra. Operar la hoja a una velocidad superior a la establecida puede causar la rotura de la hoja y serias lesiones corporales.
- Cuando cambie el tamaño de la hoja de sierra, asegúrese de ajustar la velocidad en RPM del eje de hoja de acuerdo con la velocidad mencionada en la tabla para que concuerde con la velocidad en RPM establecida para la hoja de sierra.
- No utilice un tamaño más pequeño de pestillos de hoja de sierra que el indicado en cada hoja de sierra.
- Nunca opere la sierra sin haber colocado los protectores en sus lugares correspondientes ni permita que la parte expuesta de la hoja de sierra en rotación exceda los 180 grados.
- No se coloque en la misma dirección que va la hoja de la sierra al arrancar la sierra o cuando esté operando la sierra.
- Nunca use equipos ni hojas de sierras que están dañados.
- Para obtener más información sobre la seguridad de operación, funcionamiento y mantenimiento del equipo, lea el manual del operador.

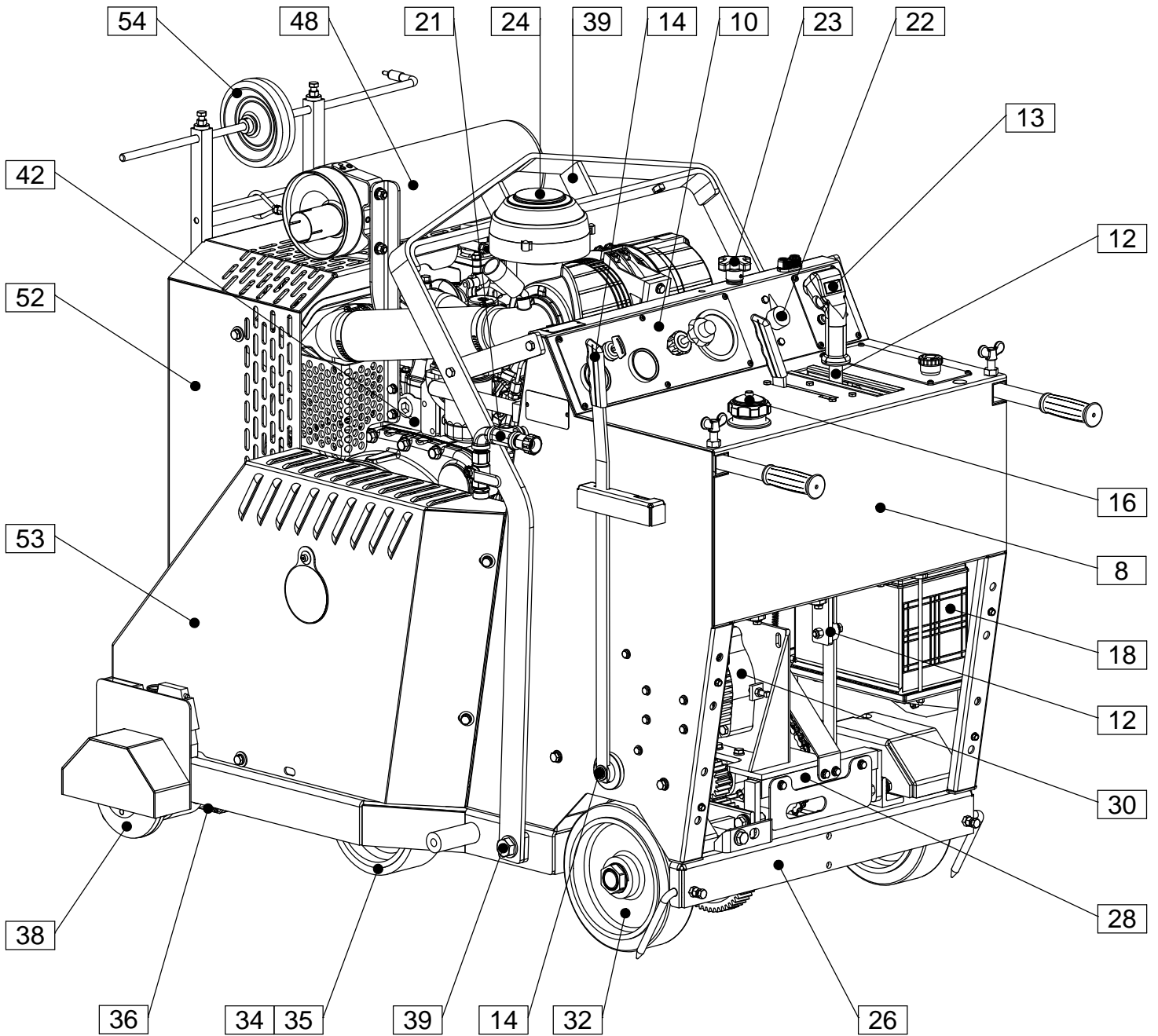
**⚠️ WARNING ⚠️**

**The engine exhaust from this product contains chemicals known to the State of California to cause cancer, birth defects or other reproductive harm.**

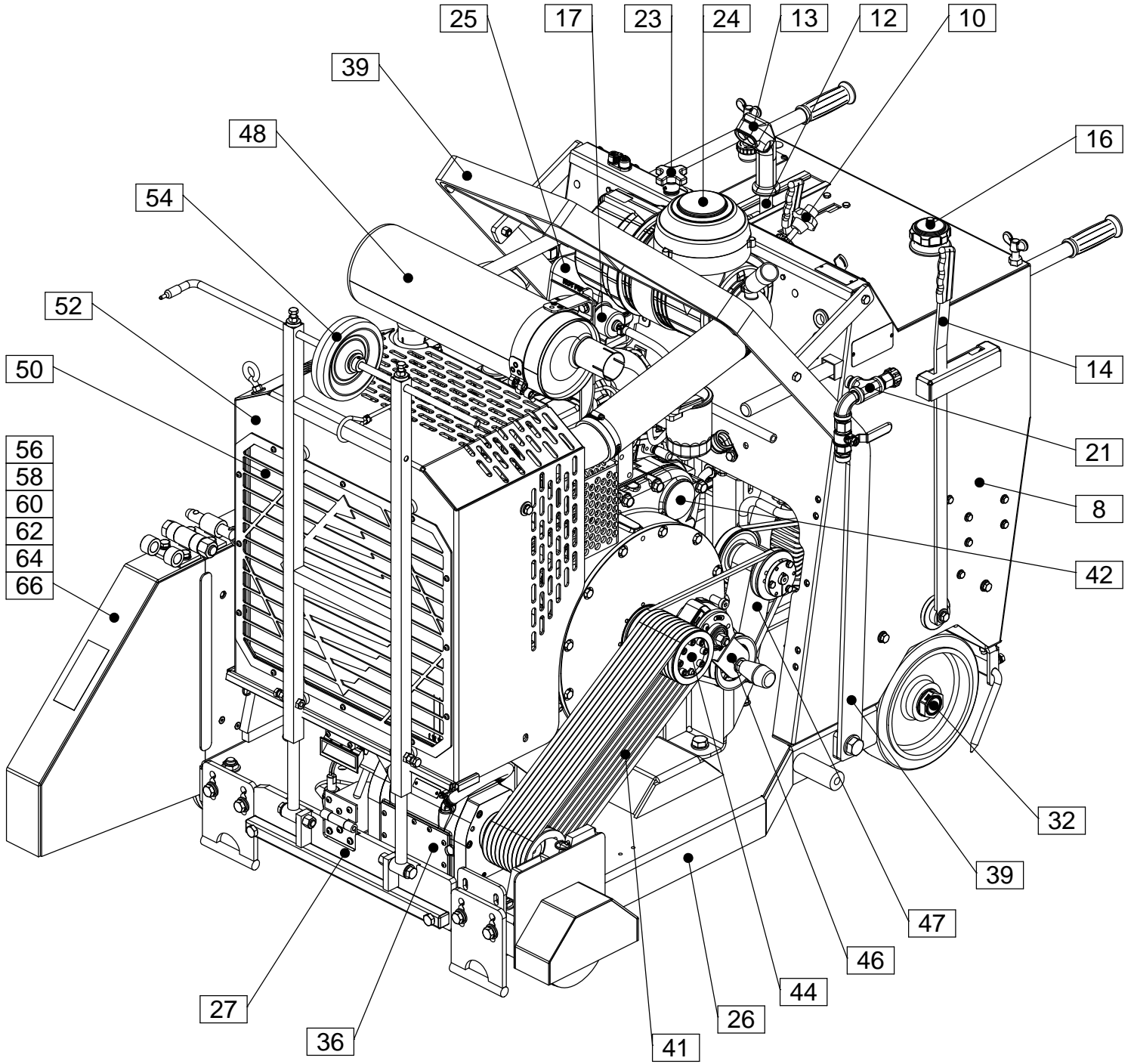
## Table of Contents

Pictorial Index.....	4,5	Belt Tensioner Assembly.....	40
Controls Legend.....	6	Belt Drive Assembly.....	41
Quick Reference Service Filters / Belts.....	7	Engine Assembly.....	42,43
Frame Upright Assembly.....	8,9	PTO Assembly.....	44,45
Instrument Panel Assembly.....	10,11	Rotary Tensioner Assembly.....	46
Control Lever Assembly.....	12	Transmission Jackshaft Assembly.....	47
Control Grip Assembly.....	13	Muffler Assembly.....	48
Parking Brake Assembly.....	14,15	Flex Fan Drive Assembly.....	49
Fuel Tank Assembly.....	16	Radiator Assembly.....	50,51
Fuel Supply Assembly.....	17	Radiator Shroud Assembly.....	52
Battery Assembly.....	18,19	Belt Guard Assembly.....	53
Hydraulic Pump Assembly.....	20	Front Pointer Assembly.....	54
Water Supply Assembly.....	21	14” Blade Guard Assembly.....	56,57
Depth Indicator Assembly.....	22	20” Blade Guard Assembly.....	58,89
Depth Stop Assembly.....	23	26” Blade Guard Assembly.....	60,61
Air Cleaner Assembly.....	24	30” Blade Guard Assembly.....	62,63
Coolant Tank Assembly.....	25	36” Blade Guard Assembly.....	64,65
Frame Base Assembly.....	26	42” Blade Guard Assembly.....	66,67
Access Door Assembly.....	27	Optional Water Pump Assembly.....	68
Rear Drive Assembly.....	28,29	Optional Water Safety Switch Assembly.....	69
Eaton Transmission Assembly.....	30	Optional Spot Light Assembly.....	70
Linkage Assembly.....	31	Optional Speed Metering Valve Assembly.....	71
Rear Axle Assembly.....	32	Optional Blade Stacking Assembly.....	72,73
Hydraulic Cylinder Assembly.....	33	Optional Blade Spacing Assembly.....	74,75
Front Axle Assembly.....	34	Optional Blade Spacing Assembly.....	76,77
Front Wheel Assembly.....	35	Wiring Diagram.....	78
3 Speed Transmission Assembly.....	36,37	Decal Group.....	79
3 Speed Blade Shaft Assembly.....	38	Warranty.....	80
Frame Lift Assembly.....	39		

# Pictorial Page Index



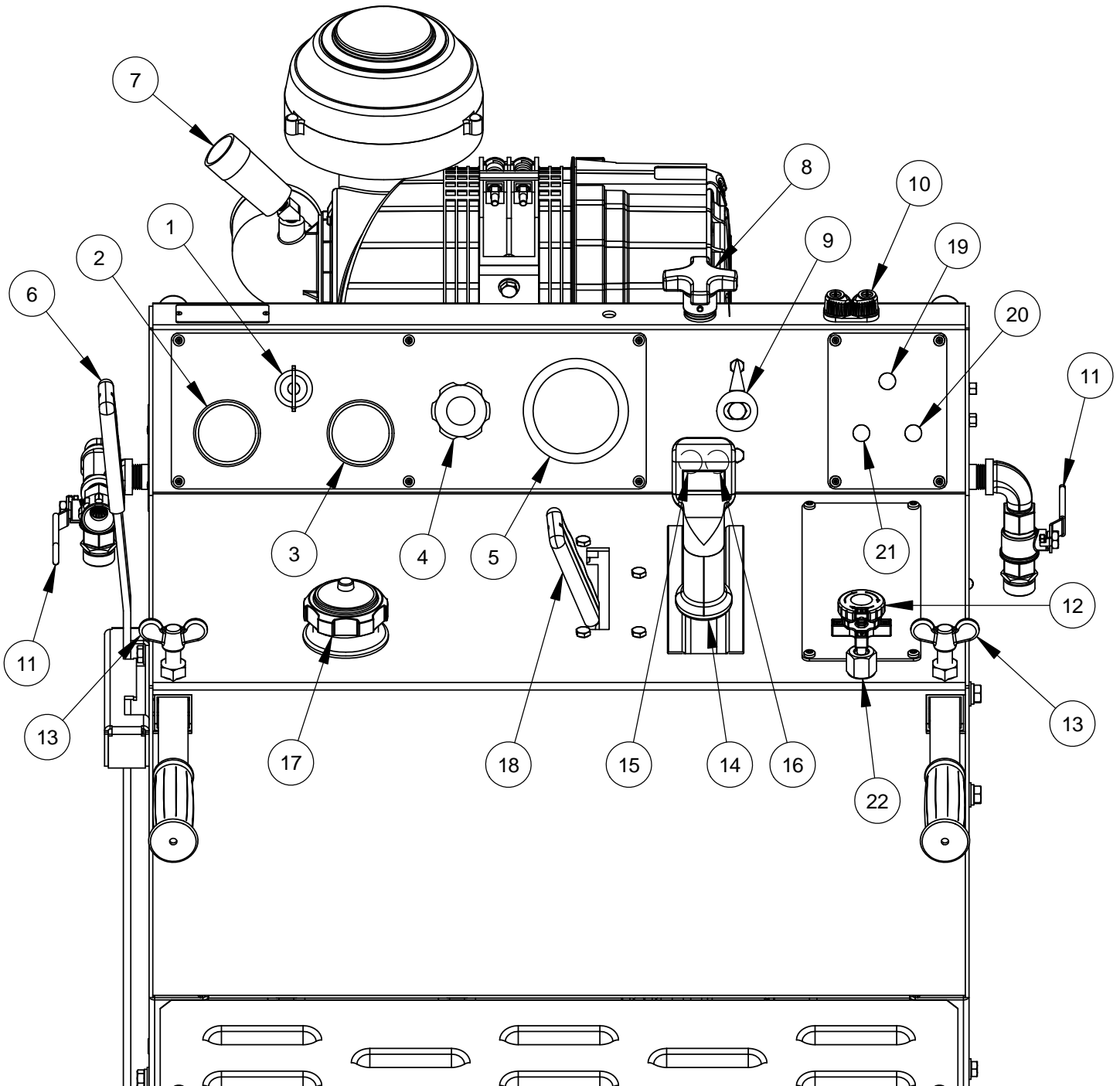
# Pictorial Page Index



## Controls Legend

1	Ignition Switch
2	Coolant Temperature Gauge
3	Engine 4 Warning Light Gauge
4	Engine Throttle Control
5	Blade Tachometer / Hour Meter
6	Parking Brake Lever
7	Air Cleaner Restriction Indicator
8	Depth Stop Knob
9	Cutting Depth Indicator
10	Pointer Rope Cleat
11	Water Valve

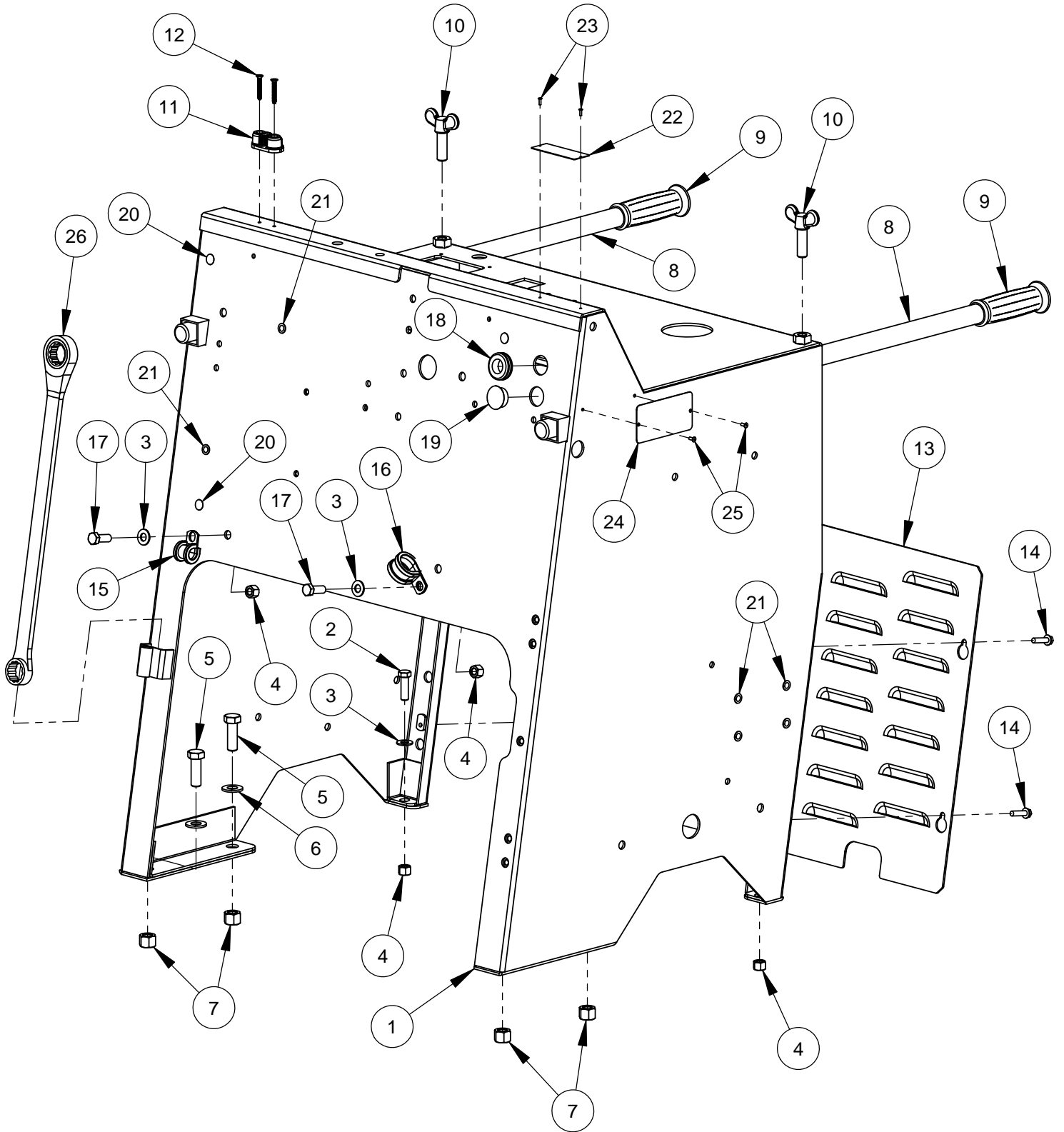
12	Emergency Stop Button
13	Handle Bar Lock Knobs
14	Travel Speed Control Lever
15	Saw Raise Push Button
16	Saw Lower Push Button
17	Fuel Filler / Gauge Cap
18	Transmission Engagement Lever
19	Water Safety Switch (Optional)
20	Spot Light Switch (Optional)
21	Water Pump Switch (Optional)
22	Lowering Speed Valve (Optional)



## Quick Reference Service Filters / Belts

<b>DP Part No.</b>	<b>Description</b>	<b>Manufacturer's Part No.</b>
2702630	Engine Oil Filter	Kubota #HH1CO-32430
2702631	Engine Fuel Filter	Kubota #16631-43560
2501785	In-Line Fuel Tank Filter	Wix #33007
2501386	Outer Primary Air Filter	Donaldson #P827653
2501387	Inner Safety Air Filter	Donaldson #P829332
2503958	Blade Shaft Belt (Set of 10)	Gates #3VX475K
2503678	Engine to Jackshaft Belt	Gates #3VX390
2503613	Eaton Transmission Belt	Gates #AX38

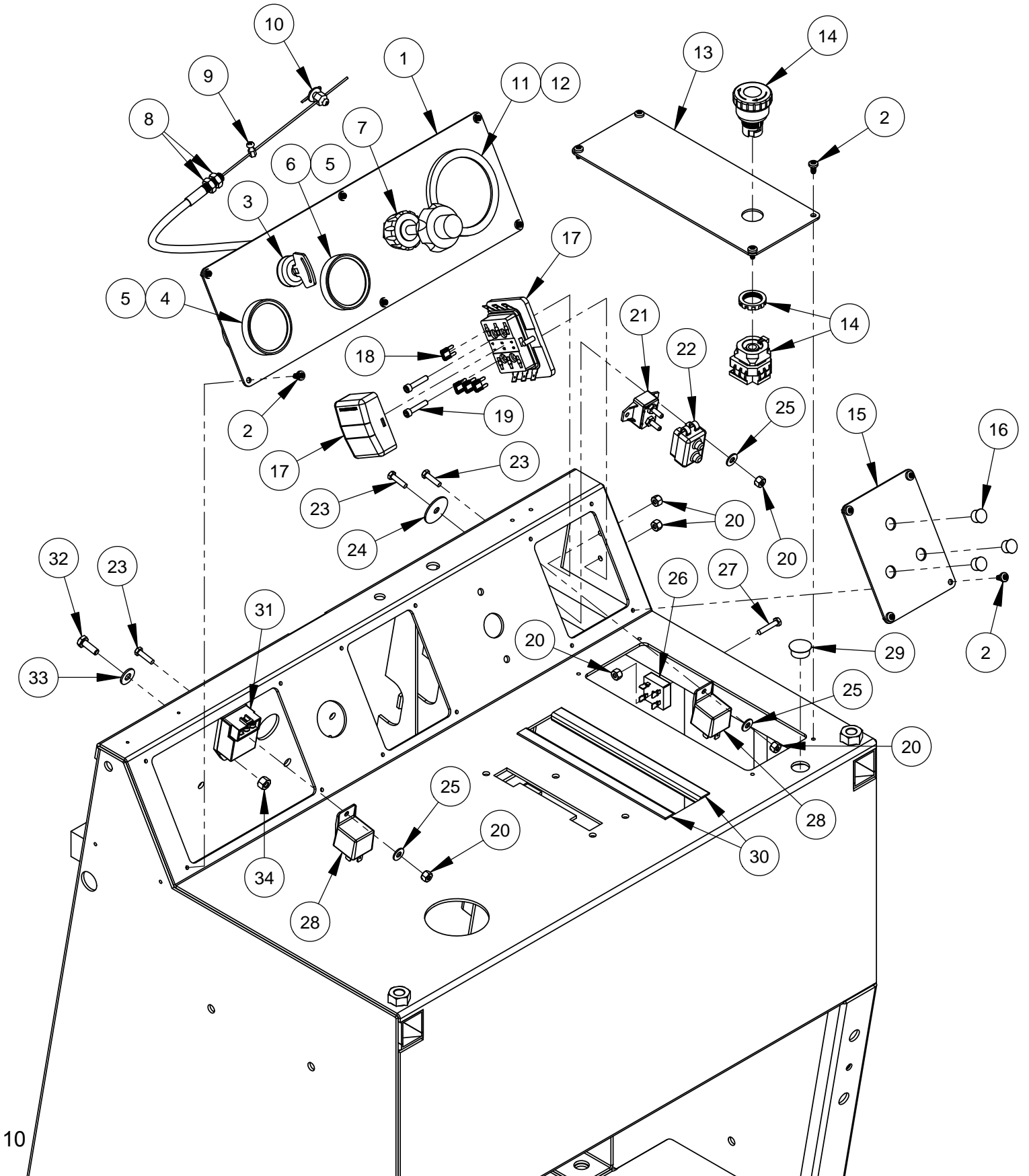
# Frame Upright Assembly #6019010B



## Frame Upright Assembly #6019010B

ITEM	PART NO.	QTY.	DESCRIPTION
1	6010687	1	Frame Upright Weldment
2	2900013	2	Cap Screw, Hex Hd., 3/8-16 x 1-1/4"
3	2900014	4	Flat Washer, 3/8" SAE
4	2900018	4	Locknut, 3/8-16, Nylon
5	2900499	4	Cap Screw, Hex Hd., 1/2-13 x 1-1/2"
6	2900058	4	Flat Washer, 1/2" SAE
7	2900026	4	Lock Nut, 1/2-13 Nylon
8	6010014	2	Handle Bar, 36" Long
9	2500636	2	Handle Grip
10	2900430	2	Hand Lock Knob, 1/2-13 x 1-1/2"
11	2501427	1	Rope Cleat
12	2900483	2	Tap Screw, Flat Hd., #10-24 x 1-1/4"
13	6010015	1	Rear Cover Screen
14	2900180	4	Cap Screw, Hex Flange Hd., 1/4-20 x 1"
15	2501434	1	Hose Clamp, 5/8" x 3/4" Wide
16	3201729	1	Hose Clamp, 1" x 3/4" Wide
17	2900005	2	Cap Screw, Hex Hd., 3/8-16 x 1"
18	2500203	1	Grommet, 3/4" I.D.
19	2500489	1	Plug, 1" Hole
20	2501287	3	Plug, 7/16" Hole
21	2503749	6	Plug, 5/16" Hole (Tapered)
22	1800169	1	Serial Number Plate, US
23	2900096	2	Rivet, 3/32" Dia.
24	1800377	1	Serial Number Plate, CE
25	2900287	2	Rivet, 1/8" Dia.
26	2503972	1	Wrench, Ratcheting 15/16" XL

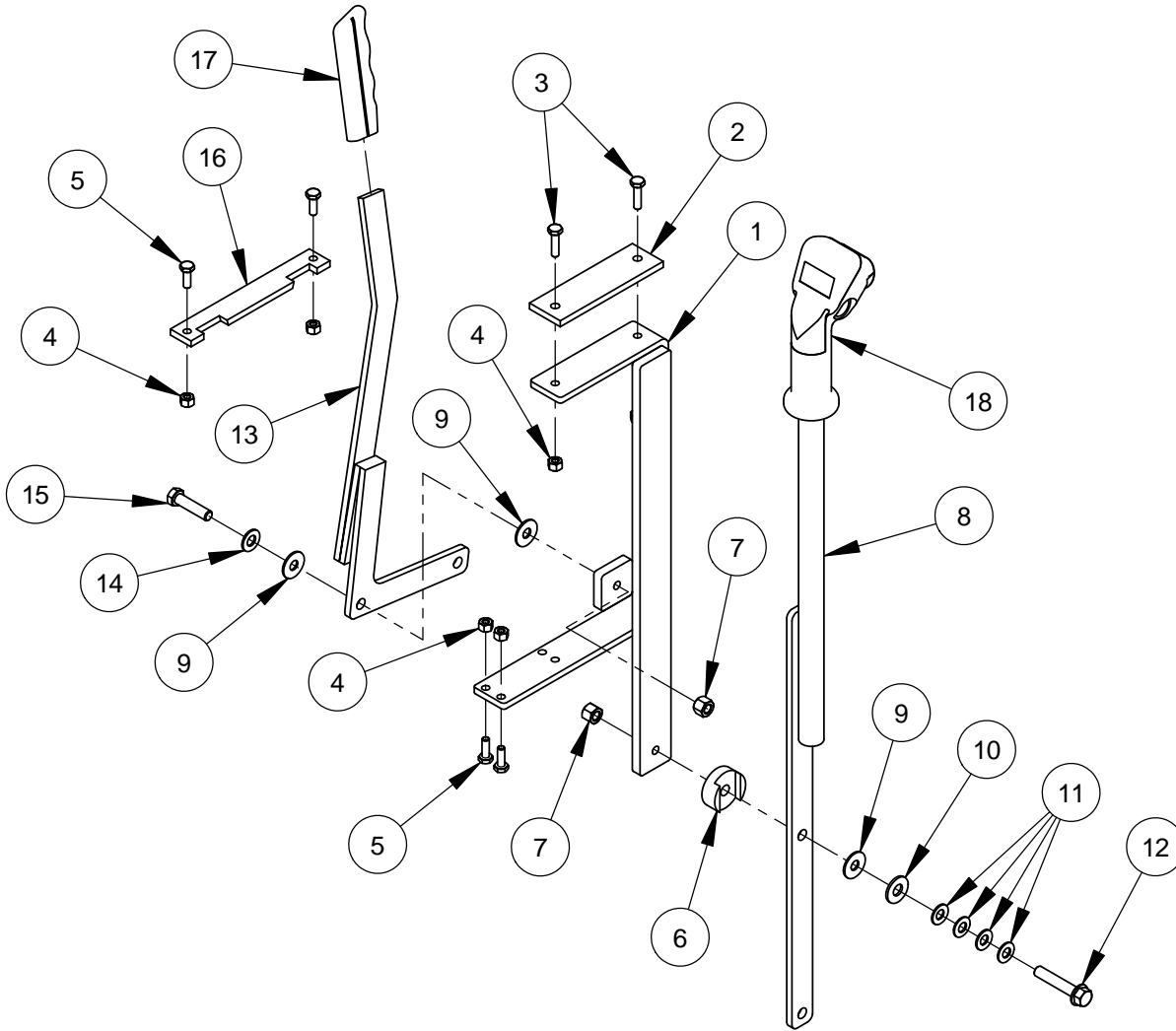
# Instrument Panel Assembly #6019015



## Instrument Panel Assembly #6019015

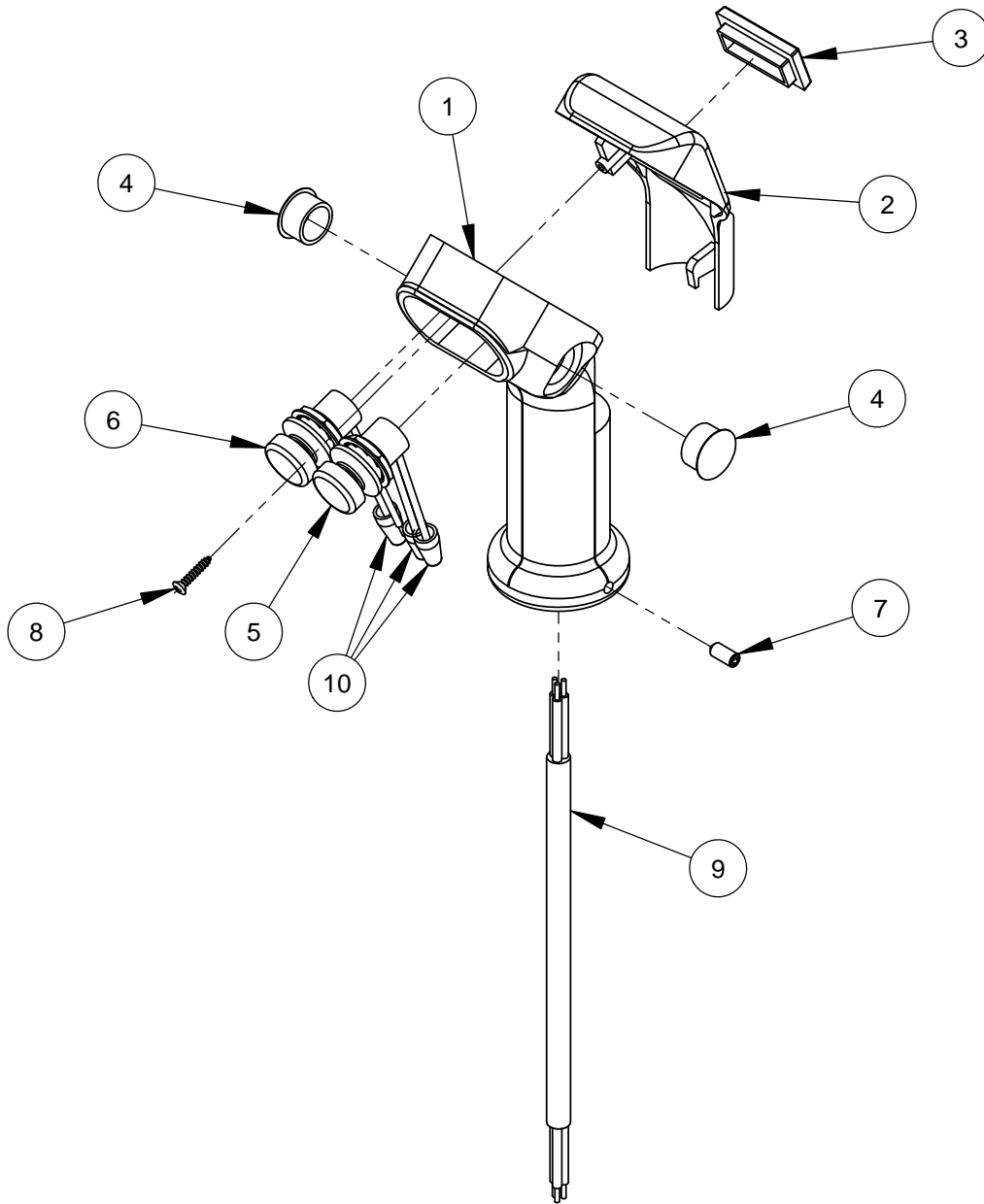
ITEM	PART NO.	QTY.	DESCRIPTION
1	6019068	1	Gauge Panel
2	2900021	14	Tap Screw, Pan Hd., #10-24 x 3/8"
3	2705001	1	Ignition Switch & Keys
	2705000	1	Ignition Keys Only (Pair)
4	2800617	1	Water Temperature Gauge
5	2503981	2	O-Ring #033
6	2705003	1	Cluster Gauge, 4 Warning Light
7	2503772	1	Vernier Throttle Cable
8	2900696	2	Jam Nut, 3/8-24
9	2503847	1	Wire Stop and Screw
10	2502180	1	Wire Stop Pivot Assembly
11	6010416	1	Tach/Hour Meter (VDO) Calibrated 60
	2800611	2	Light Socket
	2800612	2	Light Bulb, Wedge Base
12	2400628	1	O-Ring #152
13	6010019	1	Hydraulic Pump Cover Plate
14	2801367	1	E-Stop Switch
15	6010098	1	Switch Plate
16	2500204	3	Plug, 1/2" Hole
17	2800925	1	Fuse Block, 6 Circuit, Mini ATM
18	2801439	4	Fuse, 10 Amp Mini (Red)
19	2900913	2	Cap Screw, Soc. Hd., #10-24 x 1"
20	2900017	6	Lock Nut, #10-24 Nylon
21	2800643	1	Circuit Breaker, 40 Amp
22	2800364	1	Circuit Breaker Boot
23	2900015	3	Machine Screw, Hex Hd., #10-24 x 3/4"
24	2900083	1	Fender Washer, 1/4" x 1-1/4"
25	2900016	3	Flat Washer, #10 USS
26	2800368	1	Bridge Rectifier
27	2900054	1	Machine Screw, Hex Hd., #10-24 x 1"
28	2800144	2	Relay, 50 Amp, 12V, SPDT
29	2500463	1	Plug, 3/4" Hole
30	6010101	2	Edge Trim 8-1/2"
31	2705006	1	Timer, 12V DC
32	2900144	1	Cap Screw, Hex Hd., 1/4-20 x 3/4"
33	2900126	1	Flat Washer, 1/4" USS
34	2900010	1	Lock Nut, 1/4-20 Nylon

## Control Lever Assembly #6010719



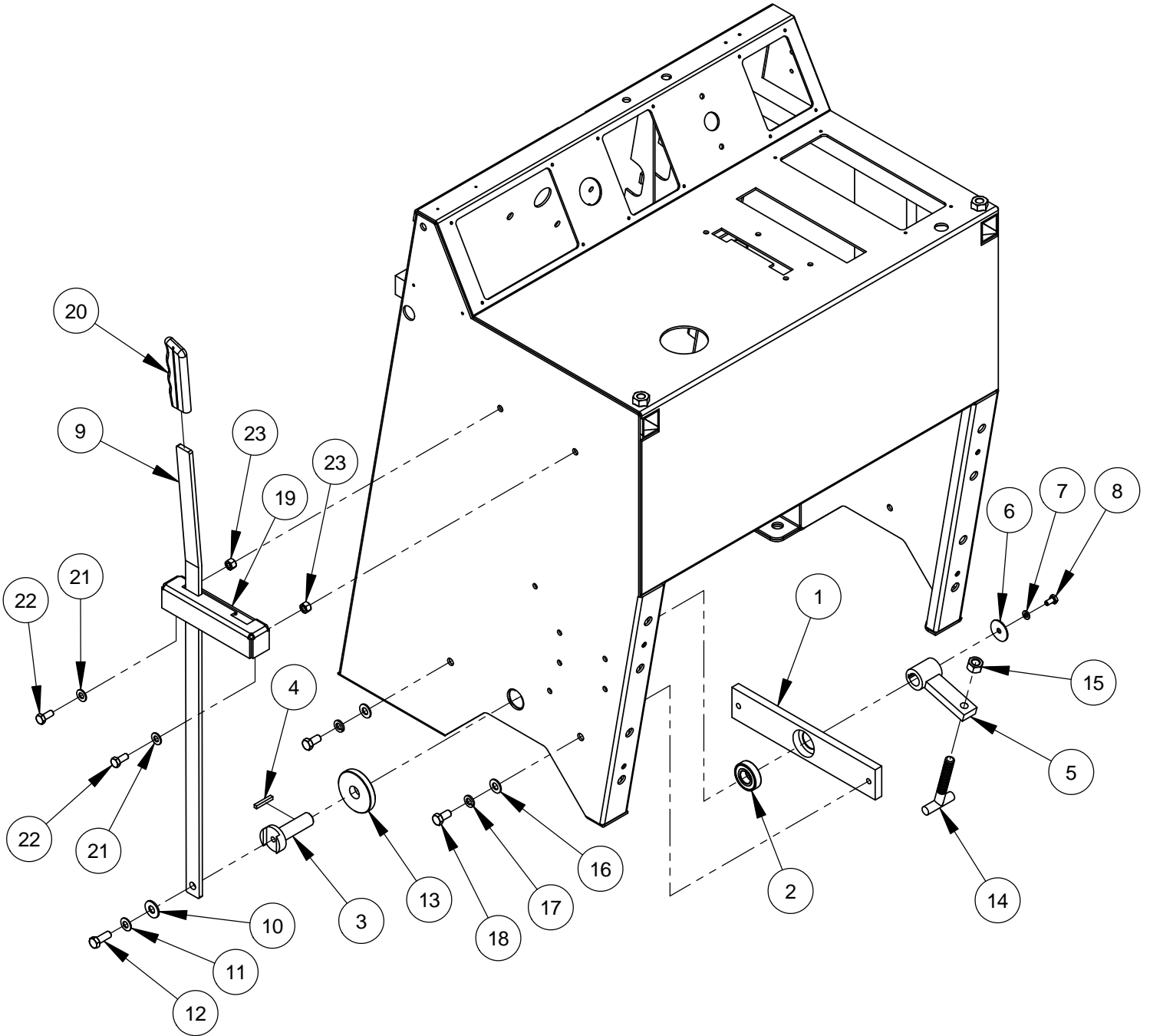
ITEM	PART NO.	QTY.	DESCRIPTION
1	6010056	1	Lever Support Weldment
2	2501339	1	Rubber Support Mount
3	2900008	2	Cap Screw, Hex Hd., 1/4-20 x 1"
4	2900010	6	Lock Nut, 1/4-20 Nylon
5	2900144	4	Cap Screw, Hex Hd., 1/4-20 x 3/4"
6	6010055	1	Friction Spacer
7	2900018	2	Lock Nut, 3/8-16 Nylon
8	6010314	1	Speed Control Lever
9	2900153	3	Friction Washer, 3/8"
10	2900473	1	Flat Washer, 3/8" USS
11	2900474	4	Belleville Washer, 3/8"
12	2900472	1	Cap Screw, Hex Flange Hd., 3/8-16 x 2"
13	6010057	1	Engagement Lever Weldment
14	2900014	1	Flat Washer, 3/8" SAE
15	2900029	1	Cap Screw, Hex Hd., 3/8-16 x 1-1/2"
16	6010058	1	Gate Plate
17	2500002	1	Lever Grip
18	6010319	1	Control Grip Assembly

## Control Grip Assembly #6010319



ITEM	PART NO.	QTY.	DESCRIPTION
1	2501280	1	Control Grip Body
2	2501281	1	Control Grip Cover
3	2500644	1	Plug, Rectangular
4	2500694	2	Plug, 5/8" Hole
5	2800372	1	Pushbutton Switch (B&G)
6	2800373	1	Pushbutton Switch (B&W)
7	2900453	1	Set Screw, Soc. Hd., M5-0.8 x 12mm
8	2900452	1	Machine Screw, Oval Hd., #4 x 5/8"
9	2800393	1	Harness, Hydraulic Pump
10	2800002	3	Wire Nut, 22-16 Gage

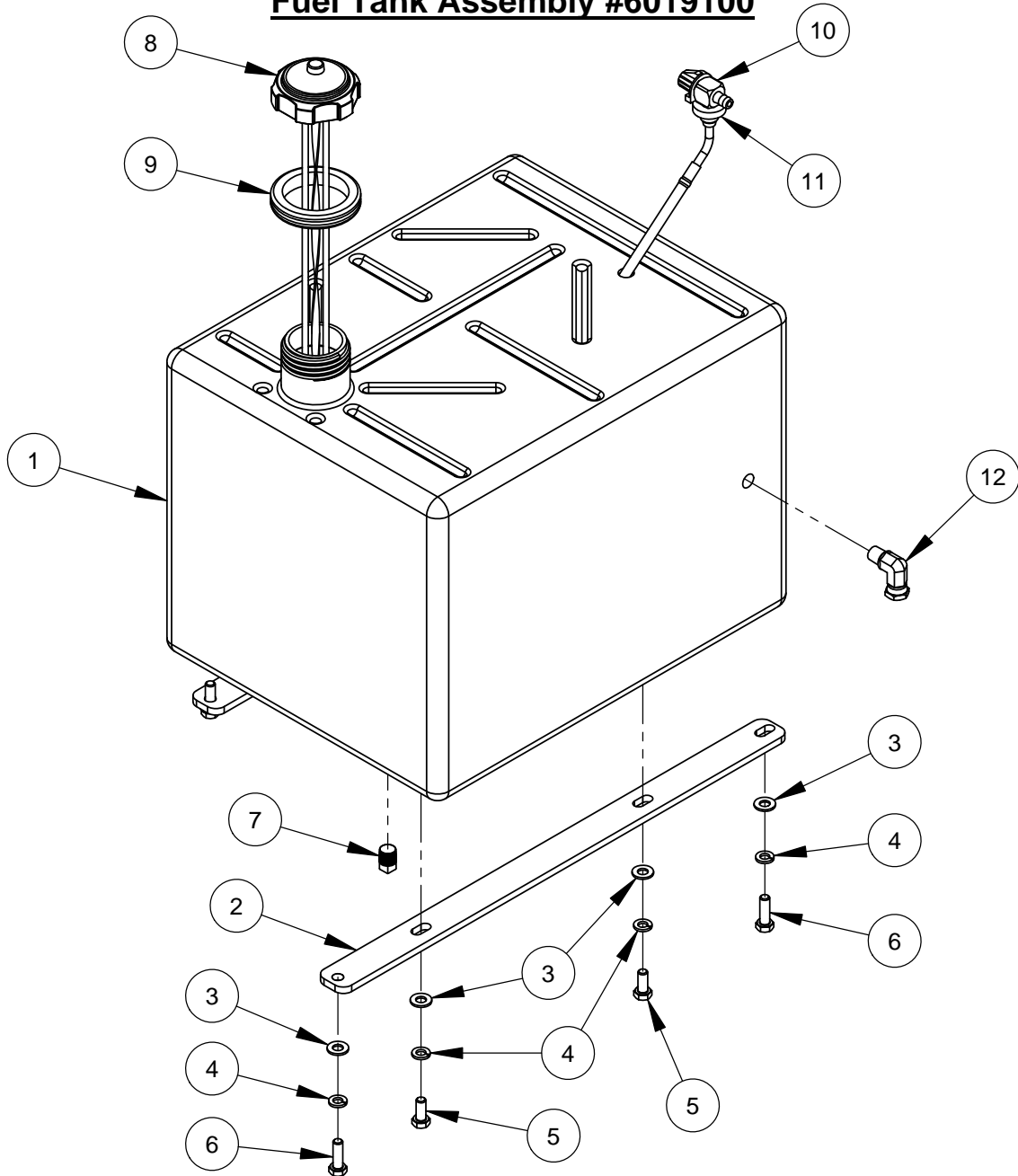
# Parking Brake Assembly #6011228



## Parking Brake Assembly #6011228

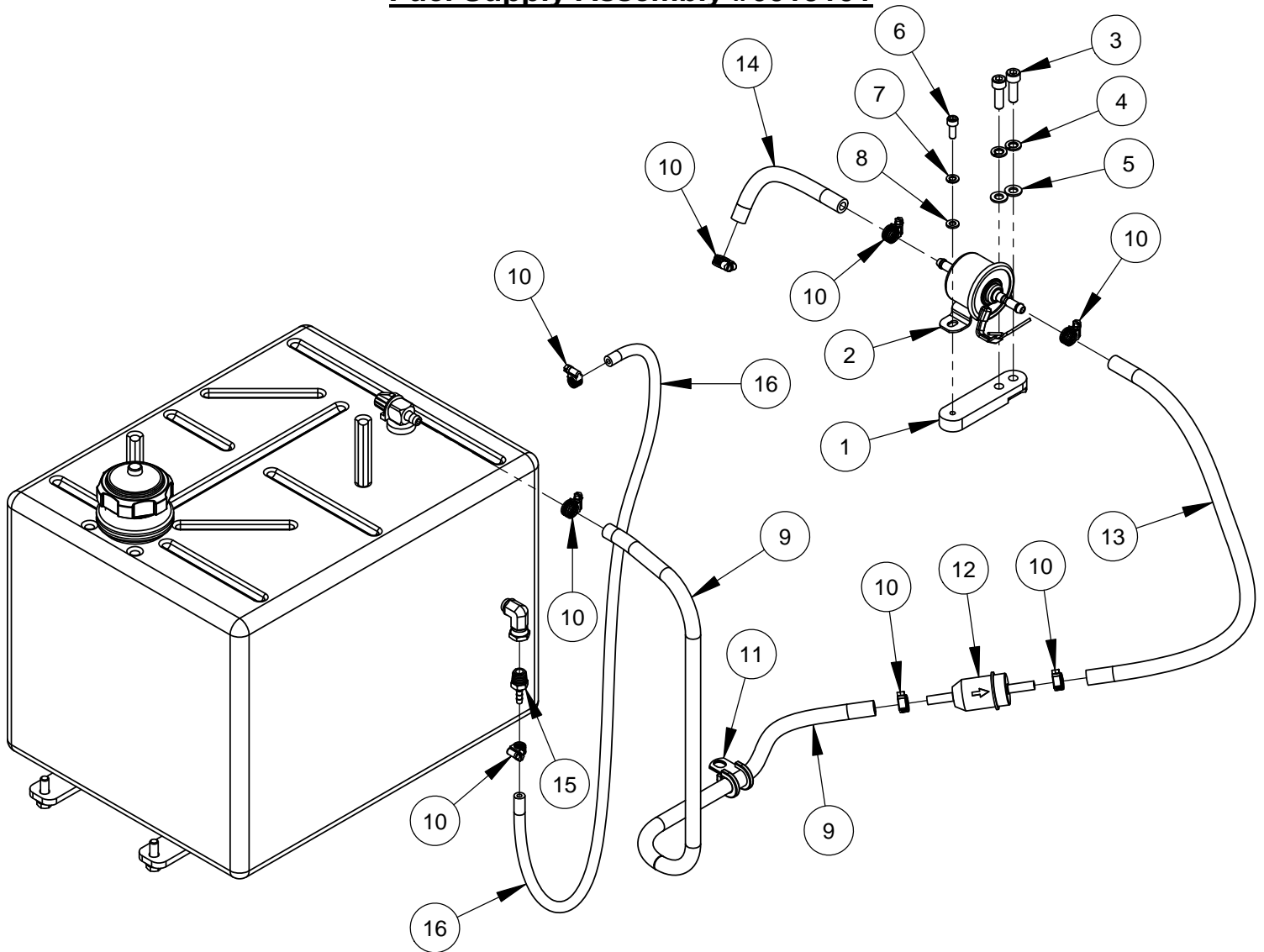
ITEM	PART NO.	QTY.	DESCRIPTION
1	6011229	1	Bearing Housing Bar
2	2501664	1	Ball Bearing, 3/4" x 1-5/8" x 7/16"
3	6011230	1	Pivot Pin
4	6048229	1	Key, 3/16" Sq. x 1-1/4"
5	6011231	1	Pivot Arm
6	2900083	1	Fender Washer, 1/4" x 1-1/4"
7	2900024	1	Lock Washer, 1/4" Split
8	2900082	1	Cap Screw, Hex Hd., 1/4-20 x 1/2"
9	6011232	1	Brake Lever
10	2900473	1	Flat Washer, 3/8" USS
11	2900474	1	Belleville Washer, 3/8"
12	2900005	1	Cap Screw, Hex Hd., 3/8-16 x 1"
13	6011234	1	Friction Disc, 3/4" x 2-1/2" x 3/8"
14	2900632	1	T-Bolt, 1/2-13
15	2900037	1	Hex Nut, 1/2-13
16	2900014	2	Flat Washer, 3/8" SAE
17	2900006	2	Lock Washer, 3/8" Split
18	2900196	2	Cap Screw, Hex Hd., 3/8-16 x 3/4"
19	6011233	1	Lever Gate
20	2500002	1	Lever Grip
21	2900022	2	Flat Washer, 5/16" SAE
22	2900019	2	Cap Screw, Hex Hd., 5/16-18 x 3/4"
23	2900039	2	Lock Nut, 5/16-18 Nylon
24	6010687	1	Frame Upright Weldment

## Fuel Tank Assembly #6019100



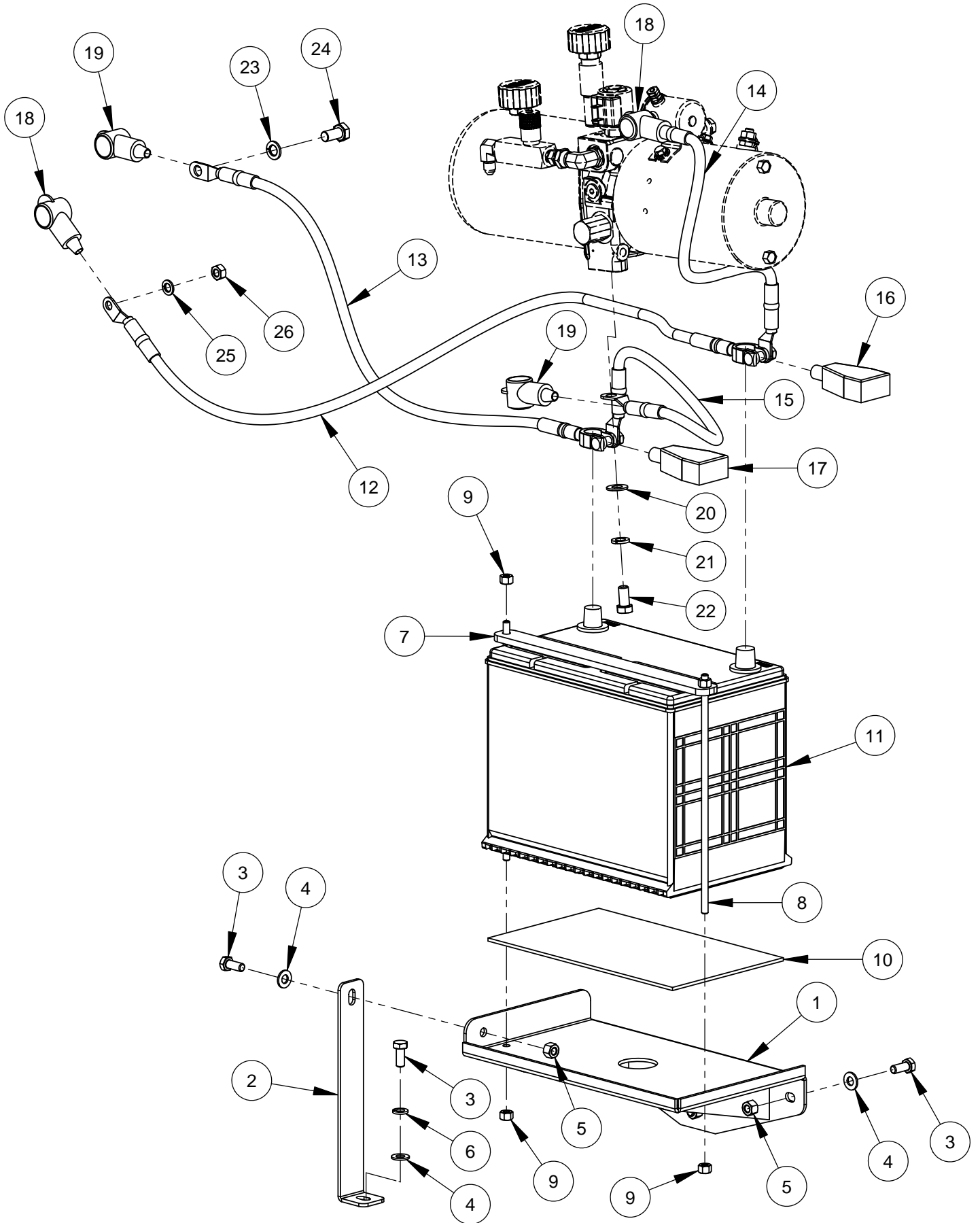
ITEM	PART NO.	QTY.	DESCRIPTION
1	2501784	1	Fuel Tank
2	6010257	2	Fuel Tank Mount Bar
3	2900022	8	Flat Washer, 5/16" SAE
4	2900031	8	Lock Washer, 5/16" Split
5	2900019	4	Cap Screw, Hex Hd., 5/16-18 x 3/4"
6	2900138	4	Cap Screw, Hex Hd., 5/16-18 x 1"
7	3200206	1	Pipe Plug, 1/4" NPT
8	2504786	1	Fuel Tank Cap & Gauge
9	2500205	1	Fuel Tank Grommet
10	2501777	1	Fuel Valve w/Pick-Up
11	2501215	1	Bushing, Rubber, Tank
12	3200059	1	Elbow, 1/4" M. to 1/4" F. Pipe Swivel

## Fuel Supply Assembly #6019101



ITEM	PART NO.	QTY.	DESCRIPTION
1	6019044	1	Fuel Pump Mount Bar
2	2705005	1	Electric Fuel Pump
3	2900161	2	Cap Screw, Soc. Hd., M8-1.25 x 25mm
4	2900763	2	Lock Washer, M8 Split
5	2901336	2	Flat Washer, M8
6	2900553	1	Cap Screw, Soc. Hd., M6-1.0 x 16mm
7	2900765	1	Lock Washer, M6 Split
8	2901494	1	Flat Washer, M6
9	6010693	1	Fuel Supply Hose, 5/16" I.D. x 30"
10	3200062	8	Hose Clamp #4
11	2501434	1	Hose Clamp, 5/8" x 3/4" Wide
12	2501785	1	Filter, Diesel Fuel
13	6019094	1	Fuel Line Hose, 5/16" I.D. x 16"
14	6019146	1	Fuel Line Hose, 5/16" I.D. x 6"
15	3200210	1	Fitting, 1/4" M. Pipe to 3/16" Hose Barb
16	6017045	1	Fuel Return Hose, 3/16" I.D. x 30"

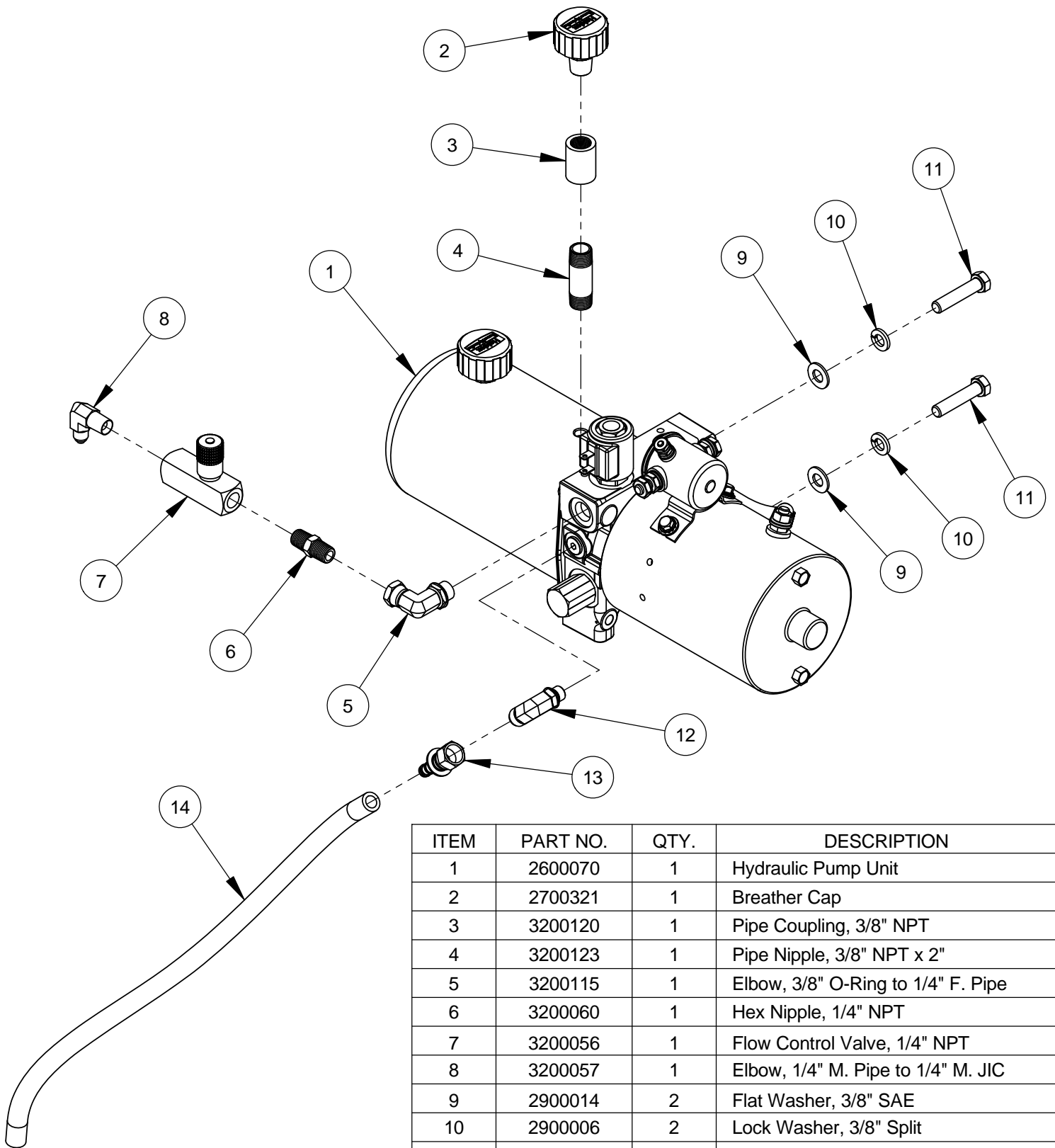
# Battery Assembly #6019102



## Battery Assembly #6019102

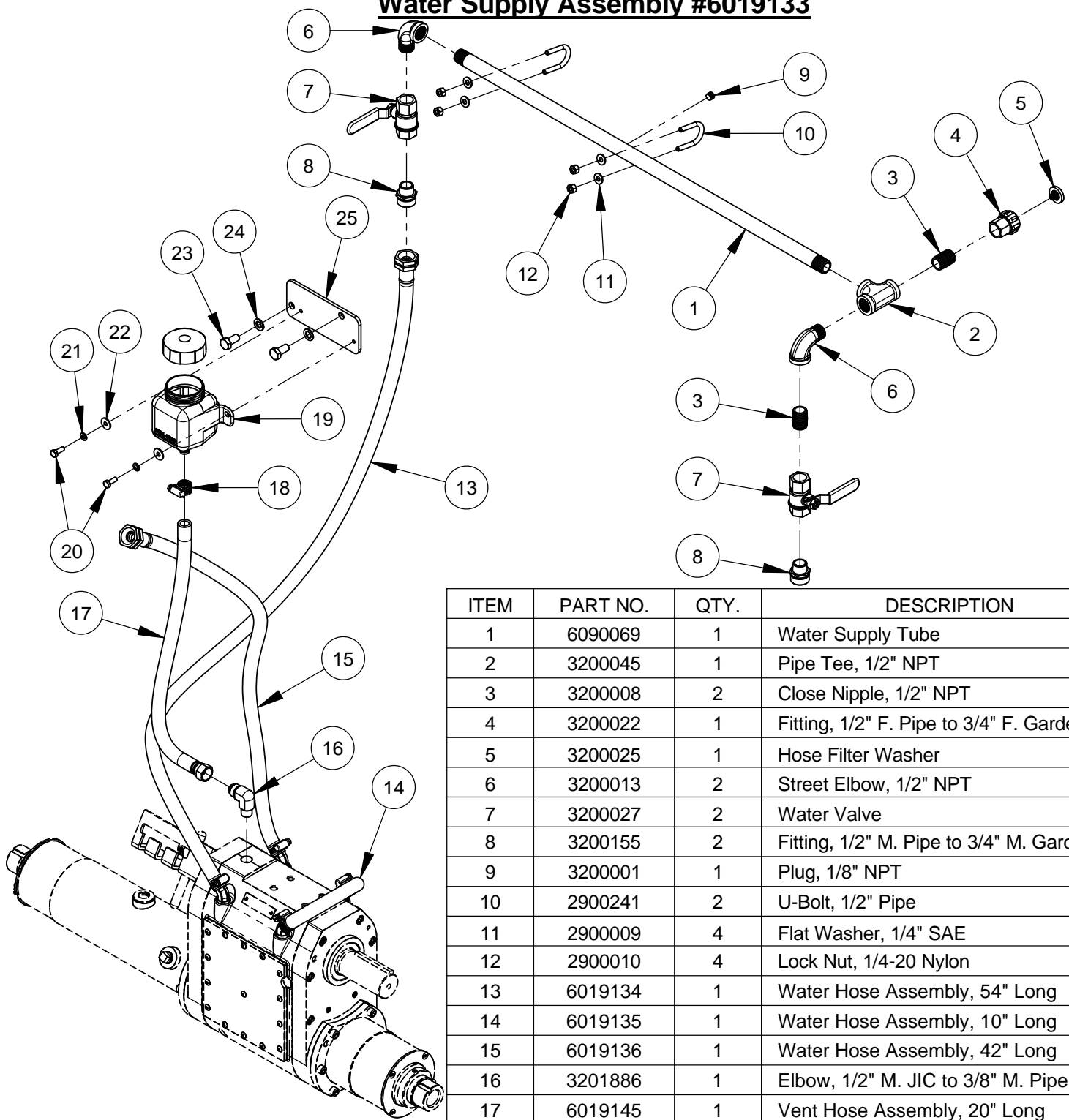
ITEM	PART NO.	QTY.	DESCRIPTION
1	6010670	1	Battery Platform
2	6010554	1	Battery Support Brace
3	2900019	5	Cap Screw, Hex Hd., 5/16-18 x 3/4"
4	2900022	5	Flat Washer, 5/16" SAE
5	2900039	4	Lock Nut, 5/16-18 Nylon
6	2900031	1	Lock Washer, 5/16" Split
7	6010017	1	Battery Top Brace
8	6010344	2	Rod, 1/4-20 x 9-1/2"
9	2900010	4	Lock Nut, 1/4-20 Nylon
10	6010016	1	Battery Pad
11	2800465	1	Battery, 12 Volt Group Size 24
12	2800082	1	Battery Cable, 48" Positive (Red)
13	2800072	1	Battery Cable, 30" Negative (Black)
14	2800095	1	Solenoid Cable, 14" Positive (Red)
15	2800182	1	Ground Cable, 14" Negative (Black)
16	2800256	1	Battery Boot, Large (Red)
17	2800257	1	Battery Boot, Large (Black)
18	2800197	2	Battery Boot, Small (Red)
19	2800198	2	Battery Boot, Small (Black)
20	2900014	1	Flat Washer, 3/8" SAE
21	2900006	1	Lock Washer, 3/8" Split
22	2900196	1	Cap Screw, Hex Hd., 3/8-16 x 3/4"
23	2900321	1	Lock Washer, M10 Split
24	2901021	1	Cap Screw, Hex Hd., M10-1.25 x 20mm
25	2900763	1	Lock Washer, M8 Split
26	2900343	1	Hex Nut, M8-1.25

**Hydraulic Pump Assembly #6010213**  
**(Includes Items #1 - #11)**



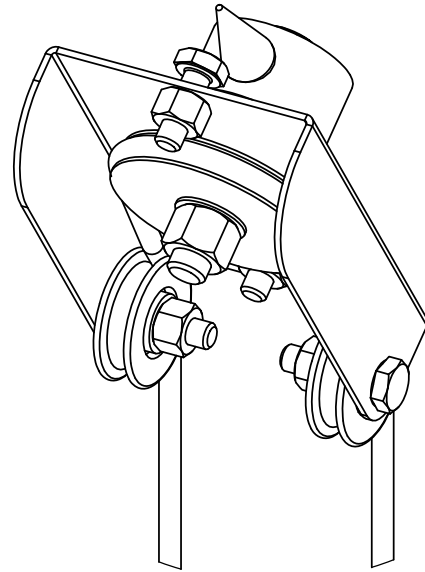
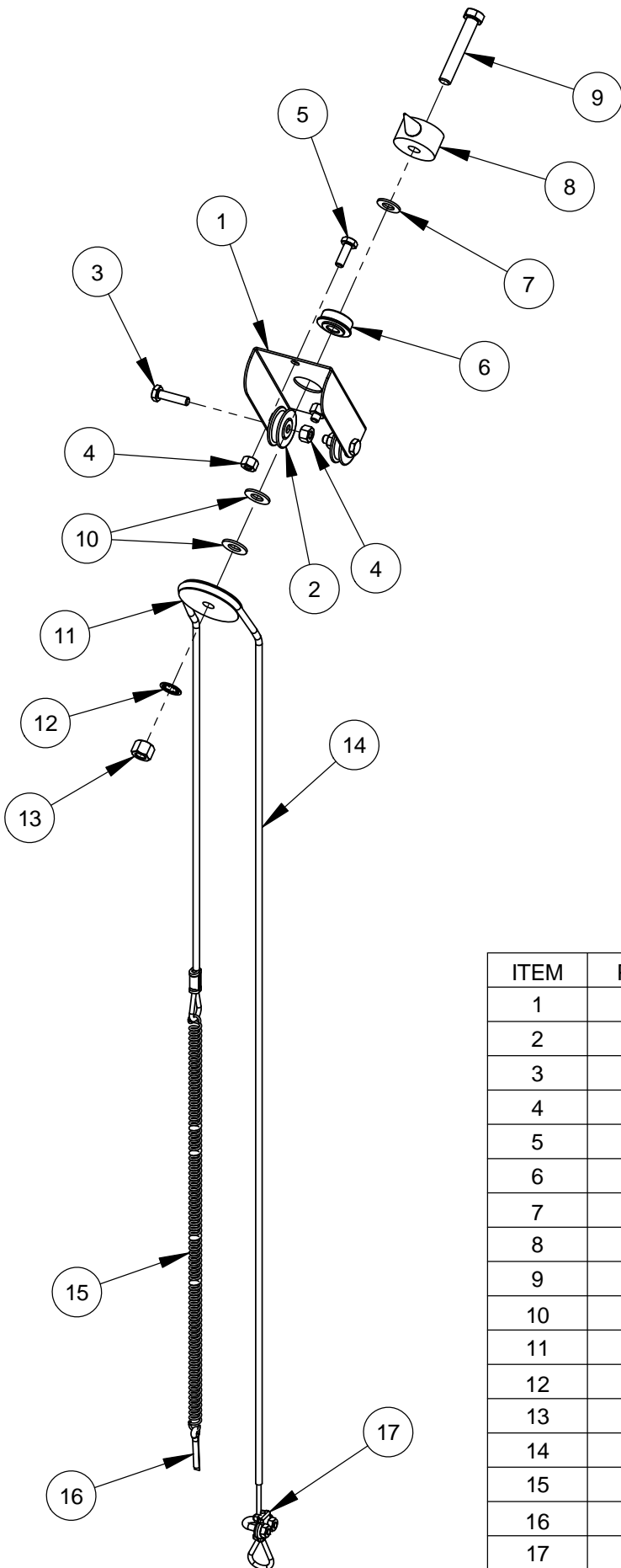
ITEM	PART NO.	QTY.	DESCRIPTION
1	2600070	1	Hydraulic Pump Unit
2	2700321	1	Breather Cap
3	3200120	1	Pipe Coupling, 3/8" NPT
4	3200123	1	Pipe Nipple, 3/8" NPT x 2"
5	3200115	1	Elbow, 3/8" O-Ring to 1/4" F. Pipe
6	3200060	1	Hex Nipple, 1/4" NPT
7	3200056	1	Flow Control Valve, 1/4" NPT
8	3200057	1	Elbow, 1/4" M. Pipe to 1/4" M. JIC
9	2900014	2	Flat Washer, 3/8" SAE
10	2900006	2	Lock Washer, 3/8" Split
11	2900047	2	Cap Screw, Hex Hd., 3/8-16 x 1-3/4"
12	3200116	1	Elbow, 1/4" O-Ring to 3/8" M. JIC
13	3200046	1	Fitting, 3/8" F. JIC to 3/8" Push Lock
14	6010059	1	Clear Hose, 3/8" I.D. x 19"

## Water Supply Assembly #6019133



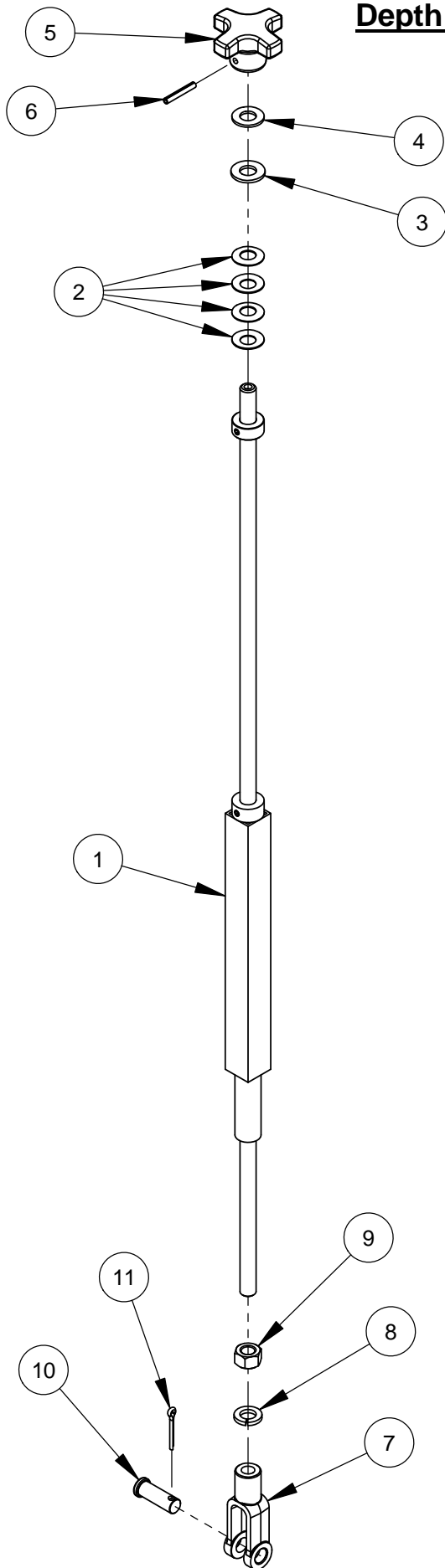
ITEM	PART NO.	QTY.	DESCRIPTION
1	6090069	1	Water Supply Tube
2	3200045	1	Pipe Tee, 1/2" NPT
3	3200008	2	Close Nipple, 1/2" NPT
4	3200022	1	Fitting, 1/2" F. Pipe to 3/4" F. Garden
5	3200025	1	Hose Filter Washer
6	3200013	2	Street Elbow, 1/2" NPT
7	3200027	2	Water Valve
8	3200155	2	Fitting, 1/2" M. Pipe to 3/4" M. Garden
9	3200001	1	Plug, 1/8" NPT
10	2900241	2	U-Bolt, 1/2" Pipe
11	2900009	4	Flat Washer, 1/4" SAE
12	2900010	4	Lock Nut, 1/4-20 Nylon
13	6019134	1	Water Hose Assembly, 54" Long
14	6019135	1	Water Hose Assembly, 10" Long
15	6019136	1	Water Hose Assembly, 42" Long
16	3201886	1	Elbow, 1/2" M. JIC to 3/8" M. Pipe
17	6019145	1	Vent Hose Assembly, 20" Long
18	3200016	1	Hose Clamp #8
19	2502039	1	Expansion Tank & Cap
20	2900341	2	Cap Screw, Hex Hd., M6-1.0 x 16mm
21	2900765	2	Lock Washer, M6 Split
22	2901359	2	Fender Washer, M6
23	2901021	2	Cap Screw, Hex Hd., M10-1.25 x 20mm
24	2900321	2	Lock Washer, M10 Split
25	6019144	1	Tank Mount Plate

## Depth Indicator Assembly #6010214



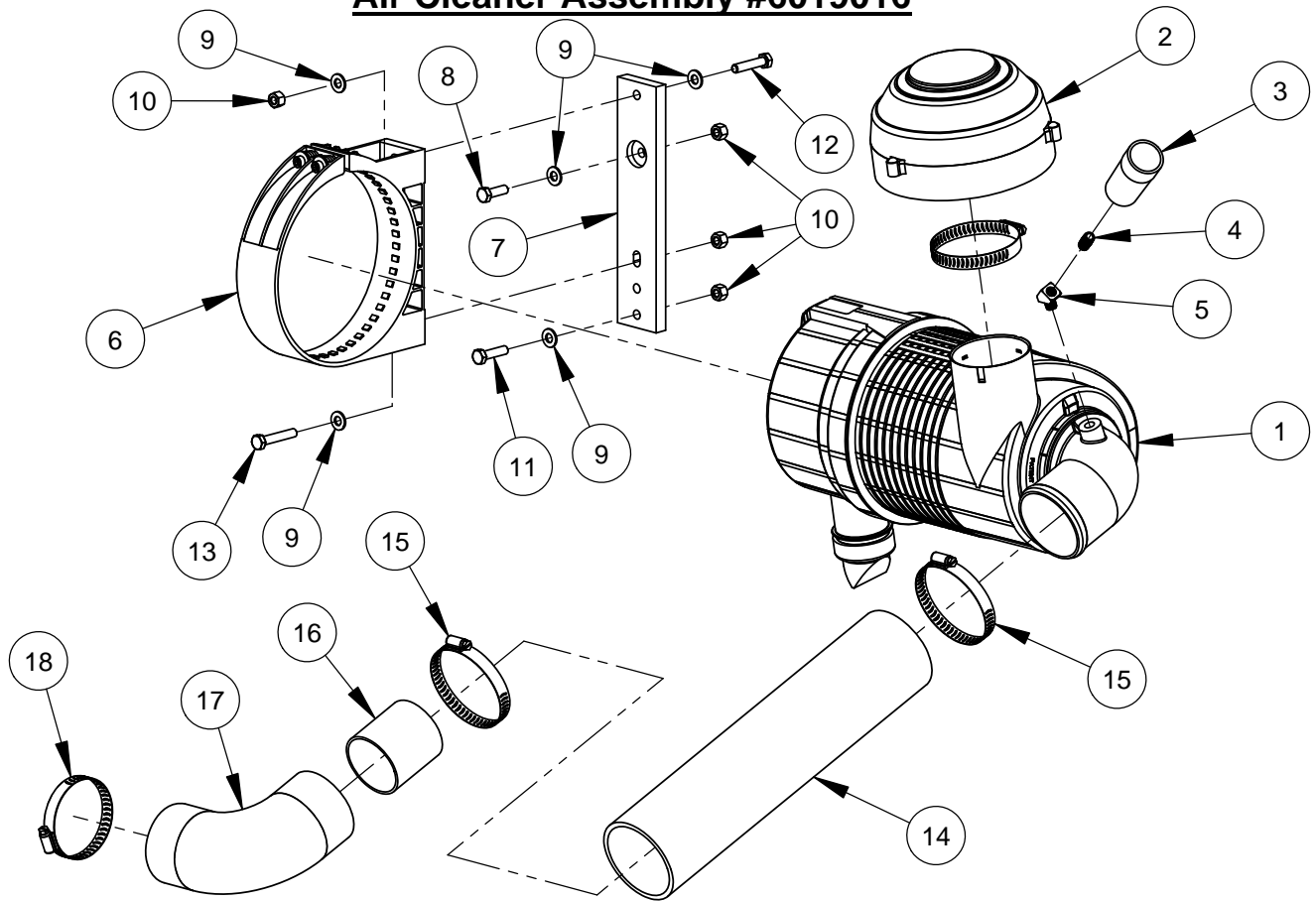
ITEM	PART NO.	QTY.	DESCRIPTION
1	6010092	1	Depth Indicator Mount Bracket
2	2500155	2	Cable Pulley, 1-1/4"
3	2900008	2	Cap Screw, Hex Hd., 1/4-20 x 1"
4	2900010	4	Lock Nut, 1/4-20 Nylon
5	2900144	2	Cap Screw, Hex Hd., 1/4-20 x 3/4"
6	2500145	1	Flange Bearing, 3/8"
7	2901383	1	Friction Washer, 3/8"
8	6010091	1	Depth Indicator Pointer
9	2900079	1	Cap Screw, Hex Hd., 3/8-16 x 2-1/4"
10	2900014	2	Flat Washer, 3/8" SAE
11	6010093	1	Cable Pulley, 2"
12	2900254	1	Lock Washer, 3/8" Internal Tooth
13	2900018	1	Lock Nut, 3/8-16 Nylon
14	6010094	1	Depth Indicator Cable with Crimp, 48"
15	2500196	1	Spring, 3/8" x 15"
16	2900055	1	Cotter Pin, 3/16" x 1"
17	2500214	1	Cable Clamp

## Depth Stop Assembly #6010215



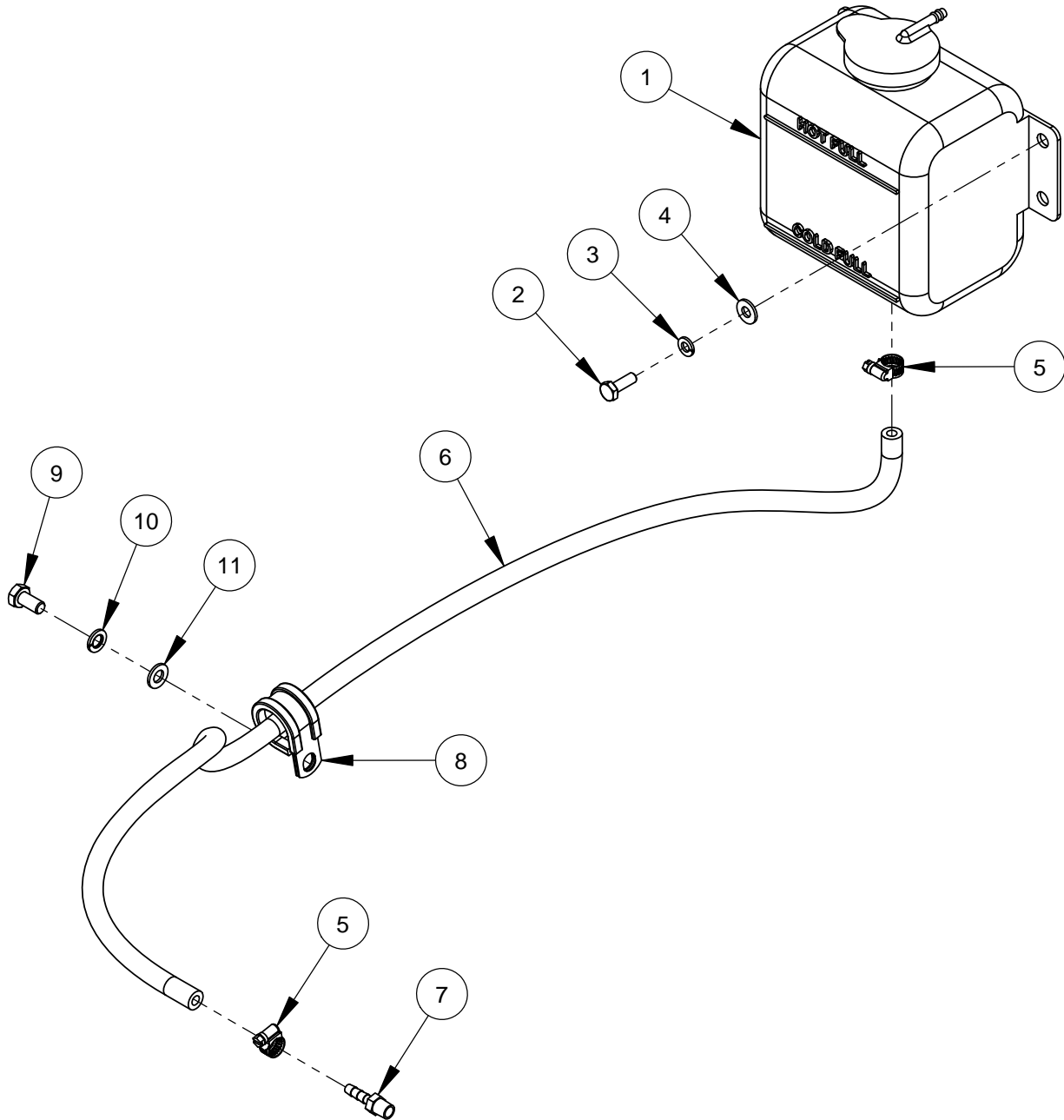
ITEM	PART NO.	QTY.	DESCRIPTION
1	6010097	1	Depth Stop Weldment
2	2900665	4	Belleville Washer, 1/2"
3	2900058	1	Flat Washer, 1/2" SAE
4	2900239	1	Friction Washer, 1/2"
5	6010095	1	Depth Stop Knob
6	2900132	1	Roll Pin, 3/16" x 1-1/4"
7	2900158	1	Yoke, 1/2-13
8	2900084	1	Lock Washer, 1/2" Split
9	2900037	1	Hex Nut, 1/2-13
10	2900007	1	Clevis Pin, 1/2" Dia. x 1-3/8"
11	2900004	1	Cotter Pin, 1/8" x 1"

## Air Cleaner Assembly #6019016



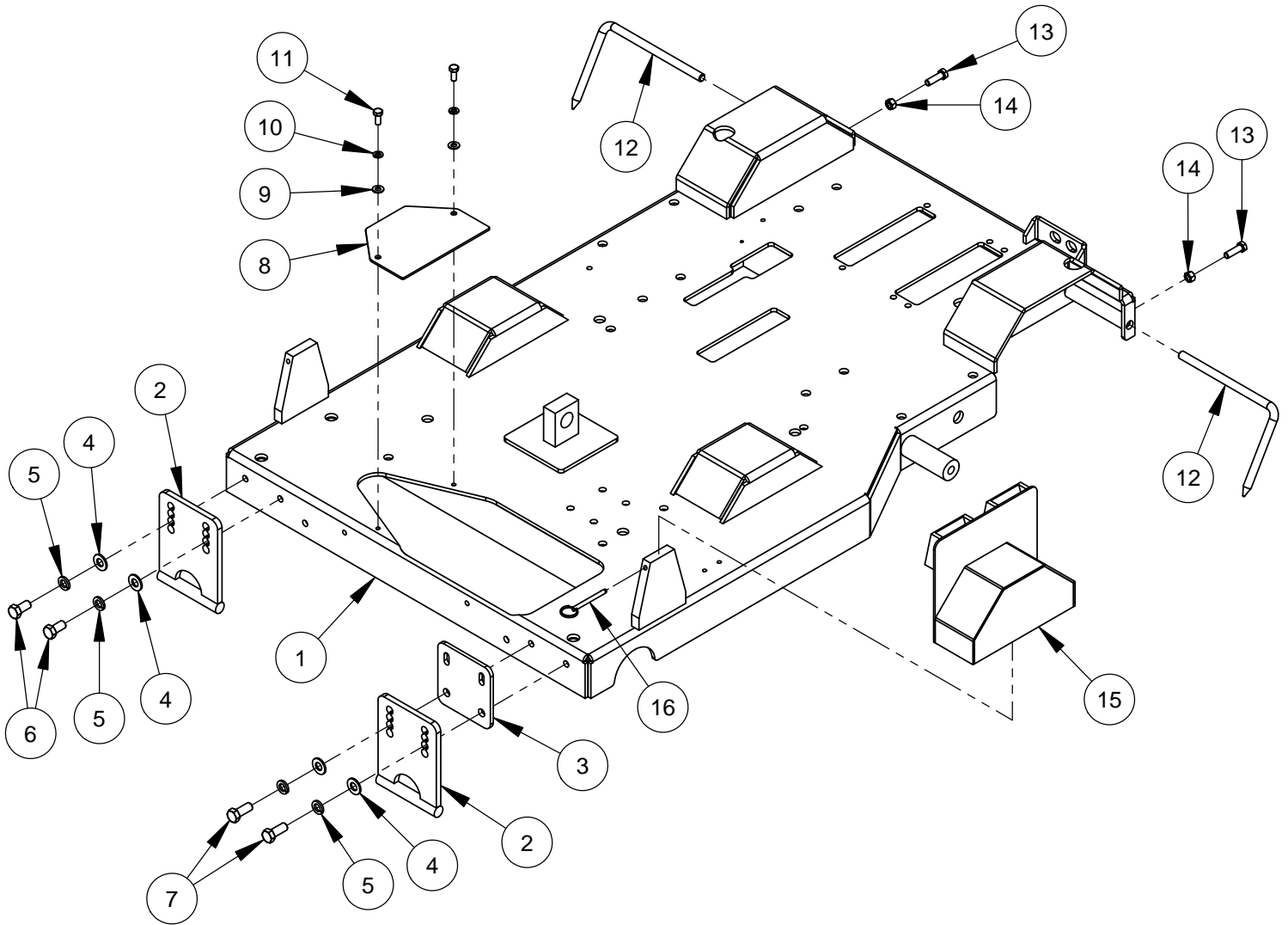
ITEM	PART NO.	QTY.	DESCRIPTION
1	2503852	1	Air Cleaner Complete
	2501386	1	Outer Primary Filter
	2501387	1	Inner Safety Filter
	2500239	1	Rubber Dust Ejector Boot
2	2501388	1	Pre-Cleaner with Clamp
	3200197	1	Hose Clamp #52
3	2500423	1	Restriction Indicator
4	3200117	1	Close Nipple, 1/8" NPT
5	3200099	1	Street Elbow, 1/8" NPT x 45 Deg.
6	2501385	1	Mounting Band, Polymer
7	6010325	1	Air Cleaner Mount Spacer
8	2900138	1	Cap Screw, Hex Hd., 5/16-18 x 1"
9	2900022	5	Flat Washer, 5/16" SAE
10	2900039	4	Lock Nut, 5/16-18 Nylon
11	2900217	1	Cap Screw, Hex Hd., 5/16-18 x 1-1/4"
12	2900508	1	Cap Screw, Hex Hd., 5/16-18 x 1-1/2"
13	2900538	1	Cap Screw, Hex Hd., 5/16-18 x 1-3/4"
14	6019096	1	Air Cleaner Hose, 3" I.D. x 17"
15	3200197	2	Hose Clamp #52
16	6010052	1	Connector Tube, 2-1/2" O.D.
17	2500232	1	Hose Elbow, 2-1/2" I.D.
18	3200096	1	Hose Clamp #40

## Coolant Tank Assembly #6019009



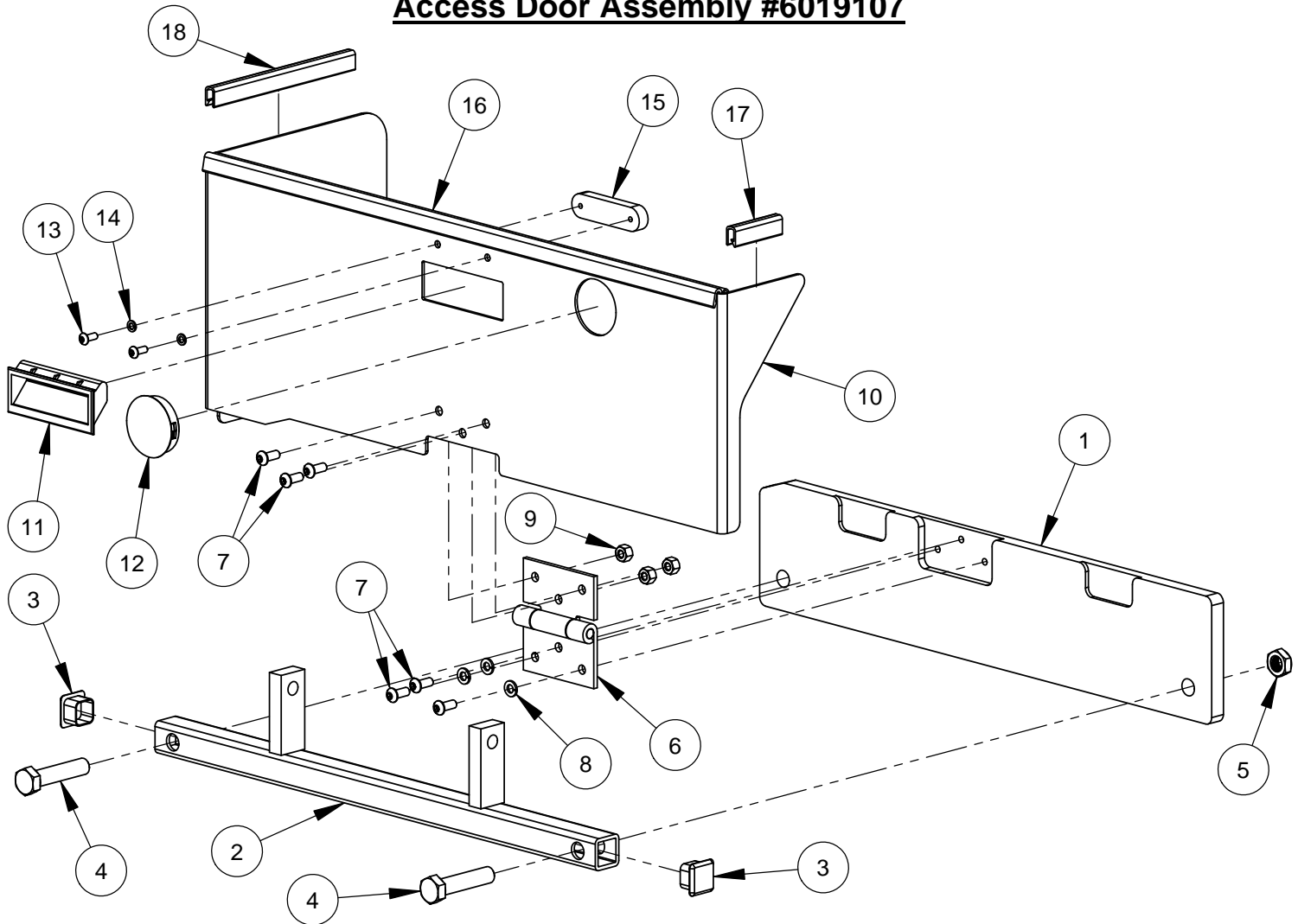
ITEM	PART NO.	QTY.	DESCRIPTION
1	2503716	1	Coolant Recovery Tank & Cap
2	2900144	1	Cap Screw, Hex Hd., 1/4-20 x 3/4"
3	2900024	1	Lock Washer, 1/4" Split
4	2900009	1	Flat Washer, 1/4" SAE
5	3200062	2	Hose Clamp #4
6	6019095	1	Hose, 1/4" I.D. x 42" Long
7	3200018	1	Fitting, 1/8" M. Pipe to 1/4" Hose Barb
8	3201729	1	Hose Clamp, 1" x 3/4" Wide
9	2900868	1	Cap Screw, Hex Hd., M8-1.25 x 16mm
10	2900763	1	Lock Washer, M8 Split
11	2901336	1	Flat Washer, M8

## Frame Base Assembly #6019104



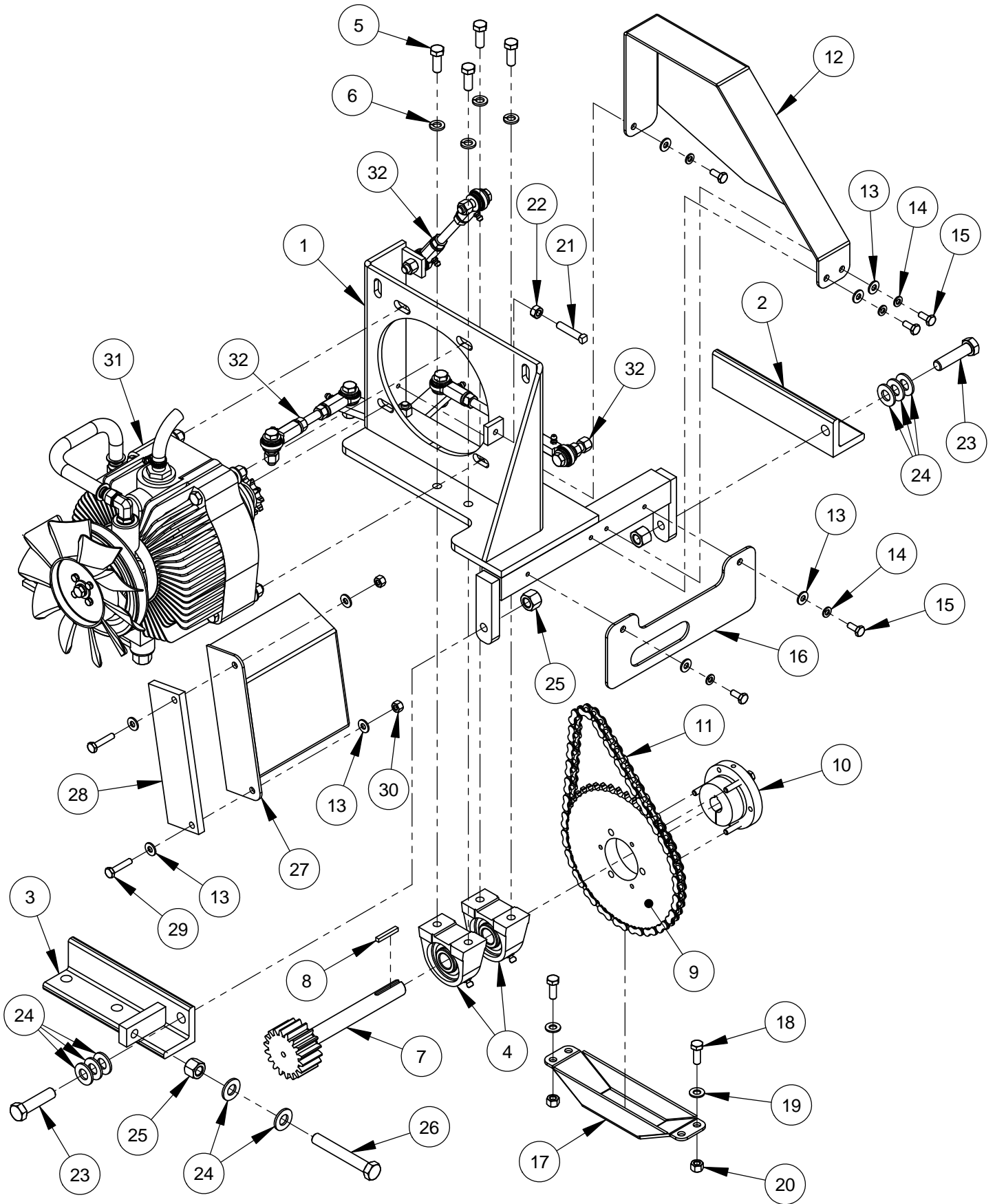
ITEM	PART NO.	QTY.	DESCRIPTION
1	6010968	1	Frame Base Weldment
2	6017157	2	Skid Plate
3	6010973	1	Guard Attachment Plate
4	2900058	4	Flat Washer, 1/2" SAE
5	2900084	4	Lock Washer, 1/2" Split
6	2900086	2	Cap Screw, Hex Hd., 1/2-13 x 1"
7	2900025	2	Cap Screw, Hex Hd., 1/2-13 x 1-1/4"
8	6010974	1	Cover Plate
9	2900022	2	Flat Washer, 5/16" SAE
10	2900031	2	Lock Washer, 5/16" Split
11	2900019	2	Cap Screw, Hex Hd., 5/16-18 x 3/4"
12	6010683	2	Rear Pointer Rod
13	2900013	2	Cap Screw, Hex Hd., 3/8-16 x 1-1/4"
14	2900033	2	Hex Nut, 3/8-16
15	6010645	1	Shaft/Flange Guard (Wide)
16	2900156	1	Lock Pin with Ring

## Access Door Assembly #6019107



ITEM	PART NO.	QTY.	DESCRIPTION
1	6019081	1	Attachment Plate
2	6010979	1	Pointer Mount
3	2500573	2	Plug, 1" Square Tube
4	2900192	2	Cap Screw, Hex Hd., 1/2-13 x 2-1/4"
5	2900543	2	Jam Lock Nut, 1/2-13
6	2500270	1	Blade Guard Hinge
7	2900863	6	Cap Screw, Button Hd., 1/4-20 x 5/8"
8	2900024	3	Lock Washer, 1/4" Split
9	2900010	3	Lock Nut, 1/4-20 Nylon
10	6019082	1	Access Door
11	2503687	1	Pocket Pull Handle
12	2504563	1	Plug, 1-3/4" Hole
13	2901312	2	Cap Screw, Button Hd., #10-24 x 1/2"
14	2900038	2	Lock Washer, #10 Split
15	6019084	1	Strike Plate
16	6019127	1	Edge Trim Seal 21-3/4"
17	6019128	1	Edge Trim 2"
18	6019119	1	Edge Trim 6"

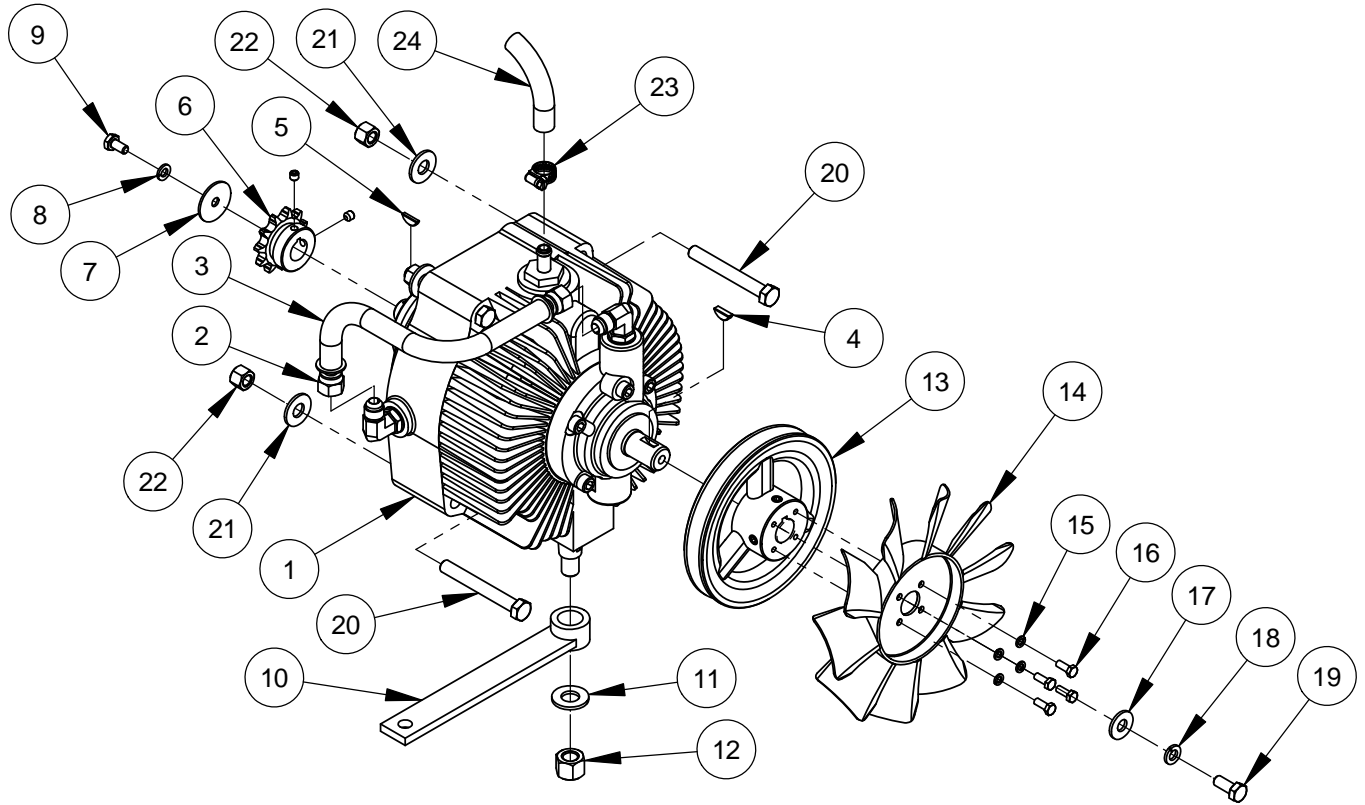
# Rear Drive Assembly #6013178



## Rear Drive Assembly #6013178

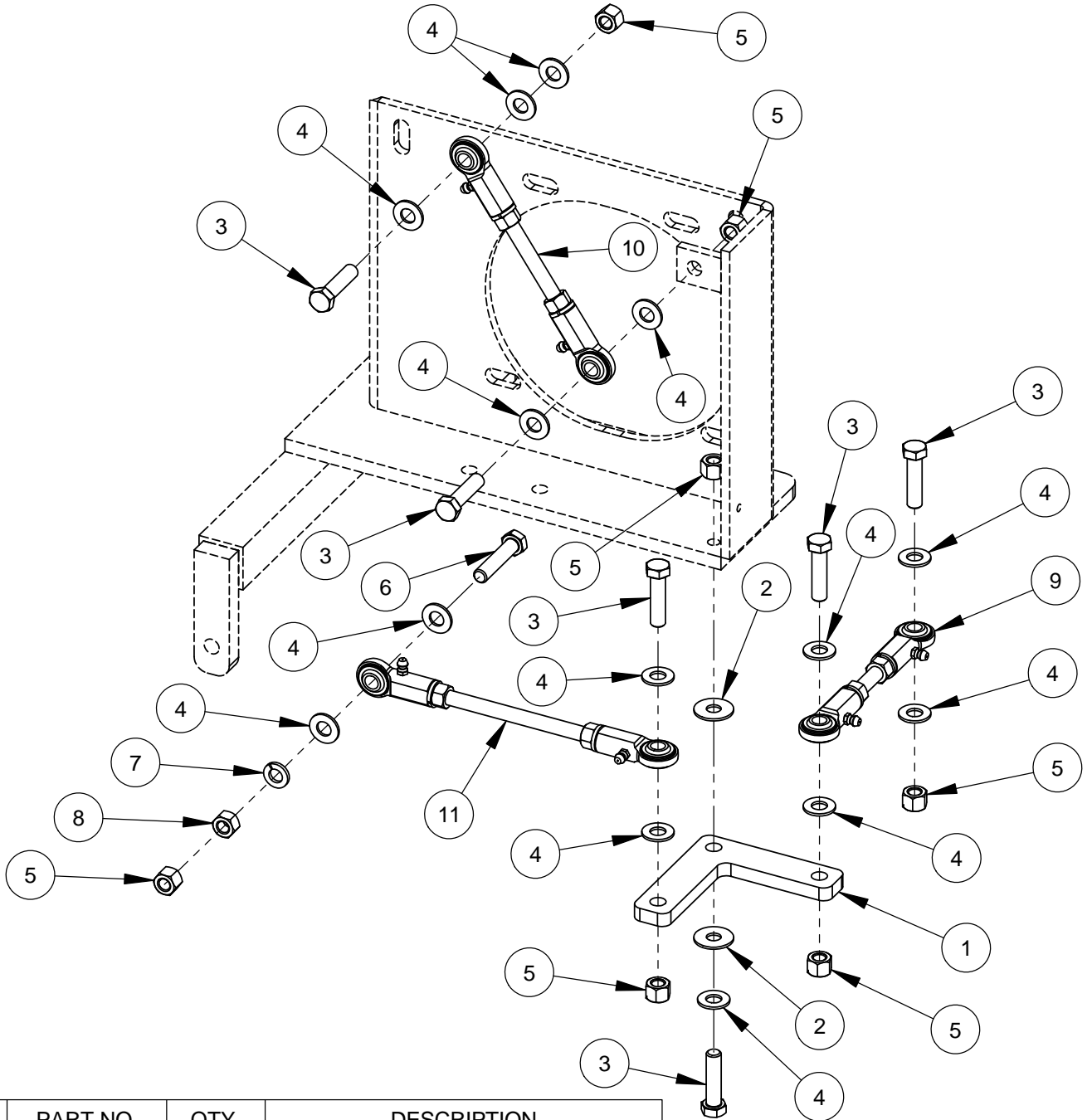
ITEM	PART NO.	QTY.	DESCRIPTION
1	6010068	1	Transmission Platform Weldment
2	6010027	1	Mount Foot, Right Hand
3	6010028	1	Mount Foot, Adjustable
4	2500159	2	Pillow Block Bearing, 3/4"
5	2900005	4	Cap Screw, Hex Hd., 3/8-16 x 1"
6	2900006	4	Lock Washer, 3/8" Split
7	6010664	1	Transmission Jackshaft 18T
8	6048229	1	Key, 3/16" Sq. x 1-1/4"
9	2500148	1	Sprocket, #40 x 45 Tooth
10	2500149	1	QD Bushing, SDS x 3/4" w/Fasteners
11	6010069	1	Chain, #40 x 56 Pitch
12	6010671	1	Chain Guard
13	2900009	9	Flat Washer, 1/4" SAE
14	2900024	5	Lock Washer, 1/4" Split
15	2900023	5	Cap Screw, Hex Hd., 1/4-20 x 5/8"
16	6010679	1	Gear Guard
17	6010674	1	Sprocket Guard
18	2900668	2	Cap Screw, Hex Hd., 5/16-18 x 7/8"
19	2900022	2	Flat Washer, 5/16" SAE
20	2900039	2	Lock Nut, 5/16-18 Nylon
21	2900140	1	Set Screw, Sq. Hd., 5/16-18 x 1-1/2"
22	2900141	1	Hex Nut, 5/16-18
23	2900106	2	Cap Screw, Hex Hd., 1/2-13 x 2"
24	2900058	8	Flat Washer, 1/2" SAE
25	2900026	3	Lock Nut, 1/2-13 Nylon
26	2900542	1	Tap Bolt, Hex Hd., 1/2-13 x 3-1/2"
27	6010673	1	Fan Guard
28	6010735	1	Spacer, Fan Guard
29	2900052	2	Cap Screw, Hex Hd., 1/4-20 x 1-1/4"
30	2900010	2	Lock Nut, 1/4-20 Nylon
31	6010724	1	Eaton Transmission Assembly
32	6010725	1	Linkage Assembly

## Eaton Transmission Assembly #6010724



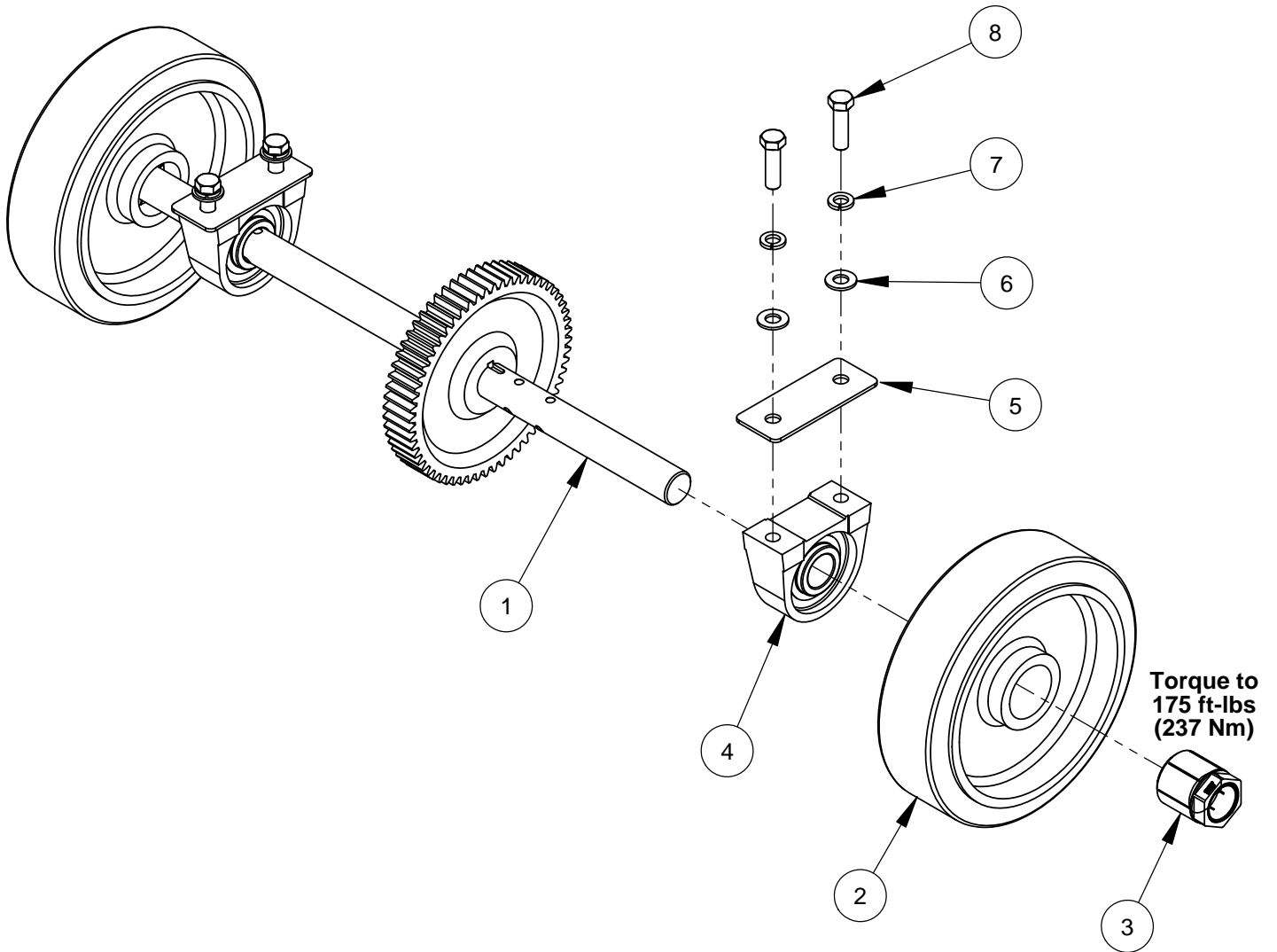
ITEM	PART NO.	QTY.	DESCRIPTION
1	2600068	1	Eaton Hydrostatic Transmission
2	3200046	2	Fitting, 3/8" F. JIC to 3/8" Push Lock
3	6010060	1	Oil Recirculation Hose, 3/8" I.D. x 9"
4	2900143	1	Woodruff Key #61, 3/16" x 5/8"
5	2900063	1	Woodruff Key #405, 1/8" x 5/8"
6	2500150	1	Sprocket, #40 x 11 Tooth w/Setscrews
7	2900083	1	Fender Washer, 1/4" x 1-1/4"
8	2900024	1	Lock Washer, 1/4" Split
9	2900082	1	Cap Screw, Hex Hd., 1/4-20 x 1/2"
10	6010064	1	Shift Lever
11	2900058	1	Flat Washer, 1/2" SAE
12	2900026	1	Lock Nut, 1/2-13 Nylon
13	6010682	1	Transmission Pulley 5.5"
14	2500519	1	Cooling Fan, 7"
15	2900038	4	Lock Washer, #10 Split
16	2900448	4	Machine Screw, Hex Hd., #10-32 x 1/2"
17	2900567	1	Flat Washer, 5/16" USS
18	2900031	1	Lock Washer, 5/16" Split
19	2900019	1	Cap Screw, Hex Hd., 5/16-18 x 3/4"
20	2900035	4	Cap Screw, Hex Hd., 3/8-16 x 3"
21	2900473	4	Flat Washer, 3/8" USS
22	2900018	4	Lock Nut, 3/8-16 Nylon
23	3200390	1	Hose Clamp #6
24	6010059	1	Clear Hose, 3/8" I.D. x 19"

## Linkage Assembly #6010725



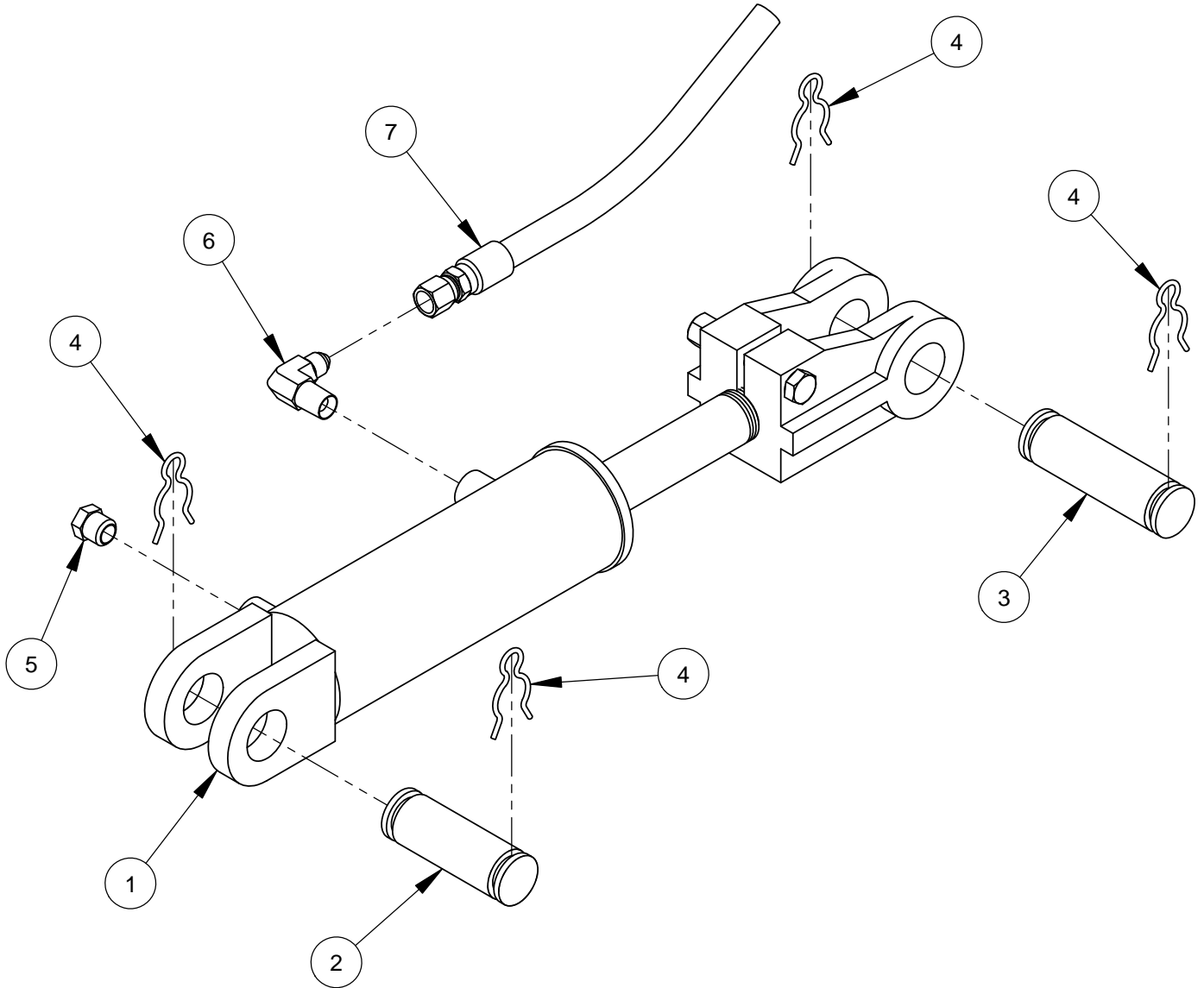
ITEM	PART NO.	QTY.	DESCRIPTION
1	6010067	1	Bell Crank
2	2900153	2	Friction Washer, 3/8"
3	2900029	6	Cap Screw, Hex Hd., 3/8-16 x 1-1/2"
4	2900014	14	Flat Washer, 3/8" SAE
5	2900018	7	Lock Nut, 3/8-16 Nylon
6	2900047	1	Cap Screw, Hex Hd., 3/8-16 x 1-3/4"
7	2900006	1	Lock Washer, 3/8" Split
8	2900033	1	Hex Nut, 3/8-16
9	6010704	1	Linkage Assembly 5-1/8"
10	6010705	1	Linkage Assembly 6-1/4"
11	6010706	1	Linkage Assembly 8"

## Rear Axle Assembly #6010743



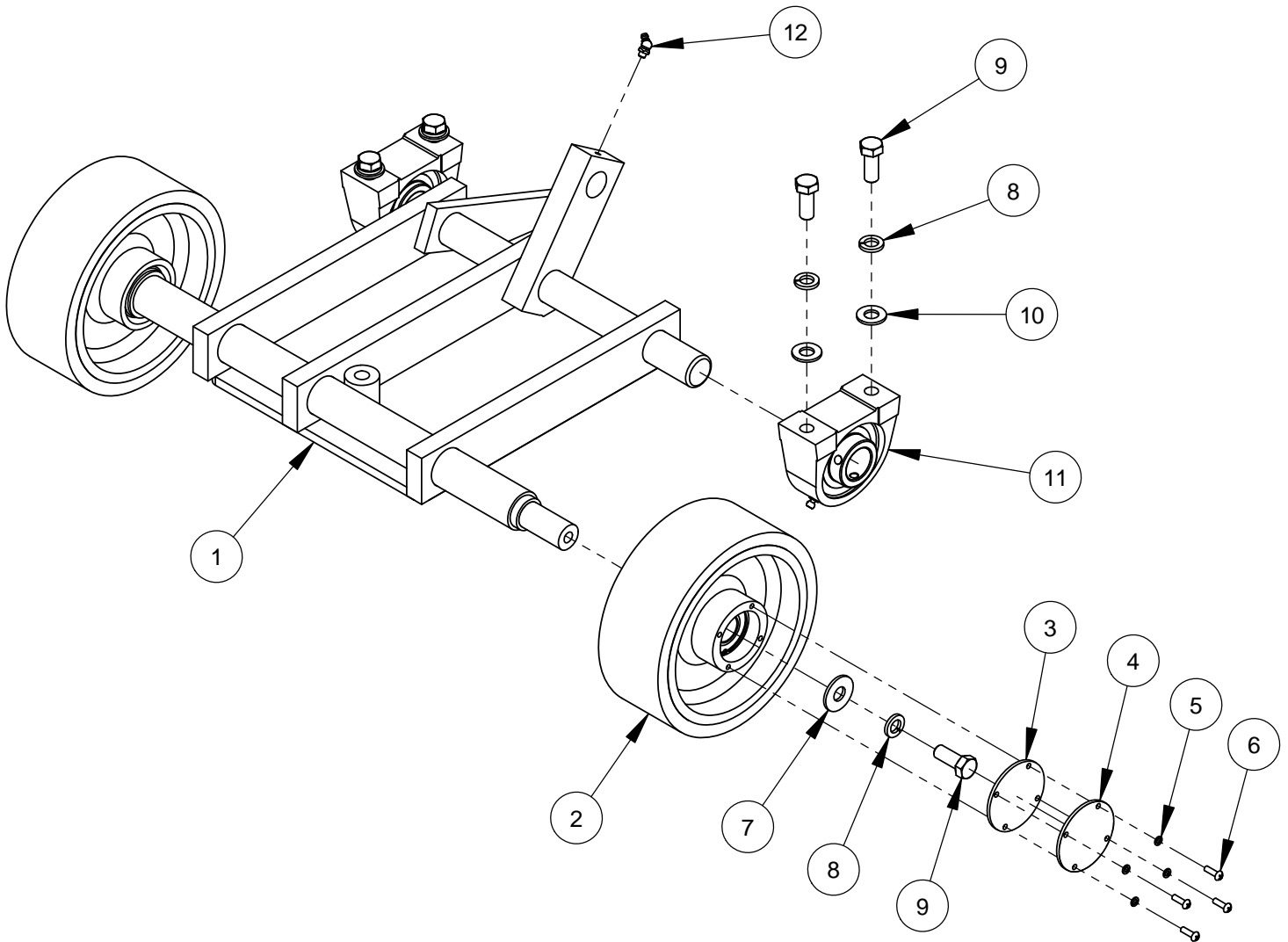
ITEM	PART NO.	QTY.	DESCRIPTION
1	6010686	1	Rear Axle Weldment w/60 Tooth Gear
2	2500873	2	Wheel, 10" Rear with 2" Bore
3	2500874	2	Trantorque Bushing, 1-1/4"
4	2500158	2	Pillow Block Bearing 1-1/4"
5	6010024	2	Rear Axle Bearing Spacer, 1/8"
6	2900058	4	Flat Washer, 1/2" SAE
7	2900084	4	Lock Washer, 1/2" Split
8	2900139	4	Cap Screw, Hex Hd., 1/2-13 x 1-3/4"

## Hydraulic Cylinder Assembly #6010714



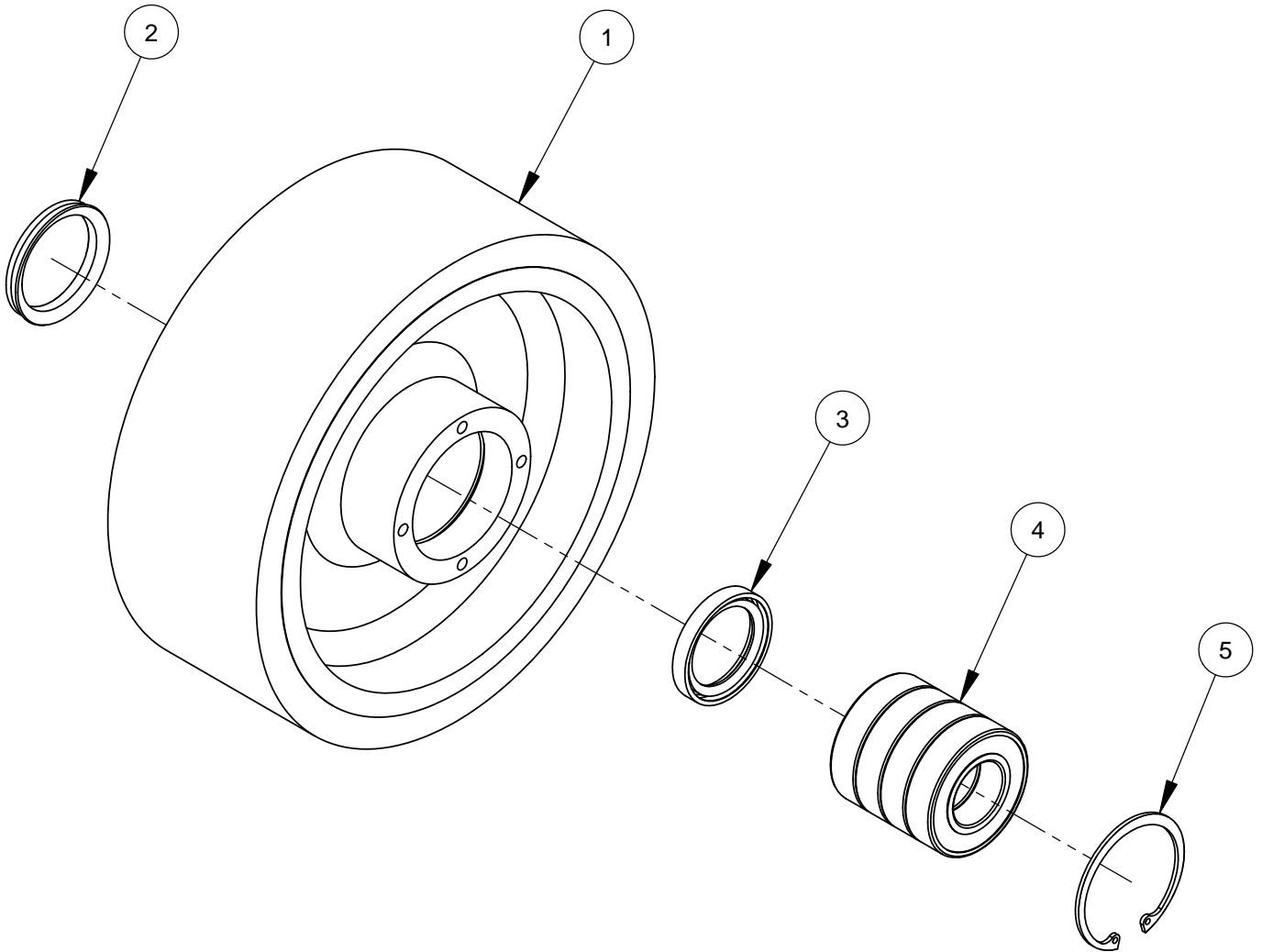
ITEM	PART NO.	QTY.	DESCRIPTION
1	2500177	1	Hydraulic Cylinder
2	6010031	1	Cylinder Pin, 1" Dia. x 3" Long
3	6010119	1	Cylinder Pin, 1" Dia. x 3-1/2" Long
4	2900064	4	Hair Pin Cotter, 3/4"
5	3200067	1	Breather Vent, 1/4" NPT
6	3200057	1	Elbow, 1/4" M. Pipe to 1/4" M. JIC
7	3200054	1	Hose Assembly, 32" Long

## Front Axle Assembly #6010746



ITEM	PART NO.	QTY.	DESCRIPTION
1	6010747	1	Front Axle Weldment
2	6010581	2	Wheel Assembly, 8" Front
3	2501393	2	Wheel Cover Gasket
4	6010536	2	Wheel Cover
5	2900038	8	Lock Washer, #10 Split
6	2900159	8	Machine Screw, Rd. Hd., #10-24 x 5/8"
7	2900127	2	Flat Washer, 1/2" USS
8	2900084	6	Lock Washer, 1/2" Split
9	2900025	6	Cap Screw, Hex Hd., 1/2-13 x 1-1/4"
10	2900058	4	Flat Washer, 1/2" SAE
11	2500158	2	Pillow Block Bearing 1-1/4"
12	2900184	1	Grease Fitting, 1/4" NPT x 45 degree

## Front Wheel Assembly #6010581



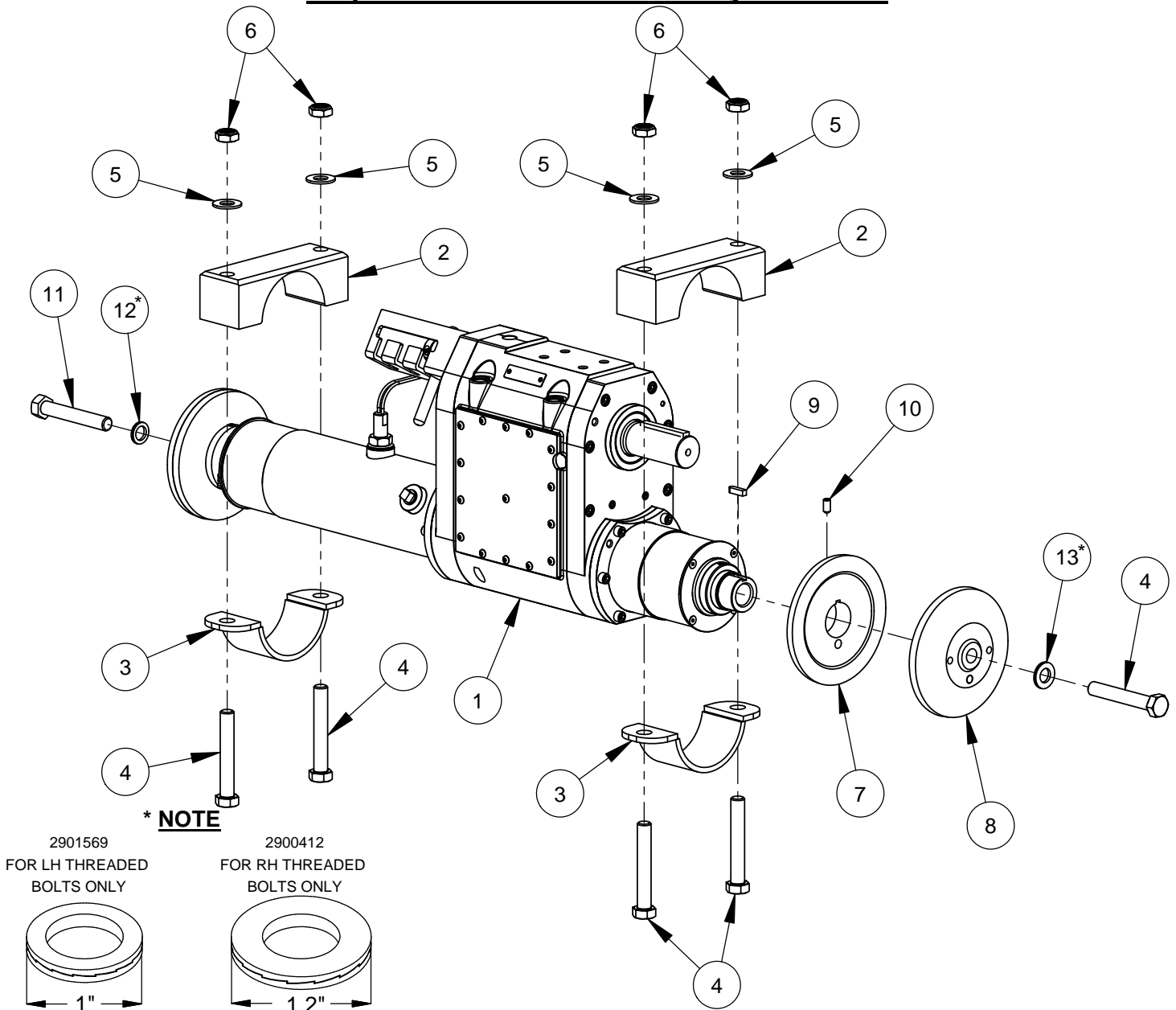
ITEM	PART NO.	QTY.	DESCRIPTION
1	2501390	1	Wheel, 8" Front
2	2501428	1	Seal, 1-1/2" V-Ring
3	2501391	1	Seal, 1-1/4" x 1-3/4" x 1/4"
4	2501418	4	Ball Bearing, 1" x 2" x 1/2"
5	2501392	1	Retaining Ring, 2" Internal



### **3-Speed Transmission Assembly #6018282**

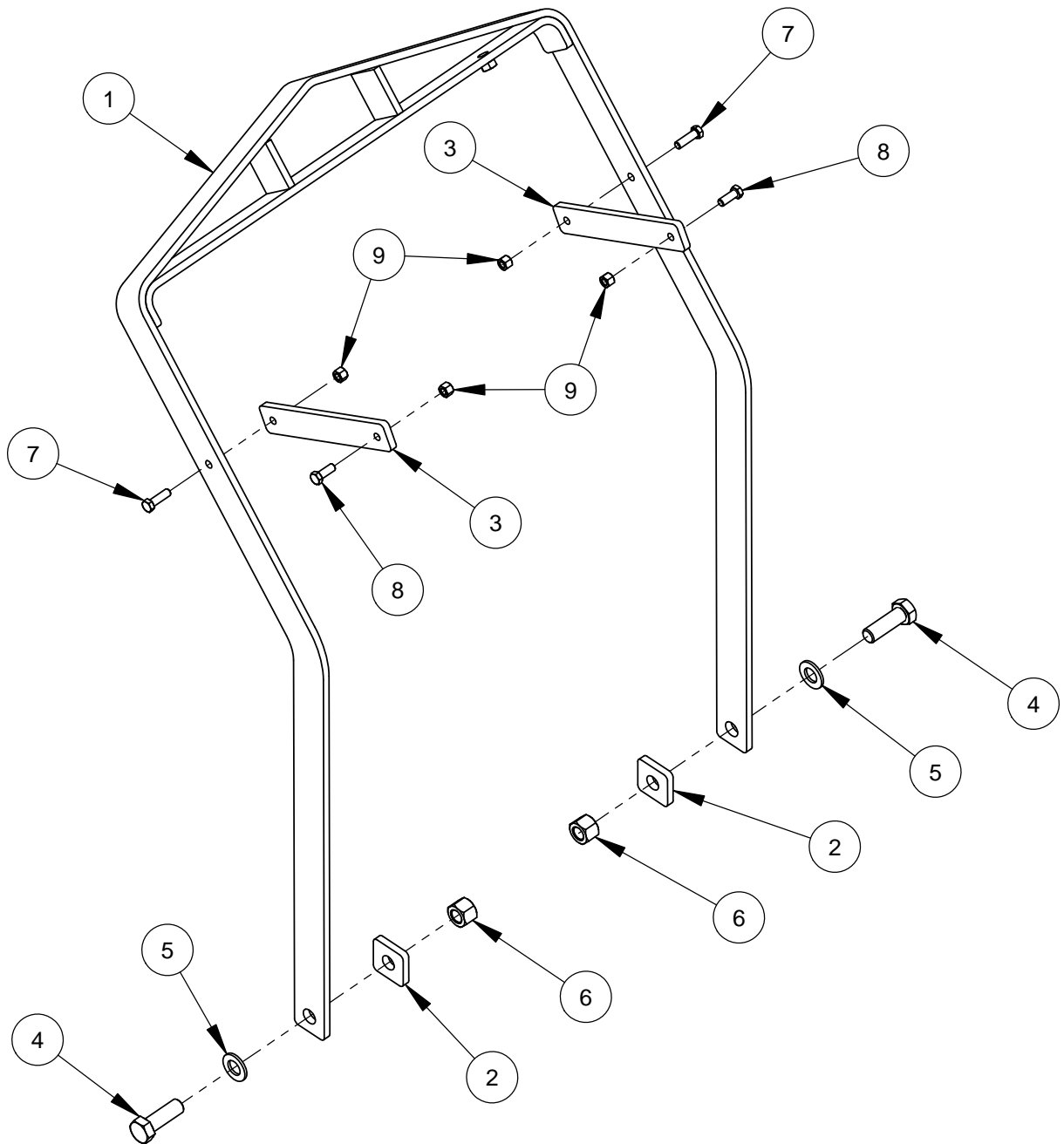
ITEM	PART NO.	QTY.	DESCRIPTION
1	6018056	2	Heat Exchanger Cover Plate
2	2506441	1	Oil Seal, 1/2 x 1.00 x 1/4"
3	6018064	1	Shift Bracket
4	6018065	1	Shifter Housing
5	2903244	1	Dowel Pin, 1/4" Dia. x 1/2"
6	2504769	2	1/2" Split Shaft Collar
7	2506445	2	1/2" Wave Washer
8	6018063	1	Shift Lever Assembly
9	2500751	2	Seal, 1-3/4" V-Ring
10	6018028	2	V-Ring Cover
11	6018049	2	Seal Retainer
12	2900978	8	Cap Screw, Flat Hd., #10-24 x 1/2"
13	2900142	4	Set Screw, Soc. Hd., 5/16-18 x 3/8"
14	2800169	1	Magnetic Sensor w/Jam Nut
15	2900805	1	Sealing Washer, 5/8"
16	3200001	3	Plug, 1/8" NPT
17	3200153	1	Pipe Plug, 3/8" NPT
18	3202334	1	1/2" NPTF Magnetic Pipe Plug
19	6011058	1	Key, 3/8" Sq. x 2-3/4"
20	2900061	2	Grease Fitting, 1/4-28 x 90 Degree
21	2500939	2	O-Ring, AS568A - 010
22	2901312	30	Cap Screw, Button Hd., #10-24 x 1/2"
23	2506443	1	Oil Seal, 40 x 60 x 10mm
24	2503944	2	Oil Seal, 45 x 85 x 10mm

### 3 Speed Blade Shaft Assembly #6010941



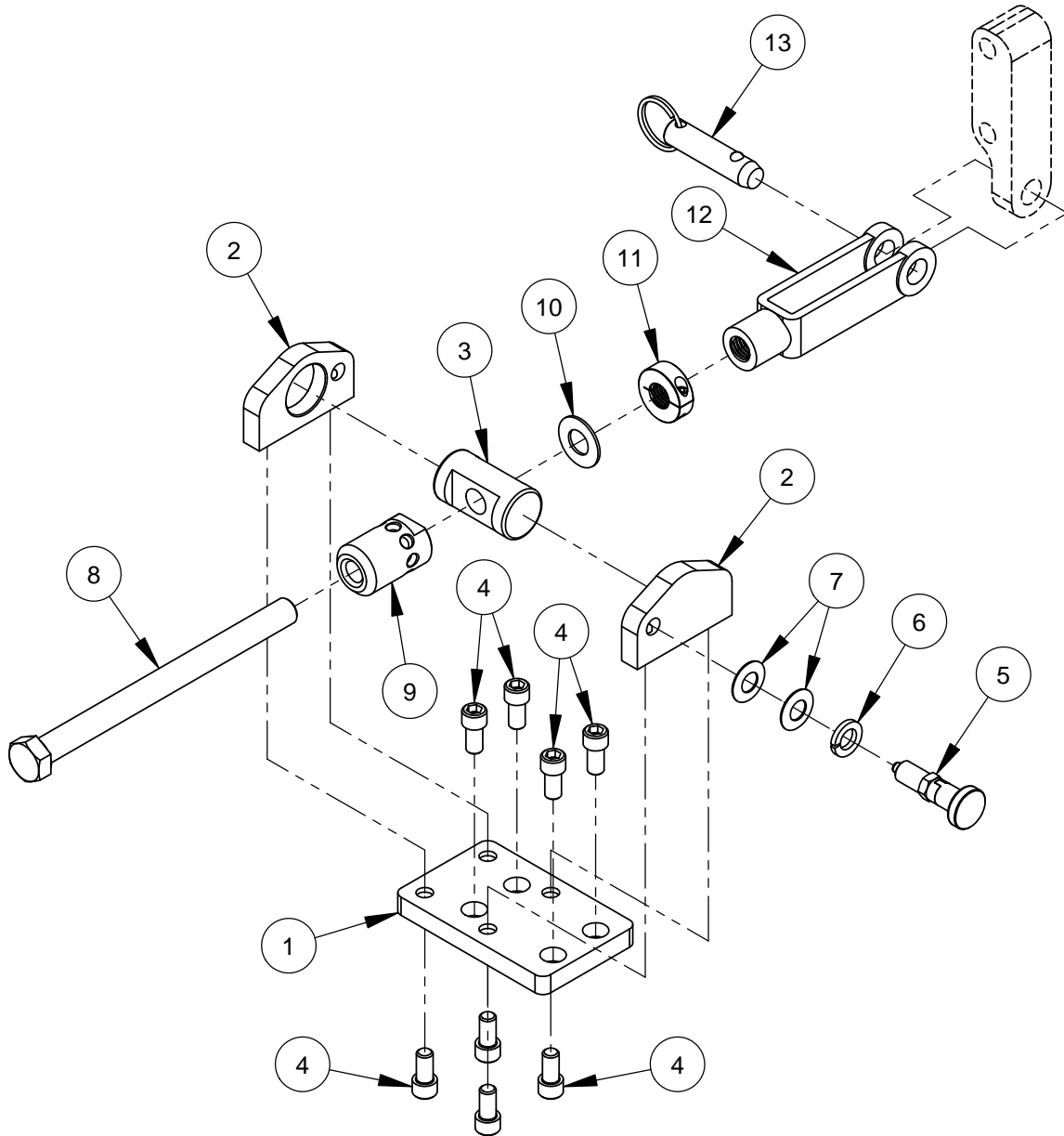
ITEM	PART NO.	QTY.	DESCRIPTION
1	6018282	1	Trans Asm: 3-Spd: 33.6" HD
2	6010980	2	Clamp Block
3	6010981	2	Saddle Clamp
4	2900146	5	Cap Screw, Hex Hd., 5/8-11 x 4"
5	2900002	4	Flat Washer, 5/8" SAE
6	2900753	4	Jam Lock Nut, 5/8-11
7	6010038	2	Inner Flange 6"
8	6010039	2	Outer Flange 6" with Pin
9	6010040	2	Key, 1/4" Sq. x 15/16"
10	2900418	2	Set Screw, Soc. Hd., 5/16-18 x 5/8"
11	2900130	1	Cap Screw, Hex Hd., 5/8-11 x 4" LH
12	2901569	1	Lock Washer, Wedge 5/8" LH
13	2900412	1	Lock Washer, Wedge 5/8"

## Frame Lift Assembly #6010731



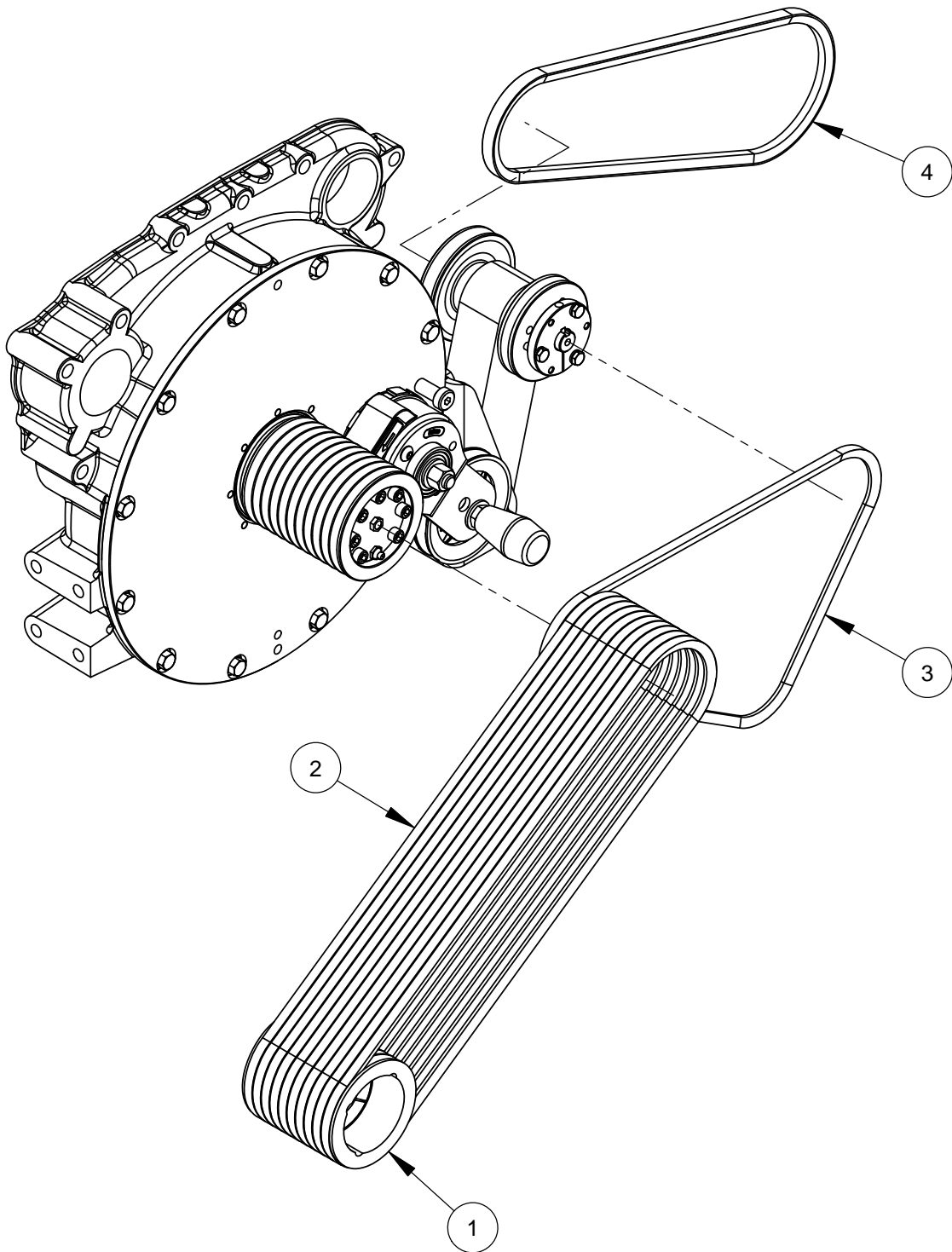
ITEM	PART NO.	QTY.	DESCRIPTION
1	6013051	1	Frame Lift
2	6013053	2	Frame Lift Spacer
3	6010689	2	Frame Lift Brace
4	2900465	2	Cap Screw, Hex Hd., 3/4-10 x 2-1/4"
5	2900003	2	Flat Washer, 3/4" SAE
6	2900467	2	Lock Nut, 3/4-10 Nylon
7	2900013	2	Cap Screw, Hex Hd., 3/8-16 x 1-1/4"
8	2900005	2	Cap Screw, Hex Hd., 3/8-16 x 1"
9	2900018	4	Lock Nut, 3/8-16 Nylon

## Belt Tensioner Assembly #6019129



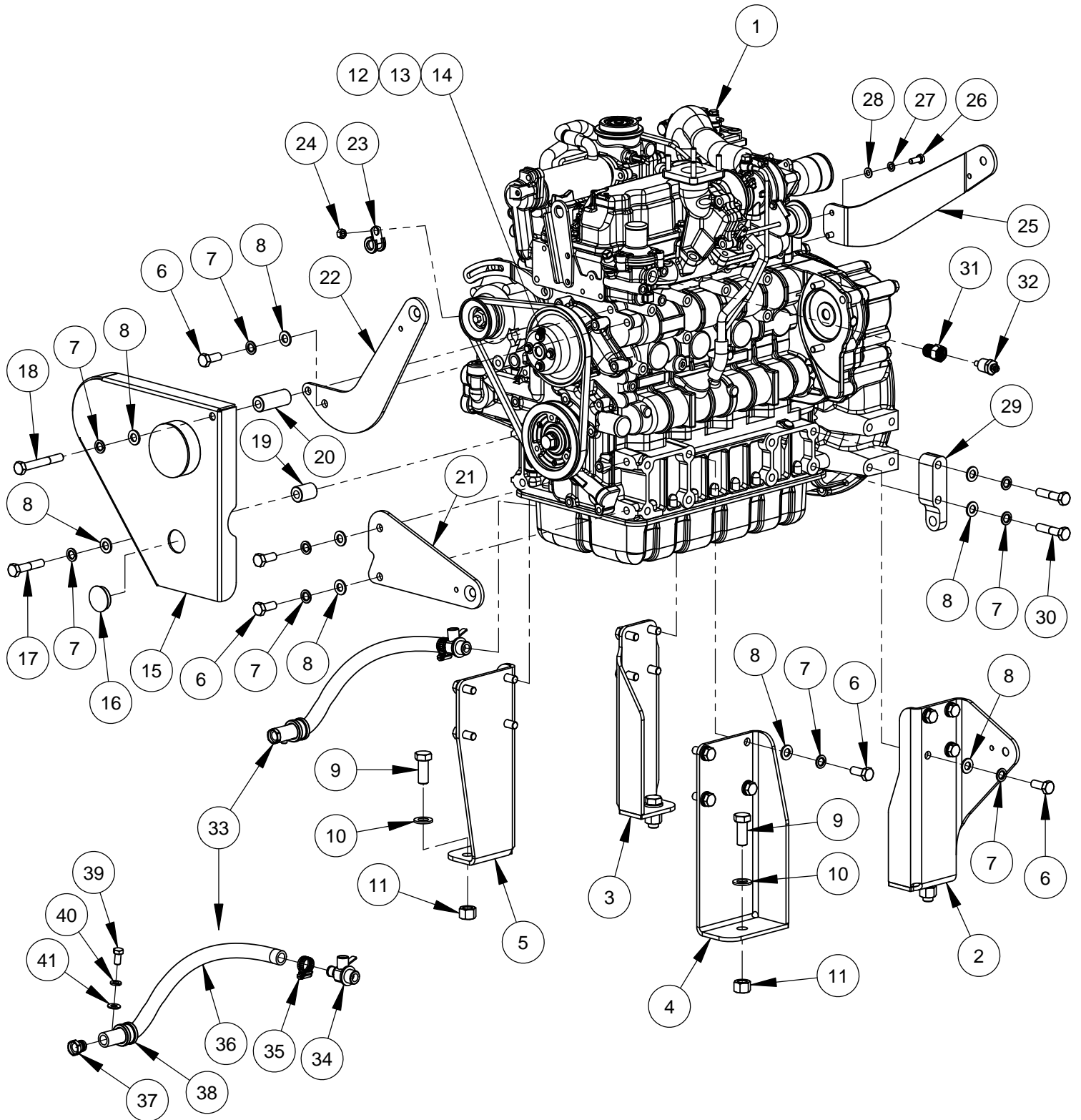
ITEM	PART NO.	QTY.	DESCRIPTION
1	6019040	1	Clevis Base
2	6019041	2	Clevis Flange
3	6010976	1	Clevis Pin
4	2900976	8	Cap Screw, Soc. Hd., 3/8-16 x 3/4"
5	2400138	1	Indexing Plunger 1/2-13
6	2900084	1	Lock Washer, 1/2" Split
7	2900665	2	Belleville Washer, 1/2"
8	2901392	1	Tap Bolt, Hex Hd., 5/8-11 x 8"
9	6019042	1	Detent Nut
10	2901561	1	Thrust Washer, 5/8"
11	2503968	1	Collar, 5/8-11 Split
12	2503967	1	Yoke, 5/8-11
13	2901371	1	Lock Pin with Ring

## Belt Drive Assembly #6019130



ITEM	PART NO.	QTY.	DESCRIPTION
1	6010982	1	Sheave, 4" x 10 Groove w/Bushing
	2501380	1	Sheave, 4" x 10 Groove Taper Style
	2503811	1	Taper Bushing, 1-1/2" w/Setscrews
2	2503958	1	V-Belt, 3VX475K (Matched Set of 10)
3	2503678	1	V-Belt, 3VX390
4	2503613	1	V-Belt, AX38

# Engine Assembly #6019105

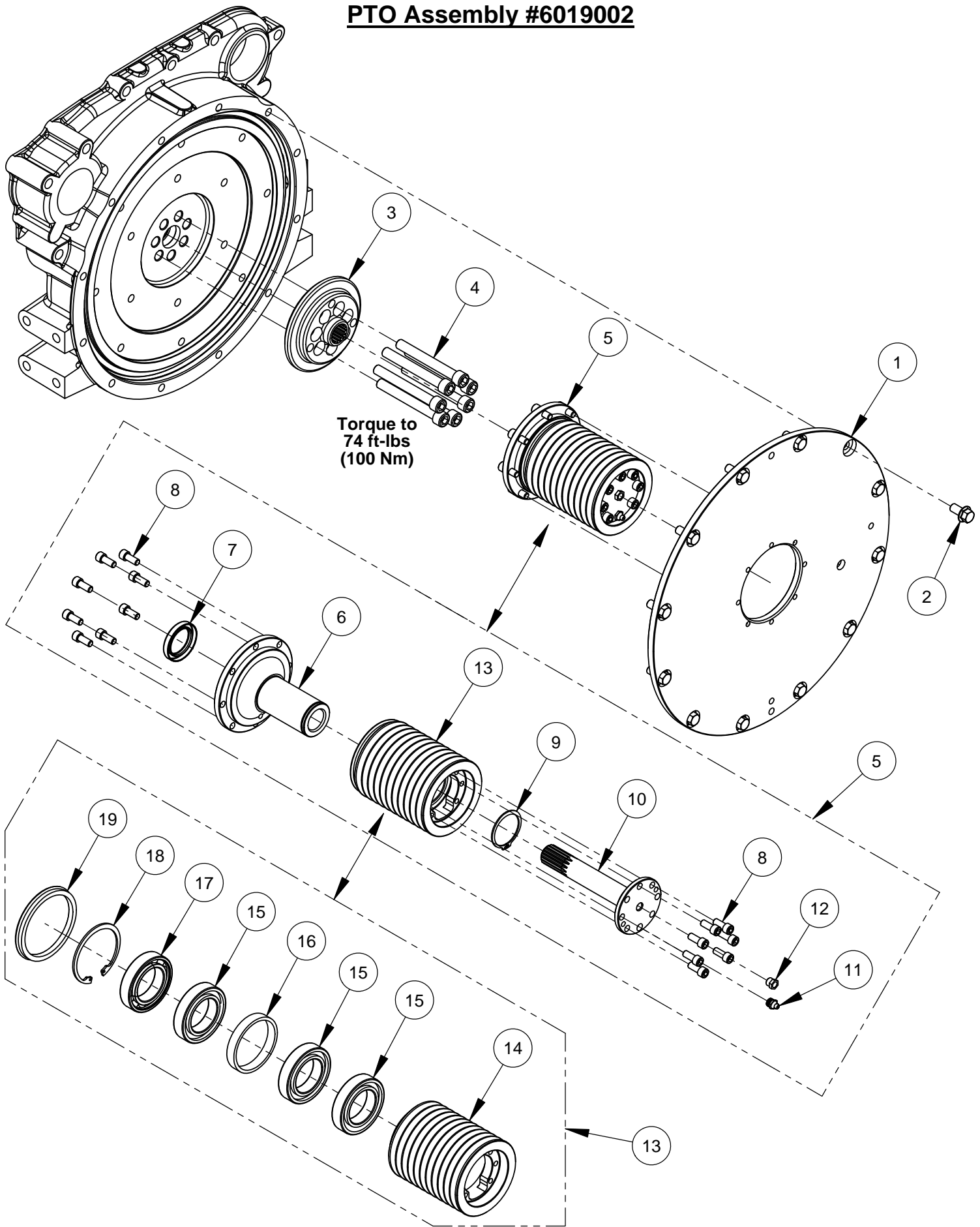


## Engine Assembly #6019105

ITEM	PART NO.	QTY.	DESCRIPTION
1	2600699	1	Engine, Kubota Model V2607
2	6019030	1	Engine Leg, Rear RH
3	6019031	1	Engine Leg, Rear LH
4	6019032	1	Engine Leg, Front RH
5	6019033	1	Engine Leg, Front LH
6	2900746	19	Cap Screw, Hex Hd., M12-1.25 x 30mm
7	2900699	23	Lock Washer, M12 Split
8	2901357	23	Flat Washer, M12
9	2900731	4	Cap Screw, Hex Hd., M16-2.0 x 40mm
10	2901358	4	Flat Washer, M16
11	2900670	4	Lock Nut, M16-2.0 Nylon Insert
12	2900341	4	Cap Screw, Hex Hd., M6-1.0 x 16mm
13	2900765	4	Lock Washer, M6 Split
14	2901359	4	Fender Washer, M6
15	6019079	1	Belt Guard, Engine
16	2500554	1	Plug, 1-1/2" Hole
17	2900886	1	Cap Screw, Hex Hd., M12-1.25 x 60mm
18	2900881	1	Cap Screw, Hex Hd., M12-1.25 x 90mm
19	6019085	1	Spacer, 1-3/8" long
20	6019097	1	Spacer, 2-1/2" long
21	6019034	1	Radiator Arm, Lower
22	6019035	1	Radiator Arm, Upper
23	2501434	1	Hose Clamp, 5/8" x 3/4" Wide
24	2900303	1	Lock Nut, M8-1.25 Nylon Insert
25	6019036	1	Radiator Arm, Upper Bent
26	2900329	2	Cap Screw, Hex Hd., M8-1.25 x 20mm
27	2900763	2	Lock Washer, M8 Split
28	2901336	2	Flat Washer, M8
29	6019039	1	Tensioner Anchor
30	2901573	2	Cap Screw, Hex Hd., M12-1.25 x 55mm
31	3202096	1	Adapter, 1/2" NPT (M to F)
32	2800624	1	Water Temperature Sender
33	6019089	1	Oil Drain Valve Assembly

ITEM	PART NO.	QTY.	DESCRIPTION
34	3200813	1	Oil Drain Valve, M22x1.5
35	3200016	1	Hose Clamp #8
36	6019086	1	Oil Drain Hose, 5/8" I.D. x 17"
37	3201728	1	Hose Plug
38	3201729	1	Hose Clamp, 1" x 3/4" Wide
39	2900196	1	Cap Screw, Hex Hd., 3/8-16 x 3/4"
40	2900006	1	Lock Washer, 3/8" Split
41	2900014	1	Flat Washer, 3/8" SAE

# PTO Assembly #6019002



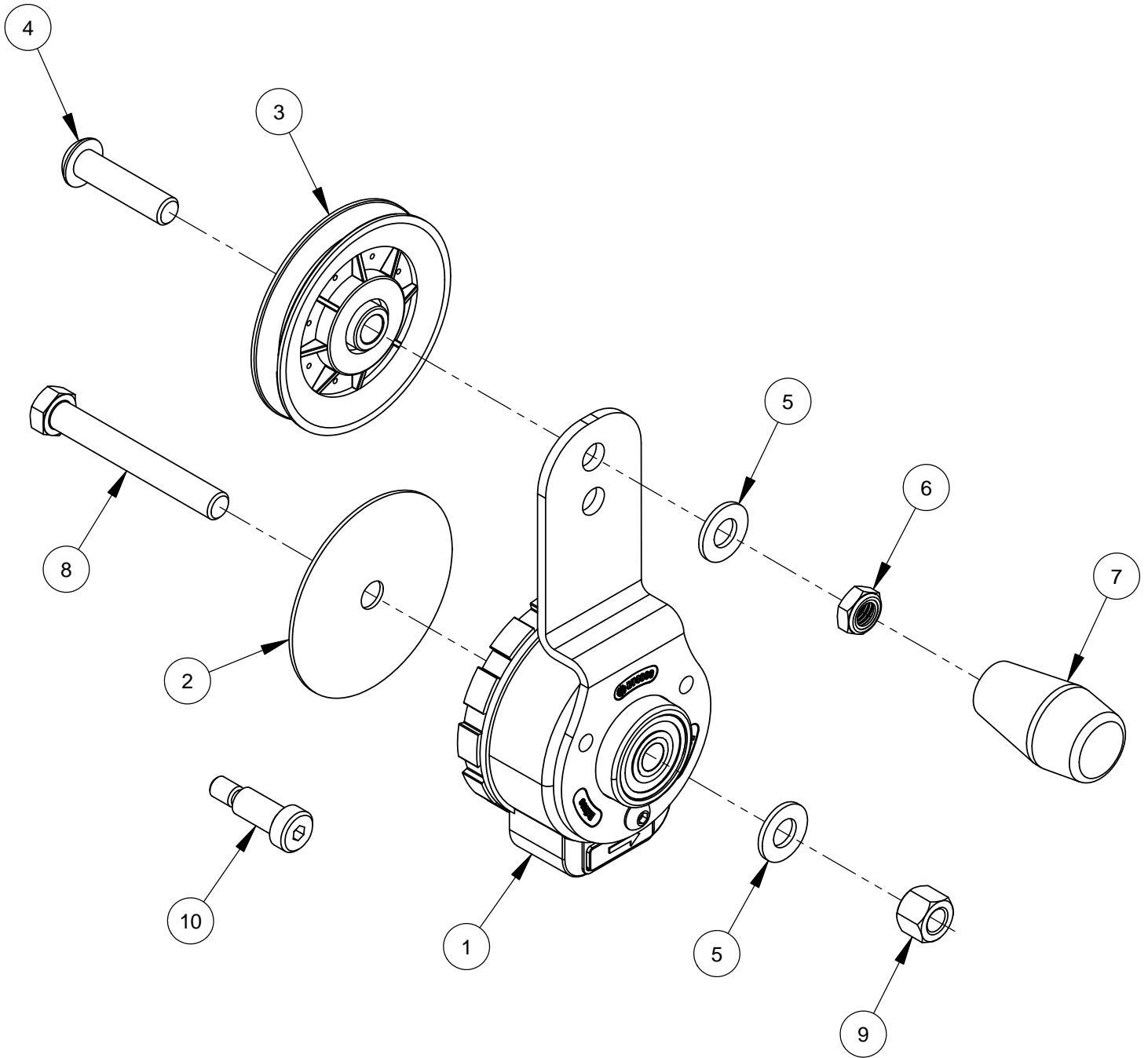
## PTO Assembly #6019002

ITEM	PART NO.	QTY.	DESCRIPTION
1	6019061	1	Inner Ring Support
2	2901394	12	Flange Bolt, Hex Hd., M10-1.25 x 20mm
3	6019141	1	Coupling Hub
4	2900882	7	Cap Screw, Soc. Hd., M12-1.25 x 100mm
5	6019019	1	PTO Unit

ITEM	PART NO.	QTY.	DESCRIPTION
6	6019062	1	Shaft Support Sleeve
7	2503666	1	Seal, 1-3/8" x 2" x 5/16"
8	2900912	15	Cap Screw, Soc. Hd., 5/16-18 x 3/4"
9	2503758	1	Retaining Ring, 45mm External
10	6019064	1	Splined Drive Shaft
11	2900062	1	Grease Fitting, 1/8" NPT
12	3201998	1	Breather Vent, 1/8" NPT
13	6019090	1	Sheave Assembly

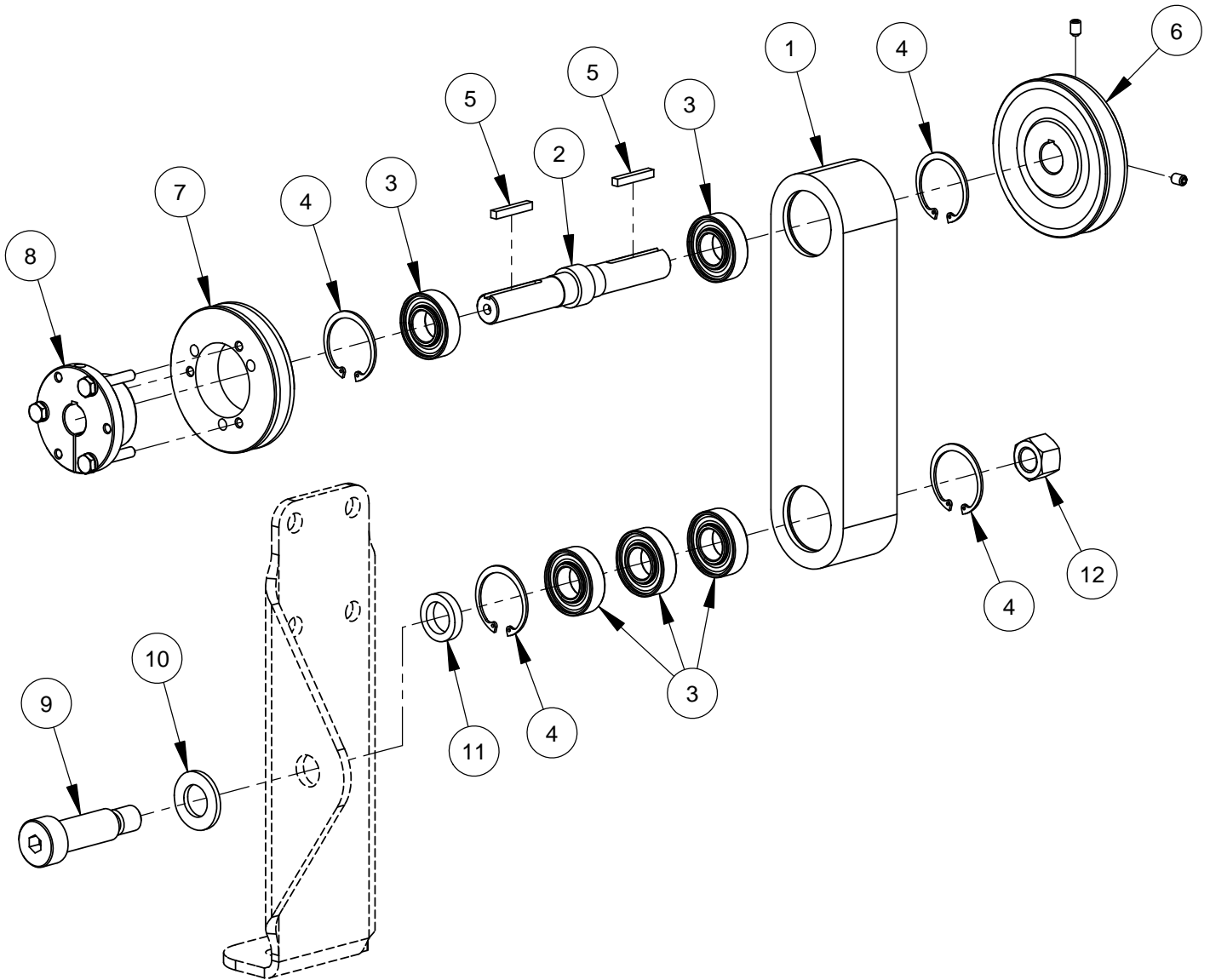
ITEM	PART NO.	QTY.	DESCRIPTION
14	6019063	1	Sheave, 4" x 11 Groove
15	2503760	3	Ball Bearing, 45 x 75 x 16 open
16	6019066	1	Bearing Spacer, 75 x 12
17	2503759	1	Ball Bearing, 45 x 75 x 16 w/seal
18	2503757	1	Retaining Ring, 75mm Internal
19	2503756	1	Seal, 80mm V-Ring

## Rotary Tensioner Assembly #6019003



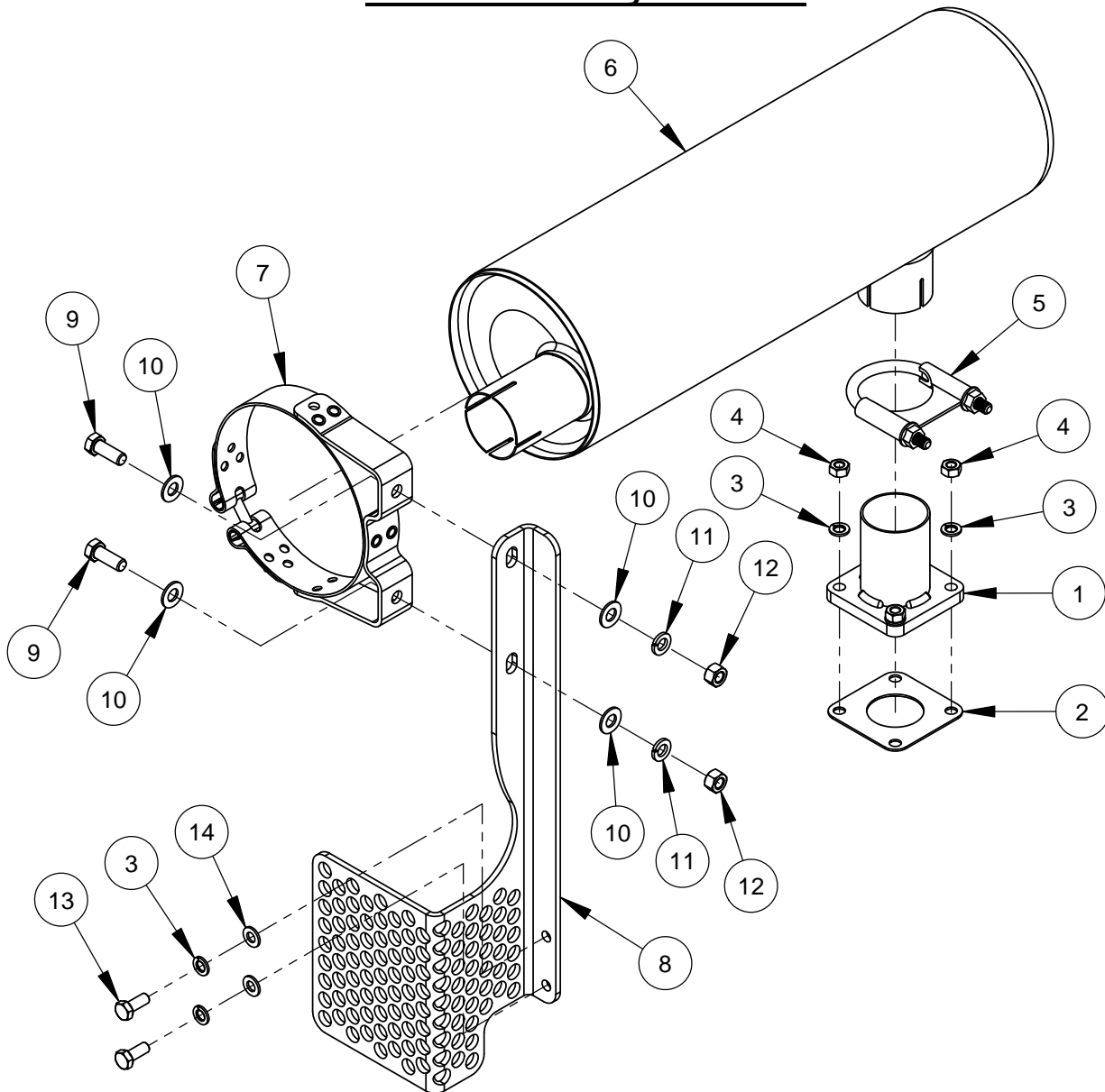
ITEM	PART NO.	QTY.	DESCRIPTION
1	2501750	1	Rotary Tensioner
2	6019067	1	Rotary Tensioner Shim
3	2501751	1	Idler Pulley 4"
4	2900288	1	Cap Screw, Button Hd., 1/2-13 x 2"
5	2900058	2	Flat Washer, 1/2" SAE
6	2900543	1	Jam Lock Nut, 1/2-13
7	2501754	1	Knob, 1/2-13 Tapered
8	2900400	1	Cap Screw, Hex Hd., 1/2-13 x 3-3/4"
9	2900026	1	Lock Nut, 1/2-13 Nylon
10	2900587	1	Shoulder Screw, 1/2" x 1" (3/8-16)

## Transmission Jackshaft Assembly #6019106



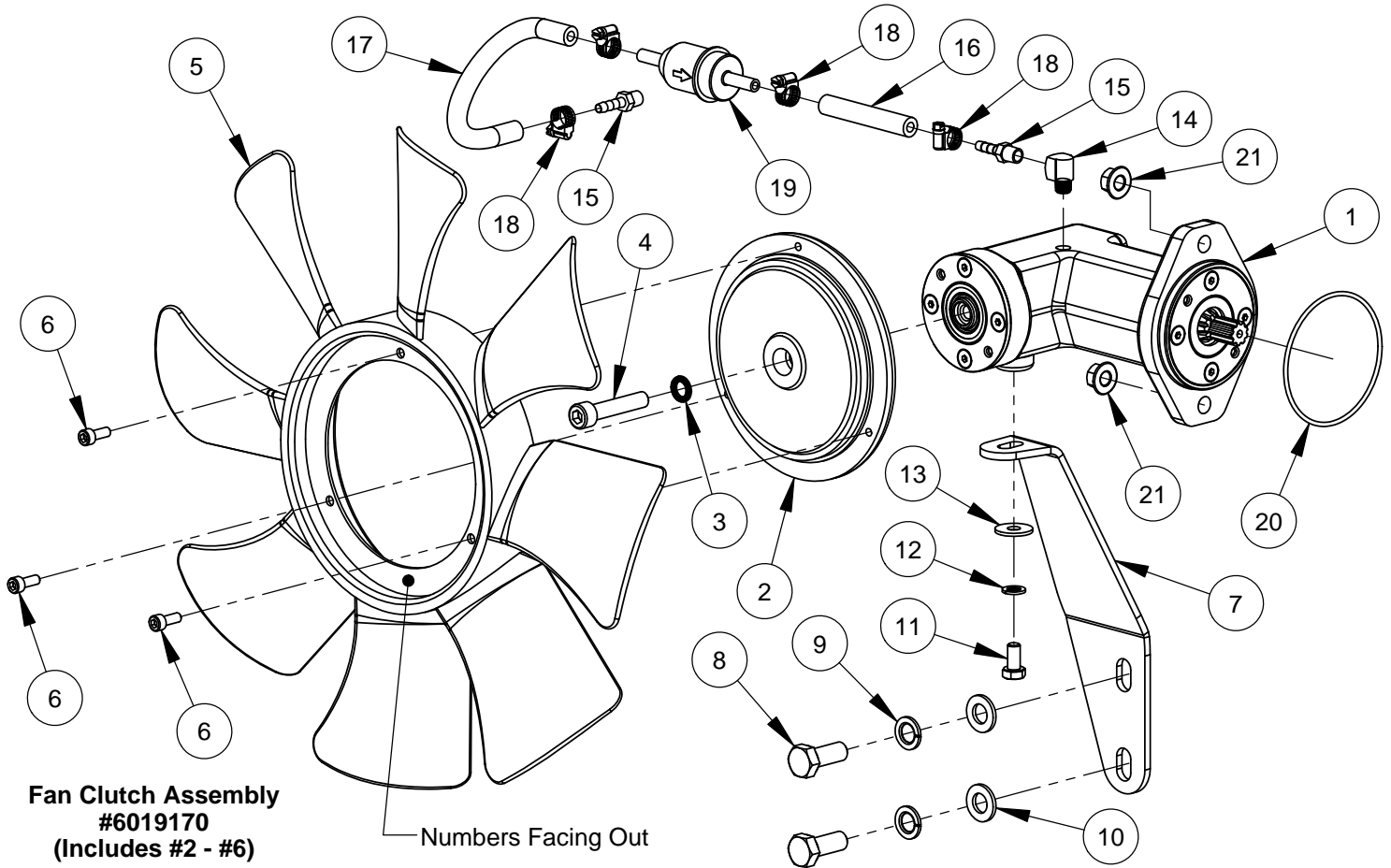
ITEM	PART NO.	QTY.	DESCRIPTION
1	6010667	1	Jackshaft Pivot Housing
2	6010666	1	Idler Jackshaft
3	2501743	5	Ball Bearing, 20mm x 42mm x 12mm
4	2501748	4	Retaining Ring, 42mm Internal
5	6048229	2	Key, 3/16" Sq. x 1-1/4"
6	2500455	1	Pulley, 4" with Setscrews
7	2503672	1	Sheave, 3.65"
8	2503845	1	QD Bushing, SH x 3/4" w/Fasteners
9	2901372	1	Shoulder Bolt, 20mm x 50mm (M16-2.0)
10	2900003	1	Flat Washer, 3/4" SAE
11	6010685	1	Bearing Spacer, 1/4"
12	2900670	1	Lock Nut, M16-2.0 Nylon Insert

## Muffler Assembly #6019018



ITEM	PART NO.	QTY.	DESCRIPTION
1	2503673	1	Exhaust Flange & Pipe
2	2503674	1	Exhaust Flange Gasket
3	2900763	6	Lock Washer, M8 Split
4	2900343	4	Hex Nut, M8-1.25
5	2700748	1	Muffler Clamp 2"
6	2504573	1	Muffler
7	2503777	1	Muffler Body Band Clamp
8	6019080	1	Muffler Support Screen
9	2900005	2	Cap Screw, Hex Hd., 3/8-16 x 1"
10	2900014	4	Flat Washer, 3/8" SAE
11	2900006	2	Lock Washer, 3/8" Split
12	2900033	2	Hex Nut, 3/8-16
13	2900329	2	Cap Screw, Hex Hd., M8-1.25 x 20mm
14	2901336	2	Flat Washer, M8

## Clutch Fan Drive Assembly #6019169B



**Fan Clutch Assembly  
#6019170  
(Includes #2 - #6)**

Numbers Facing Out

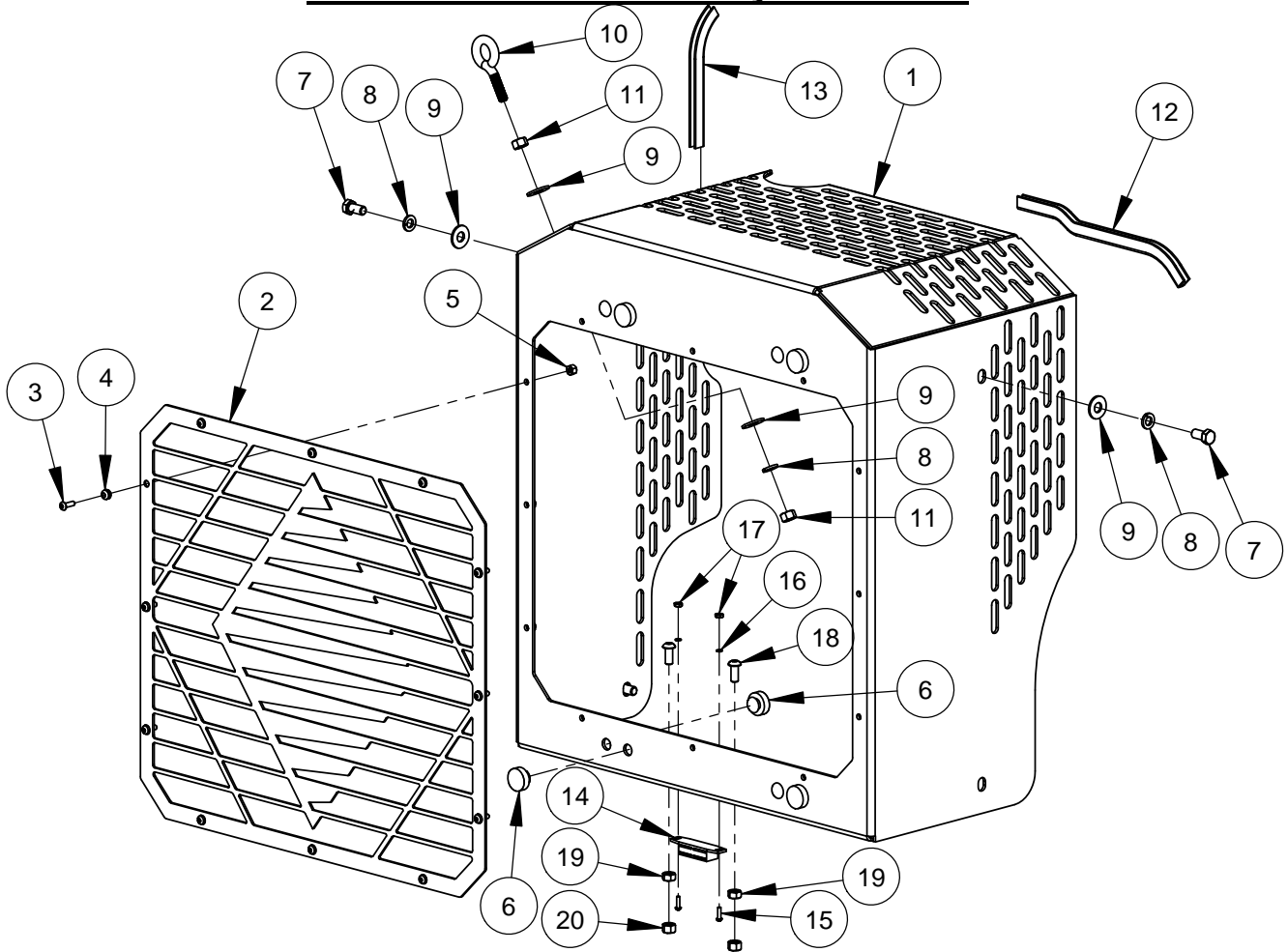
ITEM	PART NO.	QTY.	DESCRIPTION
1	6019176	1	Right Angle Drive Assembly
2	2504585	1	Fan Clutch
3	2901575	1	Wedge Lock Washer Pair, M10
4	2901506	1	Cap Screw, Soc. Hd., M10-1.5 x 50mm
5	6019143	1	Cooling Fan, 17"
6	2900553	3	Cap Screw, Soc. Hd., M6-1.0 x 16mm
7	6019038	1	Fan Drive Brace
8	2900746	2	Cap Screw, Hex Hd., M12-1.25 x 30mm
9	2900699	2	Lock Washer, M12 Split
10	2901357	2	Flat Washer, M12
11	2900868	1	Cap Screw, Hex Hd., M8-1.25 x 16mm
12	2900763	1	Lock Washer, M8 Split
13	2900383	1	Fender Washer, M8
14	3200156	1	Street Elbow, 1/8" NPT
15	3200018	2	Fitting, 1/8" M. Pipe to 1/4" Hose Barb
16	6019148	1	Hose, 1/4" I.D. x 3" Long
17	6019149	1	Hose, 1/4" I.D. x 8-1/2" Long
18	3200062	4	Hose Clamp #4
19	2501785	1	Filter, Diesel Fuel
20	2503897	1	O-Ring, AS568A-152 Viton
21	2901398	2	Hex Flange Nut, M10-1.25



## Radiator Assembly #6019008

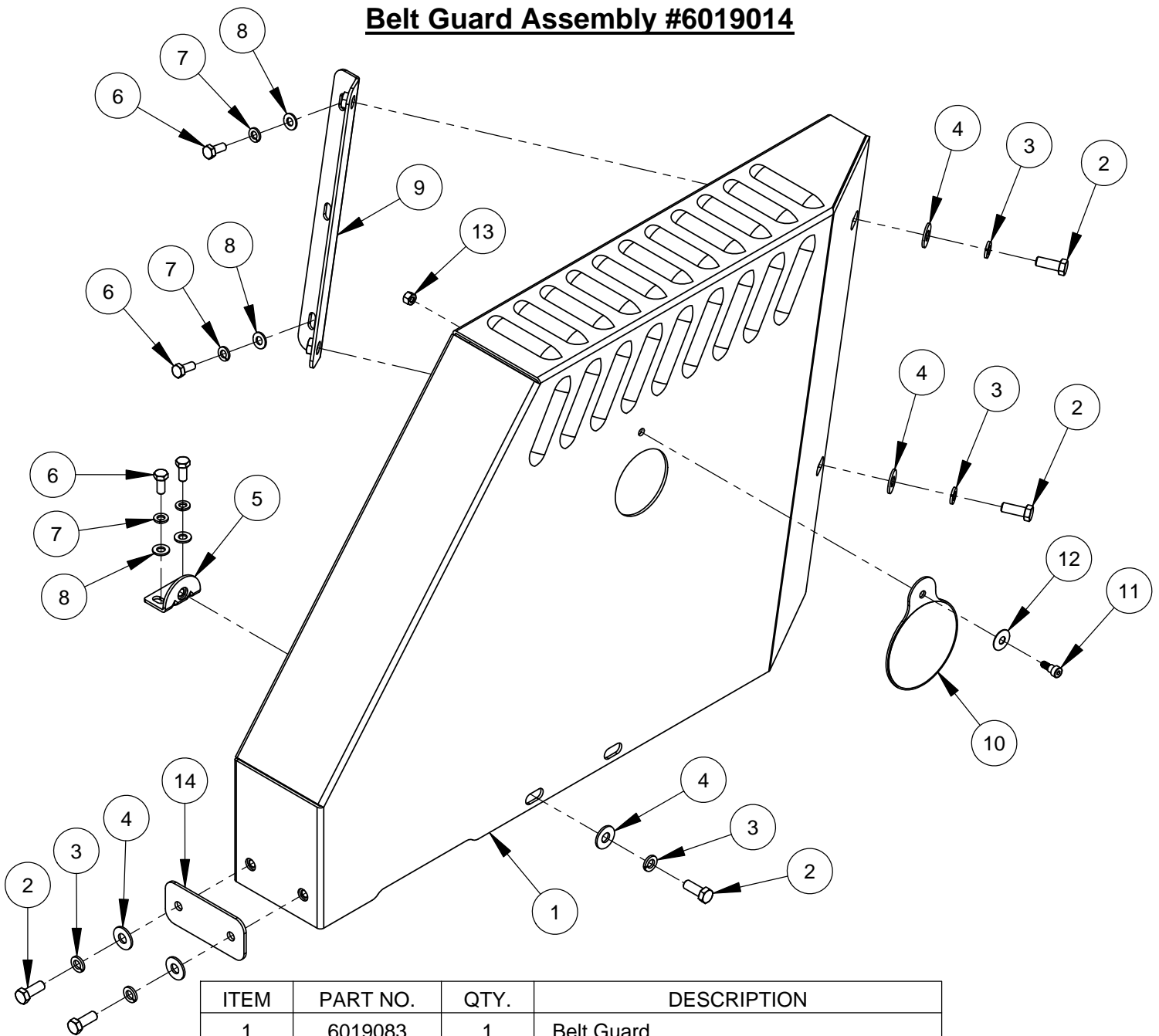
ITEM	PART NO.	QTY.	DESCRIPTION
1	2503664	1	Radiator
2	2502381	1	Radiator Cap
3	3202088	1	Radiator Hose, Upper
4	3202089	1	Radiator Hose, Lower
5	6019121	1	Hose Sleeving, 6" Long
6	3202142	4	Hose Clamp #24
7	3200035	1	Petcock, 1/4" NPT
8	2900019	11	Cap Screw, Hex Hd., 5/16-18 x 3/4"
9	2900031	11	Lock Washer, 5/16" Split
10	2900022	11	Flat Washer, 5/16" SAE
11	6019060	1	Fan Shroud
12	6019059	2	Retainer Bracket
13	6019111	1	Edge Trim Seal 16-1/4"
14	6019112	2	Edge Trim Seal 13-3/4"
15	6019113	2	Edge Trim Seal 3-1/2"
16	6019114	2	Edge Trim Seal 1-1/4"
17	2503669	4	Vibration Isolator
18	2901391	4	Cap Screw, Flat Hd., M12-1.75 x 80mm
19	2900854	6	Fender Washer, 1/2" x 2"
20	2900327	4	Lock Nut, M12-1.75 Nylon Insert

## Radiator Shroud Assembly #6019007B



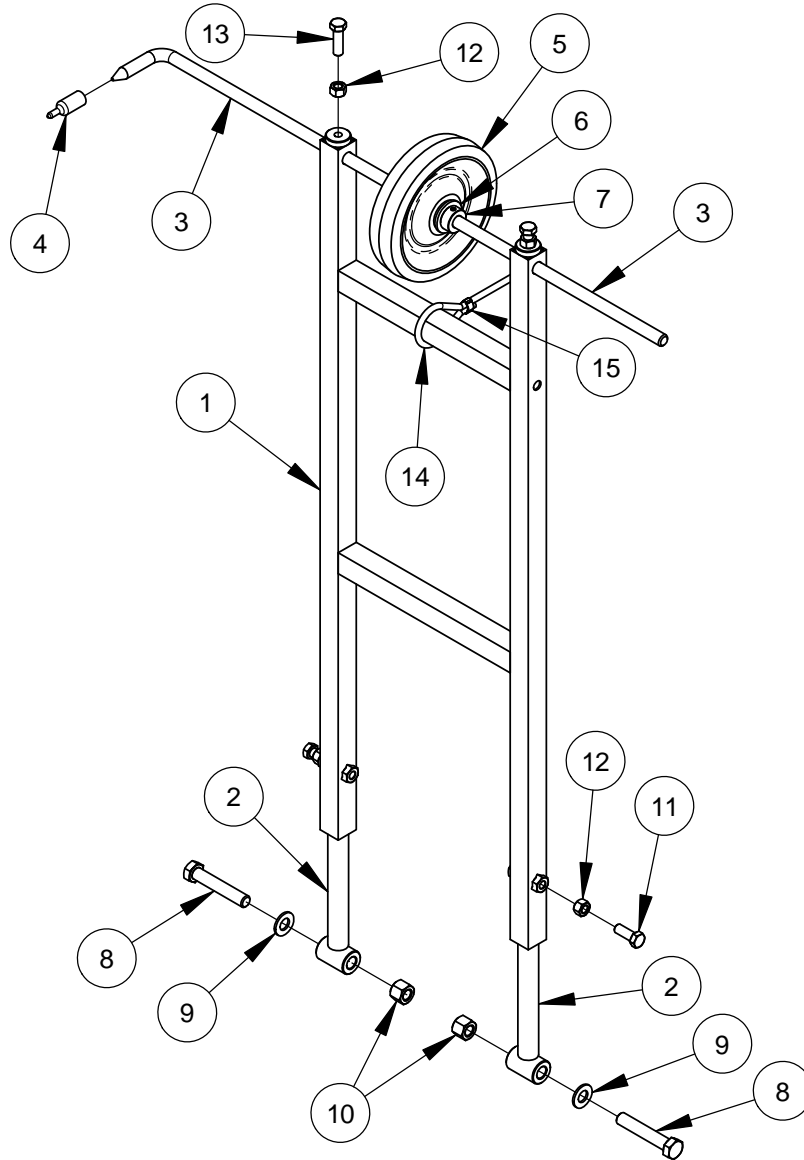
ITEM	PART NO.	QTY.	DESCRIPTION
1	6019075	1	Radiator Shroud
2	6019076	1	Logo Grille
3	2901230	12	Cap Screw, Button Hd., #10-24 x 5/8"
4	2500962	12	Grommet, 3/16" I.D.
5	2900017	12	Lock Nut, #10-24 Nylon
6	2502389	8	Button Bumper
7	2900196	3	Cap Screw, Hex Hd., 3/8-16 x 3/4"
8	2900006	4	Lock Washer, 3/8" Split
9	2900473	5	Flat Washer, 3/8" USS
10	2900892	1	Eyebolt, 3/8-16 x 1-1/2"
11	2900033	2	Hex Nut, 3/8-16
12	6019116	1	Edge Trim 10-1/2"
13	6019119	1	Edge Trim 6"
14	2504561	1	Magnetic Catch
15	2900090	2	Machine Screw, Rd. Hd., #6-32 x 1/2"
16	2900092	2	Lock Washer, #6 Split
17	2900091	2	Hex Nut, #6-32
18	2901568	2	Cap Screw, Button Hd., 5/16-18 x 3/4"
19	2900141	2	Hex Nut, 5/16-18
20	2900039	2	Lock Nut, 5/16-18 Nylon

## Belt Guard Assembly #6019014



ITEM	PART NO.	QTY.	DESCRIPTION
1	6019083	1	Belt Guard
2	2900005	5	Cap Screw, Hex Hd., 3/8-16 x 1"
3	2900006	5	Lock Washer, 3/8" Split
4	2900473	5	Flat Washer, 3/8" USS
5	6010558	1	Guard Mounting Tab, 3/8-16
6	2900019	4	Cap Screw, Hex Hd., 5/16-18 x 3/4"
7	2900031	4	Lock Washer, 5/16" Split
8	2900022	4	Flat Washer, 5/16" SAE
9	6010556	1	Belt Guard Mount Bracket
10	6010768	1	Swing Cover Plate with Label
11	2900246	1	Shoulder Screw, 5/16" x 1/4" (1/4-20)
12	2900252	1	Belleville Washer, 5/16"
13	2900010	1	Lock Nut, 1/4-20 Nylon
14	6019147	1	Belt Guard Shim

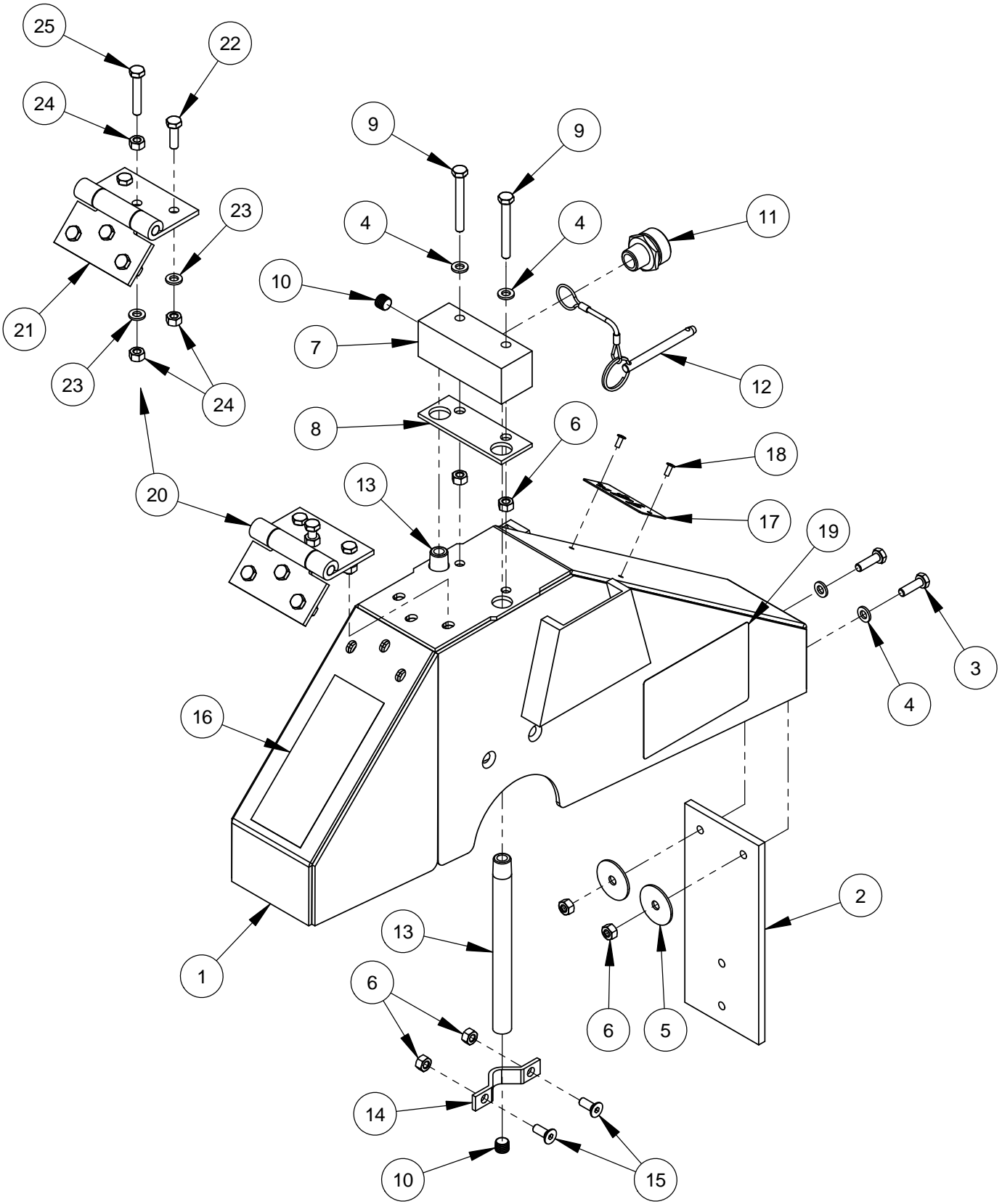
## Front Pointer Assembly #6010540



ITEM	PART NO.	QTY.	DESCRIPTION
1	6010541	1	Front Pointer Frame
2	6011152	2	Front Pointer Arm
3	6013025	1	Front Pointer Rod
4	2500740	1	Pointer Cap
5	2501409	1	Wheel, 6"
6	2900127	2	Flat Washer, 1/2" USS
7	2500007	2	Set Collar, 1/2" with Set Screw
8	2900105	2	Cap Screw, Hex Hd., 1/2-13 x 2-3/4"
9	2900239	2	Friction Washer, 1/2"
10	2900026	2	Lock Nut, 1/2-13 Nylon
11	2900005	2	Cap Screw, Hex Hd., 3/8-16 x 1"
12	2900033	4	Hex Nut, 3/8-16
13	2900013	2	Cap Screw, Hex Hd., 3/8-16 x 1-1/4"
14	6017241	1	Pointer Rope 11 Foot
15	3200221	2	Pinch Clamp, Two Ear

(BLANK)

# 14" Blade Guard Assembly #6010950

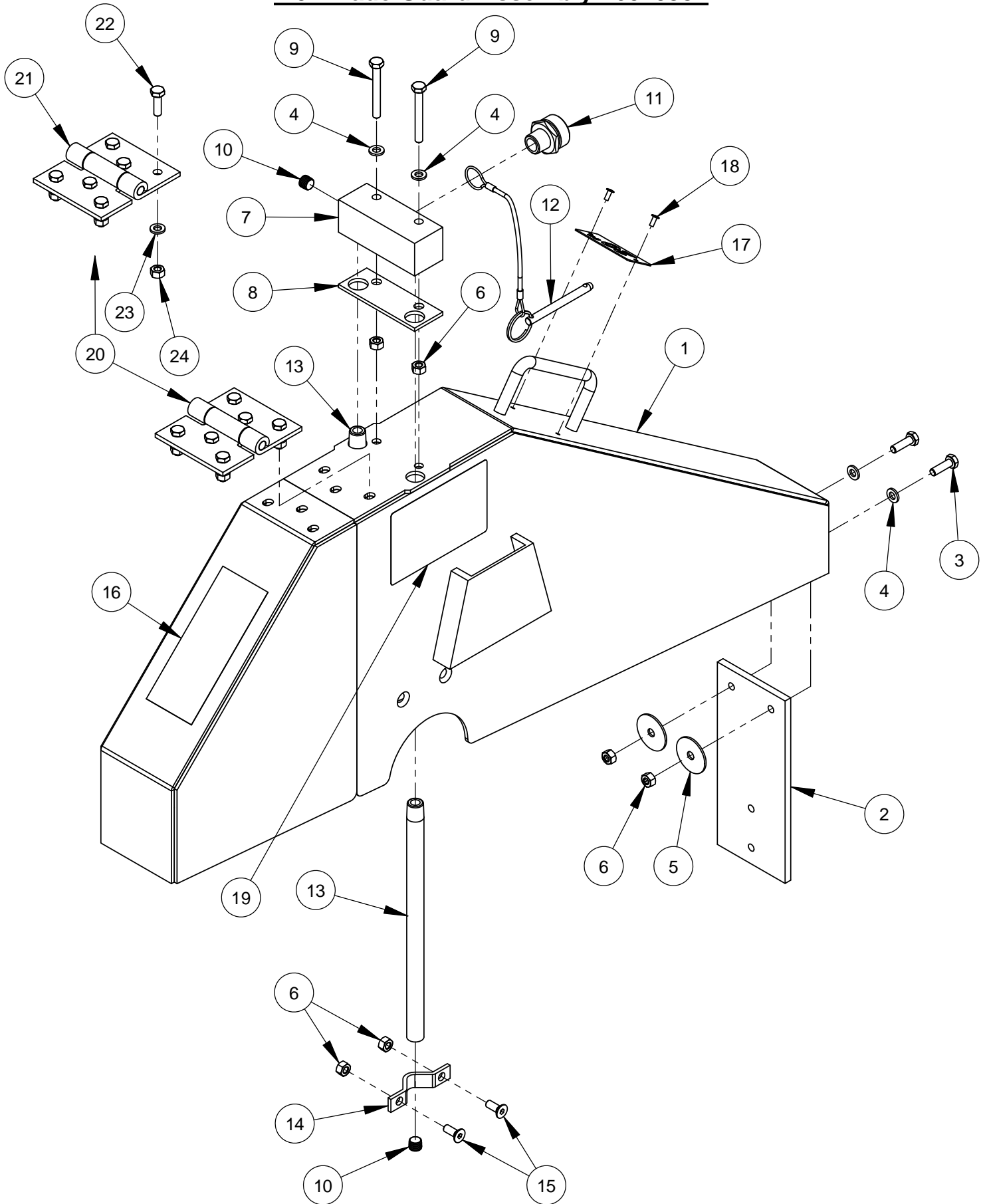


## 14" Blade Guard Assembly #6010950

ITEM	PART NO.	QTY.	DESCRIPTION
1	6010601	1	14" Blade Guard Front & Rear Only
2	6010081	1	Splash Flap
3	2900310	2	Cap Screw, Hex Hd., M6-1.0 x 20mm
4	2901494	4	Flat Washer, M6
5	2900083	2	Fender Washer, 1/4" x 1-1/4"
6	2900302	8	Lock Nut, M6-1.0 Nylon Insert
7	6010261	1	Water Manifold
8	2500830	1	Water Manifold Gasket
9	2901355	2	Cap Screw, Hex Hd., M6-1.0 x 50mm
10	3200001	3	Plug, 1/8" NPT
11	3200002	1	Fitting, 3/8" M. Pipe to 3/4" M. Garden
12	2900278	1	Lanyard with Lock Pin
13	6048283	2	Water Tube for 14" Guard
14	6048155	2	Water Tube Clamp
15	2900308	4	Cap Screw, Flat Hd., M6-1.0 x 16mm
16	1800001	1	Warning Label
17	1801369A	1	Blade Guard Size Tag
18	2900287	2	Rivet, 1/8" Dia.
19	1802090	2	Label, Wedge Locking Washer
20	6048026	1	Hinge Assembly

ITEM	PART NO.	QTY.	DESCRIPTION
21	2500270	1	Blade Guard Hinge
22	2900310	5	Cap Screw, Hex Hd., M6-1.0 x 20mm
23	2901494	6	Flat Washer, M6
24	2900302	7	Lock Nut, M6-1.0 Nylon Insert
25	2900312	1	Cap Screw, Hex Hd., M6-1.0 x 35mm

# 20" Blade Guard Assembly #6010952

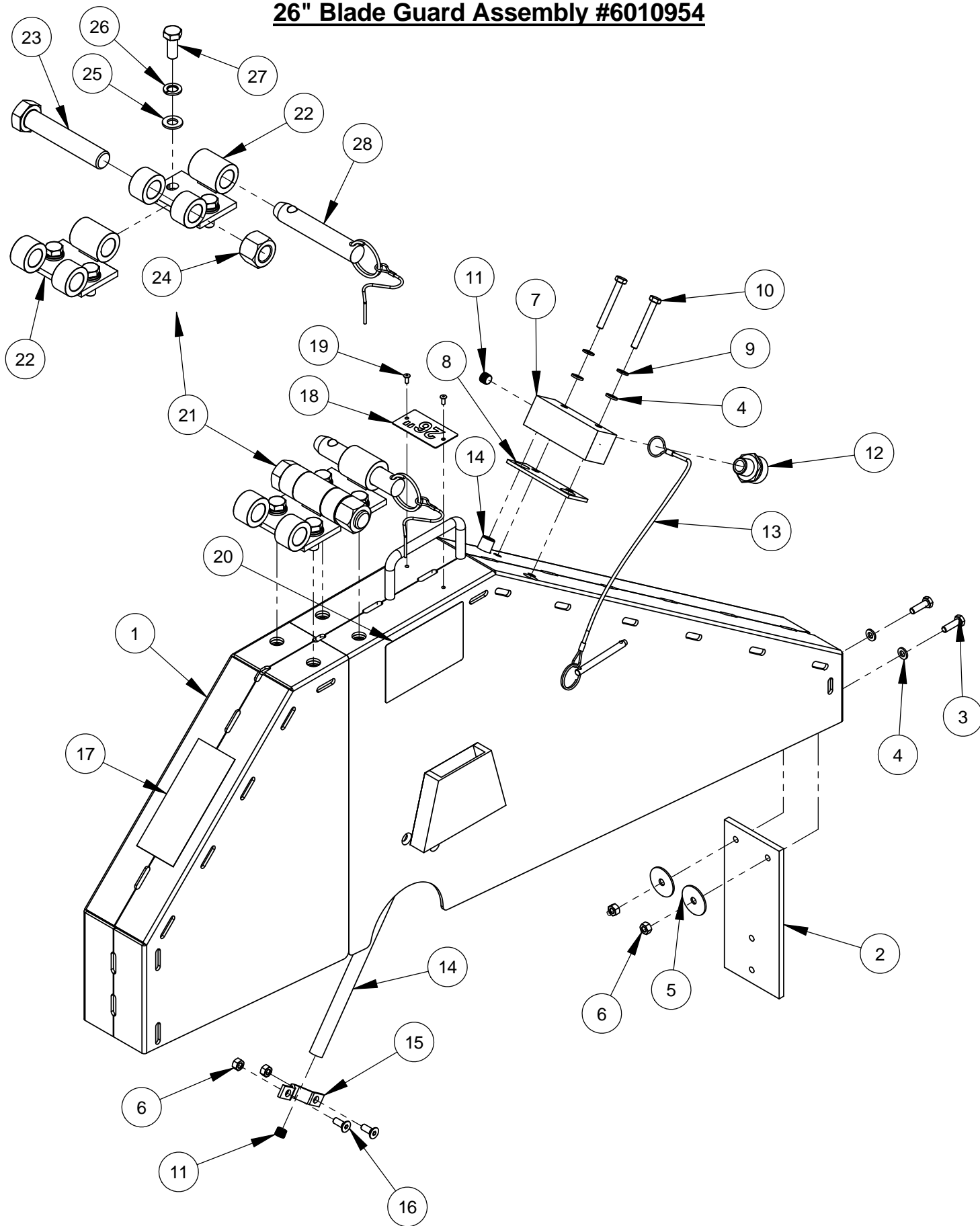


## 20" Blade Guard Assembly #6010952

ITEM	PART NO.	QTY.	DESCRIPTION
1	6010603	1	20" Blade Guard Front & Rear Only
2	6010081	1	Splash Flap
3	2900310	2	Cap Screw, Hex Hd., M6-1.0 x 20mm
4	2901494	4	Flat Washer, M6
5	2900083	2	Fender Washer, 1/4" x 1-1/4"
6	2900302	8	Lock Nut, M6-1.0 Nylon Insert
7	6010261	1	Water Manifold
8	2500830	1	Water Manifold Gasket
9	2901355	2	Cap Screw, Hex Hd., M6-1.0 x 50mm
10	3200001	3	Plug, 1/8" NPT
11	3200002	1	Fitting, 3/8" M. Pipe to 3/4" M. Garden
12	2900278	1	Lanyard with Lock Pin
13	6010085	2	Water Tube for 20" Guard
14	6048155	2	Water Tube Clamp
15	2900308	4	Cap Screw, Flat Hd., M6-1.0 x 16mm
16	1800001	1	Warning Label
17	1801369D	1	Blade Guard Size Tag
18	2900287	2	Rivet, 1/8" Dia.
19	1802090	2	Label, Wedge Locking Washer
20	6048027	1	Hinge Assembly

ITEM	PART NO.	QTY.	DESCRIPTION
21	2500270	1	Blade Guard Hinge
22	2900310	6	Cap Screw, Hex Hd., M6-1.0 x 20mm
23	2901494	6	Flat Washer, M6
24	2900302	6	Lock Nut, M6-1.0 Nylon Insert

# 26" Blade Guard Assembly #6010954

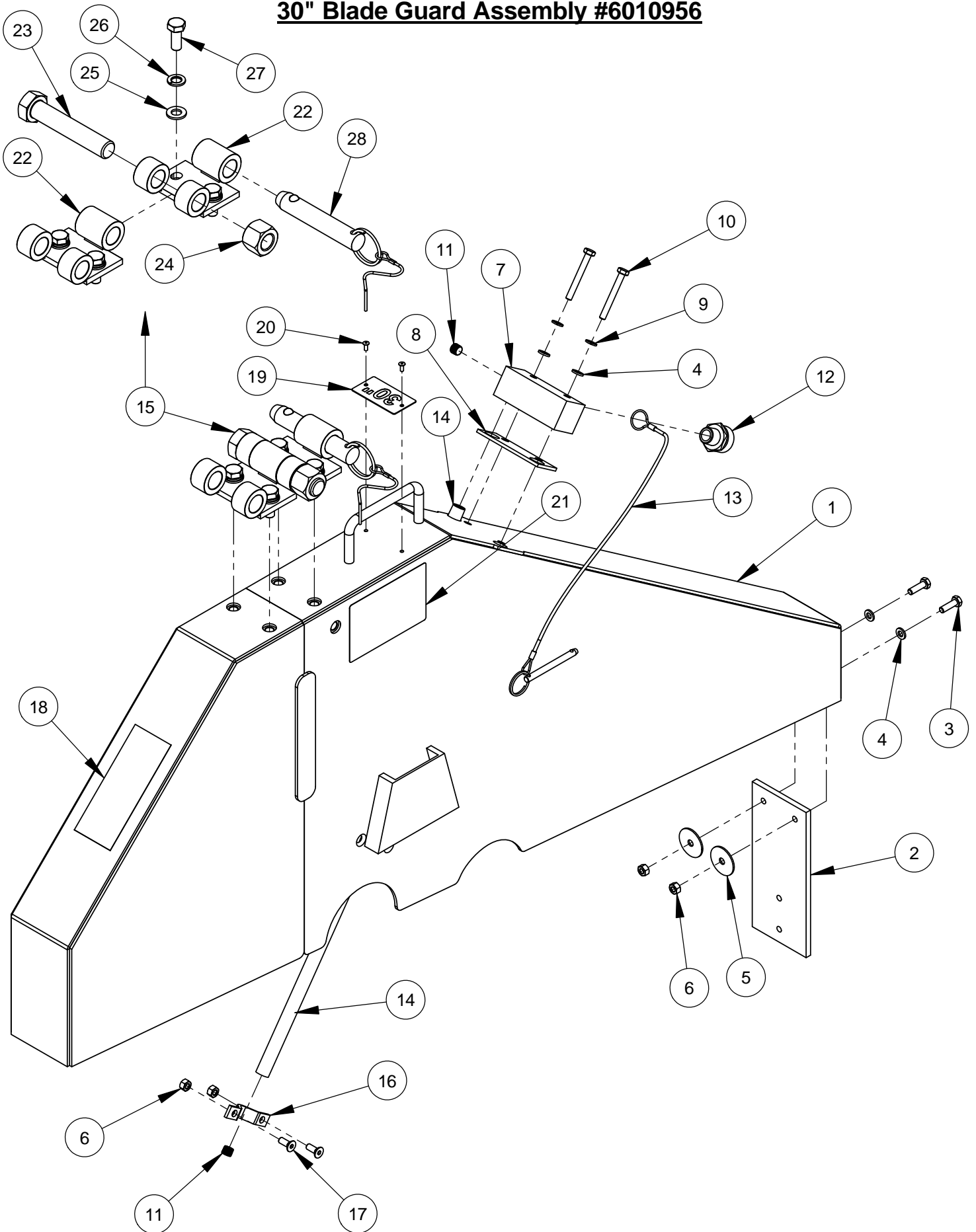


## 26" Blade Guard Assembly #6010954

ITEM	PART NO.	QTY.	DESCRIPTION
1	6010955	1	26" Blade Guard Front & Rear Only
2	6010081	1	Splash Flap
3	2900310	2	Cap Screw, Hex Hd., M6-1.0 x 20mm
4	2901494	4	Flat Washer, M6
5	2900083	2	Fender Washer, 1/4" x 1-1/4"
6	2900302	6	Lock Nut, M6-1.0 Nylon Insert
7	6010261	1	Water Manifold
8	2500830	1	Water Manifold Gasket
9	2900765	2	Lock Washer, M6 Split
10	2901355	2	Cap Screw, Hex Hd., M6-1.0 x 50mm
11	3200001	3	Plug, 1/8" NPT
12	3200002	1	Fitting, 3/8" M. Pipe to 3/4" M. Garden
13	2900279	1	Lanyard with Lock Pin
14	6010086	2	Water Tube for 26" Guard
15	6048155	2	Water Tube Clamp
16	2900308	4	Cap Screw, Flat Hd., M6-1.0 x 16mm
17	1800001	1	Warning Label
18	1801369F	1	Blade Guard Size Tag
19	2900287	2	Rivet, 1/8" Dia.
20	1802090	2	Label, Wedge Locking Washer
21	6010873	1	Universal Hinge Assembly

ITEM	PART NO.	QTY	DESCRIPTION
22	6010871	2	Hinge Weldment, Universal
23	2900479	1	Cap Screw, Hex Hd., 3/4-10 x 4"
24	2900467	1	Lock Nut, 3/4-10 Nylon
25	2901356	4	Flat Washer, M10
26	2900321	4	Lock Washer, M10 Split
27	2900333	4	Cap Screw, Hex Hd., M10-1.5 x 25mm
28	2503824	1	Detent Pin, 3/4" x 3" Grip

# 30" Blade Guard Assembly #6010956



## 30" Blade Guard Assembly #6010956

ITEM	PART NO.	QTY.	DESCRIPTION
1	6010957	1	30" Blade Guard Front & Rear Only
2	6010081	1	Splash Flap
3	2900310	2	Cap Screw, Hex Hd., M6-1.0 x 20mm
4	2901494	4	Flat Washer, M6
5	2900083	2	Fender Washer, 1/4" x 1-1/4"
6	2900302	6	Lock Nut, M6-1.0 Nylon Insert
7	6010261	1	Water Manifold
8	2500830	1	Water Manifold Gasket
9	2900765	2	Lock Washer, M6 Split
10	2901355	2	Cap Screw, Hex Hd., M6-1.0 x 50mm
11	3200001	3	Plug, 1/8" NPT
12	3200002	1	Fitting, 3/8" M. Pipe to 3/4" M. Garden
13	2900279	1	Lanyard with Lock Pin
14	6010087	2	Water Tube for 30" Guard
15	6010873	1	Universal Hinge Assembly
16	6048155	2	Water Tube Clamp
17	2900308	4	Cap Screw, Flat Hd., M6-1.0 x 16mm
18	1800001	1	Warning Label
19	1801369G	1	Blade Guard Size Tag
20	2900287	2	Rivet, 1/8" Dia.
21	1802090	2	Label, Wedge Locking Washer

ITEM	PART NO.	QTY	DESCRIPTION
22	6010871	2	Hinge Weldment, Universal
23	2900479	1	Cap Screw, Hex Hd., 3/4-10 x 4"
24	2900467	1	Lock Nut, 3/4-10 Nylon
25	2901356	4	Flat Washer, M10
26	2900321	4	Lock Washer, M10 Split
27	2900333	4	Cap Screw, Hex Hd., M10-1.5 x 25mm
28	2503824	1	Detent Pin, 3/4" x 3" Grip

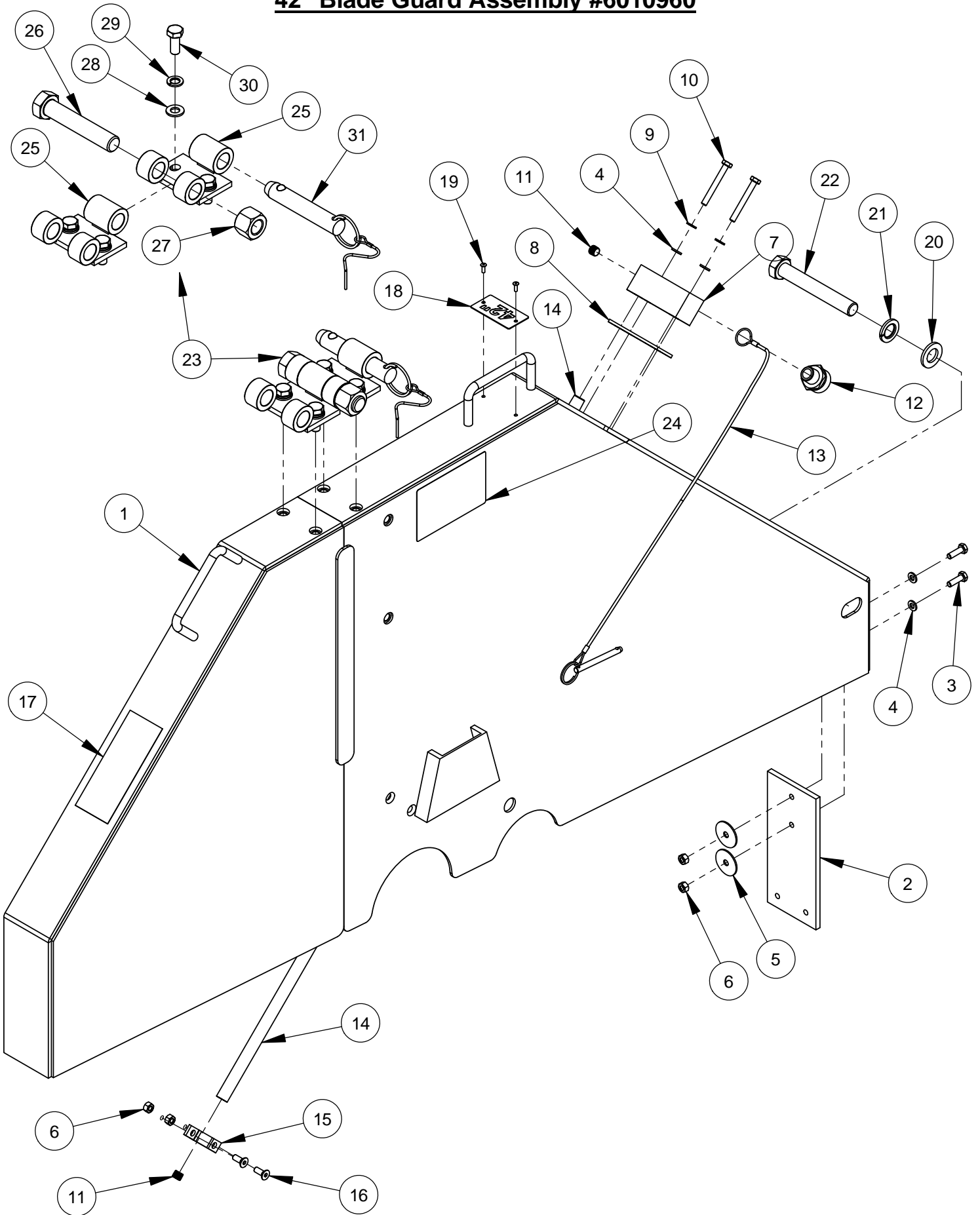


## 36" Blade Guard Assembly #6010958

ITEM	PART NO.	QTY.	DESCRIPTION
1	6010959	1	36" Blade Guard Front & Rear Only
2	6010081	1	Splash Flap
3	2900310	2	Cap Screw, Hex Hd., M6-1.0 x 20mm
4	2901494	4	Flat Washer, M6
5	2900083	2	Fender Washer, 1/4" x 1-1/4"
6	2900302	6	Lock Nut, M6-1.0 Nylon Insert
7	6010261	1	Water Manifold
8	2500830	1	Water Manifold Gasket
9	2900765	2	Lock Washer, M6 Split
10	2901355	2	Cap Screw, Hex Hd., M6-1.0 x 50mm
11	3200001	3	Plug, 1/8" NPT
12	3200002	1	Fitting, 3/8" M. Pipe to 3/4" M. Garden
13	2900280	1	Lanyard with Lock Pin
14	6010088	2	Water Tube for 36" Guard
15	6048155	2	Water Tube Clamp
16	2900308	4	Cap Screw, Flat Hd., M6-1.0 x 16mm
17	1800001	1	Warning Label
18	1801369H	1	Blade Guard Size Tag
19	2900639	2	Rivet, 1/8" Dia.
20	2901358	1	Flat Washer, M16
21	2900716	1	Lock Washer, M16 Split
22	2901349	1	Cap Screw, Hex Hd., M16-2.0 x 110mm
23	6010873	1	Universal Hinge Assembly
24	1802090	2	Label, Wedge Locking Washer

ITEM	PART NO.	QTY	DESCRIPTION
25	6010871	2	Hinge Weldment, Universal
26	2900479	1	Cap Screw, Hex Hd., 3/4-10 x 4"
27	2900467	1	Lock Nut, 3/4-10 Nylon
28	2901356	4	Flat Washer, M10
29	2900321	4	Lock Washer, M10 Split
30	2900333	4	Cap Screw, Hex Hd., M10-1.5 x 25mm
31	2503824	1	Detent Pin, 3/4" x 3" Grip

# 42" Blade Guard Assembly #6010960

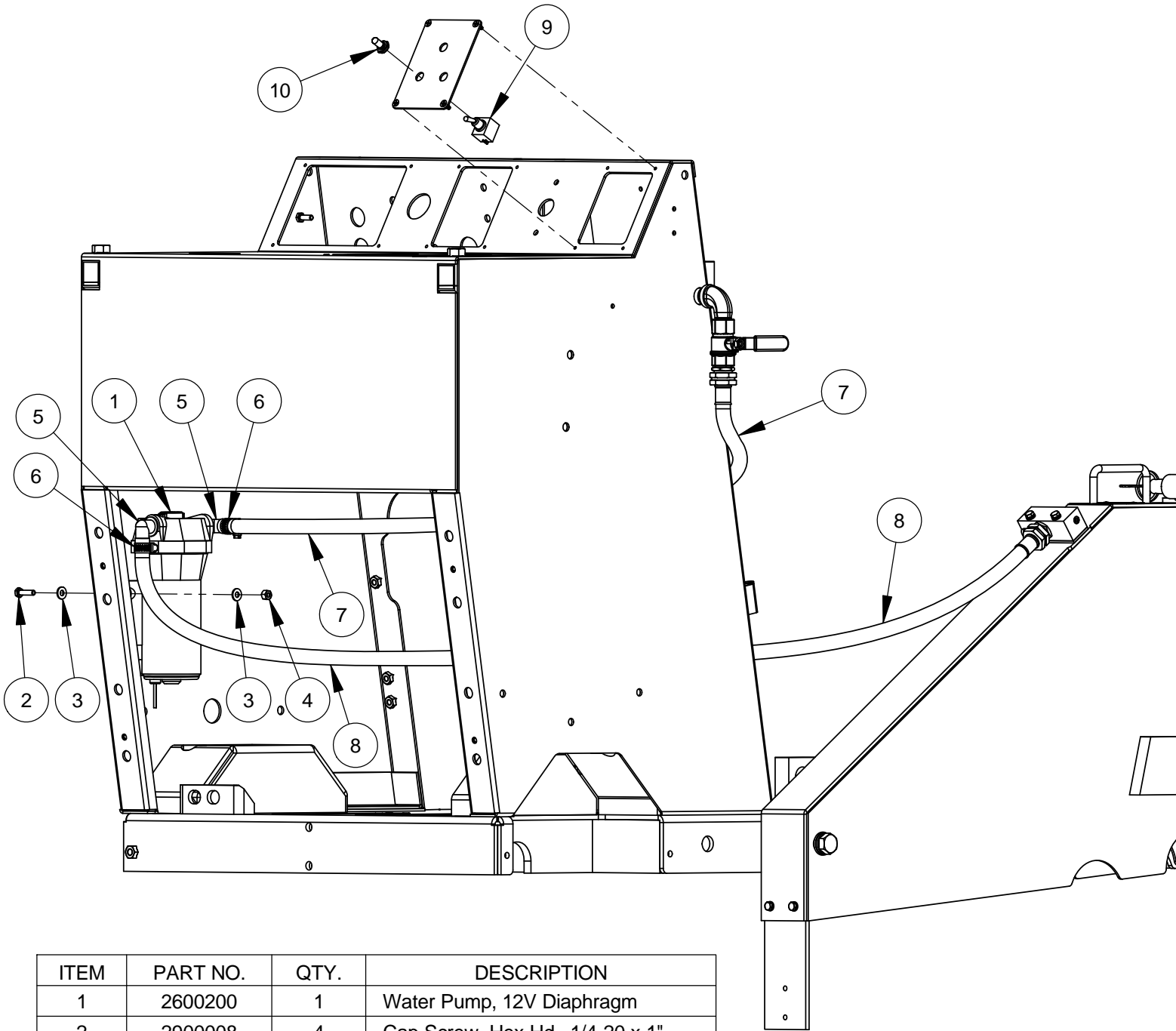


## 42" Blade Guard Assembly #6010960

ITEM	PART NO.	QTY	DESCRIPTION
1	6010961	1	42" Blade Guard Front & Rear Only
2	6010081	1	Splash Flap
3	2900310	2	Cap Screw, Hex Hd., M6-1.0 x 20mm
4	2901494	4	Flat Washer, M6
5	2900083	2	Fender Washer, 1/4" x 1-1/4"
6	2900302	6	Lock Nut, M6-1.0 Nylon Insert
7	6048123	1	Water Manifold
8	2500829	1	Water Manifold Gasket
9	2900765	2	Lock Washer, M6 Split
10	2901355	2	Cap Screw, Hex Hd., M6-1.0 x 50mm
11	3200001	3	Plug, 1/8" NPT
12	3200002	1	Fitting, 3/8" M. Pipe to 3/4" M. Garden
13	2900280	1	Lanyard with Lock Pin
14	6010114	2	Water Tube for 42" Guard
15	6048155	2	Water Tube Clamp
16	2900308	4	Cap Screw, Flat Hd., M6-1.0 x 16mm
17	1800001	1	Warning Label
18	1801369I	1	Blade Guard Size Tag
19	2900639	2	Rivet, 1/8" Dia.
20	2901358	1	Flat Washer, M16
21	2900716	1	Lock Washer, M16 Split
22	2901349	1	Cap Screw, Hex Hd., M16-2.0 x 110mm
23	6010873	1	Universal Hinge Assembly
24	1802090	2	Label, Wedge Locking Washer

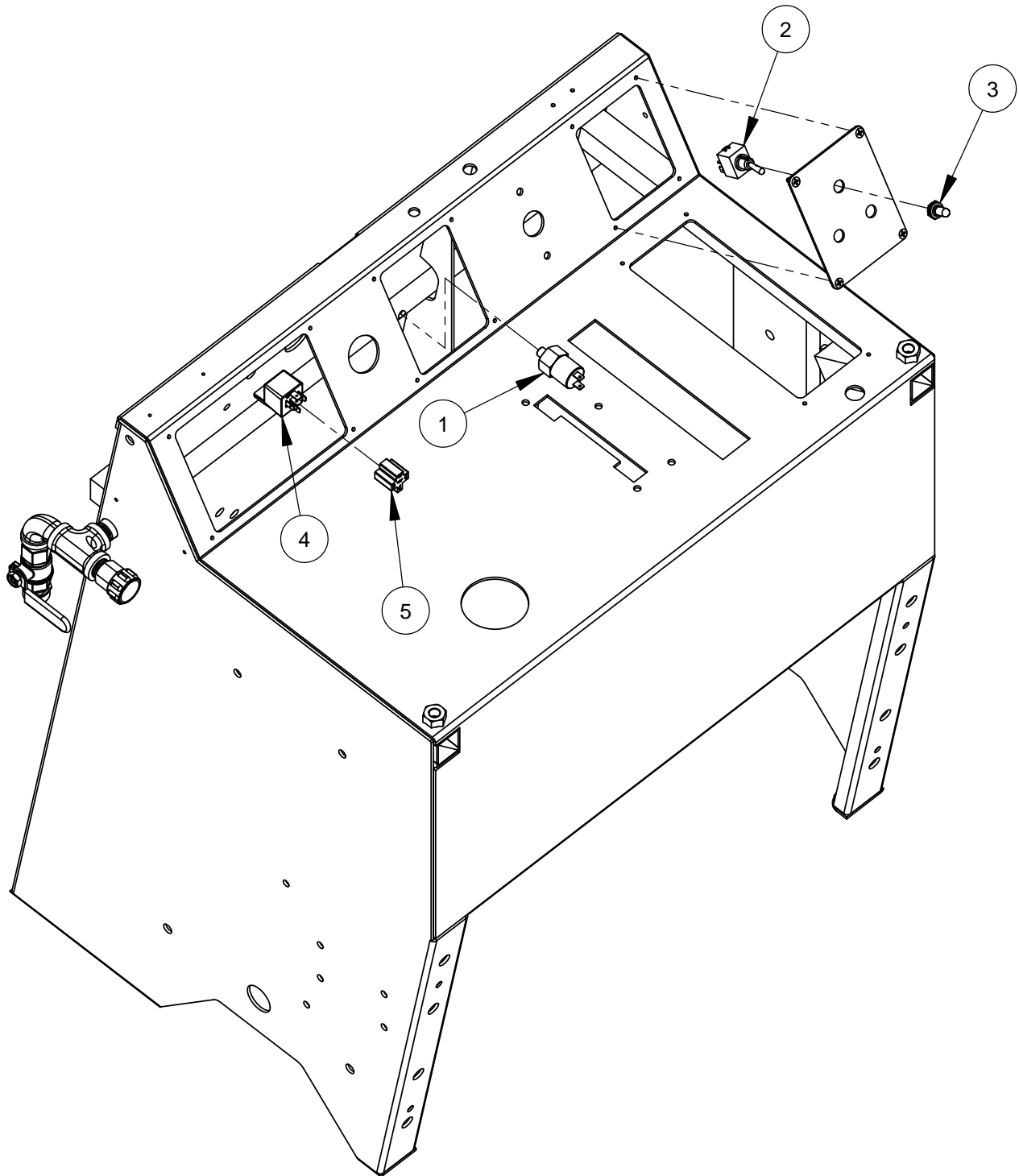
ITEM	PART NO.	QTY	DESCRIPTION
25	6010871	2	Hinge Weldment, Universal
26	2900479	1	Cap Screw, Hex Hd., 3/4-10 x 4"
27	2900467	1	Lock Nut, 3/4-10 Nylon
28	2901356	4	Flat Washer, M10
29	2900321	4	Lock Washer, M10 Split
30	2900333	4	Cap Screw, Hex Hd., M10-1.5 x 25mm
31	2503824	1	Detent Pin, 3/4" x 3" Grip

## Optional Water Pump Assembly #6011032



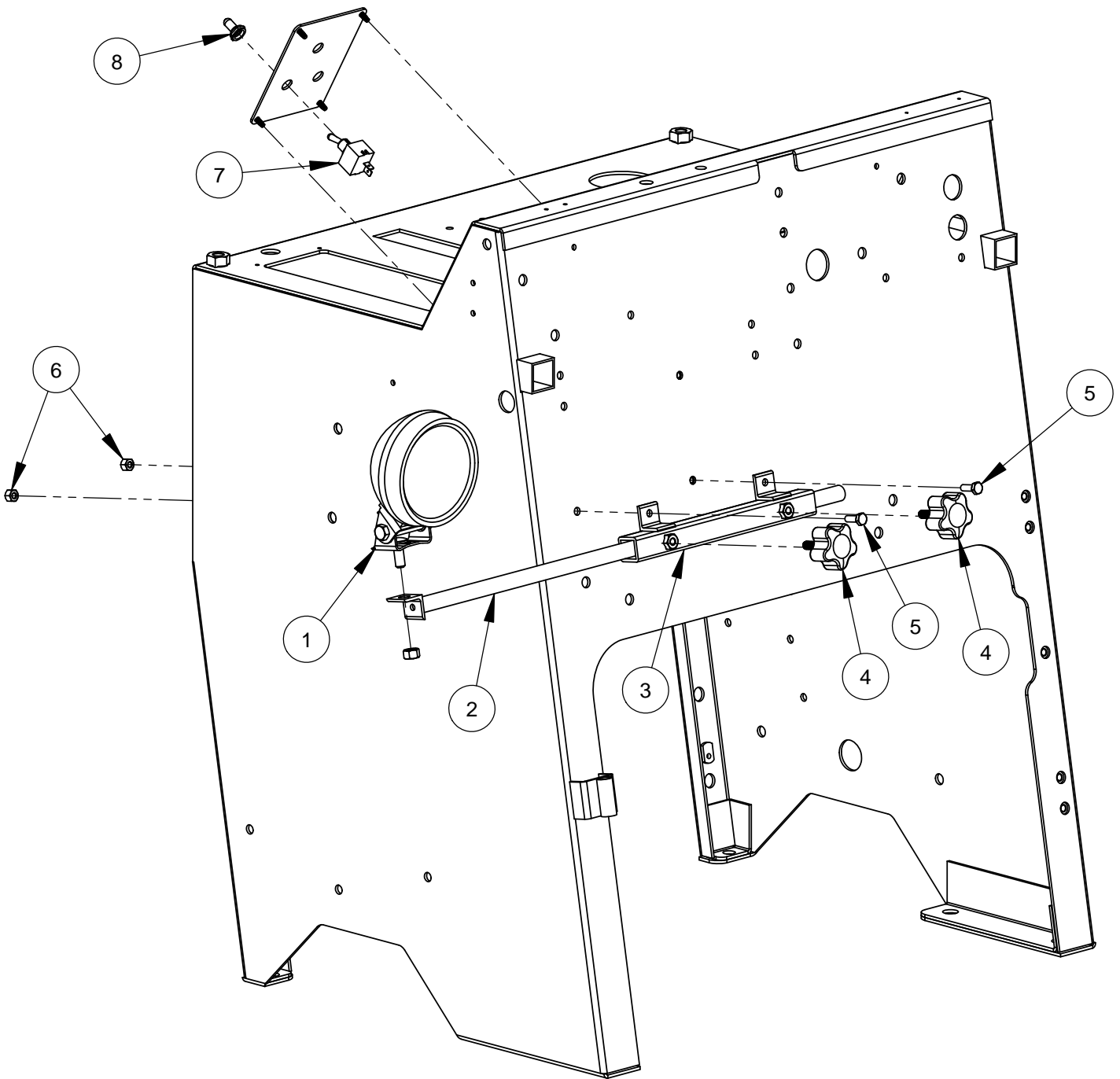
ITEM	PART NO.	QTY.	DESCRIPTION
1	2600200	1	Water Pump, 12V Diaphragm
2	2900008	4	Cap Screw, Hex Hd., 1/4-20 x 1"
3	2900009	8	Flat Washer, 1/4" SAE
4	2900010	4	Lock Nut, 1/4-20 Nylon
5	2701694	2	Port Fitting, 1/2" Barb x 90 Degree
6	3200016	2	Hose Clamp #8
7	6010302	1	Water Hose Assembly 48"
8	6010303	1	Water Hose Assembly 60"
9	2800062	1	Toggle Switch On/Off
10	2800063	1	Toggle Switch Boot

## Optional Water Safety Switch Assembly #6010522



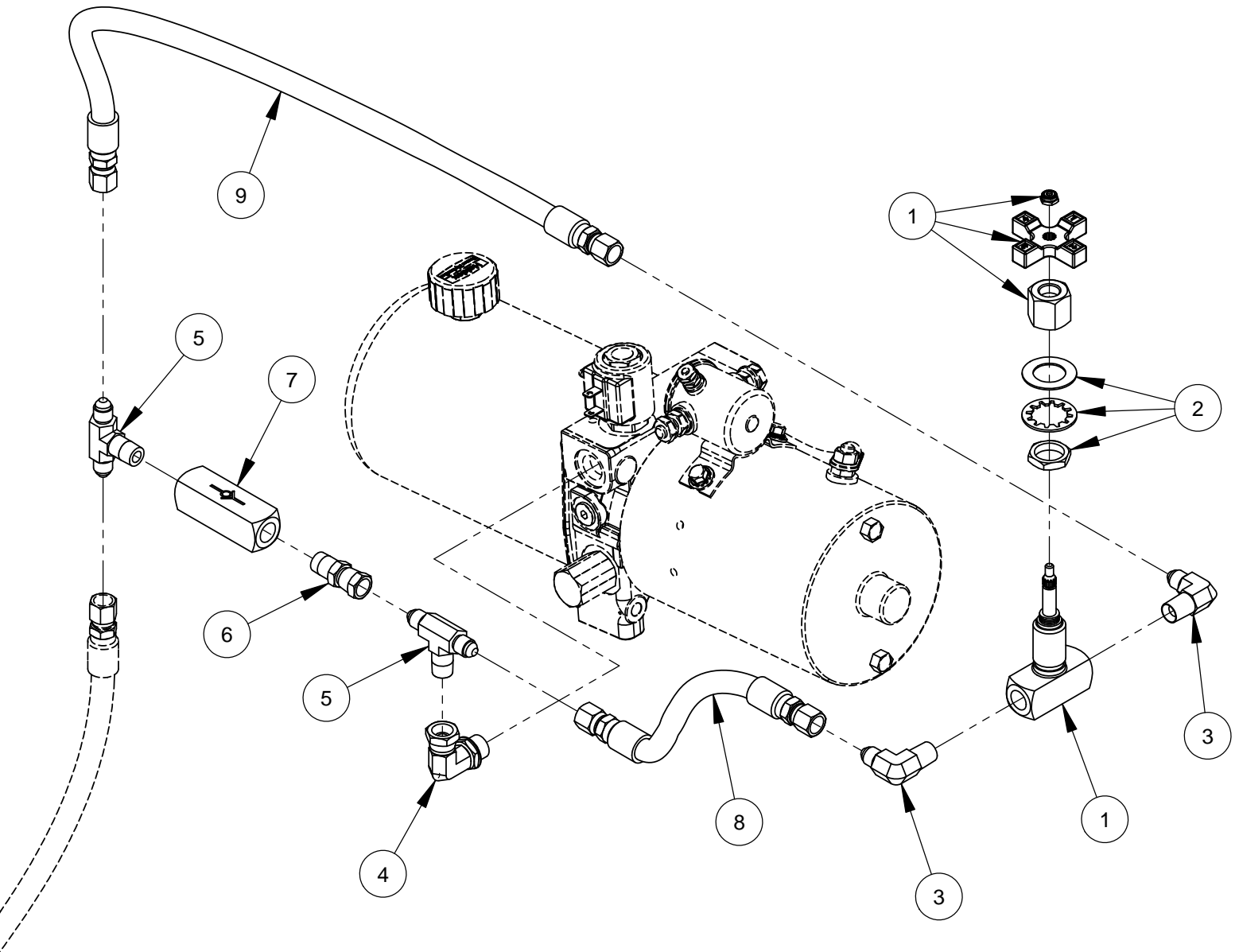
ITEM	PART NO.	QTY.	DESCRIPTION
1	2800060	1	Water Pressure Safety Switch
2	2800062	1	Toggle Switch On/Off
3	2800063	1	Toggle Switch Boot
4	2800144	1	Relay, 50 Amp, 12V, SPDT
5	2800263	1	Relay Connector (5 Wire)

## Optional Spot Light Assembly #6010112



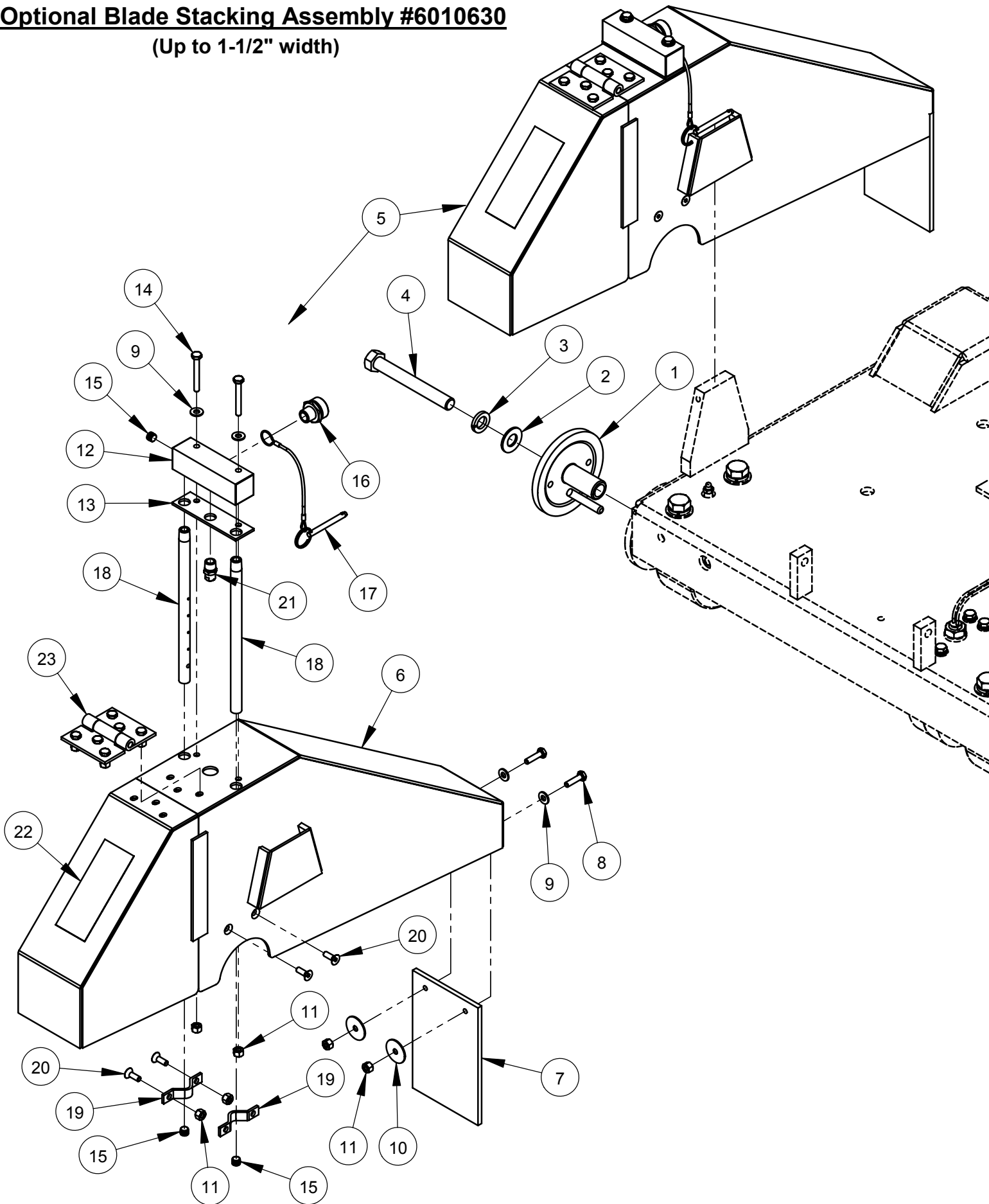
ITEM	PART NO.	QTY.	DESCRIPTION
1	2500194	1	Spot Light, 12 Volt
2	6010106	1	Light Bar
3	6010107	1	Light Bar Mount Bracket
4	2400157	2	Hand Lock Knob, 5/16-18 x 1"
5	2900144	2	Cap Screw, Hex Hd., 1/4-20 x 3/4"
6	2900010	2	Lock Nut, 1/4-20 Nylon
7	2800062	1	Toggle Switch On/Off
8	2800063	1	Toggle Switch Boot

## Optional Lowering Speed Metering Valve Assembly #6010227



ITEM	PART NO.	QTY.	DESCRIPTION
1	3200211	1	Valve, 1/4" Metering
2	3200212	1	Panel Mounting Kit
3	3200057	2	Elbow, 1/4" M. Pipe to 1/4" M. JIC
4	3200115	1	Elbow, 3/8" O-Ring to 1/4" F. Pipe
5	3200213	2	Tee, 1/4" M. JIC to 1/4" M. Pipe
6	3200219	1	Adapter, 1/4" M. Pipe to 1/4" F. JIC
7	3200218	1	Check Valve
8	6010247	1	Hose Assembly, 8" Long
9	6010248	1	Hose Assembly, 20" Long

**Optional Blade Stacking Assembly #6010630**  
(Up to 1-1/2" width)

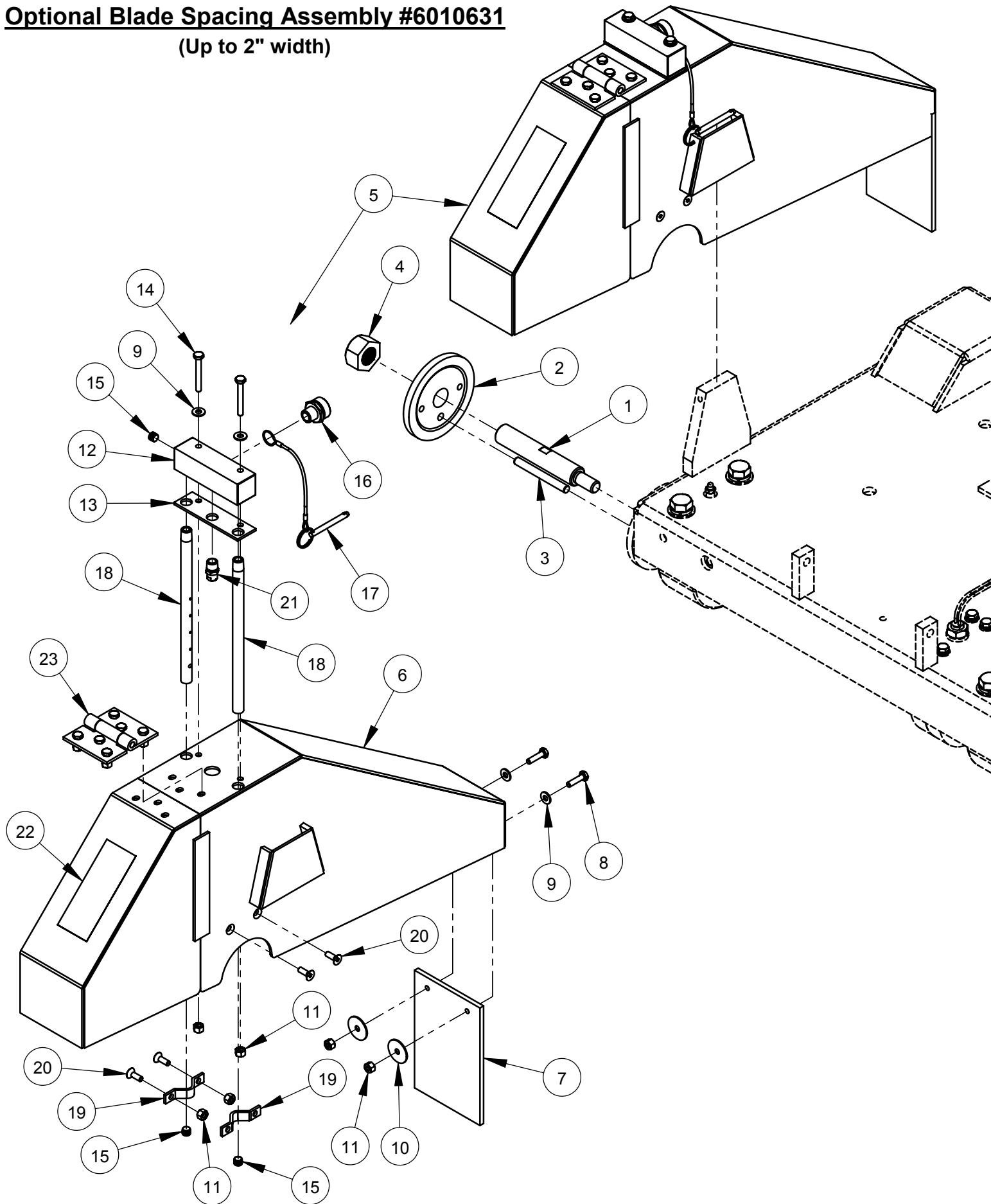


**Optional Blade Stacking Assembly #6010630**  
**(Up to 1-1/2" width)**

ITEM	PART NO.	QTY.	DESCRIPTION
1	6010159	1	Outer Flange 4-1/2" with Pin
2	2900002	1	Flat Washer, 5/8" SAE
3	2900113	1	Lock Washer, 5/8" Split
4	2900210	1	Cap Screw, Hex Hd., 5/8"-11 x 5" LH
5	6010620	1	20" Wide Blade Guard Assembly

ITEM	PART NO.	QTY.	DESCRIPTION
6	6010621	1	20" Wide Blade Guard Front & Rear Only
7	6010296	1	Splash Flap
8	2900008	2	Cap Screw, Hex Hd., 1/4-20 x 1"
9	2900009	4	Flat Washer, 1/4" SAE
10	2900083	2	Fender Washer, 1/4" x 1-1/4"
11	2900010	8	Lock Nut, 1/4-20 Nylon
12	6010288	1	Water Manifold
13	2500988	1	Water Manifold Gasket
14	2900294	2	Cap Screw, Hex Hd., 1/4-20 x 2"
15	3200001	3	Plug, 1/8" NPT
16	3200002	1	Fitting, 3/8" M. Pipe to 3/4" M. Garden
17	2900278	1	Lanyard with Lock Pin
18	6010085	2	Water Tube for 20" Guard
19	6048155	2	Water Tube Clamp
20	2900020	4	Cap Screw, Flat Hd., 1/4-20 x 3/4"
21	3200208	1	Nozzle, 1/4" NPT
22	1800001	1	Warning Label
23	6010251	1	Hinge Assembly for 20" Guard

**Optional Blade Spacing Assembly #6010631**  
(Up to 2" width)

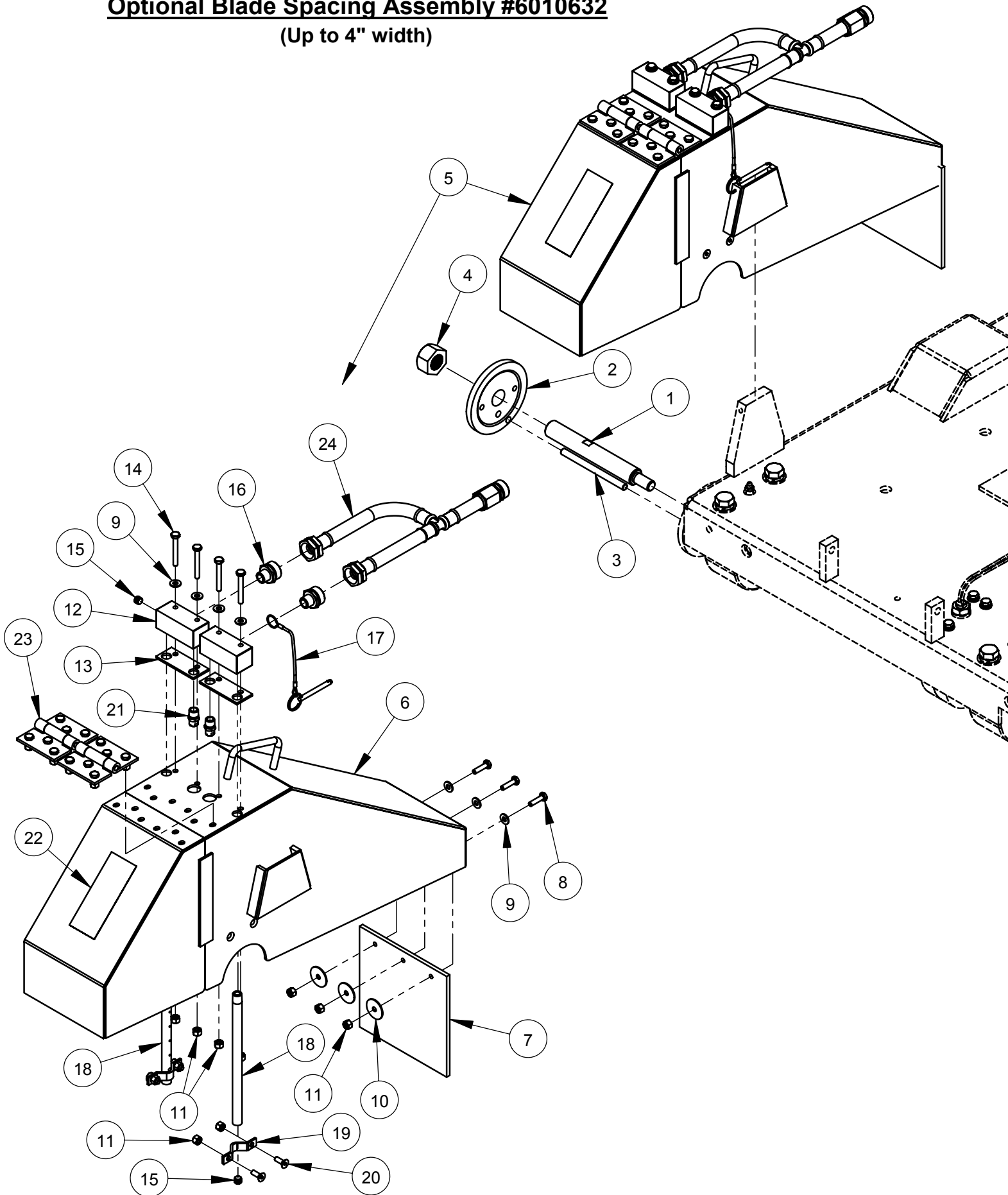


**Optional Blade Spacing Assembly #6010631**  
**(Up to 2" width)**

ITEM	PART NO.	QTY.	DESCRIPTION
1	6010186	1	Blade Shaft Extension, Left Hand Thread
2	6010187	1	Outer Flange 4-1/2"
3	2900218	1	Dowel Pin, 3/8" Dia. x 3-1/2"
4	2900212	1	Hex Nut, 1"-14 Left Hand
5	6010620	1	20" Wide Blade Guard Assembly

ITEM	PART NO.	QTY.	DESCRIPTION
6	6010621	1	20" Wide Blade Guard Front & Rear Only
7	6010296	1	Splash Flap
8	2900008	2	Cap Screw, Hex Hd., 1/4-20 x 1"
9	2900009	4	Flat Washer, 1/4" SAE
10	2900083	2	Fender Washer, 1/4" x 1-1/4"
11	2900010	8	Lock Nut, 1/4-20 Nylon
12	6010288	1	Water Manifold
13	2500988	1	Water Manifold Gasket
14	2900294	2	Cap Screw, Hex Hd., 1/4-20 x 2"
15	3200001	3	Plug, 1/8" NPT
16	3200002	1	Fitting, 3/8" M. Pipe to 3/4" M. Garden
17	2900278	1	Lanyard with Lock Pin
18	6010085	2	Water Tube for 20" Guard
19	6048155	2	Water Tube Clamp
20	2900020	4	Cap Screw, Flat Hd., 1/4-20 x 3/4"
21	3200208	1	Nozzle, 1/4" NPT
22	1800001	1	Warning Label
23	6010251	1	Hinge Assembly for 20" Guard

**Optional Blade Spacing Assembly #6010632**  
(Up to 4" width)

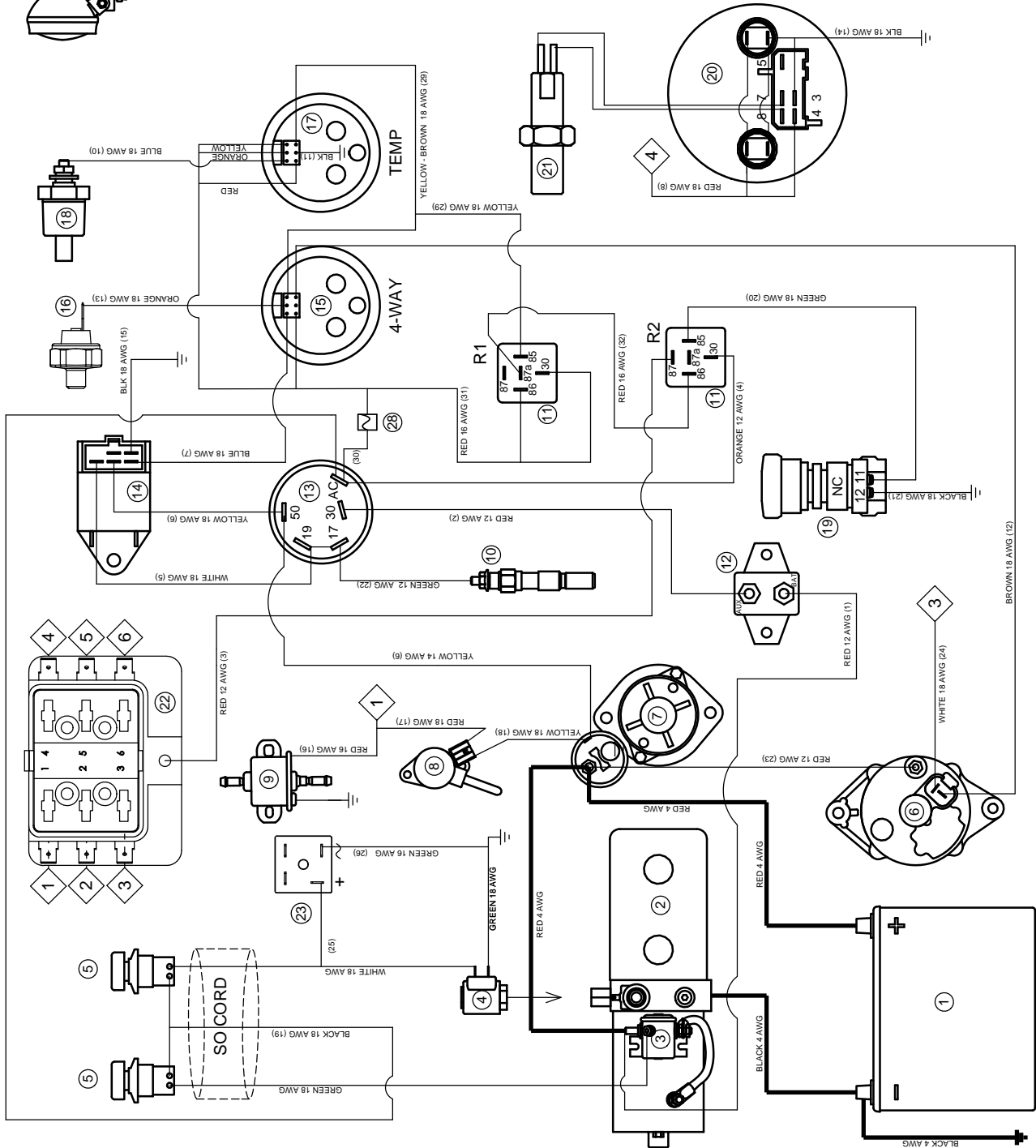


**Optional Blade Spacing Assembly #6010632**  
**(Up to 4" width)**

ITEM	PART NO.	QTY.	DESCRIPTION
1	6010309	1	Blade Shaft Extension, Left Hand Thread
2	6010187	1	Outer Flange 4-1/2"
3	6010359	1	Drive Pin, 3/8" Dia. x 5"
4	2900212	1	Hex Nut, 1"-14 Left Hand
5	6010622	1	20" Wide Blade Guard Assembly

ITEM	PART NO.	QTY.	DESCRIPTION
6	6010623	1	20" Wide Blade Guard Front & Rear Only
7	6010366	1	Splash Flap
8	2900008	3	Cap Screw, Hex Hd., 1/4-20 x 1"
9	2900009	7	Flat Washer, 1/4" SAE
10	2900083	3	Fender Washer, 1/4" x 1-1/4"
11	2900010	11	Lock Nut, 1/4-20 Nylon
12	6048123	2	Water Manifold
13	2500829	2	Water Manifold Gasket
14	2900294	4	Cap Screw, Hex Hd., 1/4-20 x 2"
15	3200001	4	Plug, 1/8" NPT
16	3200002	2	Fitting, 3/8" M. Pipe to 3/4" M. Garden
17	2900278	1	Lanyard with Lock Pin
18	6010085	2	Water Tube for 20" Guard
19	6048155	2	Water Tube Clamp
20	2900020	4	Cap Screw, Flat Hd., 1/4-20 x 3/4"
21	3200208	2	Nozzle, 1/4" NPT
22	1800001	1	Warning Label
23	6010251	2	Hinge Assembly for 20" Guard
24	6010588	1	Hose Assembly, Dual Inlet

# CC6566 Wiring Diagram



R3 TERM #85

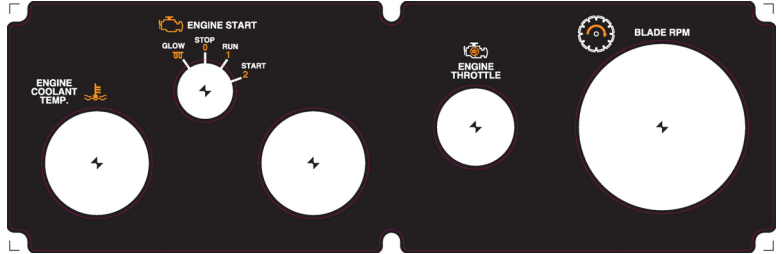
ITEM	PART #	QTY	DESC
1	2800465	1	Battery
2	2600070	1	Hyd Lift Pump
3	2703210	1	Solenoid Switch
4	2700243	1	Valve Coil
5	2800372	1	Raise Pushbutton
6	2800373	1	Lower Pushbutton
7	2704959	1	Alternator
8	2704964	1	Fuel Solenoid
9	2705005	1	Fuel Pump
10	2704962	1	Glow Plug
11	2800144	2	Relay (R1) (R2 = ACC.)
12	2800643	1	Circuit Breaker
13	2800364	1	Boot for Breaker
14	2705001	1	Ign. Switch and Keys
15	2705000	1	Keys only (pair)
16	2705006	1	Timer
17	2705003	1	Cluster Gauge (4-way)
18	2800617	1	Water Temp Gauge
19	2800624	1	Oil Pres. Sender
20	2801367	1	Water Temp Sender
21	2801367	1	E-stop Switch
22	6010416	1	Tach/Hour Meter (VDO)
23	2800169	1	Magnetic Sensor
24	2800925	1	Fuse Panel with Cover
25	2801439	6	10AMP Fuse (LED)
26	2800368	1	Diode
27	2800062	3	Toggle Switch
28	2500194	1	Spot Light
29	2800060	1	Water Pres. Switch N.O.
30	2600200	1	Water Pump
31	2801815	1	Inline Fuse Holder
32	2801439	1	10AMP Mini Fuse (LED)

# Decal Group

# CORE CUT

# CC6566

Core Cut Decal #1801982 (Qty. 3)



Instrument Panel Decal #1801983

**DIAMOND PRODUCTS** **CORE CUT** 333 PROSPECT STREET ELYRIA, OHIO 44025 USA PHONE 1-800-361-5336 www.diamondproducts.com

**CC6566-3 SPEED RPM CHART**

BLADE SIZE	BLADE RPM	GEAR POSITION	ENGINE RPM	MAX CUT DEPTH
14"	2,900	H (High)	2,900	3-3/4"
20"	2,700	H (High)	2,700	6-3/4"
26"	1,925	M (Medium)	2,900	9-3/4"
30"	1,800	M (Medium)	2,700	11-3/4"
36"	1,300	L (Low)	2,900	14-3/4"
42"	1,200	L (Low)	2,700	17-3/4"

**WARNING!** NEVER EXCEED THE MAXIMUM RPM STAMPED ON BLADE!  
EXCESSIVE SPEED CAN CAUSE BLADE BREAKAGE RESULTING IN SERIOUS PERSONAL INJURY OR DEATH.

**WARNING**  
Always check the bladeshaft RPM before mounting blade.  
Only use blades with a rated speed higher than the bladeshaft speed.  
Never exceed the maximum RPM stamped on blade. Exceeding the blade rpm can cause blade breakage and serious personal injury.  
When changing blade size, always adjust bladeshaft RPM according to the speed chart to match recommended blade RPM.  
Do not use a blade design size smaller than indicated for each blade.  
Never operate saw without the blade guard in place or allow rotating blade exposure to exceed 180 degrees.  
Never stand in line with the blade path when starting or operating saw.  
Never use damaged blades or equipment.  
Refer to operator's manual for additional information about safety, operation and maintenance.

**ADVERTENCIA**  
Antes de montar la cuchilla en el eje de la hoja de la motosierra, revise la velocidad.  
Solo use hojas con una velocidad nominal superior a la velocidad máxima en el eje de la hoja.  
Nunca exceda la velocidad máxima indicada en la hoja.  
Al cambiar el tamaño de la cuchilla, siempre ajuste la velocidad del eje de la hoja de acuerdo al cuadro de velocidades para coincidir con la velocidad recomendada de la cuchilla.  
No use una cuchilla de menor tamaño que el indicado para cada cuchilla.  
Nunca opere la sierra sin el guardacuchilla en su lugar o permita la exposición de la cuchilla por más de 180 grados.  
Nunca se ponga en línea con el camino de la hoja al arrancar o operar la sierra.  
Nunca use cuchillas dañadas o equipo.  
Consulte el manual del operador para obtener información adicional sobre seguridad, operación y mantenimiento.

RPM Chart Decal #1801984

**WARNING**

TO PREVENT SERIOUS INJURY DO NOT OPERATE SAW WITHOUT PROPER TRAINING & FULL UNDERSTANDING OF THE OWNERS MANUAL.

WHEN OPERATING THIS MACHINE KEEP ALL GUARDS IN PLACE.

ALWAYS WEAR SAFETY APPROVED

- HEARING PROTECTION
- EYE OR FACE PROTECTION
- HEAD PROTECTION
- RESPIRATOR

S.M.I. MASONRY AND CONCRETE SAW MANUFACTURERS INSTITUTE ©

Warning Decal #1800001

**REAR AXLE ADJUSTMENT**  
EMBRAGAR / DISEMBRAGAR  
LOW SUT CUR OR ULTRA LOW SUT CUR BEFORE ADJUSTING BELT TENSION!  
KEEP HANDS CLEAR

**STOP**  
TIGHTEN / LOOSEN

**WARNING**  
Engage la transmisión cuando la palanca de control de velocidad está en neutro.

**BLADE DEPTH STOP**  
MORE DEPTH / LESS DEPTH

**BLADE LOWERING SPEED**  
SLOW / FAST / LENTO / RÁPIDO

**WATER PUMP**  
ON / OFF / BOMBA / PROYECTOR DE LUZ

**WATER SAFETY**  
ON / OFF / SEGURIDAD DEL AGUA

**WARNING ADVERTENCIA**  
READ OWNERS MANUAL BEFORE OPERATING MACHINE. USE ONLY VENTILATED AREA COLLECTOR OR PLACE IN WELL VENTILATED AREA. ALWAYS WEAR SAFETY APPROVED EQUIPMENT BEFORE USING EQUIPMENT OR PROTECTIVE EQUIPMENT.

**TRANSMISSION**  
FORWARD ADELANTE  
NEUTRAL  
REVERSE REVERSA

**STOP**  
TIGHTEN / LOOSEN  
PRESS / RELEASE / CONTROL / GRIP / PRESS / RELEASE / CONTROL / GRIP

Saw Decals Sheet #1801990

**ADD 3 PUMPS OF GREASE TO PTO EVERY 25 HOURS. USE HIGH TEMPERATURE, EXTREME PRESSURE, LITHIUM BASED GREASE.**

Grease PTO Decal #1800897