

# PARTS MANUAL



 **MAYCO SERIES**  
**MODEL LS300**  
**CONCRETE PUMP**  
**(DEUTZ TD2009L04 DIESEL ENGINE)**

Revision #5 (01/12/21)

**THIS MANUAL MUST ACCOMPANY THE EQUIPMENT AT ALL TIMES.**

# SUGGESTED SPARE PARTS

## LS300 CONCRETE PUMP 1 Unit

Qty.	P/N	Description
1	EM16462	FELT HOLDER
4	EM98050	PISTON CUP, ORANGE
4	EM16493	FELT RING
1	EM98033	OIL PLATE
2	EM14408	BRONZE RING
2	EM16145	BUSHING, SWING AXLE (BRONZE)
1	EM98021	WEAR PLATE
2	EM16816-1A	ENERGIZER RING
1	EM16816-2	INSERT RING
2	EM98065	SLEEVE SEAL
1	EM98022	WEAR RING
1	EM98065	RUBBER RING
2	EM14407	O-RING
1	34507	CAP, FUEL
2	EM20763	FILTER, FUEL (IN LINE)
1	P53712	CARTRIDGE, WATER SEPARATOR
3		FILTER, OIL (ENGINE)
3		FILTER, FUEL (ENGINE)
1	04115210	ELEMENT, AIR CLEANER

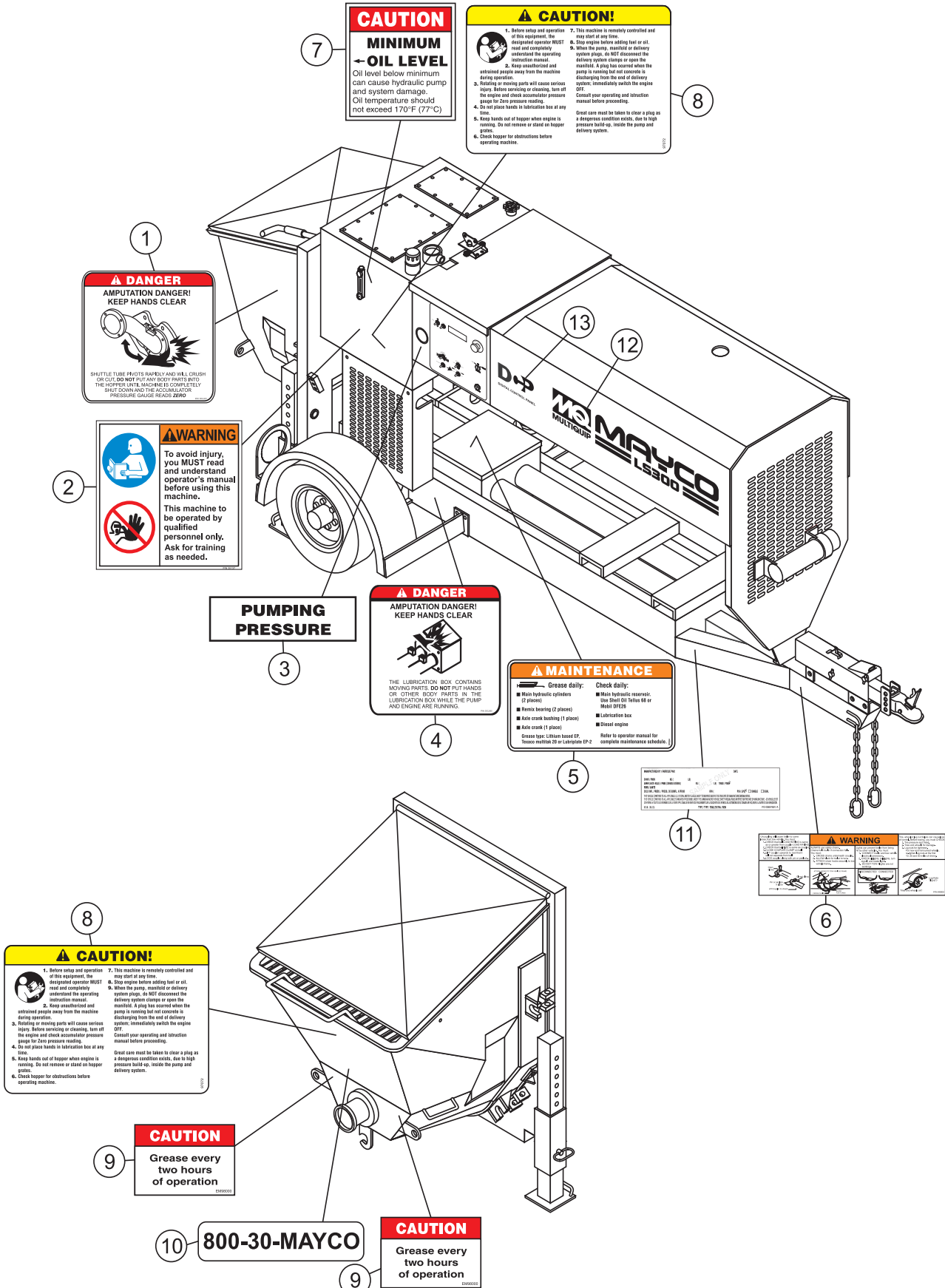
## LS300 CONCRETE PUMP 3 Units

Qty.	P/N	Description
1	EM16459	PIN
2	EM25801	CONCRETE CYLINDER
4	EM16462	FELT HOLDER
6	EM98050	PISTON CUP, ORANGE
8	EM16493	FELT RING
4	EM98033	OIL PLATE
4	EM14408	BRONZE RING
4	EM16145A	BUSHING, SWING AXLE (BRONZE)
3	EM98021A	WEAR PLATE
4	EM16816-1A	ENERGIZER RING
2	EM16816-2	INSERT RING
4	EM98065	SLEEVE SEAL
6	EM98022	WEAR RING
3	EM98065	RUBBER RING
6	EM14407	O-RING
2	EM16174	O-RING
1	EM98138	SWITCH, PROXIMITY
6	510265	BOLT, HEX HEAD 3/8 NC x 3-1/4 IN. G8
1	34507	CAP, FUEL
6	EM20763	FILTER, FUEL
3	P53712	CARTRIDGE, WATER SEPARATOR
9		FILTER, OIL (ENGINE)
9		FILTER, FUEL (ENGINE)
3	04115210	ELEMENT, AIR CLEANER



Part numbers on this Suggested Spare Parts List may supersede or replace the P/N shown in the text pages of this book.

# NAMEPLATE AND DECALS



**CAUTION**  
**MINIMUM OIL LEVEL**  
 Oil level below minimum can cause hydraulic pump and system damage. Oil temperature should not exceed 170°F (77°C)

**CAUTION!**

- Before setup and operation of this equipment, the designated operator MUST read and completely understand the operating instruction manual.
- Keep unauthorized and untrained people away from the machine during operation.
- Relifting or rearing parts will cause serious injury. Before servicing or cleaning, turn off the engine and check accumulator pressure gauge for zero pressure reading.
- Do not place hands in lubrication box at any time.
- Keep hands out of hopper when engine is running. Do not remove or stand on hopper gates.
- Check hopper for obstructions before operating machine.

This machine is remotely controlled and may start at any time.  
 Stop engine before adding fuel or oil.  
 When the pump, manifold or delivery system plugs, do NOT disconnect the delivery system clamps or open the manifold. A plug has formed when the pump is running but not concrete is discharging from the end of delivery system. Immediately switch the engine OFF. Consult your operating and instruction manual before proceeding.  
 Great care must be taken to clear a plug as a dangerous condition exists. Due to high pressure build-up, inside the pump and delivery system.

**DANGER**  
 AMPUTATION DANGER!  
 KEEP HANDS CLEAR!

SHUTTLE TUBE PIVOTS RAPIDLY AND WILL CRUSH OR CUT. DO NOT PUT ANY BODY PARTS INTO THE HOPPER UNTIL MACHINE IS COMPLETELY SHUT DOWN AND THE ACCUMULATOR PRESSURE GAUGE READS ZERO

**WARNING**

To avoid injury, you MUST read and understand operator's manual before using this machine.

This machine to be operated by qualified personnel only. Ask for training as needed.

**PUMPING PRESSURE**

**DANGER**  
 AMPUTATION DANGER!  
 KEEP HANDS CLEAR!

THE LUBRICATION BOX CONTAINS MOVING PARTS. DO NOT PUT HANDS OR OTHER BODY PARTS IN THE LUBRICATION BOX WHILE THE PUMP AND ENGINE ARE RUNNING.

**MAINTENANCE**

Grease daily:	Check daily:
<ul style="list-style-type: none"> <li>Main hydraulic cylinders (2 places)</li> <li>Main bearing (2 places)</li> <li>Auto crank bushing (1 place)</li> <li>Auto crank (1 place)</li> </ul>	<ul style="list-style-type: none"> <li>Main hydraulic reservoir. Use Shell Tellus 68 or Mobil DTE25</li> <li>Lubrication box</li> <li>Diesel engine</li> </ul>

Grease type: Lithium based EP. Saeae multi-grade 20 or Lubriplate EP-2.  
 Refer to operator manual for complete maintenance schedule.

**WARNING**

DO NOT OPERATE THIS MACHINE WITHOUT THE PROPER TRAINING AND INSTRUCTIONS. ALWAYS WEAR YOUR SAFETY BELT AND SEATBELT. ALWAYS WEAR YOUR SAFETY GLASSES. ALWAYS WEAR YOUR SAFETY SHOES. ALWAYS WEAR YOUR SAFETY GLOVES. ALWAYS WEAR YOUR SAFETY HELMET. ALWAYS WEAR YOUR SAFETY VEST. ALWAYS WEAR YOUR SAFETY CAP. ALWAYS WEAR YOUR SAFETY GOGGLES. ALWAYS WEAR YOUR SAFETY MASK. ALWAYS WEAR YOUR SAFETY EARPLUGS. ALWAYS WEAR YOUR SAFETY EARPLUGS. ALWAYS WEAR YOUR SAFETY EARPLUGS.

**CAUTION!**

- Before setup and operation of this equipment, the designated operator MUST read and completely understand the operating instruction manual.
- Keep unauthorized and untrained people away from the machine during operation.
- Relifting or rearing parts will cause serious injury. Before servicing or cleaning, turn off the engine and check accumulator pressure gauge for zero pressure reading.
- Do not place hands in lubrication box at any time.
- Keep hands out of hopper when engine is running. Do not remove or stand on hopper gates.
- Check hopper for obstructions before operating machine.

This machine is remotely controlled and may start at any time.  
 Stop engine before adding fuel or oil.  
 When the pump, manifold or delivery system plugs, do NOT disconnect the delivery system clamps or open the manifold. A plug has formed when the pump is running but not concrete is discharging from the end of delivery system. Immediately switch the engine OFF. Consult your operating and instruction manual before proceeding.  
 Great care must be taken to clear a plug as a dangerous condition exists. Due to high pressure build-up, inside the pump and delivery system.

**CAUTION**  
 Grease every two hours of operation

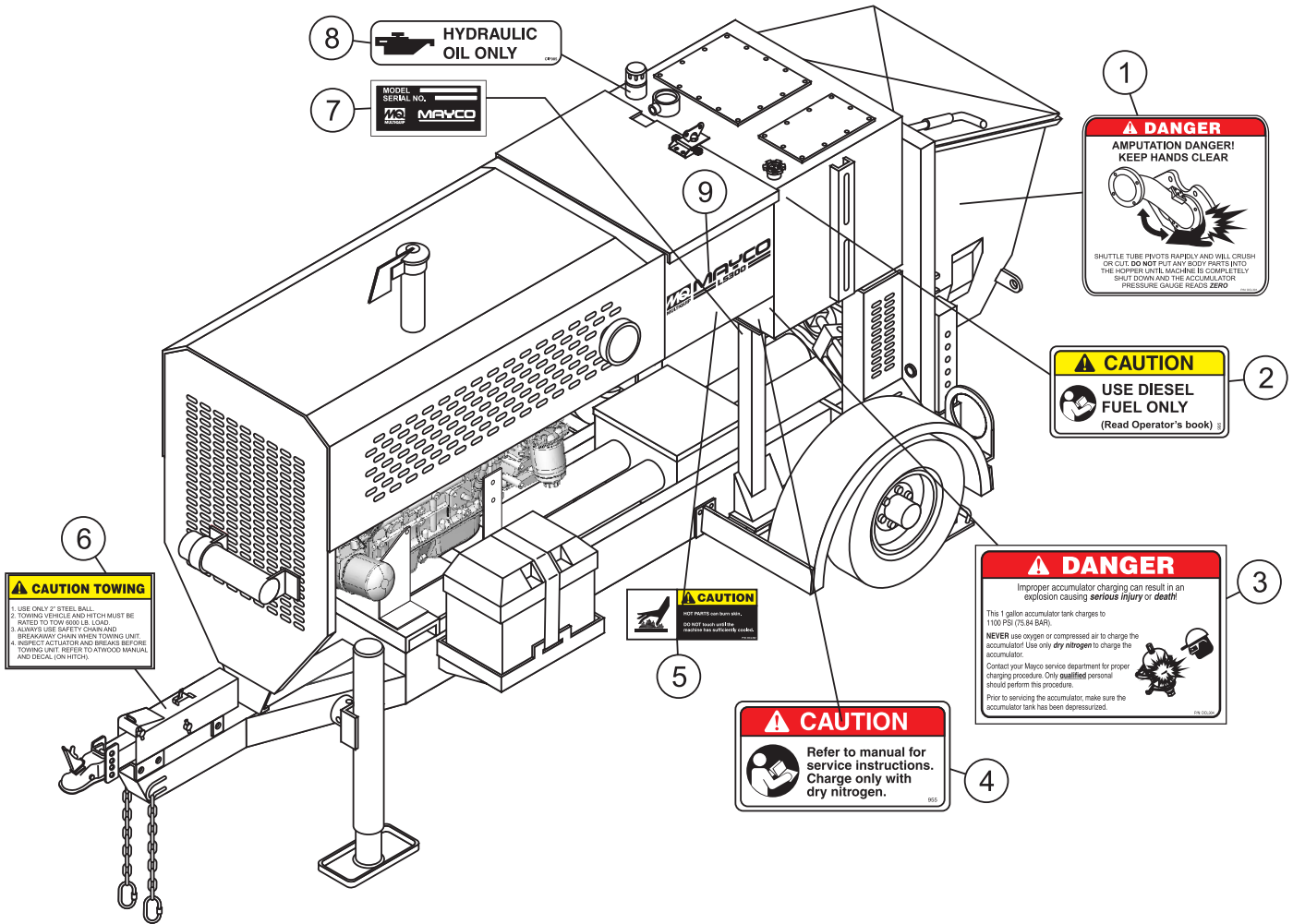
**800-30-MAYCO**

**CAUTION**  
 Grease every two hours of operation

## NAMEPLATE AND DECALS

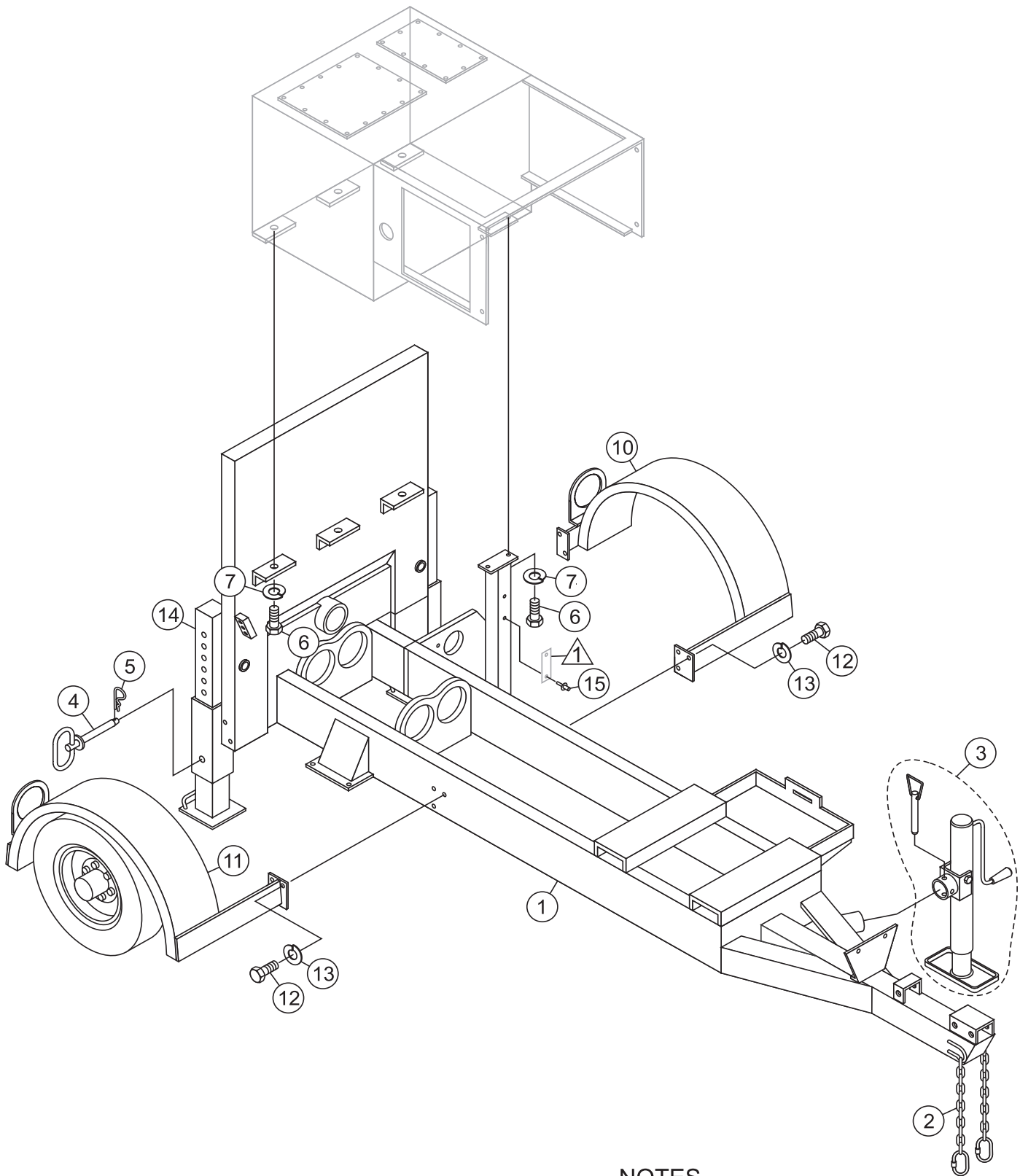
<u>NO.</u>	<u>PART NO.</u>	<u>PART NAME</u>	<u>QTY.</u>	<u>REMARKS</u>
1	DCL301	DECAL, SHUTTLE TUBE DANGER	1	
2	35137	DECAL, CAUTION READ MANUAL	1	
3	EM97070	DECAL, PUMPING PRESSURE DECAL	1	
4	DCL300	DECAL, DANGER LUBRICATION BOX	1	
5	EM97084	DECAL, MAINTENANCE	1	
6	49002	DECAL, WARNING COUPLER	1	
7	EM511091	DECAL, MINIMUM OIL LEVEL	1	
8	EM97072	DECAL, CAUTION - OP. INSTRUCTIONS	2	
9	EM98000	DECAL, CAUTION - GREASE 2 HOURS	2	
10	511709	DECAL, 800-30-MAYCO	1	
11	TBD	DECAL, VIN IDENTIFICATION	1	
12	EM516936	DECAL, LS300	1	
13	517907	DIGITAL CONTROL PANEL LOGO	1	

# NAMEPLATE AND DECALS



## NAMEPLATE AND DECALS

<u>NO.</u>	<u>PART NO.</u>	<u>PART NAME</u>	<u>QTY.</u>	<u>REMARKS</u>
1	DCL301	DECAL, SHUTTLE TUBE DANGER	1	
2	EM995	DECAL, CAUTION DIESEL FUEL	1	
3	DCL304	DECAL, DANGER IMPROPER CHARGING	1	
4	EM955	DECAL, DANGER CHARGING ACCUM.	1	
5	DCL302	DECAL, WARNING BURN HAZARD	1	
6	EM696	DECAL, CAUTION - TOWING DECAL	1	
7		SERIAL PLATE .....	1	..... CONTACT MQ PARTS DEPT.
8	EM985	DECAL, HYDRAULIC OIL ONLY	1	
9	EM516937	DECAL, LS300	1	

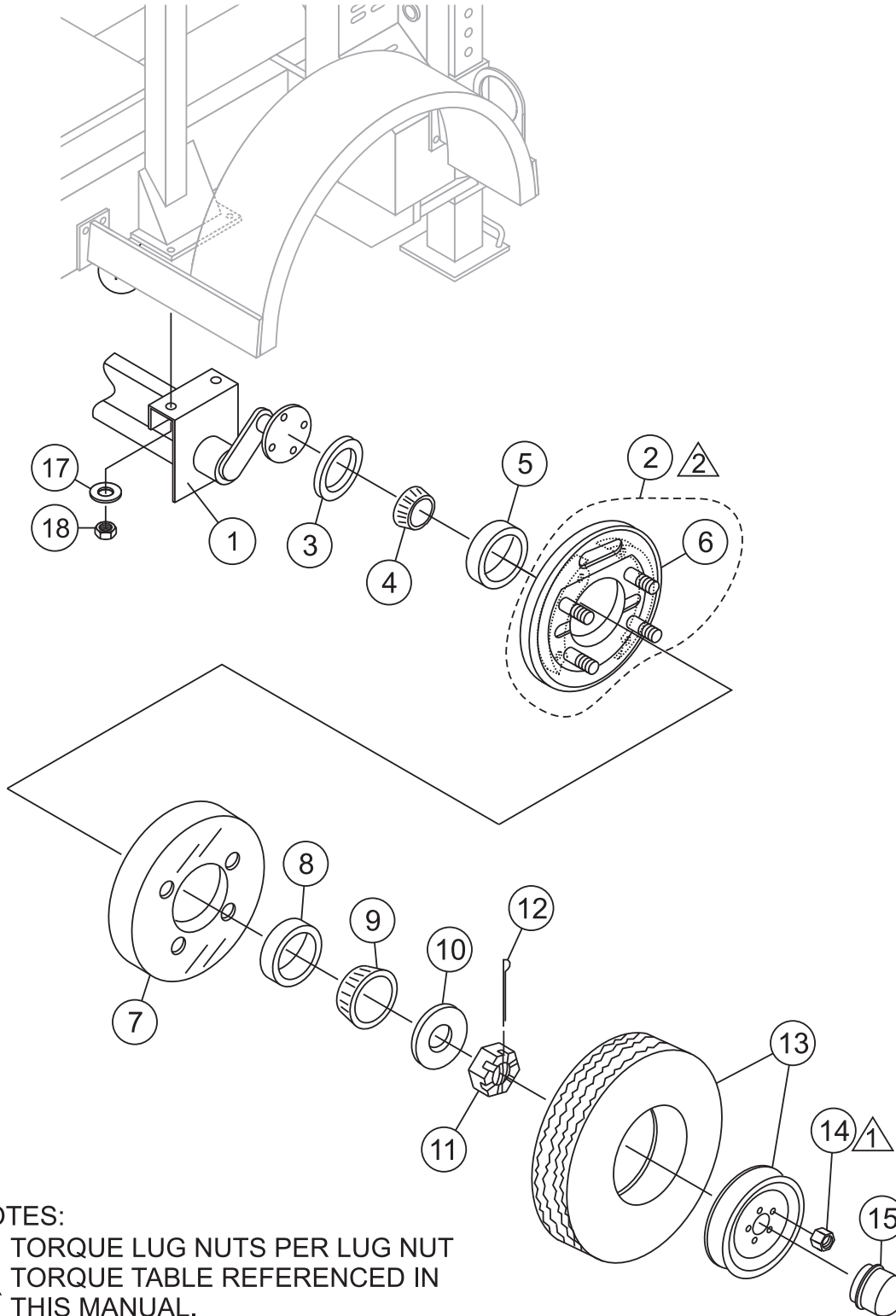


## NOTES

- 1 SERIAL PLATE,  
SEE NAMEPLATE AND DECALS

**FRAME ASSY.**

<u>NO.</u>	<u>PART NO.</u>	<u>PART NAME</u>	<u>QTY.</u>	<u>REMARKS</u>
1	516758	FRAME, MAIN	1	
2	516581	CHAIN, TRAILER HITCH	2	
3	EM25610	JACK STAND, FRONT	1	
4	EM744	CLEVIS PIN	2	
5	EM491686	PIN	2	
6	EM963055	HHB 3/8 NC X 3/4 G5	5	
7	0166 A	WASHER, LOCK 3/8" MED	5	
10	518026	FENDER, LEFT	1	
11	817025	FENDER, RIGHT	1	
12	504456	BOLT 1/2"NC X 3/4" G5	10	
13	6109180	WASHER, LOCK 1/2"	10	
14	EM70186	STABILIZER STAND	2	
15	EM491744	RIVET, POP AM-44	2	



**NOTES:**

TORQUE LUG NUTS PER LUG NUT  
 TORQUE TABLE REFERENCED IN  
 THIS MANUAL.



RIGHT AND LEFT SIDE AXLE  
 ASSEMBLIES ARE IDENTICAL  
 WITH THE EXCEPTION OF THE  
 BRAKE ASSEMBLY.



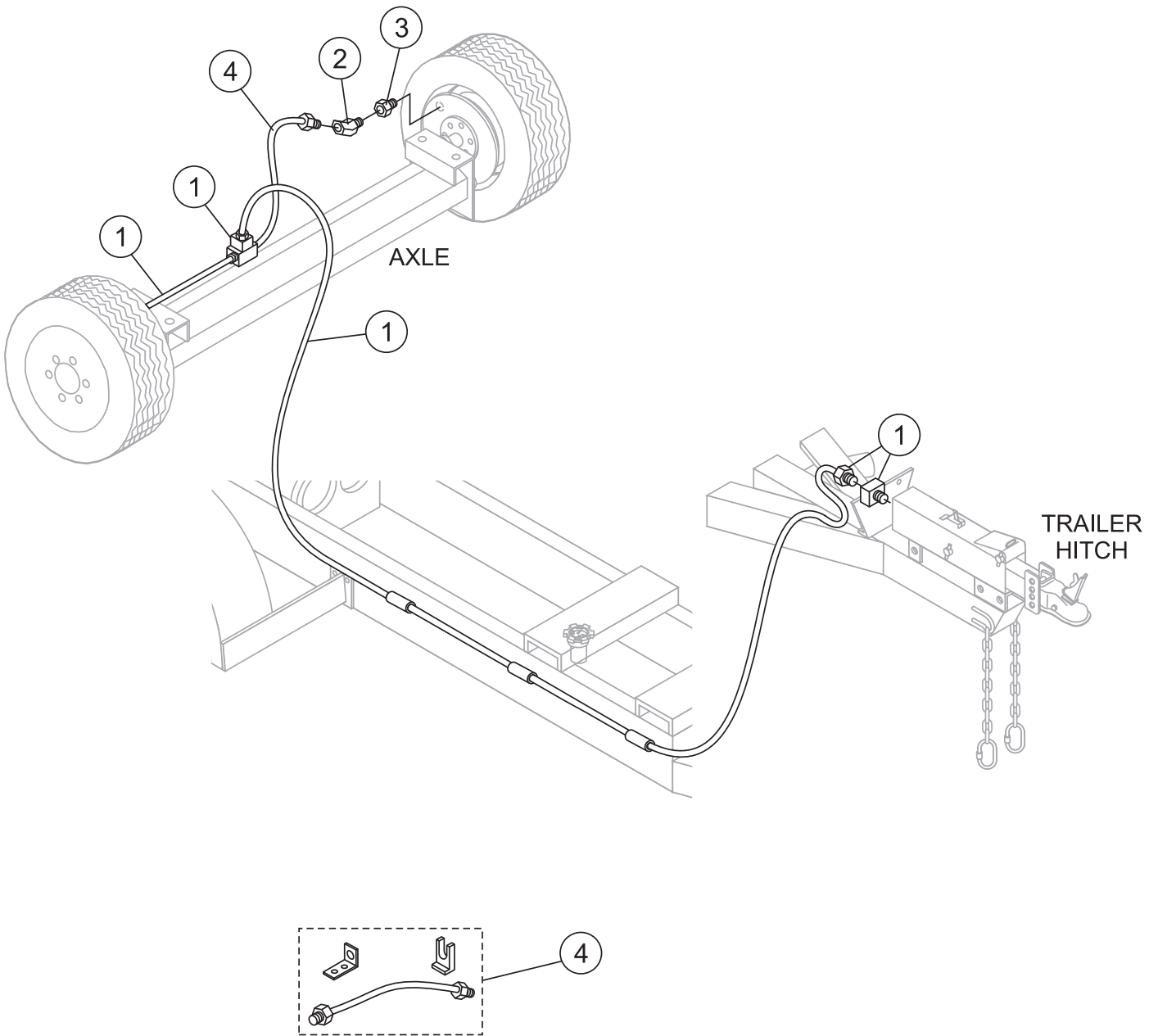
AXLE ASSY. (RIGHT/LEFT)

<u>NO.</u>	<u>PART NO.</u>	<u>PART NAME</u>	<u>QTY.</u>	<u>REMARKS</u>
1	516931	AXLE, TORSION BAR ASSY.	1	
2	EM092305	BRAKE ASSY COMPLETE, RIGHT .....	1 .....	INCLUDES ITEMS W/#
2	EM092306	BRAKE ASSY COMPLETE, LEFT .....	1 .....	INCLUDES ITEMS W/%
		.....		SEE NOTE BELOW
3	363198	OIL SEAL	1	
4	363196	INNER BEARING CONE 2 IN.	1	
5	383911	INNER BEARING CUP 2 IN.	1	
6#%	363909	WHEEL STUD 1/2 IN. - 20 UNF PRESS IN	8	
7	363239	HUB AND DRUM ASSY.	2	
8	363916	OUTER BEARING CONE	1	
9	363420	OUTER BEARING CUP	1	
10	568326	LOAD WASHER 1 IN. T5 HP	1	
11	363257	SLOTTED NUT, 1 IN. UNF	2	
12	363258	COTTER PIN 3/16 IN. X 1-1/2	2	
13	EM515479	RIM AND TIRE	2	
14	26519	WHEEL LUG NUTS 1/2 UNF 60 CON	8	
15	516482	GREASE CAP	2	
16	EM963692	CAPSCREW, 1/2-13X1-1/2 HHCS	4	
17	EM621	WASHER, 1/2"	8	
18	EM092305	NUT, LOCK 1/2"	4	



RIGHT AND LEFT SIDE AXLE ASSEMBLIES ARE IDENTICAL WITH THE EXCEPTION OF THE BRAKE ASSEMBLY.

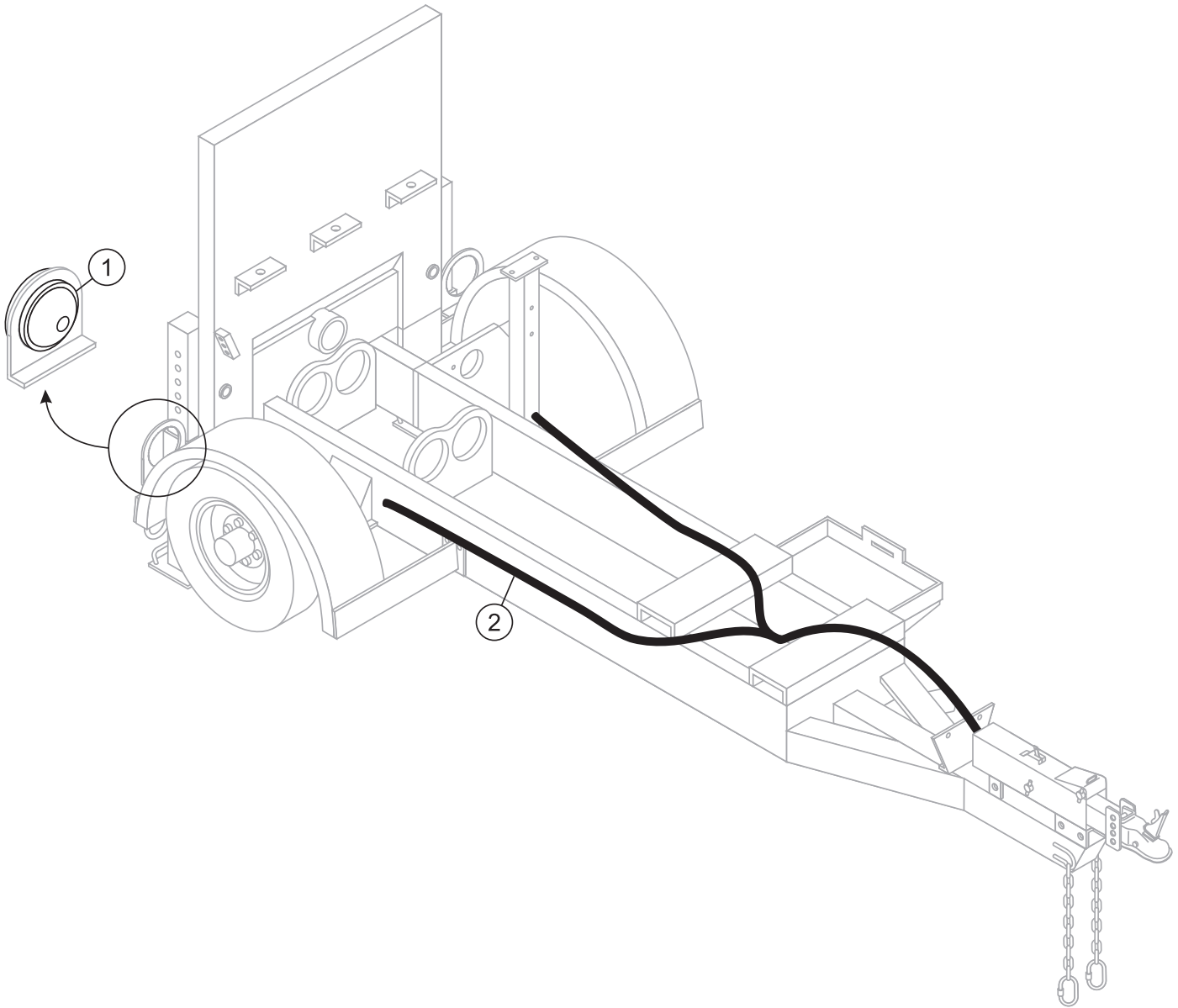
# BRAKE LINE ASSY.



## BRAKE LINE ASSY.

<u>NO.</u>	<u>PART NO.</u>	<u>PART NAME</u>	<u>QTY.</u>	<u>REMARKS</u>
1	34566	KIT, MAIN BRAKE LINE	1	
2	EM512877	ADAPTOR, STRAIGHT	2	
3	EM512876	ADAPTOR, ELBOW	2	
4	34565	KIT, WHEEL BRAKE LINE	1	

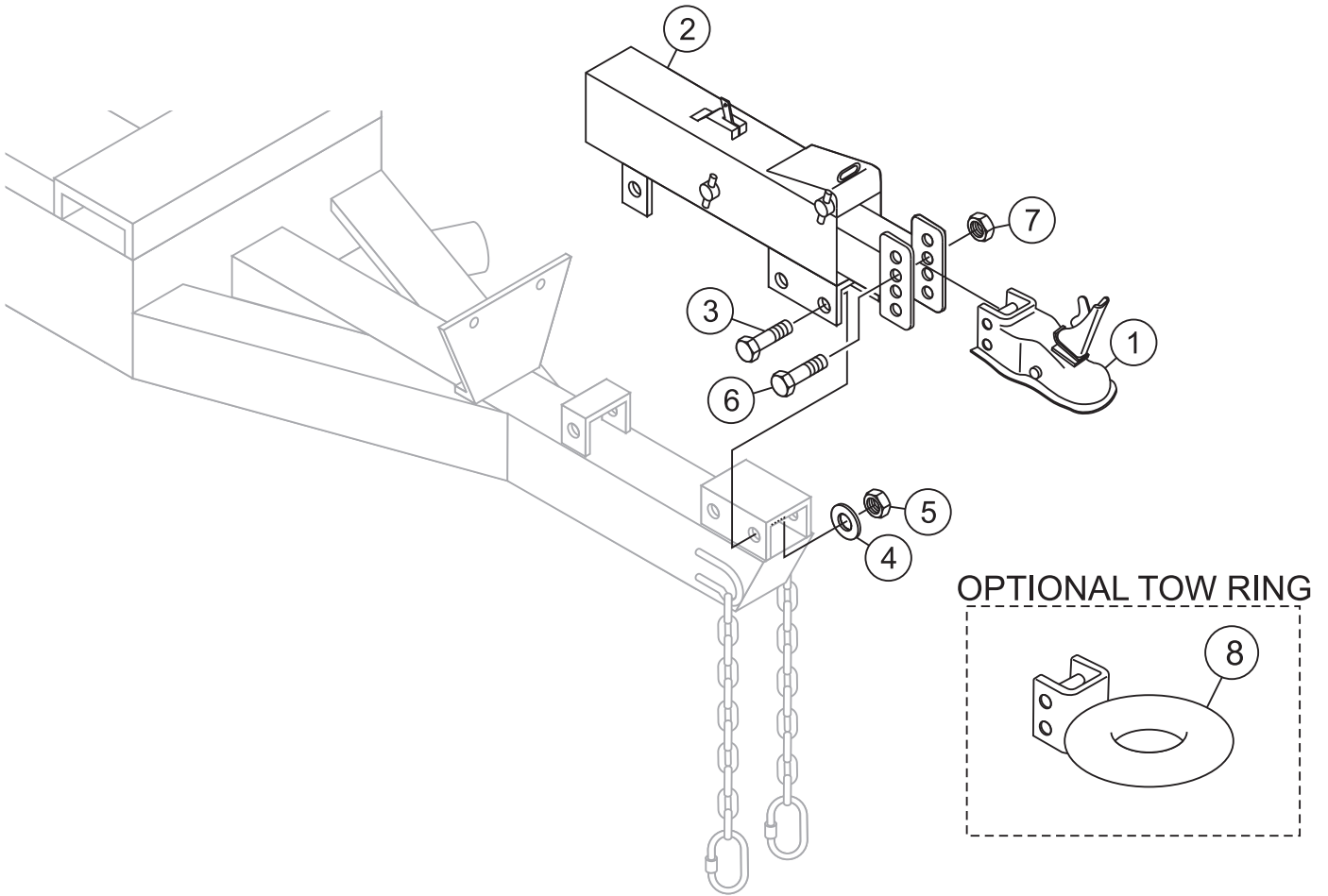
# BRAKE LIGHT ASSY.



## BRAKE LIGHT ASSY.

<u>NO.</u>	<u>PART NO.</u>	<u>PART NAME</u>	<u>QTY.</u>	<u>REMARKS</u>
1	26536	BRAKE LIGHT ASSY.	2	
2	515419	HARNESS ASSY. W/RECEPTACLES	1	

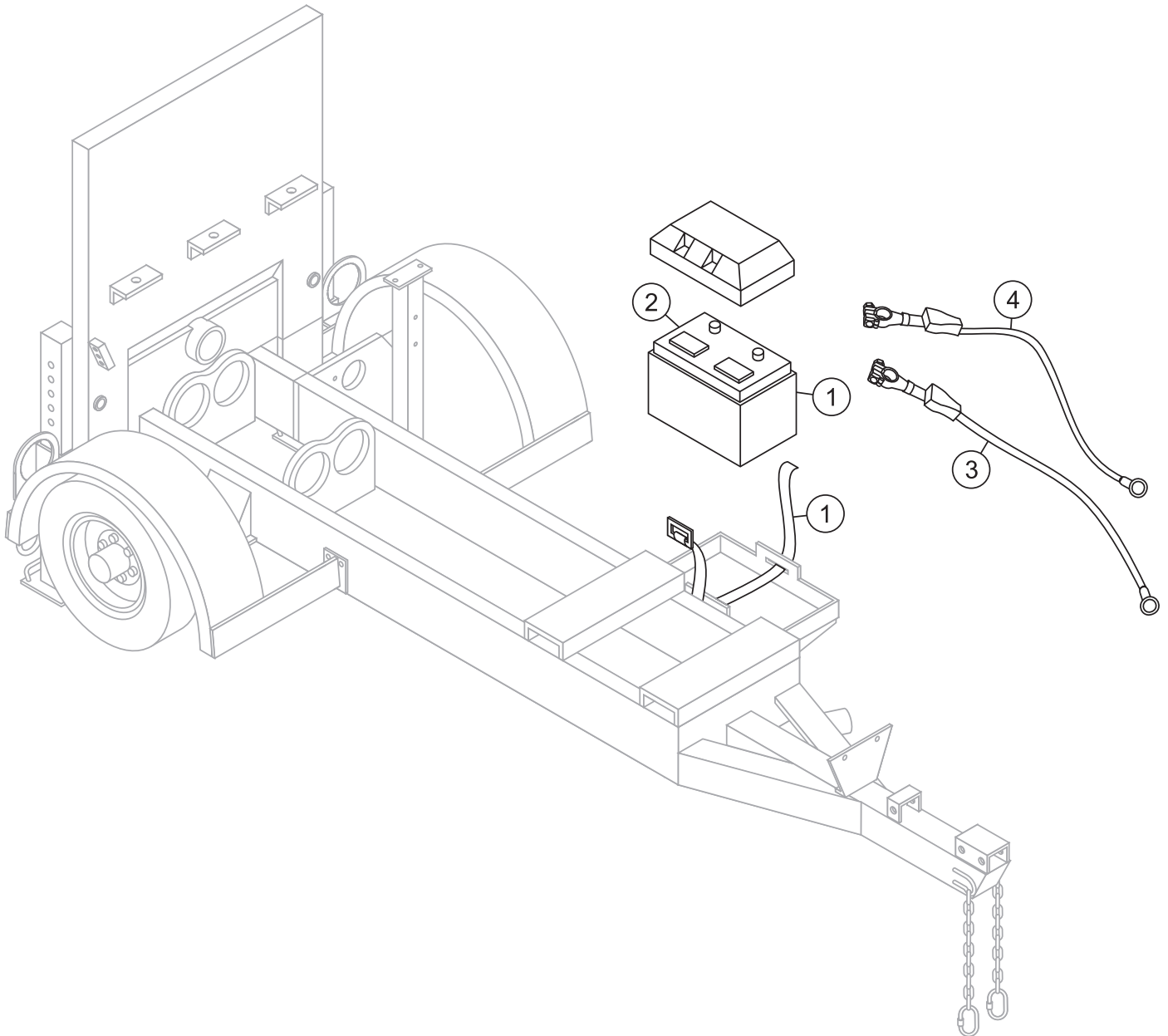
# TRAILER HITCH ASSY.



## TRAILER HITCH ASSY.

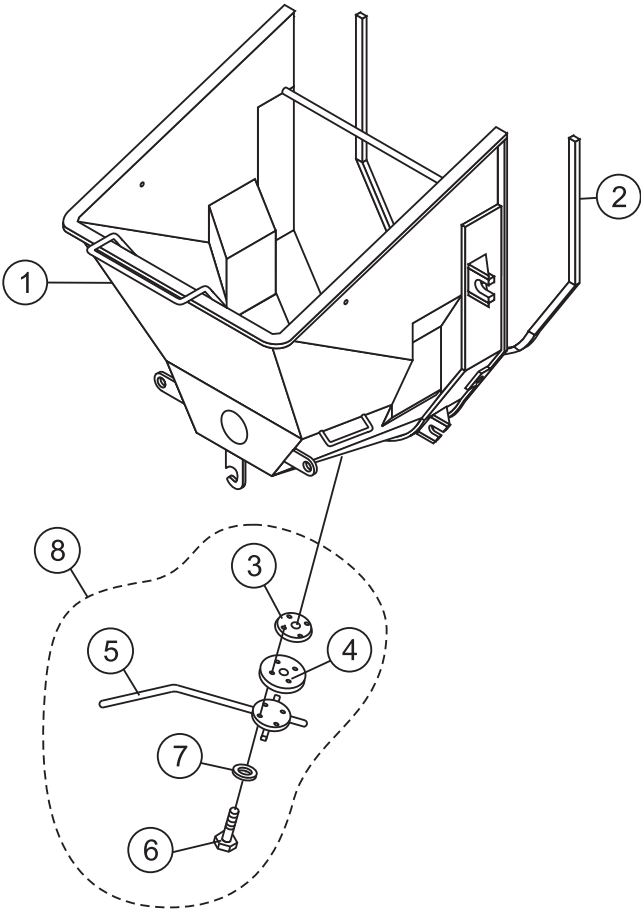
<u>NO.</u>	<u>PART NO.</u>	<u>PART NAME</u>	<u>QTY.</u>	<u>REMARKS</u>
1	EM29228	COUPLING, TRAILER 2 IN.BALL, 6000 LBS	1	
2	EM19067	ACTUATOR, BRAKE	1	
3	EM503111	BOLT, HEX HEAD 1/2 NC X 4-1/2 IN.	3	
4	EM492600	WASHER, FLAT 1/2 IN.	3	
5	EM492584	NUT, LOCK 1/2 IN.	3	
6	EM507658	BOLT, HEX HEAD 5/8 NC X 4-1/2 IN. G5	2	
7	EM492586	NUT, LOCK 5/8 IN.	2	
8	16137	TOW RING, 3 IN. LUNETTE EYE	1	

# BATTERY ASSY.



## BATTERY ASSY.

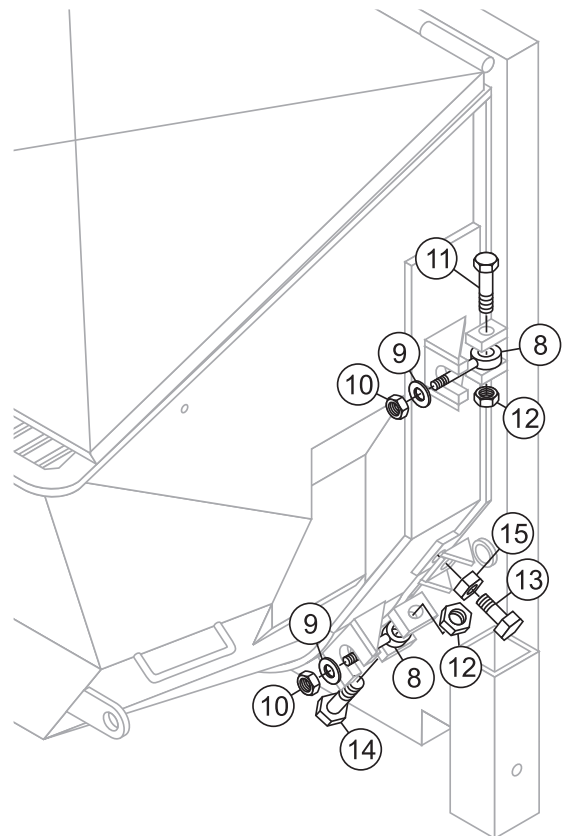
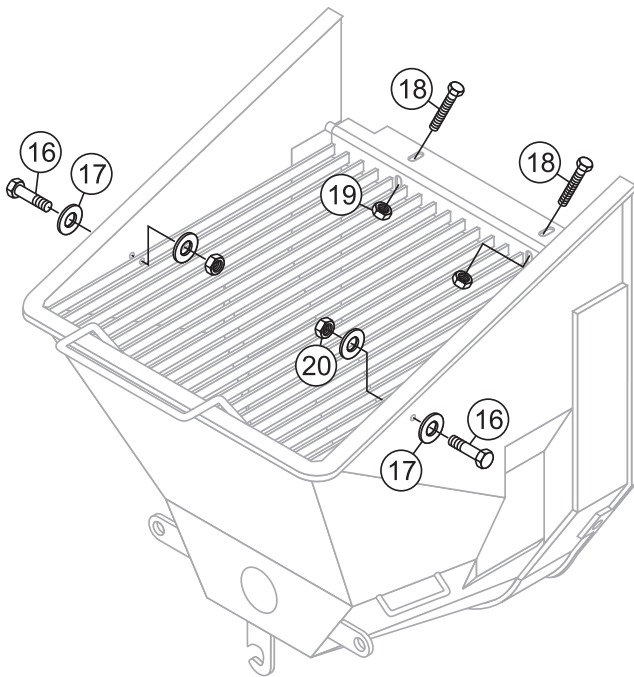
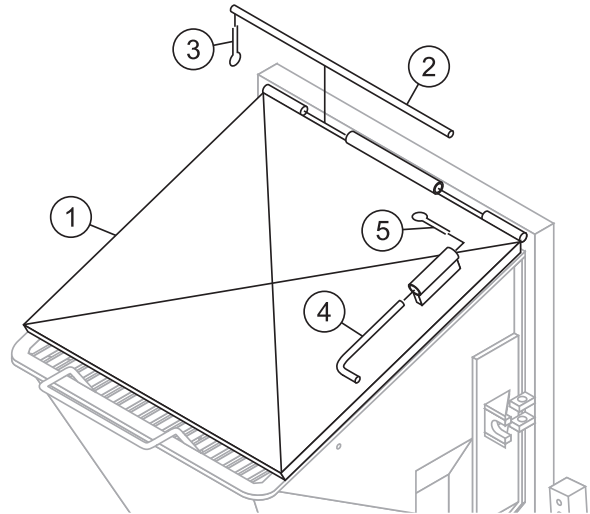
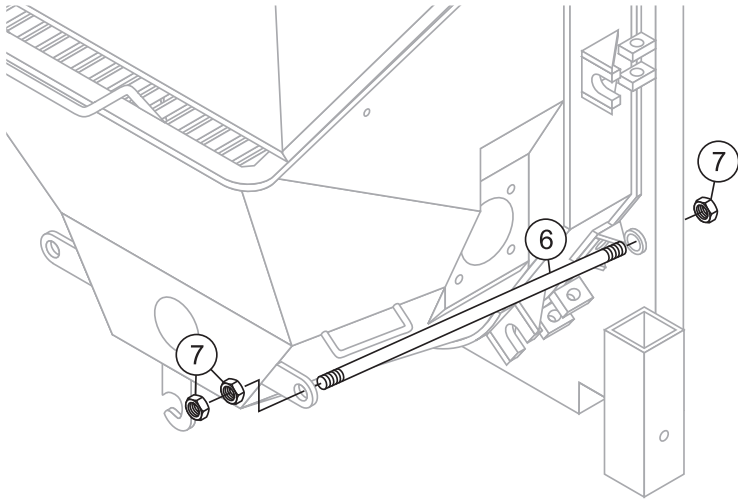
<u>NO.</u>	<u>PART NO.</u>	<u>PART NAME</u>	<u>QTY.</u>	<u>REMARKS</u>
1	10318	BATTERY BOX W/ BELT	1	
2	491344	BATTERY 12V	1	
3	515177	BATTERY CABLE POSITIVE	1	
4	515133	BATTERY CABLE NEGATIVE	1	



# HOPPER ASSY.

<u>NO.</u>	<u>PART NO.</u>	<u>PART NAME</u>	<u>QTY.</u>	<u>REMARKS</u>
1	EM517753	HOPPER ASSY	1	
2	EM16184	HOPPER SEAL	1	
3	EM70860-1	PISTON CUP HOLDER	1	
4	EM50417	PISTON CUP SEAL	1	
5	EM508830	HANDLE	1	
6	492378	BOLT 3/8 X 1-3/4 IN.	4	
7	0166 A	WASHER, LOCK 3/8 IN.	4	
8	EM70860	HANDLE ASSY.	1	

# HOPPER ATTACHMENT ASSY.

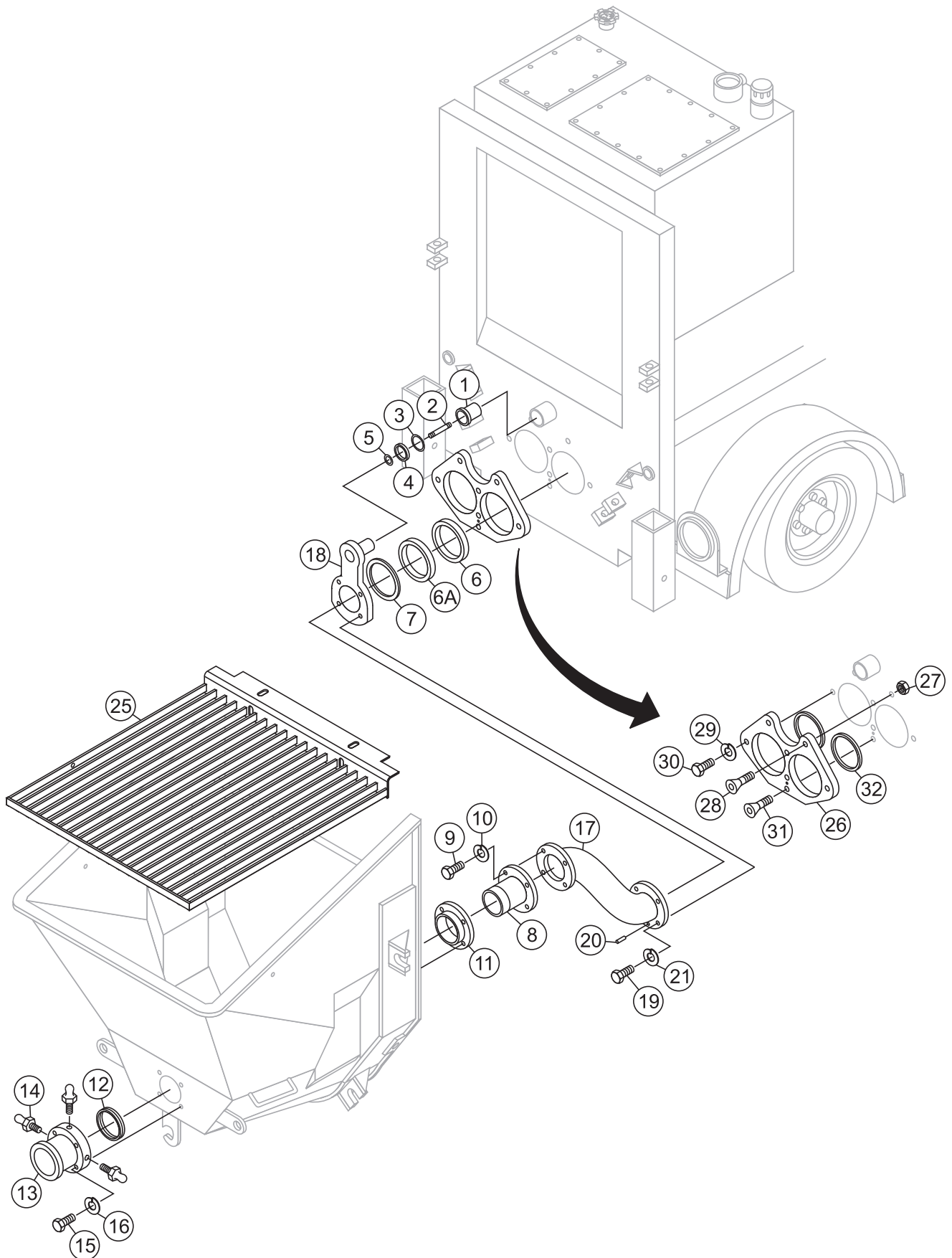


# HOPPER ATTACHMENT ASSY.

## HOPPER ATTACHMENT ASSY.

<u>NO.</u>	<u>PART NO.</u>	<u>PART NAME</u>	<u>QTY.</u>	<u>REMARKS</u>
1	EM514204	SPLASH PLATE	1	
2	EM514620	HINGE PIN	1	
3	EM491686	COTTER PIN 1/8 X 1-1/2 IN.	1	
4	EM70134-2	PIN, SPLASH PLATE	1	
5	EM505723	COTTER PIN 5/32 X 1-1/2 IN.	1	
6	EM16166	TIE ROD	2	
7	505728	NUT, HEX 1 IN. NC	6	
8	EM14165	EYE BOLT 3/4 IN.	4	
9	EM619	O-RING 3/4 IN.	4	
10	EM968446	NUT, HEX 3/4 IN.	4	
11	505121	BOLT 3/4 IN. X 3 IN.	4	
12	EM968446	HEX NUT 3/4 IN.	4	
13	505123	HEX BOLT 1/2 X 2-1/2 IN.	2	
14	492491	HEX BOLT 1/2 X 1-1/2 IN.	1	
15	6109160	HEX NUT 1/2 IN.	3	
16	492379	SCREW CAP 3/8"	2	
17	3019092	WASHER FLAT 3/8"	4	
18	515395	BOLT 7/16 NC X 4" G5	2	
19	492584	NUT LOCK 1/2"	2	
20	EM969013	NUT NYLOC	2	

# HOPPER INTERIOR ASSY.

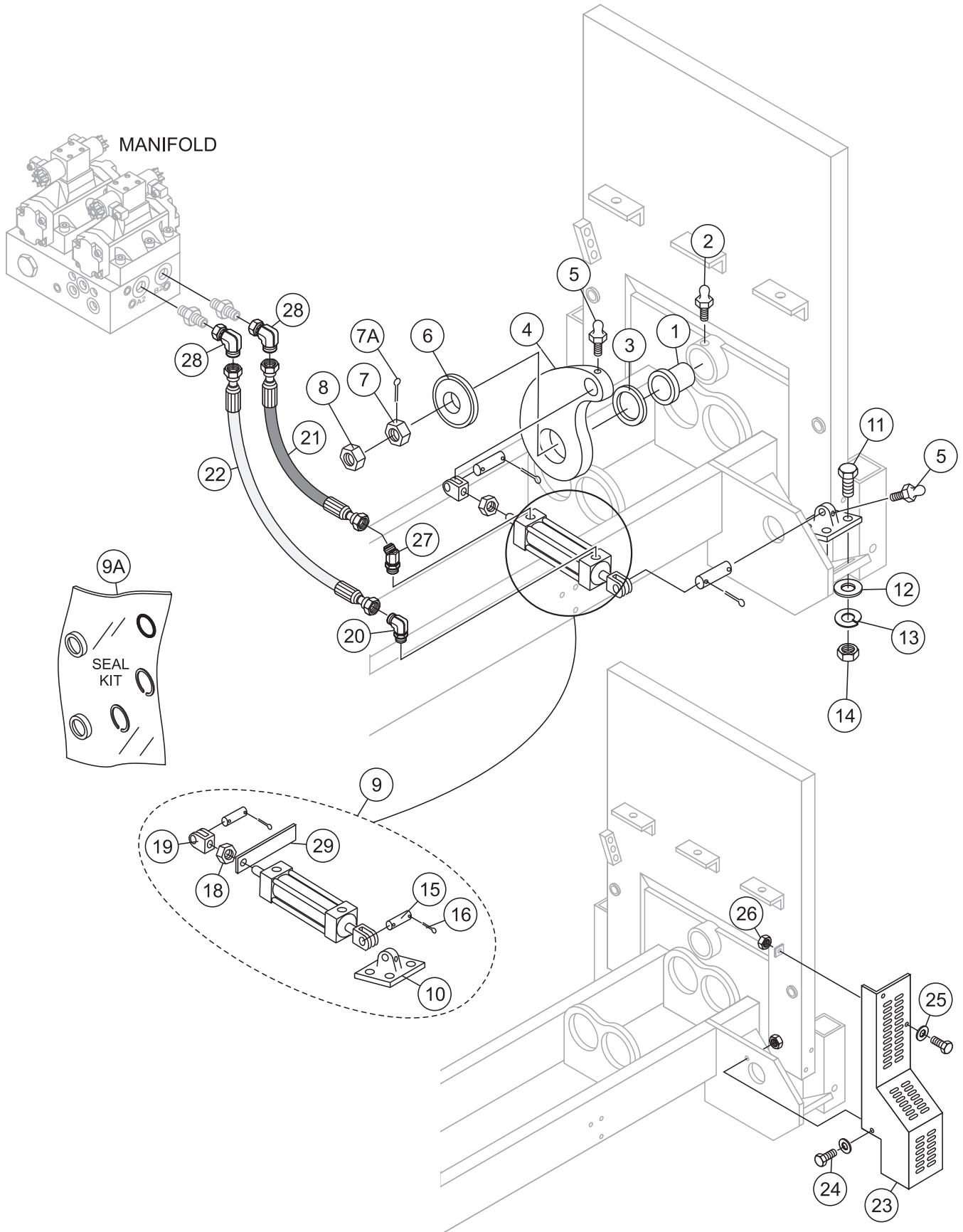


# HOPPER INTERIOR ASSY.

## HOPPER INTERIOR ASSY.

<u>NO.</u>	<u>PART NO.</u>	<u>PART NAME</u>	<u>QTY.</u>	<u>REMARKS</u>
1	EM16145A	SWING AXLE BUSHING	2	
2	EM284	STUD 1 IN. - 14 UNF	1	
3	EM16175	O-RING	1	
4	EM16170	RING SEAL, SHUTTLE AXLE	1	
5	EM16176	O-RING	1	
6	EM98022	WEAR RING HF	1	
6A	EM16816-1A	RING, ENERGIZER RUBBER	1	
7	EM16816-2	RING, INSERT STEEL	1	
8	EM16804A	SLEEVE 5 IN.	1	
9	EM104	BOLT 5/8 X 2 IN.	4	
10	EM923348	WASHER, LOCK 5/8 IN.	4	
11	EM25803	DISCHARGE PLATE BEARING	1	
12	EM98065	SEAL, RUBBER	1	
13	EM512212	DISCHARGE NIPPLE	1	
14	491701	GREASE FITTING	3	
15	EM210	BOLT 5/8 X 2 IN.	6	
17	EM16811	SHUTTLE CYLINDER	1	
18	EM25843	NUN PLATE	1	
19	EM104	BOLT, HEX HEAD 5/8 X 2 IN.	4	
20	491719	PIN	1	
21	EM923348	WASHER, LOCK 5/8 IN.	4	
25	EM514357	HOPPER SCREEN	1	
26	EM98021	PLATE, WEAR HF	1	
27	EM969023	NUT, HEX 5/8 IN. NC INS.	2	
28	EM265	BOLT, COUNTER SUNK 5/8-11 x 3 IN.	2	
29	EM923350	WASHER, LOCK 3/4 IN.	2	
30	EM151	BOLT, HEX HEAD 3/4-10 X 2 IN.	2	
31	EM264	BOLT, COUNTER SUNK 1/2-13 x 3 IN.	2	
32	EM517700	O-RING	2	

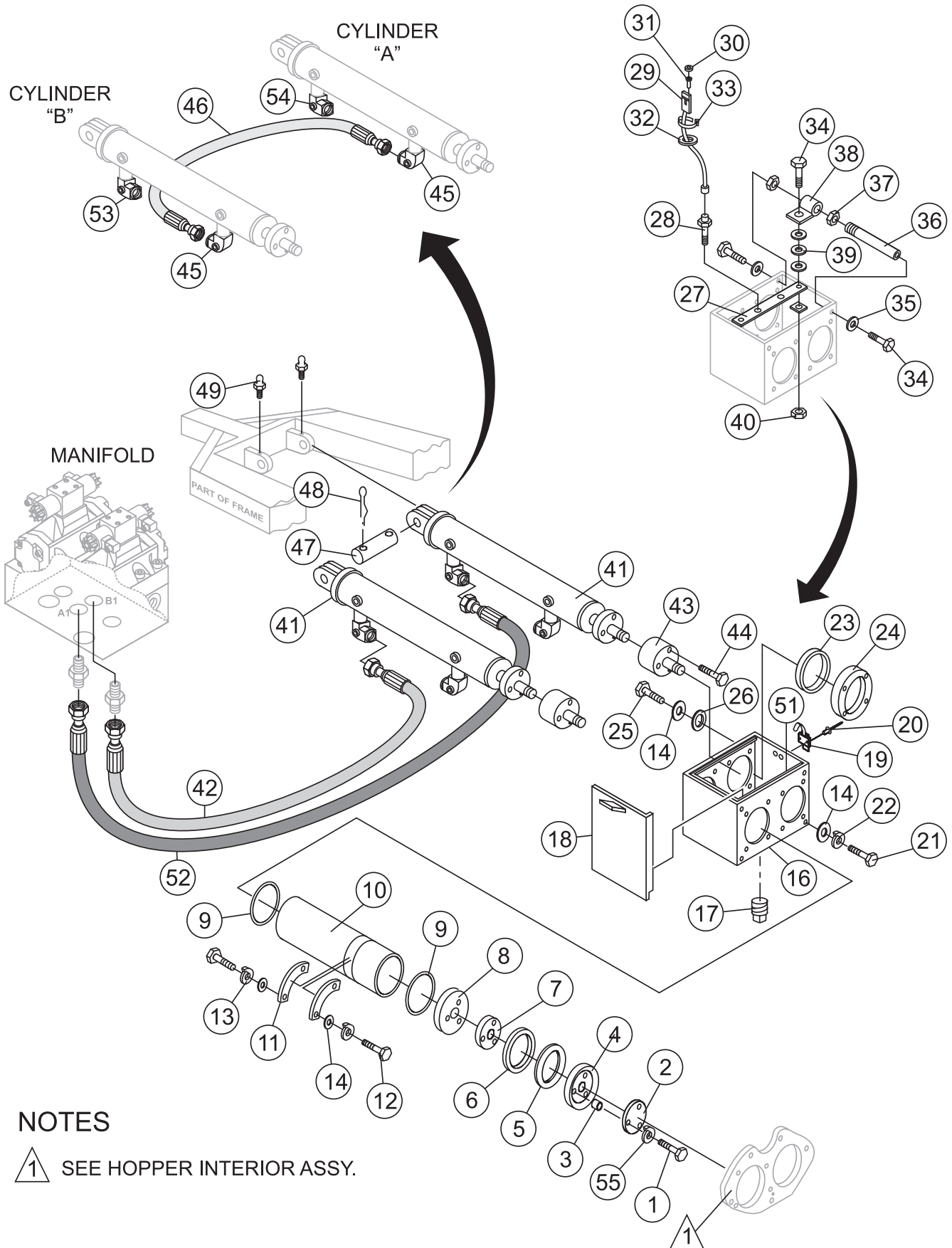
# SHUTTLE CYLINDER ASSY.



# SHUTTLE CYLINDER ASSY.

<u>NO.</u>	<u>PART NO.</u>	<u>PART NAME</u>	<u>QTY.</u>	<u>REMARKS</u>
1	EM16145A	SWING AXLE BUSHING	2	
2	EM510684	GREASE FITTING	1	
3	EM16169	THRUST WASHER	1	
4	EM510514	SHUTTLE CRANK, SPLINED SHAFT	1	
5	EM505490	GREASE FITTING	2	
6	EM16814	TENSIONER	1	
7	EM509221	HEX NUT 1 IN. 14NF	1	
7A	EM491690	COTTER PIN 5/32 X 2 IN.	1	
8	EM417	NUT 1 IN. 14NF	1	
9	EM98205	SHUTTLE CYLINDER ASSY. ....	1	INCLUDES ITEMS W/*
9A	EM98106SK	SEAL KIT, SHUTTLE CYLINDER	1	
10*	EM254549	BRACKET, PIVOT	1	
11	492397	BOLT 1/2 X 2-1/2 IN.	4	
12	EM621	WASHER 1/2 IN.	4	
13	6109180	WASHER, LOCK 1/2 IN.	4	
14	492584	NUT 1/2 IN.	4	
15*	0820270000	CLEVIS PIN 3/4 IN.	2	
16*	0820270000	COTTER PIN	2	
18*	515249	JAM NUT	1	
19*	0509440000	FEMALE CLEVIS	2	
20	3322	FITTING, ELBOW	1	
21	EM518013	HOSE	1	
22	EM518012	HOSE	1	
23	516965	COVER, SHUTTLE CYLINDER	1	
24	0202	BOLT	3	
25	EM923023	WASHER, FLAT	3	
26	2105164	NUT, HEX	3	
27	518016	FITTING, 45°	1	
28	TBD	FITTING, 90°	2	
29*	518044	BRACKET	1	

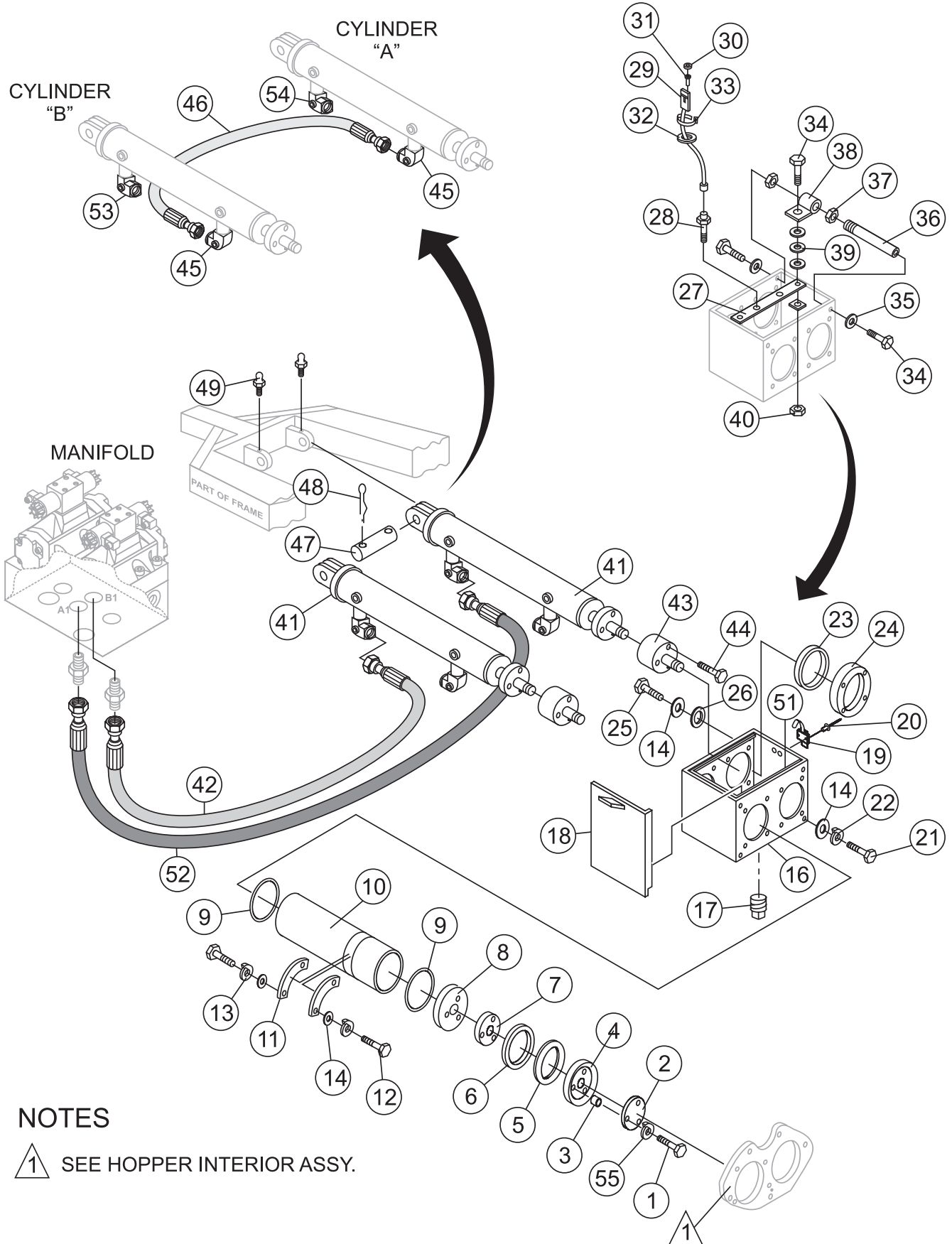
# LUBRICATION PISTONS ASSY.



## LUBRICATION PISTONS ASSY.

<u>NO.</u>	<u>PART NO.</u>	<u>PART NAME</u>	<u>QTY.</u>	<u>REMARKS</u>
1	EM510265	BOLT, HEX HEAD 3/8 NC X 3-1/2 IN., BLACK OXIDE G8	6	
2	EM16464	FACE PLATE	2	
3	EM16465	PISTON CUP SPACER	6	
4	EM98050	CUP, PISTON- ORANGE	2	
5	EM14408	RING, BRONZE	2	
6	EM16493	RING, FELT	2	
7	EM16462	FELT HOLDER	2	
8	EM16461	OILER PLATE	2	
9	EM14407	O- RING, OILER PLATE	2	
10	EM80801	CYLINDER, CONCRETE	2	
11	EM25110	RETAINER, CYLINDER	4	
12	EM963610	BOLT, 3/8 NC X 1.3/4 IN. G5	8	
13	0166 A	WASHER LOCK 3/8 IN.	8	
14	3019092	WASHER, FLAT 3/8 IN.	22	
16	EM514197	LUBRICATION BOX	1	
17	EM507895	PLUG	1	
18	EM515796	COVER, LUBRICATION BOX	1	
19	EM514610	LATCH, COVER	1	
20	491754	RIVET, AM-66	2	
21	492378	BOLT, 3/8 NC X 1.3/4 IN. G5	6	
22	0166 A	WASHER, LOCK 3/8"	6	
23	EM274351	SEAL LUBE BOX	2	
24	EM50425	FLANGE, RING	2	
25	492451	BOLT 3/8 - 24 X 1 IN. HEX HEAD	8	
26	EM50443	SEAL, OIL BOX	8	
27	514208	BAR, PROXIMITY SWITCH SUPPORT	1	
28	EM98163	SWITCH, PROXIMITY W/CABLE	2	
29	EM98135	CABLE HOUSING, FEMALE	2	
30	EM98134	SEAL, CONNECTOR HOUSING	6	
31	EM98138	TERMINAL PIN, FEMALE	6	
32	514611	GROMMET	2	
33	504505	WRAP TIE	8	

# LUBRICATION PISTONS ASSY.

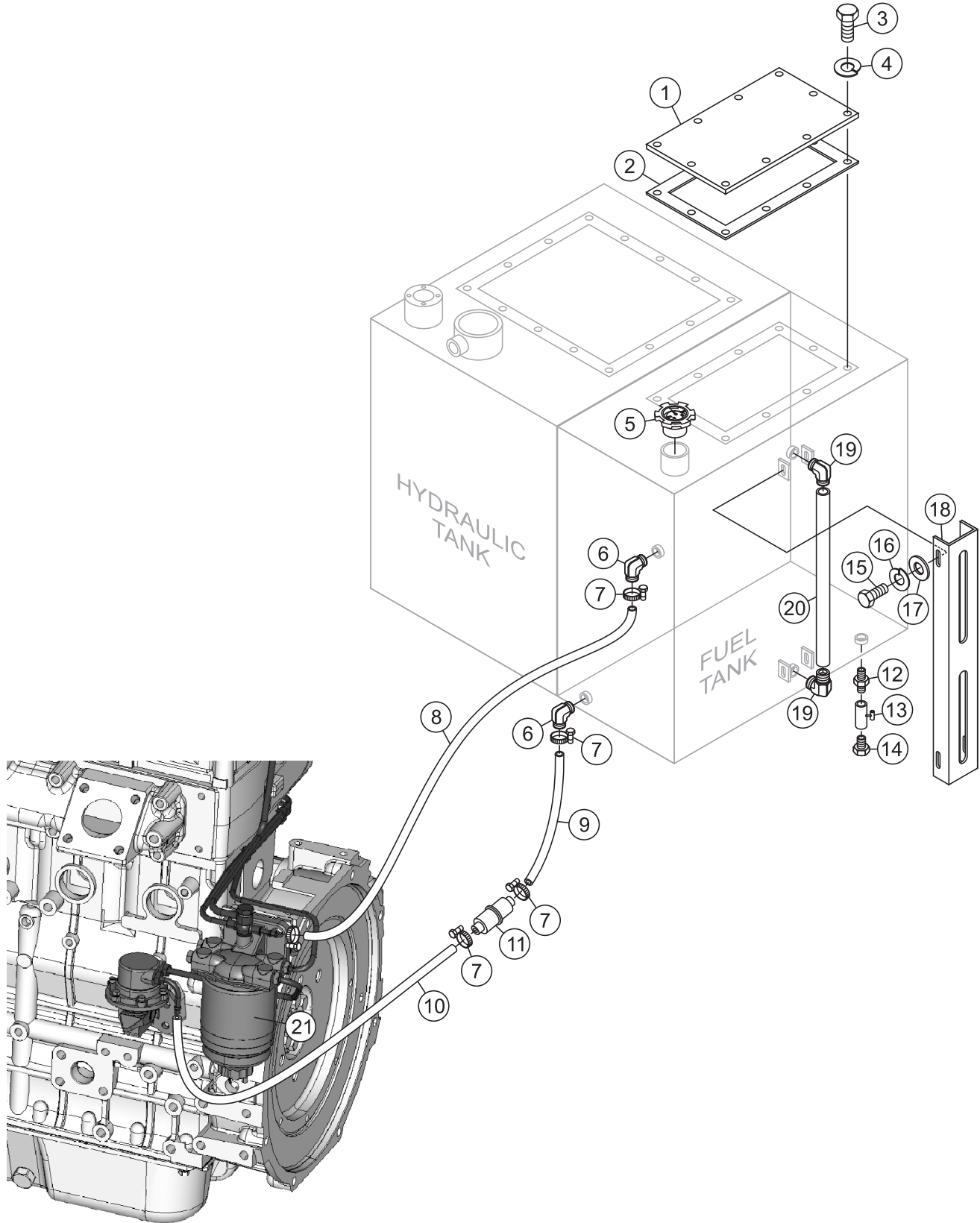


# LUBRICATION PISTONS ASSY.

## LUBRICATION PISTONS ASSY.

<u>NO.</u>	<u>PART NO.</u>	<u>PART NAME</u>	<u>QTY.</u>	<u>REMARKS</u>
34	492364	BOLT, HEX HEAD 5/16 NC X 1 IN. G5	6	
35	EM492623	WASHER, LOCK 5/16 IN.	4	
36	EM514216	ADJUSTMENT ROD, PROXIMITY SWITCH	2	
37	EM492556	NUT, HEX 1/2 IN.	4	
38	EM514207	BRACKET, ADJUSTMENT ROD	2	
39	EM492597	WASHER, FLAT 5/16 IN.	6	
40	EM492582	NUT, HEX HEAD 5/16 IN	2	
41	EM80423A	CYLINDER, MAIN	2	
42	518001	HOSE, MAIN HYD. CYLINDER	2	
43	EM514202	EXTENSION, SPACER	2	
44	EM185	BOLT, SOCKET HEAD 3/8 NC X 3 IN., BLACK OXIDE G8	6	
45	EM25497	FITTING, 90°	2	
46	514607	HOSE, HYDRAULIC SLAVE	1	
47	EM16459	PIN, WRIST	2	
48	EM505723	PIN, COTTER	4	
49	EM491701	FITTING, GREASE	2	
51	EM513352	SEAL, SQUARE	1	
52	518002	HOSE	1	
53	25459	FITTING, 90°	1	
54	516411	FITTING, 90°	1	
55	517126	LOCK WASHER	6	

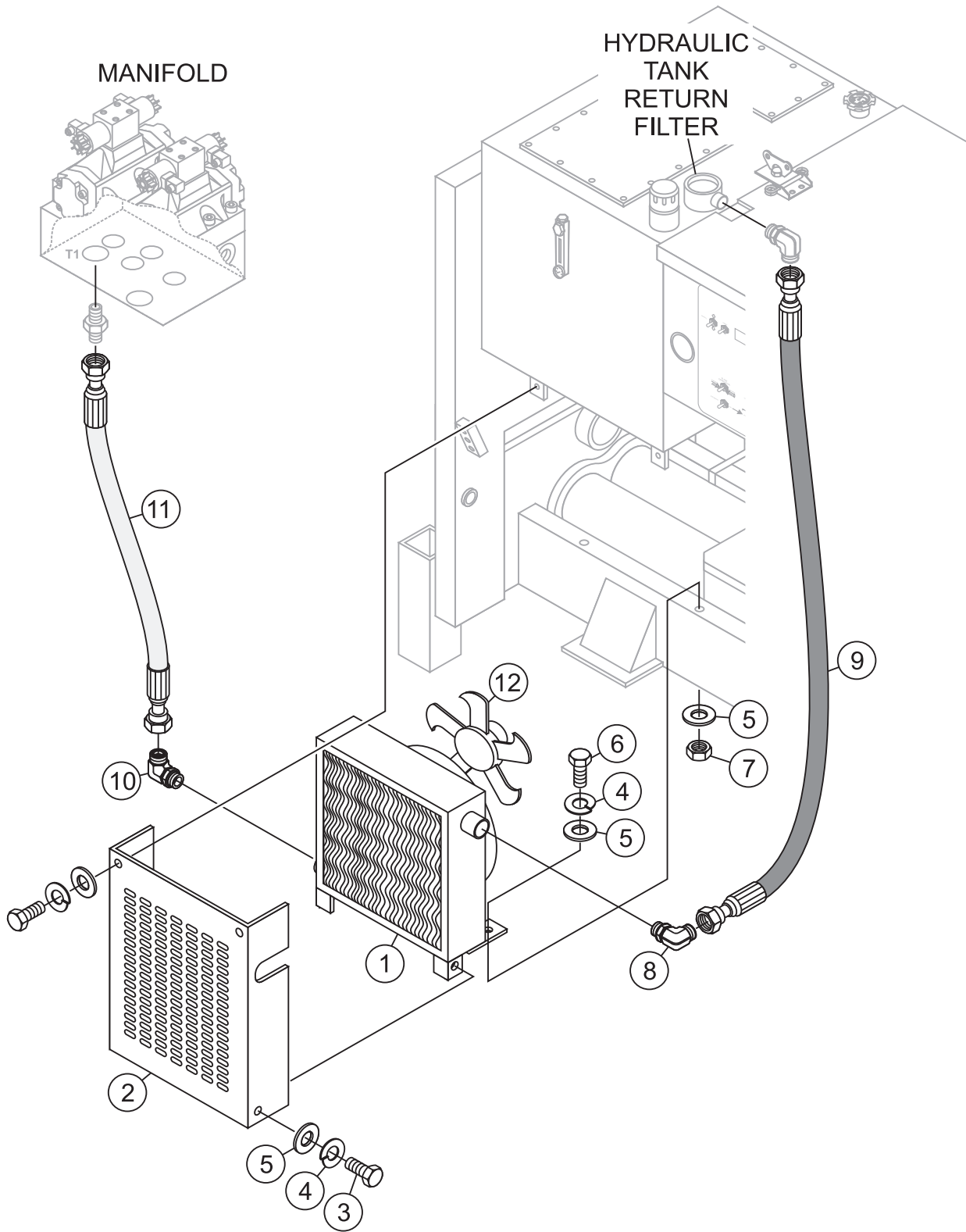
# FUEL TANK/WATER SEPARATOR ASSY.



## FUEL TANK/WATER SEPARATOR ASSY.

<u>NO.</u>	<u>PART NO.</u>	<u>PART NAME</u>	<u>QTY.</u>	<u>REMARKS</u>
1	EM516869	COVER, DIESEL TANK	1	
2	516880	GASKET	1	
3	492362	BOLT 5/16 X 5/8 IN.	10	
4	EM923343	WASHER, LOCK 5/16 IN.	10	
5	42799	CAP, FUEL	1	
6	EM514559	ADAPTOR	1	
7	506208	CLAMP	5	
8	EM514536	HOSE, FUEL RETURN 5/16 IN.	A/R	
9	EM20426	ADAPTER	1	
10	EM514536	HOSE, FUEL FILTER 5/16 IN.	A/R	
11	EM20763	FILTER, FUEL	2	
12	509369	ADAPTER, 1/2-FF-S	1	
13	491237	GATE VALVE, 1/2" NPT FEMALE	1	
14	506094	PLUG, 1/2" NPT GALVANIZED	1	
15	492356	BOLT 1/4" X 3/4"	4	
16	2101402	WASHER SPRING 1/4"	4	
17	EM923057	WASHER 1/4"	4	
18	516878	GUARD, FUEL GAUGE	1	
19	EM20426	ELBOW, BRASS	2	
20	518067	FUEL GAUGE, HOSE	1	
21	TBD	WATER SEPARATOR ASSY.	1	

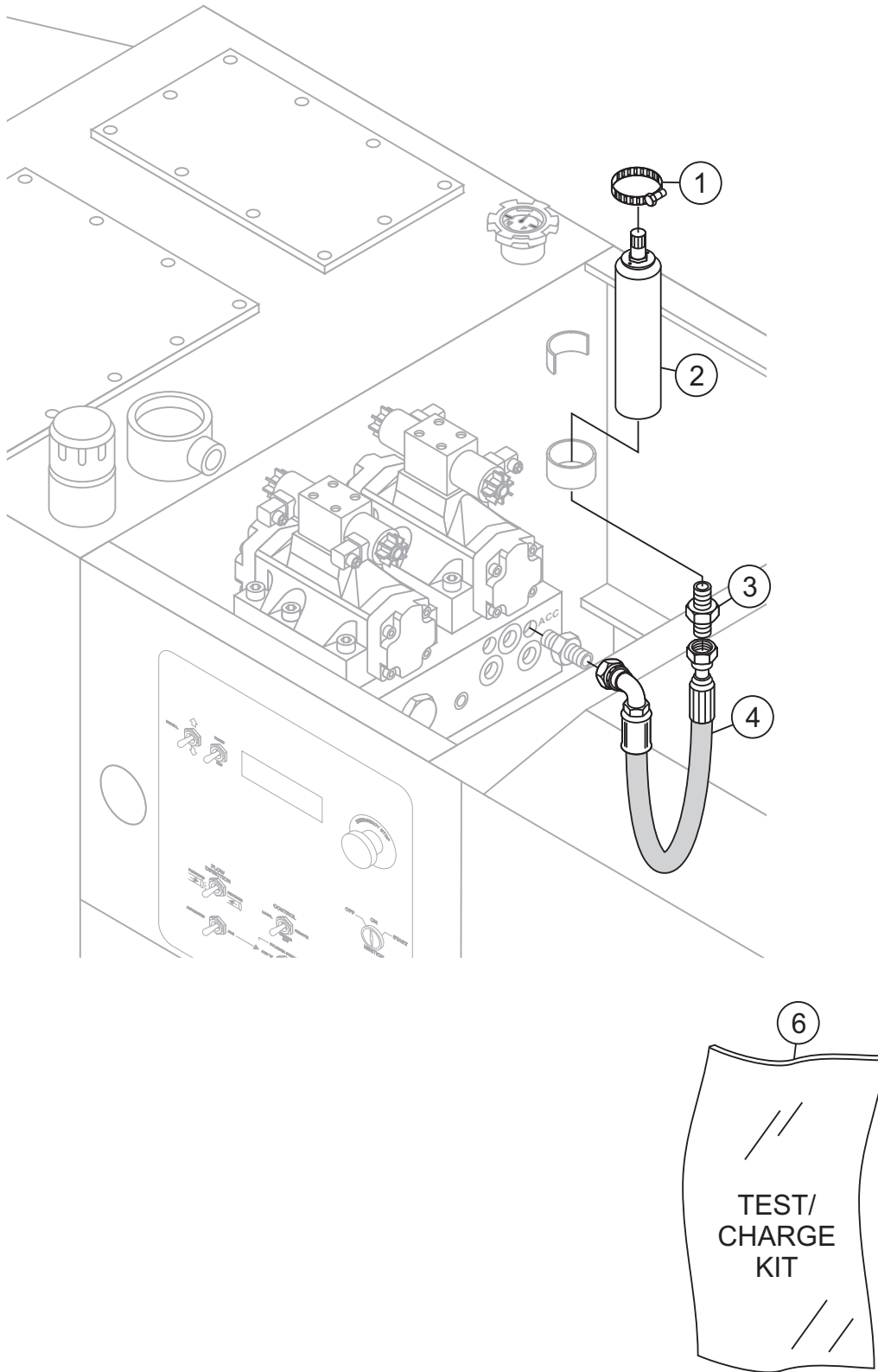
# HEAT EXCHANGER ASSY.



## HEAT EXCHANGER ASSY.

<u>NO.</u>	<u>PART NO.</u>	<u>PART NAME</u>	<u>QTY.</u>	<u>REMARKS</u>
1	EM98118	HEAT EXCHANGER	1	
2	EM516812	COVER, HEAT EXCHANGER	1	
3	EM963610	BOLT 5/16 IN. X 3/4 IN.	4	
4	EM923343	WASHER, LOCK 5/16 IN.	6	
5	EM923023	WASHER, FLAT 5/16 IN.	8	
6	0202	BOLT 5/16 X 1 IN.	2	
7	2105164	NUT 5/16 IN.	4	
8	EM25497	FITTING, 90°	1	
9	518001	HOSE 4000 PSI	1	
10	EM25497	FITTING, 90°	1	
11	518000	HOSE 4000 PSI	1	
12	EM98264	MOTOR AND FAN ASSY	1	

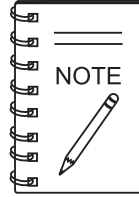
# ACCUMULATOR ASSY.



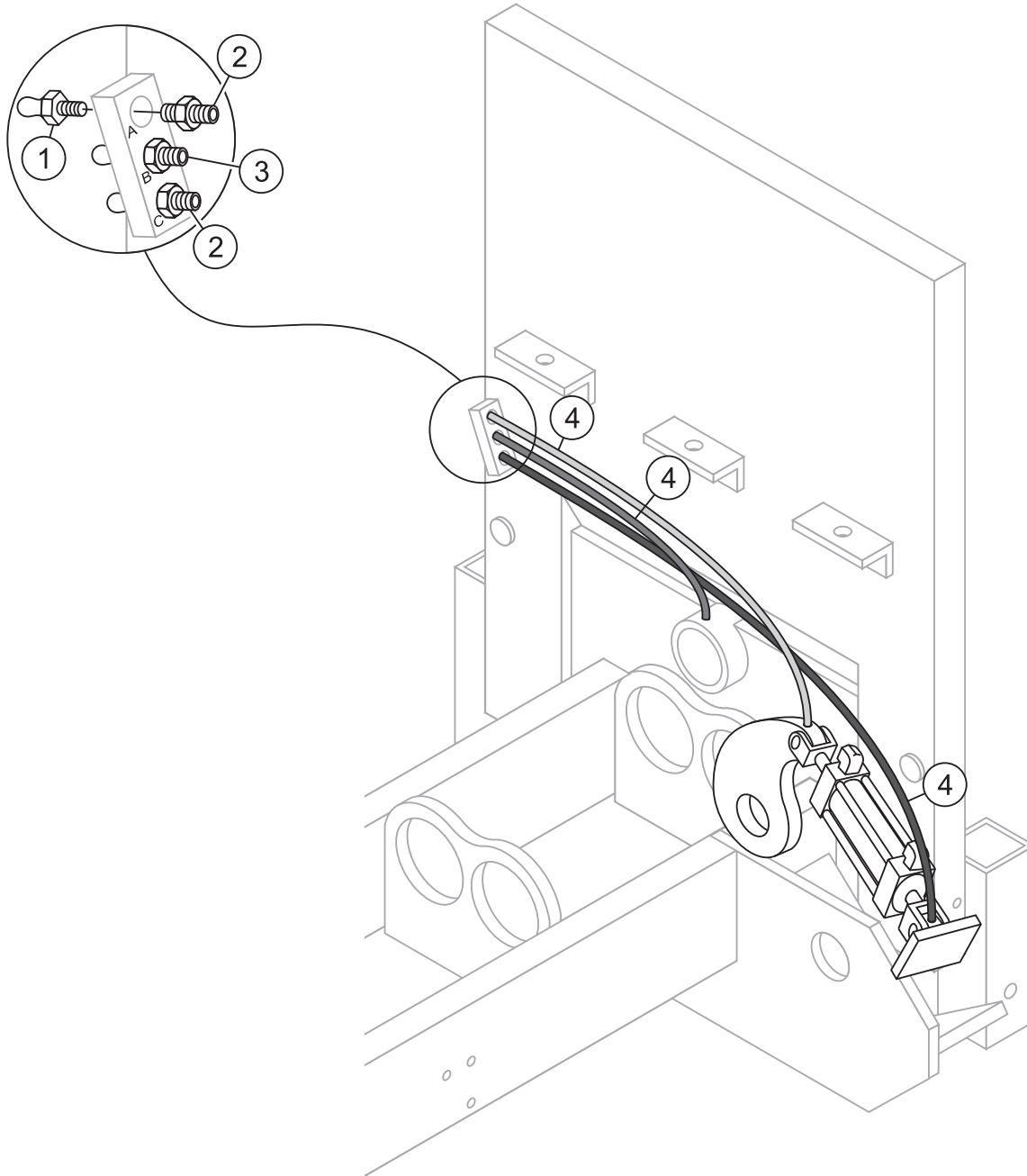
## ACCUMULATOR ASSY.

<u>NO.</u>	<u>PART NO.</u>	<u>PART NAME</u>	<u>QTY.</u>	<u>REMARKS</u>
1	EM513126	CLAMP	1	
2	EM98265	ACCUMULATOR, 1 PINT	1	
3	TBD	FITTING, STRAIGHT 3/8"	1	
4	TBD	HOSE	1	
6	EM98052	TEST/CHARGE KIT, ACCUMULATOR	1	

# LUBRICATION PANEL ASSY.



Grease daily, two or three shots of #2 multipurpose automotive grease. Over greasing any bearing will not damage the machine. **ALWAYS** grease *before and after* pump operation.

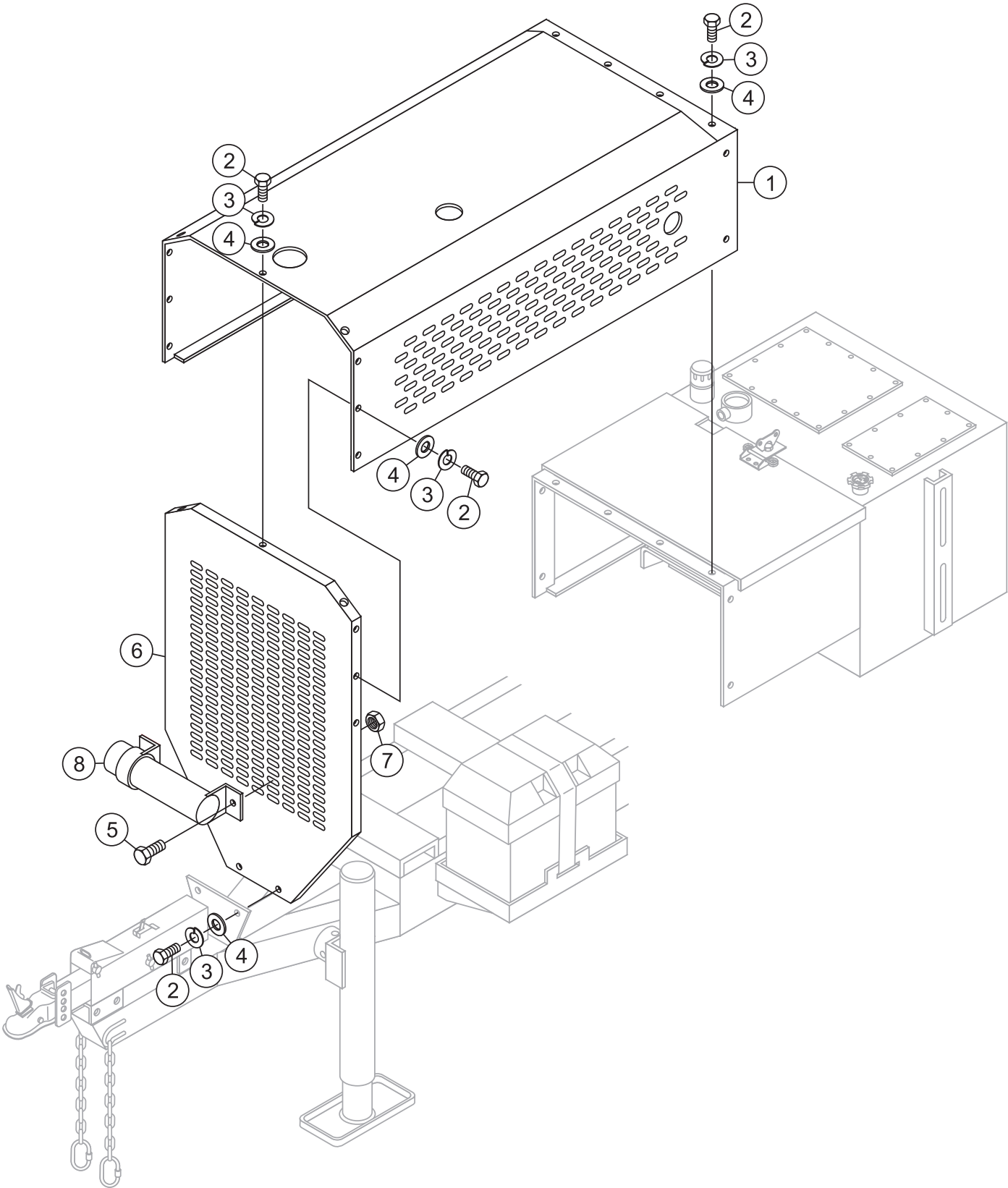


<u>POSITION</u>	<u>LOCATION</u>	<u>LENGTH OF LINES</u>
A .....	CLEVIS GREASE POINT .....	34 in. (1.1 m)
B .....	SWING AXLE BUSHING GREASE POINT .....	26 in. (.85 m)
C .....	PIVOT BRACKET GREASE POINT .....	41 in. (1.5 m)

## LUBRICATION PANEL ASSY.

<u>NO.</u>	<u>PART NO.</u>	<u>PART NAME</u>	<u>QTY.</u>	<u>REMARKS</u>
1	EM491701	GREASE FITTING	3	
2	EM508812	CONNECTOR	2	
3	EM510684	CONNECTOR	1	
4	EM505516	HOSE, PLASTIC	A/R	

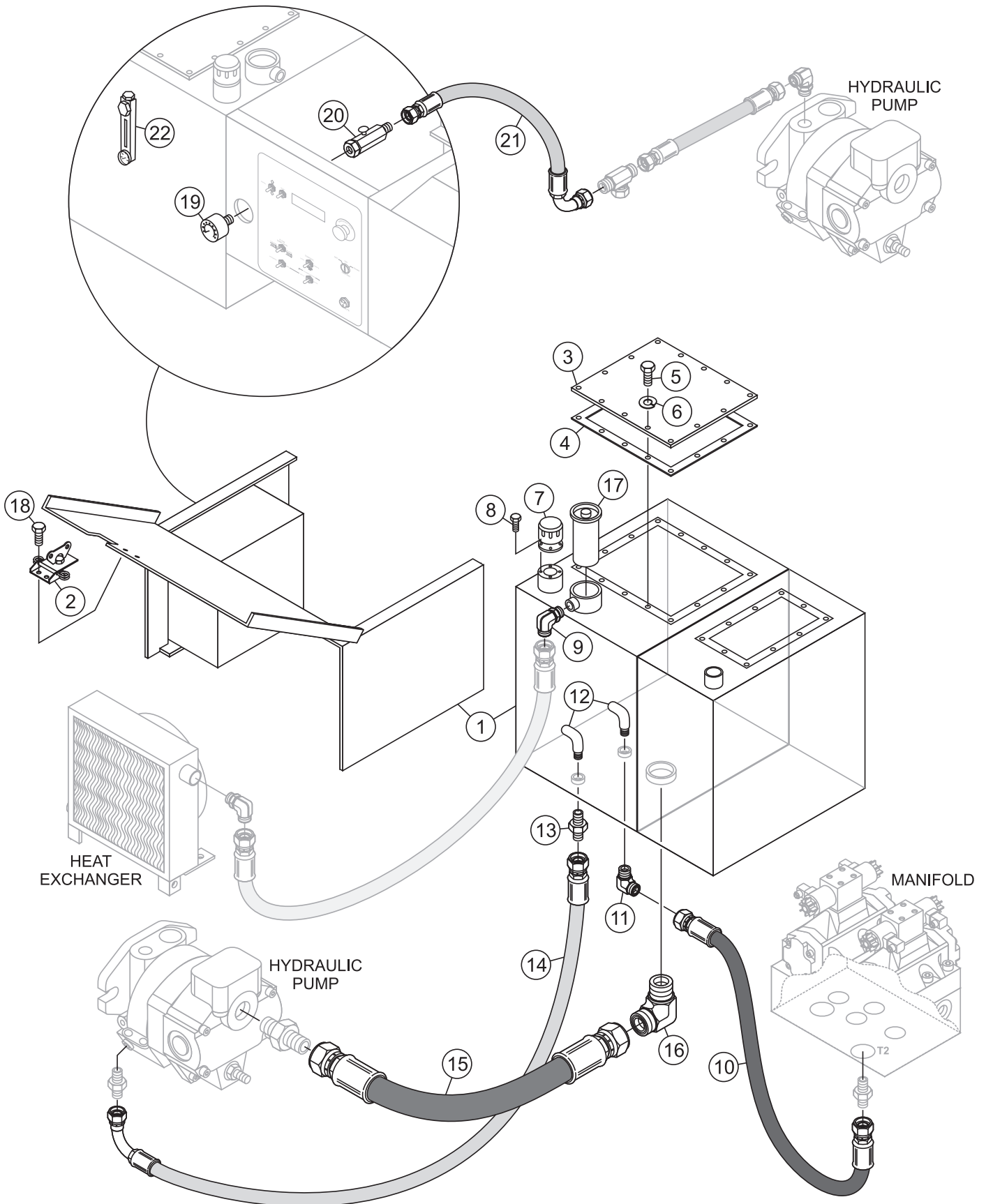
**ENGINE COVER ASSY.**



## ENGINE COVER ASSY.

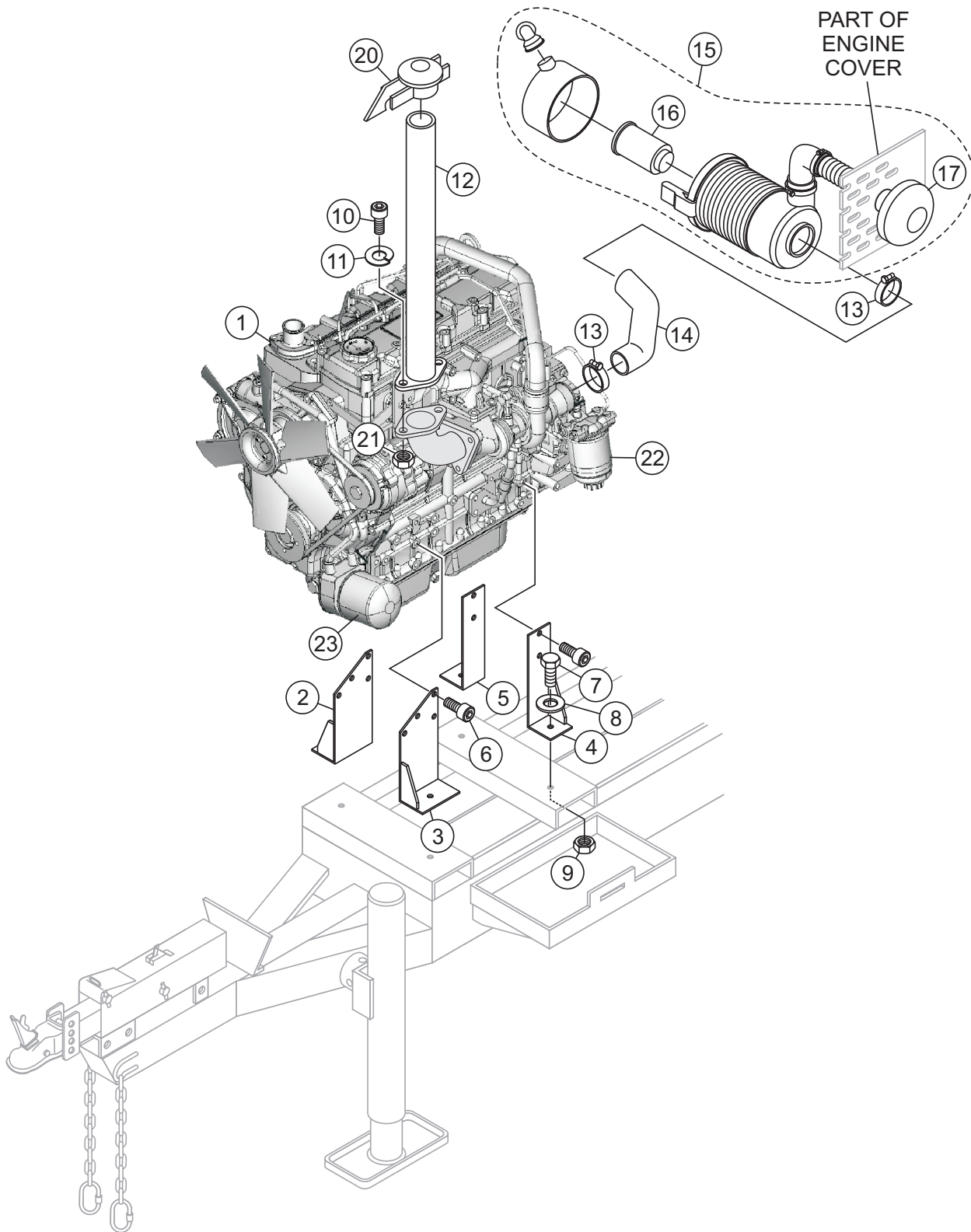
<u>NO.</u>	<u>PART NO.</u>	<u>PART NAME</u>	<u>QTY.</u>	<u>REMARKS</u>
1	EM516904	COVER, TOP	1	
2	492356	BOLT 1/4" NC X 3/4" G5	19	
3	2101402	WASHER, SPRING 1/4 IN.	19	
4	EM923057	WASHER 1/4 IN.	19	
5	492363	BOLT, 5/16" NC 3/4" G5	2	
6	EM516910	COVER, FRONT ENGINE	1	
7	2105164	NUT 5/16"	2	
8	TK6737260	DOCUMENT BOX	1	

# HYDRAULIC TANK ASSY.



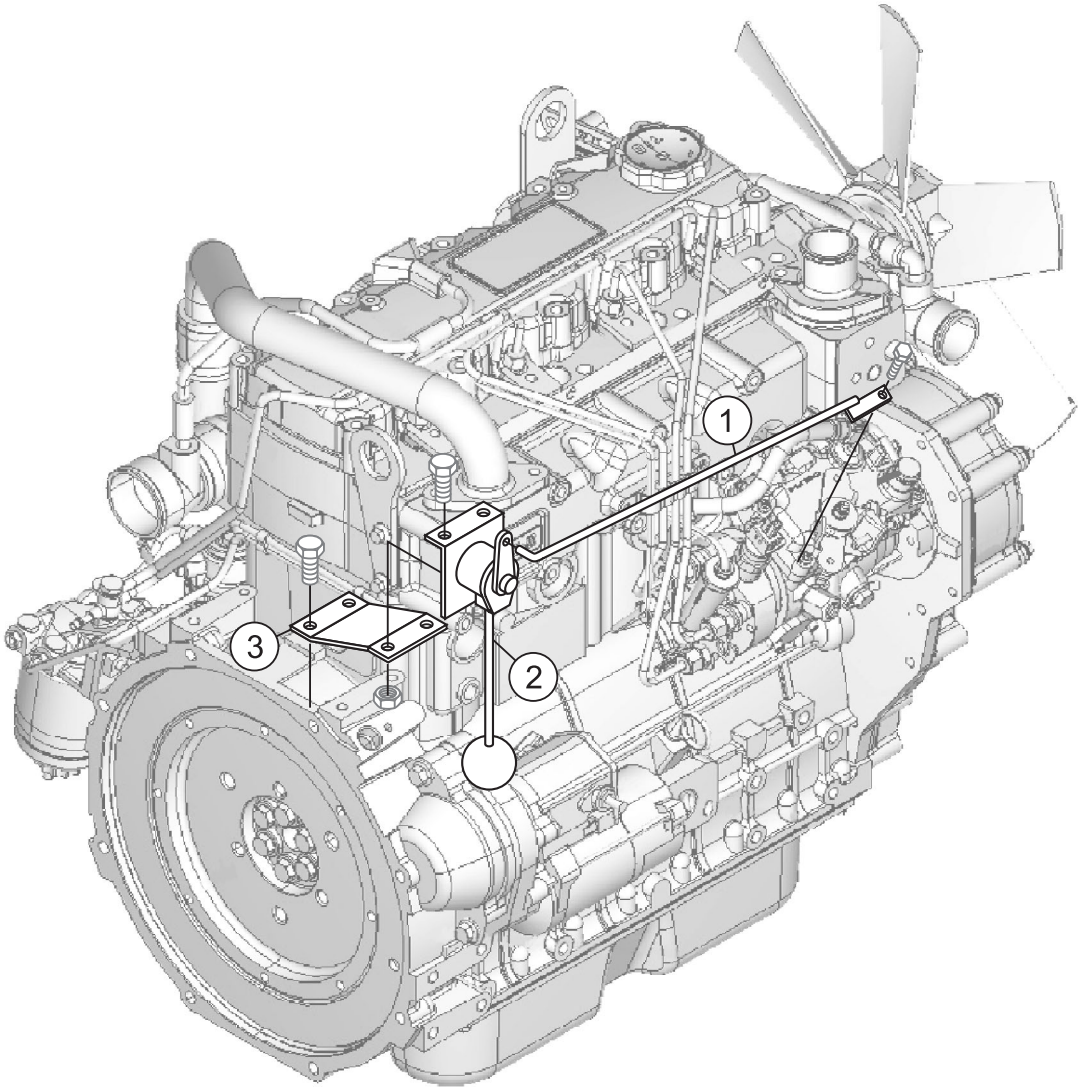
## HYDRAULIC TANK ASSY.

<u>NO.</u>	<u>PART NO.</u>	<u>PART NAME</u>	<u>QTY.</u>	<u>REMARKS</u>
1	516756	HYDRAULIC/FUEL TANK	1	
2	517295	LATCH	1	
3	516870	TANK COVER PLATE	1	
4	516879	RESERVOIR GASKET	1	
5	492362	NUT, 5/16" X 5/8"	14	
6	EM923343	WASHER, LOCK 5/16'	14	
7	EM98263	CAP ASSY.	1	
8	492267	BOLT, ALLEN 10 X 32 X 26	4	
9	516917	FITTING, 90°	1	
10	518010	HOSE	1	
11	518014	FITTING, 90°	1	
12	518190	ELBOW, 3/4"	2	
13	518191	FITTING, STRAIGHT	1	
14	518005	HOSE	1	
15	518011	HOSE	1	
16	518189	FITTING, 90°	1	
17	EM98245	FILTER	1	
18	TBD	BOLT	2	
19	EM97067	GAUGE 5000 PSI, MAIN	1	
20	EM25523	ADAPTOR	1	
21	518008	HOSE	1	
22	EM98188	GAUGE, LEVEL AND TEMPERATURE	1	



# ENGINE ASSY.

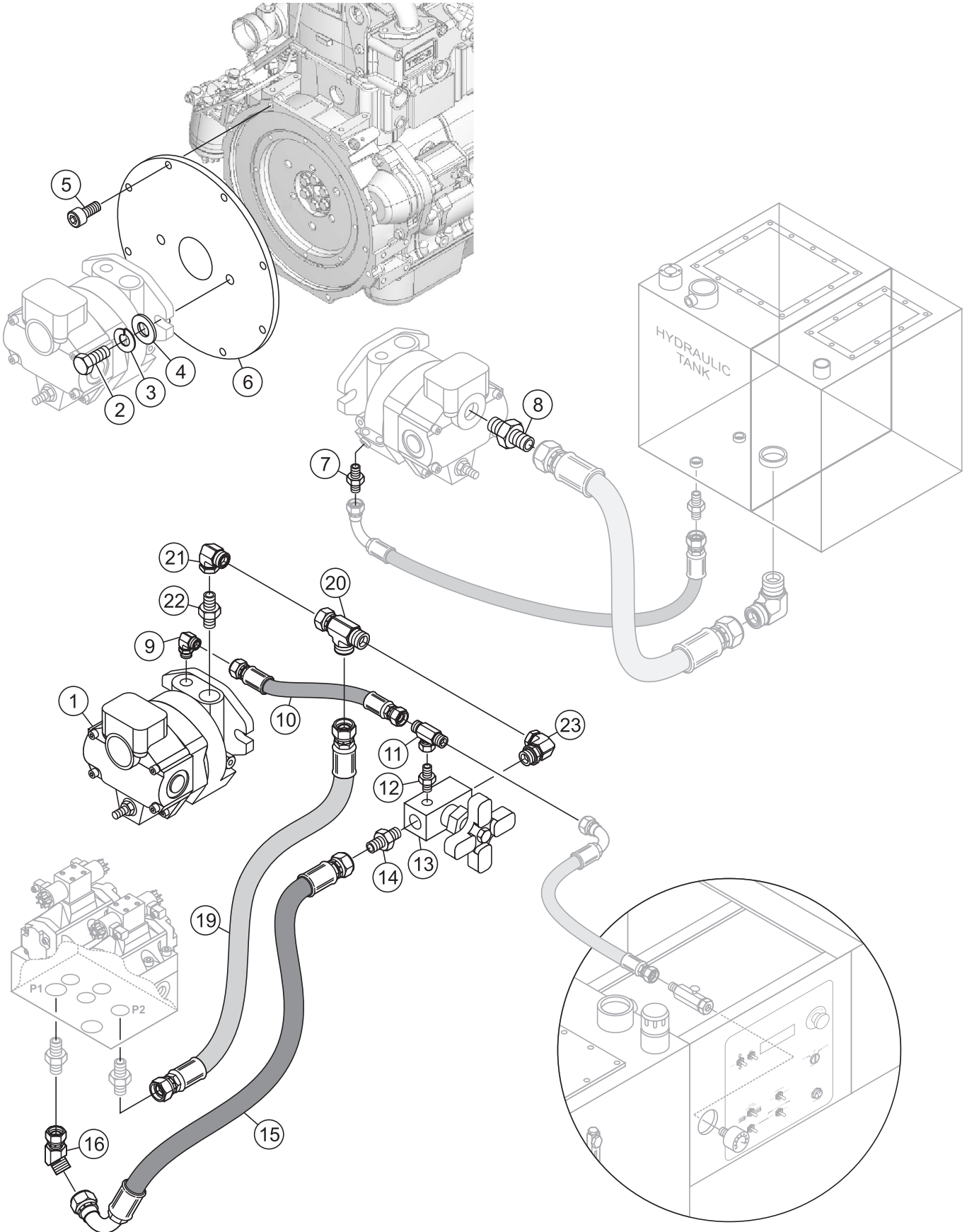
<u>NO.</u>	<u>PART NO.</u>	<u>PART NAME</u>	<u>QTY.</u>	<u>REMARKS</u>
1	EM98241	ENGINE, DEUTZ 66HP TD2009L041	1	
2	TBD	BRACKET, ENGINE MOUNT	1	
3	518021	BRACKET, ENGINE MOUNT	1	
4	518022	BRACKET, ENGINE MOUNT	1	
5	TBD	BRACKET, ENGINE MOUNT	1	
6	TBD	BOLT	12	
7	EM963692	CAPSCREW, 1/2-13 X 1-1/2 HHCS	4	
8	6109180	WASHER, LOCK 1/2"	4	
9	6109160	HEX NUT 1/2-13	4	
10	EM492263	SCREW, ALLEN 3/8-16 X 3/4	2	
11	0166 A	WASHER, LOCK 3/8" MEDIUM	2	
12	517777	PIPE EXHAUST ASSY.	1	
13	TBD	CLAMP	2	
14	EM517549	RUBBER ELBOW	1	
15	04112427	AIR CLEANER ASSY. ....	1	INCLUDES ITEMS W/\$
16\$	04115210	ELEMENT, AIR FILTER	1	
17\$	EM517552	AIR FILTER CAP	1	
20	EM510731	CAP, EXHAUST	1	
21	1456	NUT, HEX FINISH 3/8-16	2	
22	4114220	FUEL FILTER	1	
23	2931095	OIL FILTER	1	



## THROTTLE ASSY.

<u>NO.</u>	<u>PART NO.</u>	<u>PART NAME</u>	<u>QTY.</u>	<u>REMARKS</u>
1	517795	THROTTLE LEVER ROD	1	
2	EM517548	HAND CONTROL	1	
3	517796	BRACKET, THROTTLE	1	

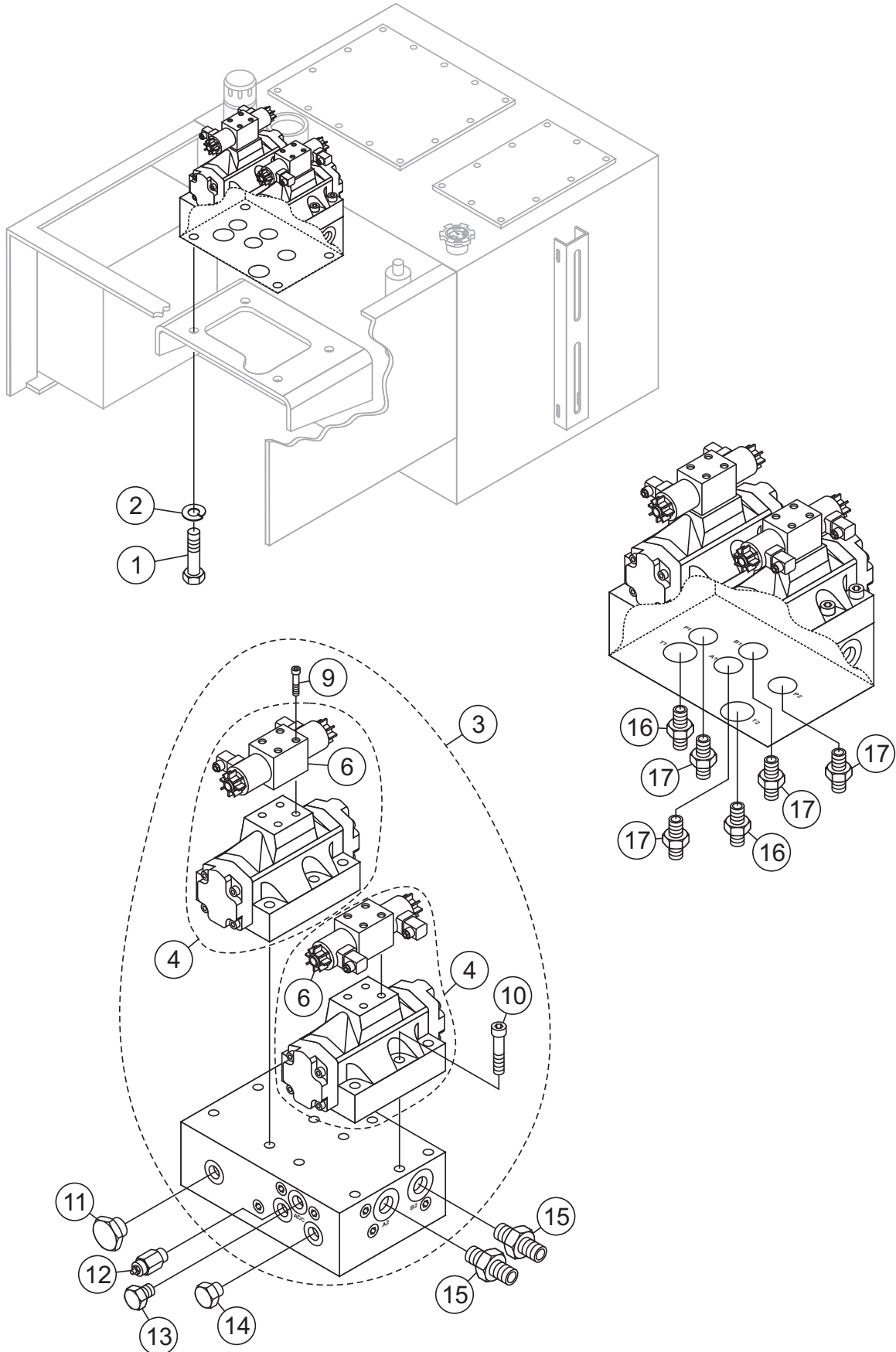
# HYDRAULIC PUMP ASSY.



## HYDRAULIC PUMP ASSY.

<u>NO.</u>	<u>PART NO.</u>	<u>PART NAME</u>	<u>QTY.</u>	<u>REMARKS</u>
1	EM98242	PUMP, HYDRAULIC	1	
2	510902	SCREW	2	
3	6109180	WASHER, LOCK 1/2"	2	
4	TBD	WASHER	2	
5	EM269	SCREW, HDCS M10 X 30MM	8	
6	EM98254	COUPLING, FLYWHEEL	1	
7	516916	FITTING, STRAIGHT	1	
8	512910	FITTING, STRAIGHT	1	
9	511808	FITTING, 90°	1	
10	516875	HOSE	1	
11	518031	FITTING, TEE	1	
12	518032	FITTING, STRAIGHT	1	
13	517624	FLOW CONTROL VALVE	1	
14	TBD	FITTING, STRAIGHT	1	
15	517999	HOSE	1	
16	518198	FITTING, 45°	1	
19	518104	HOSE	1	
20	518194	FITTING, TEE	1	
21	509353	FITTING, 90°	1	
22	EM25462	FITTING, STRAIGHT	1	
23	518193	FITTING, 90°	1	

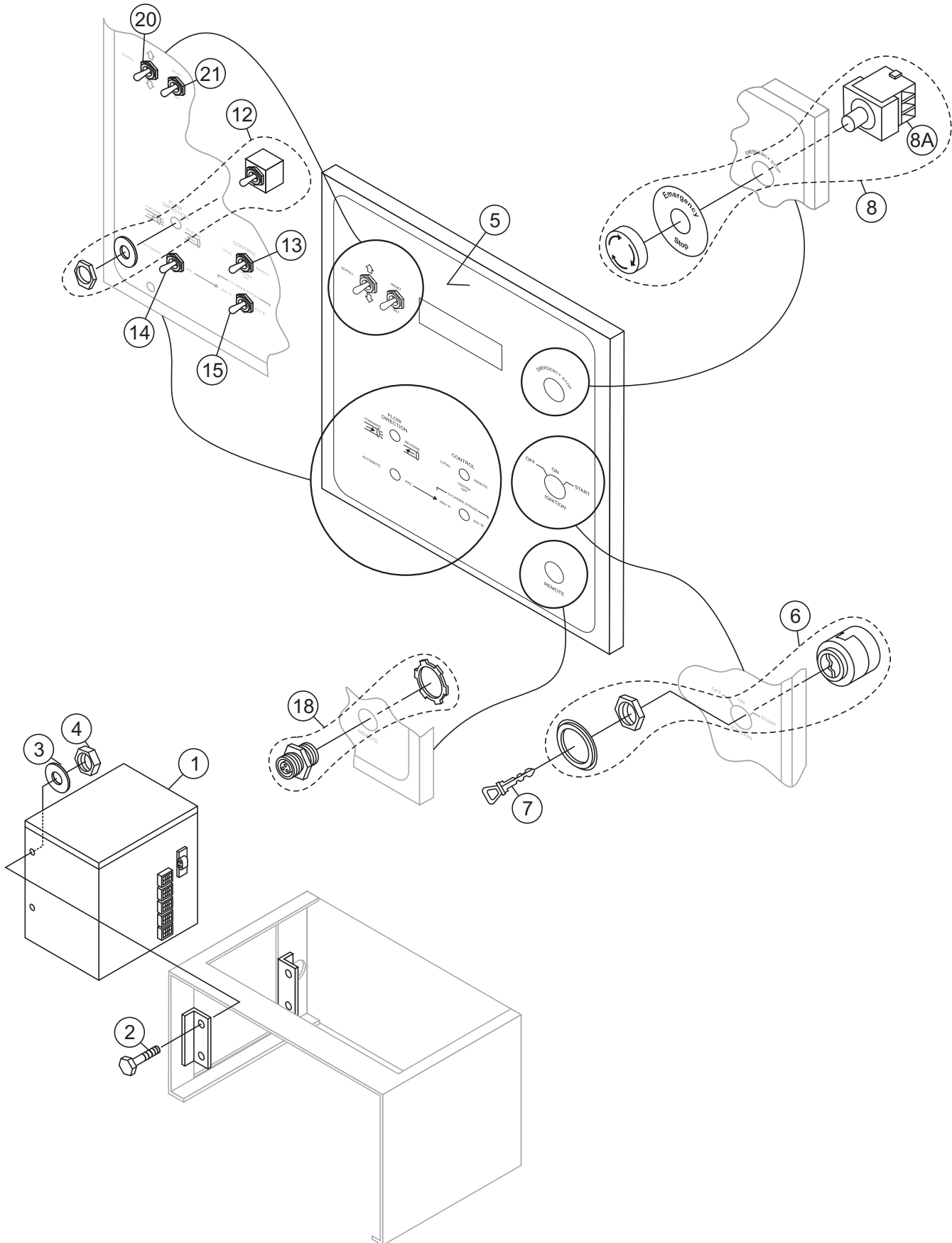
# MANIFOLD ASSY.



# MANIFOLD ASSY.

<u>NO.</u>	<u>PART NO.</u>	<u>PART NAME</u>	<u>QTY.</u>	<u>REMARKS</u>
1	TBD	BOLT	4	
2	TBD	WASHER, LOCK	4	
3	EM98243	MANIFOLD ASSY. ....	1	INCLUDES ITEMS W/%
4%	EM98221	VALVE, MAIN D08 W/PILOTS	2	
6	EM98222	PILOT VALVE, SHUTTLE	2	
7	TBD	PILOT VALVE, MAIN CYLINDER	1	
9	TBD	BOLT	8	
10	TBD	BOLT, SHCS 1/2-13 X 2"	12	
11	CVH161P65	CHECK VALVE, PARKER	1	
12	EM98226	RELIEF VALVE, SUN	1	
13	TBD	PLUG	1	
14	CVH081P	CHECK VALVE, PARKER	1	
15	512201	ADAPTER	2	
16	516916	ADAPTER	2	
17	EM491372	ADAPTER	4	

# CONTROL BOX ASSY.

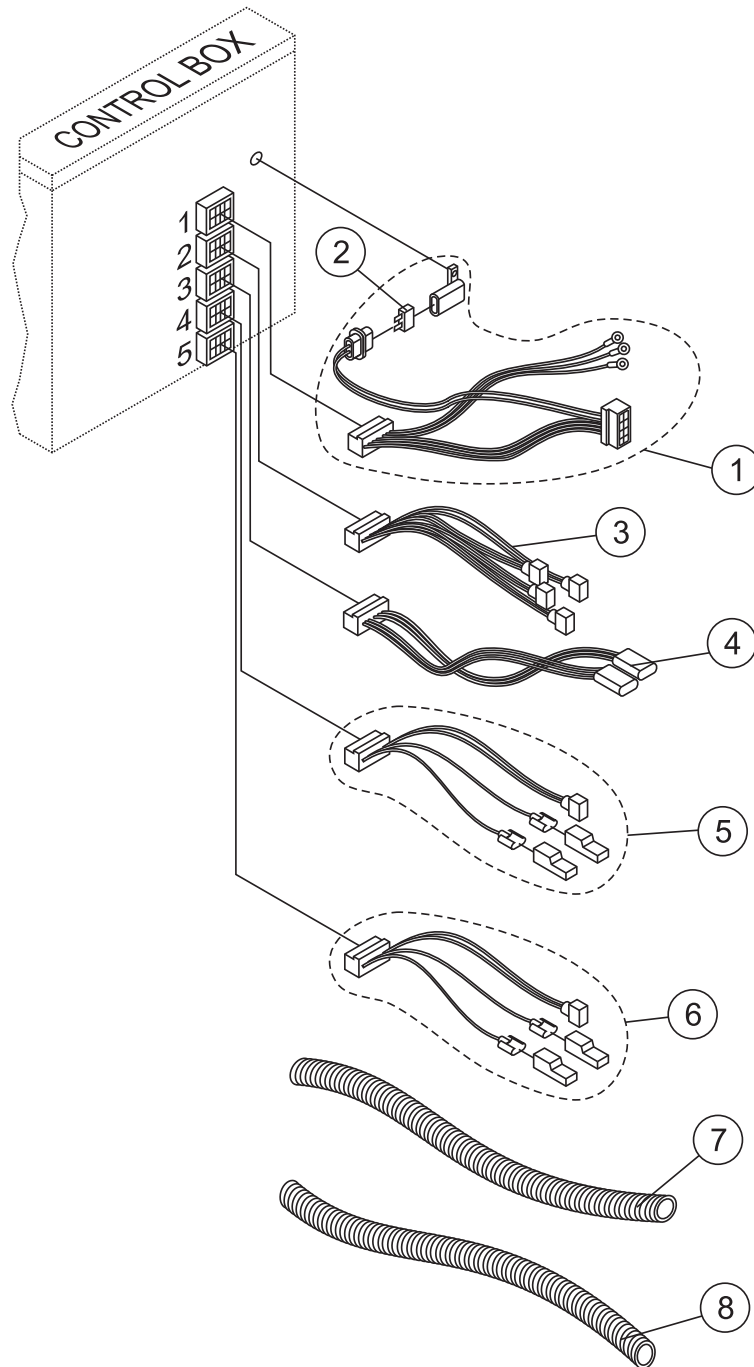


# CONTROL BOX ASSY.

## CONTROL BOX ASSY.

<u>NO.</u>	<u>PART NO.</u>	<u>PART NAME</u>	<u>QTY.</u>	<u>REMARKS</u>
1	EM517648	CONTROL BOX ASSY	1	
2	0202	BOLT 5/16 X 1 IN.	4	
3	EM923023	WASHER, FLAT 5/16 IN.	4	
4	2105164	NUT 5/16 IN.	4	
5	TBD	OVERLAY, CONTROL PANEL	1	
6	EM98206	IGNITION SWITCH ASSY.	1	
7	EM98206K	KEY, IGNITION	1	
8	EM517177	EMERGENCY STOP SWITCH ASSY.	1	
8A	EM517186	CONTACT BLOCKS, EMERGENCY SWITCH	3	
12	EM98120	FLOW DIRECTION SWITCH ASSY.	1	
13	EM98119	MAIN CONTROL SWITCH ASSY.	1	
14	EM98121	AUTO/JOG SWITCH ASSY.	1	
15	EM98122	JOG A/B SWITCH ASSY.	1	
18	EM97068	RECEPTACLE, REMOTE	1	
20	EM98122	SCROLL SWITCH ASSY.	1	
21	EM98122	RESET SWITCH ASSY.	1	

# CONTROL BOX HARNESS ASSY.



## CONTROL BOX HARNESS ASSY.

<u>NO.</u>	<u>PART NO.</u>	<u>PART NAME</u>	<u>QTY.</u>	<u>REMARKS</u>
1	EM517992	WIRE HARNESS 1	1	
2	344102000	FUSE, 30 AMP	1	
3	EM517993	WIRE HARNESS 2	1	
4	EM517994	WIRE HARNESS 3	1	
5	EM518023	WIRE HARNESS 4	1	
6	EM518024	WIRE HARNESS 5	1	
7	509588	POLY FLEX TUBE 1/2 IN. BLACK	AR	
8	16716	CONDUCTIVE DIVIDER 3/8 IN.	AR	