



REPLACEMENT PARTS LIST

PART NAME	PART No.	
1	Power Cable	S710-01
2	1HP Brush Motor Universal (includes Motor Cable)	171002
3	Motor Shaft Pulley	S710-03
4	Motor Adjustment Clip	S710-04
5	Mounting Plate	S710-05
6	Belt Guard Bracket	S710-06
7	Timing T Shape Belt	S710-07
8	Belt Guard	S710-08
9	Belt Guard Screws, Spring Washers, Washers (set of 4)	S700-10
10	Blade Shaft	S1000-13
11	Blade Shaft Pulley	S710-11
12	Sliding Rails (set of 2)	170012
13	Water Pump	S700-28
14	MasterGuide Detachable Ruler Guide	S1000-MG2
15	Mounting Plate Adjustment Knob	100021
16	Rear Support Post (included in Metal Frame & Motor Support Shaft)	170016
17	Inner Flange Bearing	S1000-12.1
18	Polypropylene Water Tray	170017
18.1	Drain Plug	V35015
19	Motor Protection Cover	S710-19
20	Bearing Housing Lock Bolts and Nuts	0329SP
21	Bearing Housing Secure Brackets (set of 2)	S1000-49
22	Pulley Bearing	S1000-12
23	Inner Flange	S700-20
24	Outer Flange	S700-22
25	Blade Lock Nut	S1000-17
26	Cutting Table Position Braquet	170030
27	U-Shape Ball Bearing Rollers (set of 2)	S1000J-24
28	Miter Block (Metal)	S700-34
29	Universal Wrench	S1000-41
30	45°/90° Rip Guide	S1000-35
31	180° Adjustable Angle Guard	S1000-44
32	MasterGuide Muiltiangle Guide	S1000-MG
33	Basic E.D.I. System (w/Power Switch, Circuit Breaker & Power Cable)	130001
34	Power Toggle Switch	S1000-03
35	Circuit Breaker	S710-35
36	Water Flow "T" Adapter	S1000-20
37	Water Flow "L" Adapter	S1000-45N
38	Blade Guard Adjustment Knob	100018

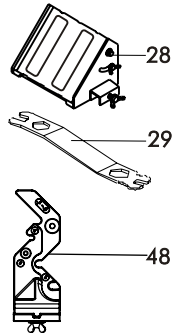
PART NAME	PART No.	
39	Blade Guard	S700-02
40	Teflon Angle Bar Rollers (set of 2)	S1000-25
41	Cutting Table (Includes Wheels & Ruler Guide)	S1000J-23
42	Ruler Guide	170027
43	Saw Stand with Workbench	S700-13
44	Complete LCBH	130023
45	Rubber Splash Guard	S700-37
46	Carbon Brushes (set of 2)	S710-46
47	Brush Cap	S710-47
48	MasterGuide Template Base	S1000-MG1
49	Rear Post Cover	171027


 Note: If there is any part that is needed and has not been included in this parts list, please contact our customer service at 1-866-501-1683.

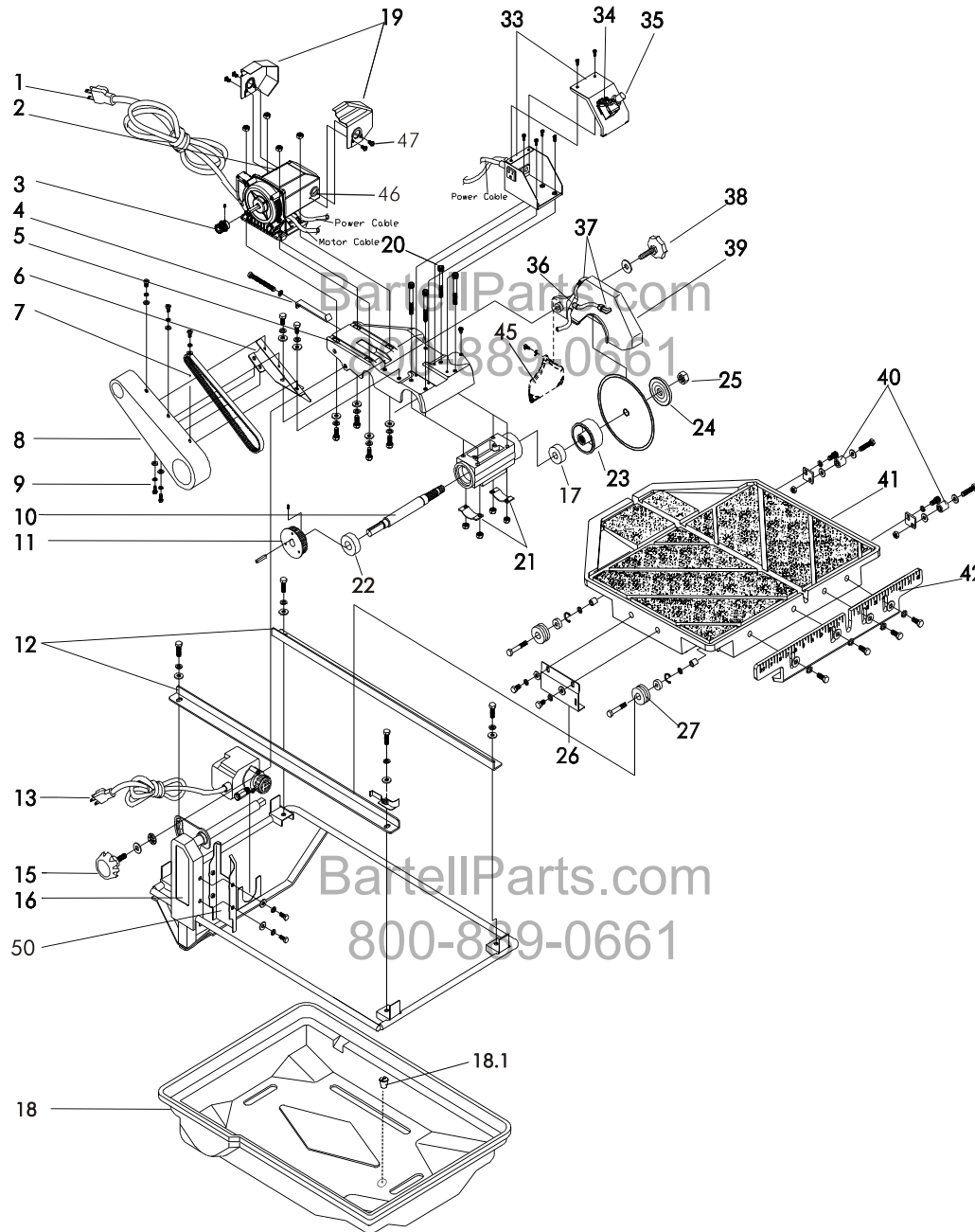
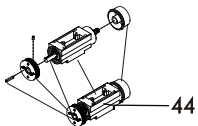

 28

SAW EXPLODED VIEW

Accessories Included

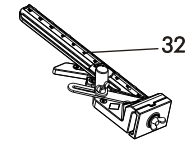


LCBH Bearing Housing Package

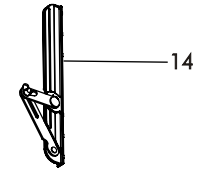


OPTIONAL:

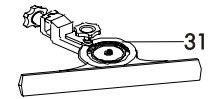
MASTERGUIDE 45°/90°



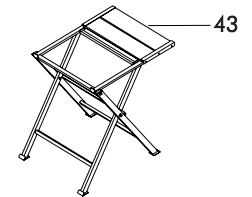
DETACHABLE RULER GUIDE (Requires Template Base)



180° ANGLE GUIDE



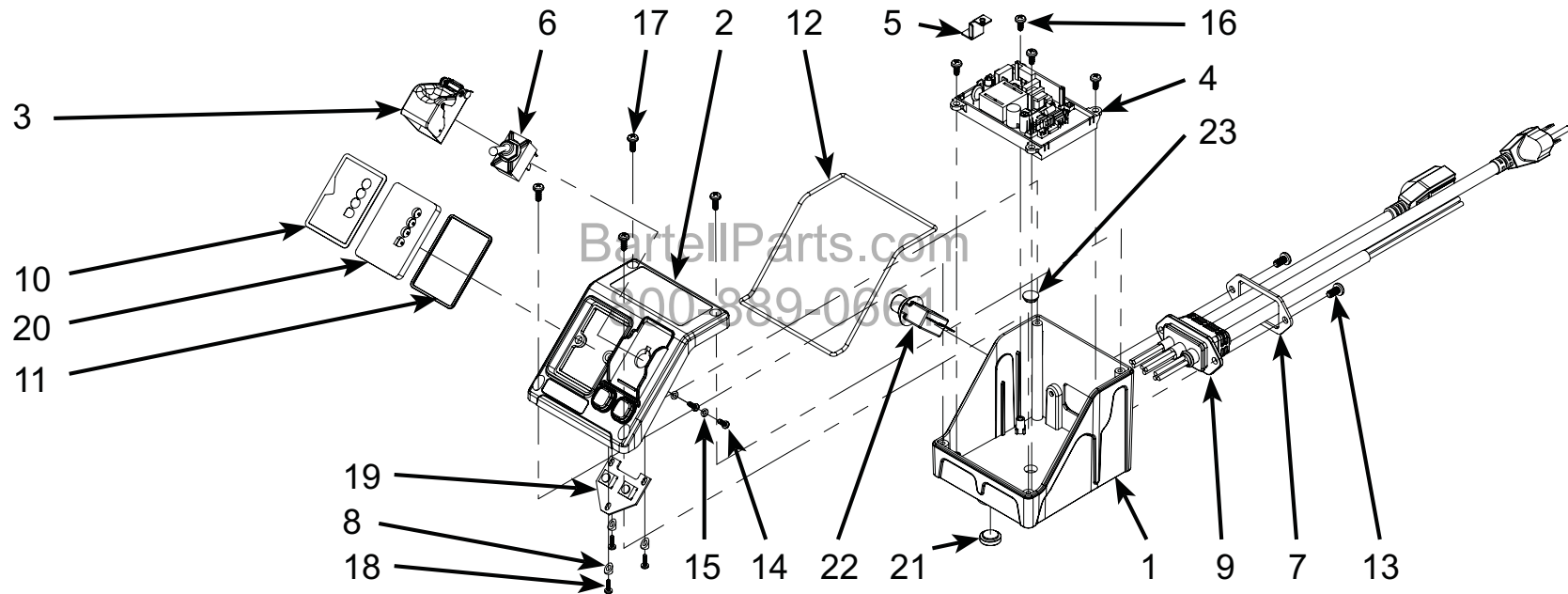
SAW STAND WITH WORKBENCH



45°/90° RIP GUIDE



BASIC E.D.I. SYSTEM EXPLODED VIEW



DESCRIPTION	PART NO	DESCRIPTION	PART NO
1. Switch box	130026	12. Housing gasket ring	130034
2. Switch box cover	130027	13. M5 x 0.8 x 10L Cross screw	420121
3. Power switch shield	100003	14. M3 x 1.06 x 10L Cross tapping screw	130035
4. PC Board with plastic mount	130028	15. M3 Narrow washer	130036
5. Grounding plate	130044	16. M4 x 1.59 x 10L Cross tapping screw	130037
6. 15A/125V Toggle switch	S1000-03	17. M4 x 1.59 x 12L Cross tapping screw	130038
7. Cable sandwich plate	130029	18. M2.5 x 0.91 x 10L Cross tapping screw	130039
8. Plastic leveling spacer	130030	19. Push button PC board	130040
9. 2 x 14AWG, 1 x 18AWG Tri-cable unibody w/gland	130031	20. LED Panel backing	130041
10. Basic E.D.I. System LED panel decal	230151	21. Pathway plug (large)	130042
11. LED Panel gasket ring	130033	22. 18A/125V Circuit breaker	141038
		23. Pathway plug (small)	130043