

BEF320-2A

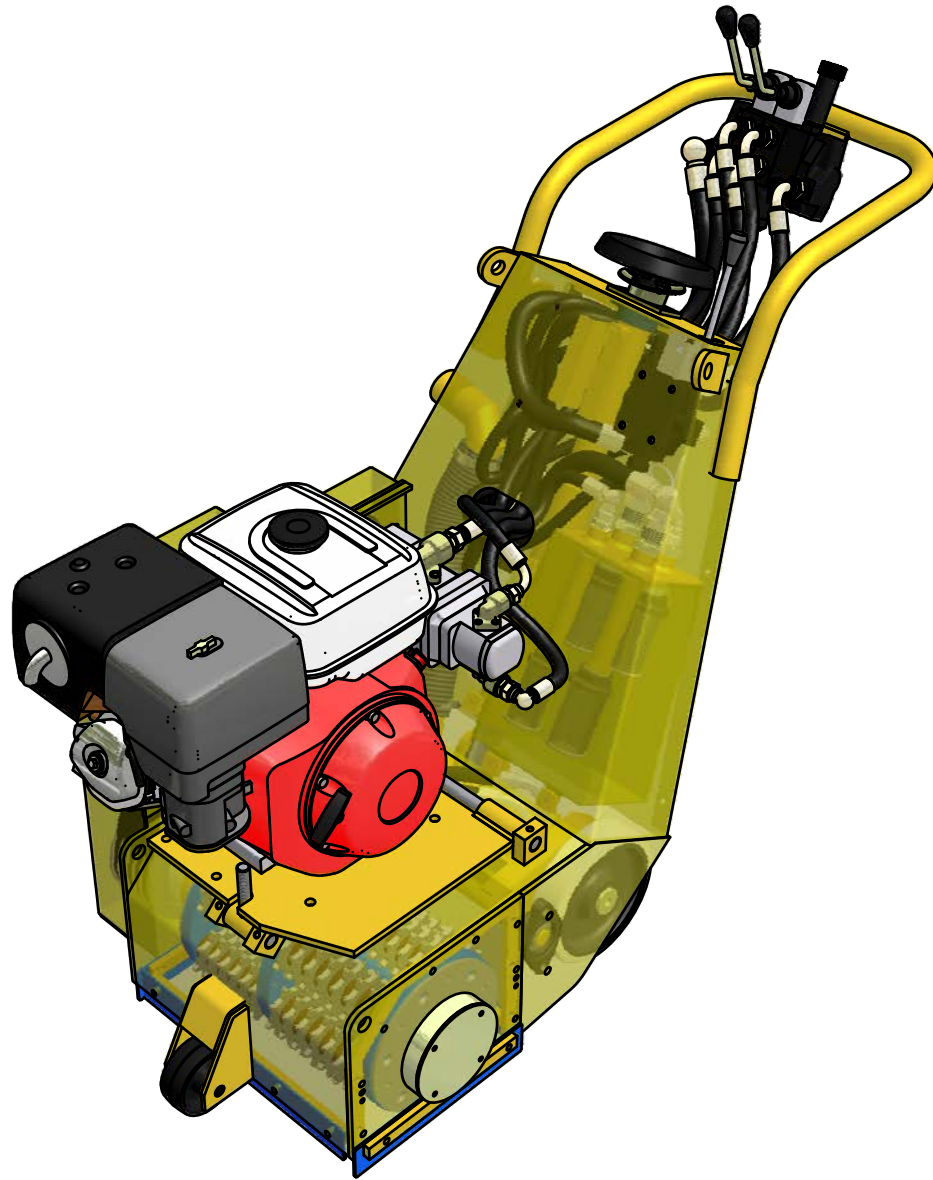
Operating Manual

This manual is provided to persons purchasing an SPE machine and may not be reproduced in part or full without written permission of SPE International Ltd.






This manual provides the basic information required and is only to be used as a guideline.
The SPE machines are manufactured and covered by SPE design registrations granted and pending.
SPE International Ltd reserves the right to alter the equipment design and specification as required without notice.

The SPE product range is subject to amendment and improvement as a result of on going research







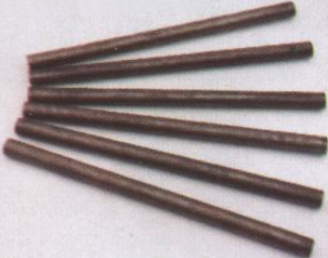
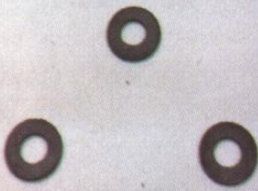

ACCESSORIES

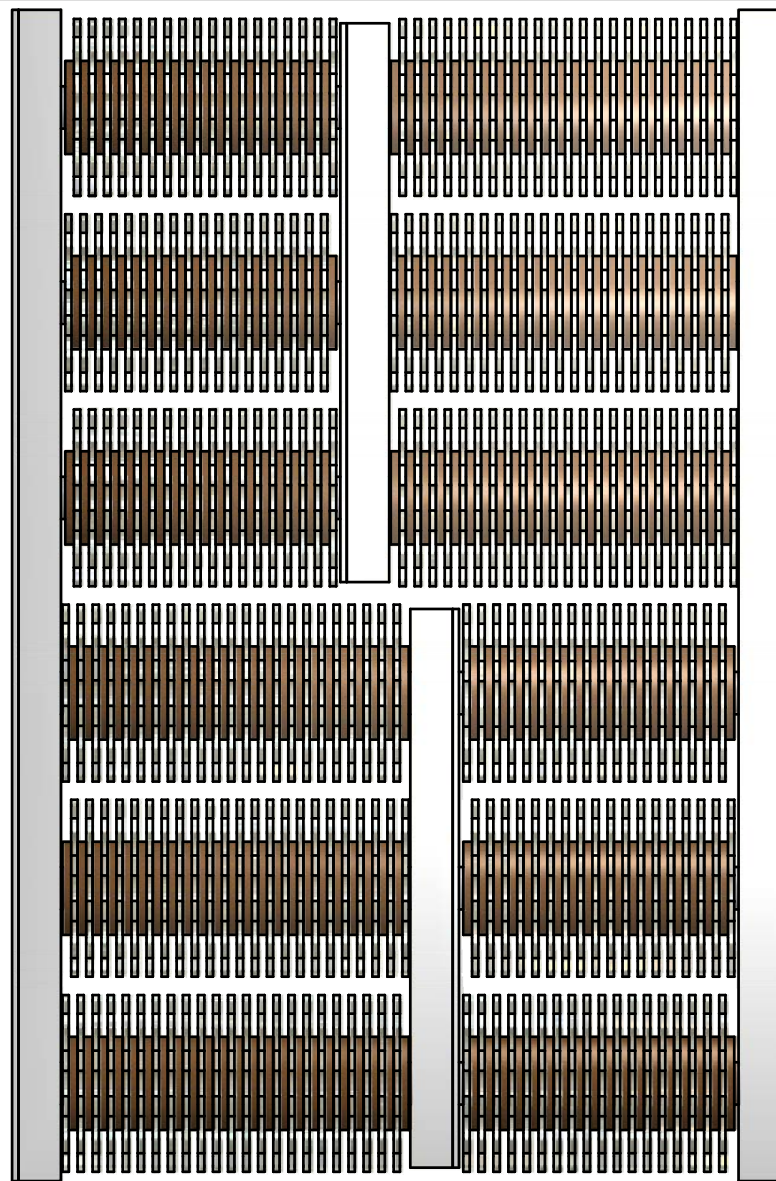
	Part number	Description	Application
	32001	Heavy duty drum complete with T.C.T. cutters and spacers.	Hardened steel cutter with tungsten inserts, for all concrete texturing, scabbling, planing and grooving applications. Removal of bridge deck and car park membranes, heavy industrial contamination, epoxy coatings and road markings. Use on heavy applications for longer life and higher output.
	32002	Heavy duty drum complete with beam flails	Heat treated steel cutter for the removal of paint coatings and laitence from new floors. Also used for removing of grease build ups, dirt and ice deposits, keying and light scabbling of concrete when a "fine textured" surface is required.
	32003	Heavy duty drum complete with milling cutters and spacers.	For the removal of thermoplastic road/runway markings. Very efficient and cost effective with none of the problems associated with burning off thermoplastics. Also for removal of bituminous materials and rubber deposits.
	80800	T.C.T. Cutter: 8 point hardened steel cutter with tungsten carbide insert.	For all concrete texturing scabbling, planing and grooving applications. Removal of bridge deck and car park membranes, heavy industrial contamination, epoxy coatings and road markings. Use on heavy applications for longer life and higher output.
	80120	Beam cutter: Heat treated steel cutter.	For the removal of paint coatings and laitence from new floors. Also used for the removing of grease build ups, dirt and ice deposits, keying and light scabbling of concrete when a "fine textured" surface is required.



BEF320-2A
Operating Manual

ACCESSORIES

	<p style="text-align: center;">20mm 80600N</p>	<p>Milling cutter: Tipped with tungsten carbide.</p>	<p>For the removal of thermoplastic road/runway markings, rubber based deposits and cold plastic coatings from asphalt and concrete.</p>
	<p style="text-align: center;">32000</p>	<p>Heavy duty drum complete with flail shafts.</p>	<p>For use with various cutter configurations.</p>
	<p style="text-align: center;">32020</p>	<p>Heavy duty flail shaft.</p>	<p>Hardened cutter shaft.</p>
	<p style="text-align: center;">40240</p>	<p>Spacing washer.</p>	<p>Hardened spacing washer.</p>
	<p style="text-align: center;">3049</p>	<p>Hardened Bush.</p>	<p>Hardened drum inserts to carry flail shafts.</p>



Parts List		
QTY	PART NUMBER	DESCRIPTION
246	40240	Spacer
246	80120	Beam Flail

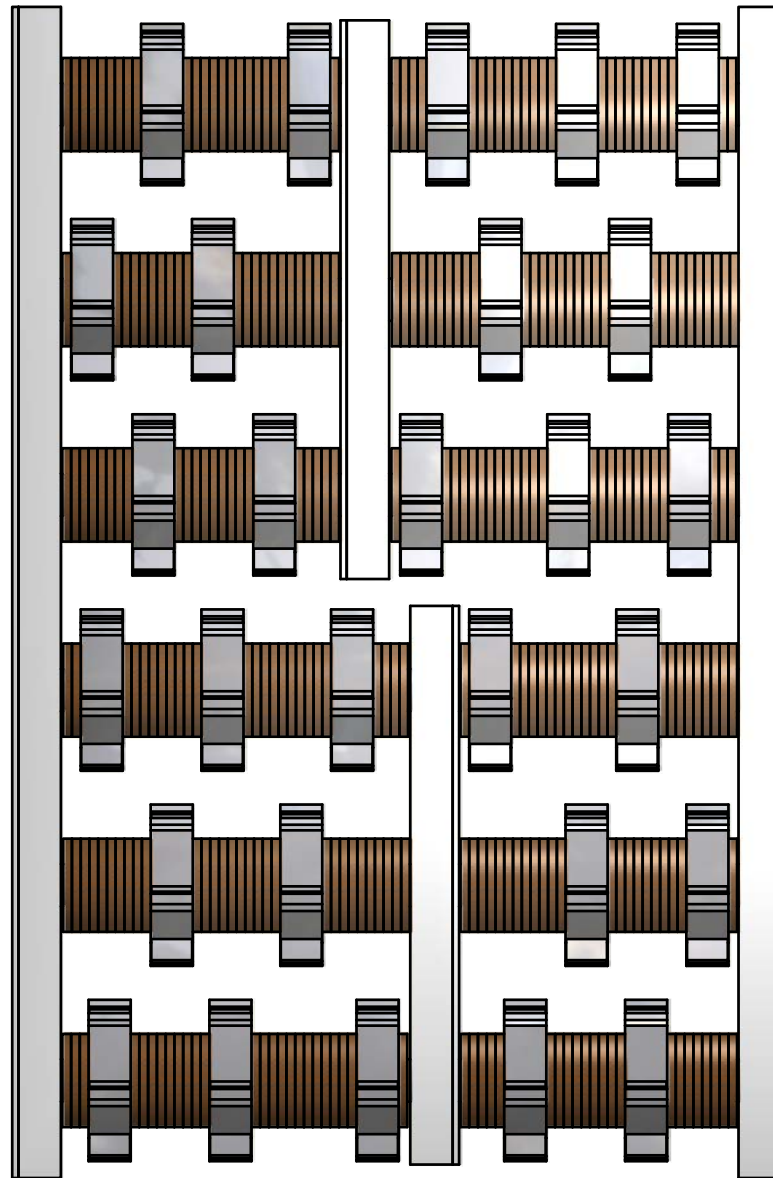
This drawing should not be used, copied, shown or handed to a third party without the prior written consent of SPE International Ltd.



SPE International Limited
 Honeyholes Lane, Dunholme
 Lincoln, LN2 3SU, England
 Tel: +44 (0) 1673 860 709
 or +44 (0) 1673 860 330
 Fax: +44 (0) 1673 861 119
 Web Site: <http://www.spe-int.com>
 E-mail: sales@spe-int.com

**THIS DRAWING IS THE CONFIDENTIAL COPYRIGHT
 PROPERTY OF SPE INTERNATIONAL LIMITED**

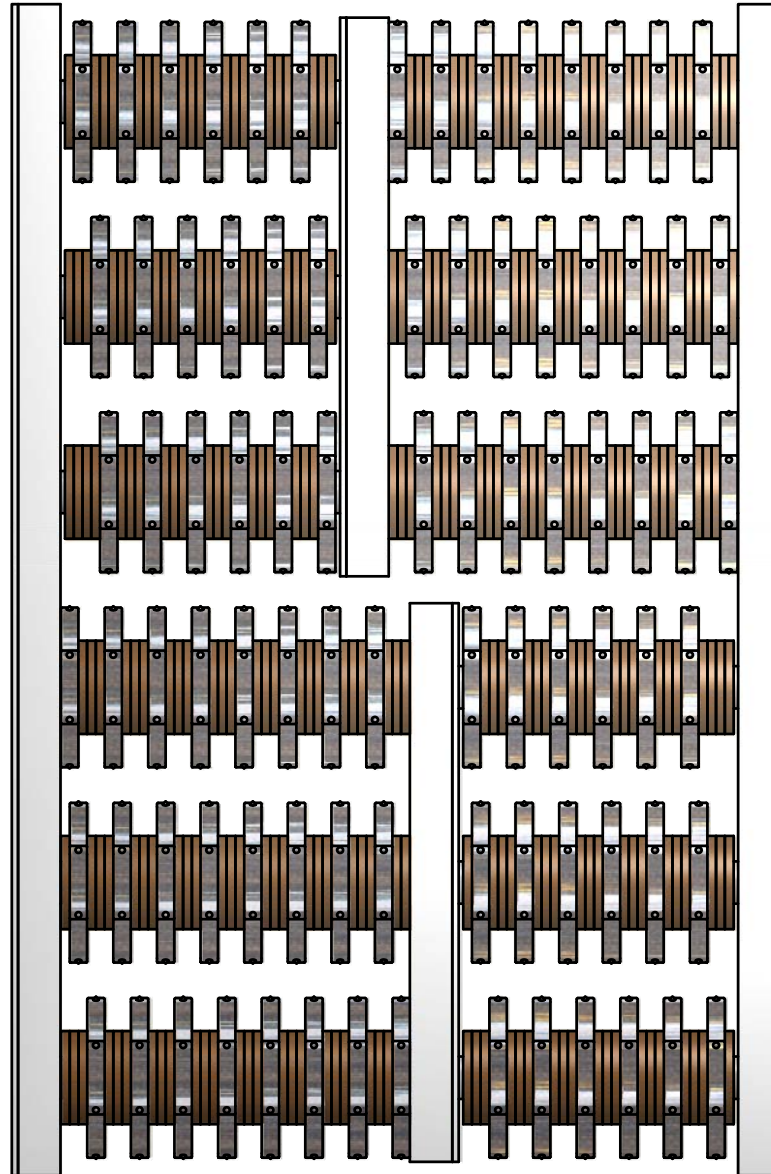
Drawn	TITLE Drum c/w Beam Flails	
D.G.A.		
Checked	Drawing No.	MACHINE
P.A.	BEF-320_Drum-BF	BEF 320



Parts List		
QTY	PART NUMBER	DESCRIPTION
292	40240	Spacer
28	80600N	Milling Cutter

This drawing should not be used, copied, shown or handed to a third party without the prior written consent of SPE International Ltd.

			<small>SPE International Limited Honeyholes Lane, Dunholme Lincoln, LN2 3SU, England Tel: +44 (0) 1673 860 709 or +44 (0) 1673 860 330 Fax: +44 (0) 1673 861 119 Web Site: http://www.spe-int.com E-mail: sales@spe-int.com</small>
THIS DRAWING IS THE CONFIDENTIAL COPYRIGHT PROPERTY OF SPE INTERNATIONAL LIMITED			
Drawn	TITLE Drum c/w Milling Cutters		
D.G.A.			
Checked	Drawing No.	MACHINE	
P.A.	BEF-320_Drum-MC	BEF 320	



Parts List		
QTY	PART NUMBER	DESCRIPTION
258	40240	Spacer
84	80800	TCT Cutter

This drawing should not be used, copied, shown or handed to a third party without the prior written consent of SPE International Ltd.



SPE International Limited
 Honeyholes Lane, Dunholme
 Lincoln, LN2 3SU, England
 Tel: +44 (0) 1673 860 709
 or +44 (0) 1673 860 330
 Fax: +44 (0) 1673 861 119
 Web Site: <http://www.spe-int.com>
 E-mail: sales@spe-int.com

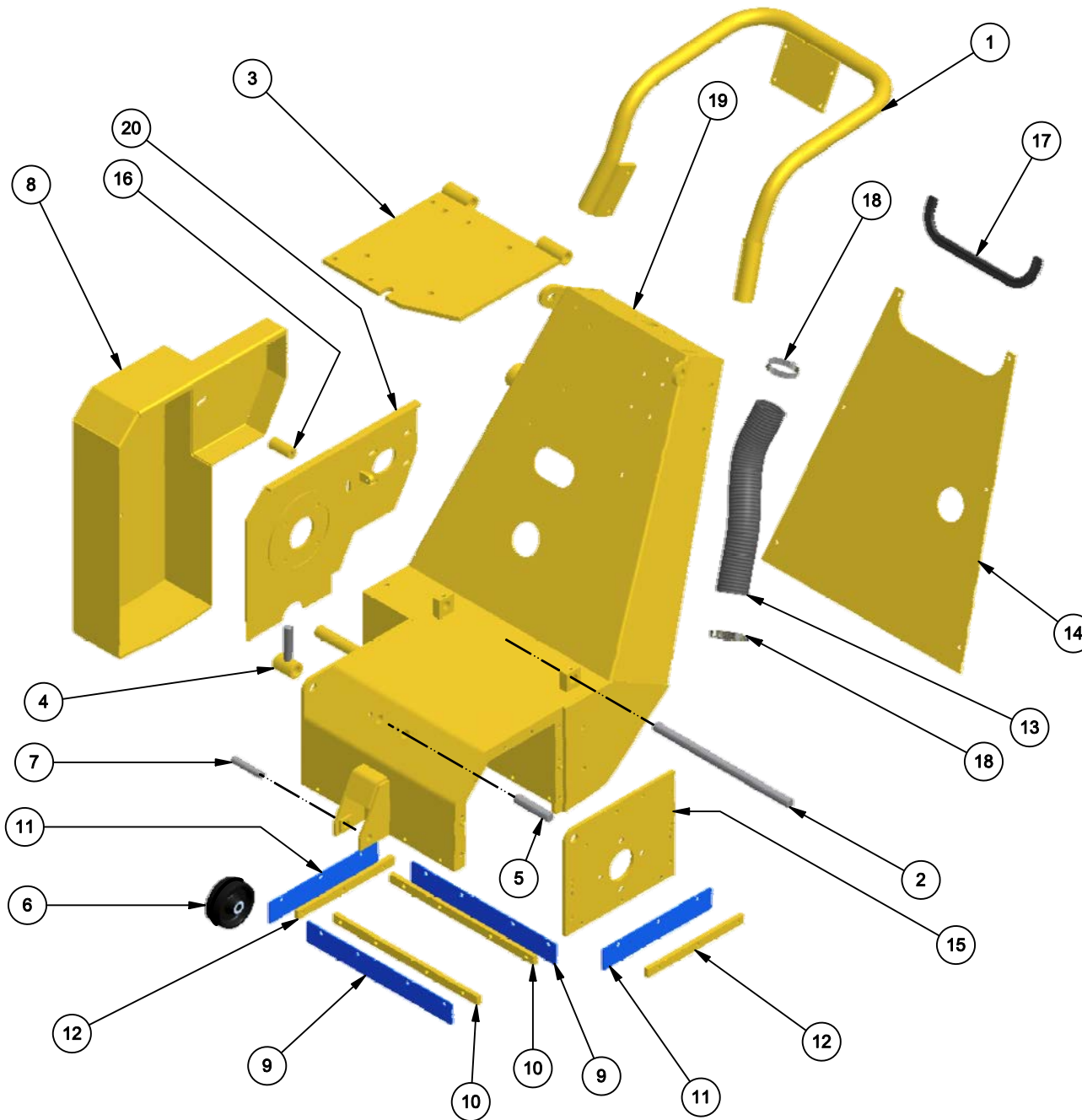
**THIS DRAWING IS THE CONFIDENTIAL COPYRIGHT
 PROPERTY OF SPE INTERNATIONAL LIMITED**

Drawn	TITLE Drum c/w Tungsten Carbide Tips	
D.G.A.		
Checked	Drawing No.	MACHINE
P.A.	BEF-320_Drum-TCT	BEF 320



BEF320-2A
Operating Manual

Spare Parts Breakdown



Parts List			
ITEM	QTY	SPE PART NUMBER	DESCRIPTION
1	1	3002	Handle
2	1	3024	Swivel Pin
3	1	3003	Motor Mounting Plate
4	1	3017	T-Bar
5	1	3018	Swivel Pin (T-Bar)
6	1	3015	Front Wheel
7	1	3016	Axle
8	1	3025	Belt Guard
9	2	3022	Front/Rear Seal
10	2	3021	Front/Rear Retaining Bar
11	2	3019	Side Seal
12	2	3020	Retaining Bar
13	1	3081	Vac Hose
14	1	3001B	Back Plate
15	1	3058A	Side Plate
16	1	3025B	Guard Support Post
17	1	3082	Edging Strip
18	2	HC-60	Hose Clip
19	1	3001	Main Chassis
20	1	3031C	Pump Mounting Plate



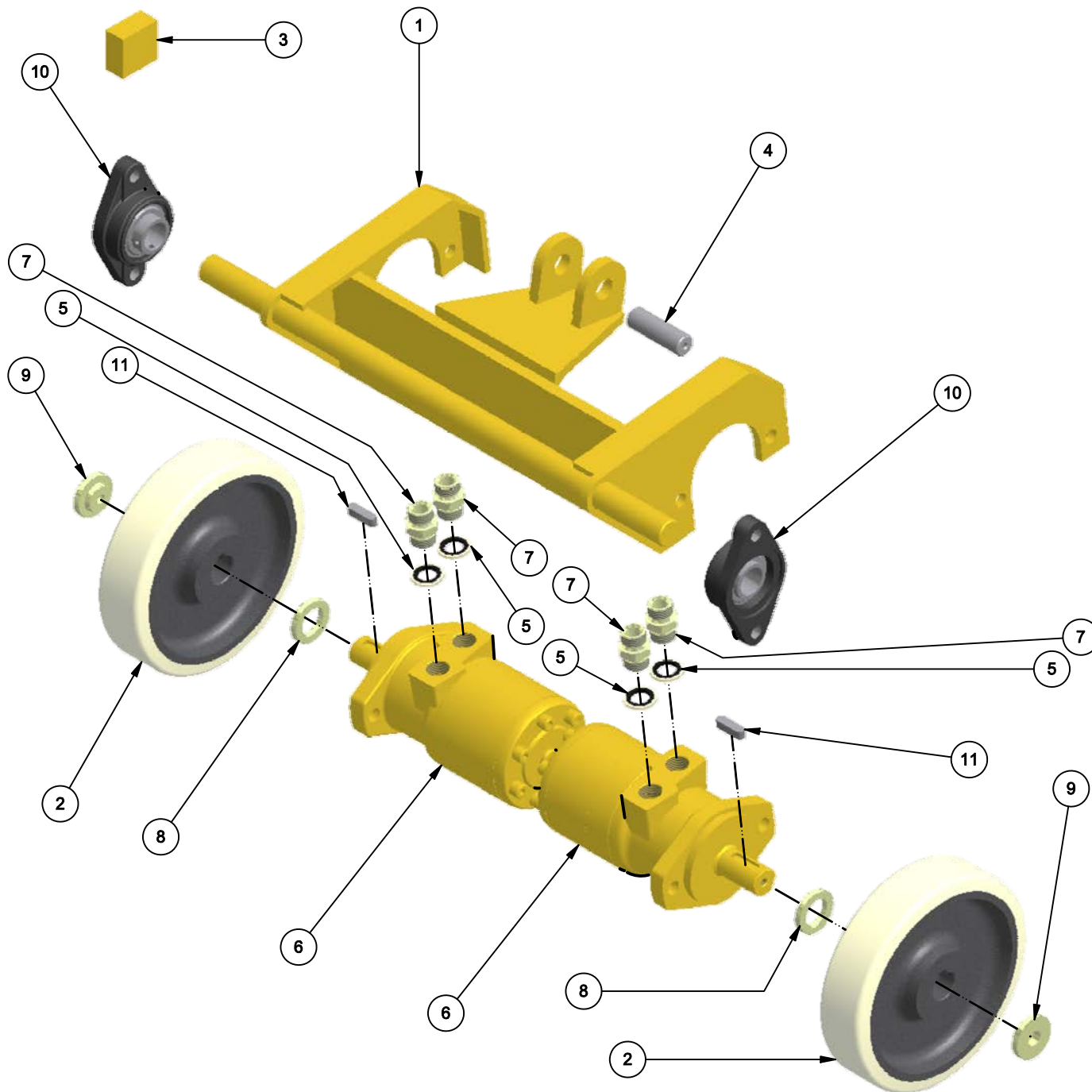
SPE
 Surface Preparation Equipment™

SPE International Limited
 Honeyholes Lane, Dunholme
 Lincoln, LN2 3SU, England
 Tel: +44 (0) 1673 860 709
 or +44 (0) 1673 860 330
 Fax: +44 (0) 1673 861 119
 Web Site: <http://www.spe-int.com>
 E-mail: sales@spe-int.com


THIS DRAWING IS THE CONFIDENTIAL COPYRIGHT
PROPERTY OF SPE INTERNATIONAL LIMITED

Drawn	TITLE	Body Components
D.G.A.		
Checked	Drawing No.	MACHINE
P.A.	BEF-320_Bdy-02	BEF 320-2A

This drawing should not be used, copied, shown or handed to a third party without the prior written consent of SPE International Ltd.



Parts List			
ITEM	QTY	SPE PART NUMBER	DESCRIPTION
1	1	3004	Rear Wheel Bracket
2	2	07034	Wheel
3	1	3014A	Bearing Block
4	1	3009	Hyd. Ram Pin
5	4	DW 08	½" Dowty Washer
6	2	09009	Wheel Motor
7	4	ADAPT 003	½" m-m Hyd. Adaptor
8	2	07035A	Spacer Washer
9	2	07035	Hub Cap
10	2	3014	Flange Bearing
11	2	9131	8x30 Parallel Key



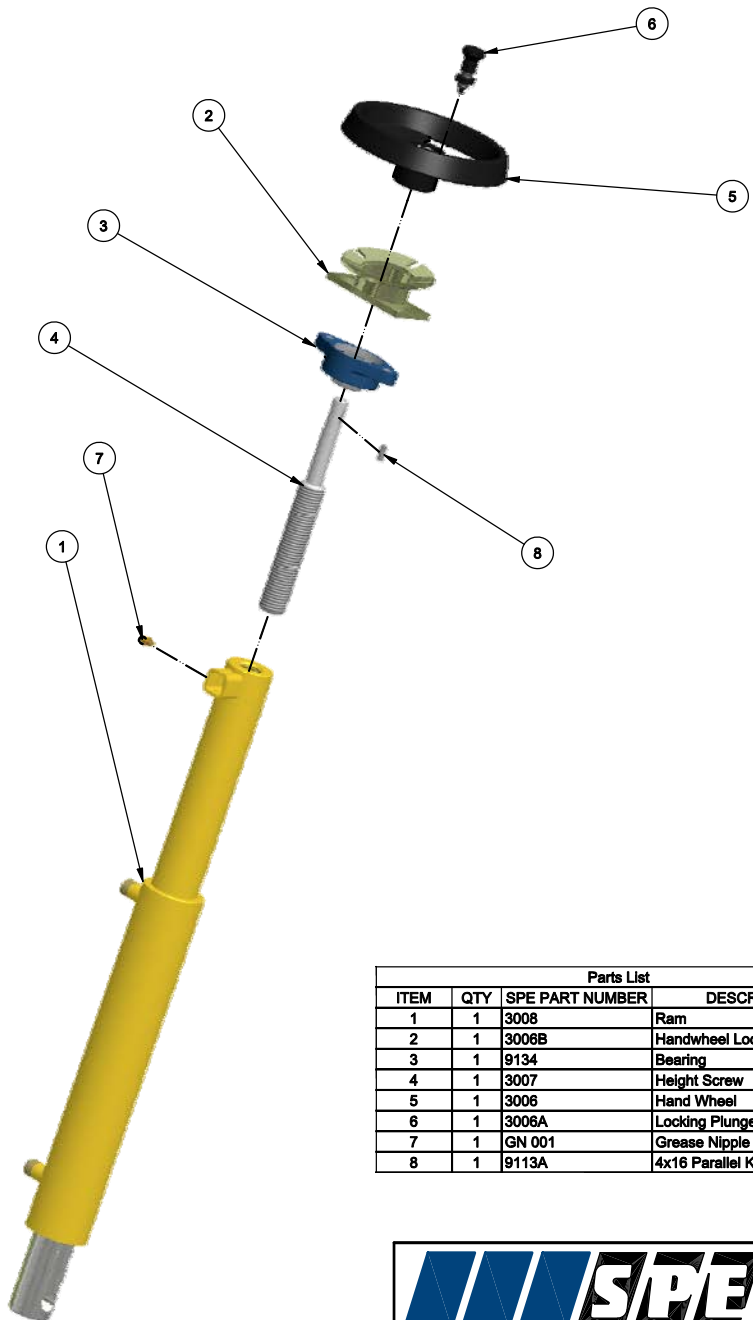
SPE International Limited
 Honeyholes Lane, Dunholme
 Lincoln. LN2 3SU, England
 Tel: +44 (0) 1673 860 709
 or +44 (0) 1673 860 330
 Fax: +44 (0) 1673 861 119
 Web Site: <http://www.spe-int.com>
 E-mail: sales@spe-int.com

Surface Preparation Equipment™

**THIS DRAWING IS THE CONFIDENTIAL COPYRIGHT
 PROPERTY OF SPE INTERNATIONAL LIMITED**

Drawn	TITLE Undercarriage Components	
D.G.A.		
Checked	Drawing No.	MACHINE
P.A.	BEF-320_Unc-02	BEF 320-2A

This drawing should not be used, copied, shown or handed to a third party without the prior written consent of SPE International Ltd.



Parts List			
ITEM	QTY	SPE PART NUMBER	DESCRIPTION
1	1	3008	Ram
2	1	3006B	Handwheel Locking Plate
3	1	9134	Bearing
4	1	3007	Height Screw
5	1	3006	Hand Wheel
6	1	3006A	Locking Plunger
7	1	GN 001	Grease Nipple
8	1	9113A	4x16 Parallel Key

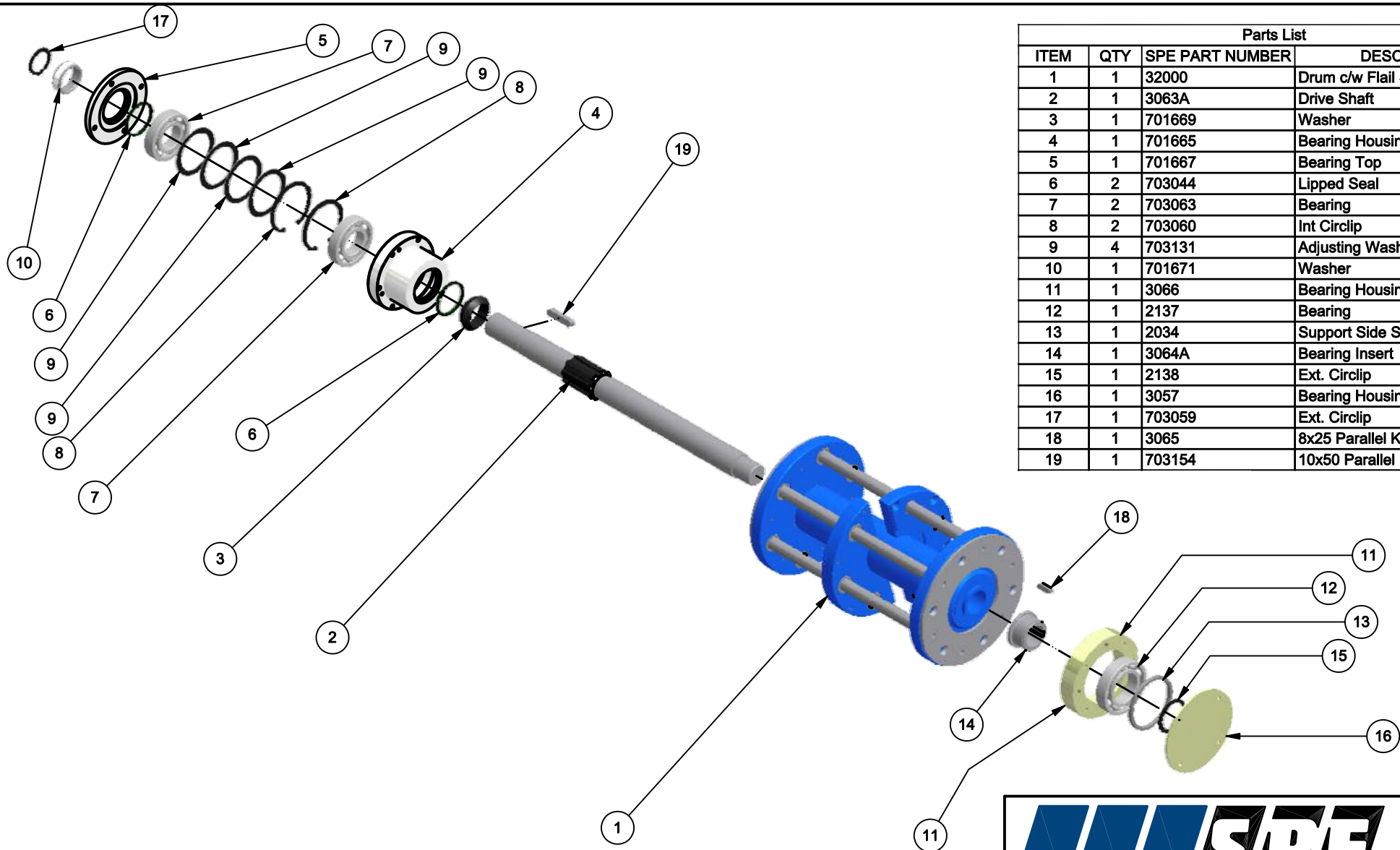


SPE International Limited
 Honeywicks Lane, Dinnington
 Lincoln, LN2 3SU, England
 Tel: +44 (0) 1873 960 705
 or +44 (0) 1873 960 330
 Fax: +44 (0) 1873 881 119
 Web Site: <http://www.spe-int.com>
 E-mail: sales@spe-int.com

**THIS DRAWING IS THE CONFIDENTIAL COPYRIGHT
 PROPERTY OF SPE INTERNATIONAL LIMITED**

Drawn	TITLE Height Adjuster Components	
D.G.A.		
Checked	Drawing No.	MACHINE
P.A.	BEF-320_HAd-02	BEF 320-2A

*This drawing should not be used,
 copied, shown or handed to a third
 party without the prior written
 consent of SPE International Ltd.*



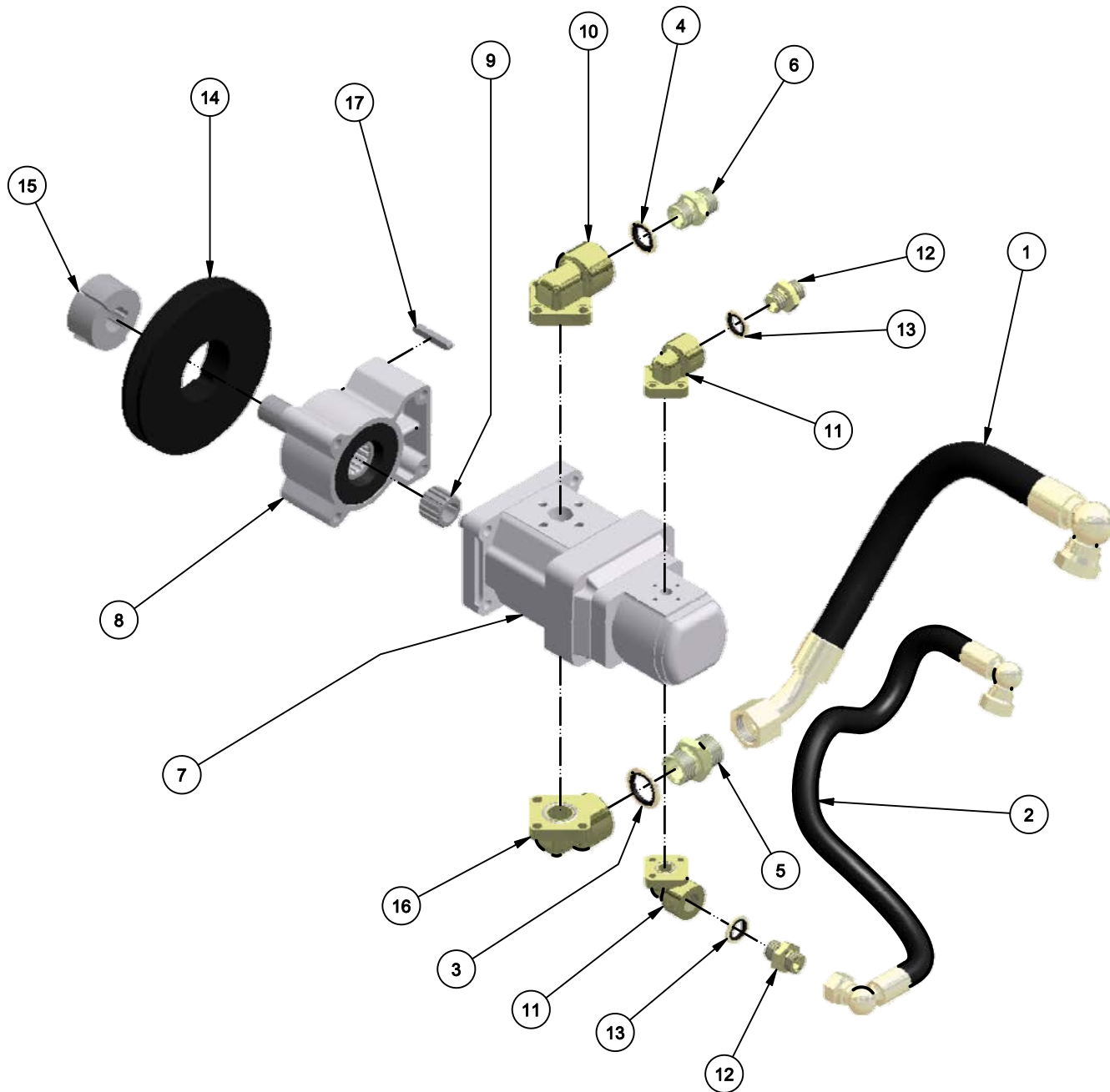
Parts List			
ITEM	QTY	SPE PART NUMBER	DESCRIPTION
1	1	32000	Drum c/w Flail Shafts
2	1	3063A	Drive Shaft
3	1	701669	Washer
4	1	701665	Bearing Housing
5	1	701667	Bearing Top
6	2	703044	Lipped Seal
7	2	703063	Bearing
8	2	703060	Int Circlip
9	4	703131	Adjusting Washer - Flat
10	1	701671	Washer
11	1	3066	Bearing Housing
12	1	2137	Bearing
13	1	2034	Support Side Spacer
14	1	3064A	Bearing Insert
15	1	2138	Ext. Circlip
16	1	3057	Bearing Housing End Plate
17	1	703059	Ext. Circlip
18	1	3065	8x25 Parallel Key
19	1	703154	10x50 Parallel Key

SPE
Surface Preparation Equipment™

SPE International Limited
 Honeyholes Lane, Dunholme
 Lincoln, LN2 3SU, England
 Tel: +44 (0) 1673 860 709
 or +44 (0) 1673 860 330
 Fax: +44 (0) 1673 861 119
 Web Site: <http://www.spe-int.com>
 E-mail: sales@spe-int.com

THIS DRAWING IS THE CONFIDENTIAL COPYRIGHT PROPERTY OF SPE INTERNATIONAL LIMITED		
Drawn	TITLE Drum Drive Components	
D.G.A.		
Checked	Drawing No.	MACHINE
P.A.	BEF-320_DDr-02	BEF 320-2A

This drawing should not be used, copied, shown or handed to a third party without the prior written consent of SPE International Ltd.



Parts List			
ITEM	QTY	SPE PART NUMBER	DESCRIPTION
1	1	3041	Hyd. Pipe, Tank to Pump
2	1	3046	Hyd. Pipe, Tank to Pump
3	1	DW12	3/4" Dowty Washer
4	1	DW 08	1/2" Dowty Washer
5	1	ADAPT 004	3/4" Hyd. Connector
6	1	ADAPT 003	1/2" m-m Hyd. Adaptor
7	1	3035	Tandem Pump
8	1	3033	Load Adapter
9	1	3034	Splined Drive
10	1	3035B	1/2" Port Conneter c/w O-Ring
11	2	3035A	3/8" Port Connector c/w O-Ring
12	2	ADAPT 002	3/8" m-m Hyd. Adaptor
13	2	DW 06	3/8" Dowty Washer
14	1	3030	Driven Pulley
15	1	3029	Taper Lock Bush [1610 - 22mm]
16	1	3035C	3/4" Port Connector c/w O-Ring
17	1	3033A	6x39 Parallel Key



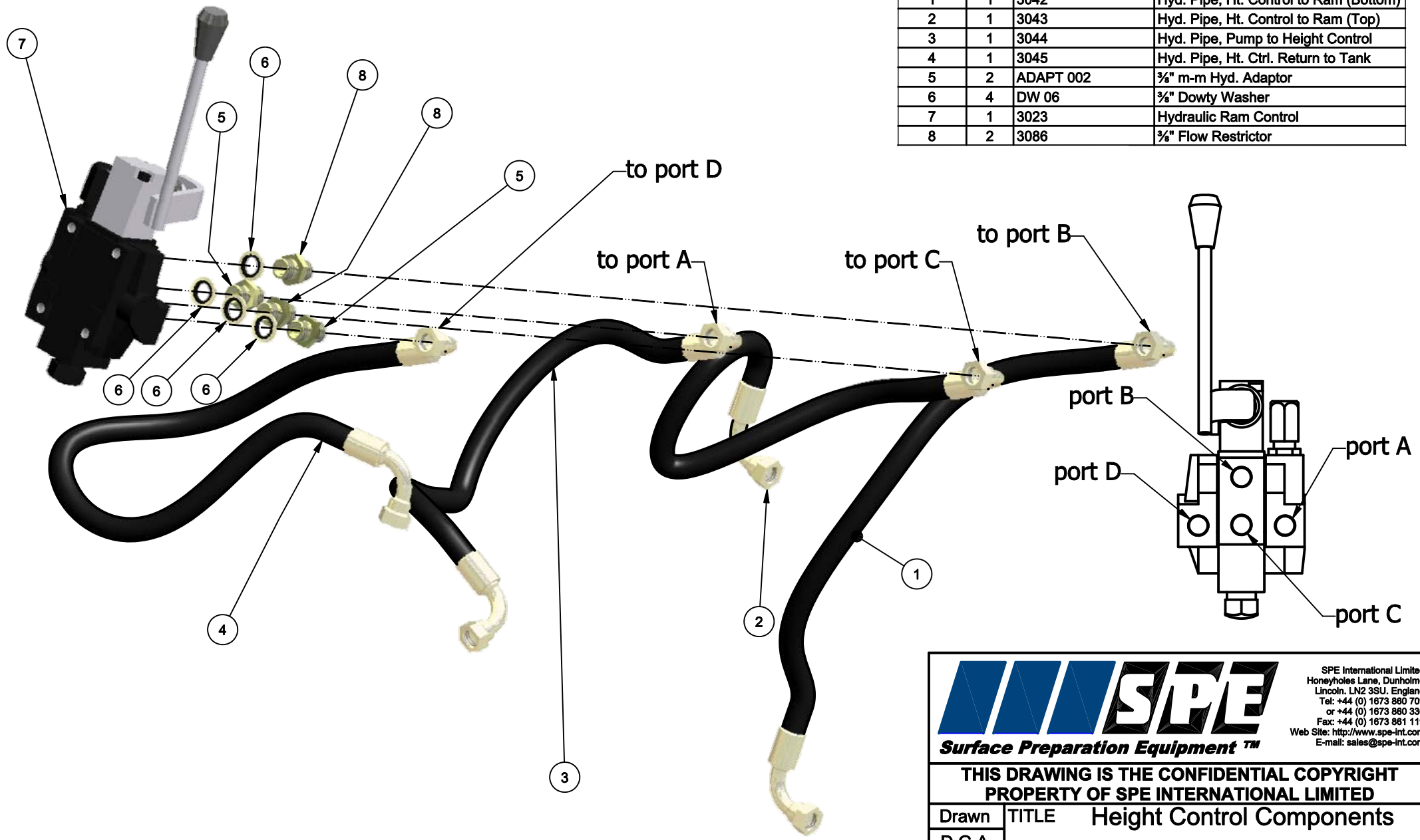
SPE International Limited
 Honeyholes Lane, Dunholme
 Lincoln, LN2 3SU, England
 Tel: +44 (0) 1673 860 709
 or +44 (0) 1673 860 330
 Fax: +44 (0) 1673 861 119
 Web Site: <http://www.spe-int.com>
 E-mail: sales@spe-int.com

Surface Preparation Equipment™

**THIS DRAWING IS THE CONFIDENTIAL COPYRIGHT
PROPERTY OF SPE INTERNATIONAL LIMITED**

Drawn	TITLE Hydraulic Drive Components	
D.G.A.		
Checked	Drawing No.	MACHINE
P.A.	BEF-320_HDr-02	BEF 320-2A

This drawing should not be used, copied, shown or handed to a third party without the prior written consent of SPE International Ltd.



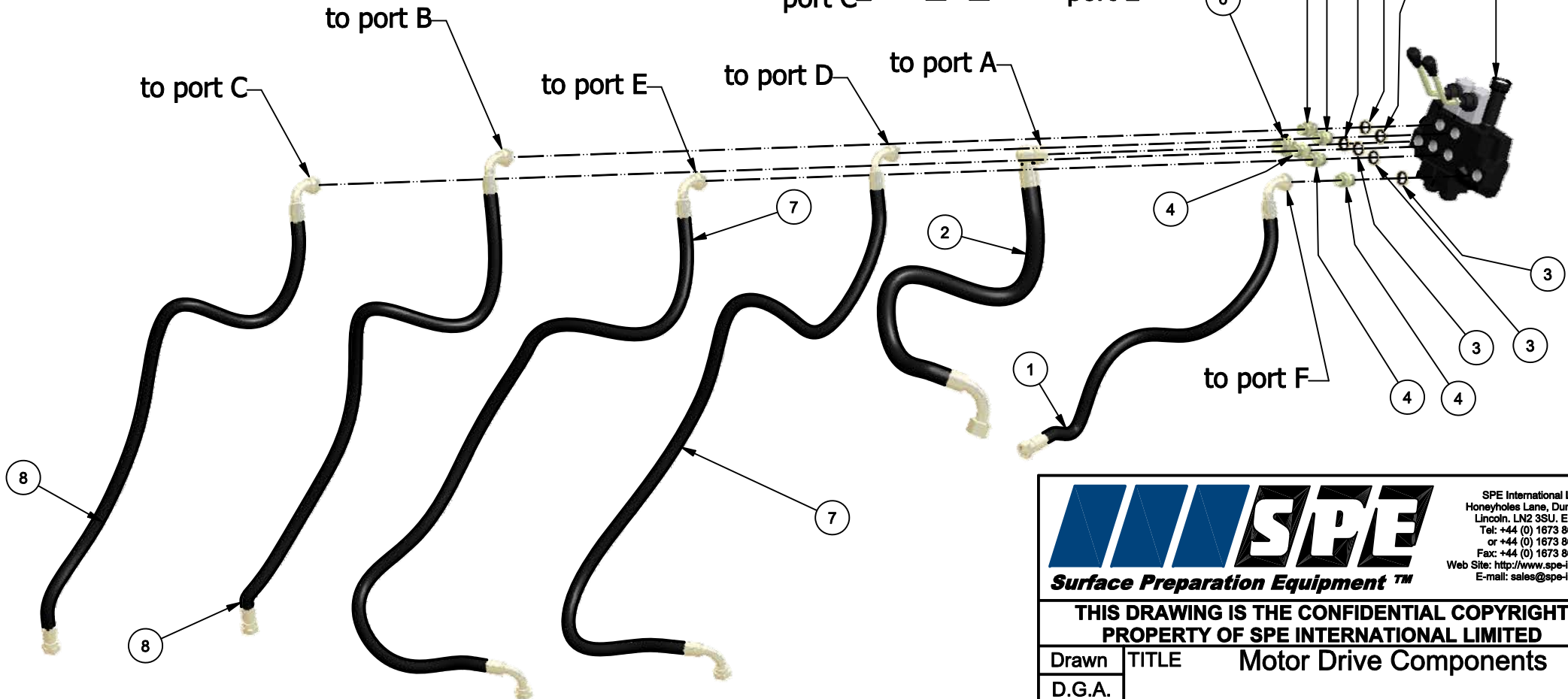
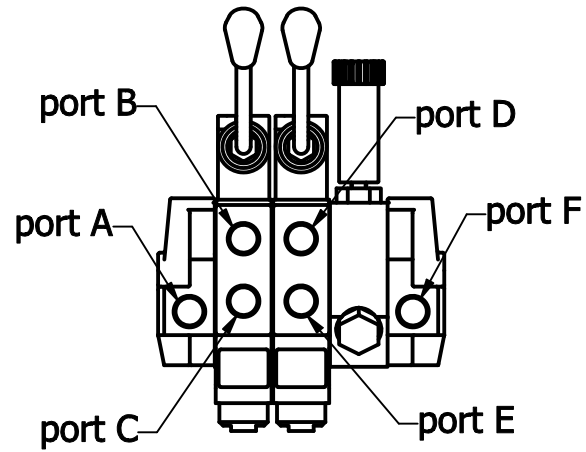
Parts List			
ITEM	QTY	SPE PART NUMBER	DESCRIPTION
1	1	3042	Hyd. Pipe, Ht. Control to Ram (Bottom)
2	1	3043	Hyd. Pipe, Ht. Control to Ram (Top)
3	1	3044	Hyd. Pipe, Pump to Height Control
4	1	3045	Hyd. Pipe, Ht. Ctrl. Return to Tank
5	2	ADAPT 002	3/8" m-m Hyd. Adaptor
6	4	DW 06	3/8" Dowty Washer
7	1	3023	Hydraulic Ram Control
8	2	3086	3/8" Flow Restrictor

SPE International Limited
 Honeyholes Lane, Dunholme
 Lincoln, LN2 3SU, England
 Tel: +44 (0) 1673 860 709
 or +44 (0) 1673 860 330
 Fax: +44 (0) 1673 861 119
 Web Site: <http://www.spe-int.com>
 E-mail: sales@spe-int.com

THIS DRAWING IS THE CONFIDENTIAL COPYRIGHT PROPERTY OF SPE INTERNATIONAL LIMITED		
Drawn	TITLE Height Control Components	
D.G.A.		
Checked	Drawing No.	MACHINE
P.A.	BEF-320_HCt-02	BEF 320-2A

This drawing should not be used, copied, shown or handed to a third party without the prior written consent of SPE International Ltd.

Parts List			
ITEM	QTY	SPE PART NUMBER	DESCRIPTION
1	1	3039	Hyd. Pipe, Pump to Drive Control
2	1	3040	Hyd. Pipe, Drive Control to Tank
3	6	DW 08	1/2" Dowty Washer
4	5	ADAPT 003	1/2" m-m Hyd. Adaptor
5	1	09010	Hydraulic Drive Control
6	1	ADAPT 013	3/4"x1/2" Hyd. Adapter
7	2	3038	Hyd. Pipe, Dv. Ctrl. to L/H Wheel Motor
8	2	3037	Hyd. Pipe, Dv. Ctrl. to R/H Wheel Motor

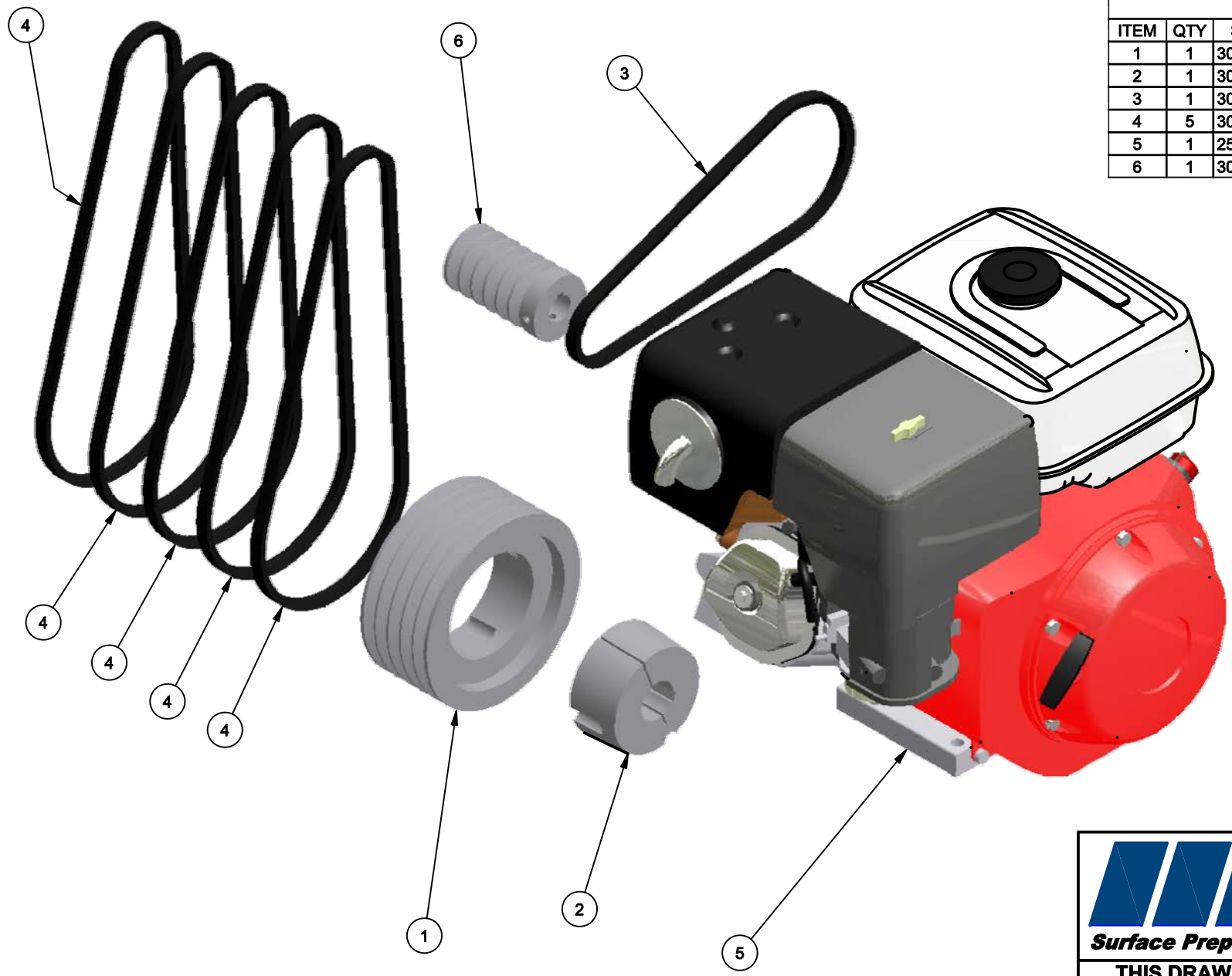


SPE International Limited
 Honeyholes Lane, Dunholme
 Lincoln. LN2 3SU, England
 Tel: +44 (0) 1673 860 709
 or +44 (0) 1673 860 330
 Fax: +44 (0) 1673 861 119
 Web Site: <http://www.spe-int.com>
 E-mail: sales@spe-int.com

**THIS DRAWING IS THE CONFIDENTIAL COPYRIGHT
 PROPERTY OF SPE INTERNATIONAL LIMITED**

Drawn	TITLE Motor Drive Components	
D.G.A.		
Checked	Drawing No.	MACHINE
P.A.	BEF-320_MDr-02	BEF 320-2A

This drawing should not be used, copied, shown or handed to a third party without the prior written consent of SPE International Ltd.



Parts List			
ITEM	QTY	SPE PART NUMBER	DESCRIPTION
1	1	3047	Pulley
2	1	3048	Taper Lock Bush [3020 - 38mm]
3	1	3027	Drive Belt (Hyd Pump)
4	5	3026	Drive Belt
5	1	2556	Honda Petrol Engine
6	1	3032	Drive Pulley



SPE International Limited
 Honeyholes Lane, Dunholme
 Lincoln, LN2 3SU, England
 Tel: +44 (0) 1673 860 709
 or +44 (0) 1673 860 330
 Fax: +44 (0) 1673 861 119
 Web Site: <http://www.spe-int.com>
 E-mail: sales@spe-int.com

THIS DRAWING IS THE CONFIDENTIAL COPYRIGHT PROPERTY OF SPE INTERNATIONAL LIMITED		
Drawn	TITLE Petrol Engine Drive Components	
D.G.A.		
Checked	Drawing No.	MACHINE
P.A.	BEF-320_EnD-02	BEF 320-2A

This drawing should not be used, copied, shown or handed to a third party without the prior written consent of SPE International Ltd.



BEF320-2A
Operating Manual

SPECIFICATION SHEET

Specifications	
Type	Petrol
Part Number	BEF320-2A
Power Output (hp)	13
Voltage	
Cycles	
Cutter head speed (rpm)	1000
Starter	Manual
Travel speed mtr/min	0-12
Machine Dimensions (mm)	
Length	1230
Width	590
Height	1220
Weight (kg) c/w cutter drum	310
Working width of cutters (mm)	320
Working distance from wall (mm)	40