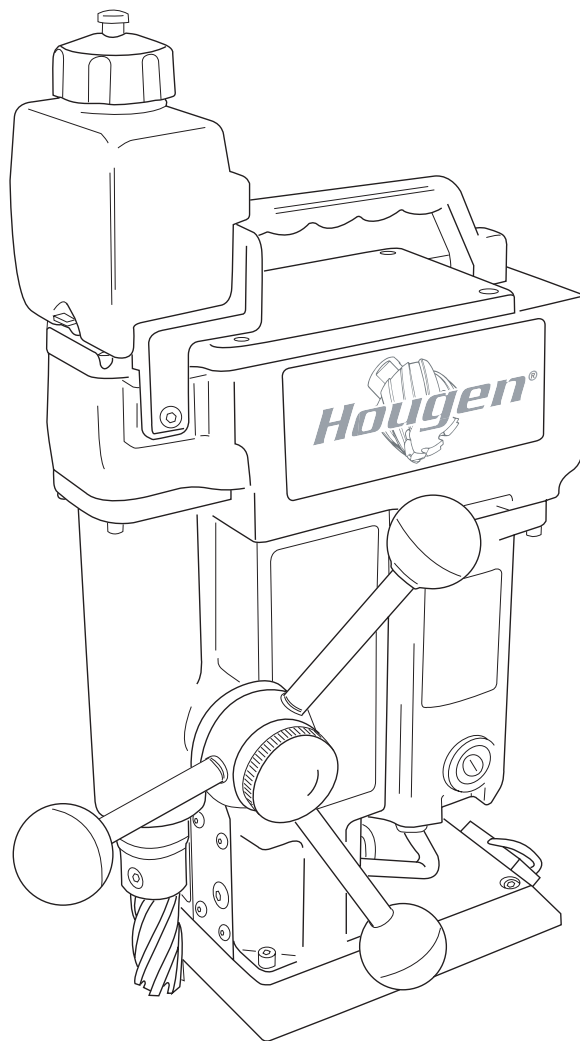




HMD505

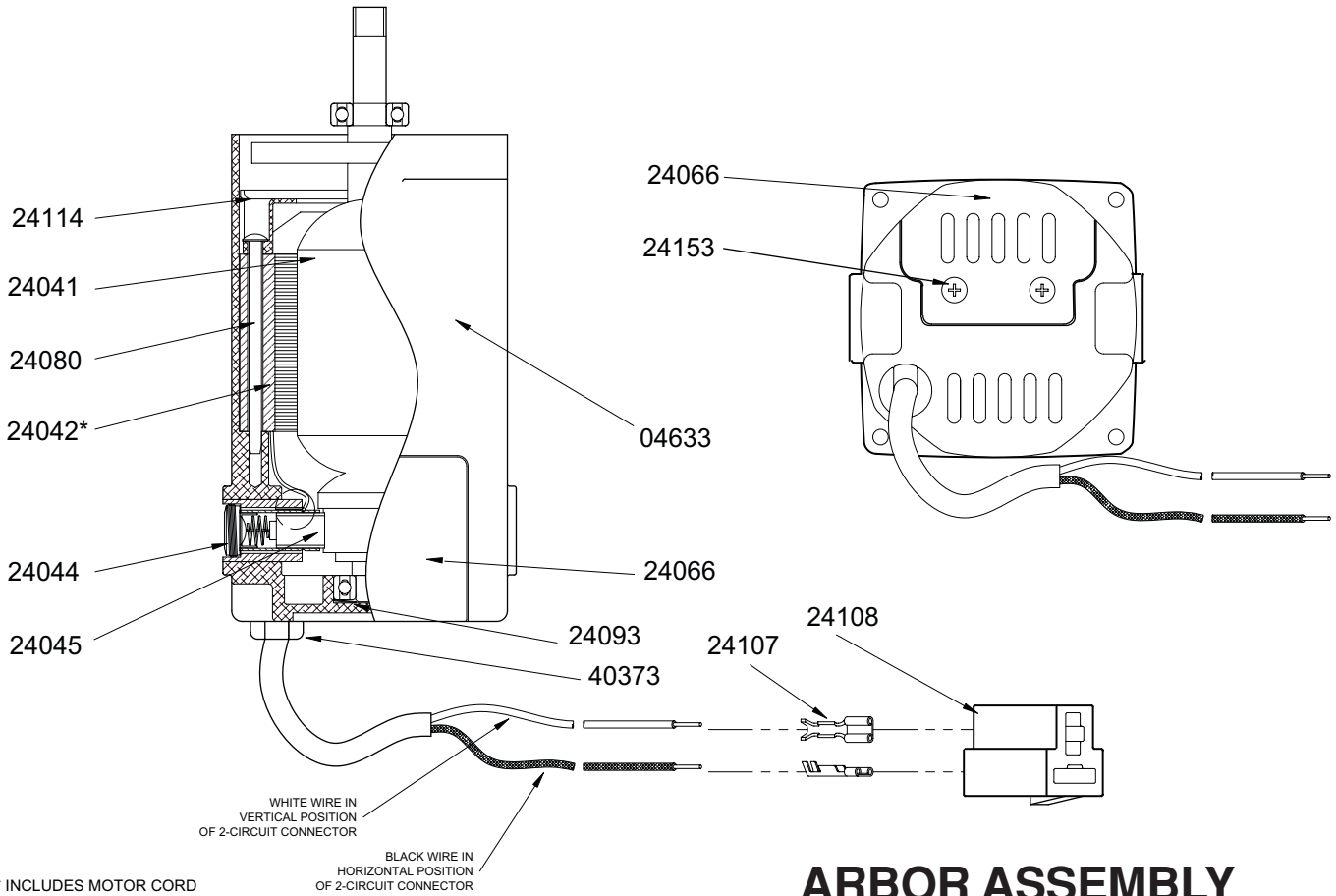
PORTABLE MAGNETIC DRILL

OPERATOR'S MANUAL

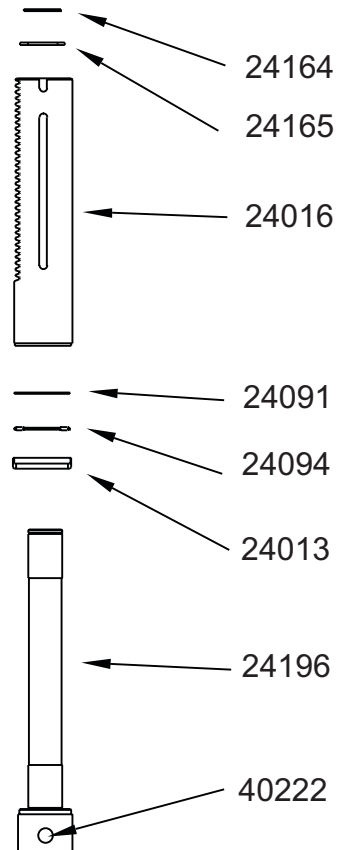


FOR USE WITH "12,000-SERIES" ROTABROACH® CUTTERS

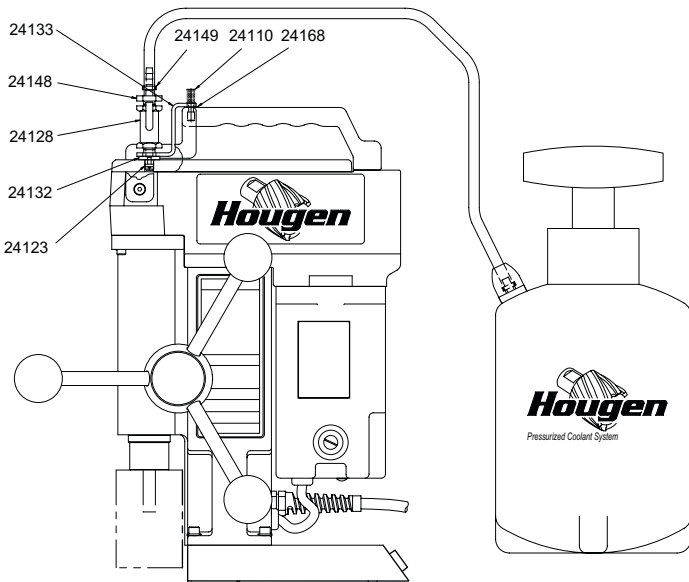
HMD505 MOTOR ASSEMBLY 04631



ARBOR ASSEMBLY 24199

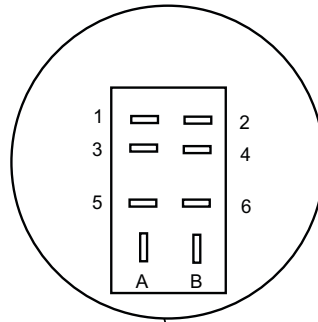
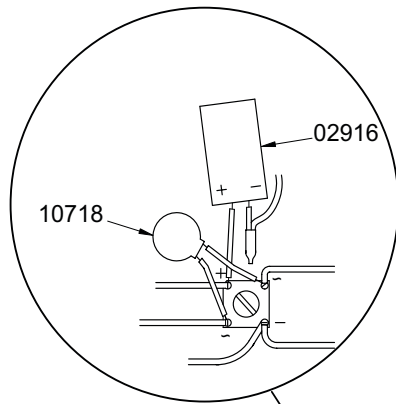
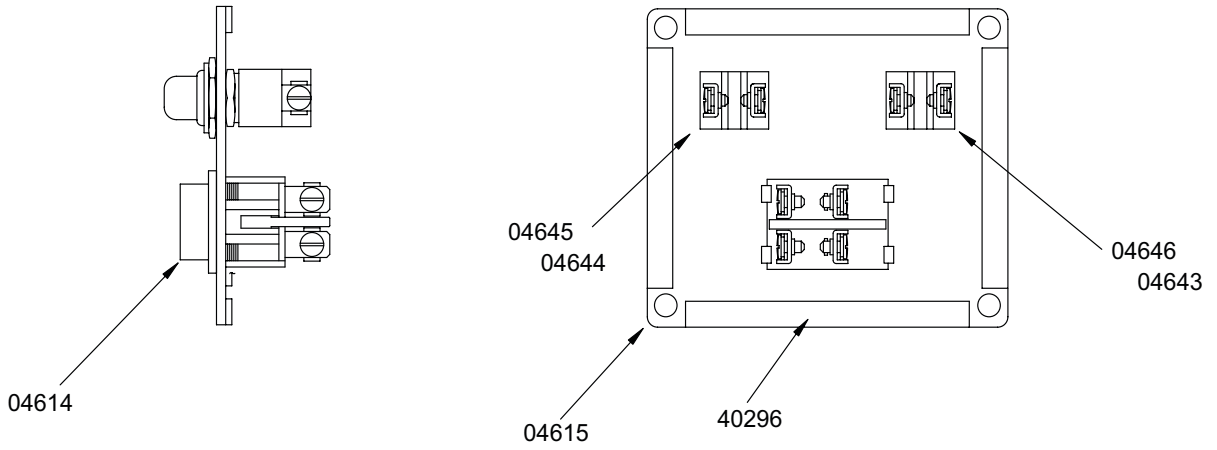


OPTIONAL PRESSURIZED COOLANT BOTTLE ASSEMBLY PART NUMBER 24140

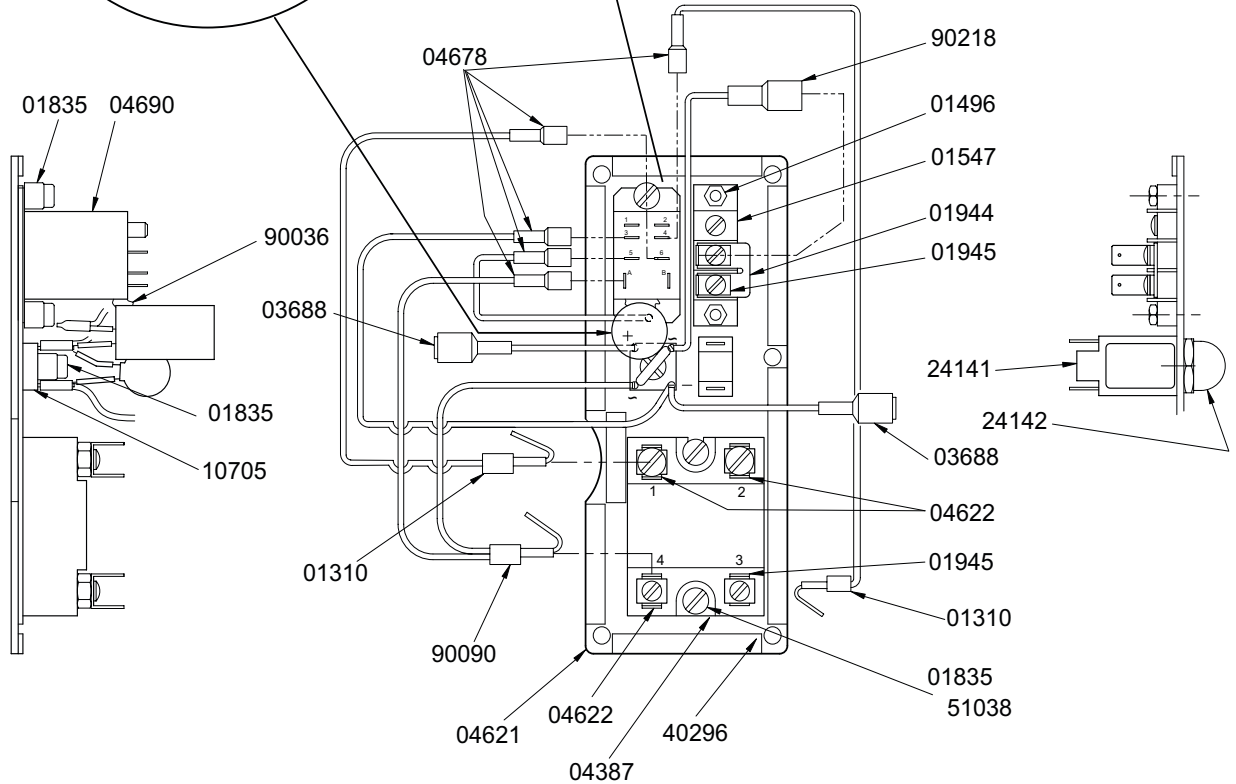


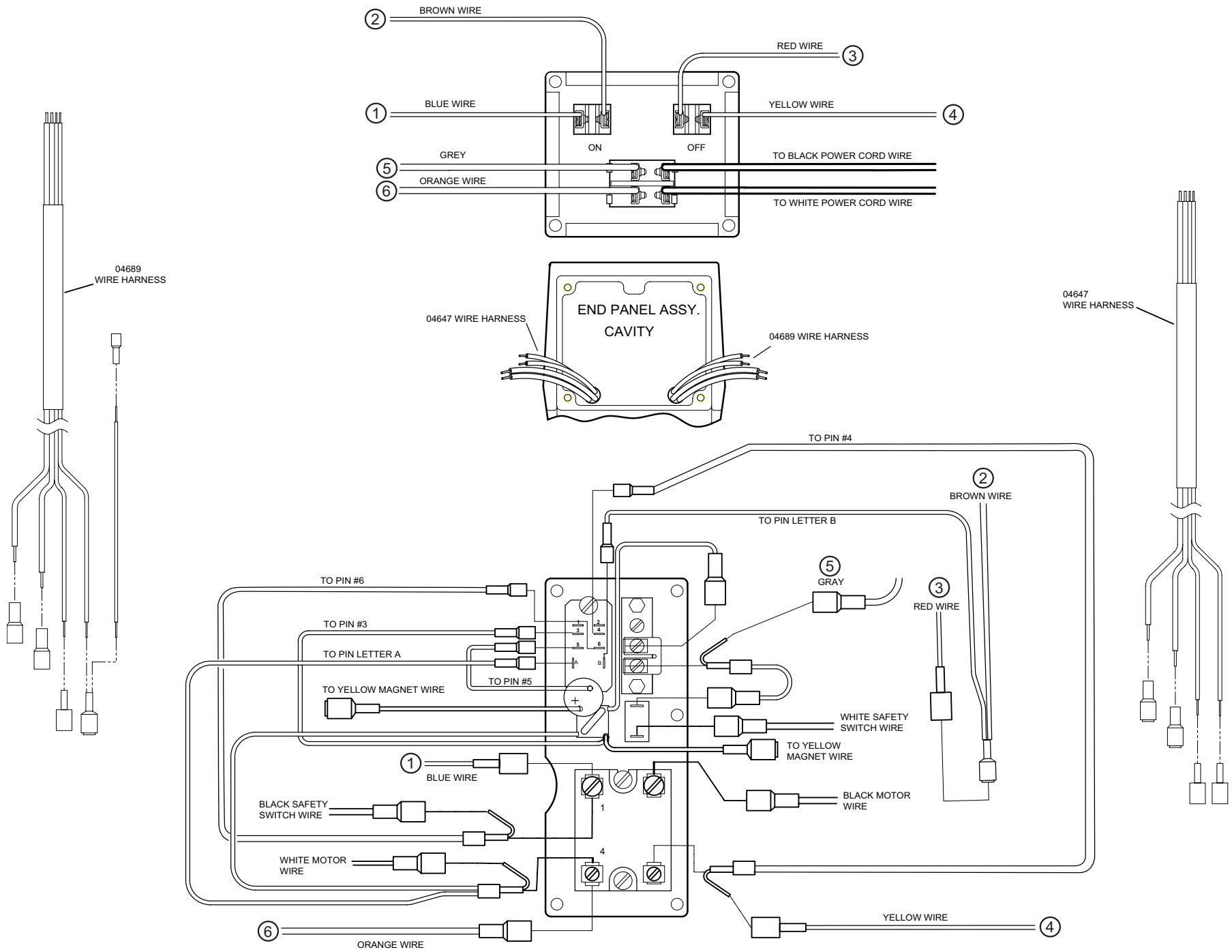
HMD505 PANELS

PANEL ASSEMBLY END (04613)



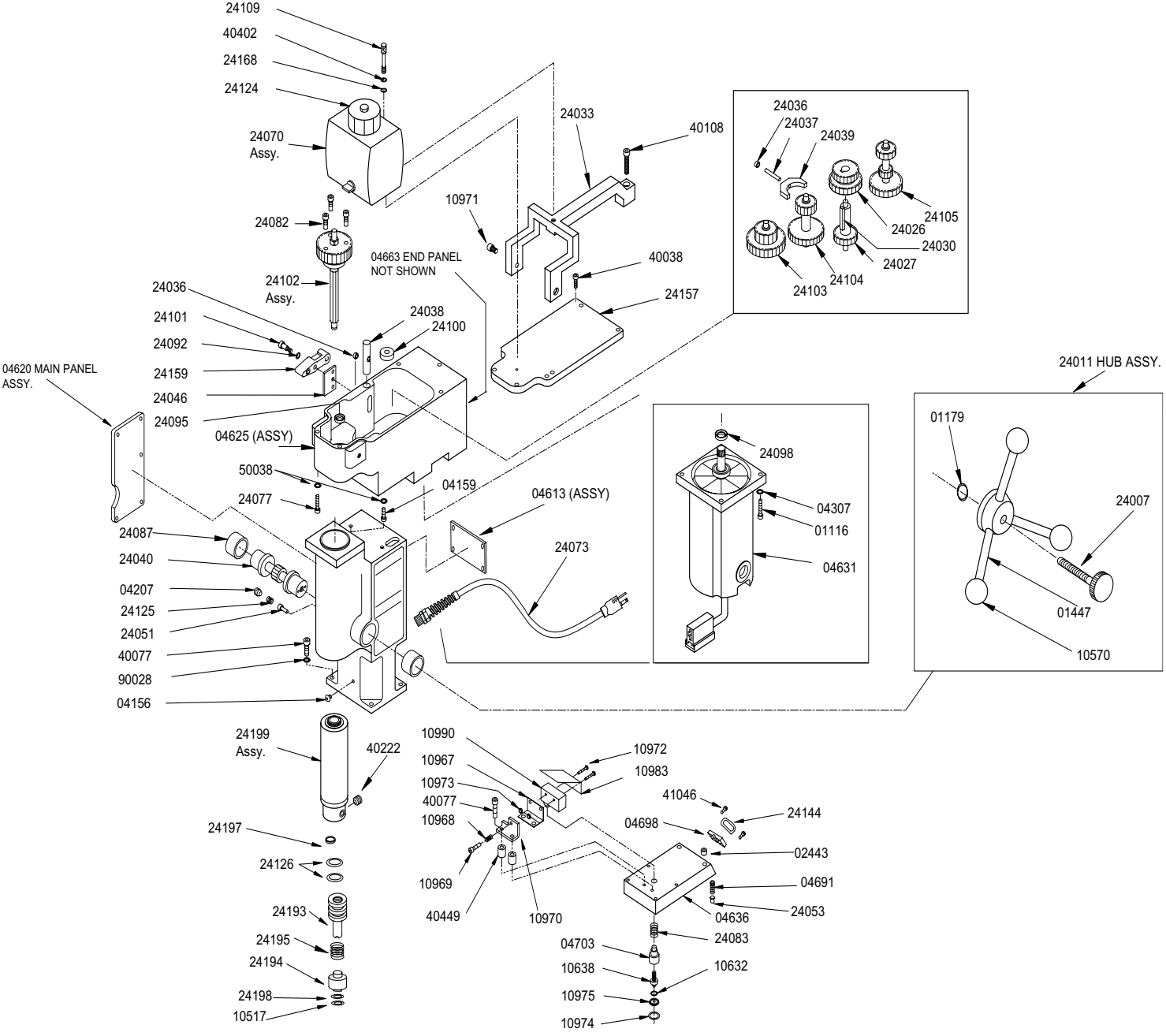
PANEL ASSEMBLY MAIN (04620)





HMD505 HOOK UP DIAGRAM

HOUGEN HMD505



HMD505 DRILL PARTS LIST

PART NO.	DESCRIPTION	QTY. REQ'D.	PART NO.	DESCRIPTION	QTY. REQ'D.
01116	SCREW SHC #10-32	4	10968	SPRING	1
01179	"O" RING	1	10969	SCR-SHC #10-32	2
01310	TERMINAL PIGGY BACK	2	10970	S/S BRACKET	1
01447	FEED HANDLE	3	10971	SCR-SHC 1/4-20	2
01496	SPACER-ALUM	2	10972	SCR-BHC #6-32	2
01547	TERM. STRIP 3 SINGLE	1	10973	HEX NUT #6-32	2
01835	NUT-NYLON	5	10974	RETAINING RING	1
01944	TERM-JUMPER	1	10975	SEAL ASSY.	1
01945	TERM-SPADE	3	10983	MICROSWITCH SHIELD	1
02443	SCR-SOC SET 7/16-14	2	10990	SAFETY SWITCH	1
02916	CAPACITOR	1	13013	WRENCH-ALLEN	1
03688	TERM-MALE INSUL.	2	24007	KNOB FOR FEED HUB	1
04156	DCR-BHSCS 5/16-18	1	24011	HUB ASSY. FEED	1
04157	SCREW FHSCC #10-32	2	24013	THRUST BEARING SEAL	1
04158	SCR-DELF-THD #10-24	1	24016	QUILL	1
04159	SCR-LHSCS #10-32	2	24026	GEAR 32 & 39 TOOTH	1
04207	SCR SOC SET 3/8-16	1	24027	GEAR & SHAFT ASSY #2	1
04307	WASHER FLAT #10	4	24030	KEY 3/16 X 1.7"	1
04387	RELAY-240V AC	1	24033	CARRYING HANDLE	1
04613	PUSH BUTTON ASSY	1	24036	WASHER-GEAR SHIFT	2
04614	SWITCH ROCKER	1	24037	DOWEL PIN 3/16"	1
04615	FACEPLATE END	1	24038	GEAR SHIFT PIN	1
04620	PANEL ASSY. MAIN	1	24039	GEAR SHIFT YOLK	1
04621	FACEPLATE FRONT	1	24040	FEED GEAR	1
04622	TERMINAL DOUBLE	3	24041	ARMATAURE ASSY.	1
04623	COVER & BRNG. ASSY.	1	24042	FIELD ASSY.	1
04628	HOUSING ASSY.	1	24044	BRUSH CAP	2
04631	MOTOR ASSEMBLY	1	24045	BRUSH CARBON	2
04633	MTR. HSNQ. ASSY.	1	24046	GEAR SWITCH PLATE	1
04636	MAGNET ASSEMBLY	1	24051	QUILL STOP	1
04640	GEAR BOX & BRNG. ASSY	1	24053	SPRING PLUNGER	1
04643	SEAL - RED	1	24066	ACCESS DOOR	1
04644	SEAL - GREEN	1	24070	COOLANT BOTTLE ASSY.	1
04645	SWITCH ON	1	24073	POWER CORD ASSY.	1
04646	SWITCH OFF	1	24077	SCR-SHC #10-32	4
04647	WIRE ASSEMBLY	1	24080	SCR-SELF TAP	2
04678	TERM. FEMALE INSUL.	1	24082	SCR-SHC #6-32	3
04689	WIRE ASSEMBLY	1	24083	SPRING COMP.	1
04690	RELAY 15 AMP	1	24087	BEARING BUSH	2
04691	COMP SPRING	1	24091	THRUST WASHER	1
04698	CHAIN PLATE	1	24092	SPRING WASHER	1
04703	PLUNGER BODY	1	24093	SPRING WASHER	1
10517	RETAINING RING	1	24094	THRUST BEARING	1
10560	WASHER #10-EXT.	1	24095	LIP SEAL	1
10570	FEED KNOB	3	24100	BALL BEARING	9
10632	RING RETAINING	1	24101	SCR-SHSLD 1/4"	1
10638	BEARING ASSY.	1	24102	SPLINE SHAFT	1
10705	RECTIFIER	1	24103	SPUR GEAR & SHAFT	1
10718	SURGE SUPP.	1	24104	SPUR GEAR & SHAFT	1
10727	WRENCH ALLEN 3/16	1	24105	SPUR GEAR & SHAFT	1
10730	CHAIN ASSY.	1	24107	CONN-FEMALE TAB	2
10967	CLIP - MICROSWITCH	1			

HMD505 PARTS (CONT.)

PART NO.	DESCRIPTION	QTY. REQ'D.
24108	BRACKET SAFETY SWITCH	1
24109	SCR-CAPT-THUMB	1
24110	SCR-CAPT-THUMB	1
24114	MOTOR BAFFLE	1
24123	O-RING	1
24124	CAP-COOLANT	1
24125	COMP. SPRING	1
24126	O-RING	2
24128	VALVE-GROUND SHUTOFF	1
24132	ADAPTER	1
24133	BRACKET	1
24141	CIRCUIT BREAKER 14A	1
24142	COVER-WATER SPLASH	1
24143	SPRING PLATE	1
24144	RING - D	1
24148	HOSE INSERT	1
24149	CLAMP 2 EAR	1
24153	SCR-SELF TAP	2
24157	COVER & BRNG. ASSY.	1
24159	GEAR SWITCH & PLUNGER	1
24164	RET-RING LH	1
24165	WASHER	1
24166	HEX KEY T-HANDLE	1
24167	COMP-SPRING	2
24168	FLAT NYLON WASHER	1
24193	SPLINE EXTENSION	1
24194	SPRING PLUNGER	1
24195	COMP SPRING	1
24196	ARBOR	1
24197	O-RING	1
24198	LIP SEAL	1
24199	ASSY-QUILL AND ARBOR	1
40038	SCR-SHC #10-32	6
40077	SCR-SHC 1/4-20	6
40108	SCR-SHC 1/4-20	1
40222	SCR-SOC SET 7/16	2
40373	STRAIN RELIEF	1
40402	WASHER FLAT	1
40449	SPACER	2
41044	SCR-BHC #10-32	9
41046	SCR-SHC #10	4
50038	WASHER HELI-LOCK	4
51038	WASHER FLAT #6	2
90028	WASHER-HELI 1/4"	4
90090	TERM. PIGGY BACK	1
90218	TERM. FEMALE INSUL.	1

“12,000-SERIES” ROTABROACH® CUTTERS

Cutter Dia. (Inches)	Decimal Equivalent	Part Number		
		1" D.O.C.	2" D.O.C.	3" D.O.C.
Use with Pilot →		10531	10532	
7/16	.4375	12114	12214	----
Use with Pilot →		10533	10534	
1/2	.5000	12116	12216	----
9/16	.5625	12118	12218	----
5/8	.6250	12120	12220	----
11/16	.6875	12122	12222	----
Use with Pilot →		10527	10528	24131
3/4	.7500	12124	12224	3-12224
13/16	.8125	12126	12226	3-12226
7/8	.8750	12128	12228	3-12228
15/16	.9375	12130	12230	3-12230
1	1.0000	12132	12232	3-12232
1-1/16	1.0625	12134	12234	3-12234
1-1/8	1.1250	12136	12236	3-12236
1-3/16	1.1875	12138	12238	3-12238
1-1/4	1.2500	12140	12240	3-12240
1-5/16	1.3125	12142	12242	3-12242
1-3/8	1.3750	12144	12244	3-12244
1-7/16	1.4375	12146	12246	3-12246
1-1/2	1.5000	12148	12248	3-12248
1-9/16	1.5625	12150	12250	3-12250
1-5/8	1.6250	12152	12252	3-12252
1-11/16	1.6875	12154	12254	3-12254
1-3/4	1.7500	12156	12256	3-12256
1-13/16	1.8125	12158	12258	3-12258
1-7/8	1.8750	12160	12260	3-12260
1-15/16	1.9375	12162	12262	3-12262
2	2.0000	12164	12264	3-12264
2-1/16	2.0625	----	12266	----
2-1/8	2.1250	----	12268	----
2-3/16	2.1875	----	12270	----
2-1/4	2.2500	----	12272	----
2-5/16	2.3125	----	12274	----
2-3/8	2.3750	----	12276	----

Cutter Dia. (Metric)	Decimal Equivalent	Part Number		
		1" D.O.C.	2" D.O.C.	3" D.O.C.
Use with Pilot →		10531	10532	
12mm	.4724	12312	12413	----
Use with Pilot →		10533	10534	
13mm	.5118	12313	12413	----
14mm	.5512	12314	12414	----
15mm	.5906	12315	12415	----
16mm	.6299	12316	12416	----
17mm	.6693	12317	12417	----
18mm	.7087	12318	12418	----
Use with Pilot →		10527	10528	24131
19mm	.7480	12319	12419	12519
20mm	.7874	12320	12420	12520
21mm	.8268	12321	12421	12521
22mm	.8661	12322	12422	12522
23mm	.9055	12323	12423	12523
24mm	.9449	12324	12424	12524
25mm	.9843	12325	12425	12525
26mm	1.0236	12326	12426	12526
27mm	1.0630	12327	12427	12527
28mm	1.1024	12328	12428	12528
29mm	1.1417	12329	12429	12529
30mm	1.1811	12330	12430	12530
31mm	1.2205	12331	12431	12531
32mm	1.2598	12332	12432	12532
33mm	1.2992	12333	12433	12533
34mm	1.3386	12334	12434	12534
35mm	1.3779	12335	12435	12535
36mm	1.4173	12336	12436	12536
37mm	1.4567	12337	12437	12537
38mm	1.4961	----	12438	12538
39mm	1.5354	----	12439	12539
40mm	1.5743	----	12440	12540
41mm	1.6142	----	12441	12541
42mm	1.6535	----	12442	12542
43mm	1.6929	----	12443	12543
44mm	1.7323	----	12444	12544
45mm	1.7717	----	12445	12545
46mm	1.8110	----	12446	12546
47mm	1.8504	----	12447	12547
48mm	1.8898	----	12448	12548
49mm	1.9291	----	12449	12549
50mm	1.9685	----	12450	12550
51mm	2.0079	----	12451	12551