



SPARE PARTS LIST
HTC 800HDX

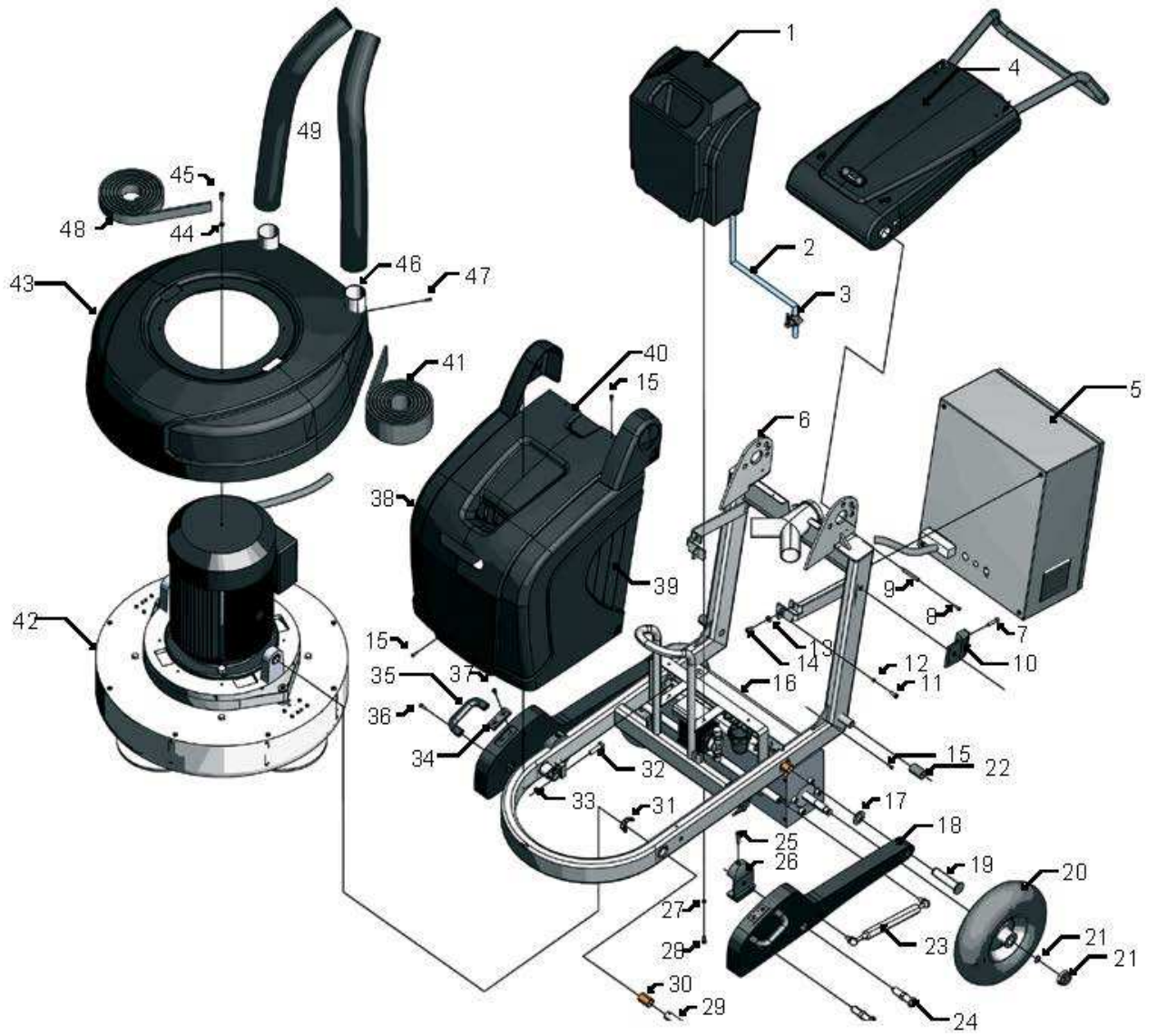




Table of contents

HTC 800HDX Chassis.....	2
HTC 800HDX Mist system.....	5
HTC 800HDX Up date with floating cover.....	7
HTC 800HDX Floating cover	8
HTC 800HDX Mist nozzle V.2	10
HTC 800HDX Handle V.1.....	11
HTC 800HDX Handle V.2.....	13
HTC 800HDX Wheel box.....	14
HTC 800HDX Grinding head	15
HTC 800HDX Grinding holder cardan - 593439001.....	19
HTC 800HDX Grinding holder polycord - 593412701	21
HTC 800HDX Electric 15Kw - 113063	23
HTC 800HDX Electric 15Kw - 113074	25

HTC 800HDX Chassis



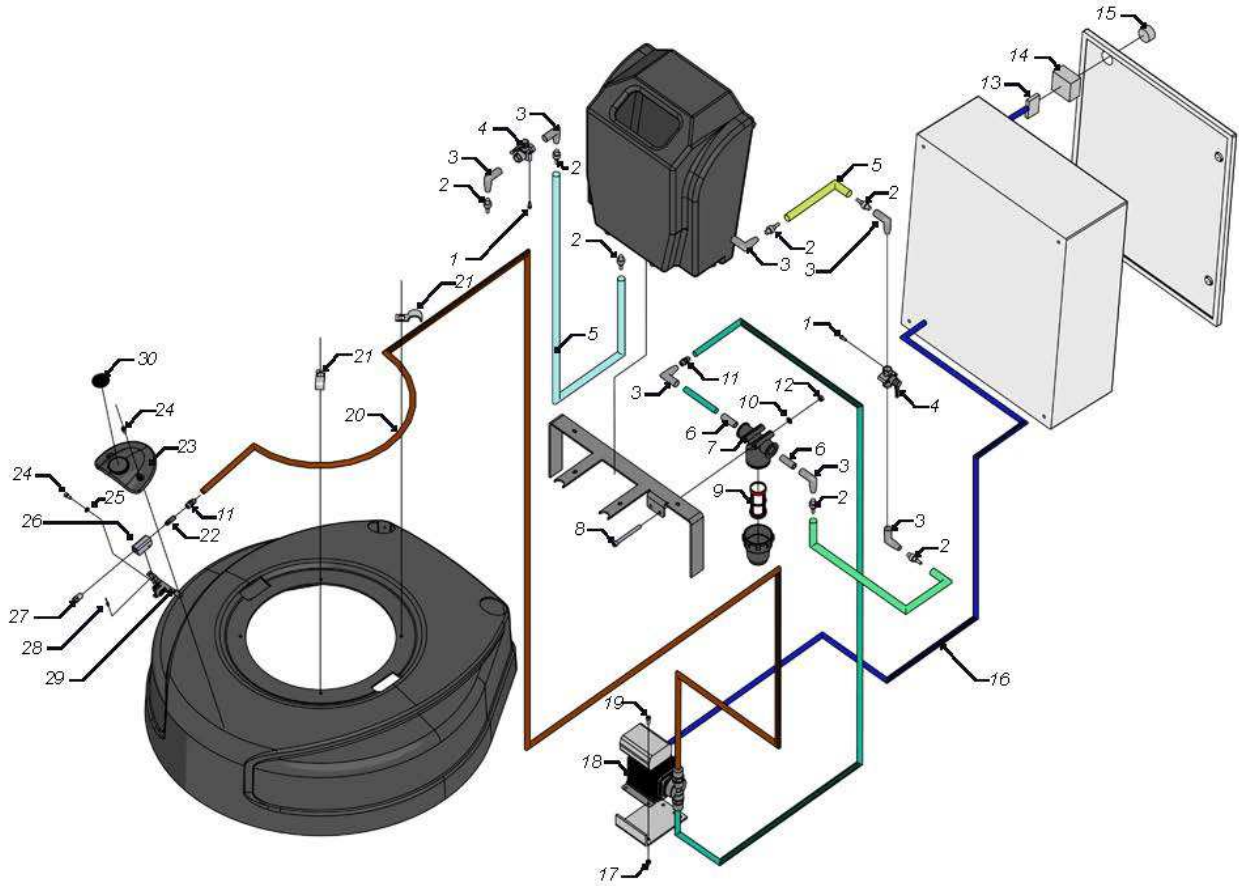
HTC 800HDX Chassis

No.	Description	Part no	Qty
1	WATER TANK	593628501	1
2	HOSE COARSE ARMoured	111104	1
3	WATER VALVE	593381001	1
4	HANDLE COMPLETE HDX	111374	1
5	POWER UNIT 15KW EU	595633001	1
	POWER UNIT 15KW US	595633301	1
6	CHASSIS HTC 800HDX	593421601	1
7	SCREW M8x35	593504001	4
8	SCREW M6x16	593500701	2
9	SPACER SCREW M6x60	593506901	2
10	WEAR PROTECTION UPPER	593422101	2
11	SCREW THERMOPLASTIC	593502601	2
12	WASHER M6	593496001	2
13	WASHER M8	593500401	4
14	SCREW M8x16	593500601	4
15	SCREW M5x16	593505001	6
16	WHEEL BOX	593446201	1
17	WASHER M24	593504401	4
18	WEIGHT 33 kg	593421901	2
19	PIN CHASSIS	593413501	2
20	WHEEL BLACK	111367	2
	WHEEL GREY	593468901	2
21	INCLUDED IN THE 111367/1113460		
22	WEIGHT STOP	593422301	2
23	GAS SPRING COMPLETE	593421701	2
24	LOCK BOLT	593431001	4

HTC 800HDX Chassis

No.	Description	Part no	Qty
25	SCREW M8x35	593504001	4
26	WEAR PROTECTION LOWER	593413801	1
27	SCREW THERMOPLASTIC	593502601	4
28	WASHER M6	593496001	4
29	SHAFT FOR SHASSIS	593422201	2
30	BUSHING BM25	593417201	4
31	LOCKING PIN	593506201	2
32	SCREW M12x45	593498001	2
33	NUT M12	593504501	2
34	PROTECTION STRIP	593422001	2
35	HANDLE	593418601	2
36	SCREW M6x20	593496701	4
37	SCREW M6x16	593500701	4
38	COVER SIDE RIGHT	593421201	1
39	COVER SIDE LEFT	593422501	1
40	COVER TOP	593421101	1
41	SPLASH GUARD	593388801	1
42	GRINDING HEAD WITHOUT MOTOR	593426601	1
43	COVER COMPLETE	593425301	1
44	WASHER M8	593500401	4
45	SCREW M8x20	593502801	4
46	EXTRACTOR	595809801	2
47	POP RIVET 4.8x12.7	593500801	4
48	VELCRO 3.8cm x 260cm	593615501	1
49	HOSE 2.2m	593479101	2

HTC 800HDX Mist system

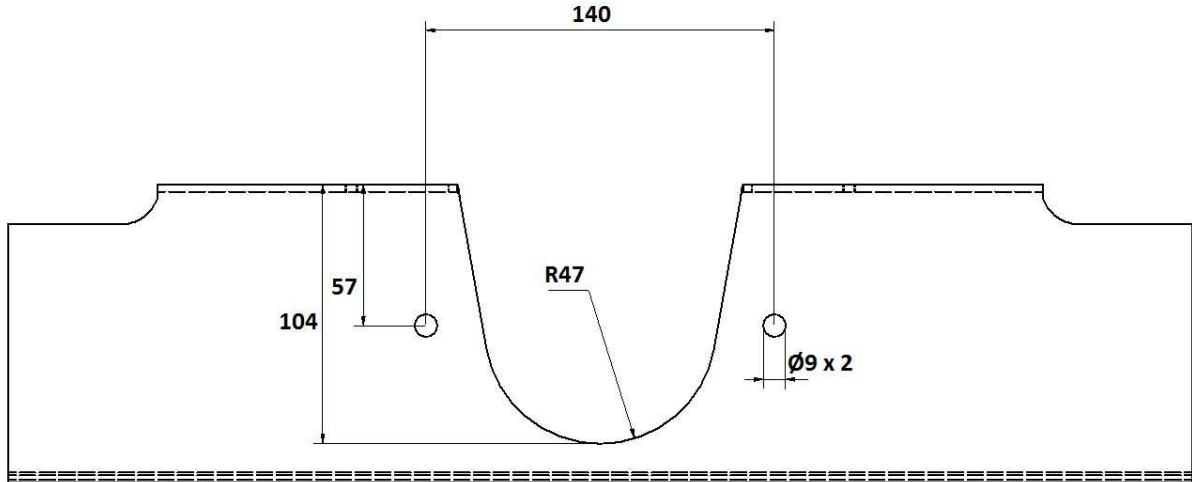


HTC 800HDX Mist system

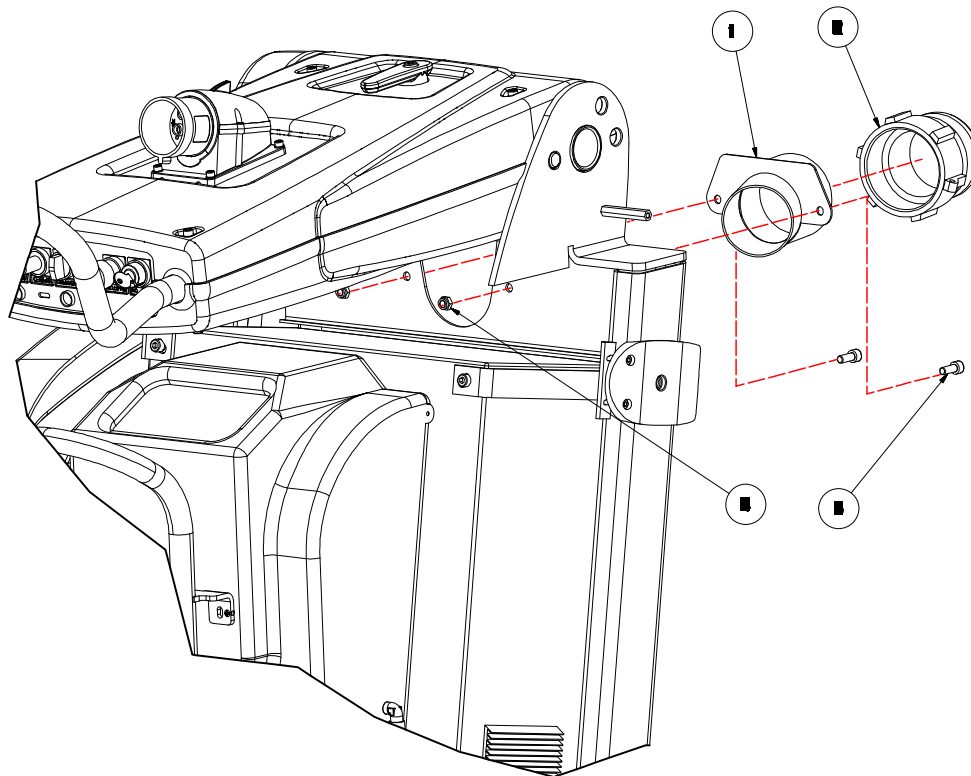
No.	Description	Art. No.	Qty
1	SCREW M5x12	593502001	4
2	HOSE CONNECTION	593391601	7
3	L-TUBE	593389601	7
4	WATER VALVE	593381001	2
5	HOSE COARSE ARMOURED 0.7m	593388601	1
6	BUSHING	593426901	2
7	FILTER COMPLETE	593423601	1
8	SCREW M8x80	595672301	2
9	FILTER INCLUDED IN 111395	593423701	
10	WASHER M8	593500401	2
11	HOSE CONNECTOR	593426801	2
12	LOCKNUT M8	593499801	2
13	CONTACT BLOCK GREEN (NO)	593399601	1
14	MOUNTING BASE	593614901	1
15	KNOB BLACK 2-POS	593429901	1
16	CABLE 2m	595816501	1
17	LOCK NUT M6	593500001	4
18	PUMP	593473301	1
19	SCREW M6x16	593500701	4
20	HOSE	593433801	1
21	CABLE CLAMP	593430301	1
22	FILTER	593423901	1
23	NOZZLE COVER	593425501	1
24	SCREW M6x12	593497301	4
25	WASHER M6	593496001	2
26	NOZZLE BRACKET	593425601	1
27	NOZZLE	593423801	1
28	POP RIVET	593500801	3
29	NOZZLE COVER BRACKET	593425701	1
30	DOMED DECAL	595811801	1

HTC 800HDX Up date with floating cover

Remove the welded hose connection and change the plate on the chassis as shown in the drawing.

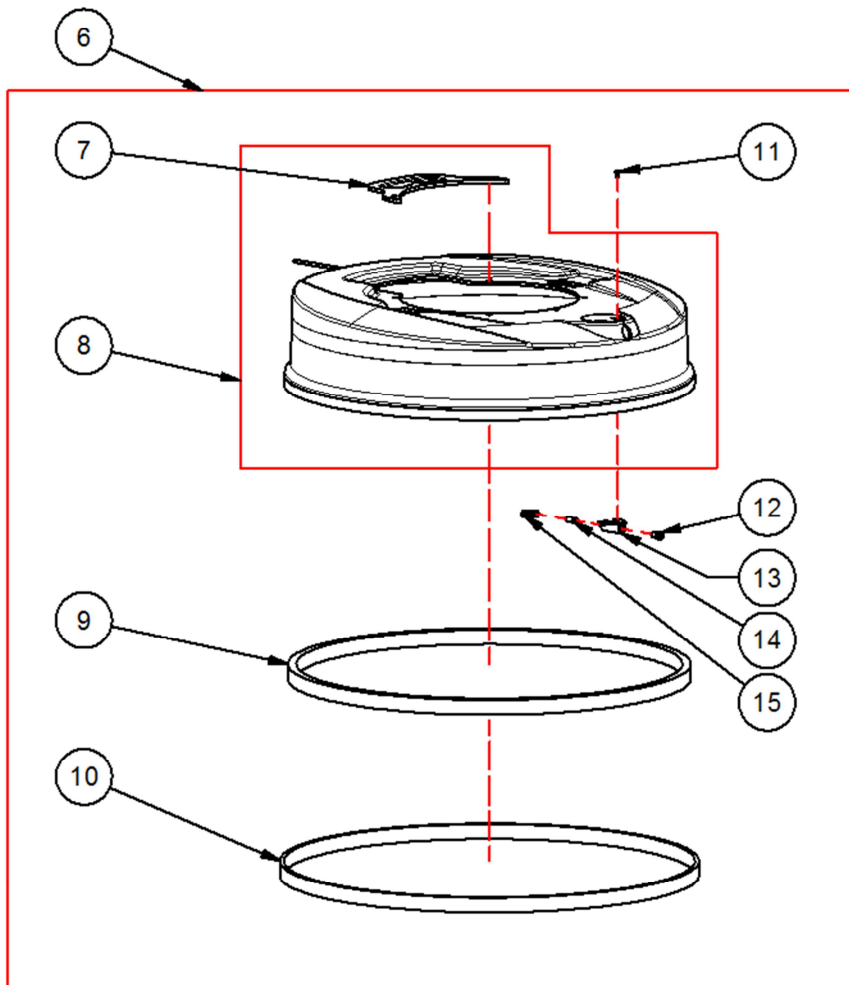
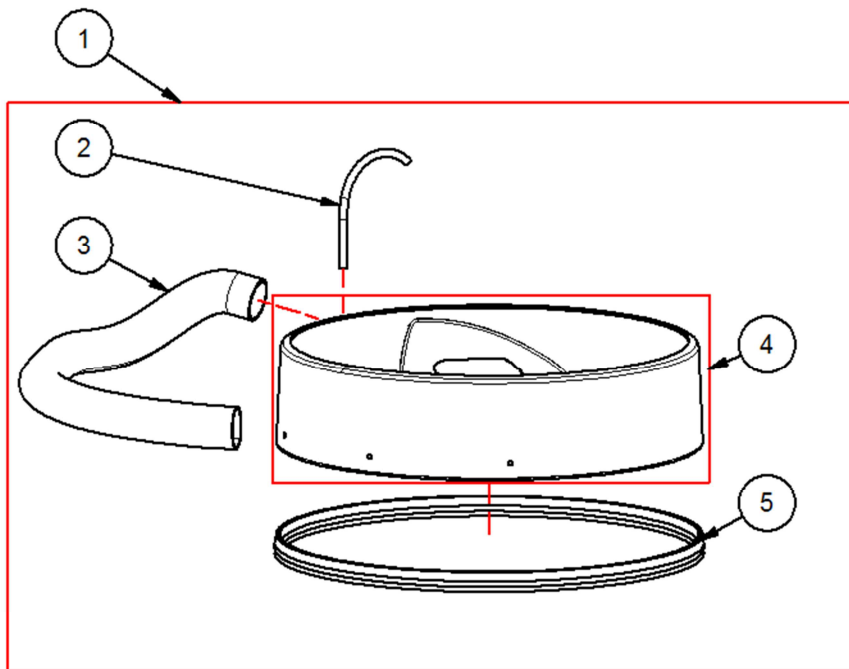


And mount the new holder.



Item	Description	Part no	Qty
1	HOLDER 3" CAMLOCK PIPE 76	593518301	1
2	CAM LOCK ADAPTER 3"	593457501	1
3	SCREW M8X20	593502801	2
4	LOCK NUT M8	593499801	2

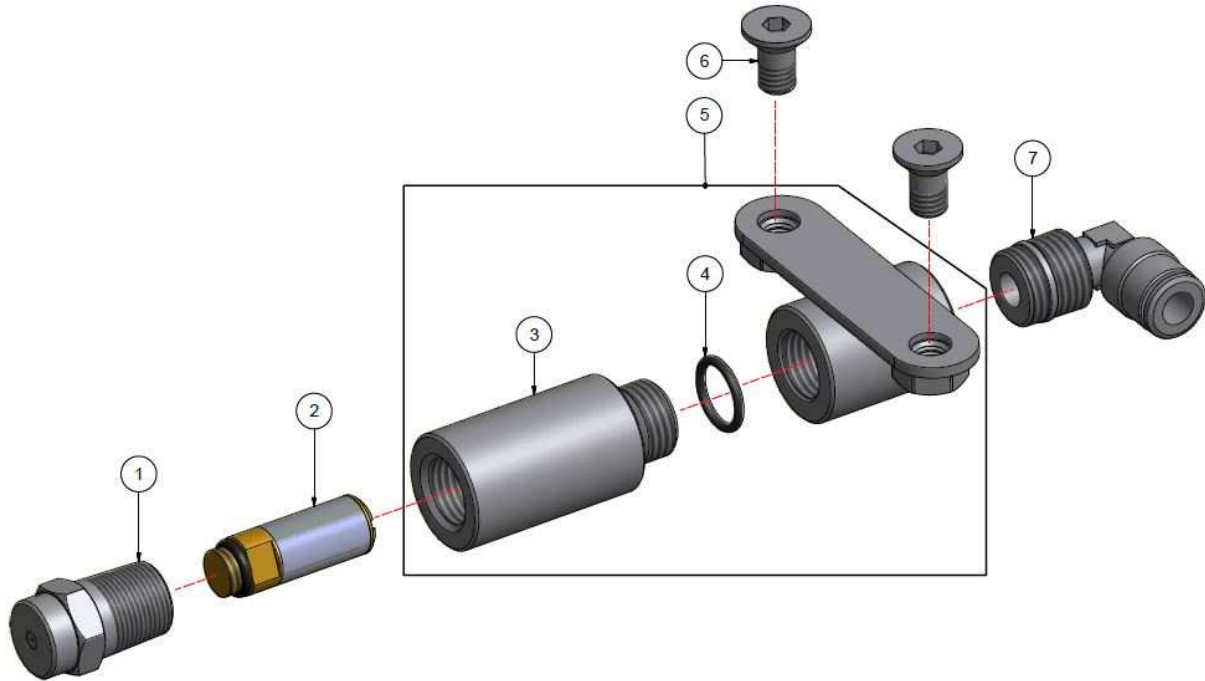
HTC 800HDX Floating cover



HTC 800HDX Floating cover

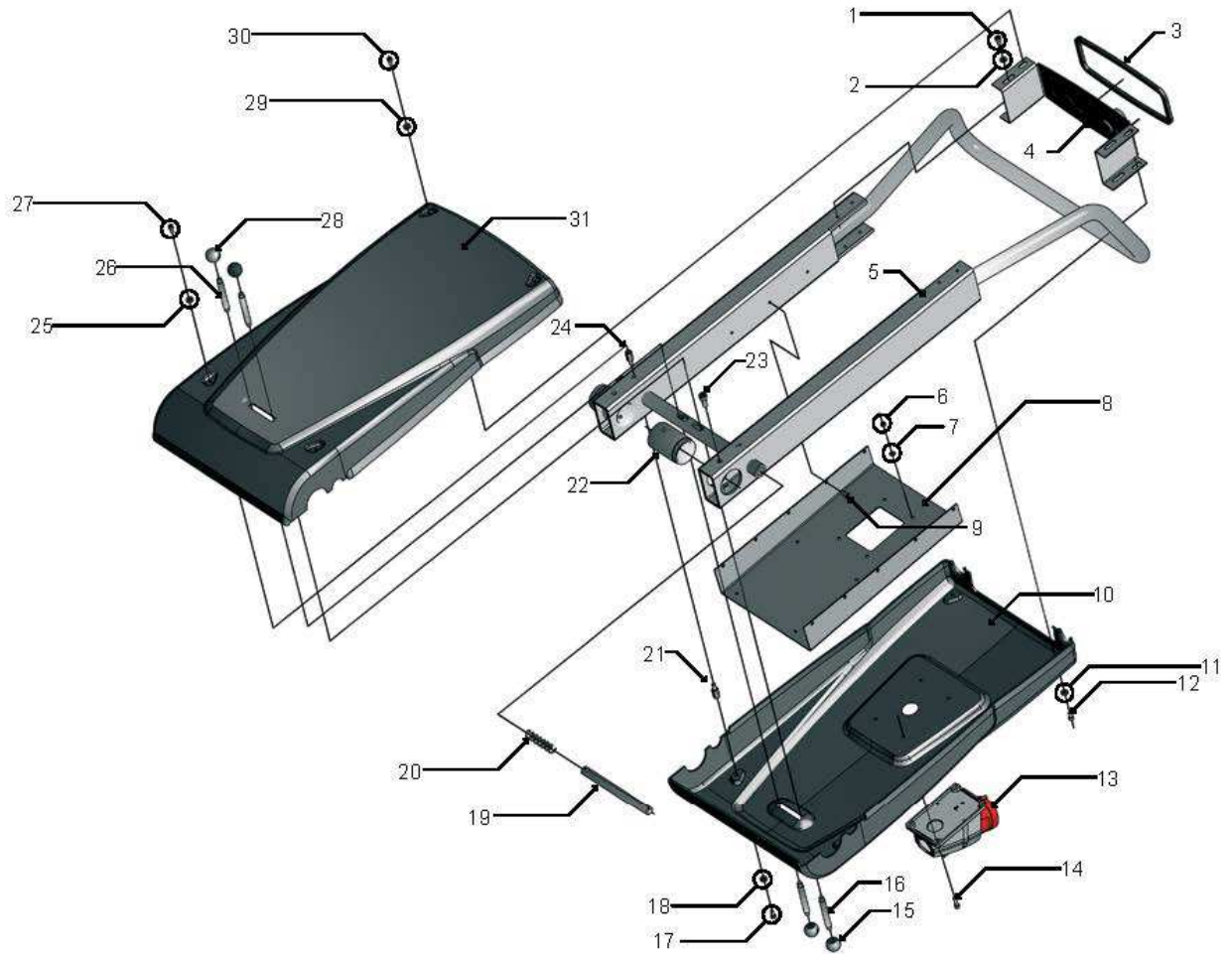
Item	Description	Part no	Qty
1	FLOATING COVER OUTER COMPL	593529301	1
2	HOSE 10MM REINFORCED	593388601	1.4m
3	HOSE 3"	593478701	1.4m
4	FLOATING COVER OUTER	593528601	1
5	BRUSH LIST 15MM	593446101	3.1m
6	FLOATING COVER INNER COMPL	593529201	1
7	COVER	595699801	1
8	FLOATING COVER INNER	595699901	1
9	FOAM VELOUR BACK 30X17	593527401	1
	VELCRO MALE 20MM	593615601	3m
10	FOAM VELOUR BACK 30X8	593527501	1
	VELCRO MALE 20MM	593615601	3m
11	SCREW M6X16	593507801	2
12	NOZZLE	593423801	1
13	MIST BRACKET	593518201	1
14	FILTER	593423901	1
15	CONNECTOR ANGLE 6MM OUTS. 1/4"	593449801	1

HTC 800HDX Mist nozzle V.2



Item	Description	Part no	Qty
1	NOZZLE	593423801	1
2	FILTER	593423901	1
3	MIST HOLDER ADAPTER (INCLUDED IN POS5)		
4	O-RING	595645001	1
5	MIST HOLDER COMPLETE	593518201	1
6	SCREW M6X16	593507801	2
7	CONNECTOR ANGLE	593449801	1

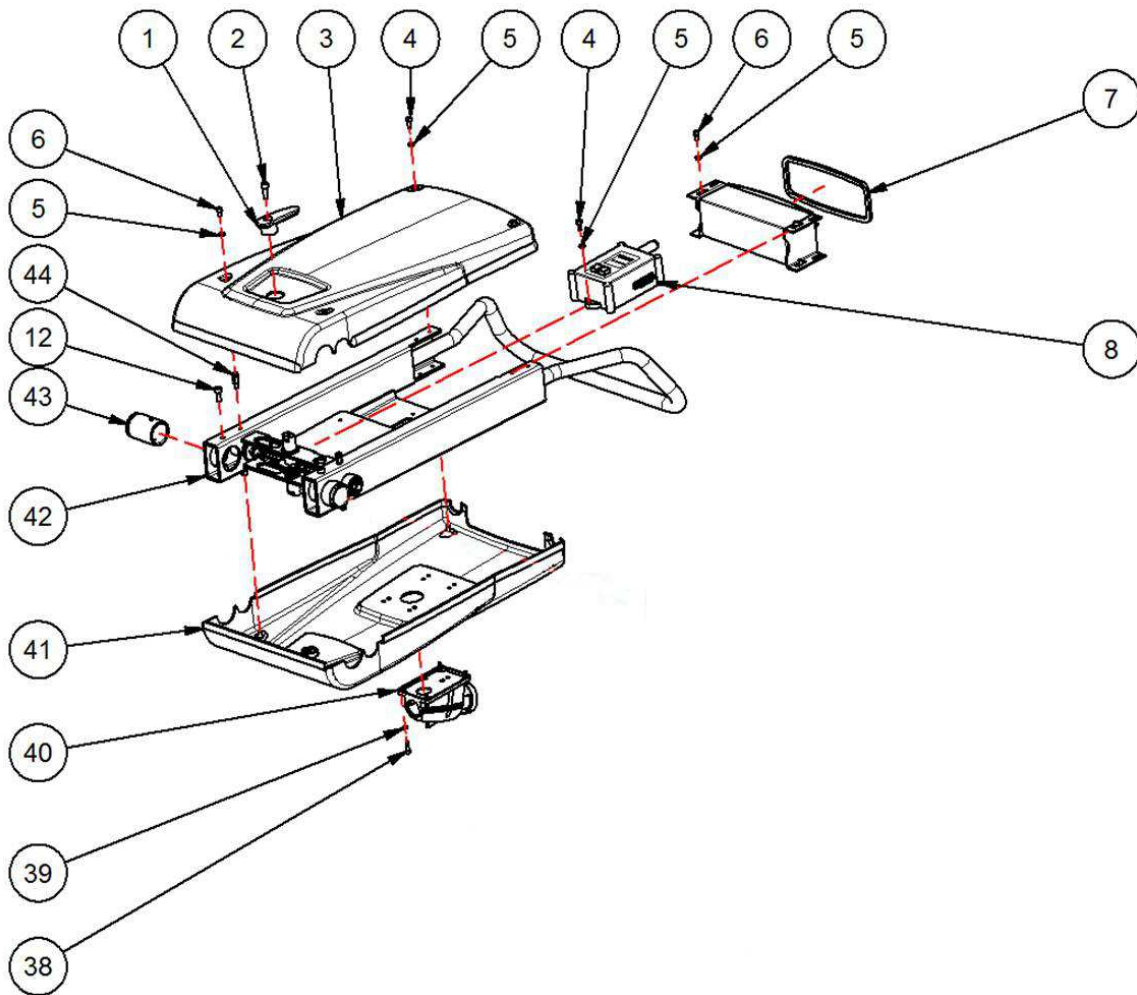
HTC 800HDX Handle V.1



HTC 800HDX Handle V.1

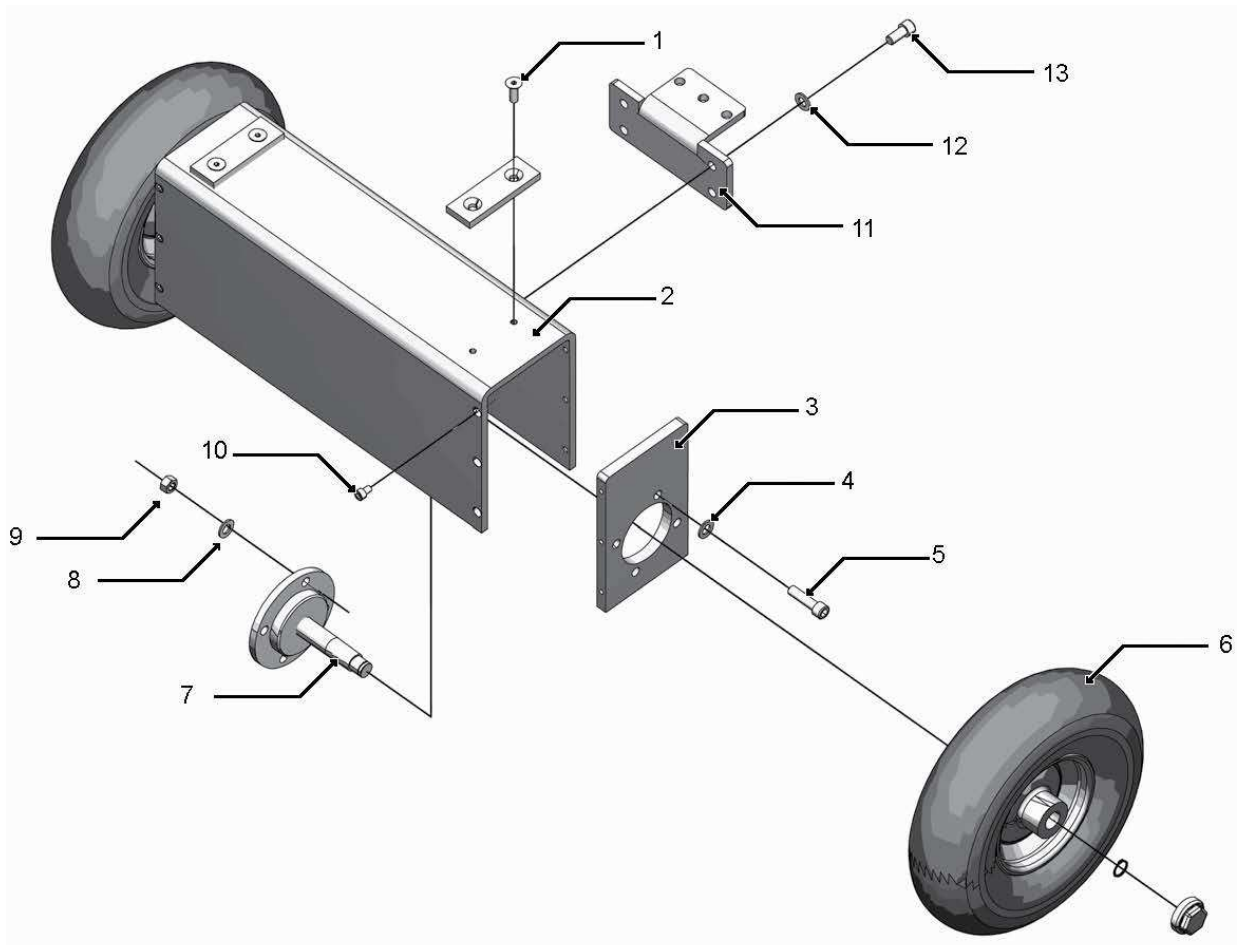
No.	Description	Art. No.	Qty
1	SCREW M6x16	593500701	4
2	WASHER M6	593496001	4
3	GASKET CONTROL PANEL	593417401	1
4	PANEL BRACKET	Discontinued	1
5	HANDLE	Discontinued	1
6	NUT M5	310193	4
7	WASHER M5	593504301	4
8	METAL BRACKET	Discontinued	1
9	SCREW M6x16	593500701	6
10	HANDLE COVER LOWER	593414501	1
11	WASHER M6	593496001	2
12	SCREW M6x16	593500701	2
13	POWER INLET 5P RED	593400101	1
	POWER INLET 5P BLACK	593401301	1
14	SCREW M5x20	593503801	4
15	HANDLE ENDS	593414101	2
16	HANDLE PIN	593413701	2
17	SCREW M6x16	593500701	2
18	WASHER M6	593496001	2
19	PIN CHASSIS	593413401	2
20	SPRING	593411101	1
21	SPACER SCREW M6x20	593503901	2
22	FASTENING PIPES	593413601	2
23	SCREW M8x25	593499601	4
24	SPACER SCREW M6x20	593503901	2
25	WASHER M6	593496001	2
26	HANDLE PIN	593413701	2
27	SCREW M6x16	593500701	2
28	HANDLE ENDS	593414101	2
29	WASHER M6	593496001	2
30	SCREW M6x16	593500701	2
31	HANDLE COVER UPPER	593414401	1

HTC 800HDX Handle V.2



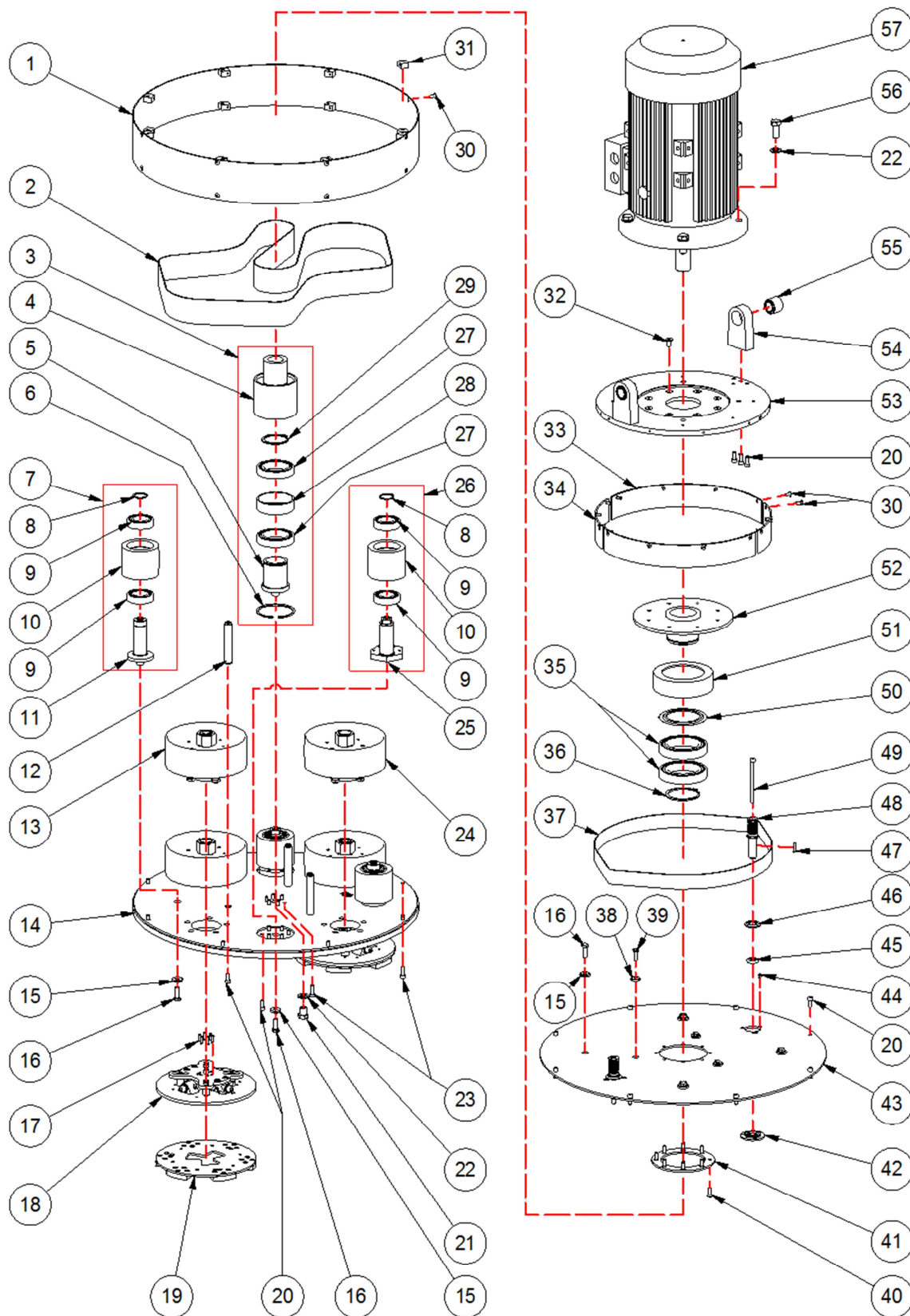
Item	Description	Part no	Qty
1	KNOB	593516201	2
2	SCREW M8x25	593499601	2
3	HANDLE COVER UPPER	593516401	1
4	SCREW M6X16	593500701	6
5	WASHER M6	593496001	10
6	SCREW M6x12	593497301	4
7	GASKET CONTROL PANEL	593417401	1
8	RADIO SYSTEM RX COMPL.	593616701	1
12	SCREW M8x25	593499601	4
38	SCREW M5x20	593503801	4
39	WASHER M5	593504301	4
40a	POWER INLET 5P BLACK	593401301	1
40b	POWER INLET 5P RED	593400101	1
41	HANDLE COVER LOWER	593516301	1
42	HANDLE WITH LOCK DEVICE	593516501	1
43	FASTENING PIPE HANDLE	593413601	2
44	SPACER SCREW M6x20	593503901	4

HTC 800HDX Wheel box



No.	Description	Part No.	Qty
1	SCREW M10x30	593502401	4
2	WHEEL BOX	593446201	1
3	WELDED INTO 112611	Cancelled	2
4	WASHER M12	593499401	8
5	SCREW M12x45	593498001	2
6	WHEEL BLACK	111367	2
	WHEEL GREY	593468901	2
7	WELDED INTO 112611	Cancelled	2
8	WASHER M12	593499401	8
9	NUT M12	593504501	8
10	SCREW M8x20	593502801	12
11	PULL BRACKET	111014	1
12	WASHER M12	593499401	4
13	SCREW M12x25	593495901	4

HTC 800HDX Grinding head



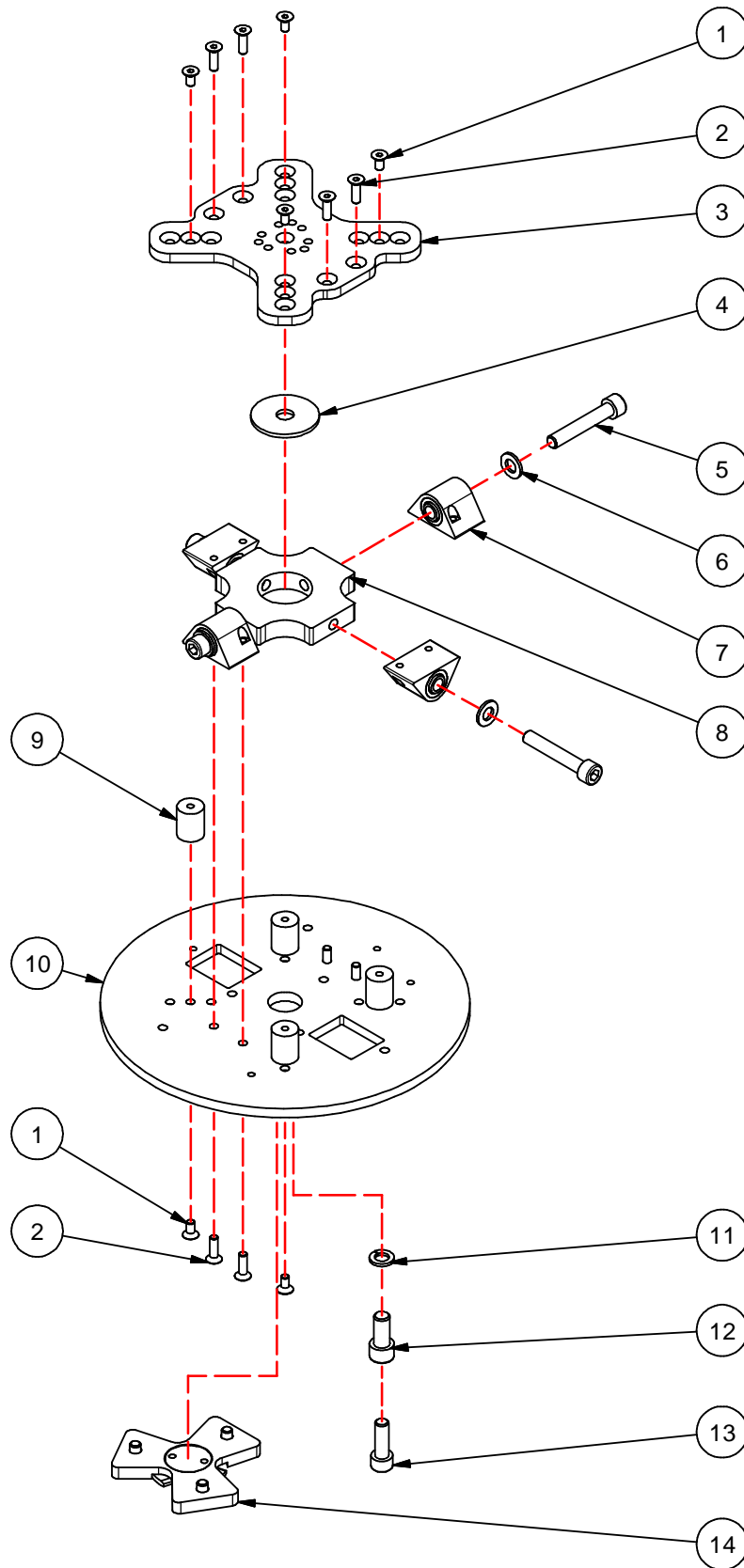
HTC 800HDX Grinding head

Item	Description	Part no	Qty
1	BORDER	593415301	1
2	INNER BELT	593418901	1
3	CENTER BELT PULLEY COMPLETE	593412501	1
4	CENTER BELT PULLEY	593409401	1
5	SHAFT CENTER BELT PULLEY	593409201	1
6	CIRCLIP SGH 100	593503001	1
7	BELT TENSIONER COMPLETE	593412601	2
8	CIRCLIP SGA 35	593498101	4
9	BALL BEARING 6207	593385101	8
10	PRESS WHEEL	593410701	4
11	PRESS WHEEL AXLE	593410601	2
12	SHAFT SUPPORT	593409901	3
13	HUB COMPLETE (DRIVING)	593412401	2
14	LOWER PLATE	595810301	1
15	WASHER M10	593498501	8
16	SCREW M10x30	593499701	8
17	CP 6H8x20	593498901	24
18	GRIND HOLDER CARDAN COMPLETE	593439001	4
19	TOOL HOLDER	593319105	4
20	SCREW M8x20	593502801	29
21	SCREW M16x20	593505701	4
22	WASHER M16	593497501	8
23	SCREW M8x25	593499601	14
24	HUB COMPLETE (NOT DRIVING)	593424401	2
25	PRESS WHEEL AXEL ECCENTRIC	110965	2
26	PRESS WHEEL ECCENTRIC COMPLETE	595637101	2
27	BALL BEARING 6013	593411301	2
28	CENTER HUB SPACER	593409301	1
29	CIRCLIP SGA 65	593502901	1
30	SCREW M6x16	593507801	30
31	FIXING BOSS	593410201	16
32	SCREW M10x20	593500501	8
33	BELT RING PART 2 LONG	593426401	2
34	BELT RING PART 1 SHORT	593426301	2
35	BALL BEARING 6017	593411801	2
36	CIRCLIP SGA 85	593503201	1
37	UPPER BELT	593418201	1
38	WASHER M8	593496201	3
39	SCREW M8x25	593495201	3
40	SCREW M8x25	593501701	8
41	COVER CENTER HUB	593409801	1

HTC 800HDX Grinding head

Item	Description	Part no	Qty
42	SPACER	593410301	2
43	UPPER PLATE	593416101	1
44	SCREW M5x8	593497201	6
45	RADIAL SEAL	593411501	2
46	GAMMA RING	593411601	2
47	KEYS RK 6x6X25	593505401	2
48	SHAFT TAP	593410501	2
49	SCREW M8x120	593505901	2
50	NILOS RING 6017	593411701	1
51	BEARING CUP	593409501	1
52	HUB MOTOR PLATE	593415801	1
53	MOTOR PLATE	593416001	1
54	HOLD	593422601	2
55	BUSHING 25-40/30-35	593421801	2
56	SCREW M16x40	593508601	4
57	MOTOR 15KW	593464601	1

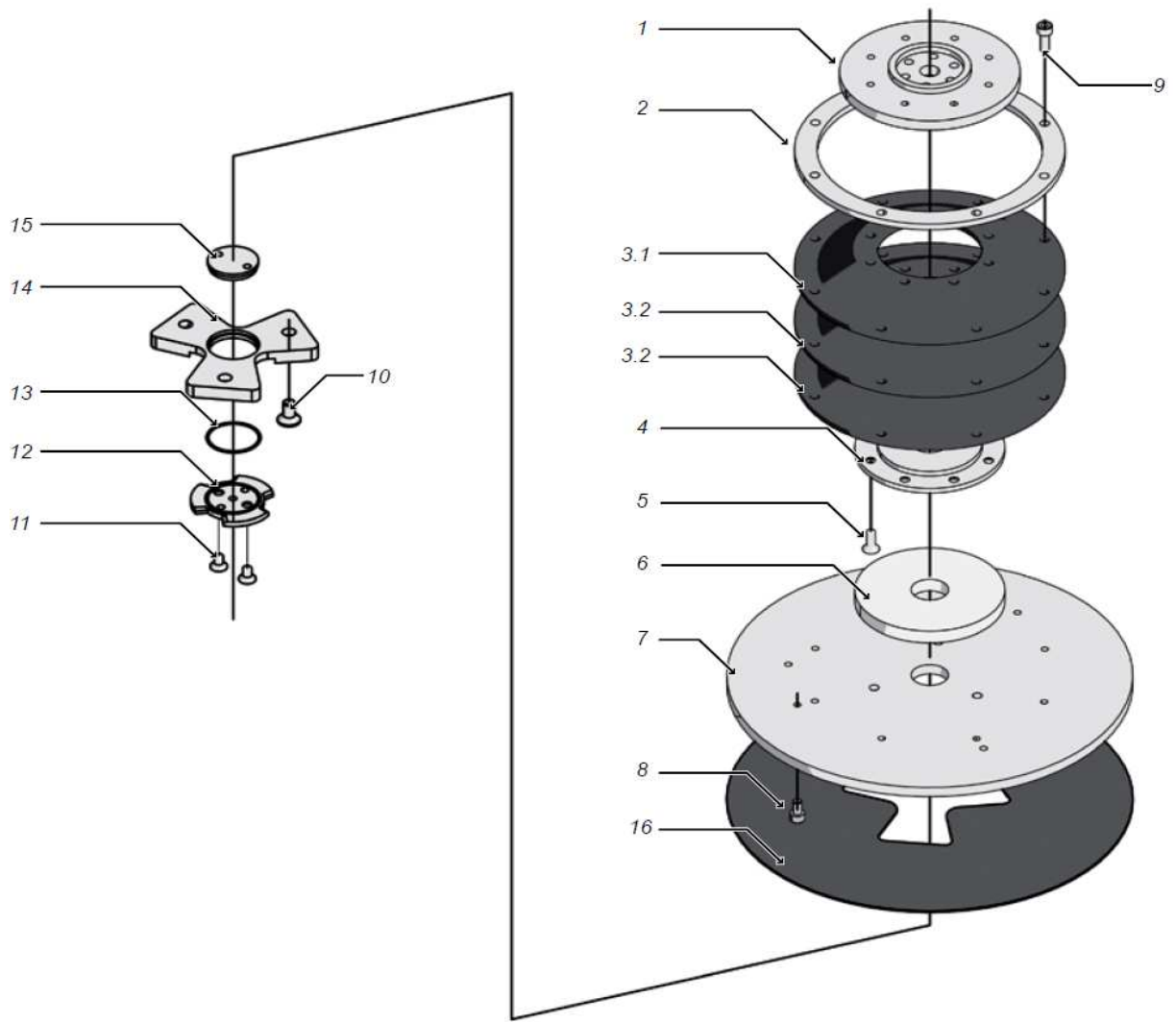
HTC 800HDX Grinding holder cardan - 112251



HTC 800HDX Grinding holder cardan - 112251

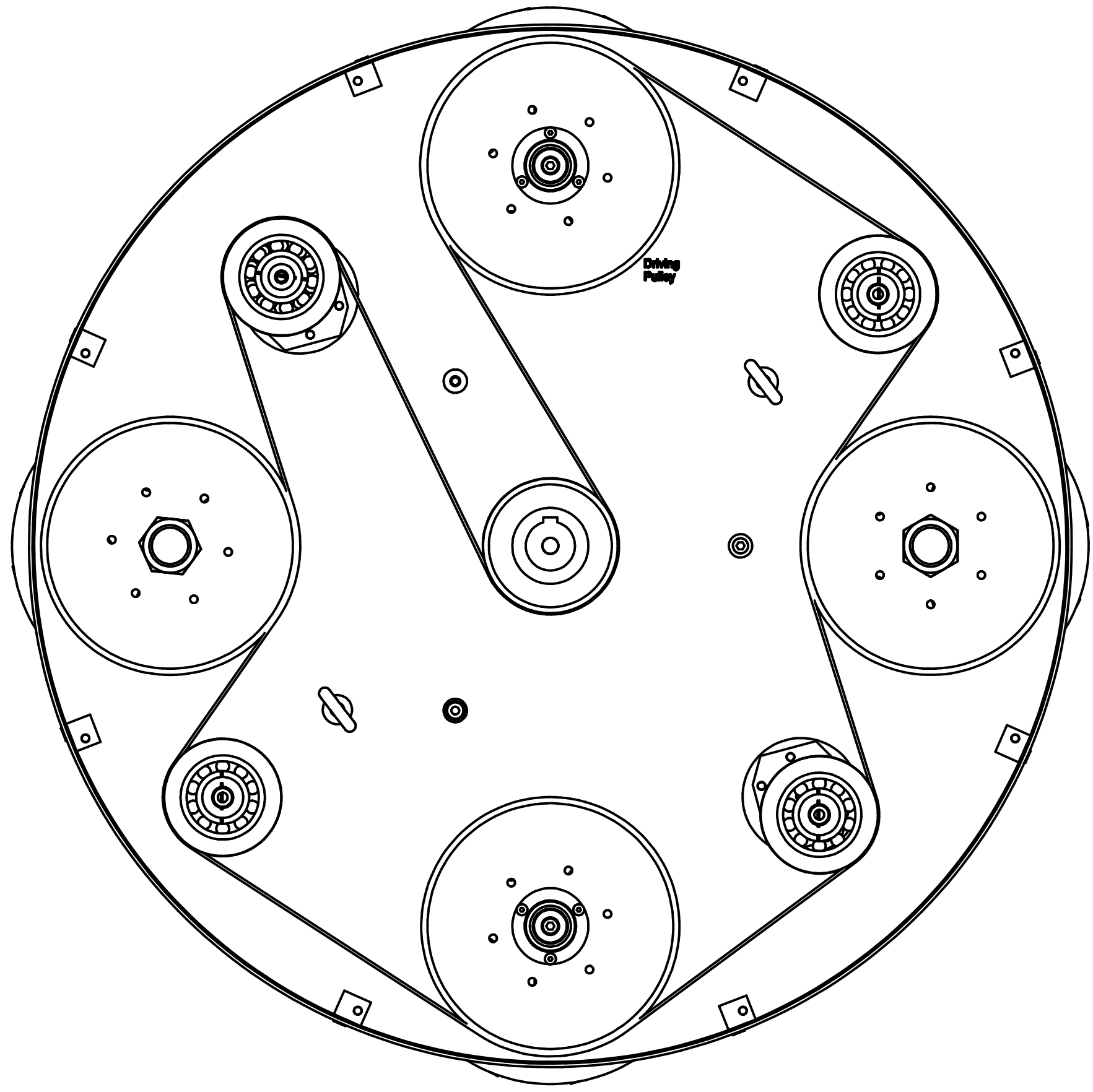
Item	Description	Part no	Qty
1	SCREW M6x12	593508501	8
2	SCREW M6x20	593505101	8
3	UPPER GRIND HOLDER PLATE	593438201	1
4	WASHER	593438601	1
5	SCREW M10x60	593496601	4
6	WASHER M10	593499101	4
7	EAR WIDE COMPLETE	593718101	4
8	CARDAN CONNECTION	593438401	1
9	SHOCK ABSORBER 20x25 M6	595748401	4
10	GRIND HOLDER PLATE	593438501	1
11	WASHER M12	593509901	1
12	SCREW M12x25	593503601	1
13	SCREW M10x30	593504101	1
14	CROSS COMPLETE	593615901	1

HTC 800HDX Grinding holder polycord - 110968

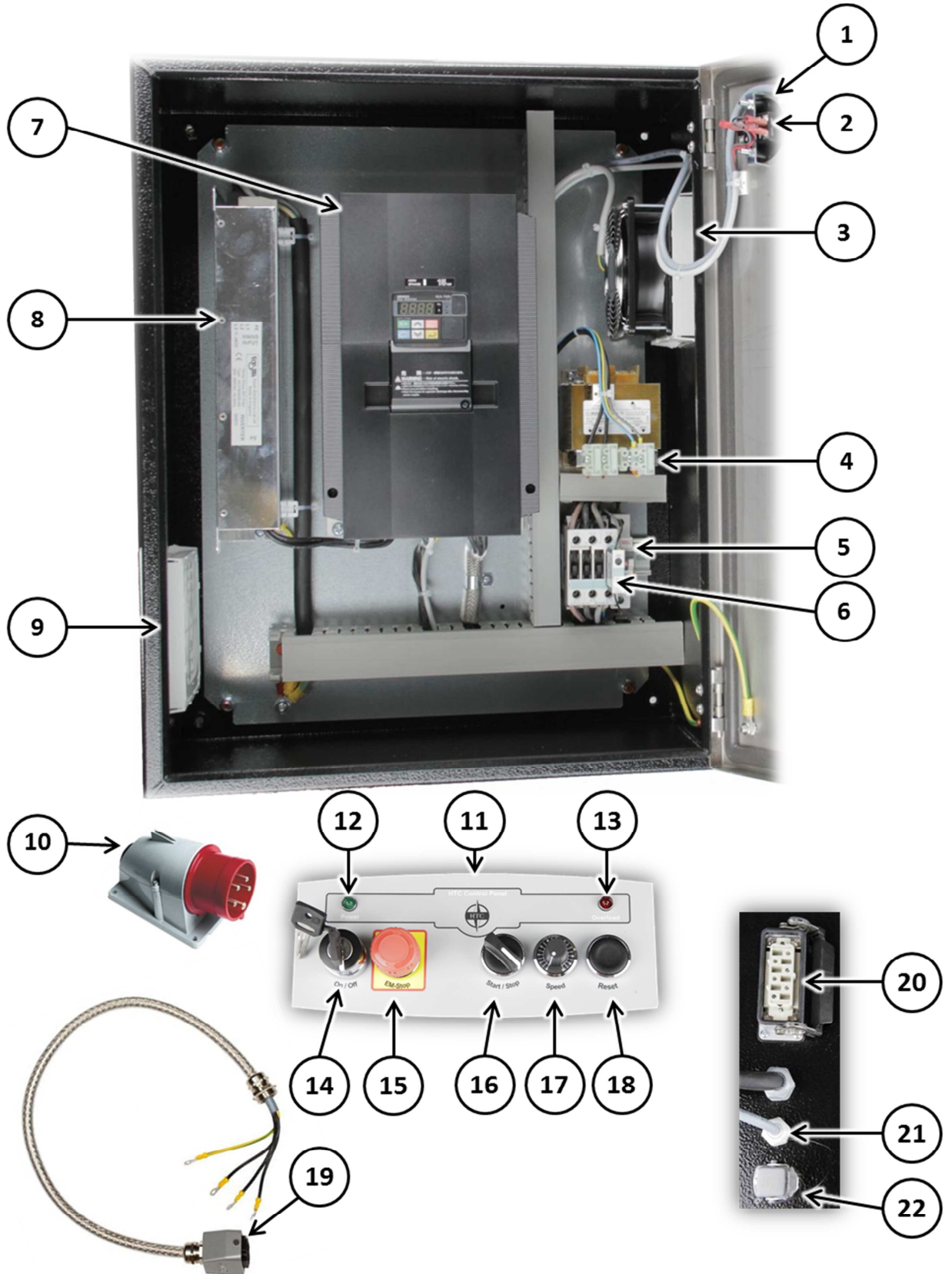


HTC 800HDX Grinding holder polycord - 110968

Item	Description	Part no	Qty
1	GRINDING HOLDER UPPER	593411001	1
2	POLYCORD HOLDER OUTER	593412101	1
3,1	POLYCORD BLACK 184mm	593397001	1
3,2	POLYCORD GREEN 184mm	593396801	2
4	POLYCORD HOLDER INNER	593412001	1
5	SCREW M6x16	593507801	8
6	SPRING	593411101	1
7	GRINDING HOLDER LOWER	593412201	1
8	SCREW M6x10	Cancelled	1
9	SCREW M6x16	593500701	8
10	SCREW M8x16	593499901	3
11	SCREW M6x9	Cancelled	2
12	CROSS PIECE PART 2	Cancelled	1
13	O-RING	Cancelled	1
14	CROSS-PIECE PART 1	Cancelled	1
15	CROSS-PIECE PART 3	Cancelled	1
16	VELCRO	Cancelled	1



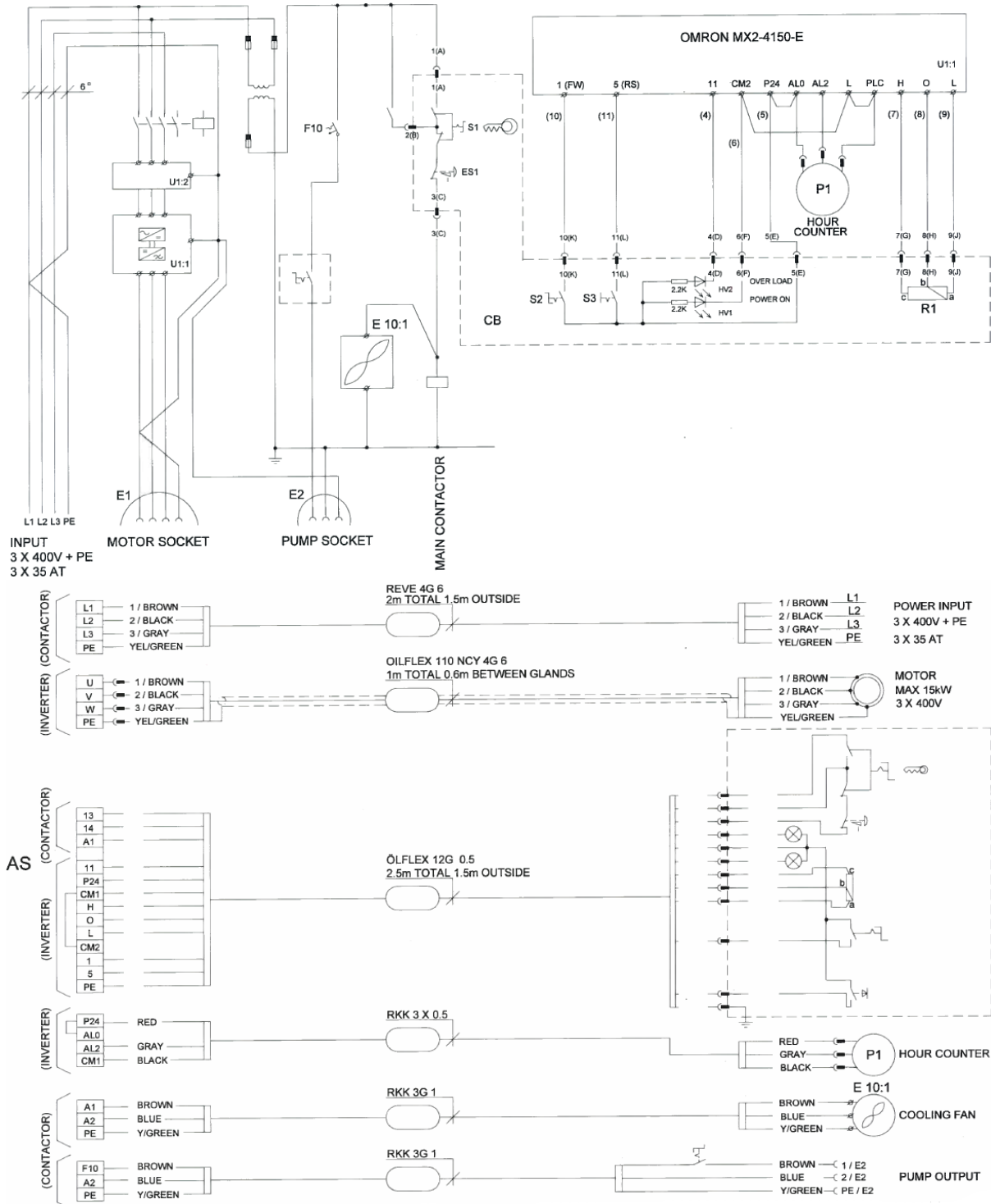
HTC 800HDX Electric 15Kw - 113063



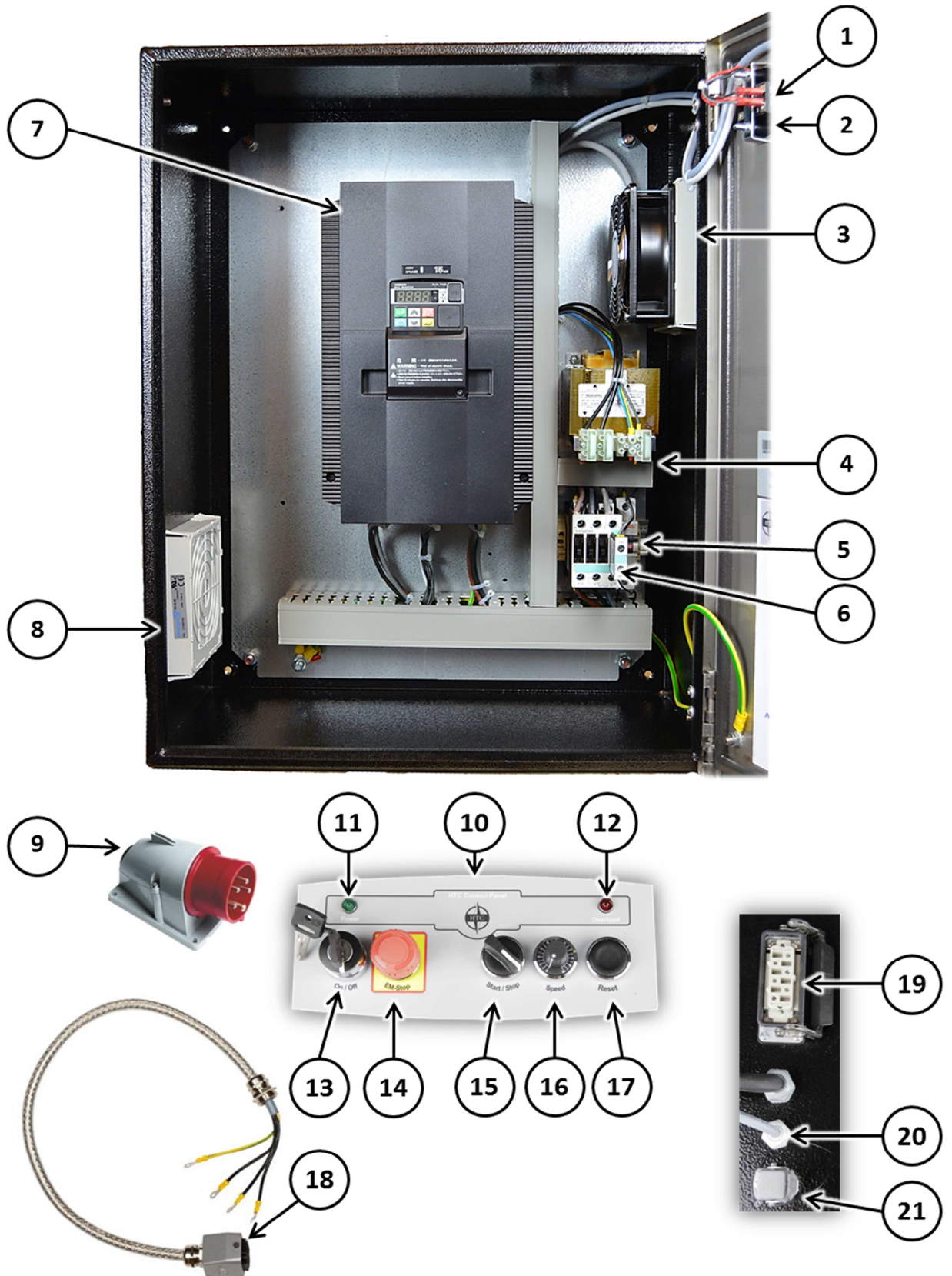
HTC 800HDX Electric 15Kw - 113063

Item	Description	Part no	Qty
1	MIST SWITCH	593429901	1
	MOUNTING BASE	593614901	1
	CONTACT BLOCK GREEN (NO)	593399601	1
2	HOUR METER	593395301	1
3	FILTER FAN	593468001	1
	FILTER HOLDER	595807501	1
4	TRANSFORMER	593466301	1
	FUSE 1.6A	595807801	3
5	FUSE 1-POL C1A	595733001	1
6	CONTACTOR	593427001	1
	AUXILIARY SWITCH	595807301	1
7	INVERTER	593466201	1
8	EMC FILTER	593467301	1
9	FILTER HOLDER	595807501	1
10	POWER INLET	593400101	1
11	OPERATOR PANEL	595814601	1
12	LED GREEN	593472301	1
13	LED RED	595642401	1
14	KEY KNOB 3-POS	593435801	1
	MOUNTING BASE	593614901	1
	CONTACT BLOCK RED (NC)	593399701	1
	CONTACT BLOCK GREEN (NO)	593399601	1
15	EMERGENCY STOP PRESS BUTTON	593398901	1
	MOUNTING BASE	593614901	1
	CONTACT BLOCK GREEN (NO)	593399601	1
16	KNOB 2-POS	593429901	1
	MOUNTING BASE	593614901	1
	CONTACT BLOCK GREEN (NO)	593399601	1
17	POTENTIOMETER KNOB	593420701	1
	POTENTIOMETER	593398501	1
18	PRESS BUTTON	593399401	1
	MOUNTING BASE	593614901	1
	CONTACT BLOCK GREEN (NO)	593399601	1
19	MOTOR CABLE	593405901	1
20	MOTOR CABLE INLET	593554701	1
21	CONTROL PANEL CABLE	593449201	1
22	MIST CABLE OUTLET	595735701	1

MODIFIED PARAMETERS					
MENUE	PARAMETER	VALUE	MENUE	PARAMETER	VALUE
F002	ACC. TIME	4s	C004	TERM. (4) FUNC.	13 (USP)
F003	DEC. TIME	4s	C005	TERM. (5) FUNC.	18 (RES)
A004	MAX FREQ.	90Hz	C014	TERM. (4) ACT.	1 (NC)
A011	O-L INPUT ACT.	20Hz	C021	TERM. (11) FUNC.	3 (O-L)
A012	O-L INPUT ACT.	90Hz	C022	TERM. (12) FUNC.	0 RUN)
A044	V/F CHARACTER.	3A	C026	ALARM REL.	0 (RUN)
b002	ALLOW. U-V	5s	C041	O-L LEVEL SET.	32A
b022	O-L RESTRIC.	48A	H005	TBD	10
b092	COOLING FAN	0 (On)	b031	SOFT LOCK	02



HTC 800HDX Electric 15Kw - 113074



HTC 800HDX Electric 15Kw - 113074

Item	Description	Part no	Qty
1	MIST SWITCH	593429901	1
	MOUNTING BASE	593614901	1
	CONTACT BLOCK GREEN (NO)	593399601	1
2	HOUR METER	593395301	1
3	FILTER FAN	593468001	1
	FILTER HOLDER	595807501	1
4	TRANSFORMER	593466301	1
	FUSE 1.6A	595807801	3
5	FUSE 1-POL C1A	595733001	1
6	CONTACTOR	593427001	1
	AUXILIARY SWITCH	595807301	1
7	INVERTER	593466201	1
8	FILTER HOLDER	595807501	1
9	POWER INLET	593401301	1
10	OPERATOR PANEL	595814601	1
11	LED GREEN	593472301	1
12	LED RED	595642401	1
13	KEY KNOB 3-POS	593435801	1
	MOUNTING BASE	593614901	1
	CONTACT BLOCK RED (NC)	593399701	1
	CONTACT BLOCK GREEN (NO)	593399601	1
14	EMERGENCY STOP PRESS BUTTON	593398901	1
	MOUNTING BASE	593614901	1
	CONTACT BLOCK GREEN (NO)	593399601	1
15	KNOB 2-POS	593429901	1
	MOUNTING BASE	593614901	1
	CONTACT BLOCK GREEN (NO)	593399601	1
16	POTENTIOMETER KNOB	593420701	1
	POTENTIOMETER	593398501	1
17	PRESS BUTTON	593399401	1
	MOUNTING BASE	593614901	1
	CONTACT BLOCK GREEN (NO)	593399601	1
18	MOTOR CABLE	593405901	1
19	MOTOR CABLE INLET	593554701	1
20	CONTROL PANEL CABLE	593449201	1
21	MIST CABLE OUTLET	595735701	1

MODIFIED PARAMETERS					
MENUE	PARAMETER	VALUE	MENUE	PARAMETER	VALUE
F002	ACC. TIME	4s	C004	TERM. (4) FUNC.	13 (USP)
F003	DEC. TIME	4s	C005	TERM. (5) FUNC.	18 (RES)
A004	MAX FREQ.	90Hz	C014	TERM. (4) ACT.	1 (NC)
A011	O-L INPUT ACT.	20Hz	C021	TERM. (11) FUNC.	3 (O-L)
A012	O-L INPUT ACT.	90Hz	C022	TERM. (12) FUNC.	0 RUN)
A044	V/F CHARACTER.	3A	C026	ALARM REL.	0 (RUN)
b002	ALLOW. U-V	5s	C041	O-L LEVEL SET.	32A
b022	O-L RESTRIC.	48A	H005	TBD	10
b092	COOLING FAN	0 (On)	b031	SOFT LOCK	02

