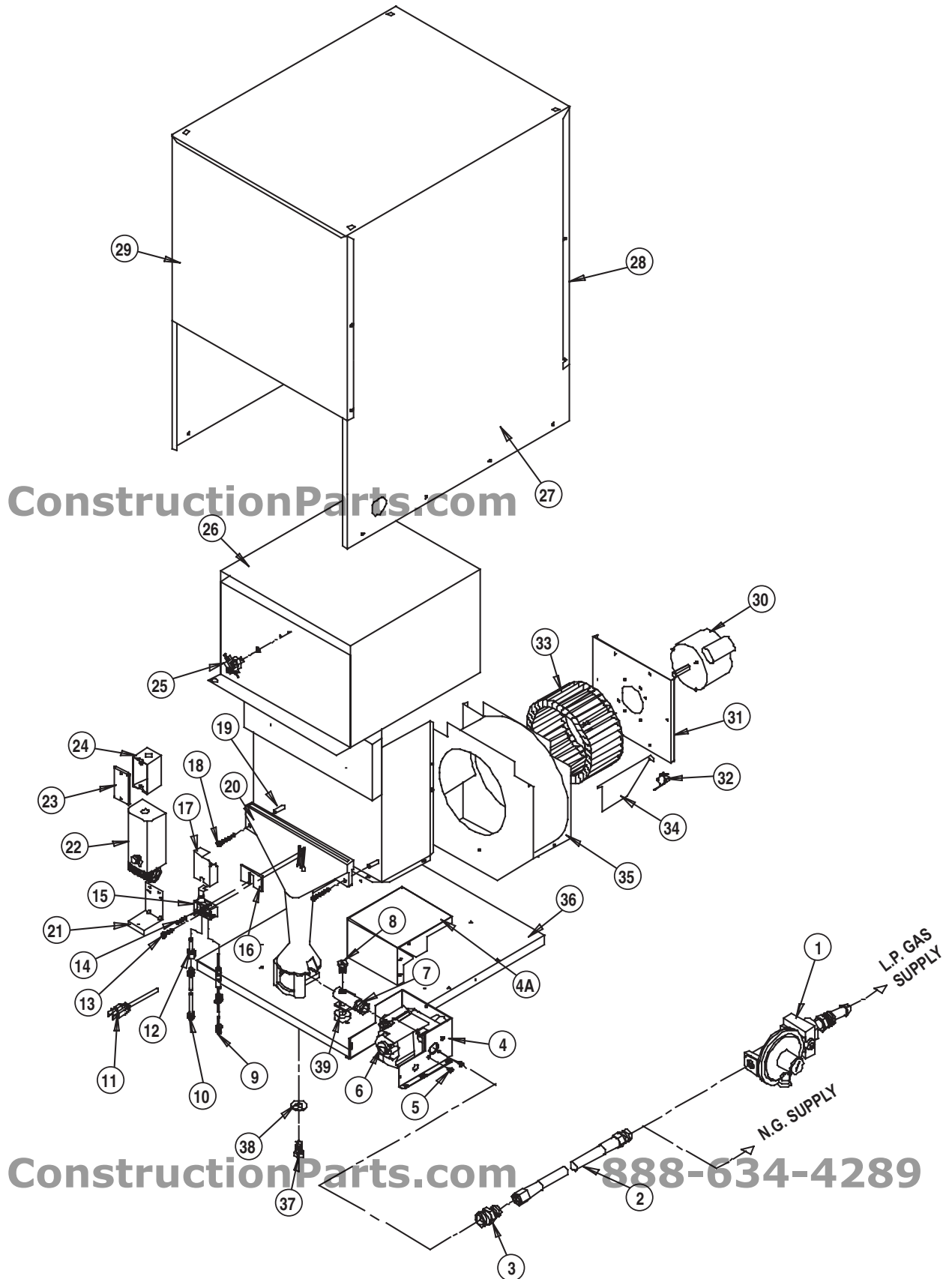


Parts Identification

Classic 170-170N
Models 408K/410K

888-634-4289

PARTS SCHEMATIC



PARTS LIST

Item	Description	Part Number
1	Regulator, Single Stage (Propane Gas)	09914
	Regulator, Second Stage (Propane Gas)	06665
2	Hose, 1/2 in. x 10 ft.	20504
3	Adapter, 1/2 NPT x 1/2 NPS	02894
4	Bracket, Gas Control Valve	23975
4a	Cover	23972
5	Screw	09425
6	Valve, Gas Control (Propane Gas)	21615
	Valve, Gas Control (Natural Gas)	21616
7	Manifold	07826
8	Orifice, Burner (Propane Gas)	21573
	Orifice, Burner (Natural Gas)	21574
9	Thermocouple, 18 in.	03555
10	Tube, Pilot	22204
11	Cord, Power, 5 ft.	01220
12	Orifice, Pilot (Propane Gas)	02689
	Orifice, Pilot (Natural Gas)	02740
13	Screw, Pilot	03070
14	Stud	07827
15	Pilot Assembly with Orifice (Propane Gas)	02729
	Pilot Assembly with Orifice (Natural Gas)	02741
16	Gasket	06974
17	Shield, Pilot	20264
18	Screw, Burner Mounting	02688
19	Spacer	02687
20	Burner	03453
21	Bracket, Thermostat	05493
22	Thermostat, with Bracket	05568
23	Cover, Junction Box	03231
24	Junction Box	03230
25	Switch, High Limit	05566
26	Chamber, Heat	21602
27	Case Assembly (1)	02673
28	Panel, Motor End	07332
29	Panel, Burner End (1)	07333
30	Motor	20554
31	Mount, Motor	03764
32	Switch, Air Proving	02680
33	Wheel, Fan	02684
34	Flapper, Sail	02441
35	Housing, with Air Proving Switch and Flapper	05570
36	Base	21586
37	Bolt	07908
38	Washer	01589
39	Spacer	07905

(1) Specify model number for dataplate when ordering.

DESCRIPTION	WIRE SELECTION TABLE		PART NO.
	COLOR	LENGTH	
Wire, High Limit to Air Proving Switch	Black	60 in.	20425
Wire, Gas Control to High Limit	Black	41 in.	21592
Wire, Gas Control to Thermostat	White	28 in.	21593
Wire, Air Proving Switch to Thermostat	Black	55 in.	21591
Wire, Motor	Black	52 in.	21589
Wire, Motor	White	52 in.	21590

DESCRIPTION	FASTENER SELECTION TABLE		PART NO.
	APPLICATION		
Screw, #8 x 3/8	Case		07288