



PARTS LIST FOR
AIR COMPRESSOR/GENERATOR
AG1-PH65-08M1
AG1-PR07-08M1

ENGINE:		WATTS W/COMPRESSOR:	600
AG1-PH65-08M1	HONDA	WATTS W/O COMPRESSOR:	1600
AG1-PR07-08M1	SUBARU		
ENGINE OIL GRADE:	SAE 10W-30		
ENGINE OIL CAPACITY:	20 oz.		
MAXIMUM PRESSURE	125 PSI / 175 PSI		
COMPRESSOR OIL GRADE:	SAE30W Non-Detergent		
COMPRESSOR OIL CAPACITY:	17.3 oz.		

This Parts Listing has been compiled for your benefit. You can be assured your Mi-T-M Air Compressor/Generator was constructed and designed with quality and performance in mind. Each component has been rigorously tested to insure the highest level of acceptance.

The contents of this Parts Listing are based on the latest product information available at the time of publication. Mi-T-M reserves the right to make changes in price, color, materials, equipment, specifications or models at any time without notice.

WARNING

THIS IS A PROFESSIONAL AIR COMPRESSOR/GENERATOR. CAUTION SHOULD BE OBSERVED WHEN USING OR REPAIRING THIS UNIT! READ AND FOLLOW THE SAFETY WARNINGS LISTED BELOW BEFORE ATTEMPTING ANY REPAIRS ON THIS AIR COMPRESSOR/GENERATOR!

SAFETY WARNINGS

1. NEVER alter or modify the equipment. Be sure any accessory items and system components being used will withstand the pressure developed. Serious injury may occur from an air compressor malfunction or exploding accessories if incorrect system components, attachments or accessories are used. NEVER exceed manufactures maximum allowable pressure rating of attachments. Use only genuine Mi-T-M parts for repair of your air compressor/ generator. Failure to do so can cause hazardous operating conditions and will VOID warranty.
2. NEVER make adjustments on machinery while the unit is connected to the engine without first removing the ignition cable from the spark plug. Turning over the machinery by hand during adjustment or cleaning might start the engine and machinery with it, causing serious injury to the operator.
3. Know how to stop and bleed pressures quickly. Be thoroughly familiar with controls. Do not operate without protective covers/ guards.
4. Before servicing the unit, turn unit off, relieve the pressure and allow the unit to cool down. Service in a clean, dry, flat area. Block the wheels to prevent the unit from moving. Be especially careful to properly dispose of any flammable materials.
5. After testing the machine, DO NOT leave the pressurized unit unattended. Shut off the unit and release pressure before leaving.

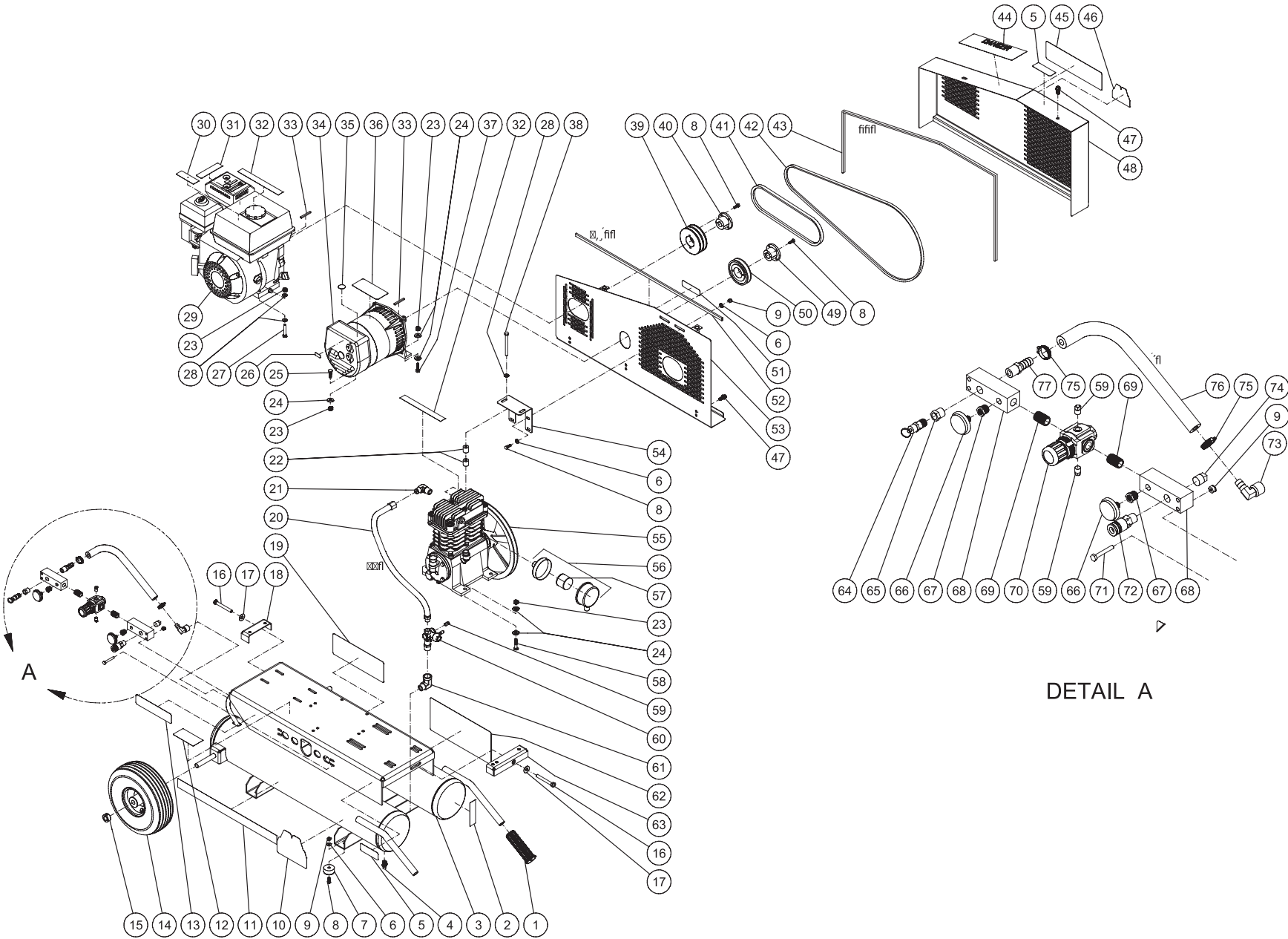
Table of Contents

SPECIFICATIONS.....3
TANK ASSEMBLY FOR AG1-PH65, PR07-08M14
PUMP (3-0303).....6
ALTERNATOR (32-0802).....8

SPECIFICATIONS

MODEL NUMBER	AG1-PH65-08M1	AG1-PR07-08M1
Engine:	Honda	Subaru
Horsepower	6.5	7.0
Oil Type	SAE10W-30	
Oil Capacity	20 oz.	20 oz.
Low Oil Protection	Oil Alert™	Oil Sensor
Fuel Type	Unleaded Gasoline 86 Octane Minimum	
Fuel Capacity	.95 Gallon	.95 Gallon
Maximum No Load RPM	3300	3300
Generator:		
Watts w/ Compressor	600	600
Watts w/o Compressor	1600	1600
Compressor Pump:		
Number of Cylinders	2	
Compression Stages	1	
Bore/Stroke	2.99" x 1.89"	
RPM	1320	
Flywheel	300 mm (11.8")	
Lubrication	Splash	
Oil Capacity	9.5 oz./ 280 ml	
Oil Type	30 W Non Detergent	
Crankcase	Cast Iron	
Bearings	Ball	
Cylinder	Cast Iron	
Valves	Reed-Single	
Head	Cast Iron	
Filter	Canister	
Pilot Valve Setting:		
Cut-out	125 PSI	
Cut-in	95 PSI	
Air Tank:		
Capacity	8 Gallons	
Performance:		
CFM @ 40 PSI	16.8	
CFM @ 100 PSI	13.1	
CFM @ 175 PSI	-	
Maximum Pressure	125 PSI	
Pump-up Time: 0-125 PSI	36 seconds	
Recovery Time: 90-125 PSI	8 seconds	
Working Pressure Range	95-125 PSI	
Weight:		
Net	207 lbs	
Shipping	257 lbs	
Dimensions:		
Basic L x W x H	44.5" x 26" x 27.5"	44.5" x 26" x 27.5"
Shipping L x W x H	48.5" x 30.5" x 35.5"	48.5" x 30.5" x 35.5"

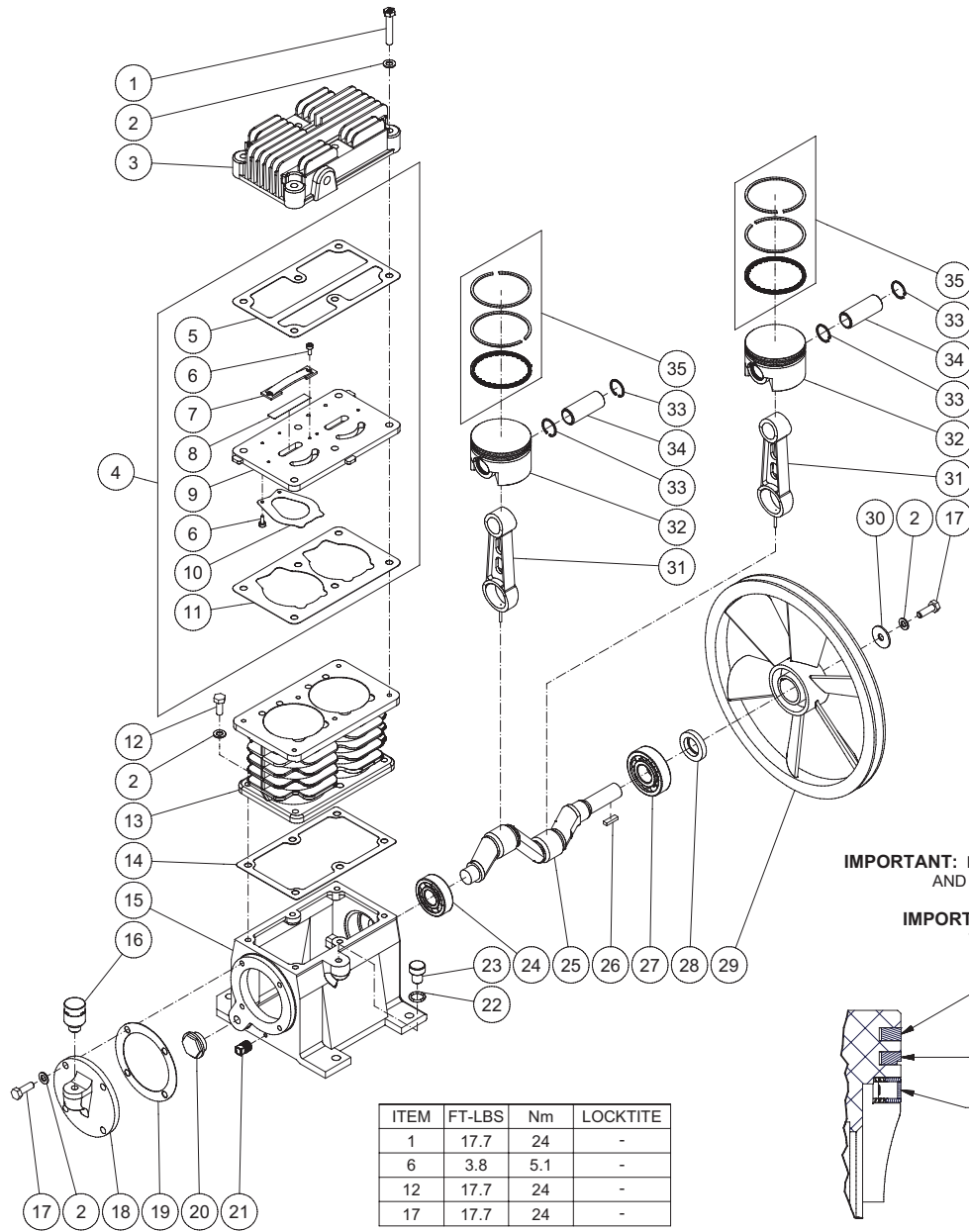
TANK ASSEMBLY FOR AG1-PH65, PR07-08M1



AG1-PH65_PR07-08M1-032213-MLK

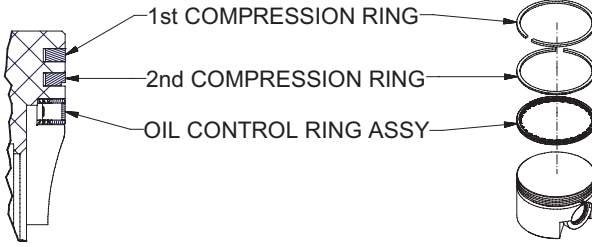
FRAME ASSEMBLY							
ITEM	DESCRIPTION	PART #	QTY	ITEM	DESCRIPTION	PART #	QTY
1	HANDLE GRIP	7-0059	2	40	BUSHING	9-0009	1
2	DECAL - TANK DRAIN (SEE 71-2002)	N/A	2	41	BELT	11-0010	1
3	TANK ASSEMBLY	12-0174	1	42	BELT	11-0064	1
4	PETCOCK	23-0312	2	43	EDGING (FIVE FEET REQUIRED)	33-0020	1
5	DECAL - RISK OF BURNS (SEE 71-2002)	N/A	2	44	DECAL- WARNING (SEE 71-2002)	N/A	1
6	WASHER	28-0002	6	45	DECAL - OPERATIONS (SEE 71-2002)	N/A	1
7	ISOLATOR	14-0069	2	46	DECAL - #2M	N/A	1
8	BOLT	27-0015	8	47	BOLT	27-9524	5
9	LOCKNUT	30-0155	8	48	BELTGUARD FRONT	6-0136	1
10	DECAL - MI-T-M	N/A	1	49	BUSHING	9-0033	1
11	DECAL - MI-T-M STRIPE	N/A	1	50	SHEAVE	10-0049	1
12	DECAL- SILVER STICKER	N/A	1	51	DECAL - WARNING (SEE 71-2002)	N/A	1
13	DECAL- SPEC'S	N/A	1	52	EDGING *(THREE FEET REQUIRED)	33-0020	1
14	WHEEL	14-0130	2	53	BELTGUARD BACK	6-0135	1
15	COLLAR	33-0351	2	54	BELTGUARD BRACKET	20-1028	1
16	BOLT	27-0576	2	55	PUMP	3-0303	1
17	WASHER	28-0023	2	56	AIR FILTER ASSEMBLY	19-0253	1
18	TIGHTENER BRACKET	20-0614	1	57	FILTER	19-0252	1
19	DECAL - MAINTENANCE (SEE 71-2002)	N/A	1	58	BOLT	27-0069	4
20	HOSE	15-0246	1	59	PLUG	24-0082	3
21	90° ELBOW FITTING	24-0074	1	60	PILOT VALVE	22-0470	1
22	SPACER	33-0358	4	61	ELBOW	24-0006	1
23	LOCKNUT	30-0157	11	62	DECAL - OPERATIONS (SEE 71-2002)	N/A	1
24	WASHER	28-0022	13	63	TIGHTNER BRACKET	20-0812	1
25	BOLT	27-0067	1	64	SAFETY VALVE	22-0228	1
26	DECAL - 115 VOLT (SEE 71-2002)	N/A	2	65	REDUCER	23-0017	1
27	BOLT	27-0070	4	66	PRESSURE GAUGE	22-0257	2
28	WASHER	28-0003	10	67	REDUCER	23-0111	2
29	ENGINE (HONDA)	1-0088	1	68	MANIFOLD BLOCK	51-0033	2
-	ENGINE (SUBARU)	1-0133	1	69	NIPPLE	24-0175	2
30	DECAL - RISK OF FIRE (SEE 71-2002)	N/A	1	70	REGULATOR	22-0231	1
31	DECAL - RISK OF BURNS (SEE 71-2002)	N/A	1	71	BOLT	27-0019	4
32	DECAL - CHECK OIL	N/A	2	72	QC SOCKET	17-0068	1
33	KEY	43-0073	2	73	HOSE BARB	23-0418	1
34	GENERATOR	32-0802	1	74	PLUG	24-0034	1
35	DECAL- GROUND PICTORIAL (SEE 71-2002)	N/A	1	75	HOSE CLAMP	42-0011	2
36	DECAL - RISK OF SHOCK (SEE 71-2002)	N/A	1	76	HOSE *(TWO FEET REQUIRED)	15-0007	1
37	BOLT	27-0068	2	77	HOSE BARB	23-0105	1
38	BOLT	27-8043	2	-	DECAL SET/AG1/AG2	71-2002	1
39	SHEAVE	10-0067	1	*MUST ORDER IN ONE FOOT LENGTHS			

PUMP (3-0303)



IMPORTANT: RINGS MUST BE ASSEMBLED IN THE POSITION SHOWN AND IN THE FOLLOWING NUMERICAL SEQUENCE

IMPORTANT: ONCE THE RINGS ARE IN PLACE ROTATE THEM SO THE GAPS ARE NOT ALIGNED



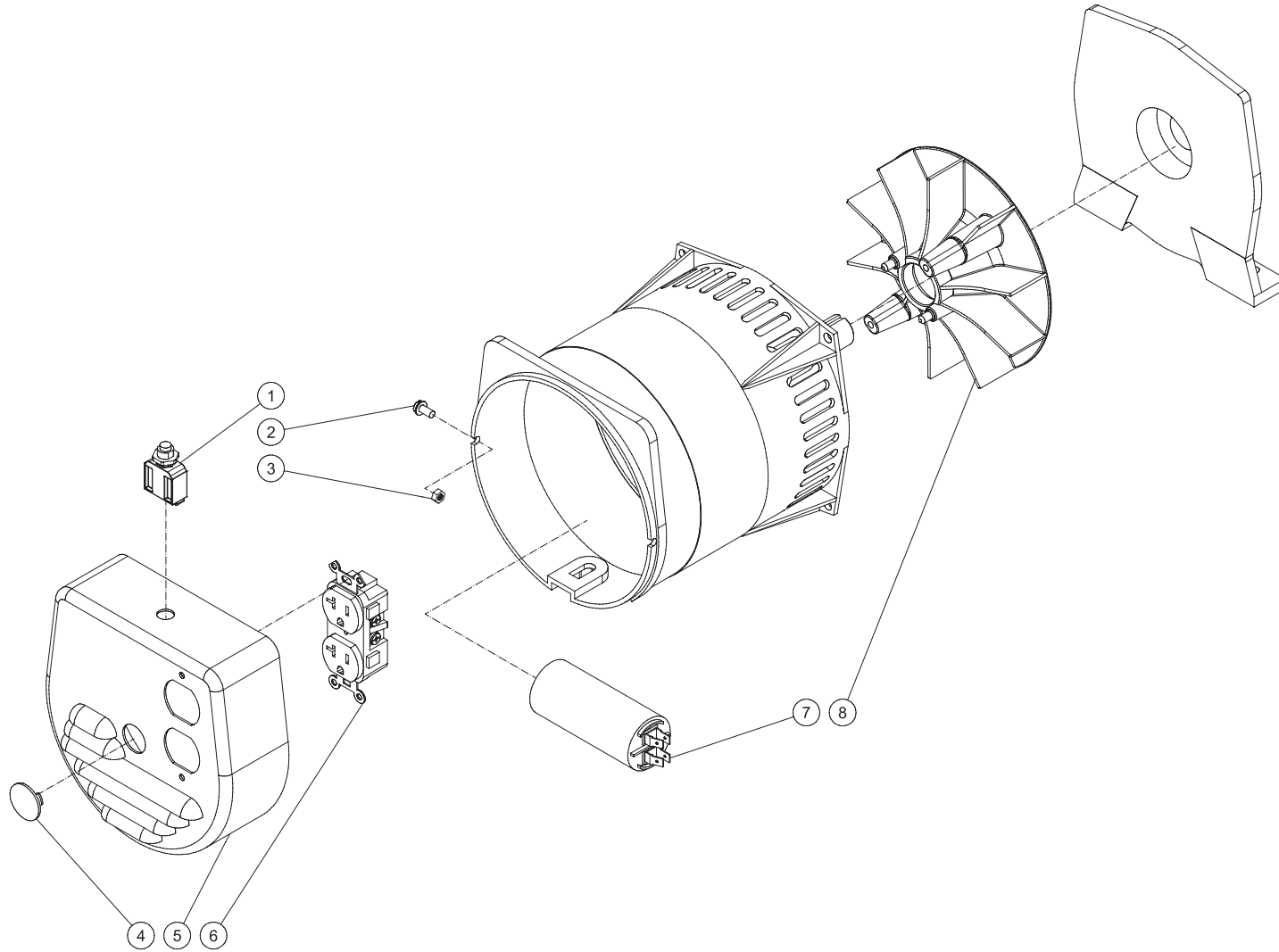
ITEM	FT-LBS	Nm	LOCKTITE
1	17.7	24	-
6	3.8	5.1	-
12	17.7	24	-
17	17.7	24	-

3-0303 062912

PUMP (3-0303)

REF #	DESCRIPTION	PART #	QTY	REF #	DESCRIPTION	PART #	QTY
1	Screw	27-8037	6	19	Crankcase Cover Gasket	N/A	1
2	Copper Washer	28-1060	17	20	Oil Level Sight Glass	46-1336	1
3	Cylinder Head	46-1384	1	21	Plug	24-0009	1
4	Valve Plate Kit (Inc. 5-11)	70-0517	1	22	O-Ring	25-0386	1
5	Cylinder Head Gasket	N/A	1	23	Oil Plug	46-1337	1
6	Screw	N/A	8	24	Ball Bearing	48-0086	1
7	Valve Seat	N/A	2	25	Crankshaft	46-1338	1
8	Outlet Reed Valve	N/A	2	26	Key	43-0131	1
9	Valve Plate	N/A	1	27	Ball Bearing	48-0087	1
10	Reed Valve-Inlet	N/A	2	28	Oil Seal	26-0383	1
11	Valve Plate-Cylinder Gasket	N/A	1	29	Flywheel	10-0142	1
12	Screw	27-8032	6	30	Block Washer	28-1063	1
13	Cylinder	46-1333	1	31	Connecting Rod	46-1339	2
14	Cylinder Crankcase Gasket	N/A	1	32	Piston	46-1340	2
15	Crankcase	N/A	1	33	Internal C-Clip	46-1341	4
16	Breather Assy	46-1334	1	34	Piston Wrist Pin	46-1342	2
17	Bolt	27-8033	5	35	Piston Ring Kit	70-0518	2
18	Crankcase Cover	46-1335	1	36	Kit-Pump Gaskets (Inc. 5, 11, 14, 19)	70-0519	1

ALTERNATOR (32-0802)



32-0802 030116 JPS

32-0802 030116 JPS			
ALTERNATOR			
ITEM	DESCRIPTION	PART #	QTY
1	CIRCUIT BREAKER	32-1205	1
2	SCREW	27-9593	2
3	NUT	30-6001	2
4	ALTERNATOR CAP	52-0075	1
5	END COVER	52-0125	1
6	RECEPTACLE	80-0181	1
7	CAPACITOR	32-0873	1
8	FAN	52-0093	1

Manufactured by Mi-T-M
50 Mi-T-M Drive, Peosta IA 52068
563-556-7484/ Fax 563-556-1235