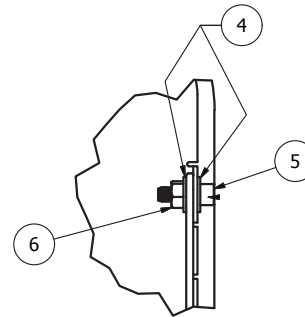
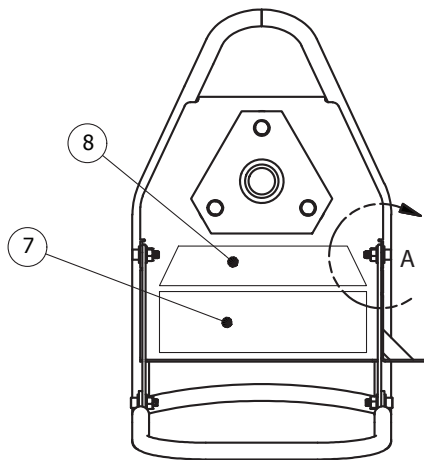
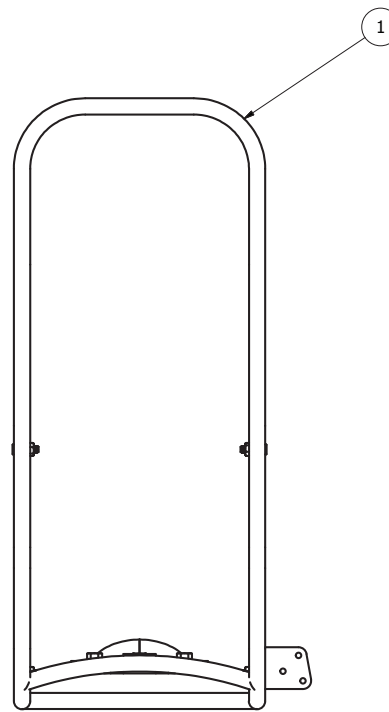
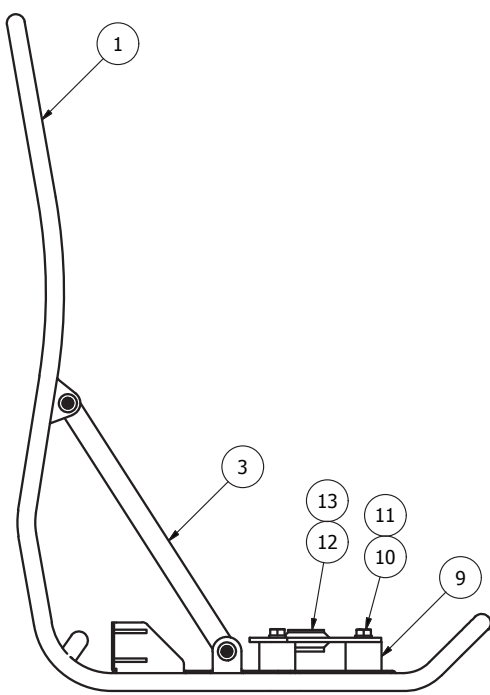


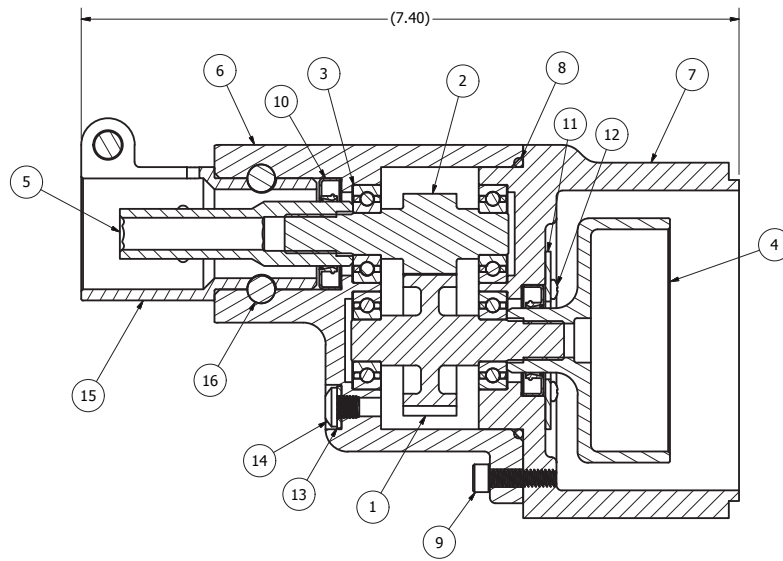
Item	Part Number	Qty	Description
1	W402536	1	Frame, steel, backpack, Honda; assembly
2	W402304	1	Engine, Honda; 50 cc 2.5 hp
3	W402333	1	Backpack, echo throttle control
4	W402306	3	Backpack, motor mount, locknut; #10-24
5	W402531	1	Assembly, bracket, Honda engine, backpack weld
6	W402109	1	Ring, retaining, external
7	W402552	1	Speed increaser assembly, gas back pack, Honda
8	W402313	3	Backpack throttle mount screw, #10-24 x 1/2" long
9	W402154	1	Meter, rpm/hour (with mounting screws)
10	W402315	2	Screw, set, 1/4-20; knurled cup point
11	W402316	1	Assembly, clutch, Honda backpack
12	W402317	1	Key, square; 3/16 x .875" Long
13	W402318	1	Screw, socket head cap, 1/4-28 x 1/2" long
14	W402168	1	Washer, flat, clutch
15	W402319	1	Collar, shaft; Honda backpack
16	W402320	4	Screw, flat socket head cap, M6 x 16 mm long
17	W402324	2	Backpack motor mount screw; #10-32 x 3/8" long
18	W402322	1	Clamp, throttle cable, Honda backpack
19	W402323	1	Backpack, Honda; caution label
20	W402325	1	Backpack, Honda; throttle spring plate
21	W402326	1	Backpack, Honda; throttle spring
22	W402523	1	Backpack, Honda; throttle/governor lever
23	W402327	1	Backpack, Honda; throttle swivel (mounted to item 24)
24	W402524	1	Washer; steel; zinc-plated; throttle
25*	W402181	3	Tie cable, mini, 4" x 0.100"
26*	W402522	6 in.	Silicone coated fiberglass sleeving, 0.085" ID, 100' roll
27*	W402521	1	Connector, bullet, 16-14 AWG, blue 0.156"; 0.178"; 1.00 in OAL, fully insulated, crimp terminal
28*	W402520	8 in.	Heat shrink tubing, 3/8" expanded, 1/4" recovered
29*	W402519	6 in.	Spiral wrap, 3/8" diameter
30 *	W402185	1	Nameplate, Ergopack
31	W402633	4	Screw, socket head cap; 1/4"-28 x 1.00" long; black oxide
32	W402117	4	Washer, lock, steel
33*	W402330	1	Wyco packaging; carton; backpack

* Parts not shown.



DETAIL A
SCALE 1 / 2

Item	Part Number	Qty	Description
1	W402540	1	Frame, weldment; backpack; Honda
2	W402533	1	Backpack frame Deuter
3	W402537	2	Brace; frame; backpack
4	W402527	8	Washer, flat, zinc plated, 1/4"
5	W402528	4	Screw, socket head, Nyloc, 1/4-20
6	W402529	4	Nut, zinc plated, 1/4-20
7	W402150	1	Decal, caution, backpack engine
8	W402184	1	Backpack, Ergopack
9	W402111	3	Isolator, rubber; backpack
10	W402108	6	Screw, HHCS, 5/16-18 x .5 in., grade 9
11	W883126	6	Washer, lock 5/16 in., zinc plated
12	W402538	1	Mounting plate, isolater; backpack
13	W402178	1	Bearing oil, IMPRG; bronze flange



Item	Part Number	Qty	Description
1	W402543	1	Gear, input shaft
2	W402544	1	Gear, output shaft
3	W402545	4	Bearing
4	W402546	1	Drum, clutch
5	W402547	1	Drive, hex
6	W402548	1	Housing
7	W402549	1	Engine mount
8	W402550	1	O-ring, -144, viton
9	W402555	5	SHCS, 10-24 x 0.75 long
10	W402556	2	CRWA1 – radial shaft seal
11	W402551	1	Cover, seal retainer
12	W402557	4	Ring, retaining, internal
13	W402153	1	Washer, nylon; 4-40 x .25
14	W402152	1	Screw, button head cap; 1/4-28 x 0.25
15	W402630	1	Coupling, quick disconnect
16	W402625	2	Shoulder screw; socket head self-locking; 1/4"-20