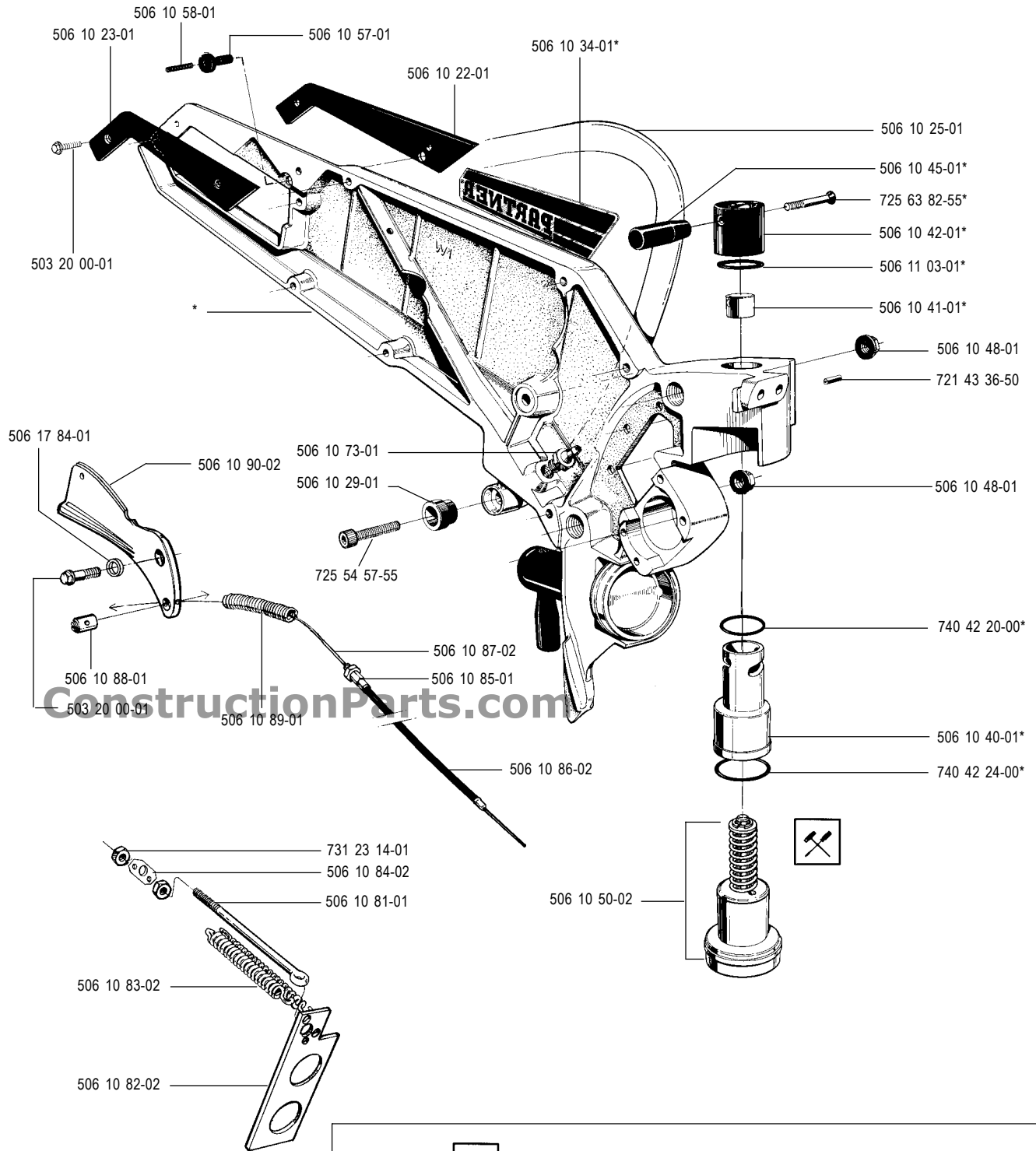


Main body *compl. 506 11 22-01



NEW parts should be used on all K3500.

18 pcs/st
506 10 55-01



OLD VERSION
Before serial No. 105 074



506 21 22-01

506 21 39-01

NEW VERSION
From serial No. 105 074

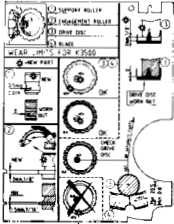
C

40 L

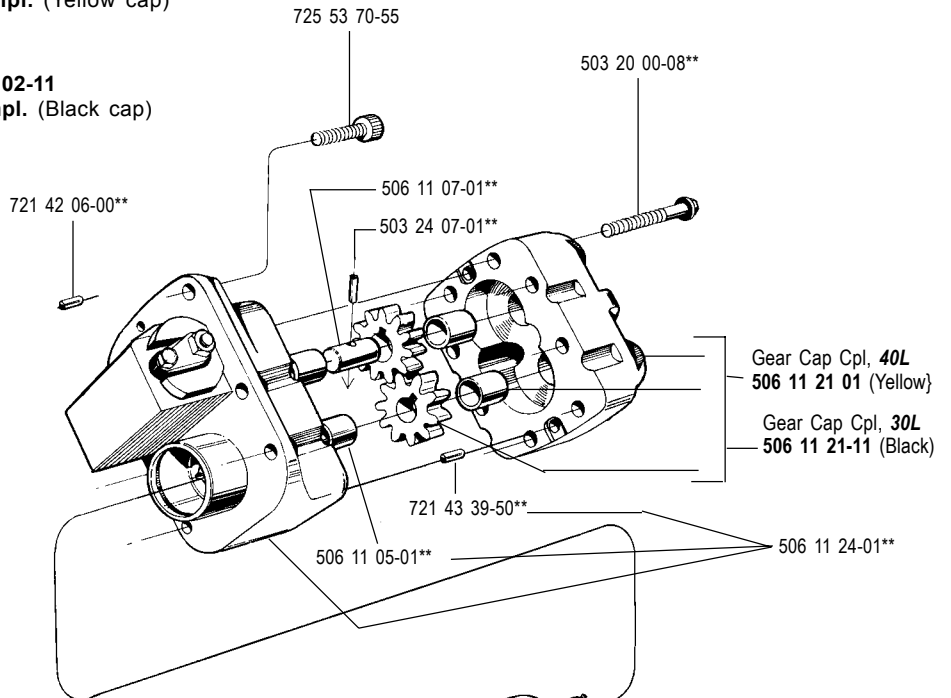
** = 506 10 02-01
Motor compl. (Yellow cap)

30 L

** = 506 10 02-11
Motor compl. (Black cap)

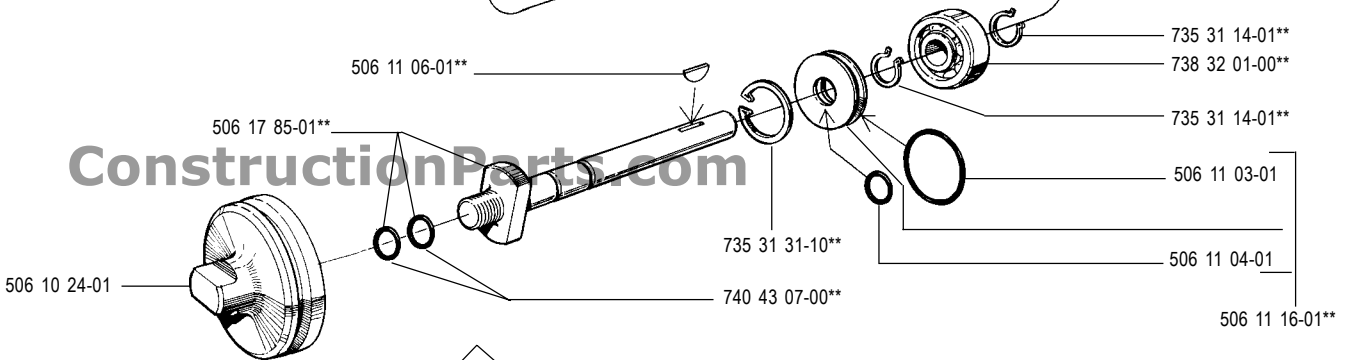


107 72 85-01 English
107 72 85-02 Deutsch
107 72 85-03 French



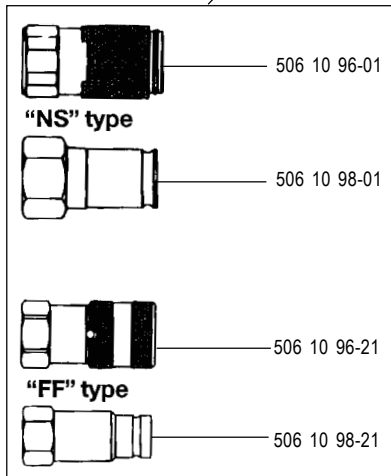
Gear Cap Cpl, 40L
506 11 21-01 (Yellow)
Gear Cap Cpl, 30L
506 11 21-11 (Black)

ConstructionParts.com



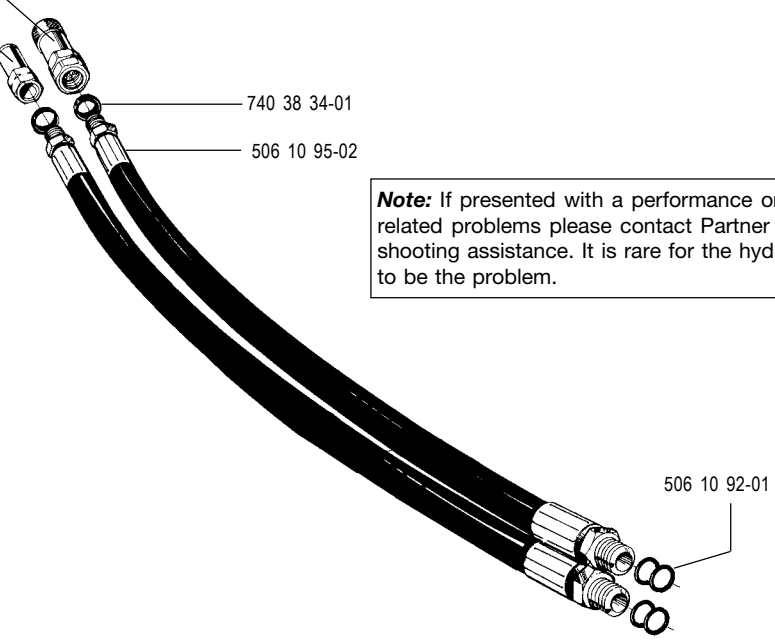
506 10 24-01

506 11 16-01**

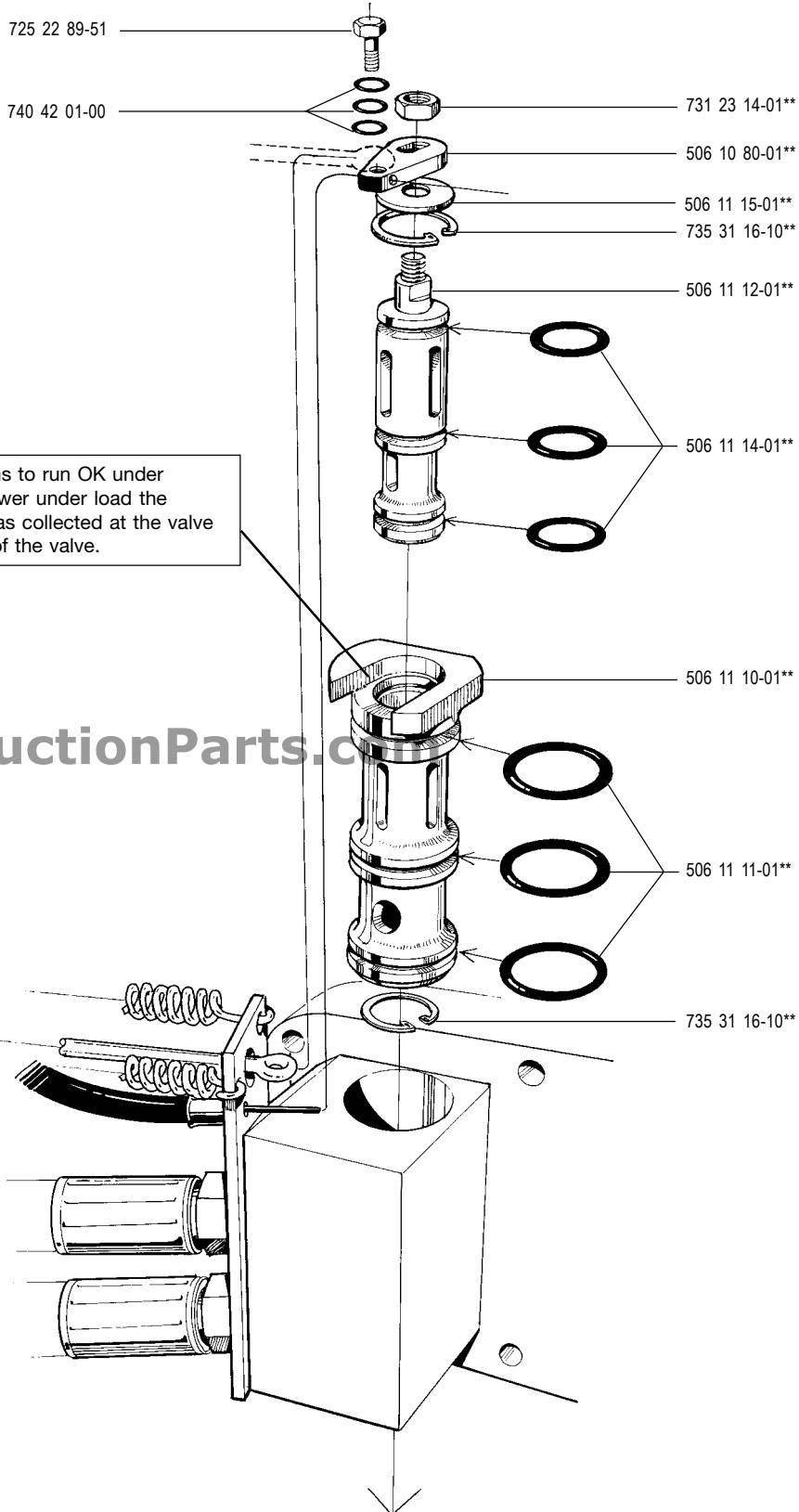


"NS" type

"FF" type

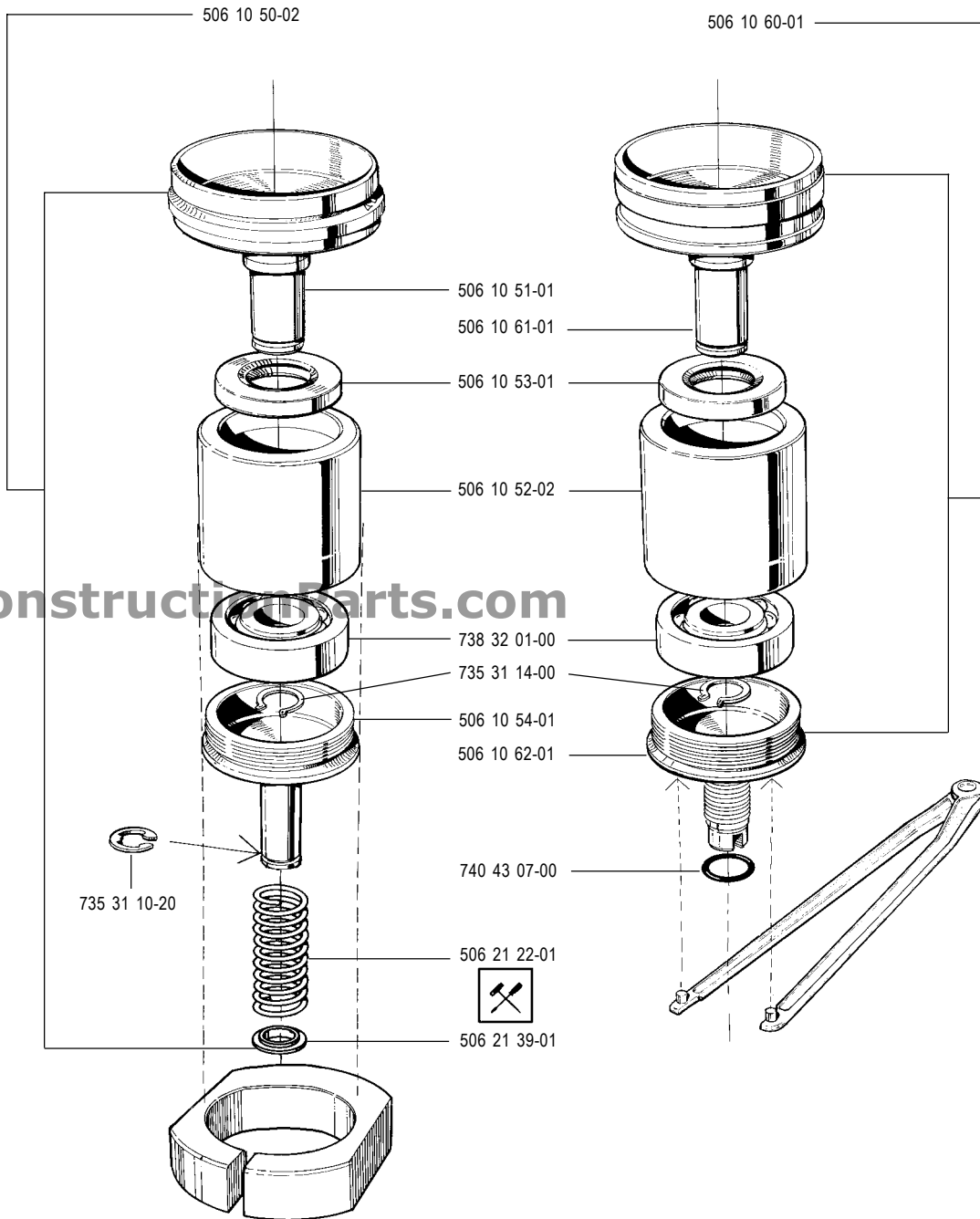


Note: If presented with a performance or hydraulic related problems please contact Partner for troubleshooting assistance. It is rare for the hydraulic motor to be the problem.

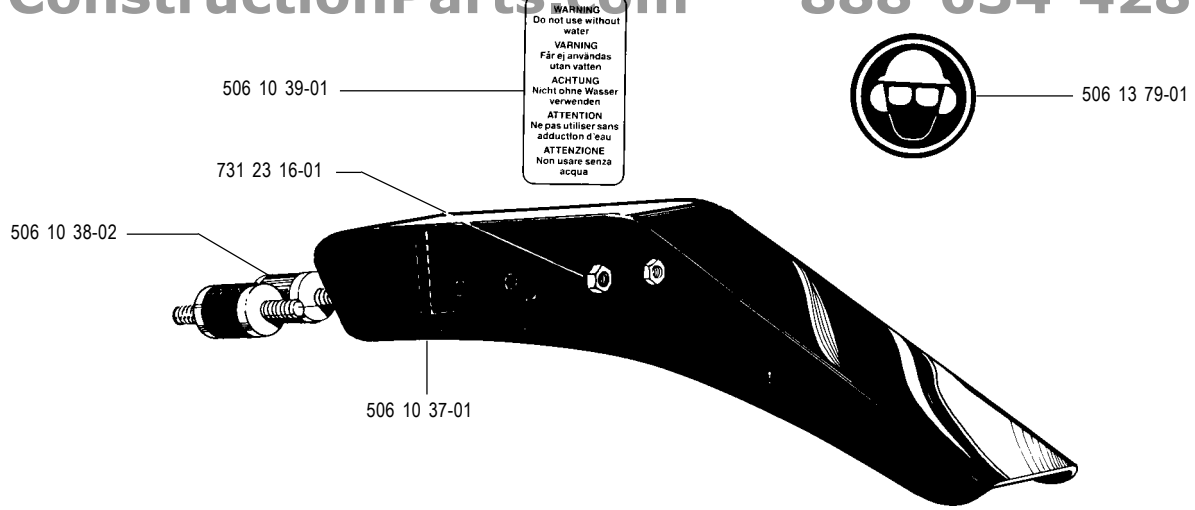


Note: If the RingSaw seems to run OK under **No Load** but is lacking power under load the problem can be dirt that has collected at the valve preventing full movement of the valve.

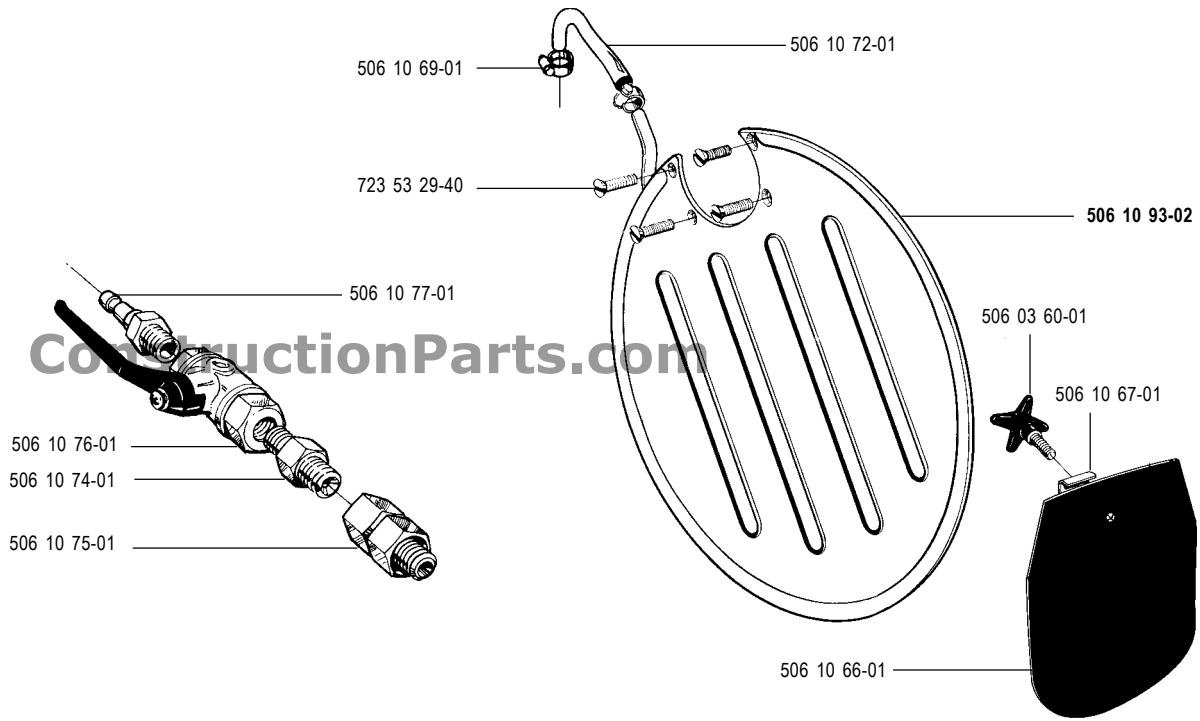
ConstructionParts.com



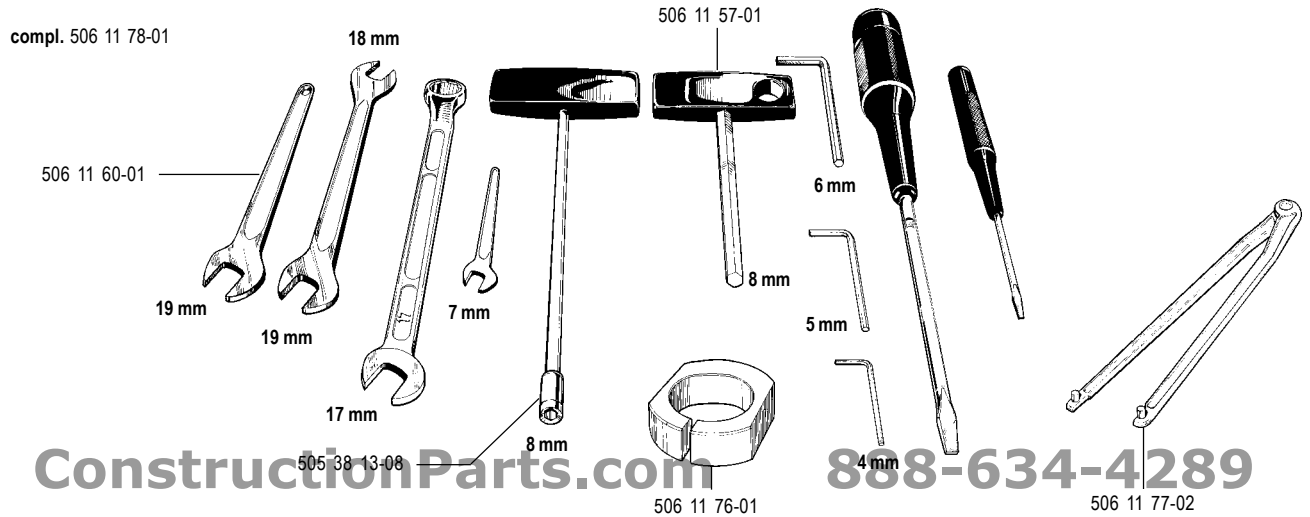
F



G



H



No.	Pos.	Denomination	No.	Pos.	Denomination	No.	Pos.	Denomination
107 72 85-01	C	Wear limit guide	506 10 72-01	G	Water tube	506 13 79-01	F	Decal
107 72 85-02	C	Wear limit guide	506 10 73-01	B	Hose fitting	506 17 84-01	B	Bushing
107 72 85-03	C	Wear limit guide	506 10 74-01	G	Fitting	506 17 85-01	C	Shaft
503 20 00-01	B	Screw M5x20	506 10 75-01	G	Fitting	506 21 22-01	B,E	Coil spring
503 20 00-08	A,C	Screw M5x30	506 10 76-01	G	Water valve	506 21 39-01	B,E	Washer
503 24 07-01	C	Pin B27	506 10 77-01	G	Water fitting	721 42 06-00	C	Pin
505 38 13-08	H	Wrench 8 mm	506 10 80-01	D	Lever	721 43 36-50	B	Roll pin
506 03 60-01	G	Knob	506 10 81-01	B	Bolt	721 43 39-50	C	Pin 6x20
506 10 02-01	C	Motor compl., 40L (10 gal.)	506 10 82-02	B	Plate	723 53 29-40	G	Flat head screw
506 10 02-11	C	Motor compl., 30L (8 gal.)	506 10 83-02	B	Spring	725 22 89-51	D	Bolt
506 10 21-01	A	Right body cover	506 10 84-02	B	Clip	725 53 70-55	C	Bolt
506 10 22-01	B	L. handle cover	506 10 85-01	B	Cable cover fastener	725 54 57-55	B	Bolt
506 10 23-01	B	R. handle cover	506 10 86-02	B	Cable sleeve	725 63 82-55	B	Screw 6x60
506 10 24-01	C	Drive disk	506 10 87-02	B	Trigger cable	731 23 14-01	B,D	Nut
506 10 25-01	B	Front handle	506 10 88-01	B	Cable retainer	731 23 16-01	E	Nut
506 10 29-01	B	Bushing	506 10 89-01	B	Trigger spring	735 31 10-20	E	Snap ring
506 10 31-01	A	Threaded bushing	506 10 90-02	B	Trigger	735 31 14-00	C,E	Snap ring B84
506 10 32-01	A	Support roller casing	506 10 92-01	C	O-ring	735 31 16-10	D	Snap ring
506 10 33-01	A	Bolt	506 10 93-02	G	Water disk	735 31 31-10	C	Snap ring
506 10 34-01	B	Partner decal for K3500	506 10 95-02	C	Hose	738 32 01-00	C,E	Ball bearing
506 10 35-01	A	Decal "K3500"	506 10 96-01	C	Coupler 3/8" (female) NS, BSP	740 38 34-01		Washer 3/8"
506 10 37-01	F	Blade guard	506 10 96-21	C	Coupler 3/8" (female) FF, BSP	740 42 01-00	D	O-ring
506 10 38-02	F	Guard hinge	506 10 98-01	C	Coupler 3/8" (male) NS, BSP	740 42 20-00	B	O-ring
506 10 39-01	F	Decal	506 10 98-21	C	Coupler 3/8" (male) FF, BSP	740 42 24-00	A,B	O-ring
506 10 40-01	B	Roller casing	506 11 03-01	B,C	O-ring	740 43 07-00	C,E	O-ring
506 10 41-01	B	Spacer	506 11 04-01	C	O-ring			
506 10 42-01	B	Cover	506 11 05-01	C	Bushing			
506 10 45-01	B	Roller handle	506 11 06-01	C	Shaft key			
506 10 46-01	A	O-ring	506 11 07-01	C	Motor shaft			
506 10 47-01	A	Adjustment bushing	506 11 10-01	D	Outer spool			
506 10 48-01	A,B	Nut	506 11 11-01	D	O-ring			
506 10 50-02	B,E	Engagem. roller assy	506 11 12-01	D	Inner spool			
506 10 51-01	E	Engagement roller	506 11 14-01	D	O-ring			
506 10 52-02	E	Roller housing	506 11 15-01	D	Washer			
506 10 53-01	E	Seal	506 11 16-01	C	Shaft seal			
506 10 54-01	E	Cassette cap	506 11 21-01	C	Motor top compl., 40L (10 gal.)			
506 10 55-01	B	Spring washers	506 11 21-11	C	Motor top compl., 30L (8 gal.)			
506 10 57-01	B	Trigger lock	506 11 22-01	B	Handle body			
506 10 58-01	B	Spring	506 11 23-01	A	Roller cover ass.			
506 10 60-01	A,E	Support roller assy	506 11 24-01	C	Motor & valve housing			
506 10 61-01	E	Support roller	506 11 57-01	H	Allen wrench 8 mm			
506 10 62-01	E	Cassette cap	506 11 60-01	H	Wrench 19 mm			
506 10 66-01	G	Rubber guard	506 11 76-01	H	Roller clamp			
506 10 67-01	G	Bracket	506 11 77-02	H	Spanner wrench			
506 10 69-01	G	Hose clamp	506 11 78-01	H	Tool kit compl.			