

PARTS MANUAL



BRT RIDE-ON POWER TROWEL

MODEL # _____

SERIAL # _____

BRT RIDE-ON POWER TROWEL — SUGGESTED SPARE PARTS

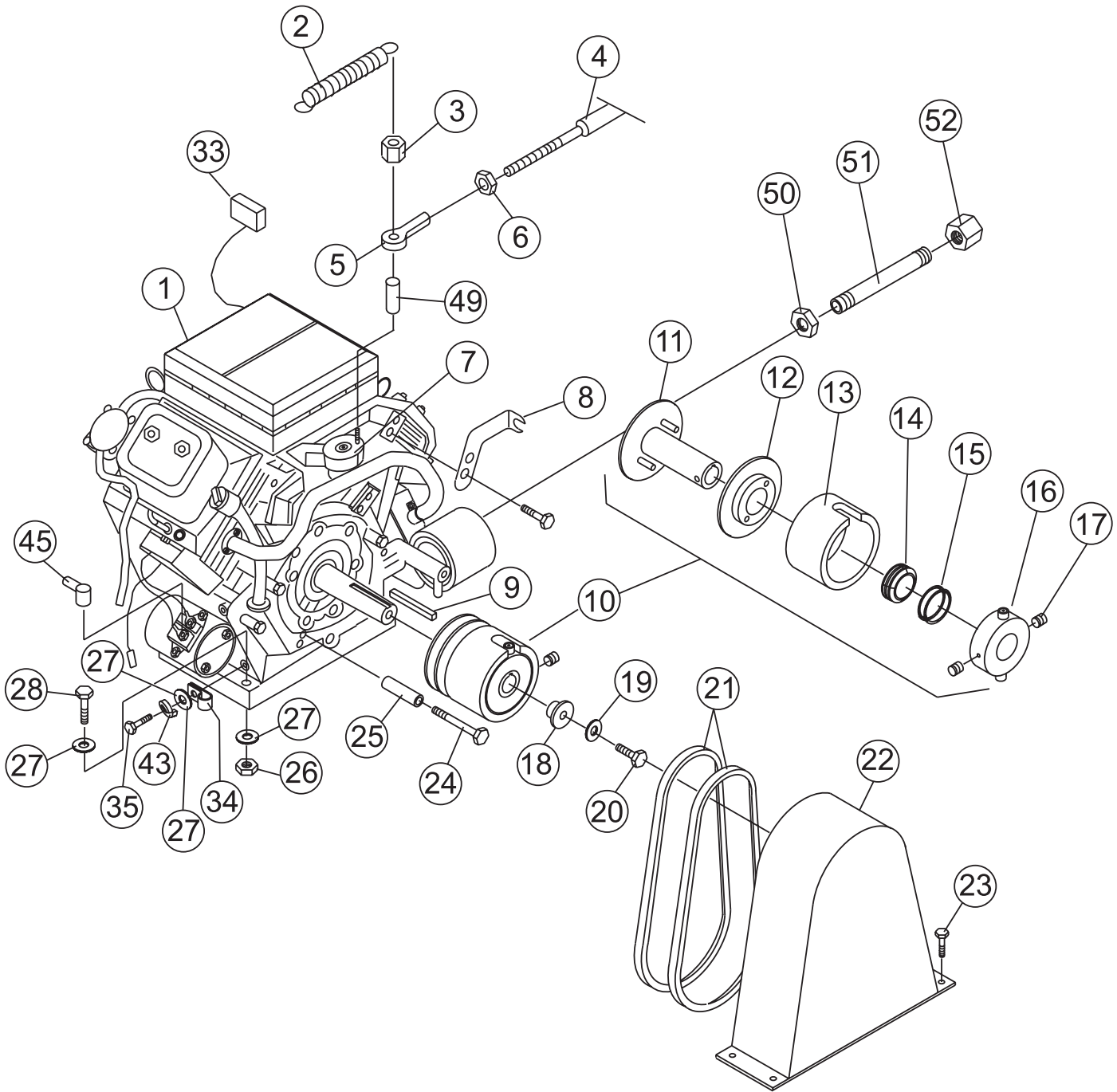
BRT RIDE-ON POWER TROWEL (ONAN)

1 to 3 Units

Qty.	P/N	Description
4	189	HANDLE GRIP
4	2267	HANDLE GRIP (RIGHT-SIDE)
2	2584	SWITCH
2	2008	CABLE PITCH
1	1617	LEVER ASSY. TROWEL ADJUSTMENT
2	2737	KNOB
1	2124	THROTTLE CABLE
4	2633	GASKET KIT (UP TO S/N KC-44134)
4	11426	GASKET KIT (FROM S/N KC-441354)
4	10501	BEARING KIT (UP TO S/N KC-44134)
4	11318	BEARING KIT (FROM S/N KC-44135)
2	10922	LEFT-SIDE FAN
2	10921	RIGHT-SIDE FAN
2	2249	RIGHT-SIDE WORM GEAR (BRONZE)
2	2250	LEFT-SIDE WORM GEAR (BRONZE)
2	2231	MAIN SHAFT (1-1/8")
2	1141	KEY 5/16 X 5/16 X 2-5/8
2	2229	KEY 5/16 X 5/16 X 1-7/16
2	10968	THRUST COLLAR KIT
2	10876	RIGHT-SIDE WORM GEAR (UP TO S/N KC -44134)
2	11231	RIGHT-SIDE WORM GEAR (FROM S/N KC -44135)
2	10877	LEFT-SIDE WORM GEAR (UP TO S/N KC -44134)
2	11231	LEFT-SIDE WORM GEAR (FROM S/N KC -44135)
4	2827	ARMS (16-1/2")
2	1555	RIGHT-SIDE TROWEL ARM LEVER
2	1163	LEFT-SIDE TROWEL ARM LEVER
20	0166 A	WASHER, LOCK 3/8" MED
20	1876	JAM NUT
20	0164 B	SCREW
10	1157 A	BUSHING
2	1316	LEFT-SIDE SPRING
2	1317	RIGHT-SIDE SPRING
20	1875	WASHER, INT. SHKP, 3/8"
20	1322	SCREW ASSEMBLY, RETAINING
2	12452	SPIDER UNIVERSAL
20	1162 A	GREASE CAP
20	1456	HEX NUT 3/8-16"
2	2712	FUEL CAP
5	11078	KEYS, IGNITION
2	10958	IGNITION SWITCH ASSY.
2	2655	HOUR METER

BRT RIDE-ON POWER TROWEL—VANGUARD ENGINE & CLUTCH ASSY.

VANGUARD ENGINE AND CLUTCH ASSY.



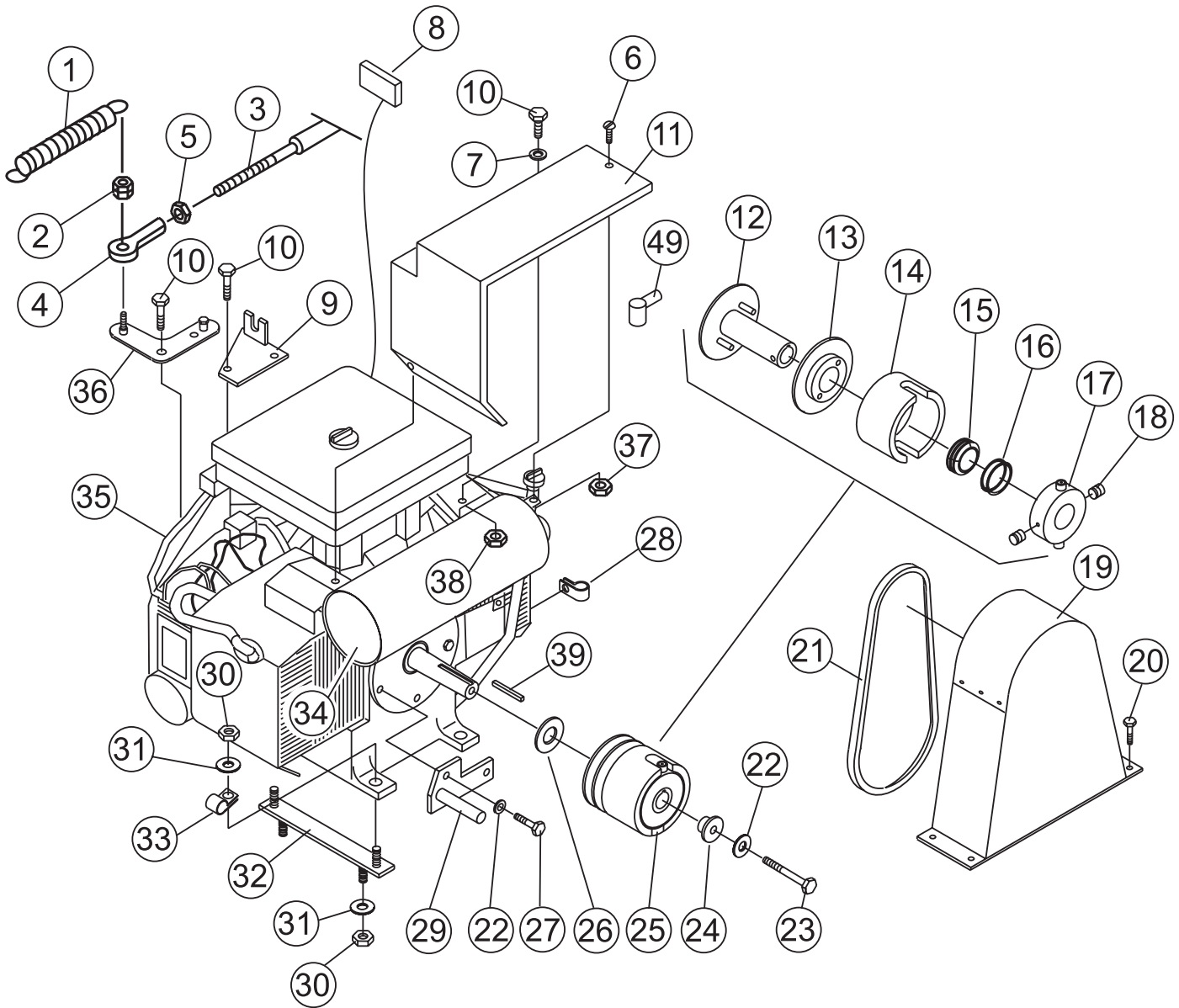
BRT RIDE-ON POWER TROWEL—VANGUARD ENGINE & CLUTCH ASSY.

VANGUARD ENGINE AND CLUTCH ASSY.

<u>NO.</u>	<u>PART NO.</u>	<u>PART NAME</u>	<u>QTY.</u>	<u>REMARKS</u>
1	2883	ENGINE, VANGUARD 18 HP	1	SPECIFICATION NO. 350447-0086-01
2	2192	THROTTLE SPRING	1	
3	2194	THROTTLE NUT	1	
4	2124	THROTTLE CABLE	1	
5	2153	SPHERICAL BEARING	1	
6	0937	HEX NUT 10- 32	1	
7	2650	GOVERNOR ASM.	1	
8	2162	THROTTLE CABLE MTK. BRKT.	1	
9	0310	CLUTCH KEY 1/4 X 1/4 X 1.1/2"	1	
10	2516	4" CLUTCH ASM. 1" BORE	1	
11	1882	CLUTCH SPINDLE	1	
12	1886	CLUTCH PULLEY	1	
13	2504	CLUTCH BOWL	1	
14	2451	CLUTCH WEIGHT	4	
15	2450	WEIGHT SPRING	2	
16	2506	CLUTCH PLATE (WITH ROLLERS)	1	
17	1893	SHSS 3/8- 24 X 5/8"	2	
18	9123	CLUTCH RETAINER	1	
19	0166A	LOCK WASHER 3/8"	1	
20	0478	HHCS 3/8- 24 X 2.1/4"	1	
21	2155	DRIVE BELT A-37 (100 RPM)	2	USED WITH PULLEY P/N 10500 (7-9/16)
21	1619	DRIVE BELT A-39 (120 RPM)	2	USED WITH PULLEY P/N 2019 (6-1/2)
21	11064	DRIVE BELT A-36 (138 RPM)	2	USED WITH PULLEY P/N 11047 (5-5/8)
22	2134	BELT GUARD	1	
23	1273	HHSTS 8- 32 X 3/8"	4	
24	0169	HHCS 3/8- 16 X 3"	1	
25	2257	BELT GUIDE	1	
26	5283	LOCK NUT 5/16- 18	4	
27	0300B	FLAT WASHER 5/16"	9	
28	1207	HHCS 5/16- 18 X 1.3/4"	4	
33	2655	HOUR METER	1	
34	8126	HOSE CLAMP	1	
35	2299	HHCS 8MM- 1.25 X 15MM	1	
43	0161C	LOCK WASHER 5/16"	1	
49	2190	SPACER	1	
50	10490	LOCK NUT 3/8 NPT	1	
51	12328	PIPE NIPPLE	1	
52	10491	PIPE CAP	1	

BRT RIDE-ON POWER TROWEL— ONAN ENGINE AND CLUTCH ASSY.

ONAN ENGINE AND CLUTCH ASSY.



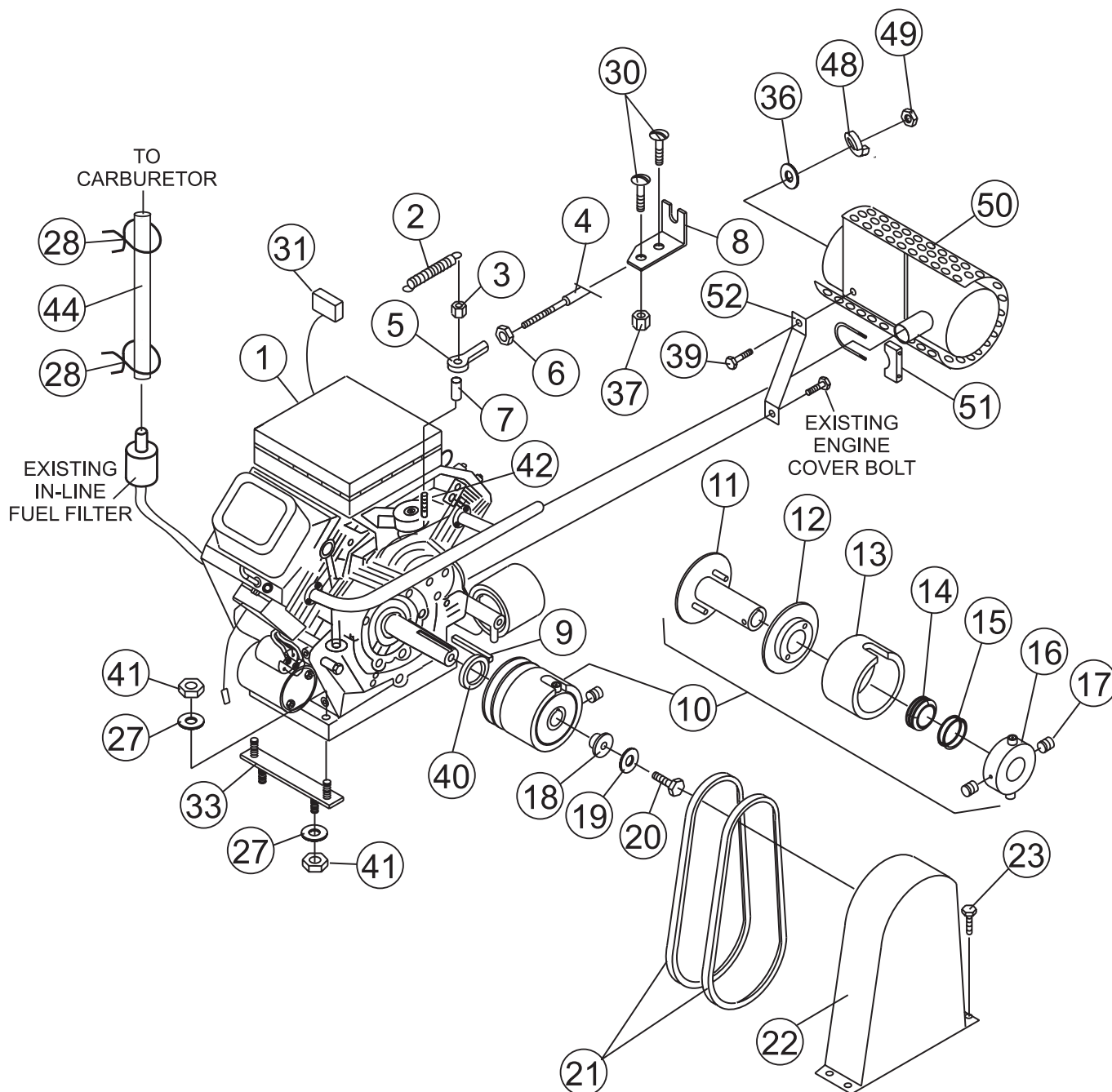
BRT RIDE-ON POWER TROWEL— ONAN ENGINE AND CLUTCH ASSY.

ONAN ENGINE AND CLUTCH ASSY.

<u>NO.</u>	<u>PART NO.</u>	<u>PART NAME</u>	<u>QTY.</u>	<u>REMARKS</u>
1	2192	THROTTLE SPRING	1	
2	2194	THROTTLE NUT	1	
3	2124	THROTTLE CABLE	1	
4	2153	SPHERICAL BEARING	1	
5	0937	HEX NUT 10- 32	1	
6	5065B	RHMS 10- 32 X 1/2"	5	
7	0948	FLAT WASHER 1/4"	5	
8	2655	HOUR METER	1	
9	2628	THROTTLE CABLE MNTG. BRKT.	1	
10	4514	HHCS 1/4- 20 X 5/8"	6	
11	2639	HEAT SHIELD	1	
12	1883	CLUTCH SPINDLE	1	
13	1886	CLUTCH PULLEY	1	
14	2504	CLUTCH BOWL	1	
15	2451	CLUTCH WEIGHT	4	
16	2450	WEIGHT SPRING	2	
17	2506	CLUTCH PLATE (WITH ROLLERS)	1	
18	1893	SHSS 3/8 - 24 X 5/8"	2	
19	2134	BELT GUARD	1	
20	1273	HHSTS 8- 32 X 3/8"	4	
21	2155	DRIVE BELT A-37 (100 RPM)	2	USED WITH PULLEY P/N 10500 (7-9/16")
21	2152	DRIVE BELT A-40 (120 RPM)	2	USED WITH PULLEY P/N 2019 (6-1/2")
21	11064	DRIVE BELT A-36 (138 RPM)	2	USED WITH PULLEY P/N 11047 (5-5/8")
22	0166A	LOCK WASHER 3/8"	3	
23	8135	HHCS 3/8- 24 X 3	1	
24	2376	CLUTCH RETAINER	1	
25	2517	4" CLUTCH ASM. 1.1/8" BORE	1	
26	2629	CLUTCH SPACER	1	
27	1284	HHCS 3/8- 16 X 1.1/2"	2	
28	2548	HOSE CLAMP	1	
29	2631	BELT GUIDE	1	
30	2656	LOCK NUT 5/16- 24	8	
31	0300B	FLAT WASHER 5/16"	8	
32	2637	ENGINE MOUNT PLATE	2	
33	8126	HOSE CLAMP	1	
34	2659	MUFFLER	1	
35	2571	ENGINE ONAN 18HP (P218G)	1	
36	2694	THROTTLE CONTROL ASM.	1	
37	10019	LOCK NUT 10- 32	5	
38	0949	HEX NUT 1/4- 20	3	
39	0310	CLUTCH KEY 1/4 X 1/4 X 1.1/2"	1	

BRT RIDE-ON POWER TROWEL— KOHLER ENGINE AND CLUTCH ASSY.

KOHLER ENGINE AND CLUTCH ASSY.



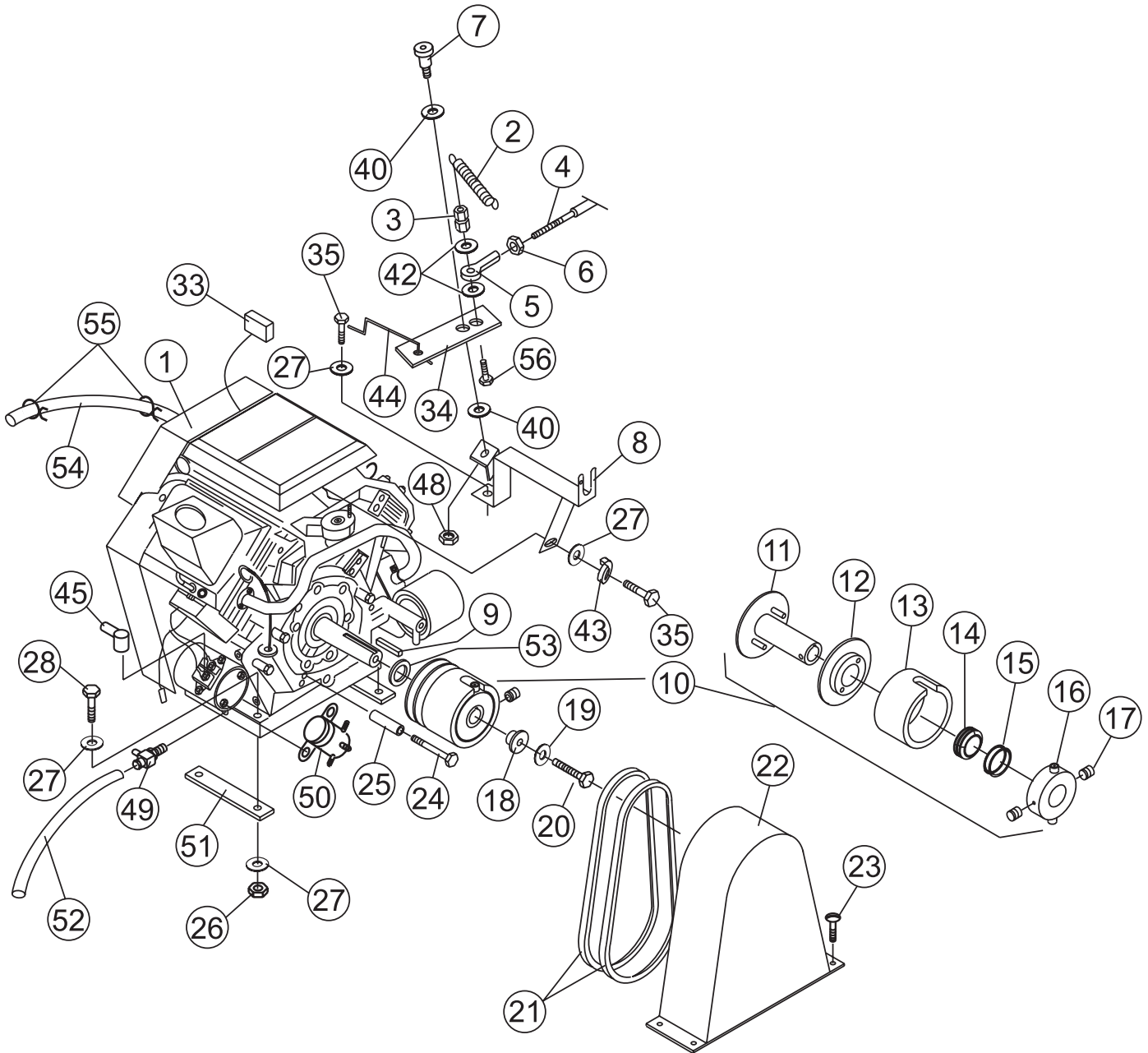
BRT RIDE-ON POWER TROWEL— KOHLER ENGINE AND CLUTCH ASSY.

KOHLER ENGINE AND CLUTCH ASSY.

<u>NO.</u>	<u>PART NO.</u>	<u>PART NAME</u>	<u>QTY.</u>	<u>REMARKS</u>
1	2947	ENGINE, KOHLER 20HP	1	
2	2192	THROTTLE SPRING	1	
3	2194	THROTTLE NUT	1	
4	2124	THROTTLE CABLE	1	
5	2153	SPHERICAL BEARING	1	
6	0937	HEX NUT 10- 32	1	
7	2190	SPACER	1	
8	2884	THROTTLE CABLE MNTG. BRKT.	1	
9	0310	SQUARE KEY 1/4 X 1/4 X 1.1/2"	1	
10	2517	CLUTCH ASM. 1.1/8" BORE	1	
11	1883	CLUTCH SPINDLE	1	
12	1886	CLUTCH PULLEY	1	
13	2504	CLUTCH BOWL	1	
14	2451	CLUTCH WEIGHT	4	
15	2450	WEIGHT SPRING	2	
16	B8226	CLUTCH PLATE (WITH ROLLERS)	1	
17	1893	SHSS 3/8- 24 X 5/8"	2	
18	2951	CLUTCH RETAINER	1	
19	2955	LOCK WASHER 7/16"	1	
20	2956	HHCS 7/16- 20 X 1.1/2"	1	
21	2155	DRIVE BELT A-37 (100 RPM)	2	USED WITH PULLEY P/N 10500 (7-9/16")
21	2152	DRIVE BELT A-40 (120 RPM)	2	USED WITH PULLEY P/N 2019 (6-1/2")
21	11064	DRIVE BELT A-36 (138 RPM)	2	USED WITH PULLEY P/N 11047 (5-5/8")
22	2333	BELT GUARD	1	
23	1273	HHSTS 8-32 X 3/8"	4	
27	0300B	FLAT WASHER 5/16"	8	
28	2138	HOSE CLAMP	2	
30	5065B	RHMS 10-32 X 1/2"	2	
31	2655	HOUR METER	1	
33	2876	ENGINE ADAPTOR PLATE	2	
36	0948	WASHER, FLAT 3/8"	4	
37	10019	LOCK NUT 10-32	2	
39	0131A	HHCS 1/4-20 X 3/4"	1	
40	2629	CLUTCH SPACER	1	
41	5283	LOCK NUT 5/16- 18	8	
42	10018	SHCS 10- 32 X 1"	1	
44	10691	FUEL HOSE	1	
48	0181B	LOCK WASHER 1/4"	1	
49	0949	HEX NUT 1/4- 20	1	
50	10853	MUFFLER	1	
51	10855	MUFFLER CLAMP	1	

BRT RIDE-ON POWER TROWEL— HONDA ENGINE AND CLUTCH ASSY.

HONDA ENGINE AND CLUTCH ASSY.



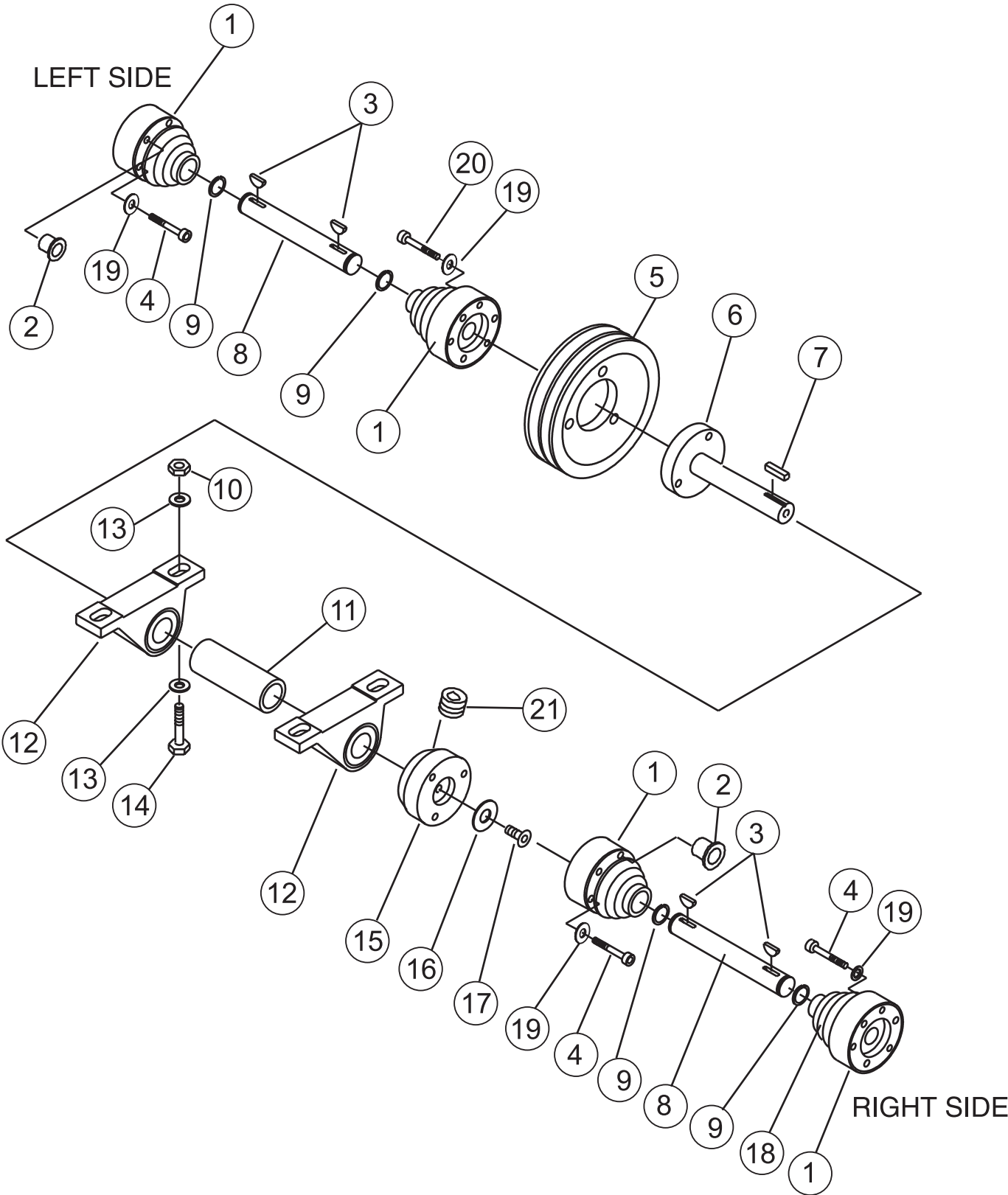
BRT RIDE-ON POWER TROWEL— HONDA ENGINE AND CLUTCH ASSY.

HONDA ENGINE AND CLUTCH ASSY.

<u>NO.</u>	<u>PART NO.</u>	<u>PART NAME</u>	<u>QTY.</u>	<u>REMARKS</u>
1	10931	ENGINE HONDA, GX620QAB 20HP	1	OBSOLETE
2	2192	THROTTLE SPRING	1	
3	2194	THROTTLE NUT	1	
4	10568	THROTTLE CABLE	1	
5	2153	SPHERICAL BEARING	1	
6	0937	HEX NUT 10- 32	1	
7	10990	SHOULDER BOLT	1	
8	10964	TRHOTTLE CABLE MTG. BRKT.	1	
9	0310	SQUARE KEY 1/4 X 1/4 X 1.1/2"	1	
10	2516	4" CLUTCH ASM. 1" BORE	1	
11	1882	CLUTCH SPINDLE	1	
12	1886	CLUTCH PULLEY ASM.	1	
13	2504	CLUTCH BOWL ASM.	1	
14	2939	CLUTCH WEIGHT SET	1	
15	2450	WEIGHT SPRING	2	
16	2506	CLUTCH PLATE (WITHROLLERS)	1	
17	1893	SHSS 3/8- 24 X 5/8"	2	
18	9123	CLUTCH RETAINER	1	
19	0166A	LOCK WASHER 3/8"	1	
20	2667	HHCS 3/8- 24 X 2.1/2"	1	
21	2155	DRIVE BELT A-37 (100 RPM)	2	USED WITH PULLEY P/N 10500 (7-9/16")
21	3546	DRIVE BELT A-38 (120 RPM)	2	USED WITH PULLEY P/N 2019 (6-1/2")
21	11064	DRIVE BELT A-36 (138 RPM)	2	USED WITH PULLEY P/N 11047 (5-5/8")
22	2134	BELT GUARD	1	
23	1273	HHSTS 8- 32 X 3/8"	4	
24	0169	HHCS 3/8- 16 X 3"	1	
25	2257	BELT GUIDE	1	
26	5283	LOCK NUT 5/16- 18	4	
27	0300B	FLAT WASHER 5/16"	10	
28	0669A	HHCS5/16- 18 X 2.1/4"	4	
33	2655	HOUR METER	1	
34	10954	THROTTLE LEVER	1	
35	2299	HHCSM8- 1.25 X 15MM	2	
40	0948	WASHER, FLAT 3/8"	2	
42	2203	FLAT WASHER #10	8	
43	0161C	LOCK WASHER 5/16"	1	
44	10955	THROTTLE WIRE	1	
45	2762	TERMINAL BOOT	1	
48	1618	LOCK NUT 10-24	1	
49	10963	OIL DRAIN VALVE	1	
50	2207	SOLENOID	1	
51	10984	ENGINE SPACER	2	
52	10987	OIL DRAIN HOSE	1	
53	10948	SPACER	1	
54	10962	FUEL HOSE	1	
55	2138	HOSE CLAMP	2	
56	10018	SHCS 10- 32 X 1"	1	

BRT RIDE-ON POWER TROWEL— DRIVE ASSY.

DRIVE ASSY.



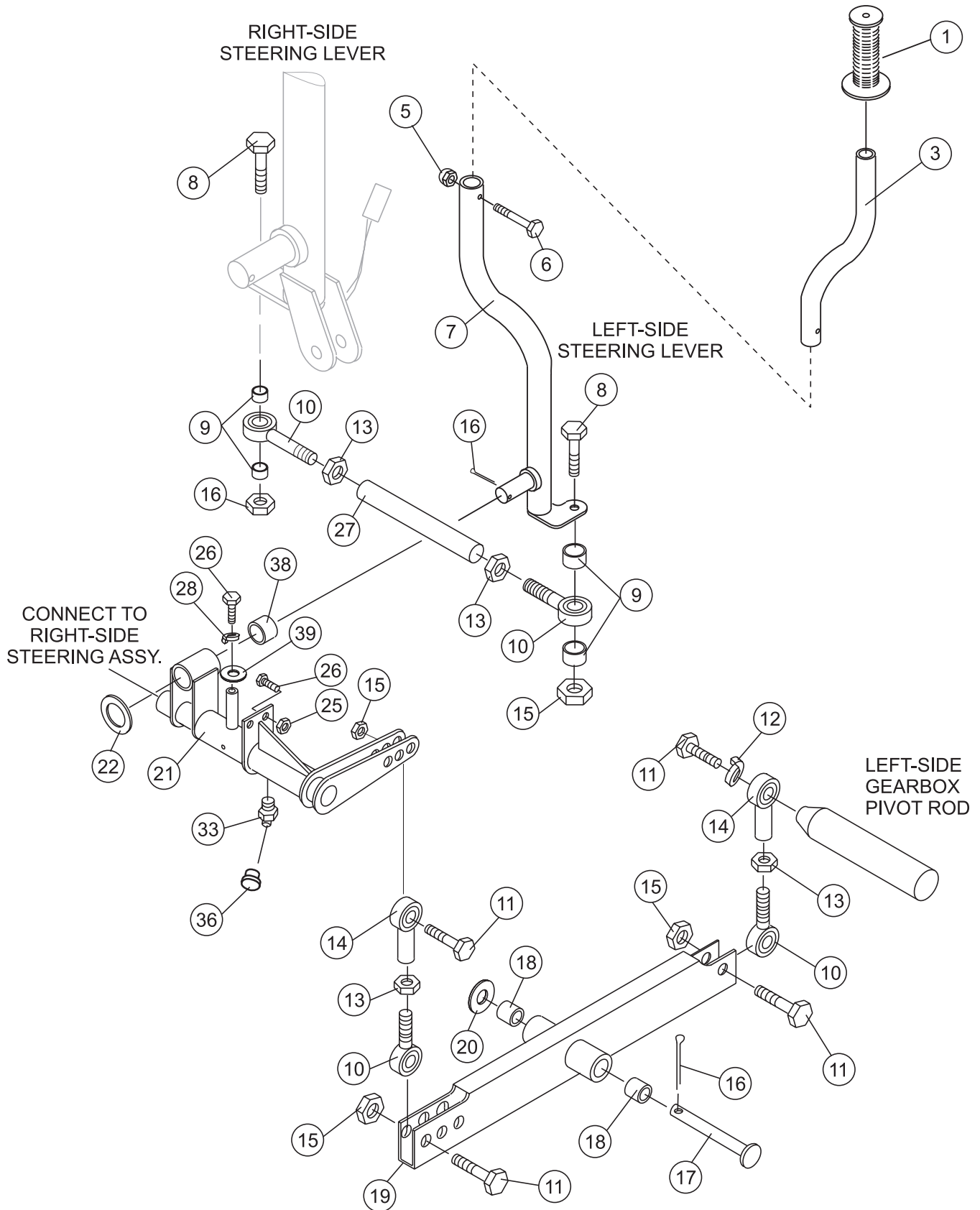
BRT RIDE-ON POWER TROWEL— DRIVE ASSY.

DRIVE ASSY.

<u>NO.</u>	<u>PART NO.</u>	<u>PART NAME</u>	<u>QTY.</u>	<u>REMARKS</u>
1	2052	C.V. JOINT	4	
2	11602	PLUG	12	REPLACES 2218
3	0126	WOODRUFF KEY #9	4	
4	2186	SHCS 5/16- 18 X 2.1/4"	9	
5	2019	PULLEY (6-1/2", 120 RPM)	1	USE DRIVE BELTS 2155 A-37, 2152 A-40, 3546 A-38
5	10500	PULLEY (7-9/16", 100 RPM)	1	USE DRIVE BELT 1619 A-39
5	11047	PULLEY (5-5/8", 138 RPM)	1	USE DRIVE BELT 11064 A-36
6	2129	BEARING SHAFT	1	
7	10909	KEY 3/16 X 3/16 X 13/16"	1	REPLACES P/N 2126
8	2043	DRIVE SHAFT	2	
9	2090	SNAP RING	4	
10	10133	LOCK NUT 3/8"	4	
11	10514	SPACER	1	
12	10337	PILLOW BLOCK BEARING	2	
13	10136	FLAT WASHER 3/8"	8	
14	1284	HHCS 3/8- 16 X 1.1/2"	4	
15	2029	COUPLER 1" I.D.	1	
16	2037	RETAINING WASHER	1	
17	1146	FHSCS 5/16- 18 X 1"	1	
18	2259	C.V. JOINT BOOT (REPLACEMENT ONLY)	1	
19	0161C	FLAT WASHER 5/16"	12	
20	2187	SHCS 5/16- 18 X 2.1/2"	3	
21	10138	SHSS1/4- 20 X 1/2"	1	

BRT RIDE-ON POWER TROWEL— STEERING ASSY. (LEFT-SIDE)

STEERING (LEFT-SIDE) ASSY.



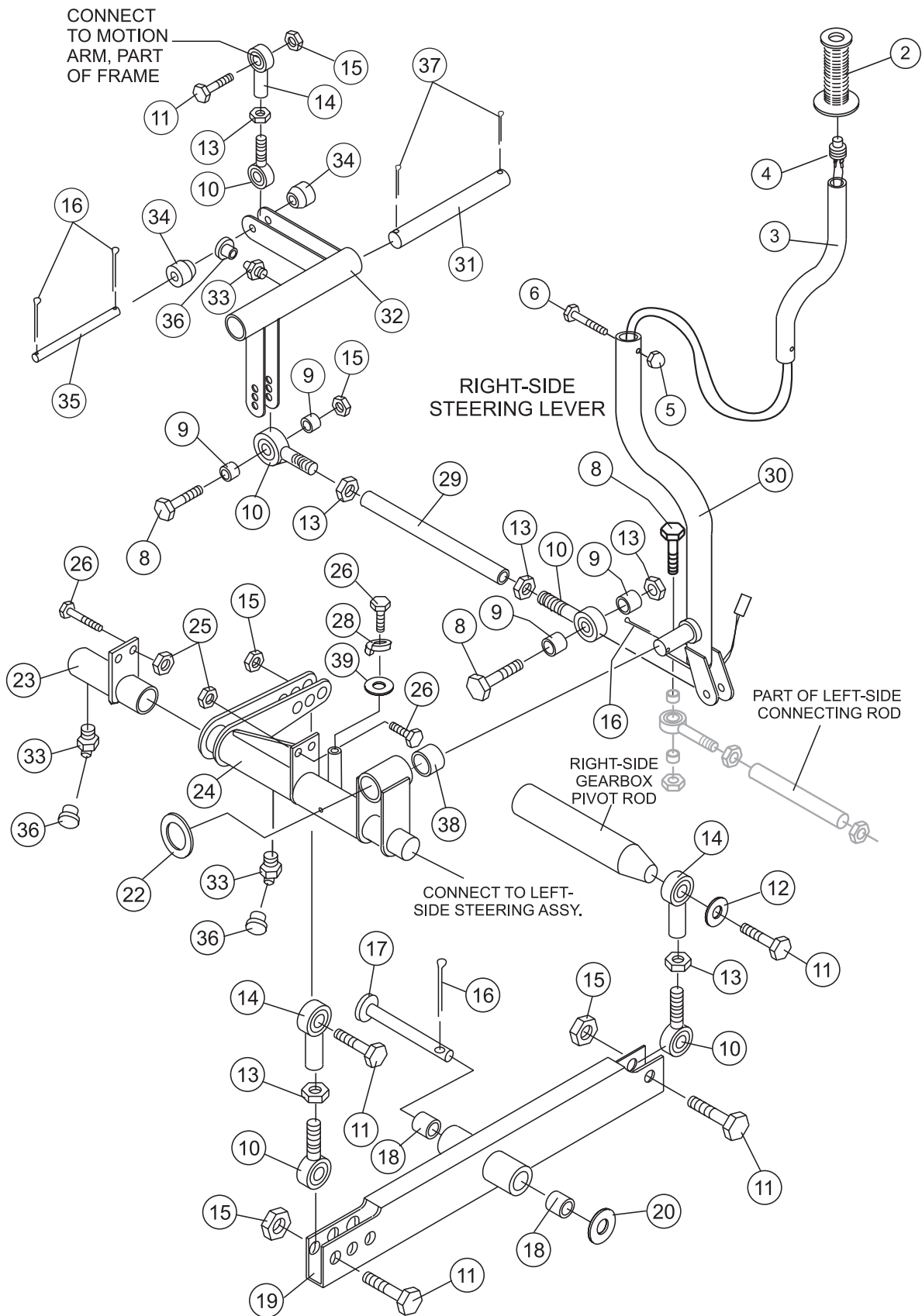
BRT RIDE-ON POWER TROWEL— STEERING ASSY. (LEFT-SIDE)

STEERING (LEFT-SIDE) ASSY.

<u>NO.</u>	<u>PART NO.</u>	<u>PART NAME</u>	<u>QTY.</u>	<u>REMARKS</u>
1	0189	LEFT SIDE HAND GRIP	1	
3	10130	HANDLE EXTENSION	1	
5	2197	ACORN NUT 1/4- 20	1	
6	0424	HHCS 1/4- 20 X 1.1/4"	1	
7	10131	LEFT HANDLE	1	
8	9154	HHCS 3/8- 16 X 1.3/4"	2	
9	2196	SPACER	4	
10	2063	SPHERICAL BEARING	4	RIGHT HAND MALE
11	1023	HHCS 3/8- 16 X 1.1/4"	4	
12	0166A	LOCK WASHER 3/8"	1	
13	2199	JAM NUT 3/8- 24	4	
14	2064	SPHERICAL BEARING	2	RIGHT HAND FEMALE
15	10133	LOCK NUT 3/8- 16	4	
16	0183	COTTER PIN	2	
17	2097	CLEVIS PIN	1	
18	1484	BUSHING	2	
19	11085	STEERING CONTROL LEVER	1	REPLACES 2891
20	10136	FLAT WASHER 3/8"	1	
21	2366	LEFT SIDE STEERING ASSY.	1	
22	8151	FLAT WASHER 3/4"	1	
25	5283	LOCK NUT 5/16- 18	4	
26	0655	HHCS 5/16- 18 X 3/4"	5	
27	2352	CONNECTOR ROD	1	
28	0161C	LOCK WASHER 5/16"	1	
33	5228	GREASE FITTING	1	
36	1162A	LUBRA- CAP	1	
38	12408	BUSHING	1	REPLACES 2168
39	0300B	FLAT WASHER 5/16"	1	

BRT RIDE-ON POWER TROWEL— STEERING ASSY. (RIGHT-SIDE)

STEERING (RIGHT-SIDE) ASSY.



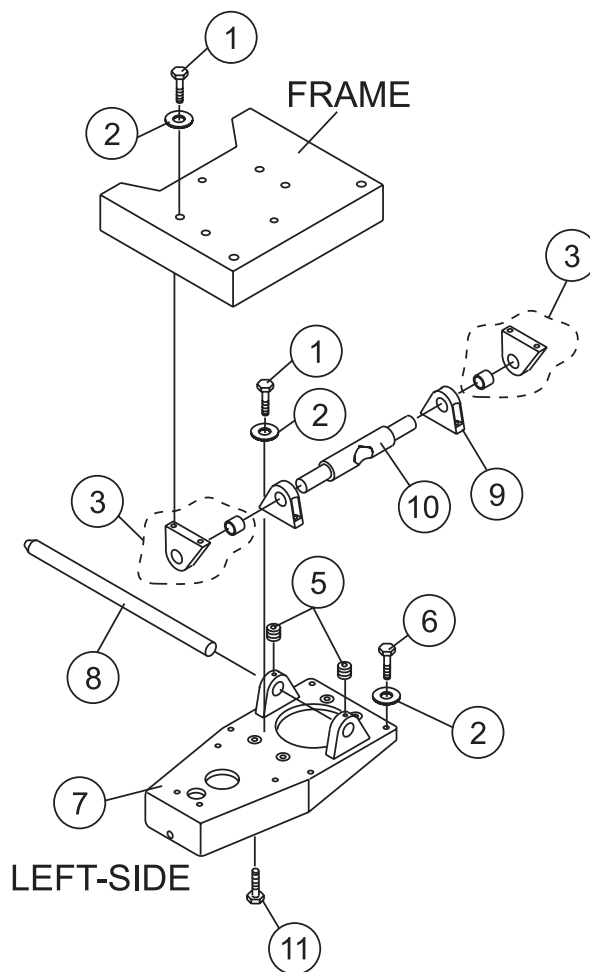
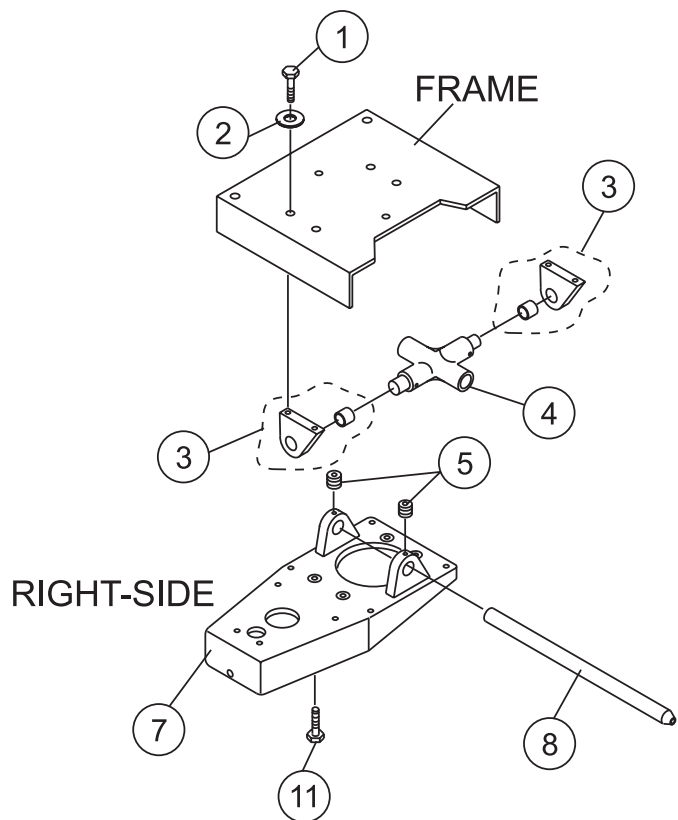
BRT RIDE-ON POWER TROWEL— STEERING ASSY. (RIGHT-SIDE)

STEERING (RIGHT-SIDE) ASSY.

<u>NO.</u>	<u>PART NO.</u>	<u>PART NAME</u>	<u>QTY.</u>	<u>REMARKS</u>
2	2267	RIGHT SIDE HAND GRIP	1	
3	10130	HANDLE EXTENSION	1	
4	2765	RETARDANT SPRAY BUTTON SWITCH	1	
5	2197	ACORN NUT 1/4- 20	1	
6	0424	HHCS 1/4- 20 X 1.1/4"	1	
8	9154	HHCS 3/8- 16 X 1.3/4"	2	
9	2196	SPACER	4	
10	2063	SPHERICAL BEARING	5	RIGHT HAND MALE
11	1023	HHCS 3/8- 16 X 1.1/4"	5	
12	0166A	LOCKWASHER 3/8"	1	
13	2199	JAM NUT 3/8- 24	5	
14	2064	SPHERICAL BEARING	3	RIGHT HAND FEMALE
15	10133	LOCK NUT 3/8- 16	5	
16	0183	COTTER PIN	3	
17	2097	CLEVIS PIN	1	
18	1484	BUSHING	2	
19	11085	STEERING CONTROL LEVER	1	REPLACES 2891
20	10136	FLAT WASHER 3/8"	1	
22	8151	FLAT WASHER 3/4"	1	
23	10603	BOSS & SUPPORT	2	
24	10606	RIGHT SIDE STEERING ASM.	1	
25	5283	LOCK NUT 5/16- 18	4	
26	0655	HHCS 5/16- 18 X 3/4"	5	
28	0161C	LOCKWASHER 5/16"	1	
29	2093	LINKAGE ROD	1	
30	10132	RIGHT HANDLE	1	
31	2080	RIGHT/LEFT MOTION SHAFT	1	
32	2036	RIGHT/LEFT MOTION ARM	1	
33	5228	GREASE FITTING	3	
34	2188	SPACER	2	
35	3550	ADAPTER PLATE PIN	1	
36	1162A	LUBRA- CAP	3	
37	2219	COTTER PIN	2	
38	12408	BUSHING	2	REPLACES 2168
39	0300B	FLAT WASHER 5/16"	1	

BRT RIDE-ON POWER TROWEL— GEARBOX ADAPTER PLATES ASSY.

GEARBOX ADAPTER PLATES ASSY. S/N LD39205 AND BELOW



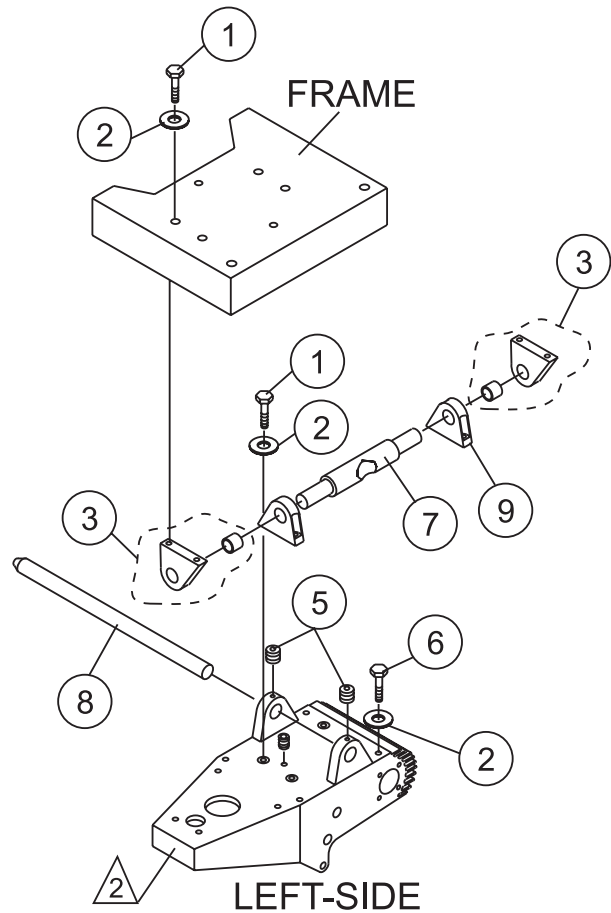
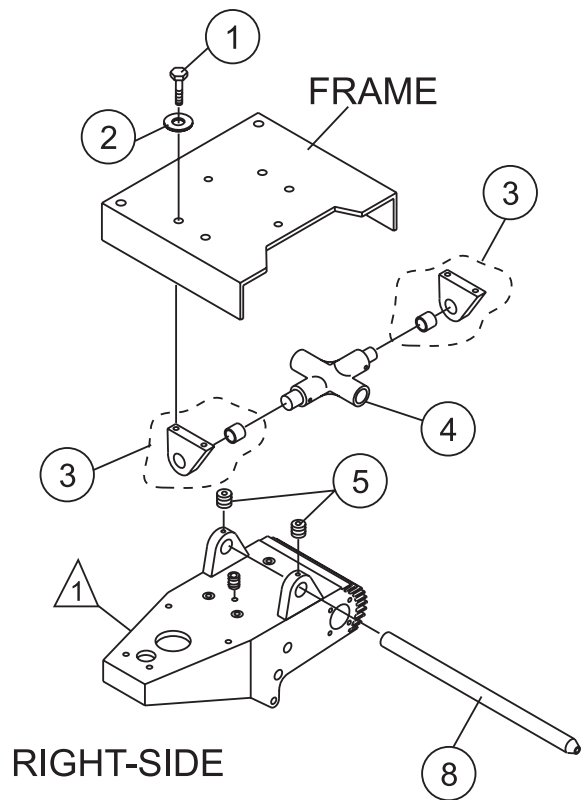
BRT RIDE-ON POWER TROWEL— GEARBOX ADAPTER PLATES ASSY.

GEARBOX ADAPTER PLATES ASSY. *S/N LD39205 AND BELOW*

<u>NO.</u>	<u>PART NO.</u>	<u>PART NAME</u>	<u>QTY.</u>	<u>REMARKS</u>
1	1023	HHCS 3/8- 16 X 1.1/4"	8	
2	0166A	LOCK WASHER 3/8"	16	
3	2079	ROCKER BLOCK ASSY.	4	
4	2044	PIVOT ARM ASSY.	1	
5	10138	SHSS 1/4- 20 X 1/2"	4	
6	1284	HHCS 3/8- 16 X 1.1/2"	8	
7	2132	ADAPTER PLATE	2	
8	2111	CONTROL PIVOT TUBE	2	
9	2078	ROCKER BLOCK	2	
10	2076	PIVOT SHAFT	1	
11	1394	HHCS 3/8- 16 X 1"	4	

BRT RIDE-ON POWER TROWEL— GEARBOX PIVOT ASSY.

GEARBOX PIVOT ASSY. S/N LD39206 AND ABOVE



NOTES:

△ 1 RIGHT-SIDE GEARBOX ASSEMBLY P/N 10966
SEE PAGES 26 AND 27.

△ 2 LEFT-SIDE GEARBOX ASSEMBLY P/N 10967
SEE PAGES 28 AND 29.

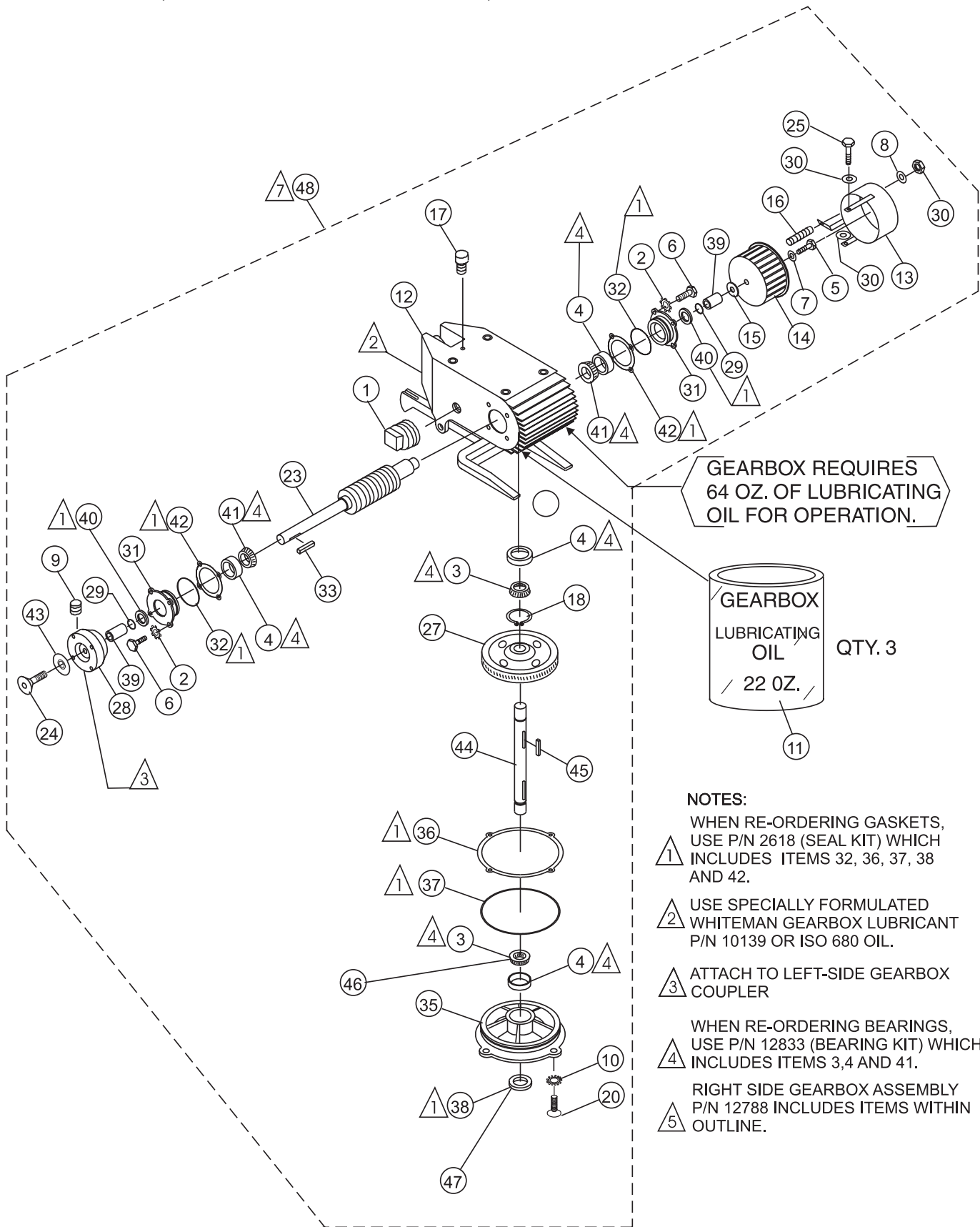
BRT RIDE-ON POWER TROWEL— GEARBOX PIVOT ASSY.

GEARBOX PIVOT ASSY. *S/N LD39206 AND ABOVE*

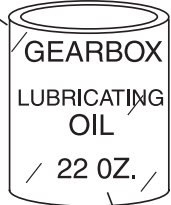
<u>NO.</u>	<u>PART NO.</u>	<u>PART NAME</u>	<u>QTY.</u>	<u>REMARKS</u>
1	1023	HHCS3/8- 16 X 1.1/4"	12	
2	0166A	LOCKWASHER 3/8"	20	
3	2079	ROCKER BLOCK ASM.	4	
4	2044	PIVOT ARM ASSY.	1	
5	10138	SHSS 1/4- 20 X 1/2"	4	
6	1284	HHCS 3/8- 16 X 1.1/2"	8	
7	2076	PIVOT SHAFT	1	
8	2111	CONTROL PIVOT TUBE	2	
9	10973	ROCKER BLOCK	2	

BRT RIDE-ON POWER TROWEL— GEARBOX ASSY. (RIGHT-SIDE)

GEARBOX ASSY. (RIGHT-SIDE 1-1/8 DIAMETER SHAFT)



GEARBOX REQUIRES
64 OZ. OF LUBRICATING
OIL FOR OPERATION.



QTY. 3

NOTES:

- 1 WHEN RE-ORDERING GASKETS, USE P/N 2618 (SEAL KIT) WHICH INCLUDES ITEMS 32, 36, 37, 38 AND 42.
- 2 USE SPECIALLY FORMULATED WHITEMAN GEARBOX LUBRICANT P/N 10139 OR ISO 680 OIL.
- 3 ATTACH TO LEFT-SIDE GEARBOX COUPLER
- 4 WHEN RE-ORDERING BEARINGS, USE P/N 12833 (BEARING KIT) WHICH INCLUDES ITEMS 3,4 AND 41.
- 5 RIGHT SIDE GEARBOX ASSEMBLY P/N 12788 INCLUDES ITEMS WITHIN OUTLINE.

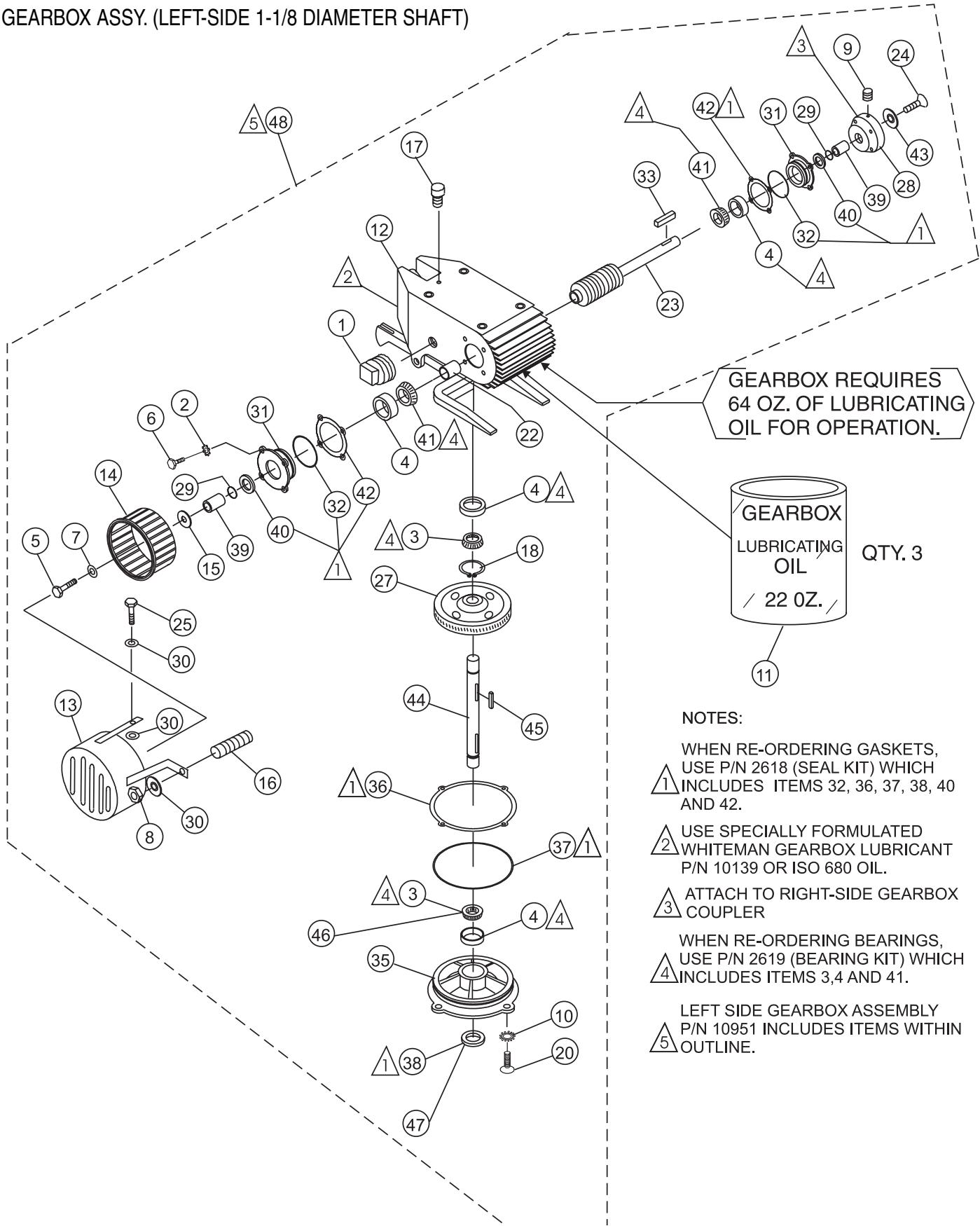
BRT RIDE-ON POWER TROWEL— GEARBOX ASSY. (RIGHT-SIDE)

GEARBOX ASSY. (RIGHT-SIDE) WITH 1-1/8 DIA. SHAFT.

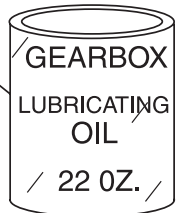
<u>NO</u>	<u>PART NO</u>	<u>PART NAME</u>	<u>QTY.</u>	<u>REMARKS</u>
1	0121 A	FITTING, PLUG 3/8MP SQ HEAD	3	
2	10031	WASHER, COPPER 1/4	8	
3*	0232	BEARING, CONE, TIMKEN #1985	2	
4*	0232 A	BEARING, CUP, TIMKEN #1932	4	
5	0424	SCREW, HHC 1/4-20 X 1-1/4	1	
6	2295	SCREW, HHC 1/4-20 X 1	8	
7	10930	WASHER, FLAT, 1/4 SAE	1	
8	10237	EXT. SHKP WASHER	1	
9	10138	SCREW, SHS 1/4-20 X 1/2, N.P.	1	
10	10235	WASHER, C/S EXT. SHKP, 5/16	4	
11	10139	GEARBOX LUBRICATING OIL (BOTTLE)	3	THREE 22 OZ. BOTTLES REQD.
12	10492	GEARBOX CASE ONLY	1	S/N LD39205 AND BELOW
12	10800	GEARBOX CASE ONLY	1	S/N LD39206 AND ABOVE
13	10890	FAN COVER, RIGHT SIDE	1	
14	10921	FAN, AAI 3.5 X 1.5 CW ROT	1	
15	10930	WASHER, FENDER, 1/4 X 1-1/4	1	
16	10989	STUD, 10-32 X 3/4	1	
17	1132	VENT, AIR	1	
18	1138	RING, SNAP, TRUARC 5100-112	1	
20	1146	SCREW, FHSC 5/16-18 X 1, NYLOC, NP	4	
23	10493	RS WORM AND C/SHAFT W/BEARING	1	S/N LD39205 AND BELOW 7-1/4"
23	10876	RS WORM AND C/SHAFT W/BEARING	1	S/N LD39206 AND ABOVE 8-1/4"
24	1146	SCREW, FHSC 3/8-24 X 3/4 PLAIN	1	
25	5065B	HEX SLOTTED WASHER HEAD 10-32 X 1/2	2	
27	2249	GEAR, WORM GEAR RH	1	
28	2030	COUPLER- 7/8" ID	1	
29	2115	RING, O, SIZE -022, BUNA-N	2	
30	2203	WASHER, FLAT, #10	3	
31	10498	COUNTERSHAFT FLANGE	2	
32#	2308	RING, O 2 13/16"	2	
33	2126	KEY, 1/4 X 1/4 X 13/16	1	
35	1145	PLATE, COVER	1	
36#	2633	SHIM, (.005, .010, AND .020)	1	
37#	1143	RING, O, A-264	1	
38#	10461	SEAL, OIL, 471763	1	
39	10497	SPACER, 1-1/4 X 1 X 1.375L	2	
40	10460	SEAL, OIL, NATIONAL #471413	2	
41*	10501	BEARING, CONE, TIMKEN #1986	2	
42#	2633	SHIM, (.002, .003, .005, .010, AND .020)	1	
43	2037	RETAINER, DRIVEN PULLEY	1	
44	2231	MAINSHAFT	1	
45	2229	KEY, 5/16 X 2-1/4 HRDND	1	
46	10518	BEARING KIT	1	INCLUDES ITEMS W/*
47	2633	SEAL KIT	1	INCLUDES ITEMS W/#
48	10966	GEARBOX ASSY.	1	

BRT RIDE-ON POWER TROWEL— GEARBOX ASSY. (LEFT-SIDE)

GEARBOX ASSY. (LEFT-SIDE 1-1/8 DIAMETER SHAFT)



GEARBOX REQUIRES
64 OZ. OF LUBRICATING
OIL FOR OPERATION.



QTY. 3

NOTES:

- WHEN RE-ORDERING GASKETS, USE P/N 2618 (SEAL KIT) WHICH INCLUDES ITEMS 32, 36, 37, 38, 40 AND 42.
- USE SPECIALLY FORMULATED WHITEMAN GEARBOX LUBRICANT P/N 10139 OR ISO 680 OIL.
- ATTACH TO RIGHT-SIDE GEARBOX COUPLER
- WHEN RE-ORDERING BEARINGS, USE P/N 2619 (BEARING KIT) WHICH INCLUDES ITEMS 3,4 AND 41.
- LEFT SIDE GEARBOX ASSEMBLY P/N 10951 INCLUDES ITEMS WITHIN OUTLINE.

BRT RIDE-ON POWER TROWEL— GEARBOX ASSY. (LEFT-SIDE)

GEARBOX ASSY. (LEFT-SIDE) WITH 1-1/8 DIA. SHAFT.

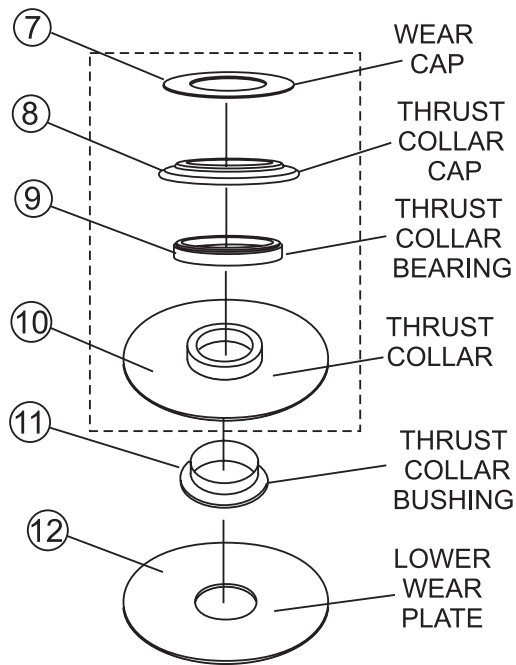
<u>NO</u>	<u>PART NO</u>	<u>PART NAME</u>	<u>QTY.</u>	<u>REMARKS</u>
1	0121 A	FITTING, PLUG 3/8MP SQ HEAD	3	
2	10031	WASHER, COPPER 1/4	8	
3*	0232	BEARING, CONE, TIMKEN #1985	2	
4*	0232 A	BEARING, CUP, TIMKEN #1932	4	
5	0424	SCREW, HHC 1/4-20 X 1-1/4	1	
6	2295	SCREW, HHC 1/4-20 X 1	8	
7	10930	WASHER, FLAT, 1/4 SAE	1	
8	10237	EXT. SHKP WASHER	1	
9	10138	SCREW, SHS 1/4-20 X 1/2, N.P.	1	
10	10235	WASHER, C/S EXT. SHKP, 5/16	4	
11	10139	GEARBOX LUBRICATING OIL (BOTTLE)	3	THREE 22 OZ. BOTTLES REQD.
12	10492	GEARBOX CASE ONLY	1	S/N LD39205 AND BELOW
12	10800	GEARBOX CASE ONLY	1	S/N LD39206 AND ABOVE
13	10882	FAN COVER, LEFT-SIDE	1	
14	10922	FAN, AAI 3.5 X 1.5 CCW ROT	1	
15	10930	WASHER, FENDER, 1/4 X 1-1/4	1	
16	10989	STUD, 10-32 X 3/4	1	
17	1132	VENT, AIR	1	
18	1138	RING, SNAP, TRUARC 5100-112	1	
20	1146	SCREW, FHSC 5/16-18 X 1, NYLOC, NP	4	
23	10496	LS WORM AND C/SHAFT W/BEARING	1	S/N LD39205 AND BELOW 7-1/4"
23	10877	LS WORM AND C/SHAFT W/BEARING	1	S/N LD39206 AND ABOVE 8-1/4"
24	1146	SCREW, FHSC 3/8-24 X 3/4 PLAIN	1	
25	5065B	HEX SLOTTED WASHER HEAD 10-32 X 1/2	2	
27	2250	GEAR, WORM GEAR LH,	1	
28	2030	COUPLER- 7/8" ID	1	
29	2115	RING, O, SIZE -022, BUNA-N	2	
30	2203	WASHER, FLAT, #10	3	
31	10498	COUNTERSHAFT FLANGE	2	
32#	2308	RING, O 2 13/16"	2	
33	2126	KEY, 1/4 X 1/4 X 13/16	1	
35	1145	PLATE, COVER	1	
36#	2633	SHIM, (.005, .010, AND .020)	1	
37#	1143	RING, O, A-264	1	
38#	10461	SEAL, OIL, 471763	1	
39	10497	SPACER, 1-1/4 X 1 X 1.375L	2	
40	10460	SEAL, OIL, NATIONAL #471413	2	
41*	10501	BEARING, CONE, TIMKEN #1986	2	
42#	2633	SHIM, (.002, .003, .005, .010, AND .020)	1	
43	2037	RETAINER, DRIVEN PULLEY	1	
44	2231	MAINSHAFT	1	
45	2229	KEY, 5/16 X 2-1/4 HRDND	1	
46	10518	BEARING KIT	1	INCLUDES ITEMS W/*
47	2633	SEAL KIT	1	INCLUDES ITEMS W/#
48	10967	GEARBOX ASSY.	1	

BRT RIDE-ON POWER TROWEL—THRUST BEARING KIT ASSY.

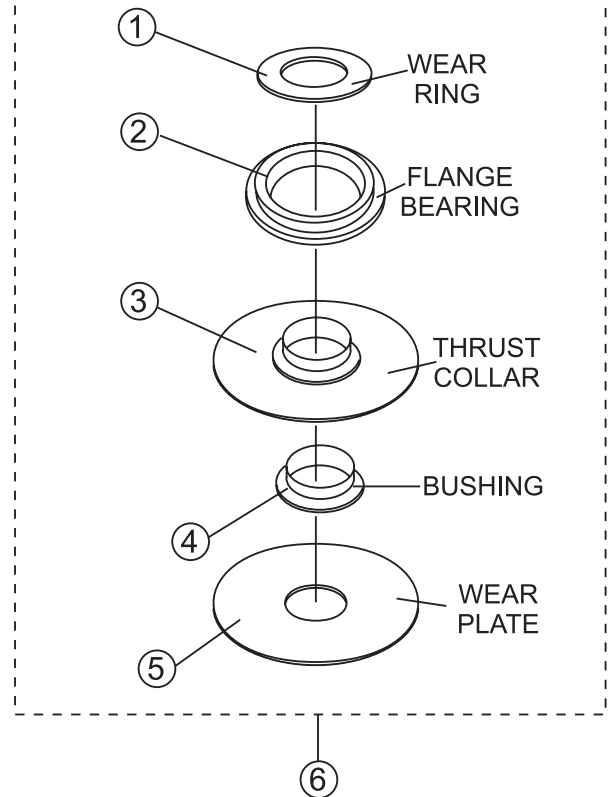
THRUST BEARING KIT ASSEMBLY.

THRUST BEARING KIT No. 10968

OLD STYLE THRUST BEARING NO LONGER USED



NEW STYLE THRUST BEARING



WHEN RE-ORDERING ***MUST*** USE
THRUST BEARING KIT P/N 10968.
OLD STYLE IS NOT AVAILABLE.

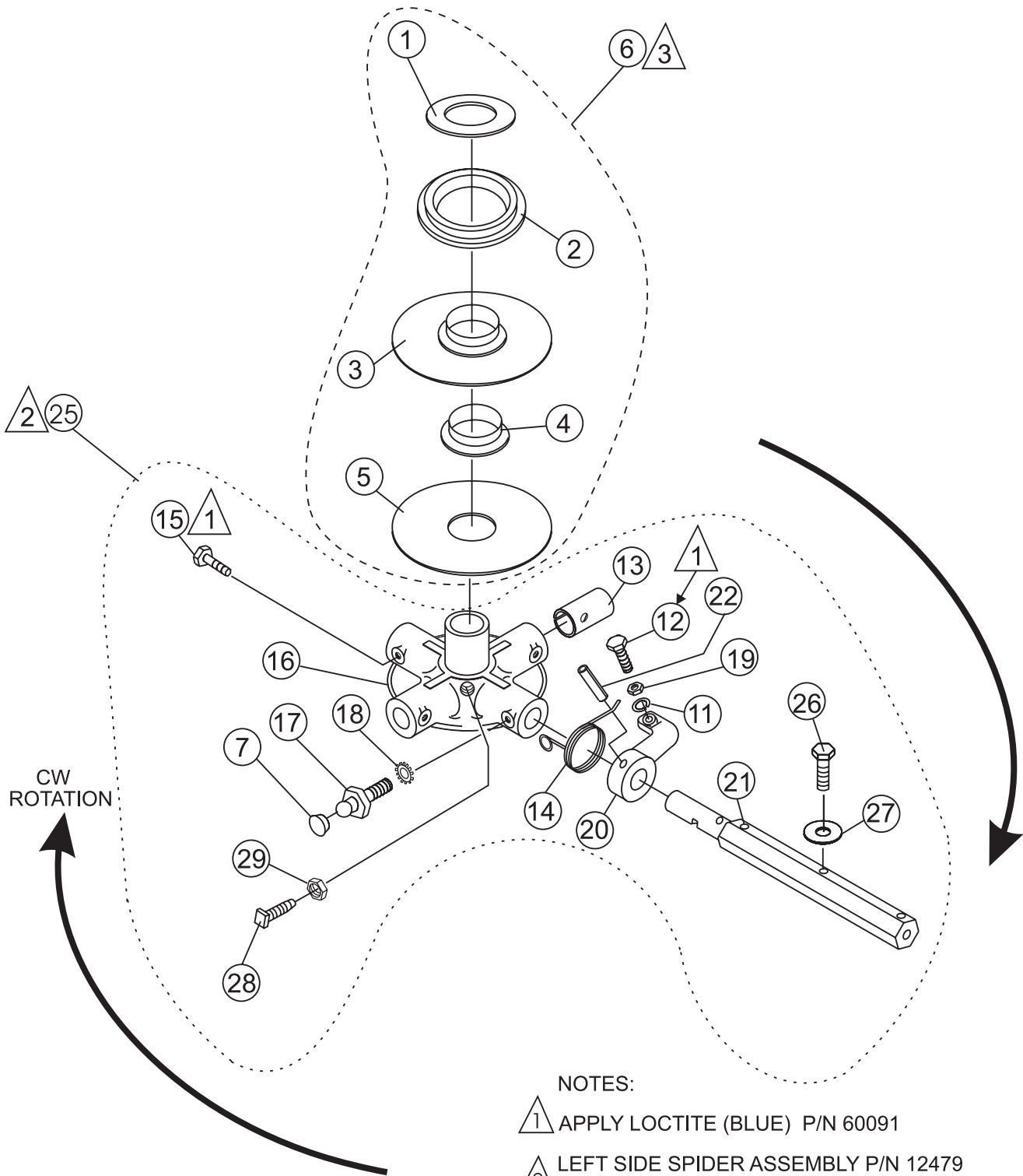
BRT RIDE-ON POWER TROWEL—THRUST BEARING KIT ASSY.

THRUST BEARING KIT ASSEMBLY.

<u>NO.</u>	<u>PART NO.</u>	<u>PART NAME</u>	<u>QTY.</u>	<u>REMARKS</u>
1*	12208	WEAR RING	1	NEW STYLE
2*	12778	FLANGE BEARING	1	NEW STYLE
3*	10793	THRUST COLLAR W/BUSHING	1	NEW STYLE
4*	1471	BUSHING	1	NEW STYLE
5*	1154A	LOWER WEAR PLATE	1	NEW STYLE
6	10968	THRUST BEARING KIT	1	INCLUDES ITEMS W/*
7	1803	WEAR CAP	1	OLD STYLE
8	1152	THRUST COLLAR CAP	1	OLD STYLE
9	1153	THRUST COLLAR BEARING	1	OLD STYLE
10	1154	THRUST COLLAR	1	OLD STYLE
11	1471	THRUST COLLAR BUSHING	1	OLD STYLE
12	1154A	LOWER WEAR PLATE	1	OLD STYLE

BRT RIDE-ON POWER TROWEL— SPIDER ASSY. (LEFT-SIDE)

LEFT SIDE SPIDER ASSEMBLY
(VIEW FROM DRIVERS SEAT)



NOTES:

- ① APPLY LOCTITE (BLUE) P/N 60091
- ② LEFT SIDE SPIDER ASSEMBLY P/N 12479
INCLUDES ALL ITEMS WITHIN OUTLINE.
- ③ THRUST BEARING KIT P/N 10968
INCLUDES ALL ITEMS WITHIN OUTLINE.

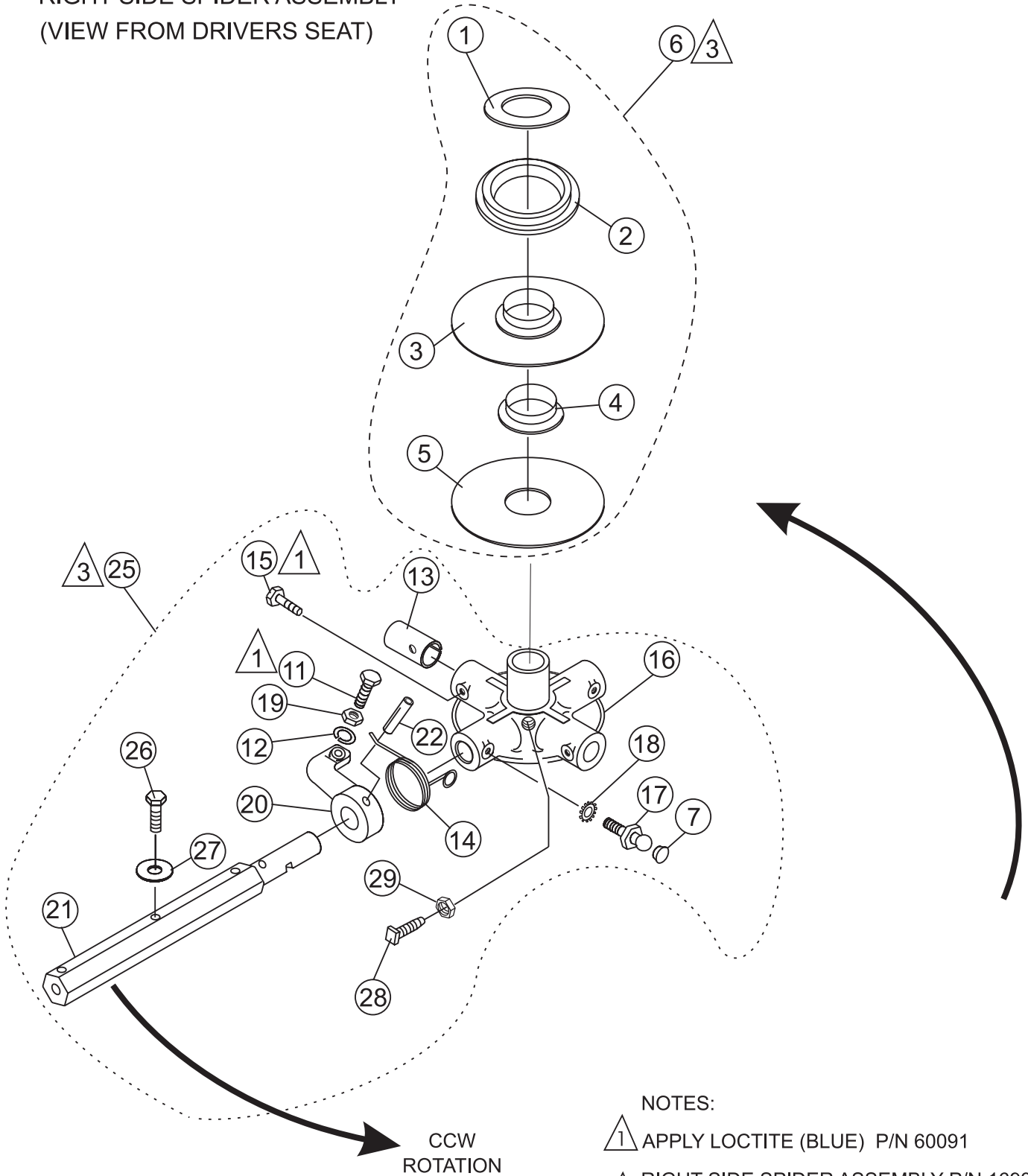
BRT RIDE-ON POWER TROWEL— SPIDER ASSY. (LEFT-SIDE)

4-BLADE SPIDER ASSY. (LEFT-SIDE)

<u>NO</u>	<u>PART NO</u>	<u>PART NAME</u>	<u>QTY.</u>	<u>REMARKS</u>
1*	12208	WEAR RING	1	
2*	12778	FLANGE BEARING	1	
3*	10793	THRUST COLLAR W/BUSHING	2	
4*	1471	BUSHING	1	
5*	1154A	LOWER WEAR PLATE	1	
6	10968	THRUST BEARING KIT	1	INCLUDES ITEMS W/*
7#	1162 A	CAP, GREASE ZERK, #2 YELLOW	1	
11#	0164 B	WASHER, LOCK 3/8" MED	4	
12#	0166 A	HHC 3/8-16 X 1-1/4 FT.	4	
13#	1157A	BUSHING	8	
14#	1316	SPRING, L.S. ARM RETURN	4	
15#	11602	SCREW, HHC 3/8-16 X 3/8	4	
16#	12452	PLATE, SPIDER	1	
17#	1322	SCREW, RETAINING	4	
18#	1875	WASHER, INT. SHKP, 3/8	4	
19#	1876	NUT, HEX JAM 3/8-16 CLASS 2B	4	
20#	1163	LEVER, TROWEL RH	4	
21#	2827	ARM, TROWEL EXTENDED 16-1/2"	4	
22#	4164	PIN, ROLL 5/16 X 2, N.P.	4	
25	12479	SPIDER ASSY, LEFT SIDE	1	INCLUDES ITEMS W/#
26#	0105	HHCS 5/16-18 X 1.1/2"	4	
27#	0161C	LOCK WASHER 5/16"	8	
28	12097	SCREW, SQHS 3/8-16x1-3/4" CONE GD 8	1	
29	1456	NUT, HEX. 3/8-16	1	

BRT RIDE-ON POWER TROWEL— SPIDER ASSY. (RIGHT-SIDE)

RIGHT SIDE SPIDER ASSEMBLY
(VIEW FROM DRIVERS SEAT)



NOTES:

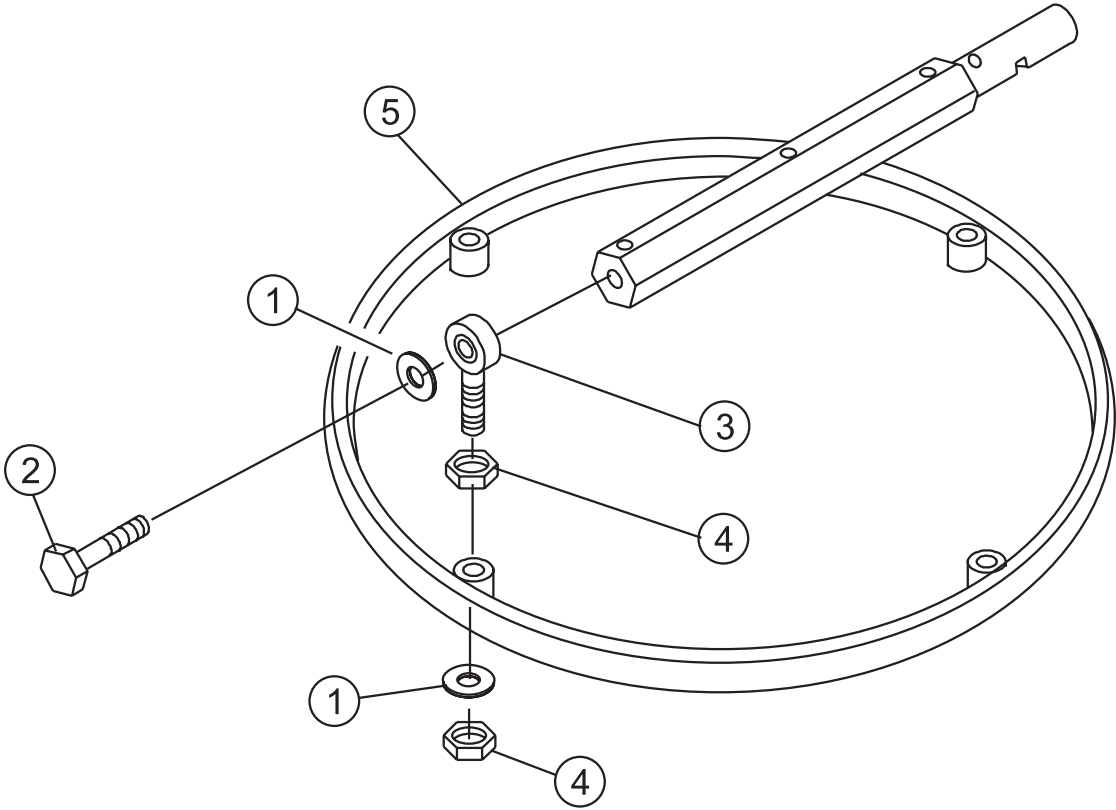
- ① APPLY LOCTITE (BLUE) P/N 60091
- ② RIGHT SIDE SPIDER ASSEMBLY P/N 1693 INCLUDES ALL ITEMS WITHIN OUTLINE.
- ③ THRUST BEARING KIT P/N 10968 INCLUDES ALL ITEMS WITHIN OUTLINE.

BRT RIDE-ON POWER TROWEL— SPIDER ASSY. (RIGHT-SIDE)

4-BLADE SPIDER ASSY.(RIGHT-SIDE)

<u>NO</u>	<u>PART NO</u>	<u>PART NAME</u>	<u>QTY.</u>	<u>REMARKS</u>
1*	12208	WEAR RING	1	
2*	12778	FLANGE BEARING	1	
3*	10793	THRUST COLLAR W/BUSHING	2	
4*	1471	BUSHING	1	
5*	1154A	LOWER WEAR PLATE	1	
6	10968	THRUST BEARING KIT	1	INCLUDES ITEMS W/*
7#	1162 A	CAP, GREASE ZERK, #2 YELLOW	1	
11#	0164 B	SCREW, HHC 3/8-16 X 1 1/4 F.T.	4	
12#	0166 A	WASHER, LOCK, 3/8 MED.	4	
13#	1157A	BUSHING	8	
14#	1317	SPRING, R.S. ARM RETURN	4	
15#	11602	SCREW, HHC 3/8-16 X 3/8	4	
16#	12452	PLATE, SPIDER	1	
17#	1322	SCREW, RETAINING	4	
18#	1875	WASHER, INT. SHKP, 3/8	4	
19#	1876	NUT, HEX JAM 3/8-16 CLASS 2B	4	
20#	1555	LEVER, TROWEL LH	4	
21#	2827	ARM, TROWEL EXTENDED 16-1/2"	4	
22#	4164	PIN, ROLL 5/16 X 2, N.P.	4	
25	1693	SPIDER ASSY, RIGHT SIDE	1	INCLUDES ITEMS W/#
26#	0105	HHCS 5/16-18 X 1.1/2"	4	
27#	0161C	LOCK WASHER 5/16"	8	
28	12097	SCREW, SQHS 3/8-16x1-3/4" CONE GD 8	1	
29	1456	NUT, HEX. 3/8-16	1	

BRT RIDE-ON POWER TROWEL— STABILIZER RING ASSY.



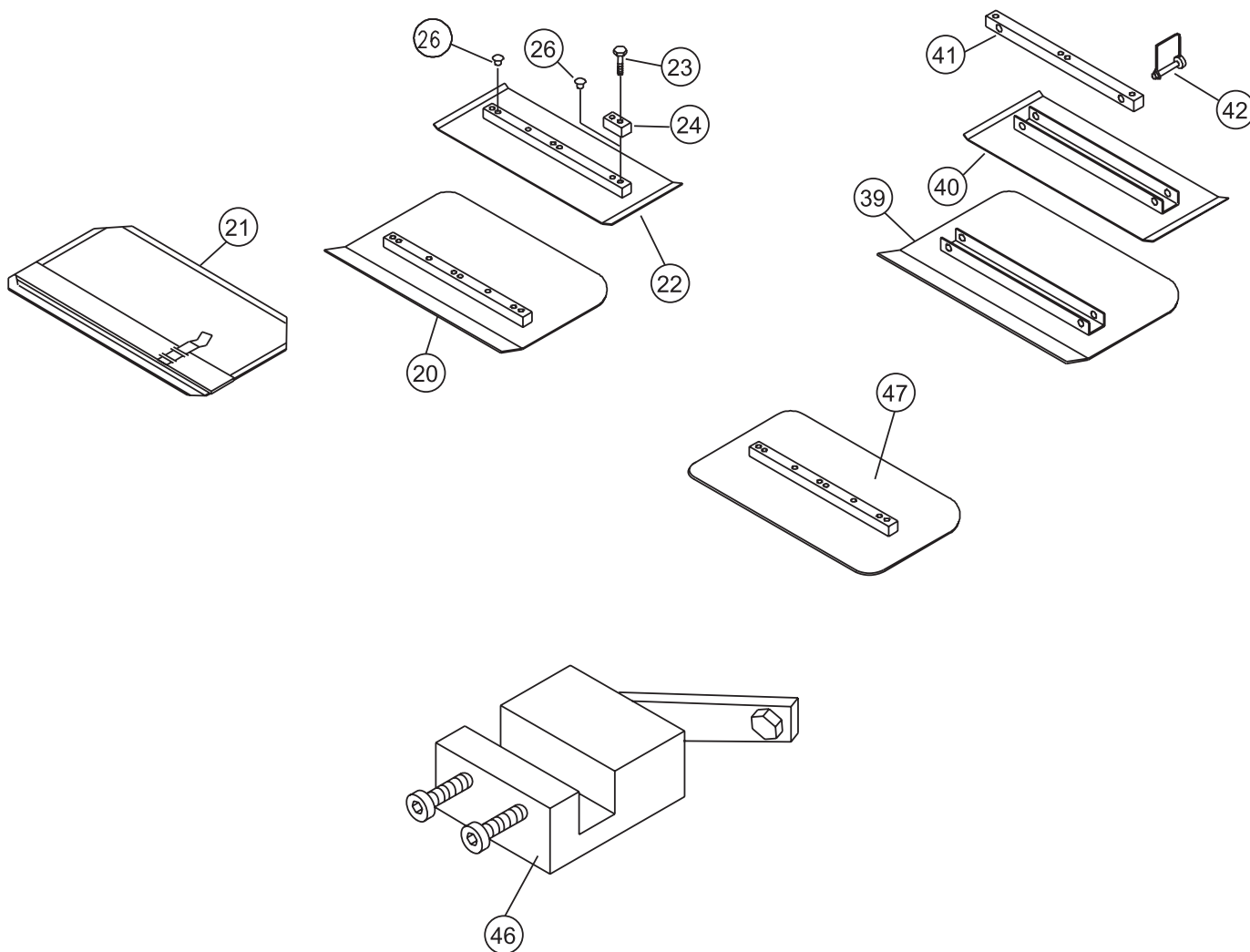
BRT RIDE-ON POWER TROWEL— STABILIZER RING ASSY.

STABILIZER ASSY.

<u>NO</u>	<u>PART NO</u>	<u>PART NAME</u>	<u>QTY.</u>	<u>REMARKS</u>
1	0161C	LOCK WASHER 5/16"	5	
2	1237	SCREW, SCH 5/16-18 X 7/8	5	
3	1723	ROD END, 5/16-24 MALE	4	
4	6014C	NUT, HEX FINISH 5/16-24	8	
5	12095	RING, STABILIZER, EXT ARM, HD	1	

BRT RIDE-ON POWER TROWEL— BLADES AND ADJ. FIXTURE ASSY.

BLADES & ADJUSTMENT FIXTURE ASSY.



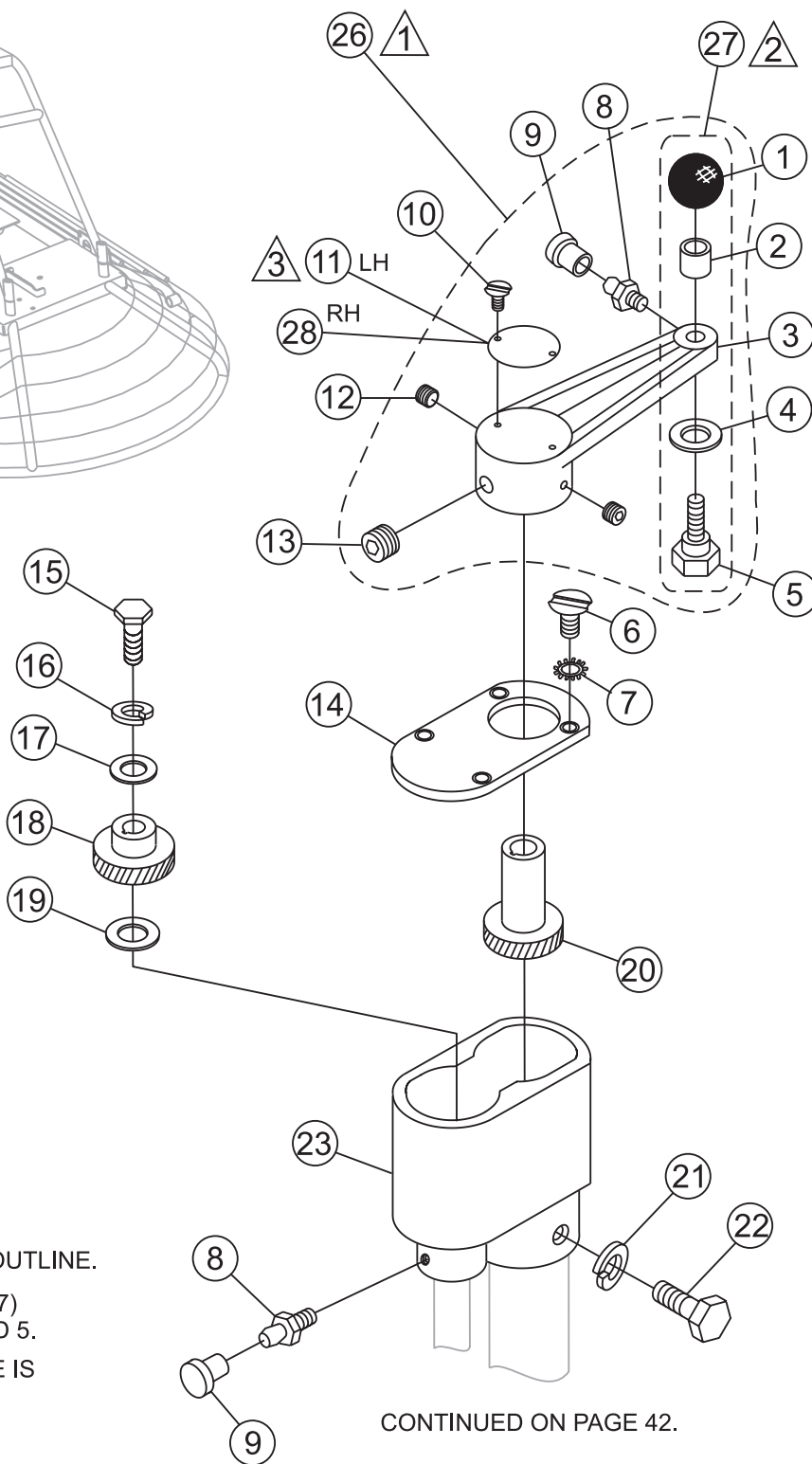
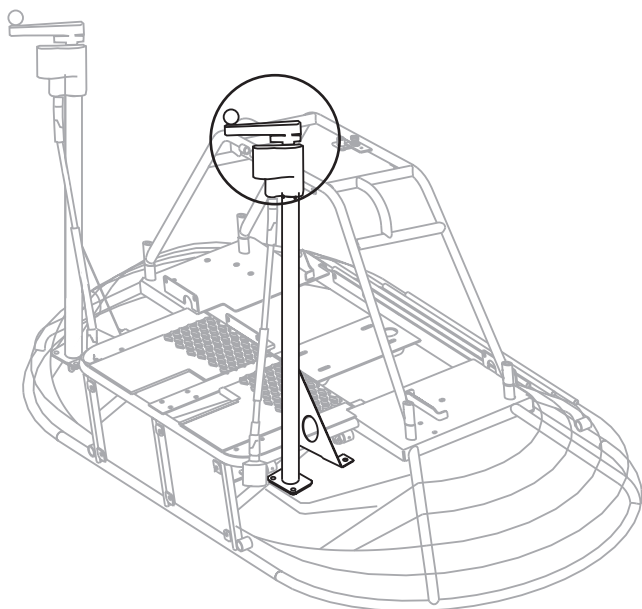
BRT RIDE-ON POWER TROWEL— BLADES AND ADJ. FIXTURE ASSY.

BLADES & ADJUSTMENT FIXTURE ASSY.

<u>NO.</u>	<u>PART NO.</u>	<u>PART NAME</u>	<u>QTY.</u>	<u>REMARKS</u>
20		COMBO FLOAT & FINISH BLADE	4	CONTACT UNIT SALES DEPT./ACCESSORY ITEM
20		ENDURO COMBO FLOAT & FINISH BLADE	4	CONTACT UNIT SALES DEPT./ACCESSORY ITEM
21		FLOAT BLADE	4	CONTACT UNIT SALES DEPT./ACCESSORY ITEM
22		FINISH BLADE	4	CONTACT UNIT SALES DEPT./ACCESSORY ITEM
22		ENDURO FINISH BLADE W/ROTATING	4	CONTACT UNIT SALES DEPT./ACCESSORY ITEM
23	0202	HHCS 5/16-18X1" RING	4	
24	0201	GUARD RING LUG RING	4	
26	1434	TROWEL LUG (FINISH BLADE ONLY)	4	
39		UNIVERSAL COMBO BLADE	4	CONTACT UNIT SALES DEPT./ACCESSORY ITEM
39		ENDURO UNIVERSAL COMBO BLADE	4	CONTACT UNIT SALES DEPT./ACCESSORY ITEM
40		UNIVERSAL FINISH BLADE	4	CONTACT UNIT SALES DEPT./ACCESSORY ITEM
40		ENDURO UNIVERSAL FINISH BLADE	4	CONTACT UNIT SALES DEPT./ACCESSORY ITEM
41		UNIVERSAL MOUNTING BAR	4	CONTACT UNIT SALES DEPT./ACCESSORY ITEM
42		SNAP PIN 1/4"X1.3/4"	8	CONTACT UNIT SALES DEPT./ACCESSORY ITEM
46		TROWEL ARM ADJ. FIXTURE ASSY	1	CONTACT UNIT SALES DEPT./ACCESSORY ITEM
47		REVERSIBLE COMBO BLADE	4	CONTACT UNIT SALES DEPT./ACCESSORY ITEM
49		FLOAT DISC	1	CONTACT UNIT SALES DEPT./ACCESSORY ITEM
50		FLOAT DISC LATCH PIN	4	CONTACT UNIT SALES DEPT./ACCESSORY ITEM

BRT RIDE-ON POWER TROWEL—TWIN PITCH HANDLE ASSY. (RT/LT)

TWIN PITCH CONTROL ASSY. (RIGHT AND LEFT)



- ▲ 1 LEVER ASSEMBLY, ITEM 26 INCLUDES ITEMS WITHIN OUTLINE.
- ▲ 2 KNOB KIT P/N 2737 (ITEM 27) INCLUDES ITEMS 1,2,4, AND 5.
- ▲ 3 RIGHT SIDE PITCH HANDLE IS IDENTICAL TO LEFT SIDE PITCH HANDLE UNLESS OTHERWISE NOTED.

CONTINUED ON PAGE 42.

BRT RIDE-ON POWER TROWEL—TWIN PITCH HANDLE ASSY. (RT/LT)

TWIN PITCH HANDLE ASSY. (LEFT AND RIGHT)

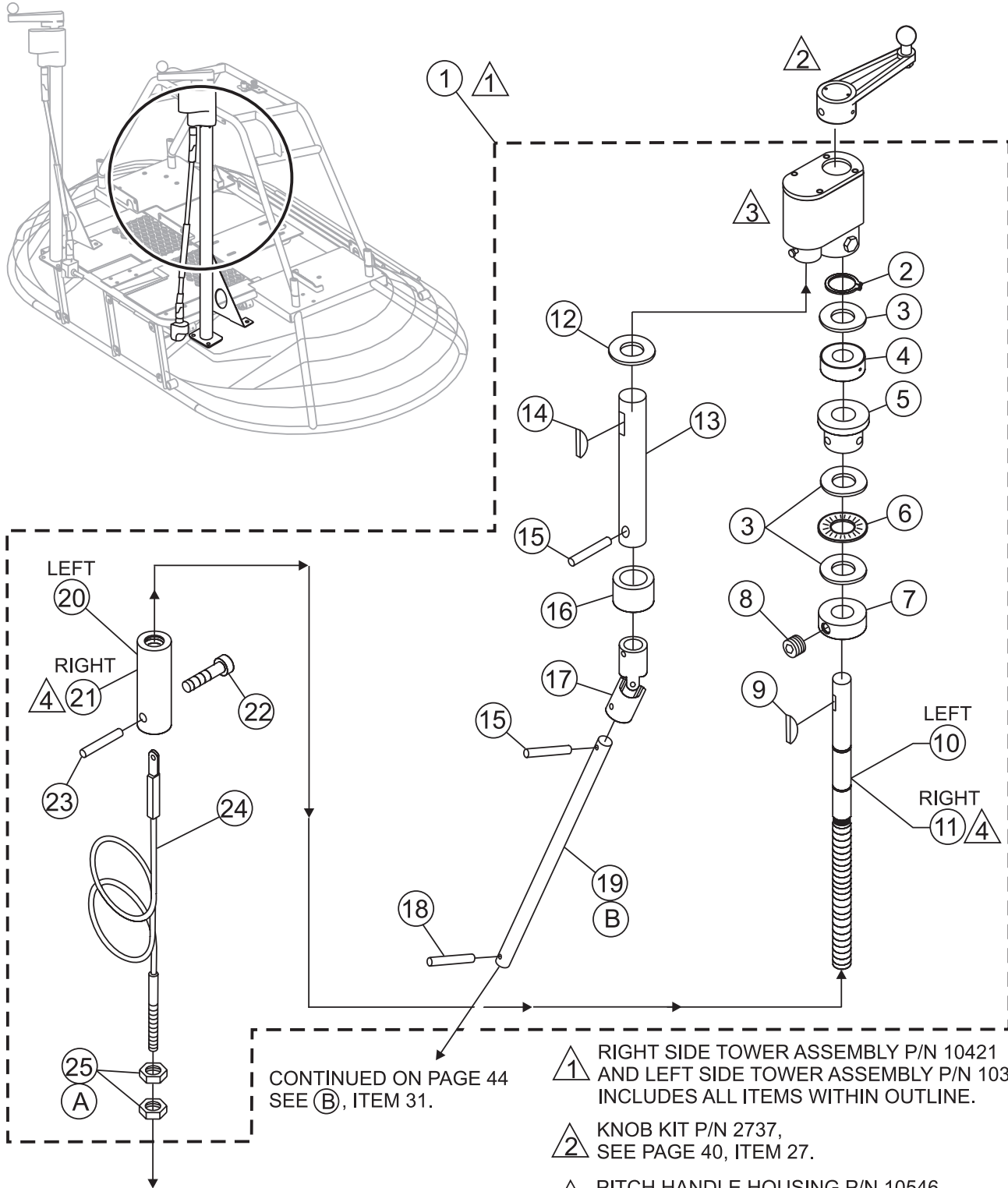
<u>NO</u>	<u>PART NO</u>	<u>PART NAME</u>	<u>QTY.</u>	<u>REMARKS</u>
1 #	4403	CRANK KNOB	1	
2 #	3231	SPACER	1	
3 #	1615	CRANK LEVER	1	
4 #	1733	HARDENED WASHER	1	
5 #	1616	SHOULDER BOLT	1	
6 +%	2620	SCREW, BHC 10 – 24 X 5/8	4	
7	10114	WASHER, EXT. SHKP, #8	4	
8+%	2621	FITTING GREASE	4	
9+%	1162A	CAP, GREASE ZERK	4	
10 #	4014	SCREW, 2-3/16 P-K TYPE U DRIVE	2	
11	2300	DECAL, AL PITCH, RH	1	
12 #	1528	SCREW, SHSS 1/4 – 20 X 5/16"	2	
13 #	0185	SCREW, SHSS 3/8 – 16 X 3/8"	1	
14 +%	2649	COVER, PITCH CONT HOUSING	1	
15 +%	1579	SCREW, HHC 1/4 – 20 X 1/2	1	
16 +%	0181 B	WASHER, LOCK, 1/4 MED	4	
17 +%	0948	WASHER, FLAT, 1/4 SAE	1	
18 +%	1530	GEAR, SLAVE, TPC	1	
19 +%	1733	WASHER, 1/32 X 1/2 HARDENED	8	
20 +%	1529	GEAR, MASTER, TPC	1	
21 +%	0161C	WASHER, LOCK 5/16 MED	1	
22 +%	0655	SCREW, HHC 5/16 – 18 X 3/4	1	
23 +%	10546	HOUSING, PITCH CONTROL, 1-3/4	1	
25 +%	1162 A	CAP, GREASE ZERK	1	
26	1617	LEVER ASSY. , TROWEL ADJUSTMENT ...	1	INCLUDES ITEMS W/#
27	2737	KNOB, KIT	1	INCLUDES ITEMS W/\$
28	2332	DECAL, AL PITCH, LH	1	

NOTE 1: ITEMS WITH % ARE PART OF TWIN PITCH ASSY. RIGHT SIDE
 ITEMS WITH + ARE PART OF TWIN PITCH ASSY. LEFT SIDE

NOTE 2: INDICATED QUANTITIES ARE FOR ONE PITCH TOWER.
 IF ORDERING FOR TWO PITCH TOWERS DOUBLE THE QUANTITY.

BRT RIDE-ON POWER TROWEL—TWIN PITCH TOWER ASSY. (RT/LT)

TWIN PITCH TOWER ASSY. (LEFT AND RIGHT)



CONTINUED ON PAGE 44
SEE (B), ITEM 31.

CONTINUED ON PAGE 44
SEE (A), ITEM 32.

- 1 RIGHT SIDE TOWER ASSEMBLY P/N 10421 AND LEFT SIDE TOWER ASSEMBLY P/N 10392 INCLUDES ALL ITEMS WITHIN OUTLINE.
- 2 KNOB KIT P/N 2737, SEE PAGE 40, ITEM 27.
- 3 PITCH HANDLE HOUSING P/N 10546 COMPONENTS, SEE PAGE 40, ITEM 23
- 4 RIGHT SIDE TWIN PITCH ASSEMBLY IS IDENTICAL TO LEFT SIDE TWIN PITCH ASSEMBLY UNLESS OTHERWISE NOTED.

BRT RIDE-ON POWER TROWEL—TWIN PITCH TOWER ASSY. (RT/LT)

TWIN PITCH TOWER ASSY. (LEFT AND RIGHT)

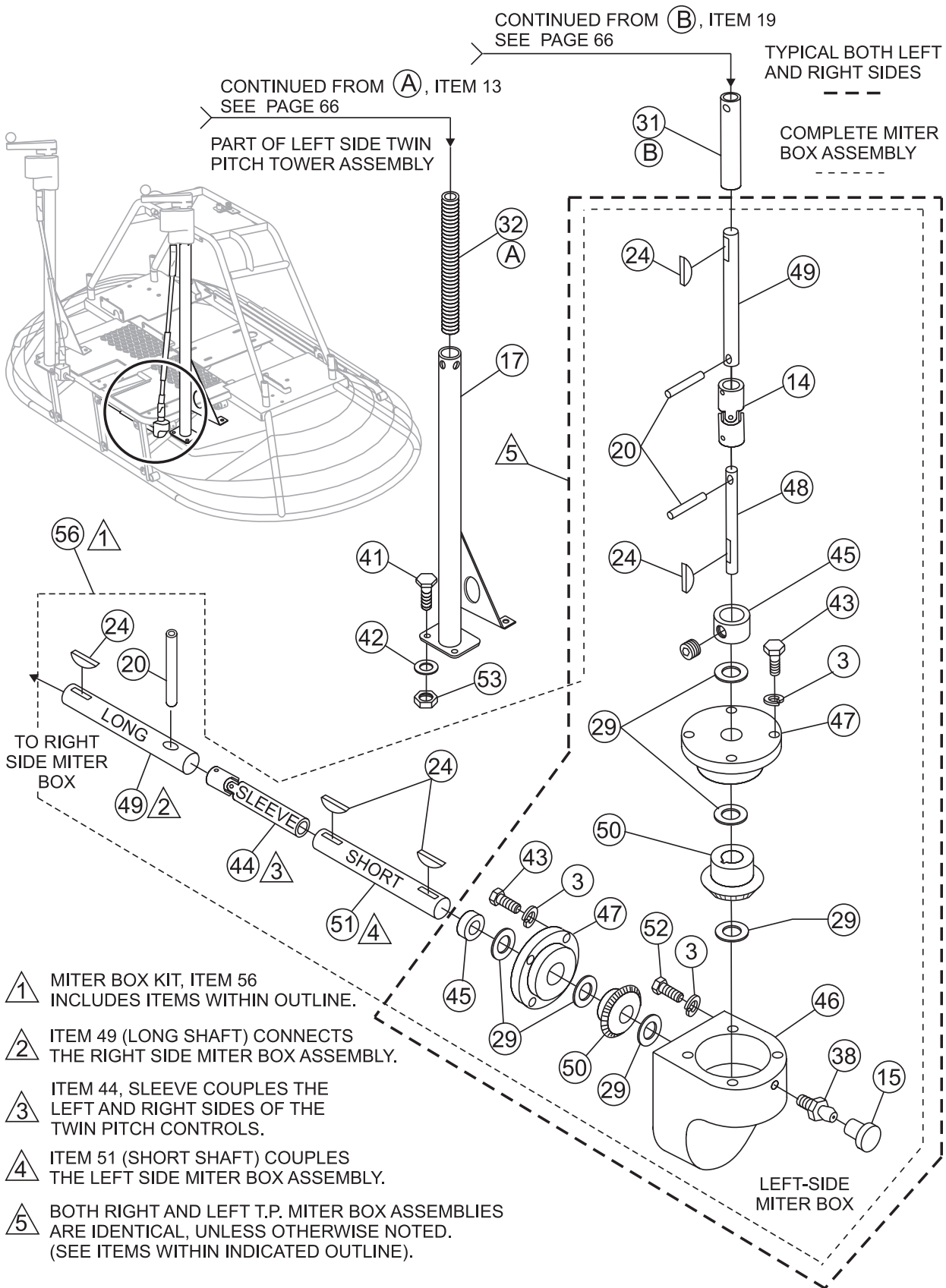
<u>NO</u>	<u>PART NO</u>	<u>PART NAME</u>	<u>QTY.</u>	<u>REMARKS</u>
1 (LT)	10392	TOWER ASSY. , LEFT TPC	1	.. INCLUDES ITEMS W/+
1 (RT)	10421	TOWER ASSY. , RIGHT TPC	1	.. INCLUDES ITEMS W/%
2 +%	10512	RING, SNAP, TRUARC 5160 – 75	1	
3 +%	2170	BEARING, RACE, TORR #TRA 1220	3	
4 +%	1604	BEARING, BALL	1	
5 +%	1612	BEARING, ALUM – PITCH CONTR	1	
6 +%	2169	BEARING, THRUST, TORR #NTA 1220	1	
7 +%	2367	SET COLLAR	1	.. INCLUDES ITEM 8
8 +%	0685	SCREW, SHS 5/16-18 X 5/16	1	
9 +%	0126 B	KEY, WOODRUFF #9	1	
10 +	2010	SHAFT, PITCH CONTROL, LH TPC	1	.. LEFT SIDE ONLY REPLACES 10511
11 %	10510	SHAFT, PITCH CONTROL, RH TPC	1	.. RIGHT SIDE ONLY
12 +%	1733	WASHER, 1/32 X 1/2 HARDENED	8	
13 +%	2007	SHAFT	1	
14 +%	1578	KEY, WOODRUFF, #3	9	.. QTY. INCLUDES USAGE ON BOTH TWIN PITCH ASSEMBLIES, AND MITER BOX SHAFTS.
15 +%	11654	PIN, ROLL 1/8 X 1 PLATED	5	.. QTY. INCLUDES USAGE ON BOTH TWIN PITCH ASSEMBLIES, AND MITER BOX SHAFTS.
16 +%	2311	SPACER, 3/4 X 1/2 X 0.8L	1	
17 +%	1536	U-JOINT, PITCH CONTROL	1	
18 +%	1586	PIN, ROLL 1/8 X 3/4	1	
19 +%	2023	SHAFT, PITCH CONTROL	1	
20 +	10722	SLIDE BLOCK, LH PITCH CONTROL	1	.. LEFT SIDE ONLY
21 %	10721	SLIDE BLOCK, RH PITCH CONTROL	1	.. RIGHT SIDE ONLY
22 +%	10382	BOLT, SHOULDER 3/8 X 3/8 LONG	1	
23 +%	10723	PIN, SPIROL 3/16 X 1 3/8 HD	1	
24 +%	2008	CABLE, PITCH ASSY.	1	
25 +%	1116	NUT, BRASS JAM 5/16 – 18	2	

NOTE 1: ITEMS WITH % ARE PART OF TWIN PITCH ASSY. RIGHT SIDE
 ITEMS WITH + ARE PART OF TWIN PITCH ASSY. LEFT SIDE

NOTE 2: INDICATED QUANTITIES ARE FOR ONE PITCH TOWER.
 IF ORDERING FOR TWO PITCH TOWERS DOUBLE THE QUANTITY.

BRT RIDE-ON POWER TROWEL—TWIN PITCH MITER BOX ASSY. (RT/LT)

TWIN PITCH MITER BOX ASSY. (RIGHT AND LEFT)



BRT RIDE-ON POWER TROWEL—TWIN PITCH MITER BOX ASSY. (RT/LT)

TWIN PITCH MITER BOX ASSY. (RIGHT AND LEFT)

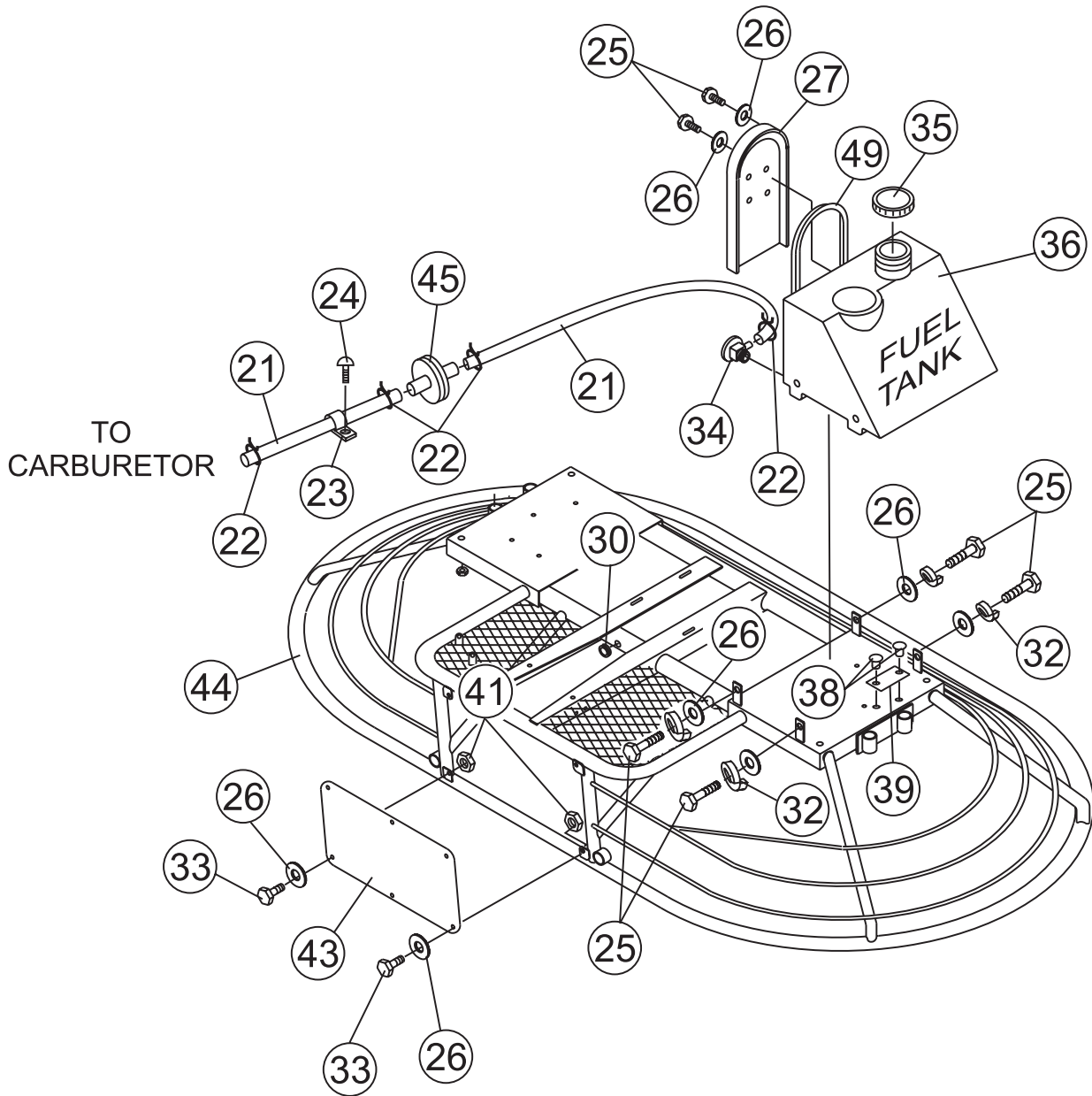
<u>NO.</u>	<u>PART NO.</u>	<u>PART NAME</u>	<u>QTY.</u>	<u>REMARKS</u>
3*+%	0181B	WASHER, LOCK 1/4 MED	20	
14*+%	1536	U-JOINT, PITCH CONTROL	2	
15*+%	1162 A	CAP, GREASE ZERK	2	
17	10548	TUBE, PITCH CONTROL	1	
20*+%	1586	PIN ROLL 1/8 x 3/4	11	QTY INCLUDES USAGE ON BOTH TWIN PITCH ASSEMBLIES, AND MITER BOX SHAFTS.
24*+%	1578	KEY, WOODRUFF, #3	9	QTY INCLUDES USAGE ON BOTH TWIN PITCH ASSEMBLIES, AND MITER BOX SHAFTS.
29*+%	1733	WASHER, 1/32 x 1/2 HARDEN	8	
31	2012	SLEEVE, ADJ.-LONG RIDER	1	
32	2156	SPRING, COIL	1	
38*+%	2621	ZERK, GREASE STR 1/4-28	2	
41	0202	SCREW, HHC 5/16-18 x 1	4	
42	0300 B	WASHER, FLAT 5/16 SAE	4	
43*	0730	SCREW, HHC 1/4-20 x 1	8	
44*	2104	SLEEVE W/U JOINT	1	
45*	1577	SET COLLAR, 1/2	2	
46*	1987	MITER BOX, PITCH CONTROL	1	
47*	1988	MITER BOX, BEARING CAP	2	
48*	2021	SHAFT, MITER VERTICAL	1	
49*	2022	SHAFT, MITER	3	QTY INCLUDES USAGE ON BOTH TWIN PITCH ASSEMBLIES, AND MITER BOX SHAFTS.
50*	2062	GEAR, MITER	2	
51*	2049	SHAFT, MITER BOX HORIZ.	1	
52*	4514	SCREW, HHC 1/4-20 x 5/8	4	
53	5283	NUT, NYLOC 5/16-18	4	
56	11655	MITER BOX ASSEMBLY	1	INCLUDES ITEMS W/*

NOTE 1: ITEMS WITH % ARE PART OF TWIN PITCH ASSY. RIGHT SIDE
 ITEMS WITH + ARE PART OF TWIN PITCH ASSY. LEFT SIDE

NOTE 2: INDICATED QUANTITIES ARE FOR ONE PITCH TOWER.
 IF ORDERING FOR TWO PITCH TOWERS DOUBLE THE QUANTITY.

BRT RIDE-ON POWER TROWEL— MAIN FRAME ASSY.

MAIN FRAME ASSY.



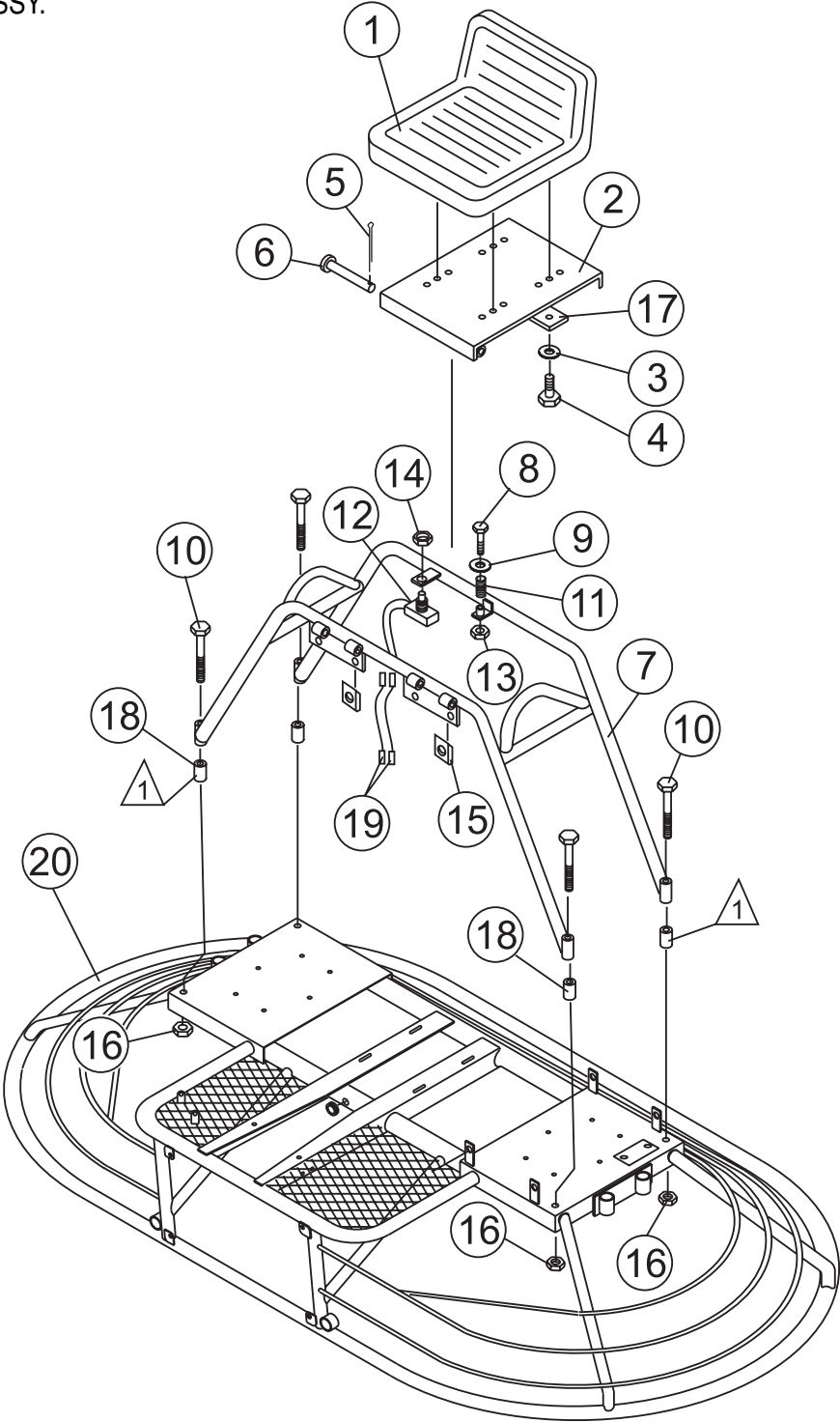
BRT RIDE-ON POWER TROWEL— MAIN FRAME ASSY.

MAIN FRAME ASSY.

<u>NO.</u>	<u>PART NO.</u>	<u>PART NAME</u>	<u>QTY.</u>	<u>REMARKS</u>
21	2135	FUEL LINE	1	
22	19473	HOSE CLAMP	2	
23	8126	CLAMP	1	
24	2299	HHCS 8MM- 1.25 X 15MM	1	
25	4514	HHCS 1/4- 20 X 5/8"	6	
26	0948	FLAT WASHER 1/4"	12	
27	2429	SPARE BELT CARRIER	1	
30	2923	RUBBER GROMMET	1	
32	0181B	LOCK WASHER 1/4- 20	2	
33	0131A	HHCS 1/4- 20 X 3/4"	8	
34	2161	FUEL VALVE	1	
35	2712	FUEL CAP	1	
36	2028	FUEL TANK	1	
38	4014	U- DRIVE SCREW 2 X 3/16"	2	
39		SERIAL NUMBER PLATE	1 CONTACT MULTIQUIP PARTS DEPT.
41	10024	LOCK NUT 1/4- 20	6	
43	2536	FRONT PANEL	1	
44	10638	MAIN FRAME	1	
45	2346	FUEL FILTER	1	
49	11064	SPARE BELT A-36 (138 RPM)	2 VANGUARD, ONAN, KOHLER, AND HONDA
49	2155	SPARE BELT A-37 (120 RPM)	2 VANGUARD ONLY
49	3546	SPARE BELT A-38 (120 RPM)	2 HONDA ONLY
49	1619	SPARE BELT A-39 (100 RPM)	2 VANGUARD, ONAN, KOHLER, AND HONDA
49	2152	SPARE BELT A-40 (120 RPM)	2 ONAN AND KOHLER

BRT RIDE-ON POWER TROWEL— SEAT FRAME ASSY.

SEAT FRAME ASSY.



NOTES:

- 1 SPACER P/N 2893, ITEM 18 IS USED ON KOHLER AND HONDA MODELS ONLY.

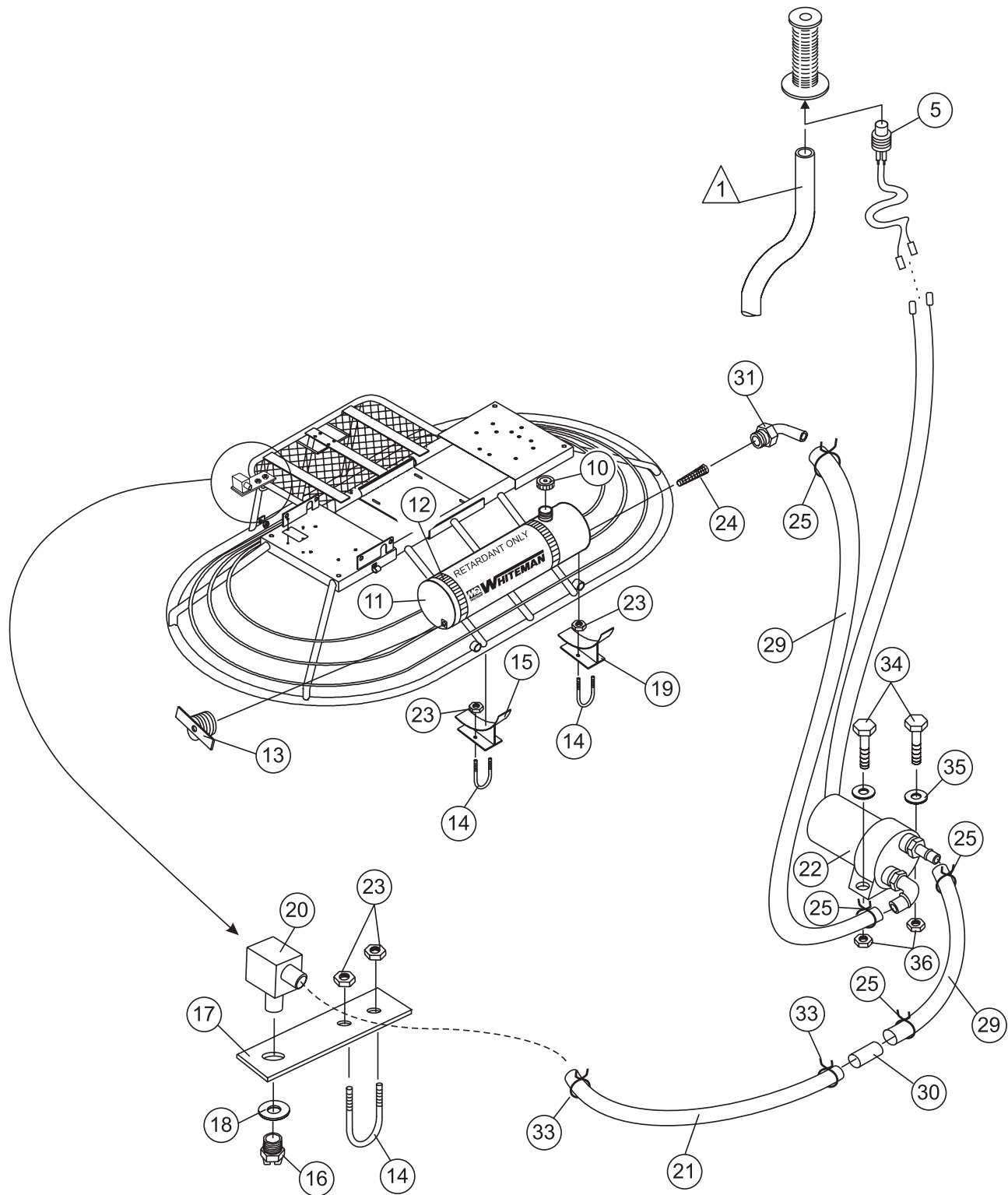
BRT RIDE-ON POWER TROWEL— SEAT FRAME ASSY.

SEAT FRAME ASSY.

<u>NO.</u>	<u>PART NO.</u>	<u>PART NAME</u>	<u>QTY.</u>	<u>REMARKS</u>
1	2351	SEAT	1	
2	2421	SEAT MOUNTING PLATE	1	
3	0161C	LOCK WASHER 5/16"	3	
4	0655	HHCS 5/16- 18 x 3/4"	4	
5	0183	COTTER PIN	2	
6	8081	CLEVIS PIN	2	
7	2812	SEAT FRAME	1	VANG.
7	2758	SEAT FRAME	1	ONAN
7	10697	SEAT FRAME	1	KOHLER
7	10978	SEAT FRAME	1	HONDA
8	8156	HHCS 3/8- 16 X 2.1/2"	1	
9	4001	FLAT WASHER 3/8"	1	
10	2549	HHCS 1/2- 13 X 3"	4	VAN/ONAN
10	10306	HHCS 1/2- 13 X 4.1/2"	4	KOHLER/HONDA
11	2585	COIL SPRING	1	
12	2584	PUSH BUTTON SWITCH	1	
13	10133	LOCK NUT 3/8- 16	1	
14	2906	PANEL NUT	1	
15	10284	CLIP- ON NUT 10- 32	2	
16	10176	LOCK NUT 1/2- 13	4	
17	2759	SEAT KILL SWITCH ADAPTER	1	ONAN/HONDA
18	2893	SPACER	4	KOHLER/HONDA
19	2946	JUMPER WIRE	1	KOHLER
20	10638	MAIN FRAME	1	

BRT RIDE-ON POWER TROWEL— RETARDANT SPRAY TANK ASSY.

RETARDANT SPRAY TANK ASSY.



1 SEE RIGHT-SIDE STEERING ASSEMBLY PAGE 20, ITEM 3.

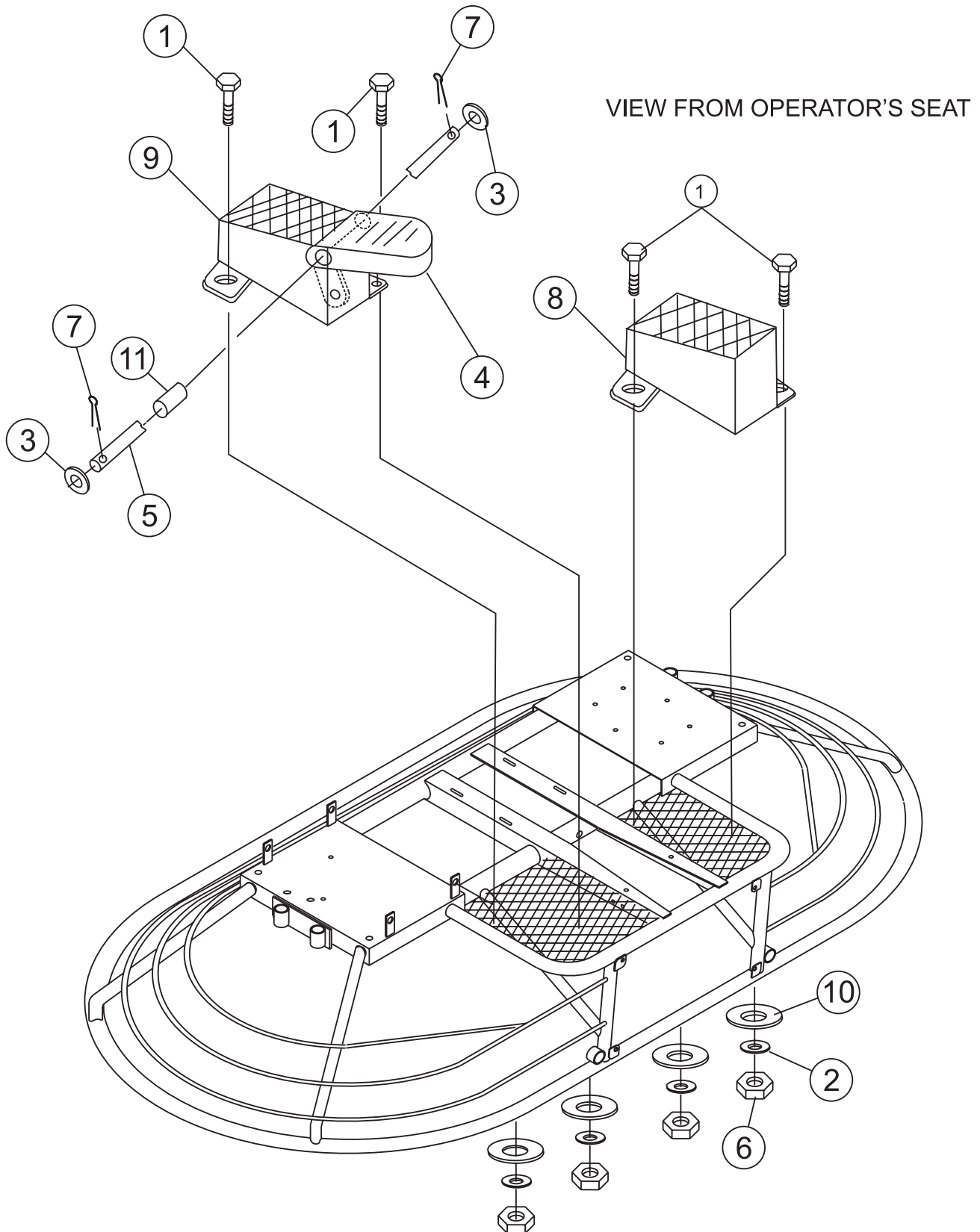
BRT RIDE-ON POWER TROWEL— RETARDANT SPRAY TANK ASSY.

RETARDANT SPRAY TANK ASSY.

<u>NO.</u>	<u>PART NO.</u>	<u>PART NAME</u>	<u>QTY.</u>	<u>REMARKS</u>
5	2765	SWITCH, RETARDANT SPRAY	1	
10	2108	TANK CAP	1	
11	2916	RETARDANT TANK	1	
12	2398	CLAMP	2	
13	2478	DRAIN COCK	1	
14	2399	U- BOLT	2	
15	2887	RIGHT MOUNTING BRACKET	1	
16	392292	SPRAY NOZZLE	1	
17	2873	MOUNTING BRACKET	1	
18	2898	RUBBER WASHER	1	
19	2886	LEFT MOUNTING BRACKET	1	
20	2912	90 DEGREE FITTING	1	
21	2914	HOSE	1	
22	10043	PUMP ASSYJ.	1	
23	2656	LOCKNUT 5/16- 24	6	
24	2926	STRAINER	1	
25	2918	HOSE CLAMP	4	
29	2913	LOWER HOSE	1	
30	10022	REDUCER	1	
31	2925	90 DEGREE ELBOW	1	
33	2930	HOSE CLAMP	2	
34	0131A	HHCS 1/4- 20 X 3/4"	2	
35	0948	FLAT WASHER 1/4"	2	
36	10024	LOCK NUT 1/4-20	2	

BRT RIDE-ON POWER TROWEL— FOOT PEDAL ASSY.

FOOT PEDALS ASSY.



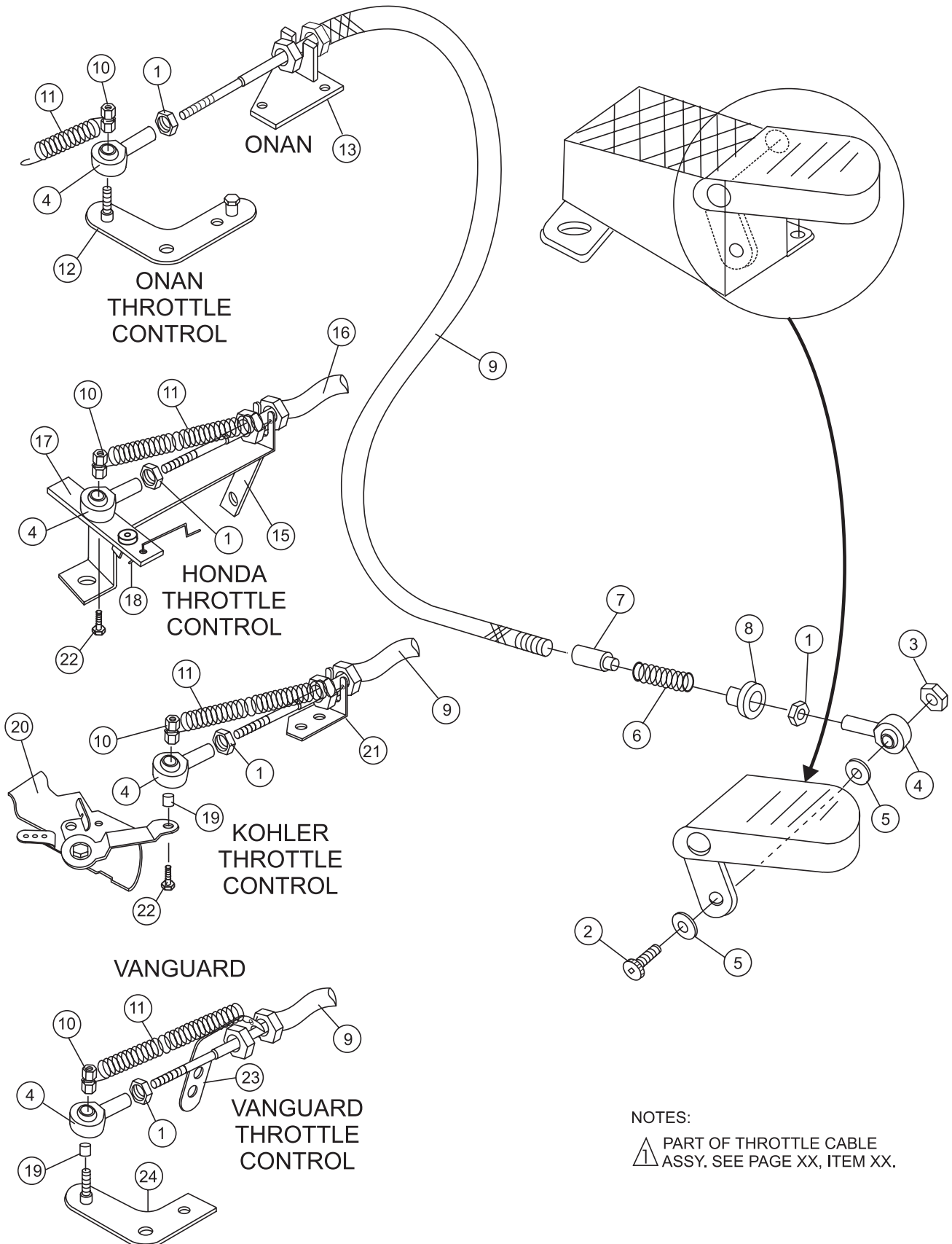
BRT RIDE-ON POWER TROWEL— FOOT PEDAL ASSY.

FOOT PEDALS ASSY.

<u>NO</u>	<u>PART NO</u>	<u>PART NAME</u>	<u>QTY.</u>	<u>REMARKS</u>
1	0202	SCREW, HHC 5/16-18X1	4	
2	0300B	WASHER, FLAT, 5/16 SAE	4	
3	10136	WASHER, FLAT, 3/8 SAE	2	
4	2086	PEDAL, ACCELERATOR	1	
5	2772	PIN, ACC MOUNT	1	
6	5283	NUT, NYLOC 5/16-18	4	
7	6014B	PIN, COTTER 3/32X1	2	
8	12985	LEFT SIDE FOOT REST	1	
9	12986	RIGHT SIDE FOOT REST	1	
10	3233	WASHER, FENDER, 1.5odX3/8id	4	
11	3083	SPACER	1	

BRT RIDE-ON POWER TROWEL—THROTTLE/FOOT PEDAL ASSY.

THROTTLE FOOT PEDAL ASSY.



BRT RIDE-ON POWER TROWEL—THROTTLE/FOOT PEDAL ASSY.

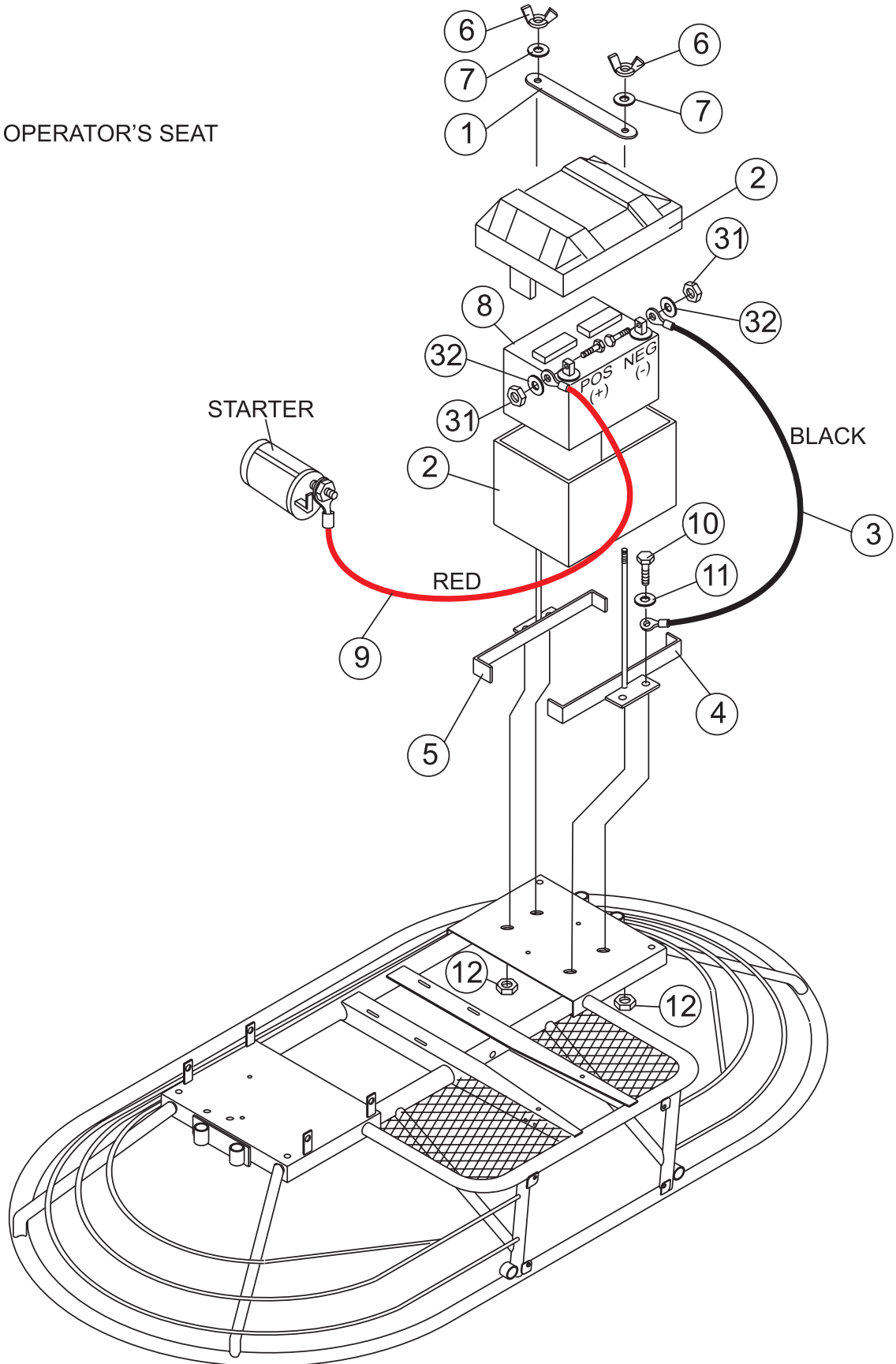
THROTTLE FOOT PEDAL ASSY.

<u>NO</u>	<u>PART NO</u>	<u>PART NAME</u>	<u>QTY.</u>	<u>REMARKS</u>
1	0937	NUT, HEX 10-32	2	ONAN, VANGUARD, HONDA, KOHLER
2	10018	SCREW, SHC 10-32X1 NO PLATE	1	ONAN, VANGUARD, HONDA, KOHLER
3	10019	NUT, NYLOC 10-32	1	ONAN, VANGUARD, HONDA, KOHLER
4	2153	ROD END, 10-32 FEMALE RH	2	ONAN, VANGUARD, HONDA, KOHLER
5	2203	WASHER, FLAT, #10	2	ONAN, VANGUARD, HONDA, KOHLER
6	2753	SPRING, THROTTLE RETURN, LOWER	1	ONAN, VANGUARD, HONDA, KOHLER
7	2754	ADAPTOR, THROTTLE RET. SPRING LG.	1	ONAN, VANGUARD, HONDA, KOHLER
8	2755	ADAPTOR, THROTTLE RET. SPRING SHORT	1	ONAN, VANGUARD, HONDA, KOHLER
9	2124	ENGINE THROTTLE CABLE	1	ONAN, VANGUARD, KOHLER
10	2194	THROTTLE NUT	1	ONAN, VANGUARD, HONDA, KOHLER
11	2192	THROTTLE SPRING	1	ONAN, VANGUARD, HONDA, KOHLER
12	2694	THROTTLE CONTROL ASSY.	1	ONAN ONLY
13	2628	THROTTLE CABLE MTNG. BRACKET	1	ONAN ONLY
15	10964	THROTTLE CABLE MTNG. BRACKET	1	HONDA ONLY
16	11771	ENGINE THROTTLE CABLE	1	HONDA ONLY
17	10954	THROTTLE LEVER	1	HONDA ONLY
18	10955	THROTTLE WIRE	1	HONDA ONLY
19	2190	SPACER	1	VANGUARD, KOHLER
20	2409013	THROTTLE CONTROL ASSY.	1	KOHLER ONLY
21	2884	THROTTLE CABLE MTNG. BRACKET	1	KOHLER ONLY
22	10018	SHCS 10-32X1"	1	HONDA, KOHLER
23	2162	THROTTLE CABLE MTNG. BRACKET	1	VANGUARD ONLY
24	691028	THROTTLE CONTROL ASSY.	1	VANGUARD ONLY

BRT RIDE-ON POWER TROWEL— BATTERY ASSY.

BATTERY ASSY.

VIEW FROM OPERATOR'S SEAT



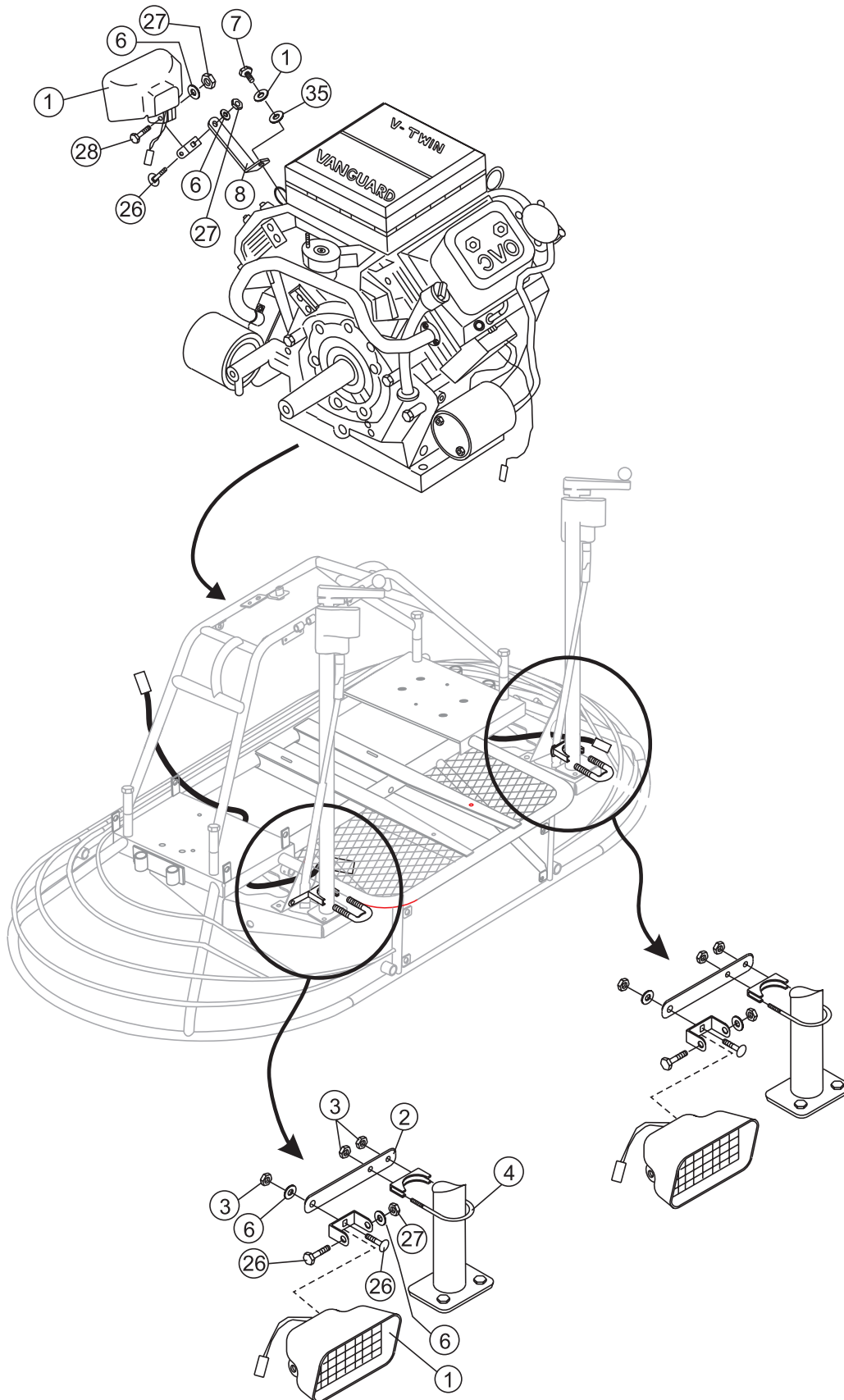
BRT RIDE-ON POWER TROWEL— BATTERY ASSY.

BATTERY ASSY.

<u>NO.</u>	<u>PART NO.</u>	<u>PART NAME</u>	<u>QTY.</u>	<u>REMARKS</u>
1	2482	BATTERY STRAP	1	WITH BATTERY BOX
1	2222	BATTERY STRAP	1	WITHOUT BATTERY BOX
2	2449	BATTERY BOX	1	
3	1597	NEGATIVE BATTERY CABLE	1	BLACK
4	2484	FRONT BATTERY BRACKET	1	WITH BATTERY BOX
4	2184	FRONT BATTERY BRACKET	1	WITHOUT BATTERY BOX
5	2483	REAR BATTERY BRACKET	1	WITH BATTERY BOX
5	2183	REAR BATTERY BRACKET	1	WITHOUT BATTERY BOX
6	2509	WING NUT 1/4- 20	2	
7	10031	EXT. SHKP WASHER 1/4"	2	
8	4671	BATTERY 12V (SHIPPED DRY)	1	GROUP U- 1 PURCHASE FROM LOCAL INTERSTATE DEALER
9	2542	POSITIVE BATTERY CABLE	1	RED
10	0655	HHCS 5/16-18 X 3/4"	4	
11	0300B	FLAT WASHER 5/16"	4	
31	0949	HEX NUT 1/4-20	2	
32	0181B	WASHER, LOCK	2	

BRT RIDE-ON POWER TROWEL— LIGHTS ASSY.

LIGHTS ASSY.



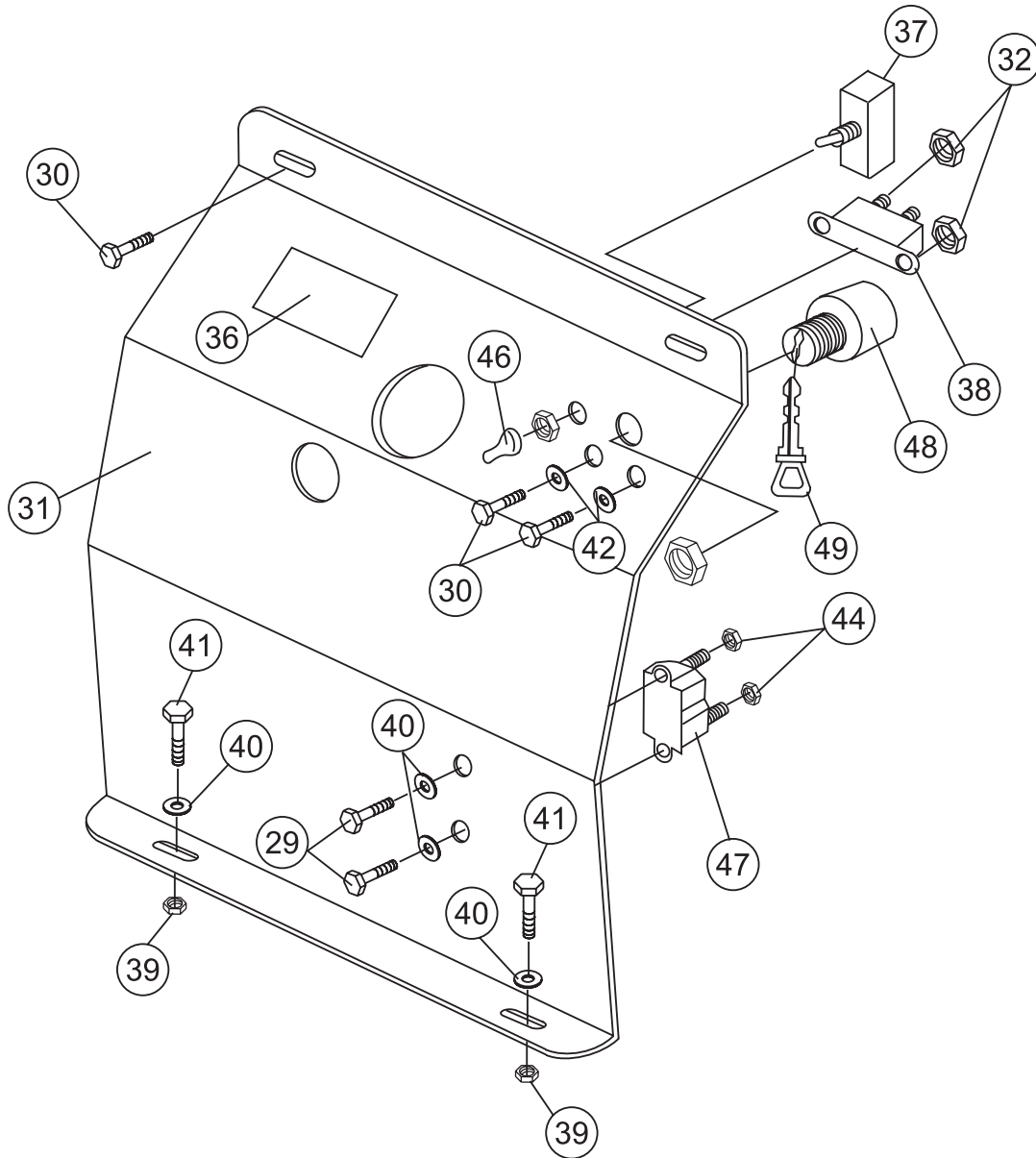
BRT RIDE-ON POWER TROWEL— LIGHTS ASSY.

LIGHTS ASSY.

<u>NO.</u>	<u>PART NO.</u>	<u>PART NAME</u>	<u>QTY.</u>	<u>REMARKS</u>
1	2896	LIGHT & MOUNTING HARDWARE	3	
2	2531	FRONT MOUNTING BRACKET	2	
3	5283	LOCK NUT 5/16- 18	8	
4	2534	CLAMP ASSY.	2	
6	0161C	LOCK WASHER 5/16"	7	VANGUARD
6	0181B	LOCK WASHER 1/4"	1	KOHLER ONLY
7	2299	HHCSM 8- 1.25 X 15MM	1	VANGUARD
7	10486	HHCSM 6- 1 X 40MM	1	KOHLER ONLY
8	2430	REAR MOUNTING BRACKET	1	
26	0655	HHCS 5/16- 18 X 3/4"	3	
27	0161D	HEX NUT 5/16- 18	6	
28	0300A	HHCS 5/16- 18 X 2"	3	
35	0948	FLAT WASHER 1/4"	2	KOHLER ONLY

BRT RIDE-ON POWER TROWEL— FRONT PANEL ASSY. (VANGUARD)

FRONT PANEL ASSY. (VANGUARD)



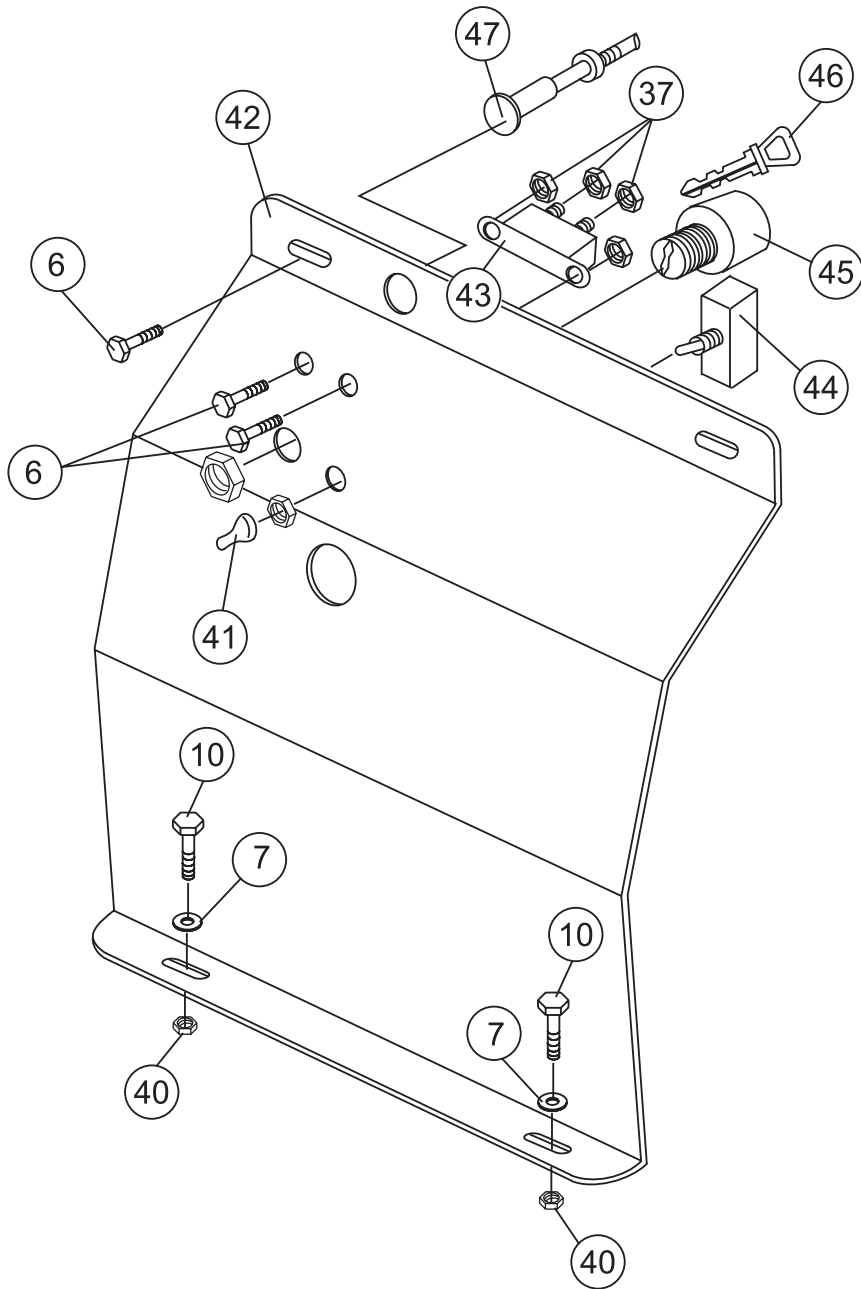
BRT RIDE-ON POWER TROWEL— FRONT PANEL ASSY. (VANGUARD)

FRONT PANEL ASSY. (VANGUARD)

<u>NO.</u>	<u>PART NO.</u>	<u>PART NAME</u>	<u>QTY.</u>	<u>REMARKS</u>
29	0131A	HHCS 1/4- 20 X 3/4"	2	
30	5065B	RHMS 10- 32 X 1/2"	4	
31	2752	FRONT HEAT SHIELD	1	
32	10019	LOCK NUT 10- 32	4	
36	2814	DECAL	1	
37	4682	TOGGLE SWITCH.....	1	OPTIONAL
38	2673	CIRCUIT BREAKER	1	
39	10024	LOCK NUT 1/4- 20	4	
40	0948	FLAT WASHER 1/4"	4	
41	4514	HHCS 1/4- 20 X 5/8"	2	
42	2203	FLAT WASHER #10	2	
44	0949	HEX NUT 1/4"	2	
46	8381	TOGGLE BOOT	1	
47	807829	VOLTAGE REGULATOR	1	
48	10958	IGNITION SWITCH	1	
49	11078	IGNITION KEY	1	

BRT RIDE-ON POWER TROWEL— FRONT PANEL ASSY. (ONAN)

FRONT PANEL ASSY. (ONAN)



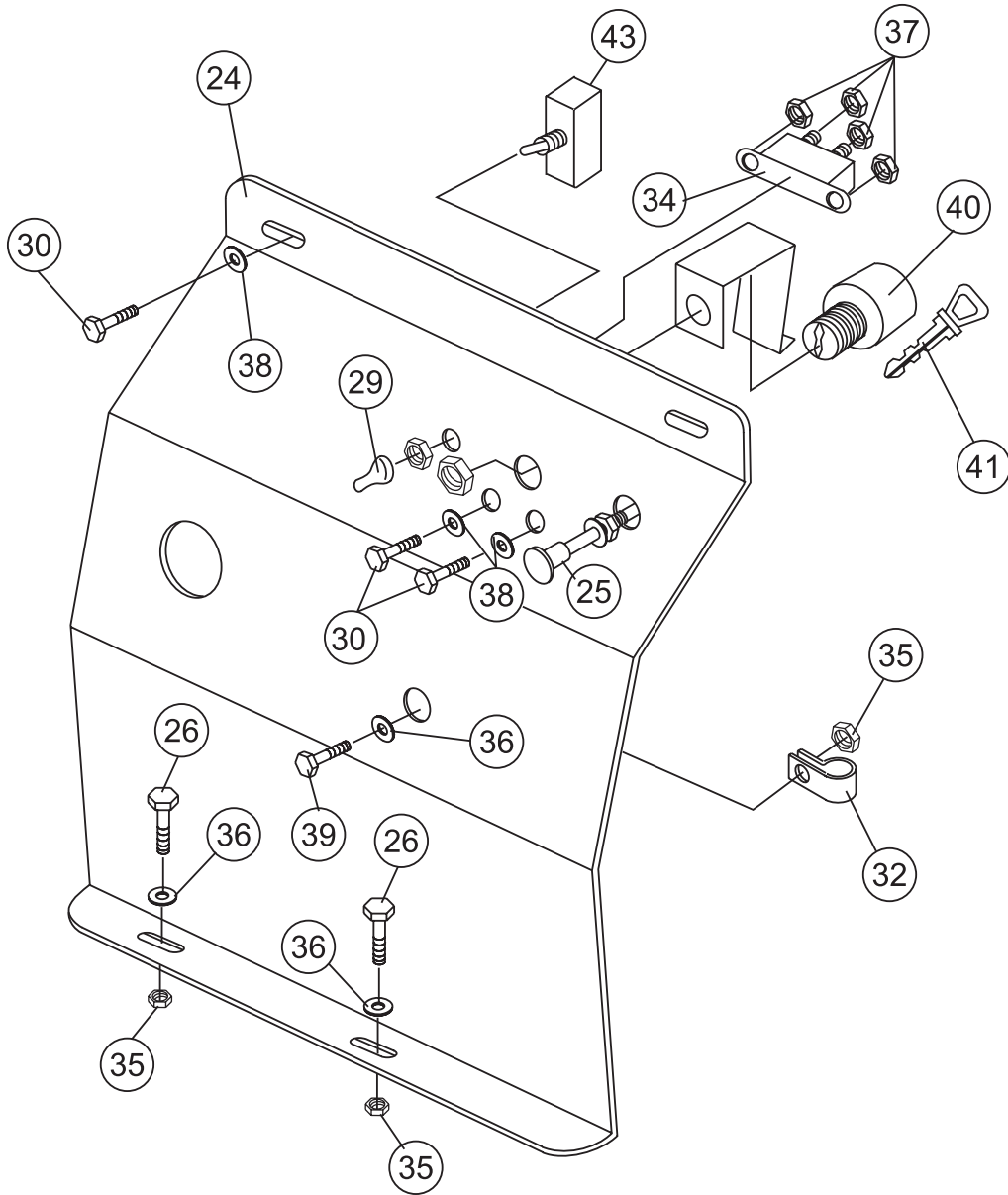
BRT RIDE-ON POWER TROWEL— FRONT PANEL ASSY. (ONAN)

FRONT PANEL ASSY. (ONAN)

<u>NO.</u>	<u>PART NO.</u>	<u>PART NAME</u>	<u>QTY.</u>	<u>REMARKS</u>
6	5065B	RHMS 10- 32 X 1/2"	5	
7	0948	FLAT WASHER 1/4"	5	
37	10019	LOCK NUT 10- 32	5	
40	10024	LOCK NUT 1/4- 20	2	
41	8381	TOGGLE BOOT	1	
42	2703	CONTROL PANEL	1	
43	2673	CIRCUIT BREAKER	1	
44	4682	LIGHT SWITCH	1 OPTIONAL
45	10958	IGNITION SWITCH	1	
46	11078	IGNITION KEY	1	
47	1530606	THROTTLE CABLE	1	

BRT RIDE-ON POWER TROWEL— FRONT PANEL ASSY. (KOHLER)

FRONT PANEL ASSY. (KOHLER)



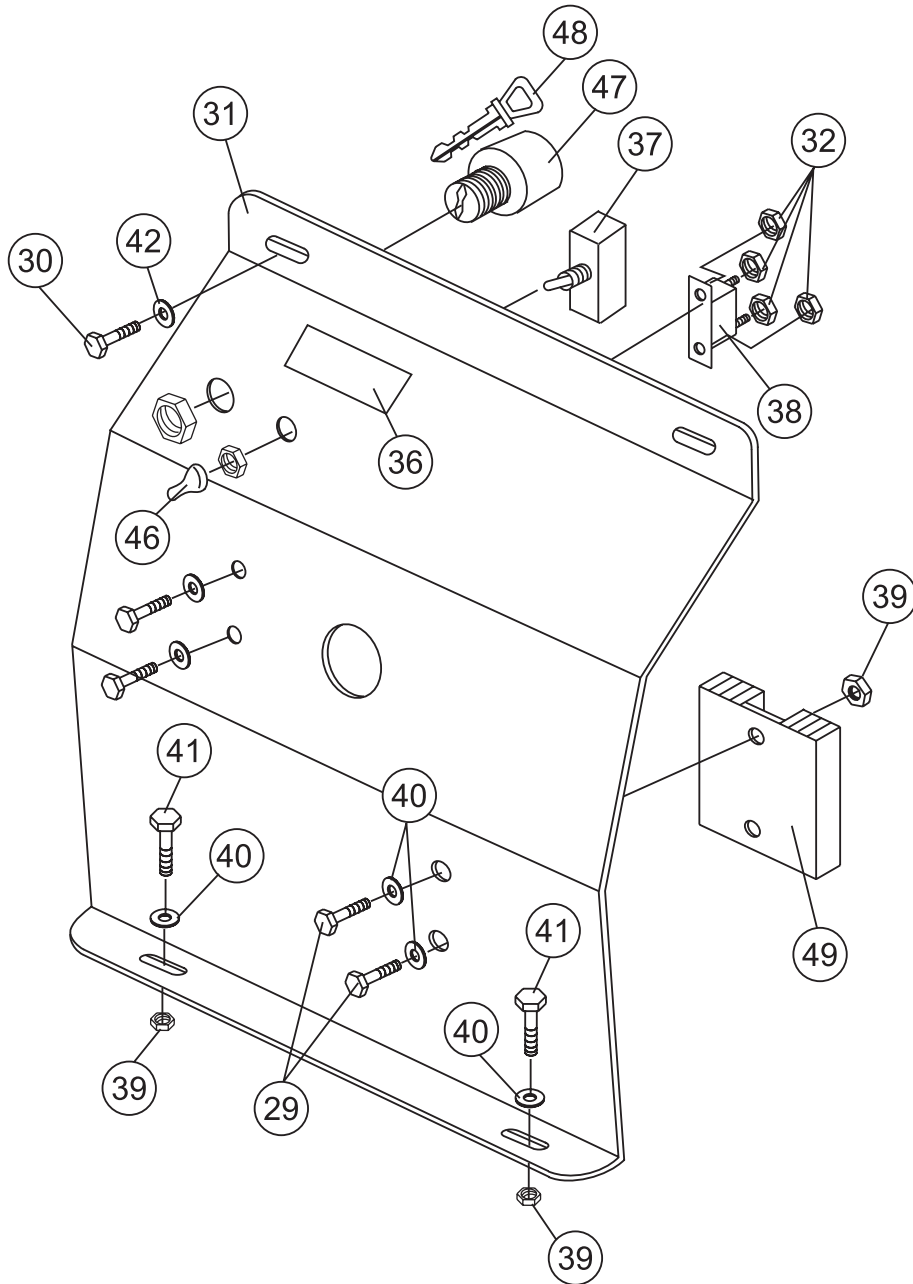
BRT RIDE-ON POWER TROWEL— FRONT PANEL ASSY. (KOHLER)

FRONT PANEL ASSY. (KOHLER)

<u>NO.</u>	<u>PART NO.</u>	<u>PART NAME</u>	<u>QTY.</u>	<u>REMARKS</u>
24	10471	CONTROL PANEL	1	
25	2580	CHOKE CABLE	2	
26	4514	HHCS 1/4- 20 X 5/8"	2	
29	8381	BOOT	1	
30	5065B	RHMS 10- 32 X 1/2"	6	
34	2673	CIRCUIT BREAKER	1	
35	10024	LOCK NUT 1/4- 20	3	
36	0948	FLAT WASHER 1/4"	4	
37	10019	LOCK NUT 10- 32	6	
38	2203	FLAT WASHER #10	4	
39	0131A	HHCS 1/4- 20 X 3/4"	2	
40	10958	IGNITION SWITCH	1	
41	11078	IGNITION KEY	1	
43	4682	SWITCH	1	

BRT RIDE-ON POWER TROWEL— FRONT PANEL ASSY. (HONDA)

FRONT PANEL ASSY. (HONDA)



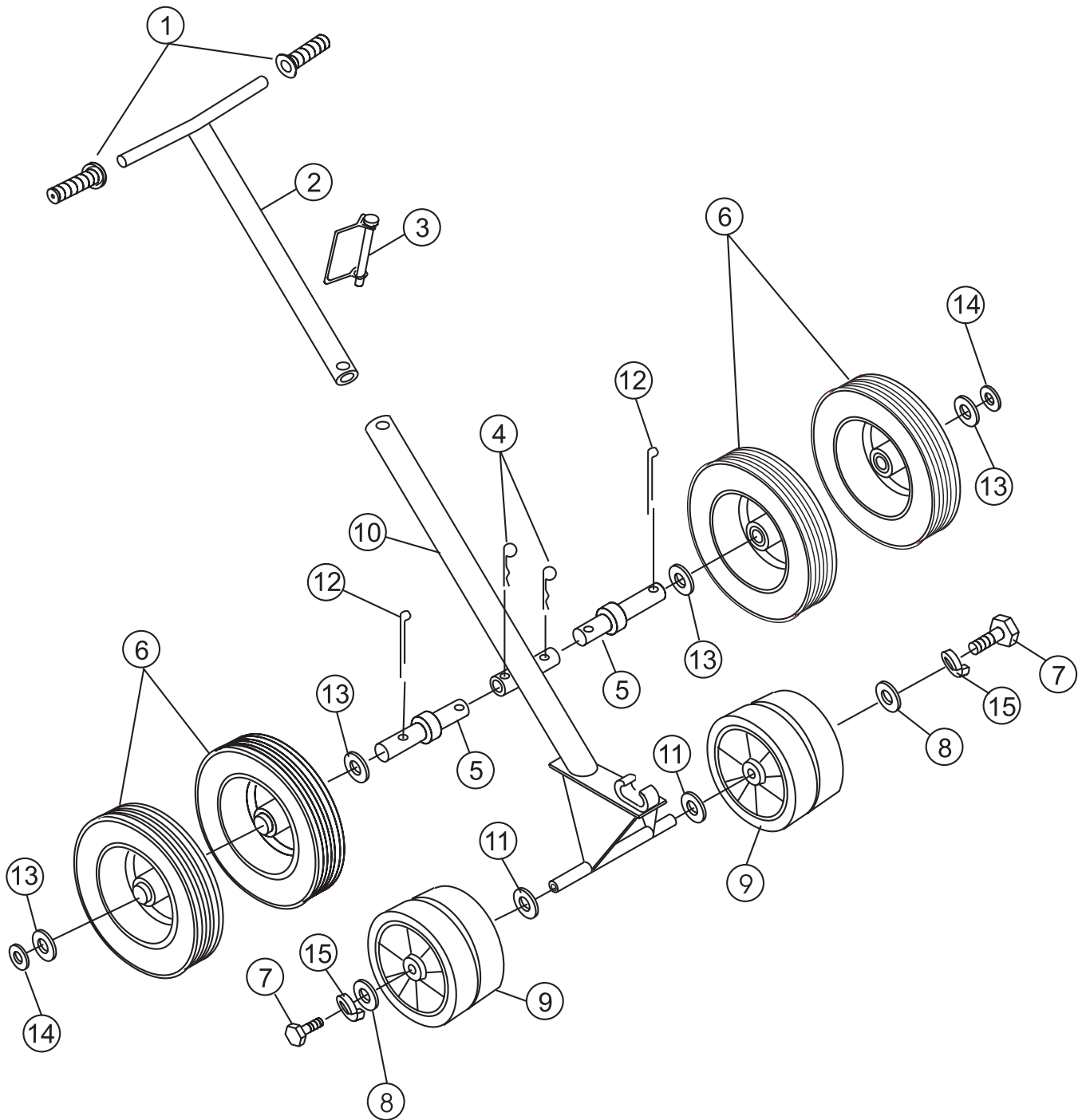
BRT RIDE-ON POWER TROWEL— FRONT PANEL ASSY. (HONDA)

FRONT PANEL ASSY. (HONDA)

<u>NO.</u>	<u>PART NO.</u>	<u>PART NAME</u>	<u>QTY.</u>	<u>REMARKS</u>
30	5065B	RHMS10-32 X 1/2"	6	
31	10927	CONTROL PANEL	1	
32	10019	LOCK NUT 10- 32	8	
36	2814	CONTROL PANEL DECAL	1	
37	4682	LIGHT SWITCH	1	OPTIONAL
38	2673	CIRCUIT BREAKER	2	
39	10024	LOCK NUT 1/4- 20	4	
40	0948	FLAT WASHER 1/4"	6	
41	4514	HHCS 1/4- 20 X 5/8"	2	
42	2203	FLAT WASHER #10	8	
46	8381	TOGGLE BOOT	1	
47	10958	IGNITION SWITCH	1	
48	11078	IGNITION KEY	1	
49	31620Z65003	RECTIFIER		

BRT RIDE-ON POWER TROWEL— E-Z MOVER & LIFT HANDLE ASSY.

E-Z MOVER (EMR2) AND LIFT HANDLE



BRT RIDE-ON POWER TROWEL— E-Z MOVER & LIFT HANDLE ASSY.

E-Z MOVER (EMR2) AND LIFT HANDLE

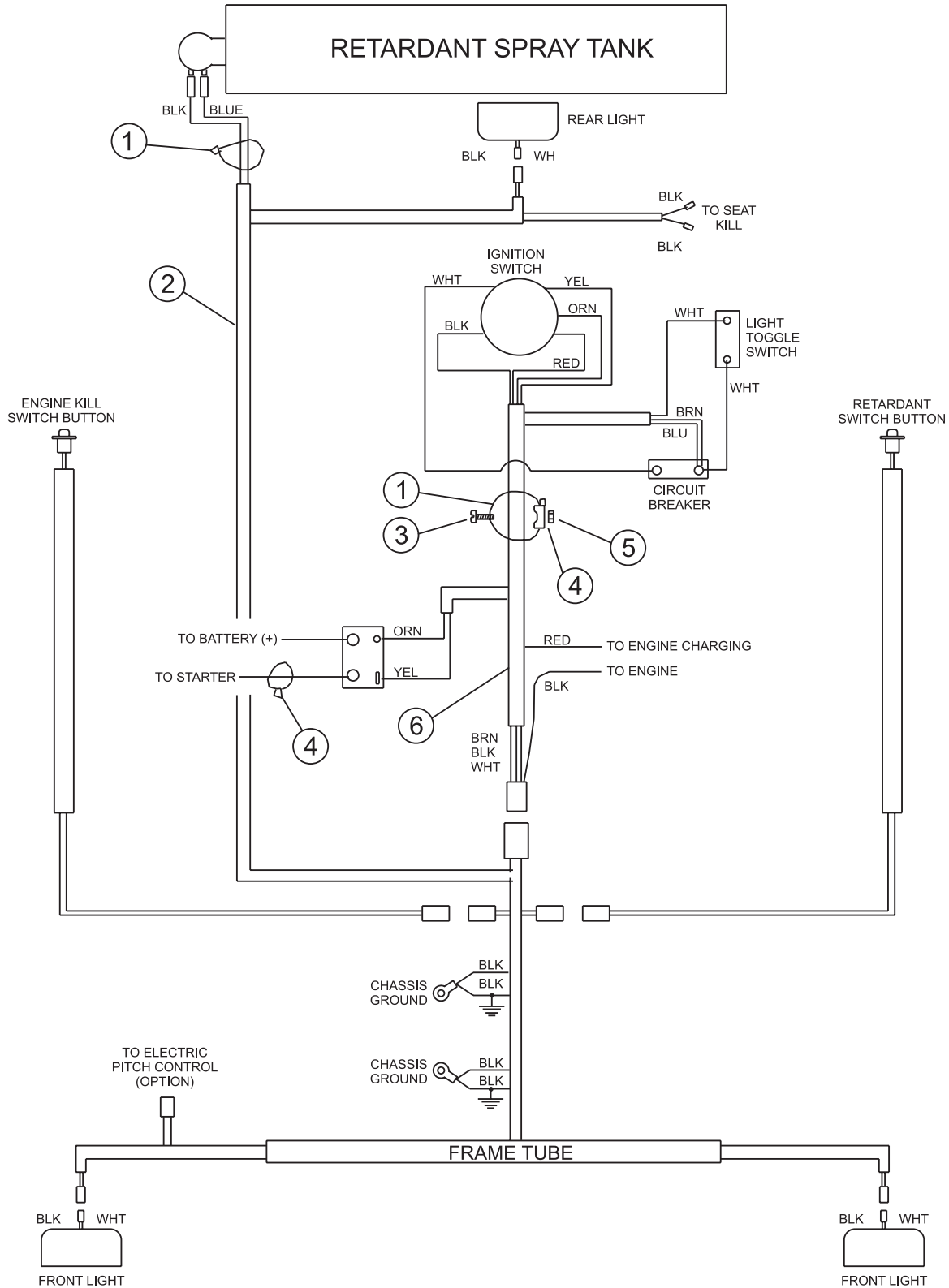
<u>NO</u>	<u>PART NO</u>	<u>PART NAME</u>	<u>QTY.</u>	<u>REMARKS</u>
1	0189	HAND GRIP	2	
2	2336	UPPER HANDLE	1	
3	1869	SNAP PIN	1	
4	7170	CLIP	4	
5	11684	DOLLY AXLE	4	
6	10440	WHEEL & TIRE	4	
7	0655	SCREW, HHCS 5/16-18 x 3/4"	2	
8	0300B	FLAT WASHER 5/16"	2	
9	2364	WHEEL	2	
10	10445	FRAME	1	
11	4684	FLAT WASHER 5/8"	2	
12	0183	COTTER PIN	4	
13	10446	FLAT WASHER 3/4"	8	
14	8151	FLAT WASHER 3/4" SAE	8	
15	0161C	LOCK WASHER 5/16"	2	

EMR-2 E-Z MOVER ASSY — PURCHASE THROUGH MQ UNIT SALES DEPT.

BRT RIDE-ON POWER TROWEL—WIRING DIAGRAM ASSY.

WIRING DIAGRAM ASSY.

VANGUARD, ONAN AND KOHLER



BRT RIDE-ON POWER TROWEL—WIRING DIAGRAM ASSY.

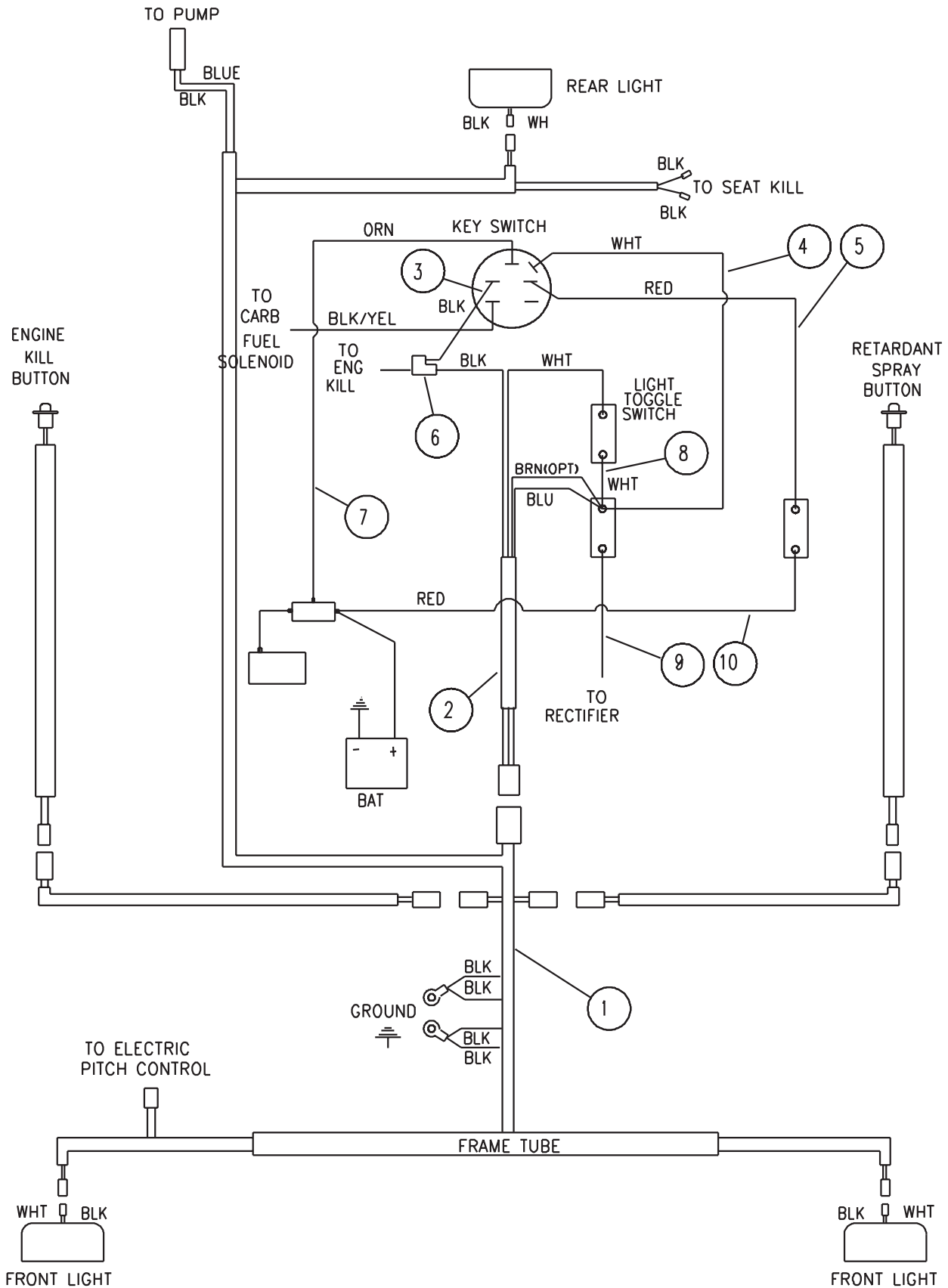
WIRING DIAGRAM ASSY.

VANGUARD, ONAN AND KOHLER

<u>NO.</u>	<u>PART NO.</u>	<u>PART NAME</u>	<u>QTY.</u>	<u>REMARKS</u>
1	1662	WIRE TIES	14	
2	2566	WIRING HARNESS ASSY.	1	TO PJ29574
2	2775	WIRING HARNESS ASSY.	1	FROM PJ29575
3	5065B	RHMS 10- 32 X 1"	2	
4	2548	WIRE CLAMP	2	
5	10019	HEX NUT 10- 32	2	
6	2776	ENGINE HARNESS	1	VANGUARD
6	2768	ENGINE HARNESS	1	ONAN
6	2945	ENGINE HARNESS	1	KOHLER

BRT RIDE-ON POWER TROWEL— HONDA WIRING DIAGRAM ASSY.

HONDA WIRING DIAGRAM ASSY.



BRT RIDE-ON POWER TROWEL— HONDA WIRING DIAGRAM ASSY.

HONDA WIRING DIAGRAM ASSY.

<u>NO.</u>	<u>PART NO.</u>	<u>PART NAME</u>	<u>QTY.</u>	<u>REMARKS</u>
1	2775	MAIN WIRING HARNESS ASSY.	1	
2	2945	ENGINE HARNESS	1	
3	10985	KILL WIRE	1	
4	10961	CHARGING JUMPER WIRE	1	
5	10982	BATTERY JUMPER WIRE	1	
6	1475	WIRE SPLICE	1	
7	10983	SOLENOID WIRE	1	
8	2796	LIGHT SWITCH WIRE	1	
9	10979	CHARGE WIRE	1	
10	10940	BATTERY HOT WIRE	1	