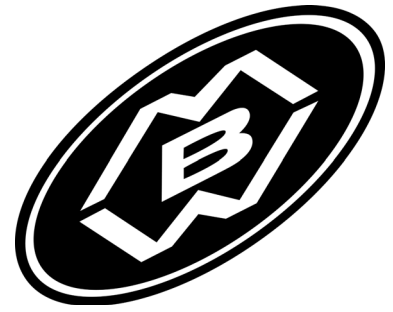


OPERATOR'S SAFETY AND SERVICE MANUAL



AT73 AT84

This manual covers the following serial numbers and higher for each model listed:

ATS73	4070001
ATP73	4070001
ATS84	4080001
ATP84	4080001



SKID-STEER ROLLER ATTACHMENTS

MBW, Inc.
250 Hartford Rd • PO Box 440
Slinger, WI 53086-0440
Phone: (262) 644-5234
Fax: (262) 644-5169
Email: mbw@mbw.com
Website: www.mbw.com

MBW Europe Ltd.
Units 2 & 3 Cochrane Street
Bolton BL3 6BN, England
Phone: 44 (0) 01204 387784
Fax: 44 (0) 01204 387797
Email: saleseurope@mbw.com
Website: www.mbw europe.com

L17993 / 7/20.M
©MBW, Inc. 2020
Printed in the USA

Hydraulic Requirements

PRESSURE: 1500-3000 psi
(103-207 bar)

FLOW: 10-50 gpm
(38-190 l/m)

← Return

← Pressure

14435

CAUTION

HEAVY ATTACHMENT

Overloading skid loader could cause loader to pitch or tip forward.

Check lifting capacity of skid loader before hooking onto attachment.

Do not lift attachment over 12" (30cm) above ground level.

READ OPERATORS MANUAL BEFORE USING ATTACHMENT

14434

WARNING

Operating, servicing and maintaining this equipment can expose you to chemicals, including engine exhaust, phthalates and lead, which are known to the state of California to cause cancer and birth defects or other reproductive harm. Avoid breathing engine exhaust. Do not operate equipment in confined areas. For more information go to www.P65Warnings.ca.gov

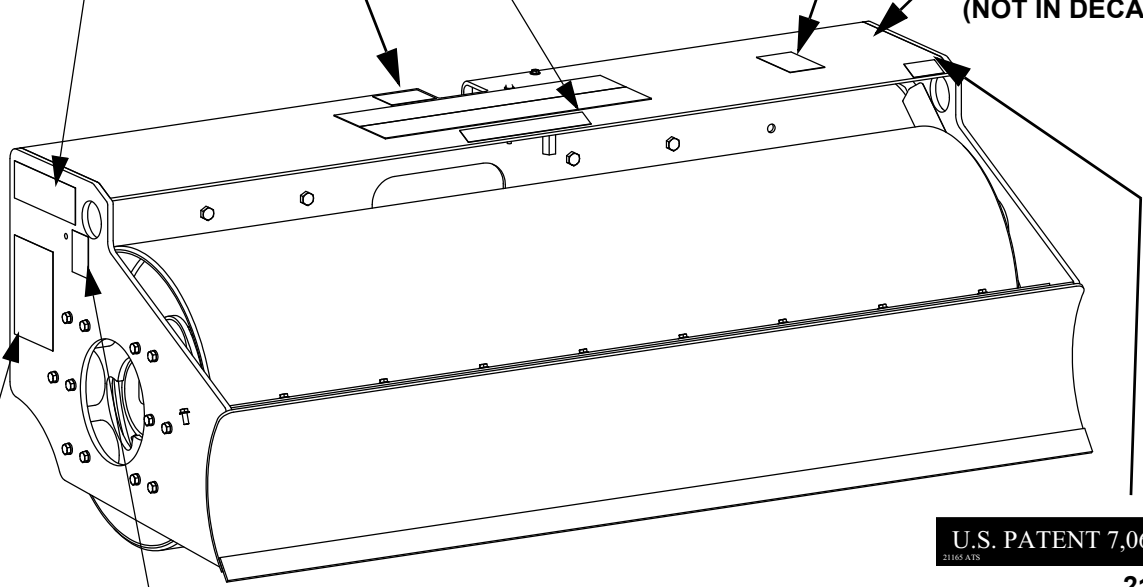
21820

ATS84

17906 - ATS73
17907 - ATP73
17908 - ATS84
17909 - ATP84
(NOT IN DECAL SET)

M-B-W INC.

02355
(NOT IN DECAL SET)




U.S. PATENT 7,066,681

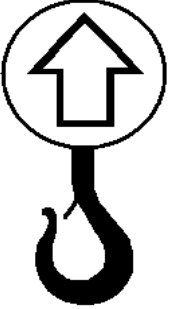
21165



21102
(NOT IN DECAL SET)

WARNING





Machine may fall and cause serious damage or injury if lifted improperly. Lift only by holes in frame above.

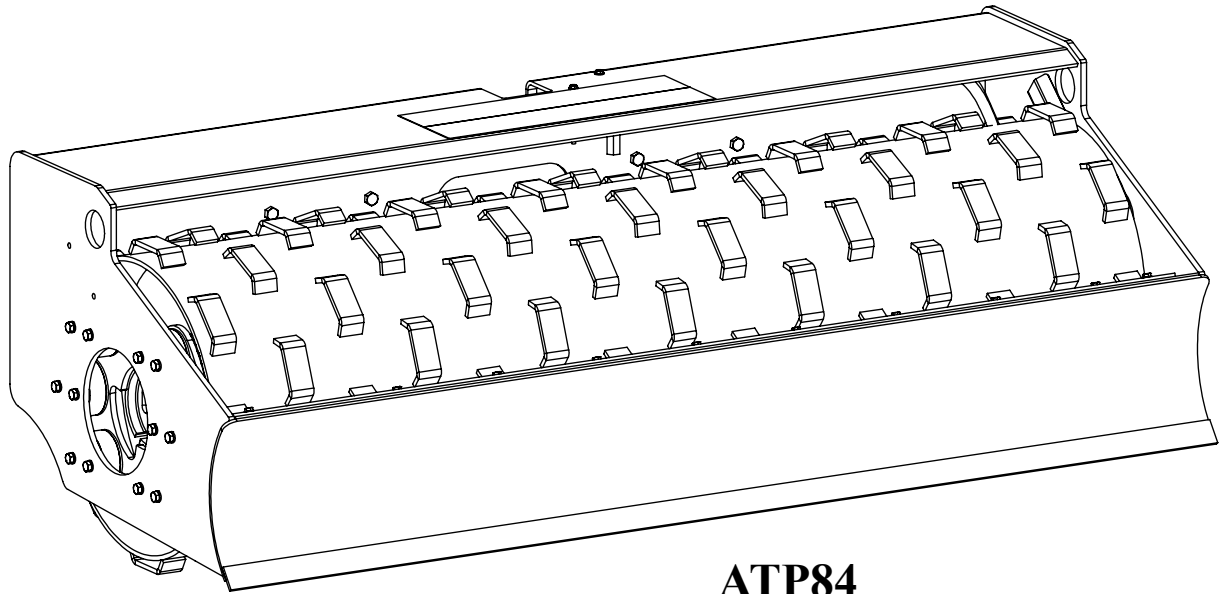
MACHINE WEIGHT
ATS84- 2260 lbs (1025 kg)
ATP84- 2410 lbs (1093 kg)

18075

18075-AT84
18074-AT74 (Not Shown)

Safety Decals (Decal Set #14436)

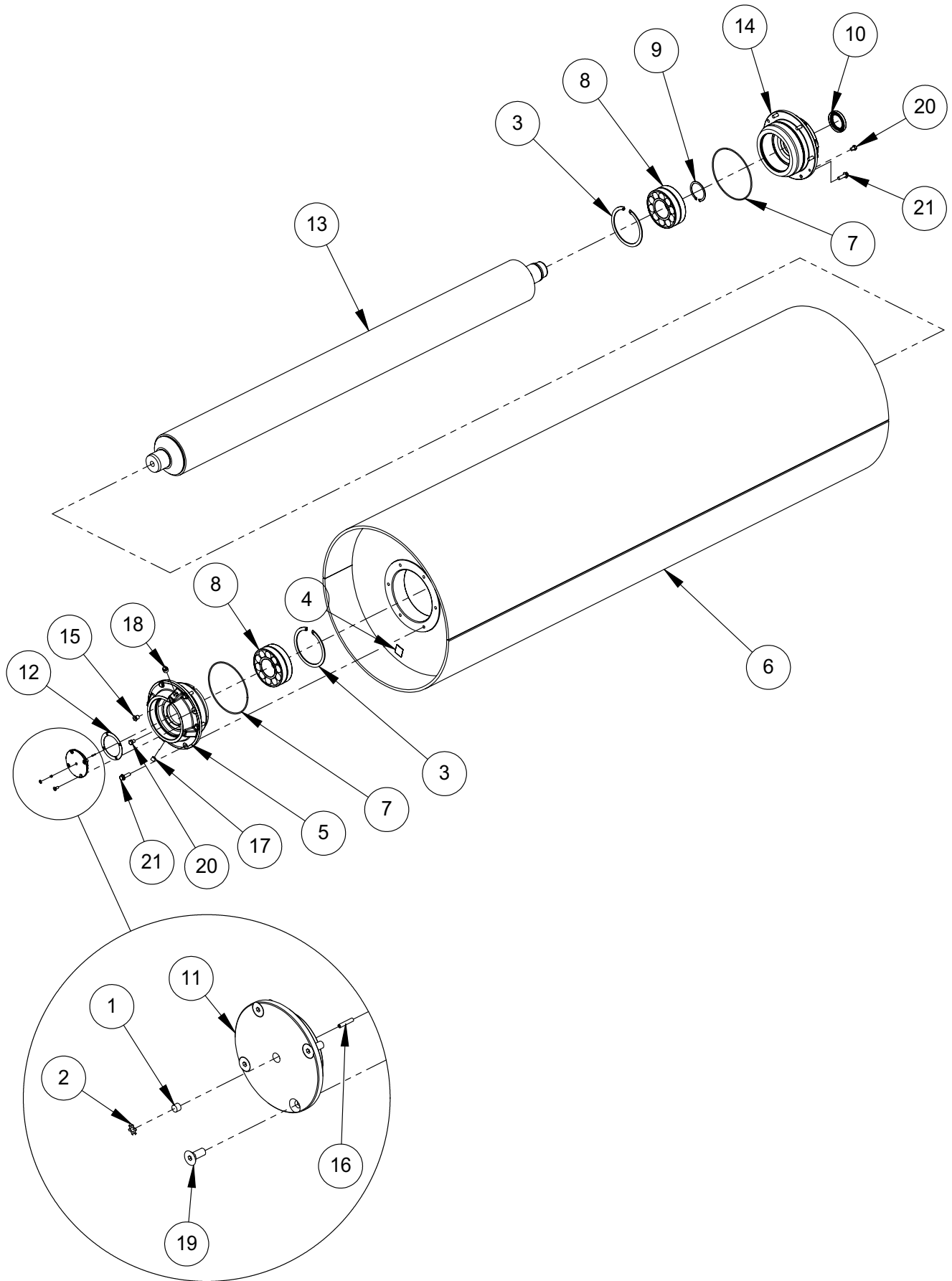
SPECIFICATIONS



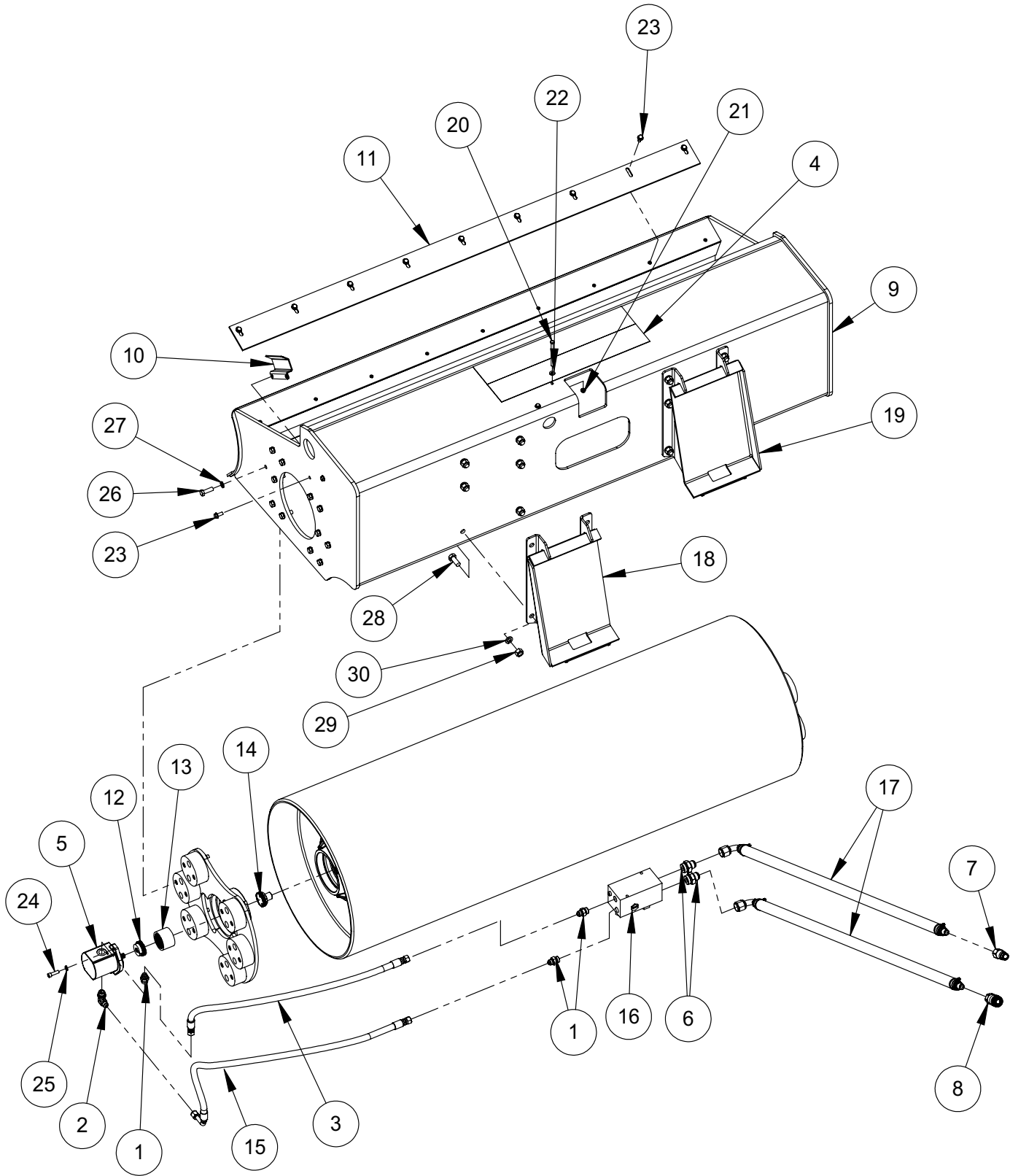
ATP84

	ATS73	ATP73	ATS84	ATP84
Centrifugal Force	8850 lbs (4014 kg)		9765 lbs (4429 kg)	
Exciter Speed	3000 rpm		3000 rpm	
Dynamic Linear Force	121 lb/in (21.7 kg/cm)		116 lb/in (20.8 kg/cm)	
Amplitude	-		-	
Length	43.3 in (110 cm)		43.3 in (110 cm)	
Height	29 in (74 cm)	30 in (76 cm)	29 in (74 cm)	30 in (76 cm)
Weight	1940 lbs (880kg)	2080 lbs (943 kg)	2260 lbs (1025 kg)	2410 lbs (1093 kg)
Width, Working	73 in (185 cm)		84 in (213 cm)	
Width, Overall	78 in (198 cm)		89 in (226 cm)	
Sound Pressure Level	85 dBa		85 dBa	
Pressure Requirement	1500 - 3000 psi (10.3 - 20.7 MPa)		1500 - 3000 psi (10.3 - 20.7 MPa)	
Flow Rate Requirement	10 - 50 GPM (38 - 189 LPM)		10 - 50 GPM (38 - 189 LPM)	
Connection	1/2" Flat-face Quick Coupling		1/2" Flat-face Quick Coupling	

Specifications subject to change without notice

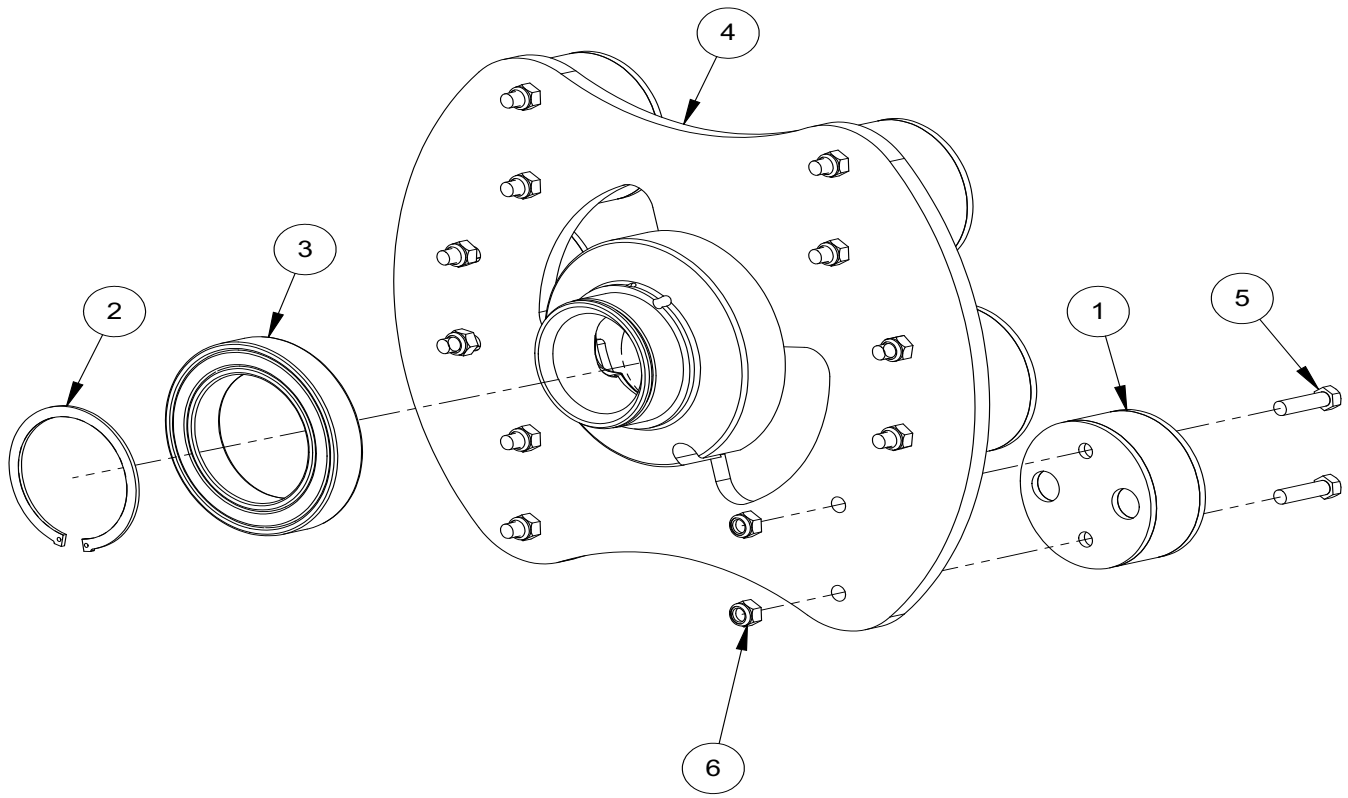


Drum Assembly



Main Assembly

ITEM	PART NO.	DESCRIPTION	ATP73	ATS73	ATP84	ATS84
1.	08213	FITTING, STRAIGHT	3	3	3	3
2.	08730	FITTING, ELBOW	1	1	1	1
3.	13166	HOSE, HYDRAULIC 1/2" X 47.00"	1	1	0	0
	17980	HOSE, HYDRAULIC 1/2" X 55.00"	0	0	1	1
4.	13984	SHEET, SAFETY WALK 24"	2	2	2	2
5.	14267	MOTOR, HYDRAULIC	1	1	1	1
6.	14747	FITTING, STRAIGHT	2	2	2	2
7.	17842	FLAT FACE COUPLING, MALE 1/2"	1	1	1	1
8.	17843	FLAT FACE COUPLING, FEMALE 1/2"	1	1	1	1
9.	17850	FRAME, AT73	1	1	0	0
10.	17851	FRAME, AT84	0	0	1	1
	17856	GUARD, HOSE	1	1	1	1
11.	17924	SCRAPER BAR ATP73 (PADDED)	1	0	0	0
	17894	SCRAPER BAR ATS73 (SMOOTH)	0	1	0	0
	17925	SCRAPER BAR ATP84 (PADDED)	0	0	1	0
	17895	SCRAPER BAR ATS84 (SMOOTH)	0	0	0	1
12.	17975	COUPLER, GEAR, 9T SPLINE	1	1	1	1
13.	17976	SLEEVE, COUPLER, GEAR	1	1	1	1
14.	17977	COUPLER, GEAR, 1"-12 THREAD	1	1	1	1
15.	17981	HOSE, HYDRAULIC 1/2" X 53.5"	1	1	0	0
16.	17979	HOSE, HYDRAULIC 1/2" X 59.00"	0	0	1	1
	18107	VALVE COMBINATION (.181 ORIFICE)	1	1	1	1
17.	18127	HOSE, HYDRAULIC 3/4" X 64.00"	2	2	2	2
18.	18656	BRACKET, LEFT ¹	1	1	1	1
19.	18657	BRACKET, RIGHT ¹	1	1	1	1
20.	F051836HCS	HEX HEAD CAP SCREW, 5/16"-18 X 4-1/2"	2	2	2	2
21.	F0518FN	NUT, FLANGE 5/16"-18	2	2	2	2
22.	F05SW	WASHER, 5/16" X 3/4" X 15GA	2	2	2	2
23.	F061607FWS	FLANGE HEAD CAP SCREW, 3/8"-16 X 7/8"	11	11	11	11
24.	F061610SCS	SOCKET HEAD CAP SCREW, 3/8"-16 X 1-1/4"	2	2	2	2
25.	F06LW	LOCKWASHER, 3/8"	2	2	2	2
26.	F081312HCS	HEX HEAD CAP SCREW, 1/2"-13 X 1-1/2"	24	24	24	24
27.	F08LW	LOCKWASHER, 1/2"	24	24	24	24
28.	F101112HCS	HEX HEAD CAP SCREW, 5/8"-11 X 1-1/2" ¹	8	8	8	8
29.	F1011HN	NUT, HEX 5/8"-11 ¹	8	8	8	8
30.	F10LW	LOCKWASHER, 5/8" ¹	8	8	8	8
	17994	NOT SHOWN SEAL KIT FOR 14267 HYDRAULIC MOTOR	1	1	1	1
¹ These parts only used for AT73 rollers SN 4070345 and AT84 rollers SN 4060158 and below						



Spider Assembly

