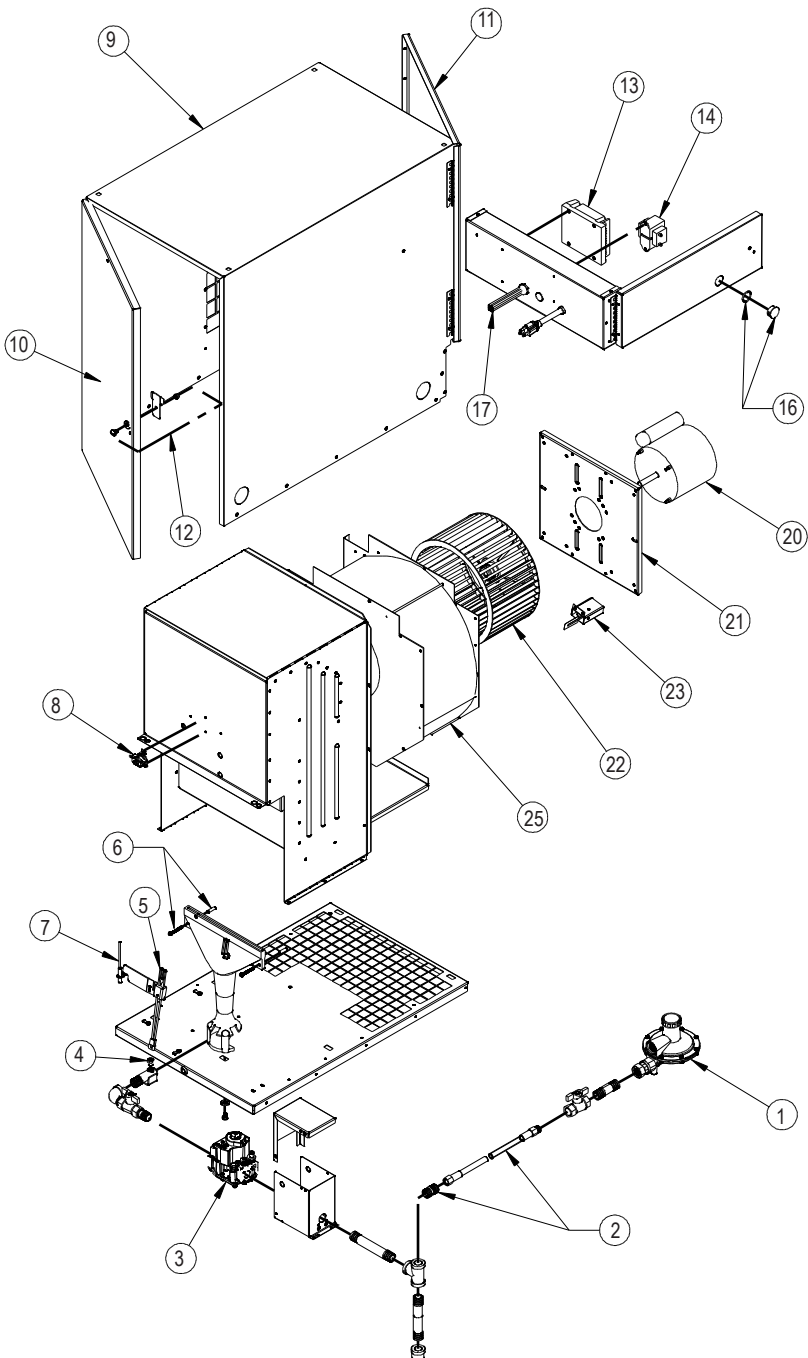


Service Parts Identification Schematic



www.lbwhite.com

Item	Description	60,000	100,000	250,000	325,000	
1	Regulator, LP Gas 2nd. stage, vent over side*	500-06665				
	Regulator, LP Gas 2nd stage vent over outlet*	500-06553				
	Regulator, Natural Gas*	500-07087		500-24414	500-25108	
2	Hose, Universal, 1/2 in. X 10 ft., with adapters *	500-23160				
3	Valve, Gas control,	LP gas	522076		522189	
		Natural gas	522078		522190	
4	Orifice, burner	LP gas	570225	570281	570053	570161
		Natural gas	570226	570282	570054	570162
5	Igniter and flame sensor assembly (AD)	573165	570021	500-22473	--	
	Igniter, hot surface (AW)	573659				
6	Burner mounting hardware	570211				
7	Flame sensor (AW)	572412		520139	570006	
8	High limit switch	503933		505566		
9	Case assembly, with doors and latches (AW)	570516	570572	570310	570393	
	(AD)	573161	573164	570789	570393	
10	Door, burner end (AW)	570039	570119	573475	570499	
	(AD)	573156		573592	--	
11	Door, motor end (AW)	570298		570135	570252	
	(AD)	573147		573594	--	
12	Latch kit	570228				
13	Ignition control (AW)	509298				
	(AD)	524900				
14	Transformer 120/24 VAC	509615			570389	
15	Motor relay (not shown)	--			570221	
16	Window with o-ring	570002				
17	Wiring kit, complete (AW)	523709		570110	570587	
	(AD)	573166		570103	--	
18	On/off switch (not shown)	--			570520	
19	Terminal strip (not shown)	--			570491	
20	Motor	520290	520292	520169	508635	
21	Motor mount	570382	570383	570251		
22	Fan wheel	570230	570304	570481	570440	
23	Air proving switch	570027	570493	500-24157	502680	
24	Flapper sail (not shown)	--			570212	
25	Fan housing with air proving switch and motor mount	520989	520990	500-24167	508798	

* Accessory - Must be ordered separately.