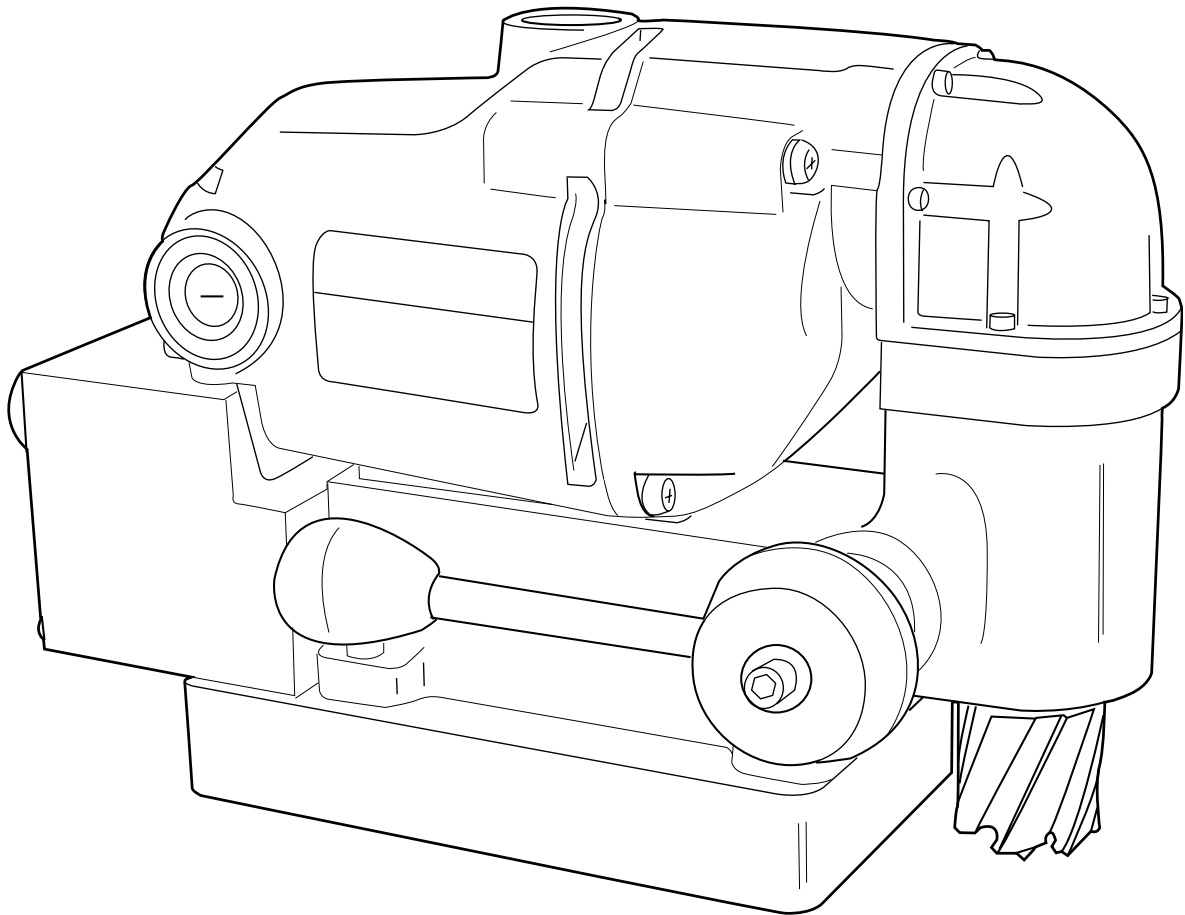




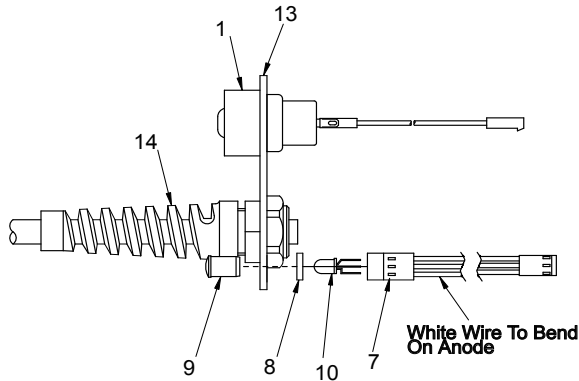
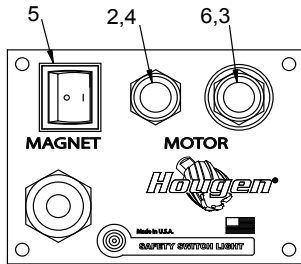
MODEL HMD150 SERIES
PORTABLE MAGNETIC DRILLS

OPERATOR'S MANUAL
COVERS DRILL PART NUMBERS 0150201, 0150301 & 0150401.



FOR USE WITH ROTALOC PLUS™ CUTTERS

CONTROL PANEL /HOOKUP DIAGRAM



05917 Control Panel Assembly - 230v, 0150201 & 0150401 (includes the 05912 Faceplate Assy. and 05827 Circuit Board) (Note 2)

05918 Control Panel Assembly - 230v Type I Plug, 0150301 (includes the 05913 Faceplate Assy. and 05827 Circuit Board)

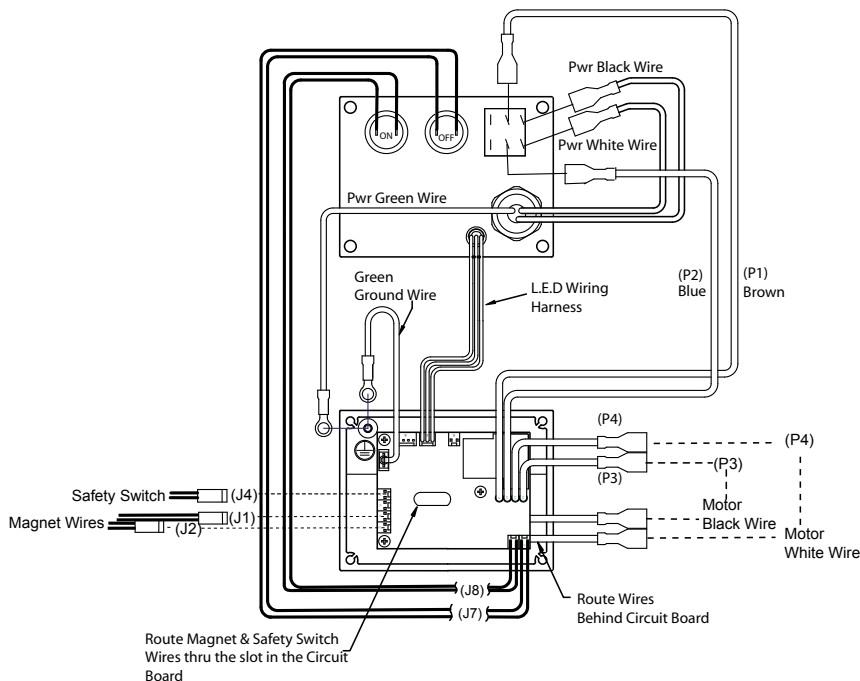
05912 Faceplate Assembly 0150201 & 0150401 (includes items 1-14 for a HMD150 230v) (Note 2)

05913 Faceplate Assembly 0150301 (includes items 1-14 for a HMD150 230v Type I Plug)

ITEM	PART #	DESCRIPTION	QTY
1	01226	Switch Guard	1
2	01228	Red Switch Cover	1
3	01334	Motor ON Switch	1
4	01335	Motor OFF Switch	1
5	04437	Rocker Switch 230v (Note 1)	1
6	02409	Green Switch Cover	1
7	04877	Wire Harness	1
8	04878	Spacer	1
9	04879	Clear Lens	1
10	04881	Bulb	1
11	05208	Green Ground Wire Assy.	1
13	05828	Faceplate	1
14	17640	Power Cord Assembly 230v 0150201 & 0150401 (Note 2)	1
	04771	Power Cord Assembly 230v Type I Plug	1

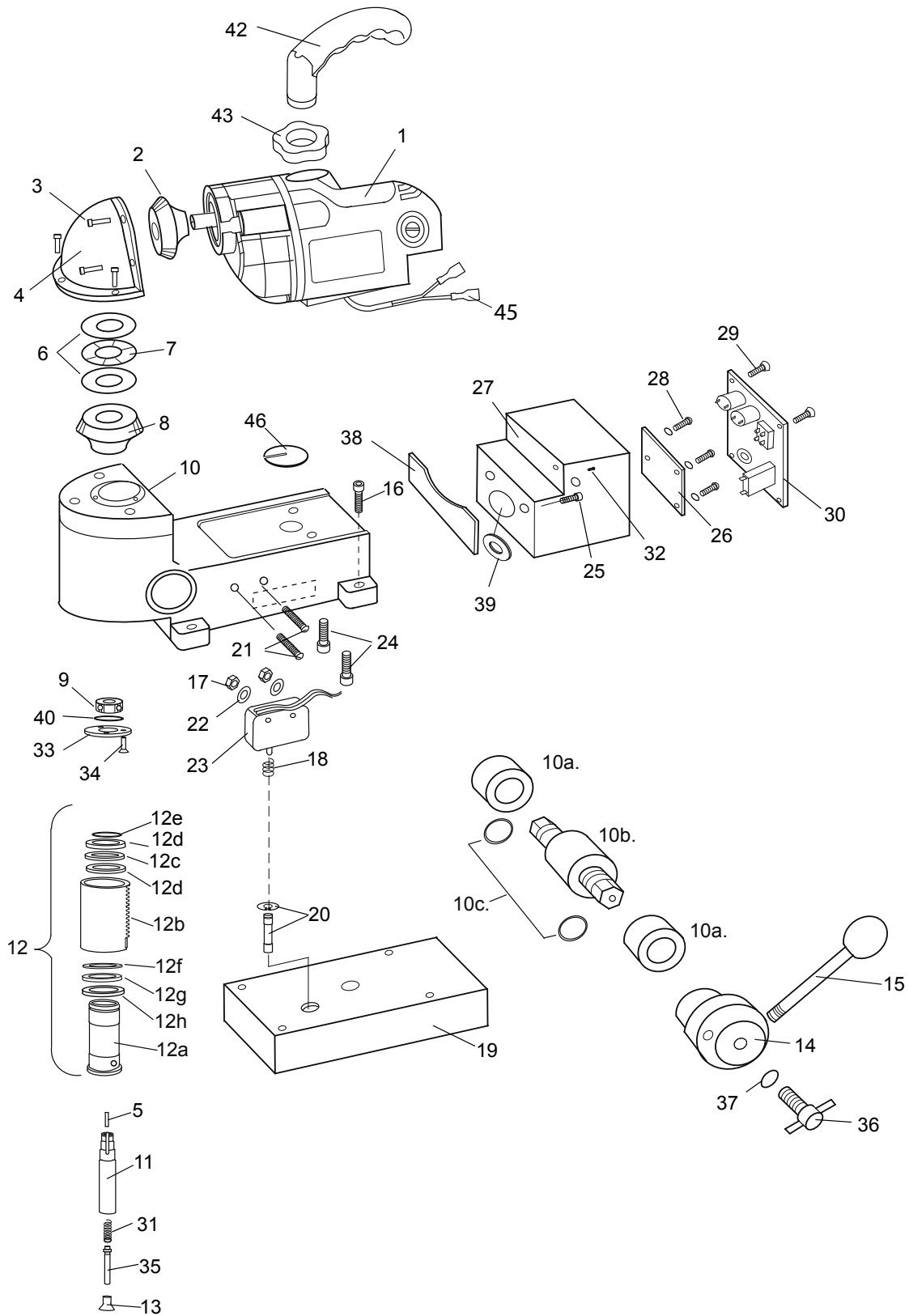
Note 1 - An alternative 04437 maybe used that is not a lighted switch.

Note 2 - Replacement part will have a standard U.S.A 230v plug installed.



Drill Parts Breakdown for

0150201 HMD150 230v,
0150301 HMD150 TYPE I 230v & **0150401** HMD150 230v No Plug

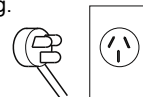


HMD150 Parts List

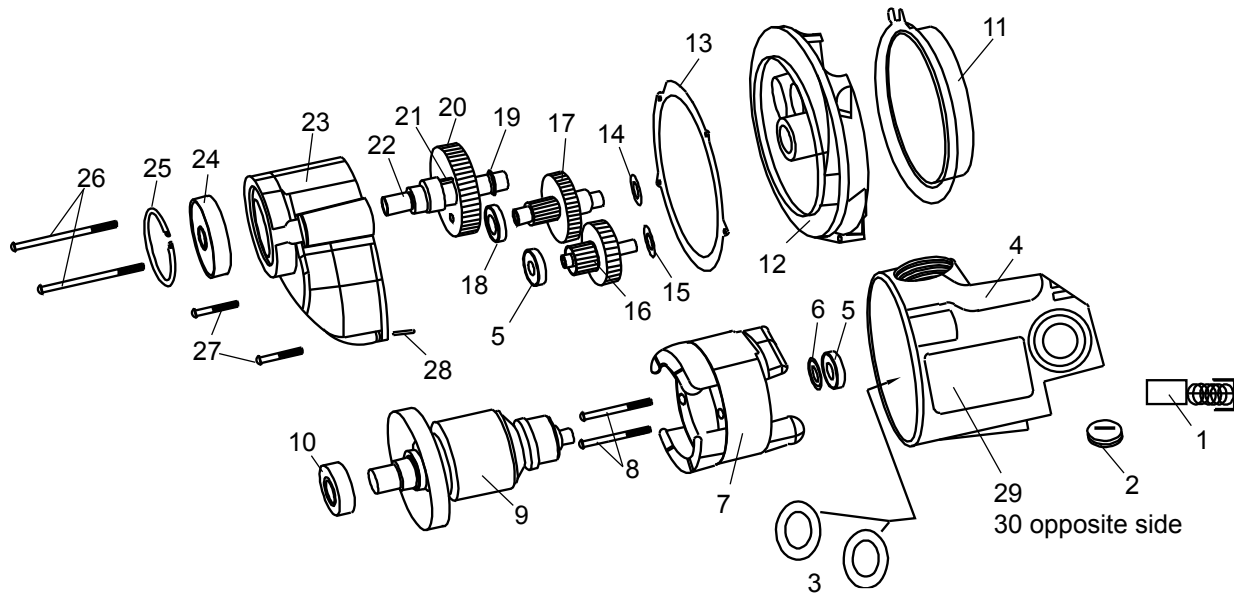
Item #	Part #	Description	Qty	Item#	Part #	Description	Qty	
1	07176	Motor Assy 230v	1	20	17285	Plunger Assembly	1	
2	17502	Left Hand Miter Gear	1	21	17476	BHC Torx Screw #6-32 X 1-1/4	2	
3	17002	SHC #6-32 X 1/2	7	22	90052	Lock Washer #6 ext. tooth	2	
4	17510	Gear Cap Assembly	1	23	04885	Safety Switch Assembly	1	
5	17277	Key 1/8 sq. X .53 lg.	1	24	75096	SHC Screw M6 X 20	2	
6	17517	Thrust Washers .312 ID X .750 OD	2	25	75094	SHC Screw M5 X 12	2	
7	17516	Thrust Bearing .312 ID X .750 OD	1	26	05827	Circuit Board 230v	1	
8	17278	Right Hand Miter Gear	1	27	17691	Electrical Box	1	
9	17270	Ball Bearing 32 X12 X 10mm	1	28	02547	SCR- #4-40 X 5/16 lg	3	
10	17279	Housing Assy	1	29	24081	SCR #10 X 3/8 self tap.	4	
10a	17495	Bronze Bearing		30	05912	Faceplate Assy. 230v (0150201 & 0150401) note1	1	
10b	17298	Feed Gear	1		05913	Faceplate Assy. 230v Type I plug (0150301)	1	
10c	40546	O-Ring	2	31	17492	Comp. Spring	1	
11	17280	Spline Shaft	1	32	04439	BHC Screw #10-32 X 3/16	1	
12	17646	Quill / Arbor Assembly	1	33	17289	Bearing Retaining Washer	1	
12a	17649	Arbor Assembly	1	34	04718	Screw #4-40 X 3/8	3	
12b	17647	Quill Assembly	1	35	17494	Plunger	1	
12c	17546	Bronze Thrust Washer	1	36	17291	Thumb Screw	1	
12d	17547	Steel Thrust Washer	2	37	90027	1/4 Flat Washer	1	
12e	04720	Retaining Ring	1	38	17293	Motor Seal	1	
12f	17644	Thrust Washer	1	39	17274	Grommet	1	
12g	17645	Thrust Needle Bearing	1	40	17475	Retaining Ring 12mm Shaft	1	
12h	17643	Thrust Washer Seal	1	41	05208	Green Ground Wire	1	
13	17493	SCR-FHC Modified 1/4-28 X 1/2 lg	1	42	05921	Handle	1	
14	17282	Hub Assembly	1	43	05920	Locking Nut	1	
15	17283	Feed Handle Assembly	1	44	05372	Lubiplate Grease	.01 oz	
16	10553	SHC Screw 1/4-20 X 7/8	4	45	90218	Wire Terminal	2	
17	40374	Hex Nut #6-32	2	46	07294	1" Lexan Protector	1	
18	17271	Tapered Spring	1	47	07343	230v Power Cord Label	1	
19	17651	Magnet Assembly	1	Note 1 - Replacement part will have a standard U.S.A 230v plug installed.				

The **0150401** is assembled without a plug on the power cord

The **0150301** is assembled with a Type "I" plug.



07176 230v Motor Diagram and Parts List



Item	Part #	Description	Qty	Item	Part #	Description	Qty
1	17621	Carbon Brush	2	16	17607	1st Inter. Gear Assy	1
2	17622	Brush Cap	2	17	17608	2nd Inter. Gear Assy	1
3	17632	Paper Washer	2	18	17603	Ball Bearing	1
4	17600	Field Case	1	19	17626	Retaining Ring	1
5	17602	Ball Bearing	2	20	17609	Spur Gear	1
6	17606	Dust Seal	1	21	17611	Key	1
7	17629	Field 230 volt	1	22	17616	Spindle	1
8	17623	Pan Head Screw	2	23	17615	Gear Housing (includes 24 & 25)	1
9	17631	Armature 230 volt	1	24	17605	Ball Bearing	1
10	17604	Ball Bearing	1	25	17627	Retaining Ring	1
11	17617	Fan Guide	1	26	17625	Pan Head Screw Long	2
12	17601	Gear Housing	1	27	17624	Pan Head Screw Short	2
13	17618	Gasket	1	28	17612	Dowel Pin	1
14	17613	Flat Washer	1	29	17537	Label - Motor Safety 230v	1
15	17610	Flat Washer	1	30	07153	Label - Motor Specs 230v	1

Rotaloc Plus™ Series of Cutters for the HMD150

The ROTALOC PLUS™ cutters are made specifically for the HMD150. They are equipped with 5/8" tool-less Bayonet-style twist and lock shank, the 1" depth of cut standard cutter. They are made of premium high speed steel and available in diameters from 1/2" to 1-3/8" and 12mm to 35mm. Cutters are also available in 3/4 depth of cut, please refer to our Hougén Catalog for those sizes.

Rotaloc Plus™ Cutters 1" D.O.C.

Use with Pilot Pin 17470		Use with Pilot Pin 17470	
17216	1/2"	17400	12mm
17218	9/16"	17402	13mm
17220	5/8"	17404	14mm
17222	11/16"	17406	15mm
17224	3/4"	17408	16mm
17226	13/16"	17410	17mm
17228	7/8"	17412	18mm
17230	15/16"	17414	19mm
17232	1"	17416	20mm
17234	1-1/16"	17418	21mm
17236	1-1/8"	17420	22mm
17238	1-3/16"	17422	23mm
17240	1-1/4"	17424	24mm
17240	1-5/16"	17425	24.5mm
17244	1-3/8"	17426	25mm
		17428	26mm
		17430	27mm
		17432	28mm
		17434	29mm
		17436	30mm
		17438	31mm
		17440	32mm
		17442	33mm
		17444	34mm
		17446	35mm

Rotaloc Plus™ Cutter Kits 1" D.O.C.

PART#	DESCRIPTION
17800	Kit contains (3) Cutters, 1" D.O.C. - 1/2", 5/8", 3/4" dia. plus (2) pilots in a sturdy plastic case
17801	Kit contains (3) Cutters, 1" D.O.C. - 9/16", 11/16", 13/16" dia. plus (3) Pilots in a plastic carrying case
17804	Kit contain (3) cutters, 1" D.O.C - 14mm, 16mm, 18mm dia. plus (3) pilots in a plastic carrying case.