

FIGURE 2 - SRX-2000H EE CONCRETE SAW, HONDA P/N 172235 & 172235-E

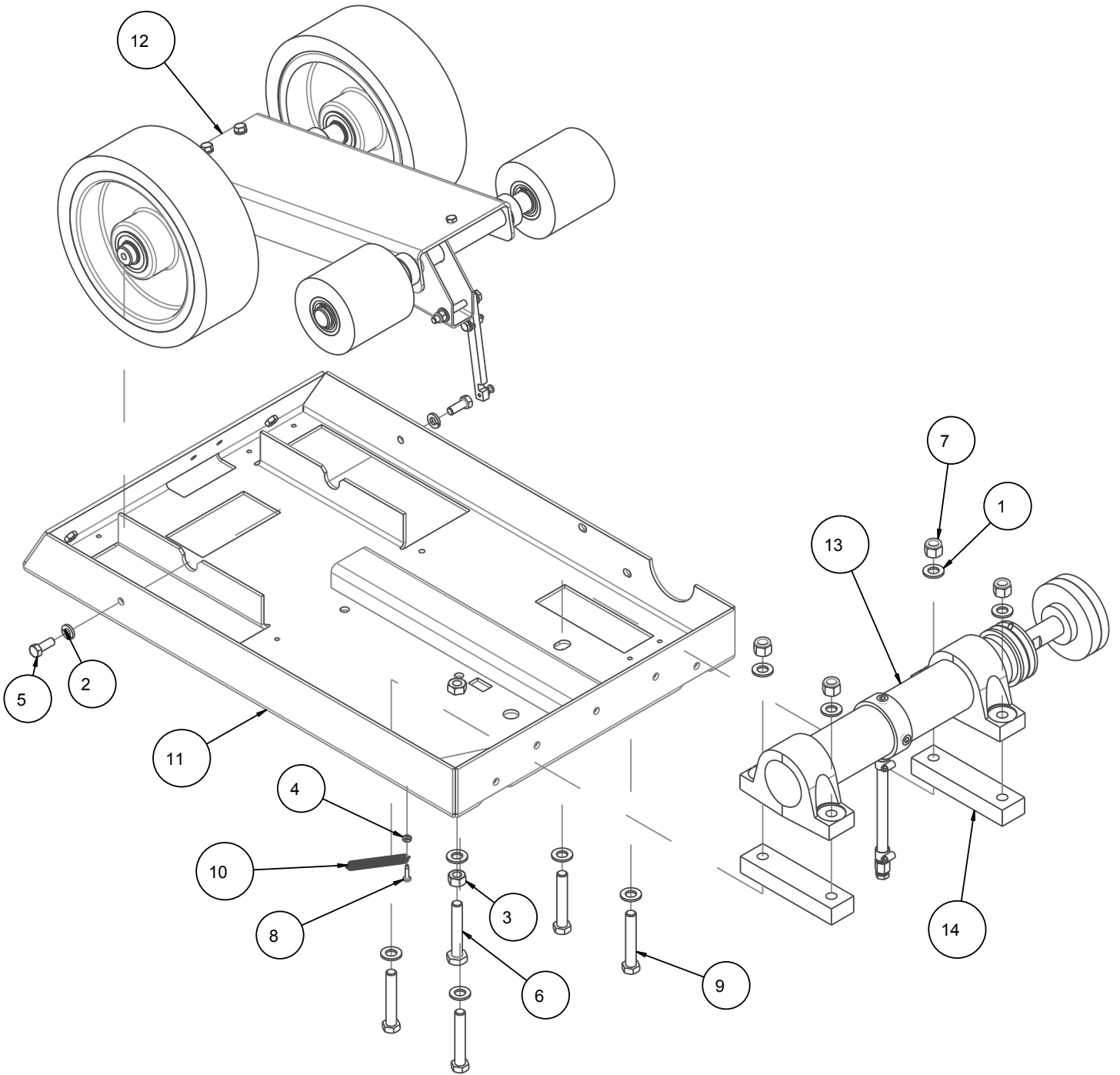


FIGURE 2 - SRX-2000H EE CONCRETE SAW, HONDA P/N 172235 & 172235-E

ITEM NO.	DESCRIPTION	PART #	QTY.
1	WASHER, 1/2 SAW FLAT	150924	9
2	WASHER, LOCK, SPLIT, 3/8	150925	2
3	NUT, HEX, 1/2-13	151282	1
4	NUT, HEX, 10-24	151749	1
5	SCREW, HEX HD CAP, 3/8-16 X 1	152507	2
6	SCREW, HEX HD, TAP, 1/2-13 X 3	153854	1
7	NUT, 1/2-13 NYLOK HEX	155162	4
8	SCREW, PAN HD PHIL MS 10-24 X 3/4	156641	1
9	SCREW, HEX HD, CAP, 1/2-13 X 3	163216	4
10	SPRING, EXTENSION, 7/16OD X 3.0L X .048WIRE	167270	1
11	FRAME	172236	1
12	ASSY, TRUCK	172237	1
13	ASSY, BLADE SHAFT	172241	1
14	BLOCK, BLADE SHAFT SPACER	172398	2

FIGURE 3 SRX-2000H EE CONCRETE SAW, HONDA P/N 172235-E

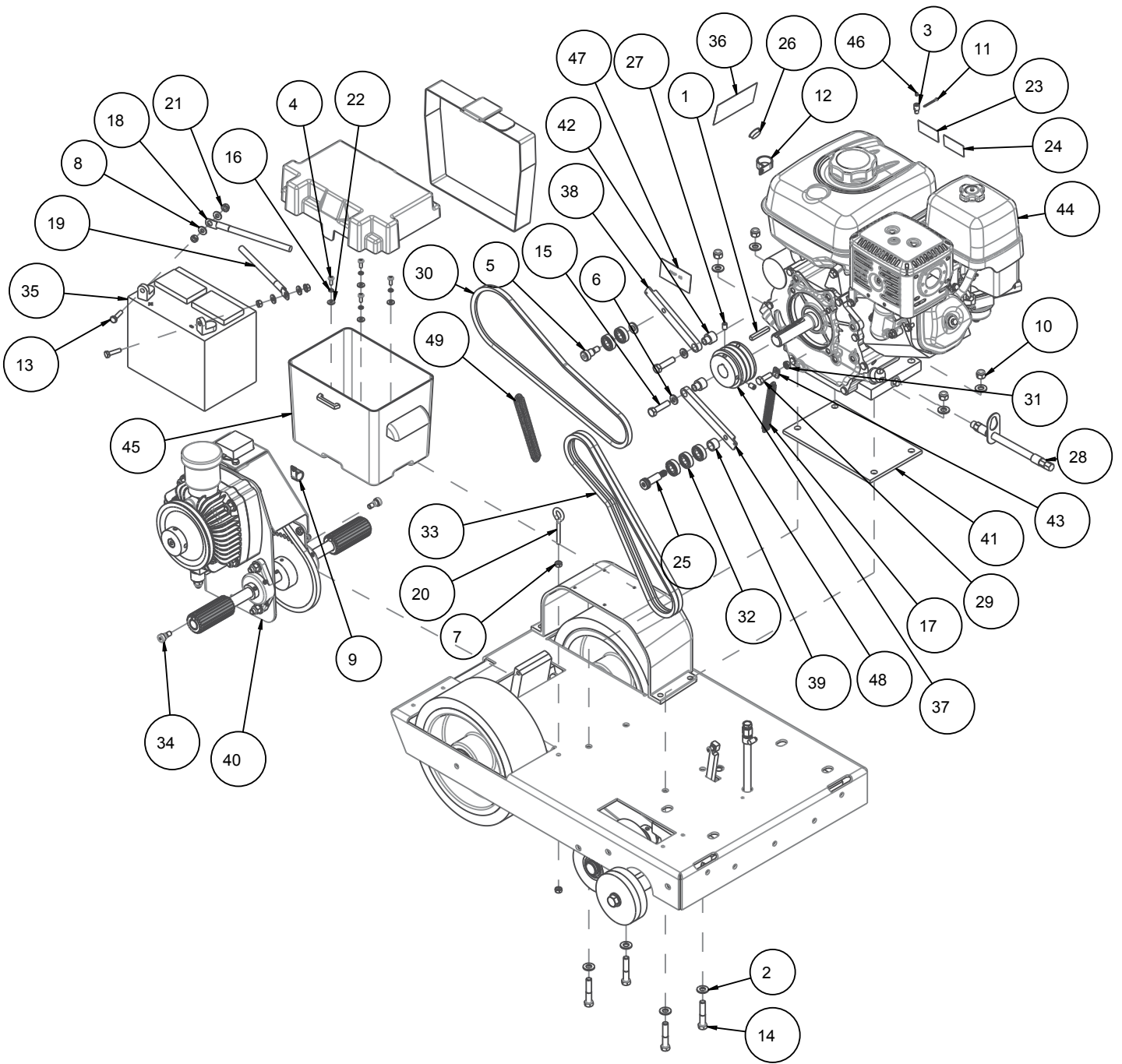
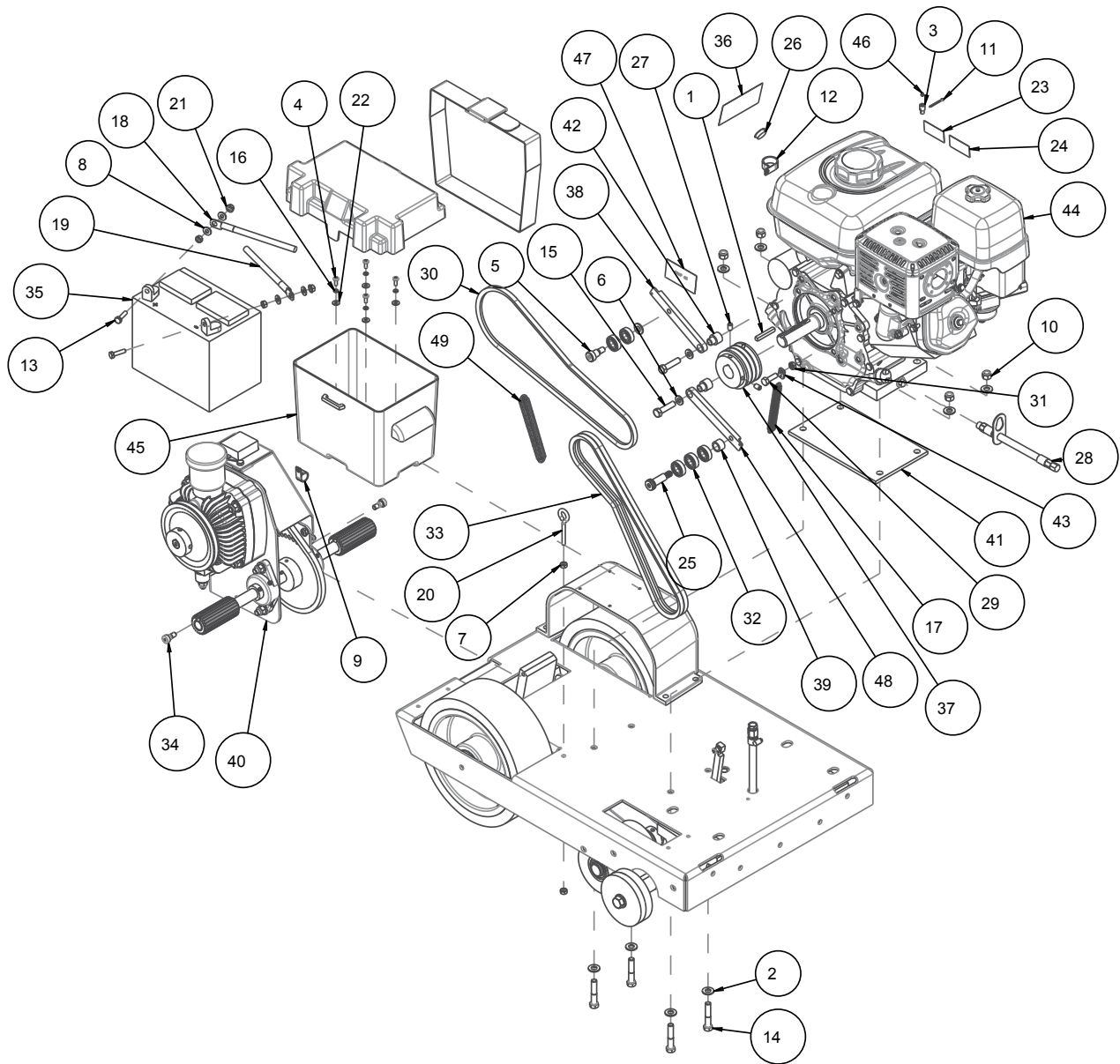


FIGURE 3 SRX-2000H EE CONCRETE SAW, HONDA P/N 172235-E

ITEM NO.	DESCRIPTION	PART #	QTY.
1	WASHER, FLAT, SAE, 3/8	150923	3
2	WASHER, LOCK, SPLIT, 3/8	150925	3
3	SCREW, HEX HD, 5/16-18X1	151743	4
4	WASHER, LOCK, SPLIT, 5/16	151747	2
5	WASHER, FLAT, SAE, 5/16	151754	6
6	WASHER, FLAT, SAE, 1/4	151915	12
7	SCREW, HEX HD CAP, 3/8-16 X 1	152507	3
8	SCREW, 1/4-20 X 3/4 SOCKET HEAD CAP	152587	1
9	WASHER, LOCK, SPLIT, 1/4	152591	11
10	SCREW, 1/4-20 X 1/2 HEX HEAD	152608	8
11	SCREW, HEX HD, TAP, 1/4-20X1	152676	2
12	EYEBOLT, 1/4-20 X 2	153887	1
13	NUT, HEX, TW, 5/16-18	153942	5
14	SPRING, EXTENSION, 3/4OD X 6.5L X .091 WIRE	153957	1
15	CLAMP, CABLE	154383	2
16	LABEL, CAUTION, HOT SURFACE	155578	1
17	LABEL, CAUTION, DISCONNCT SPRKPLG	155579	1
18	LABEL, CAUTION, GUARDS IN PLACE	155587	1
19	SCREW, HEX HD, CAP, 1/4-20X2-1/4	156607	1
20	SCREW, 10-32 X 1/2 SOCKET HEAD SET	157525	2
21	WASHER LOCK, IT, #10	158336	2
22	SCREW, SHOULDER, 5/16 X 7/8	160726	1
23	SCREW, HEX HD, CAP, 1/4-20X 1-3/4	165534	1
24	RING, RETAINING, 5/16 SHAFT	171878	3
25	CLAMP, CUSHION LOOP, 2-1/2	172187	1
26	ASSY, HANDLEBAR	172243-E	1
27	CAGE, ENGINE	172244	1
28	ASSY, BLADE GUARD	172245	1
29	ASSY, ARM, TRANS TENSION	172394	1
30	GUARD, BELT, COMP	172415	1
31	ASSY, POINTER	172416	1
32	NAMEPLATE, SRX-2000, COMP	172420	1
33	GUARD, WHEEL, COMP	172434	1
34	PLATE, POINTER SPRING	172594	1

FIGURE 3 - SRX-2000H EE CONCRETE SAW, HONDA P/N 172235-E



ITEM NO.	DESCRIPTION	PART #	QTY.
1	KEY, 1/4 SQR X 1-3/4	150796	1
2	WASHER, FLAT, SAE, 3/8	150923	9
3	PIN, THROTTLE CONTROL	151284	1
4	SCREW, PAN HD, #10-24X1/2	151744	4
5	SCREW, SHOULDER, 1/2 X 1/2	151753	1
6	WASHER, FLAT, SAE, 5/16	151754	2
7	NUT, HEX, 1/4-20	151893	4
8	WASHER, FLAT, SAE, 1/4	151915	4
9	CLAMP, 1/2 CUSHION LOOP	152471	1
10	NUT, HEX, NYLK, 3/8-16	152505	4
11	PIN, 1/16 X 3/4 COTTER	152518	1

FIGURE 3 - SRX-2000H EE CONCRETE SAW, HONDA P/N 172235-E

ITEM NO.	DESCRIPTION	PART #	QTY.
12	CLAMP, CUSHION LOOP, 7/8	152593	1
13	SCREW, HEX HD TAP, 1/4-20X1	152676	2
14	SCREW, HEX HEAD, CAP, 3/8 -16 X 2	153485	4
15	SCREW, 3/8-16 X 1-1/2 HEX HEAD	153528	2
16	WASHER, #10 SPLIT LOCK	153684	4
17	SPRING, EXTENSION, 9/16OD X 2.5L X .072WIRE	153807	1
18	CABLE, 4GA X 24 RED BATTERY	153849-R	1
19	CABLE, 4GA X 24 BLACK BATTERY	153849-B	1
20	EYEBOLT, 1/4-20 X 2	153887	1
21	NUT, HEX, TW, 1/4-20	153941	2
22	WASHER, FLAT, SAE, #10	154369	4
23	LABEL, WARNING, REFUELING	155580	1
24	LABEL, DANGER, LETHAL EXHAUST	155582	1
25	SCREW, SHOULDER, 1/2X1-1/4	156176	1
26	PLUG, HOLE PLASTIC 3/4"	156615	1
27	SCREW, 5/16-18 X 3/8 SOCKET HEAD SET	157084	2
28	ASSY, OIL DRAIN, 12MM	157577-02	1
29	SCREW, HEX HD, TAP, 5/16-24X1	157646	1
30	BELT, 3VX375	157891	1
31	NUT, HEX, JAM, 5/16-24	160077	1
32	BEARING, .500 X 1.125 X .3125 BALL	160477	5
33	BELT, 3VX335	160620	2
34	SCREW, SHOULDER, 3/8 X 1/4	162555	2
35	BATTERY, 12V, 35AH	162589	1
36	LABEL, WARNING, SILICA, PROP 65	164202	1
37	PULLEY, 3/3V30 X 1 BORE	171330	1
38	ARM, IDLER	172077	2
39	SPACER, 3/4OD X 7/16ID X 1/2H	172147	1
40	ASSY, TRANSMISSION	172378	1
41	PAD, VIBRATION	172399	1
42	BUSHING, FLANGE, 5/16 X 1/2 X 1	172403	2
43	LINK, IDLER, DRIVE BELT	172404	1
44	ENGINE, HONDA GX270	172605	1
45	BOX, BATTERY, U1 COMP	172636	1
46	SCREW, SET, FLAT PT, 8-32 X 3/16	172638	1
47	LABEL, WARNING, PROP 65, EQUIPMENT & COMPONENTS	172641	1
48	ARM, IDLER	172701	1
49	SPRING, EXTENSION, 3.688OD X 5.5L X .08WIRE	172824	1

FIGURE 5 - SRX-2000, ASSY. HANDLEBAR P/N 172243-E

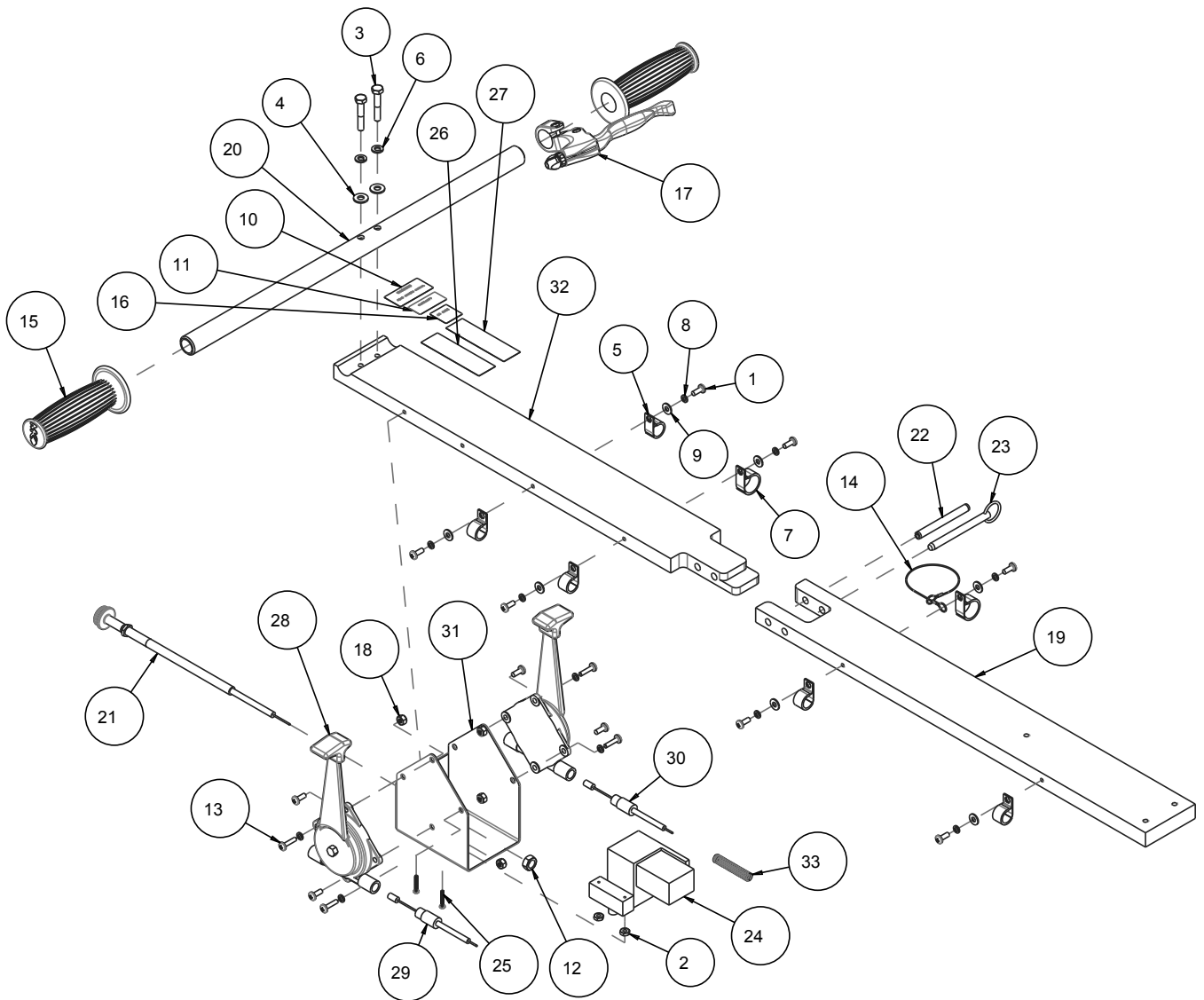


FIGURE 5 - SRX-2000, ASSY. HANDLEBAR P/N 172243-E

ITEM NO.	DESCRIPTION	PART #	QTY.
1	SCREW, PAN HD, #10 - 24 X 1/2	151744	11
2	NUT, HEX, 10-24	151749	2
3	SCREW, HEX HEAD, 1/4 - 20 X 1-1/2"	151914	2
3	WASHER, FLAT, SAE, 1/4	151915	2
4	CLAMP, 1/2 CUSHION LOOP	152471	5
5	WASHER, LOCK, SPLIT, 1/4	152591	2
7	CLAMP, 3/4 CUSHION LOOP	152594	2
8	WASHER, #10 SPLIT LOCK	153684	11
9	WASHER, FLAT, SAE, #10	154369	7
10	LABEL, WARNING, READ MANUAL	154398	1
11	LABEL, INFORMATION ON SERVICE	155038	1
12	NUT, HEX, JAM, 3/8-24	156623	1
13	SCREW, PAN HD PHIL MS 10-24 X 3/4	156641	4
14	LANYARD, 3/64 X 8" GALVNZD STEEL	158072	1
15	GRIP, HANDLE 7/8 ID	158608	2
16	LABEL, QR CODE	170480	1
17	LEVER, LOCK RELEASE	172073	1
18	NUT, HEX, NYLK, 10-24	172353	4
19	HANDLEBAR, SECTION, LOWER	172531	1
20	HANDLEBAR, CROSSMEMBER	172533	1
21	THROTTLE CONTROL, PUSH BUTTON RELEASE	172542	1
22	PIN, SPRING, 5/16 X 3	172543	1
23	PIN, DETENT, 5/16 X 3, W/RING PULL	172544	1
24	WIRE HARNESS, SRX-2000H ESTART	172630	1
25	SCREW, PAN HD, PHIL, M3-0.5 X 20MM	172632	2
26	LABEL, POINTER DEPLOY	172642	1
27	LABEL, TRANSMISSION	172643	1
28	CONTROL HEAD, UNIDRUM	172731	2
29	CABLE, POINTER LIFT, UNIDRUM	172733	1
30	CABLE, DRIVE CONTROL, UNIDRUM	172734	1
31	BRACKET, THROTTLE/KEY	172735	1
32	HANDLEBAR SECTION, UPPER	172736	1
33	SPRING, COMPRESSION, .375OD X .035WD X2.0L	172778	1

FIGURE 6 - SRX-2000, ASSY. BLADE GUARD P/N 172245

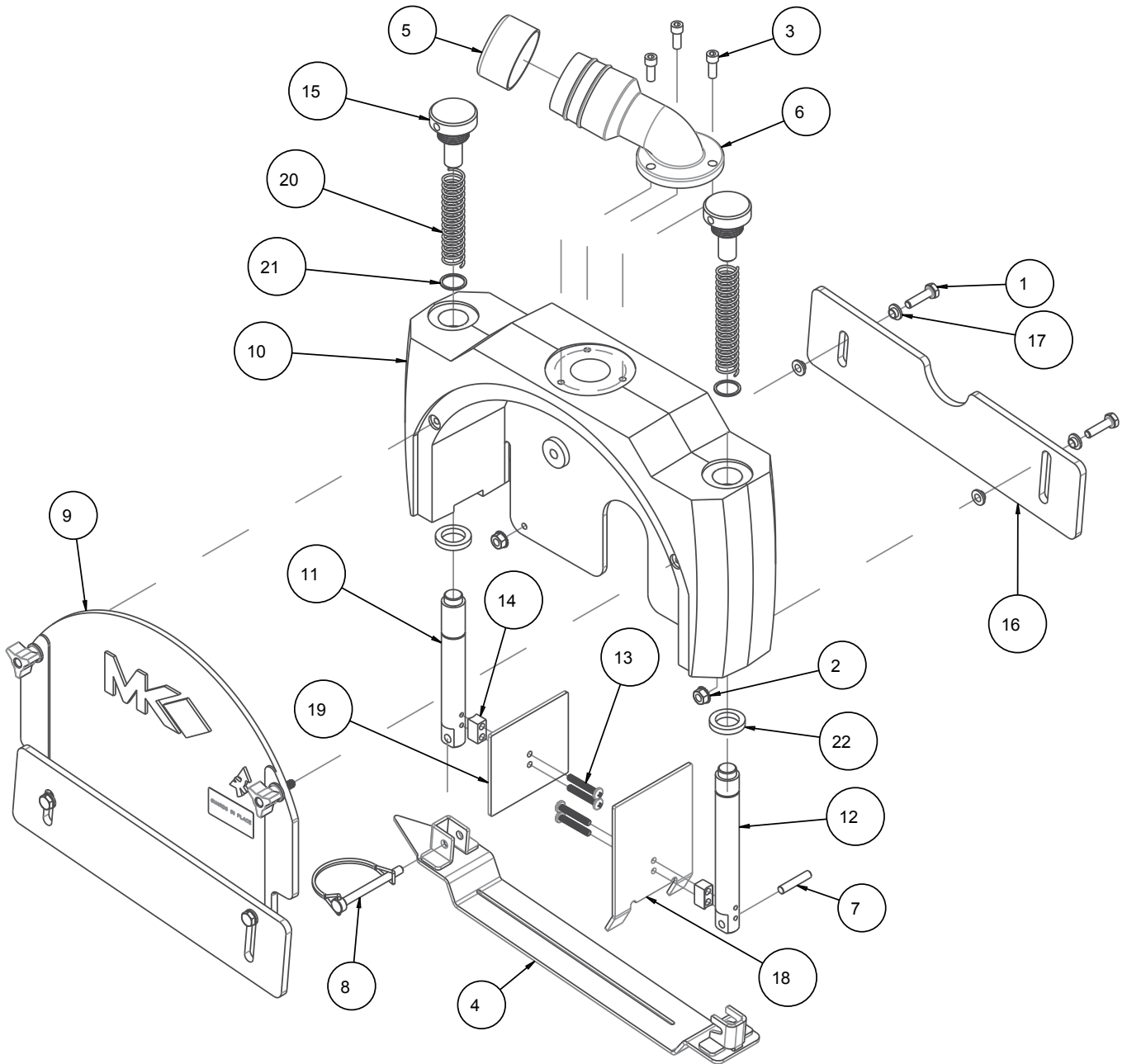


FIGURE 6 - SRX-2000, ASSY. BLADE GUARD P/N 172245

ITEM NO.	DESCRIPTION	PART #	QTY.
1	SCREW, HEX HD, TAP, 1/4-20 X 1	152676	2
2	NUT, HEX, TW, 1/4-20	153941	2
3	SCREW, 1/4-20 X 5/8 SOCKET HEAD CAP	161269	3
4	PLATE, SKID, 10" BLADE SS	171287	1
5	CAP, 2" TUBING, VINYL	171362	1
6	FITTING, VACUUM, COMP	172101	1
7	PIN, DOWEL, STEEL	172144	1
8	PIN, WIRE LOCK, 1/4 X 2-1/8	172145	1
9	ASSY, COVER, BLADE GUARD	172245-1	1
10	BLADE GUARD, SRX-2000, COMP	172247	1
11	ROD, PLUNGER, REAR	172250	1
12	ROD, PLUNGER, FRONT	172251	1
13	SCREW, PAN HD, 10-24 X 1-14	172352	4
14	SPACER, PLUNGER	172367	2
15	CAP, PLUNGER	172368	2
16	GUARD, LOWER SLIDING, INSIDE	172371-2	1
17	WASHER, FLANGE, PLAS, 1/4ID X 3/16H	172372	4
18	PLATE, FRONT PLUNGER	172373	1
19	PLATE, REAR PLUNGER	172374	1
20	SPRING, COMPRESSION, .72OD X 4.0L	172375	2
21	RING, RETAINING, 3/4 EXT SPIRAL	172376	2
22	SEAL, OIL, 3/4 X 1-1/8 X 3/16	172377	2

FIGURE 7 - SRX-2000, ASSY. COVER, BLADE GUARD P/N 172245-1

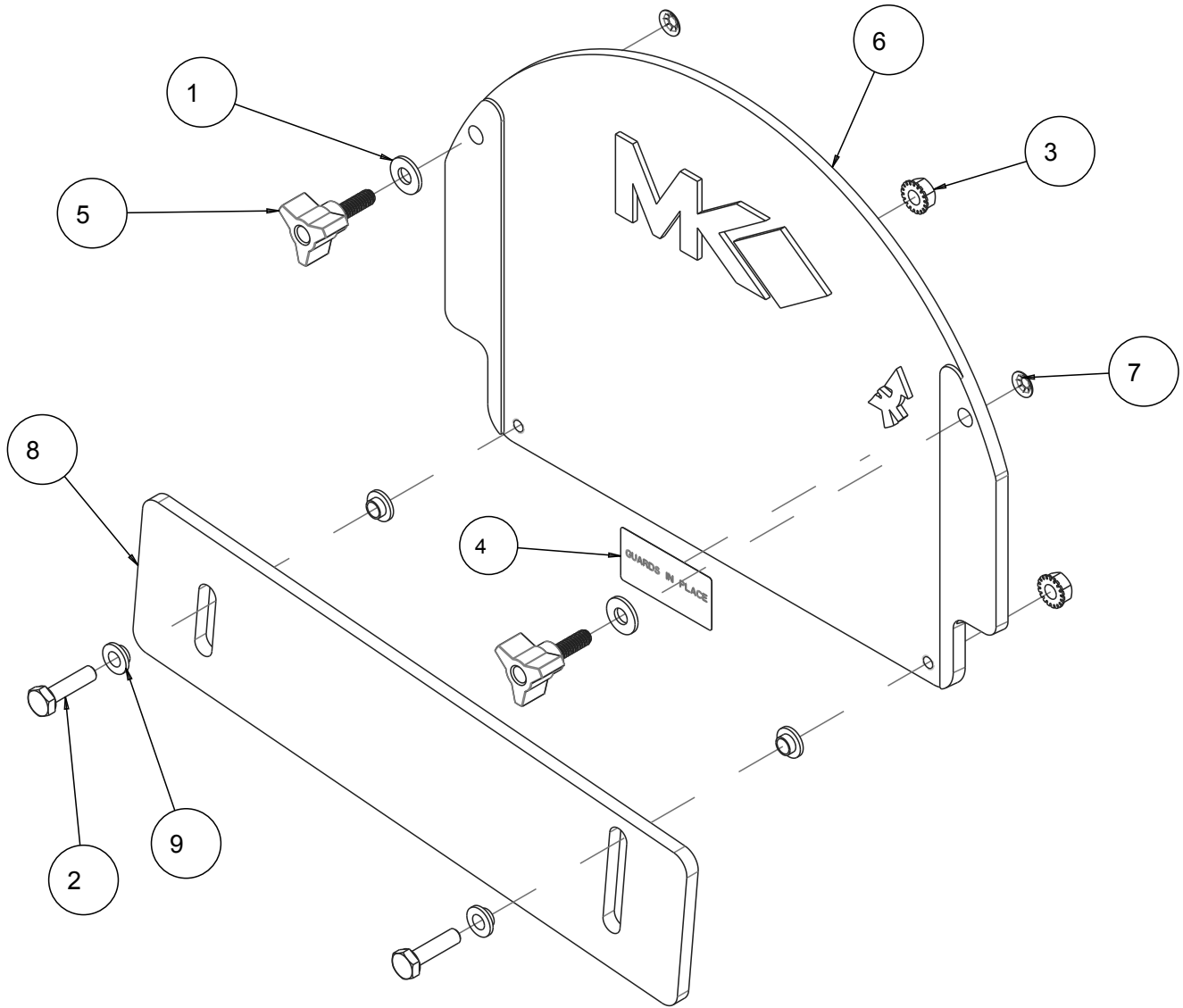


FIGURE 7 - SRX-2000, ASSY. COVER, BLADE GUARD P/N 172245-1

ITEM NO.	DESCRIPTION	PART #	QTY.
1	WASHER, FLAT, SAE, 1/4	151915	2
2	SCREW, HEX HD, TAP, 1/4-20X1	152676	2
3	NUT, HEX, TW, 1/4-20	153941	2
4	LABEL, CAUTION, GUARDS IN PLACE	155587	1
5	KNOB, 3 PRONG, 1/4-20 X 3/4	172183	2
6	COVER, BLADE GUARD, COMP	172249	1
7	NUT, PUSH, 3/16 SHAFT	172369	2
8	GUARD, LOWER SLIDING, OUTSIDE	172671-1	1
9	WASHER, FLANGE, PLAS, 1/4ID X 3/16H	172372	4

FIGURE 8 - SRX-2000, ASSY. POINTER P/N 172416

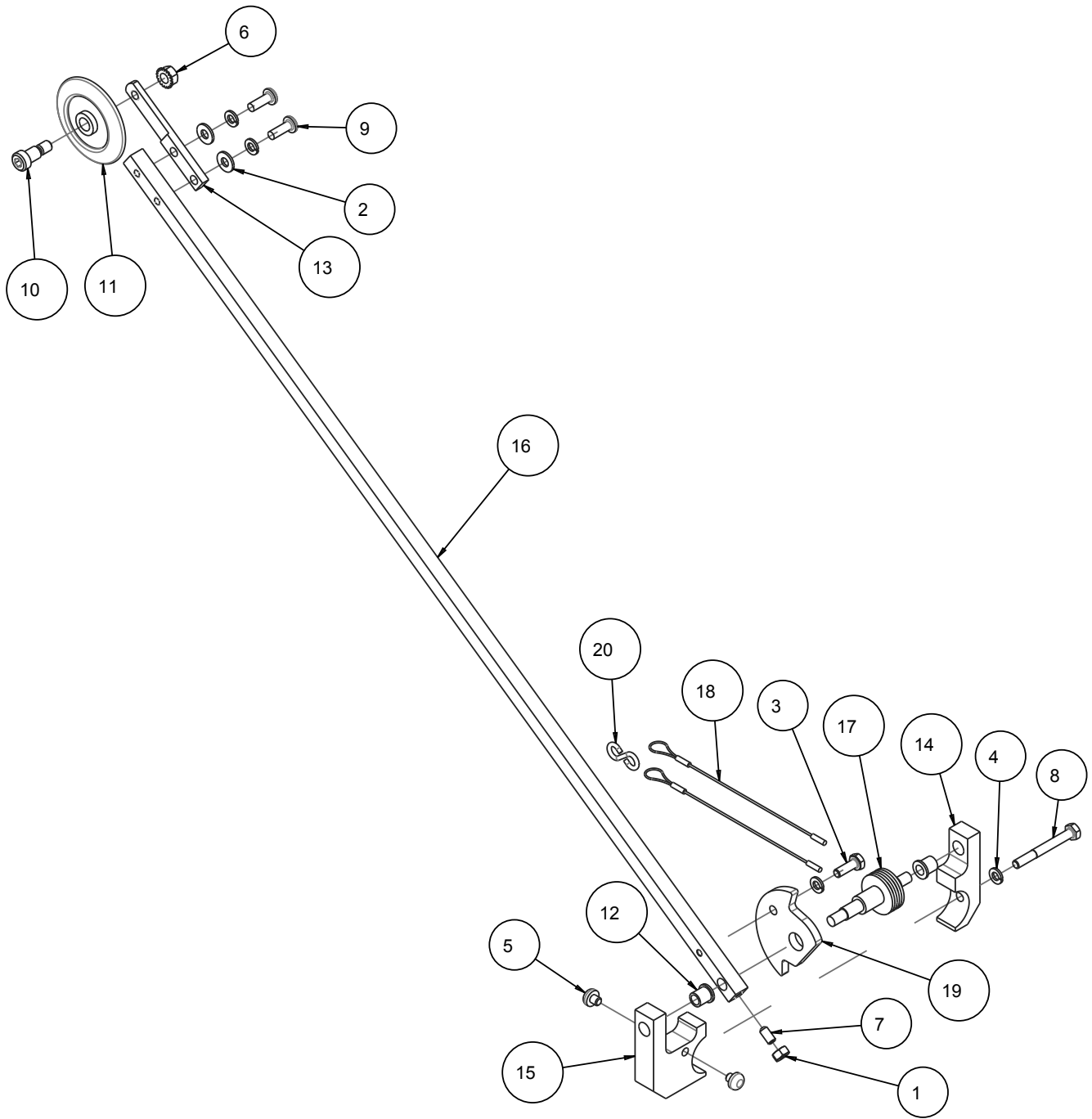


FIGURE 8 - SRX-2000, ASSY. POINTER P/N 172416

ITEM NO.	DESCRIPTION	PART #	QTY.
1	NUT, HEX, 1/4-20	151893	1
2	WASHER, FLAT, SAE, 1/4	151915	2
3	SCREW, HEX HEAD, 1/4 - 20 X 3/4	152370	1
4	WASHER, LOCK, SPLIT, 1/4	152591	4
5	BUMPER, RUBBER, 1/2 DIA	152674	2
6	NUT, HEX, TW, 5/16 - 18	153942	1
7	SCREW, 1/4-20 X 1/2 SOCKET HEAD SET	155804	1
8	SCREW, HEX HD, CAP, 1/4-20 X 2-1/4	156607	1
9	SCREW, PAN HD, 1/4-20 X 3/4	157523	2
10	SCREW, SHOULDER 3/8 X 1/2	160078	1
11	WHEEL, POINTER, 2.75 X .5 X .40	165234	1
12	BUSHING, BRONZE FLANGED 5/16 X 7/16 X 1/2	168873	2
13	BAR, POINTER ADAPTER	172131	1
14	BLOCK, POINTER MOUNT, LEFT	172417	1
15	BLOCK, POINTER MOUNT, RIGHT	172418	1
16	BAR, GUIDE	172588	1
17	SPOOL, POINTER	172589	1
18	CABLE, POINTER SPOOL	172590	2
19	PLATE, POINTER STOP	172595	1
20	HOOK, S, 1/8 X 1	172598	1

FIGURE 9 - SRX-2000, ASSY. TRUCK P/N 172237

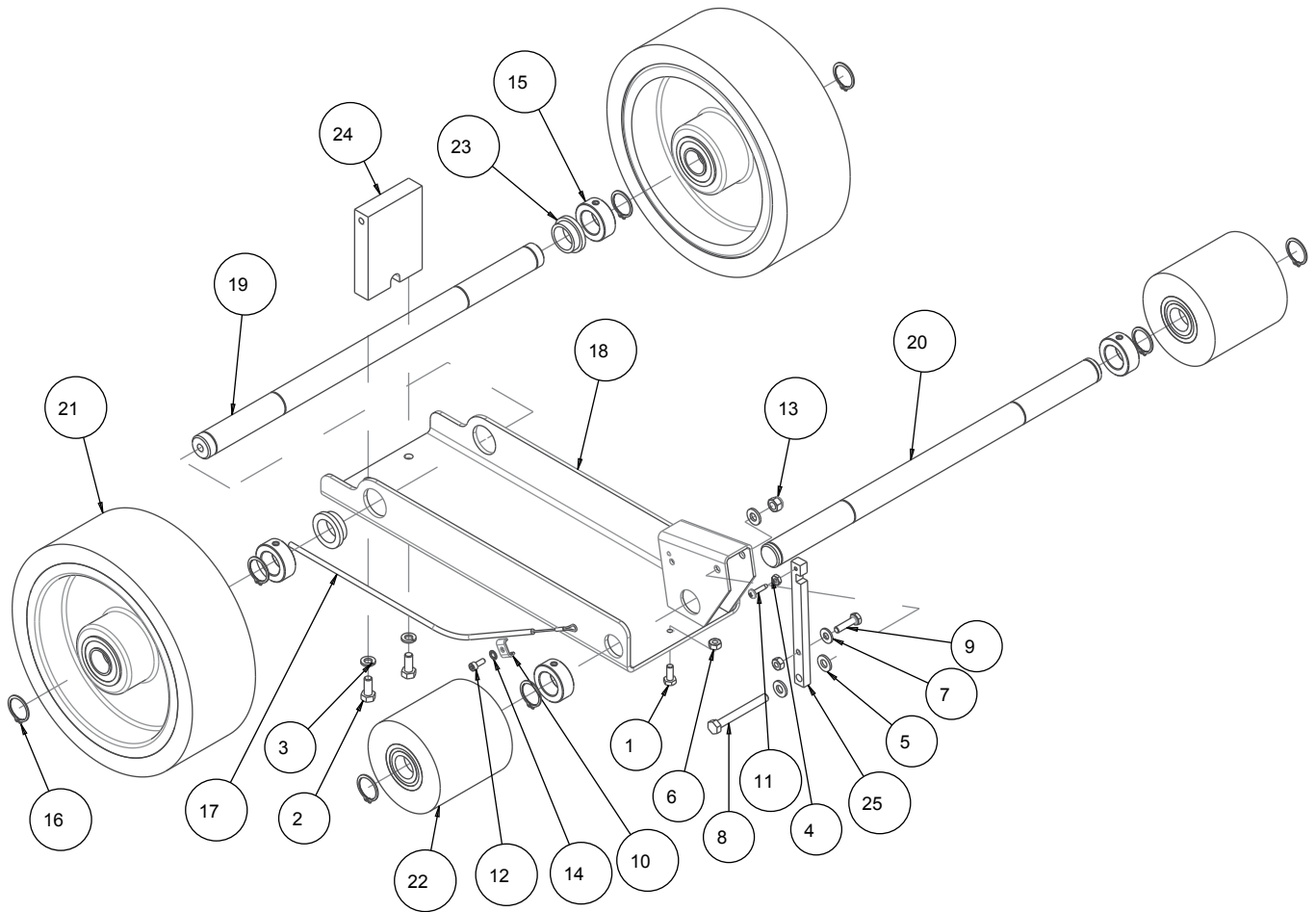


FIGURE 9 - SRX-2000, ASSY. TRUCK P/N 172237

ITEM NO.	DESCRIPTION	PART #	QTY.
1	SCREW, HEX HEAD, 14/-20 X 5/8	150404	1
2	SCREW, HEX HD, CAP, 5/16-18 X 3/4	151369	2
3	WASHER, LOCK, SPLIT, 5/16	151747	2
4	NUT, HEX, 10-24	151749	1
5	WASHER, FLAT, SAE, 5/16	151754	3
6	NUT, HEX, 1/4-20	151893	2
7	WASHER, FLAT, SAE, 1/4	151915	1
8	SCREW, HEX HD, 5/16-18 X 2-3/4	152520	1
9	SCREW, HEX HD, TAP, 1/4-20X1	152676	1
10	CLAMP, CABLE	154383	1
11	SCREW, PAN HD PHIL MS 10-24X3/4	156641	1
12	SCREW, 10-32 X 1/2 SOCKET HEAD SET	157525	1
13	NUT, HEX, NYLK, 5/16-18	158289	1
14	WASHER, LOCK, IT, #10	158336	1
15	COLLAR, 1.0 SHAFT	160649	4
16	RING, 1" EXTERNAL RETAINING	161140	8
17	CABLE, LOCK RELEASE, COMP	172167-1	1
18	TRUCK	172238	1
19	AXLE, REAR, 1"	172239	1
20	AXLE, FRONT, 1"	172240	1
21	WHEEL, 10 X 3.5 X 1.0 BEARING	172307	2
22	WHEEL, 4 X 4 X 1.0 BEARING	172345	2
23	BUSHING, FLANGE, PLAS, 1 X 1-1/4 X 1/2	172386	2
24	BLOCK, TRANS MOUNT	172387	1
25	LEVER, RAISE LOCK	172603	1

FIGURE 10 - SRX-2000, ASSY. TRANSMISSION P/N 172378

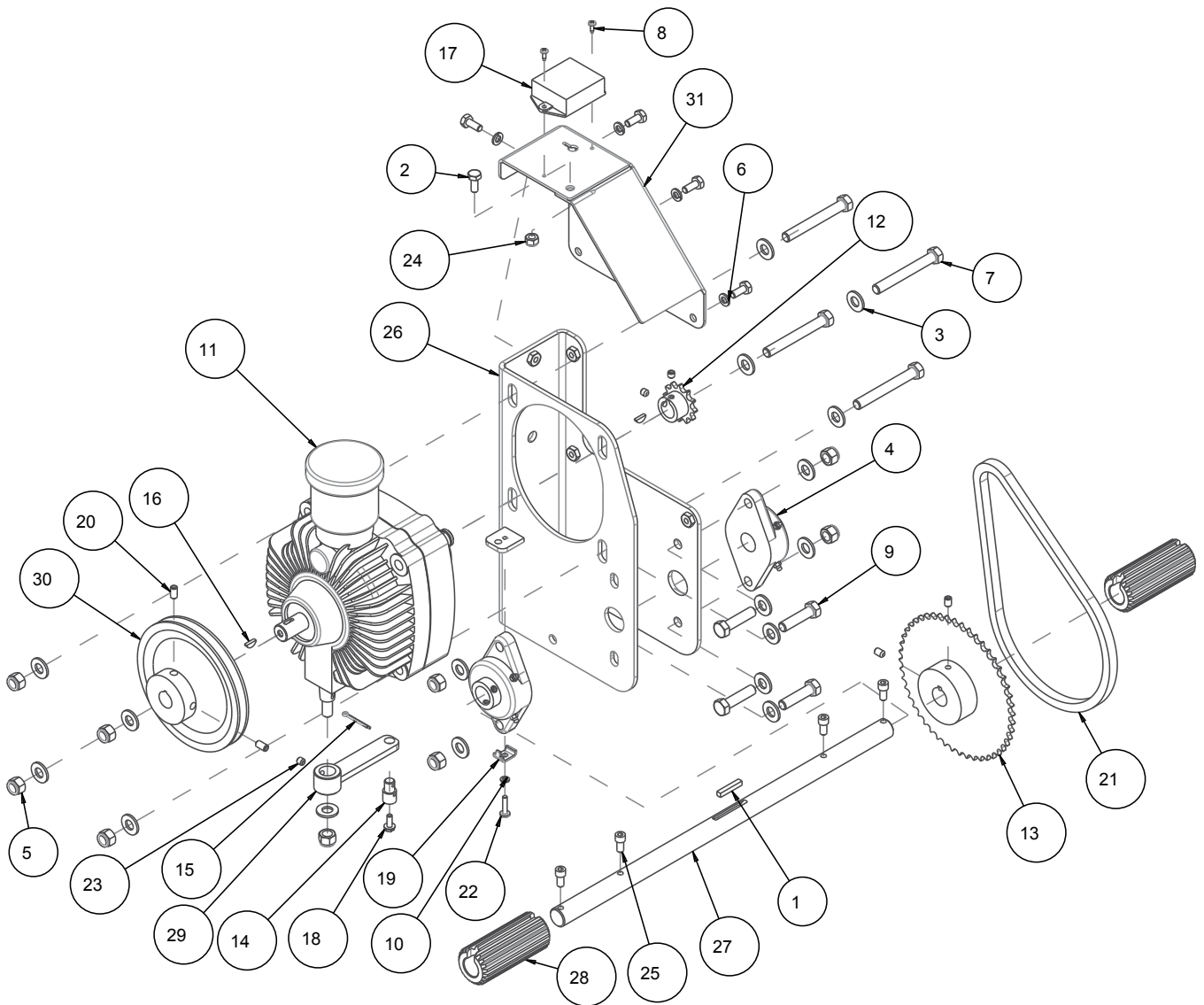


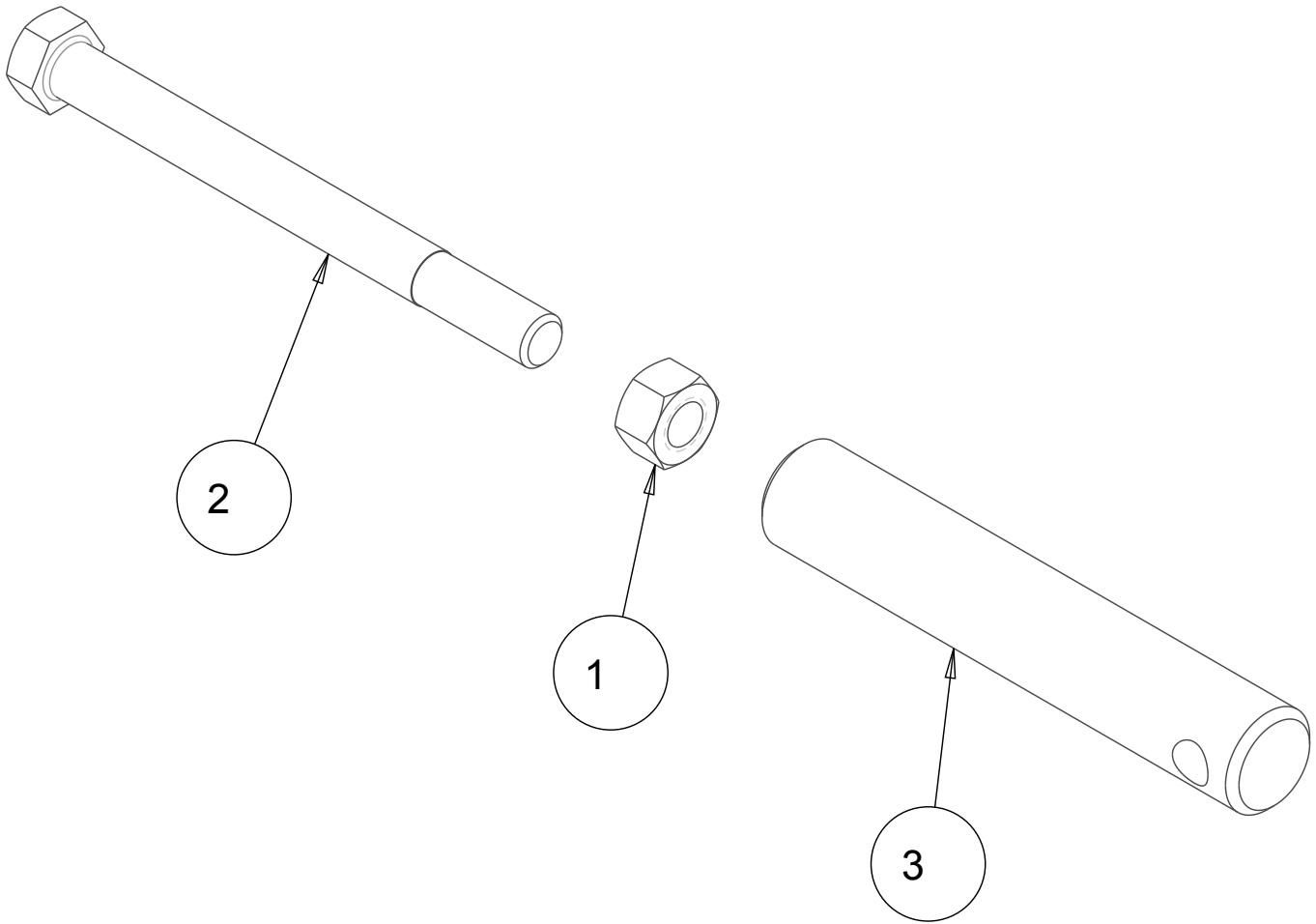
FIGURE 10 - SRX-2000, ASSY. TRANSMISSION P/N 172378

ITEM NO.	DESCRIPTION	PART #	QTY.
1	KEY, 3/16 SQ X 1-1/18	150344	1
2	SCREW, HEX HEAD, 1/4-20 X 5/8	150404	5
3	WASHER, FLAT, SAE, 3/8	150923	17
4	BEARING, Ø 3/4 FLANGE	152505	2
5	NUT, HEX, NYLK, 3/8-16	152505	9
6	WASHER, LOCK, SPLIT, 1/4	152591	4
7	SCREW, 3/8-16 X 3 HEX HEAD CAP	153113	4
8	SCREW, #6-32 X 3/8 PAN HEAD SELF TAPPING	153466	2
9	SCREW, 3/8-16 X 1-1/2 HEX HEAD	153528	4
10	WASHER, #10 SPLIT LOCK	153684	1
11	PUMP, TRANSMISSION	153783	1
12	SPROCKET, #35-B12 X 17 MM BORE	153811	1
13	SPROCKET, #35-B48 X 3/4 BORE	153812	1
14	PIN, WIRE STOP	153842	1
15	PIN, COTTER 1/8 X 1-1/2	153860	1
16	KEY, WOODRUFF, 1/8X 1/2	153865	2
17	TACHOMETER/HOURMETER	153877	1
18	SCREW, HEX HD FL 10-24X 5/16	154172	1
19	CLAMP, CABLE	154383	1
20	SCREW, 1/4-20 X 1/2 SOCKET HEAD SET	155804	2
21	CHAIN, ROLLER	156309	1
22	SCREW, PAN HD PHIL MS 10-24 X 3/4	156641	1
23	SCREW, SET, 1/4-20X/14	157528	1
24	NUT, HEX, NYLK, 1/4-20	159857	1
25	SCREW, 1/4-20 X 1/2 SOCKET HEAD CAP	162778	4
26	MOUNT, TRANSMISSION	172388	1
27	SHAFT, FRICTION DRIVE	172389	1
28	SPLINE, 1-1/2 X 3.5	172390	2
29	LEVER, TRANS CONTROL	172391	1
30	PULLEY, 3V53 X 17MM BORE OFFSET	172392	1
31	COVER, TRANS MOUNT	172396	1

FIGURE 11 - SRX-2000, ASSY. BLADE SHAFT P/N 172241

ITEM NO.	DESCRIPTION	PART #	QTY.
1	WASHER, 1/2 SAE FLAT	150924	1
2	CLAMP, HOSE, 5/8	151198	2
3	HOSE, 1/4 FUEL, 6"	154163	1
4	PLUG, 1/4NPT HEX SOCKET	154679	2
5	SCREW, 5/16-18 X 3/8 SOCKET HEAD SET	157084	2
6	KEY, 1/4 SQUARE X 1-1/2	157560	1
7	SCREW, 1/2-13 X 1-1/2 HEX FLANGE HEAD, RIGHT HAND	160819	1
8	PLUG, 1/4 NPT BRONZE BREATHER	161209	1
9	FITTING, 1/4 FNPT X 1/4 BARB	162601	1
10	FITTING, 1/4MNPT X 1/4BARB, BRASS	165183	1
11	RING, RET, INT, 65MM	170945	2
12	SEAL, OIL, 30MM X 62MM X 7MM	170946	1
13	BEARING, 30X62X23.8, D-RW BALL	170947	2
14	SHAFT, BLADE, SRX2000	172242	1
15	FLANGE, INNER, 4"	172311	1
16	FLANGE, OUTER, 4:	172312	1
17	HOUSING, BALDE SHAFT, COMP	172343	1
18	PULLEY, 2/3V30 X 1 BORE	172381	1
19	SEAL, END CAP, 62MM X 7MM	172382	1
20	KEY, 3/16 SQR X 3/4	172383	1

FIGURE 12 - SRX-2000, ASSY. ARM, TRANS TENSION P/N 172394



ITEM NO.	DESCRIPTION	PART #	QTY.
1	NUT, HEX, 3/8 -16	101188	1
2	SCREW, HEX HD, 3/8-16 X 4 - 1/4	158604	1
3	ARM, TRANS TENSION	172393	1