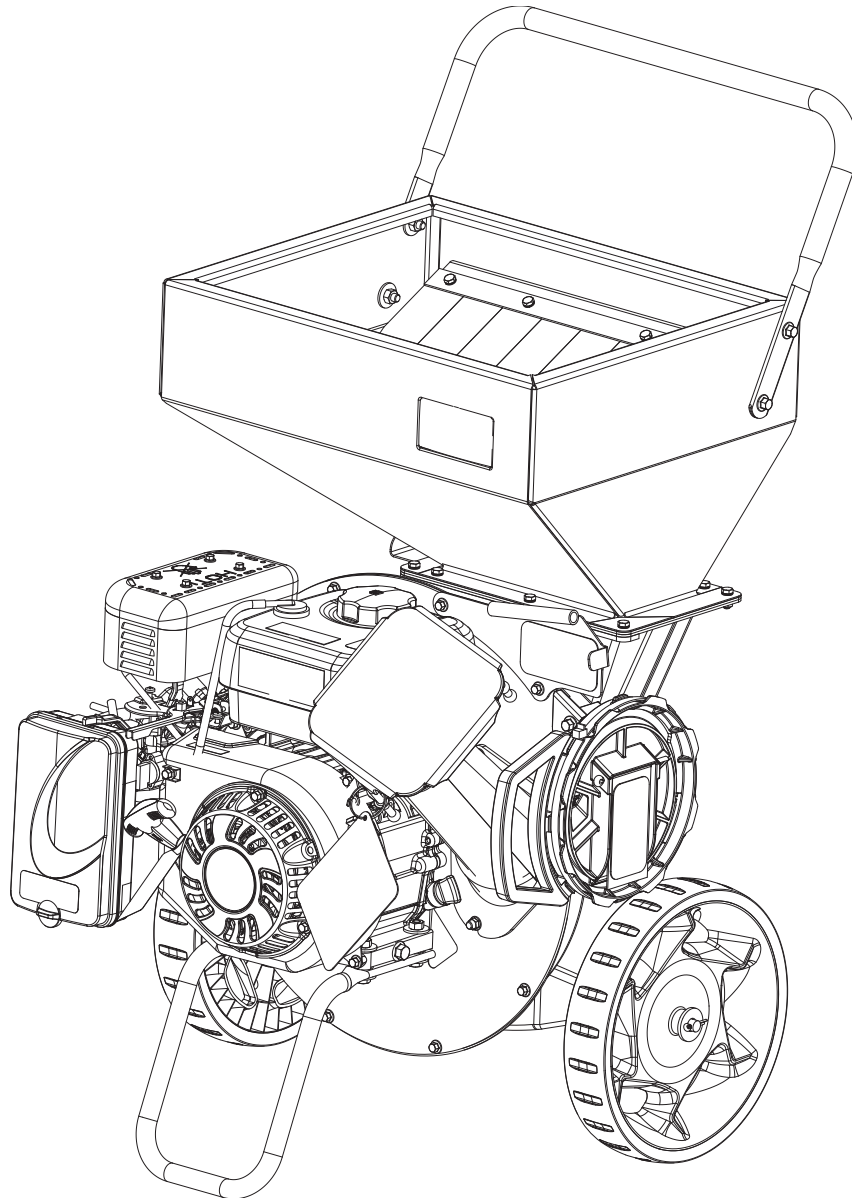


  
**Earthquake**<sup>®</sup>  
POWERED CHORE EQUIPMENT

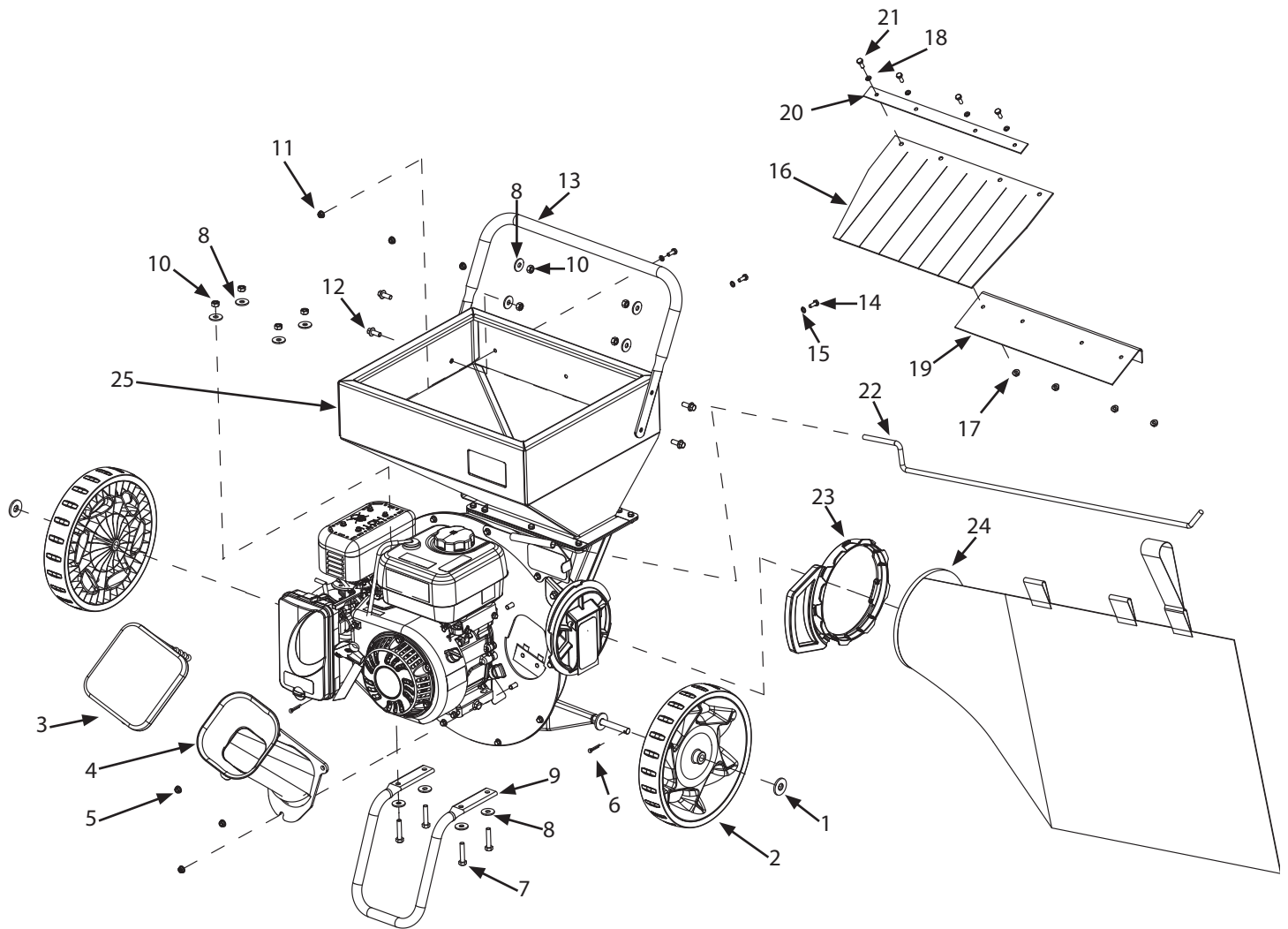
Operator's Manual  
Original Operating Instructions  
**Chipper Shredders**

SN



P/N: 27327  
ECN: 11452  
REV1: 12/15/16  
© 2016 Ardisam, Inc.  
All Rights Reserved

## ILLUSTRATED PARTS BREAKDOWN

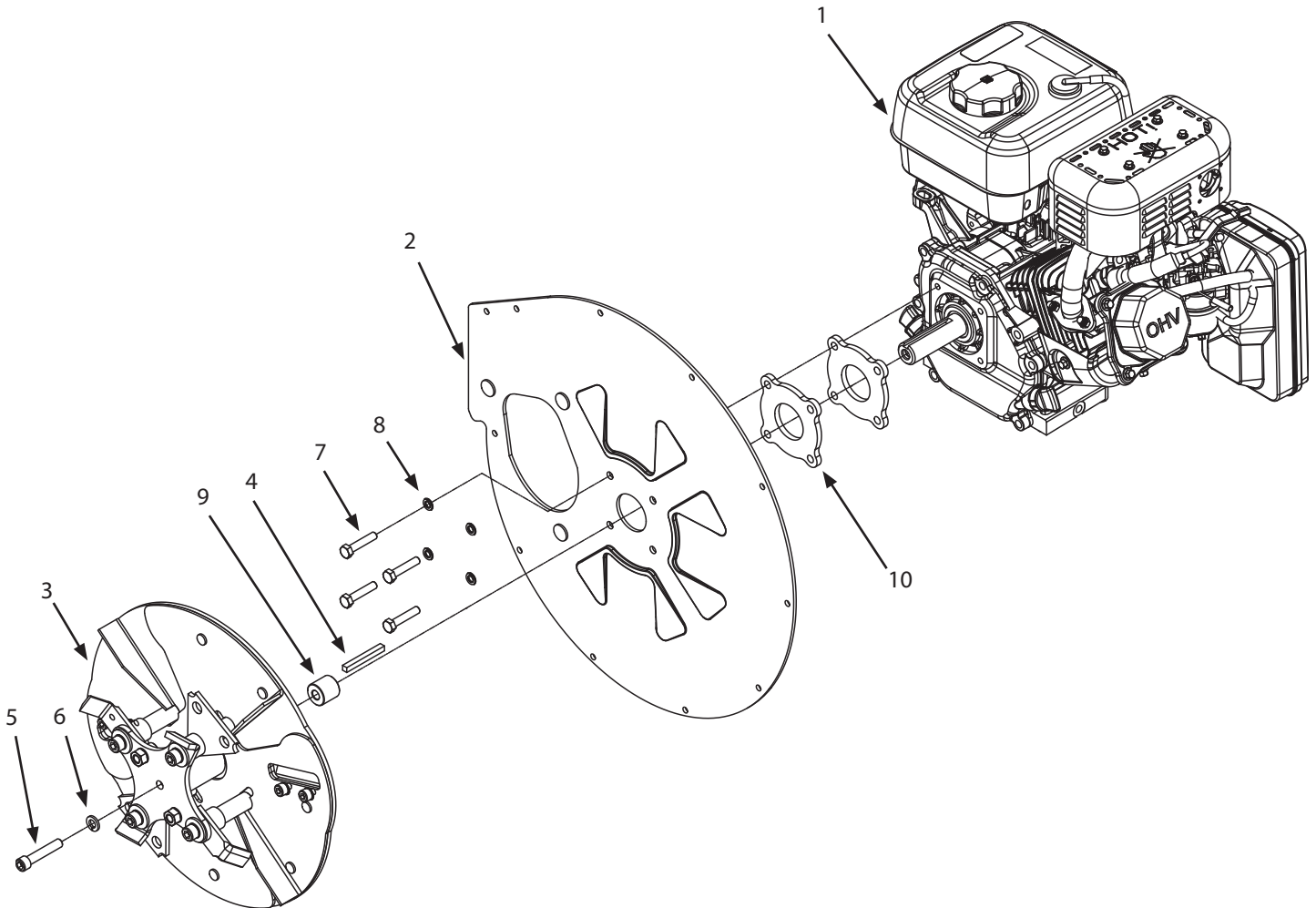


## ILLUSTRATED PARTS BREAKDOWN

ITEM #	PART #	DESCRIPTION	QTY.
1	50175	WASHER 12MM TILLER	2
2	22243	CHIPPER WHEEL 11X 2	2
3	22245	CONE COVER	1
4	21930	WELDMENT CHIPPER CONE	1
5	16400	NUT M8 X 1.25 HSF NYLOC GR8.8 ZN	8
6	22097	COTTER PIN HAIRPIN 2MM X 50MM	2
7	12770	M8 X 1.25 X 40 MM 88 ZN	4
8	20143	WASHER M8 X 16 X 1.6 FLAT ZN	12
9	23680	KICKSTAND CHIPPER RED WITH VINYL	1
10	W1256V0900	NUT M8 X 1.25 HNYLK GR8.8 ZN	8
11	14109	NUT M6 X 1.0 HHFNLYK GR8.8 ZN	3
12	13906	BOLT M8 X 1.25 X 20 SFH GR 8.8 ZN	4
13	23678	HANDLEBAR CHIPPER RED	1
14	670890	BOLT M6 X 1.0 X 16 HH GR8.8 ZN	3
15	18130	WASHER M6 X 1.5 SPRLK ZN	3
16	1095100	GUARD HOPPER 10.25 X 1.00 X 0.10 BLACK	1
17	14109	NUT M6 X 1.0 HHFNLYK GR8.8 ZN	4
18	18130	WASHER M6 X 1.5 SPRLCK ZN	4
19	22091	FLANGE HOPPER GUARD	1
20	22110	RETAINER HOPPER GUARD	1
21	67089	BOLT M6 X 1.0 X 16 HH GR 8.8 ZN	4
22	21942	ROD BAG SUPPORT	1
23	21932	CONNECTOR BAG	1
24	23679	BAG CHIPPER EQ 840MM X 560MM	2
25*	---	CHIPPER ASSEMBLY	---

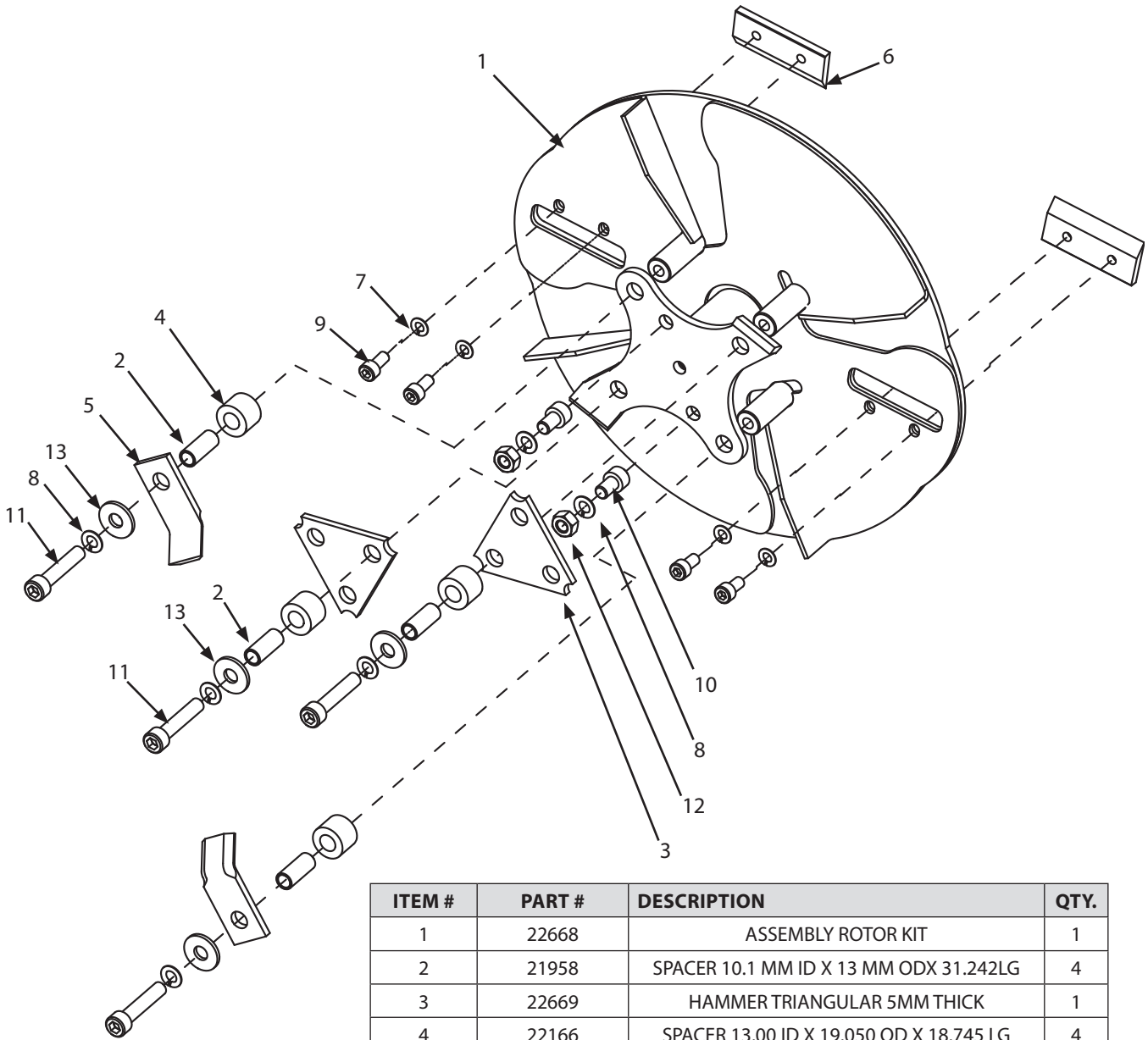
*\*Item shown for illustrative purposes only.*

## ILLUSTRATED PARTS BREAKDOWN - ENGINE AND ROTOR GROUP (MODEL 23666)



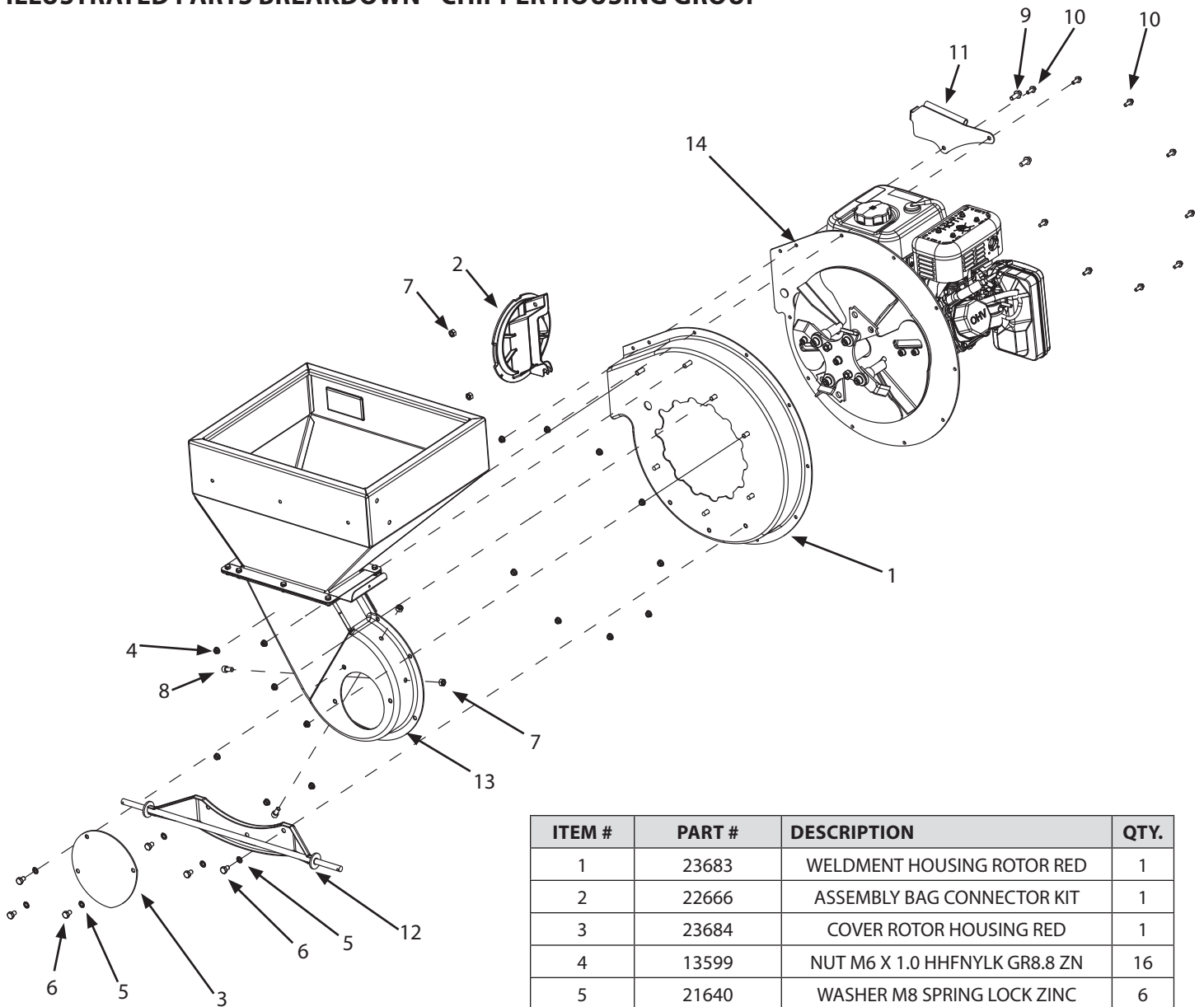
ITEM #	PART #	DESCRIPTION	QTY.
1	13434	ENGINE HRZ 1 IN SHAFT 212CC VPR R210 EPA3	1
2	23685	WELDMENT PLATE ENGINE RED	1
3	21959	ASSEMBLY ROTOR HAMMERS AND KNIVES METRIC	1
4	905100	KEY 1/4 SQ X 2-1/4 PARALLEL PLN	1
5	6516100	BOLT 3/8-24 X 2 SHCS GR8 BLK ZN	1
6	1916965	WASHER LOCK SPRING 3/8	1
7	813	BOLT 5/16-24 X 1-1/4 HH GR8.8 ZN	4
8	21640	WASHER M8 SPRLK ZN	4
9	1713200	SPACER .41 X 1.00 X .95 THK STEEL	1
10	22848	SPACER ENGINE R210	2

## ILLUSTRATED PARTS BREAKDOWN - ROTOR GROUP



ITEM #	PART #	DESCRIPTION	QTY.
1	22668	ASSEMBLY ROTOR KIT	1
2	21958	SPACER 10.1 MM ID X 13 MM ODX 31.242LG	4
3	22669	HAMMER TRIANGULAR 5MM THICK	1
4	22166	SPACER 13.00 ID X 19.050 OD X 18.745 LG	4
5	22670	ASSEMBLY J HAMMER KIT	1
6	21962	KNIFE CHIPPER 76.2 MM LG M8 TAP	2
7	21640	WASHER M8 SPRING LOCK ZINC	4
8	13559	WASHER M10 SPRING LOCK	6
9	21963	BOLT M8-1.25 X 16 SHCS GR8 ZN F-T	4
10	21964	BOLT M10-1.5 X 16 SHCS GR8 ZN F-T	2
11	21965	BOLT M10-1.5 X 50 SHCS GR8 ZN F-T	4
12	W1265V0903	NUT M10 HNYLK GR8.8 ZN	2
13	19905	WASHER M10 X 20MM X 2MM X FLAT ZN	4

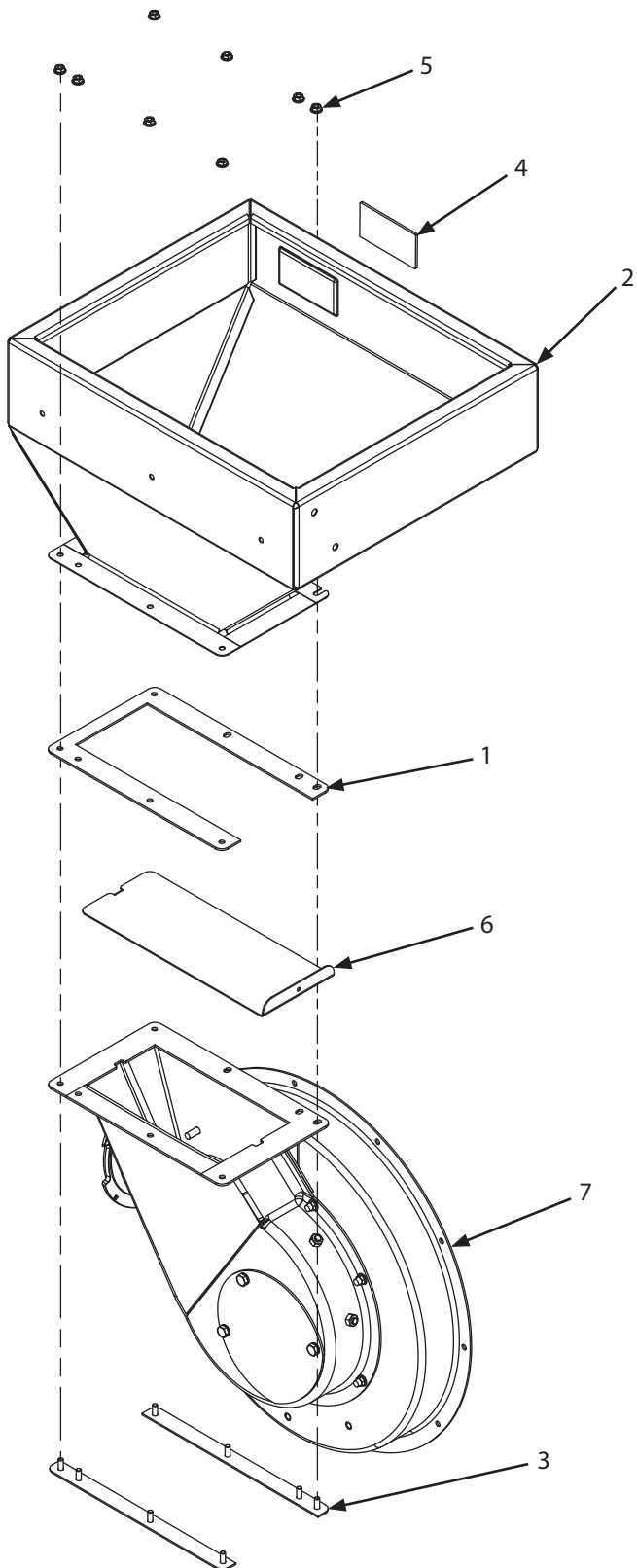
## ILLUSTRATED PARTS BREAKDOWN - CHIPPER HOUSING GROUP



ITEM #	PART #	DESCRIPTION	QTY.
1	23683	WELDMENT HOUSING ROTOR RED	1
2	22666	ASSEMBLY BAG CONNECTOR KIT	1
3	23684	COVER ROTOR HOUSING RED	1
4	13599	NUT M6 X 1.0 HHFNYLK GR8.8 ZN	16
5	21640	WASHER M8 SPRING LOCK ZINC	6
6	3241	BOLT M8 X 1.25 12 HHCS GR8.8 ZN	6
7	W1265V0900	NUT M8 X 1.25 HNYLK GR8.8 ZN	4
8	21963	BOLT M8-1.25 X 16 SHCS GR8 ZN F-T	2
9	22027	BOLT M8-1.25 X 20 SFH GR8.8 ZN F-T	2
10	22025	BOLT M6-1.0 X 16 SFH GR8.8 ZN F-T	9
11	22539	WELDMENT BAG SUPPORT	1
12	21935	WELDMENT AXLE MOUNT CHIPPER	1
13	23682	WELDMENT CHIPPER BACK COVER	1
14*	---	ENGINE AND ROTOR GROUP	---

\*Item shown for illustrative purposes only.

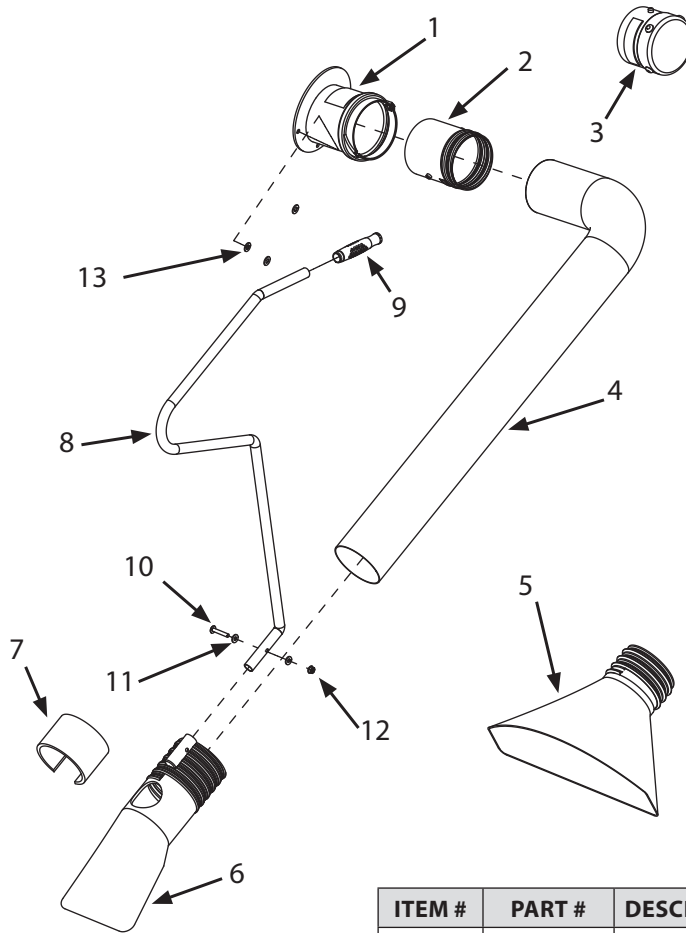
## ILLUSTRATED PARTS BREAKDOWN - HOPPER GROUP



ITEM #	PART #	DESCRIPTION	QTY.
1	23686	SHIM HOPPER RED	1
2	22557	WELDMENT CHIPPER HOPPER	1
3	27077	STUD PLATE	2
4	23688	BADGE EQ BRANDING	1
5	27308	NUT M6 X 1.0 HFNYLK GR8.8 STNLYS	8
6	23687	DAMPER VACUUM RED	1
7*	—	CHIPPER HOUSING GROUP	—

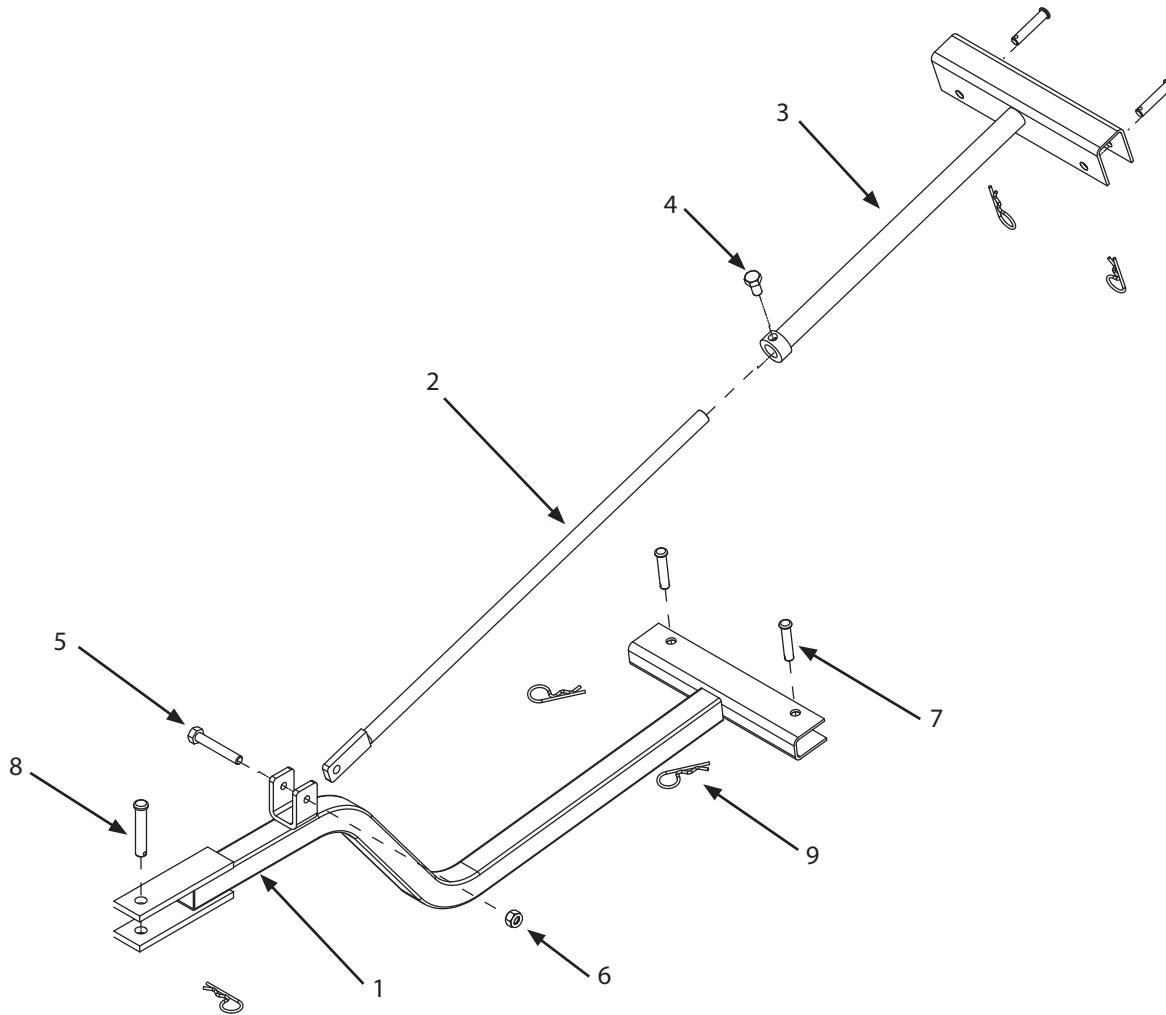
\*Item shown for illustrative purposes only.

## ILLUSTRATED PARTS BREAKDOWN - VACUUM KIT (OPTIONAL ACCESSORY) MODEL NO. 22518



ITEM #	PART #	DESCRIPTION	QTY.
1	1021100	ADAPTER 4IN VAC COL HOSE	1
2	1023100	COUPLER VAC COL HOSE TO ADAPTER 2C 3	1
3	1025100	CAP PLUG 4IN VOL HOSE 2C HOSE 2C 3C 5C	1
4	1035100	HOSE VAC COL 4.00DIA X 10 FT LG 5C	1
5	1027100	LEAF TRAY 2C 3C 5C VACUUM COL	1
6	1030100	NOZZLE VAC COL FOR 5C CHIPPERS	1
7	1024100	RING PLASTIC 5IN DIA 3IN LG NOTCHED	1
8	1026100	HANDLE VAC COL 0.75IN DIA TUBE	1
9	1028100	GRIP HANDLE 10IP BLACK VINYL 3/4	1
10	6041612	BOLT 1/4-20 X 1-1/2 PTH ZN	1
11	1921319	WASHER 1/4 0.27 IDX0.620DX.05THK	2
12	1960294	NUT 1/4-20 HSF BW BLK ZN	1
13	1919326	WASHER-0.312 0.34ID X 0.75ODX 0.06THK	3

## ILLUSTRATED PARTS BREAKDOWN - TOW BAR KIT (OPTIONAL ACCESSORY) MODEL NO. 1692327



ITEM #	PART #	DESCRIPTION	QTY.
1	1713352	BENT ARM ASSEMBLY, TOW BAR	1
2	1713414	ROD ASSEMBLY-TOW VAR SWING ARM	1
3	1713357	ROD HOLDER ASSY-TOW BAR	1
4	1925205	BOLT 5/16-18 5/8 HHCS GR5	1
5	1423B	BOLT 5/16-18 X 2 HHCS GR5 BLK ZN	1
6	1919438	NUT 5/16-18 NYLOCK BLK ZN	1
7	1710726	PIN-CLEVIS .308DIA X 1.500LG .43DIA	4
8	118053	PIN-RND HD DRILLED .375 X 2.000	1
9	1918196	PIN-QUICK .091DIA WIRE 1.875LG	5