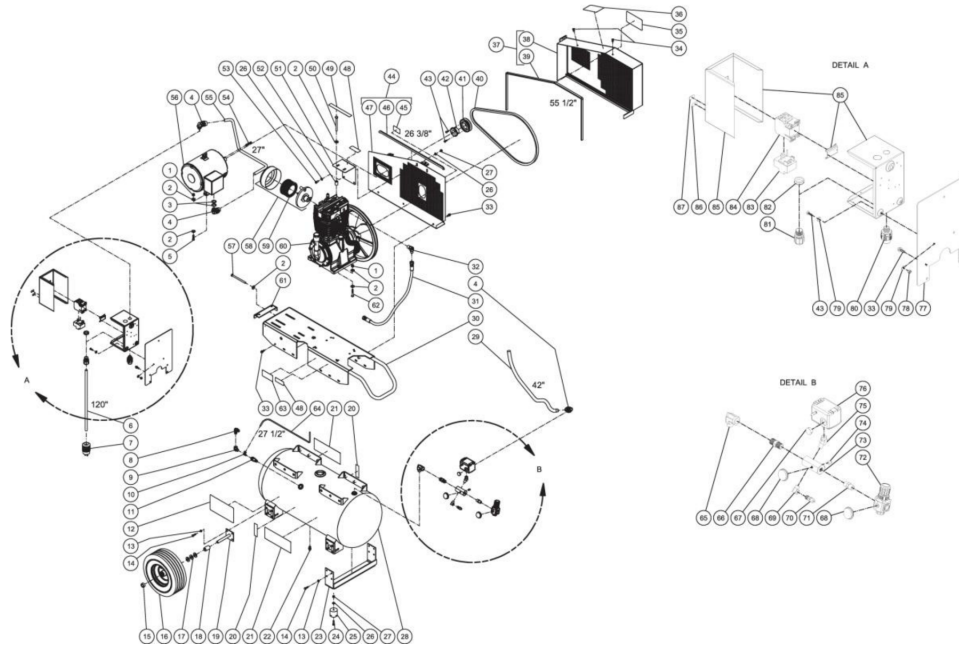




AM2-P305-30M / AM2-P305-30M (sn:0-99999999)

## TANK ASSEMBLY



Id	Item #	Description	Quantity	Rev	Comments
1	30-0159	LOCKNUT	4		
2	28-0023	FLATWASHER	19		
3	32-0814	REDUCER WASHER	2		
4	32-0254	CONDUIT ELBOW	3		
5	27-0118	BOLT	4		
6	32-0025	CORD	1		
7	32-0118	PLUG	1		
8	24-0092	ELBOW	1		
9	24-0042	ELBOW	1		
10	23-0316	ELBOW	1		
11	22-0334	CHECK VALVE	1		
12	N/A Sep.	DECAL- DANGER/WARNING/CAUTION (SEE 34-9016)	1		
13	29-0007	LOCKWASHER	16		
14	27-0067	BOLT	16		
15	33-0351	COLLAR	2		
16	14-0006	WHEEL	2		

<b>Id</b>	<b>Item #</b>	<b>Description</b>	<b>Quantity</b>	<b>Rev</b>	<b>Comments</b>
17	28-0008	WASHER	6		
18	62-0176	AXLE SPACER	2		
19	20-0670A01	AXLE STUB BRACKET	2		
20	N/A Sep.	DECAL- TANK DRAIN (SEE 34-9016)	2		
21	34-0828	DECAL- MI-T-M AIR COMPRESSOR	2		
22	23-0312	PETCOCK	1		
23	20-0671A01	SUPPORT FOOT BRACKET	1		
24	27-0068	BOLT	6		
25	14-0008	ISOLATOR	2		
26	28-0003	WASHER	6		
27	30-0157	LOCKNUT	8		
28	N/A	AIR TANK ASSEMBLY	1		
29	32-0253	CONDUIT FLEX *(FOUR FEET REQUIRED)	1		
30	5-0198A01	BASEPLATE	1		
31	15-0243	HOSE	1		
32	24-0074	ELBOW	1		
33	27-9524	BOLT	19		
34	33-0197	FASTENER	2		
35	N/A Sep.	DECAL- MAINTENANCE INSTRUCTIONS (SEE 34-9016)	1		
36	N/A Sep.	DECAL- OPERATION INSTRUCTIONS (SEE 34-9016)	1		
37	854-0067	BELTGUARD COVER ASSEMBLY (INC. 81, 86)	1		
38	N/A Sep.	BELTGUARD FRONT (SEE 854-0067)	1		
39	33-0020	EDGING *(FIVE FEET REQUIRED)	1		
40	11-0066	DRIVE BELT	1		
41	10-0031	SHEAVE	1		
42	9-0010	BUSHING	1		
43	27-0015	BOLT	5		
44	854-0066	BELTGUARD BACK ASSEMBLY (INC. 45-47)	1		
45	N/A Sep.	DECAL- WARNING: BELTGUARD IN PLACE (SEE 34-9016)	1		
46	33-0020	EDGING *(THREE FEET REQUIRED)	1		
47	N/A Sep.	BELTGUARD BACK (SEE 854-0066)	1		
48	N/A Sep.	DECAL- WARNING: RISK OF BURNS (SEE 34-9016)	2		
49	N/A Sep.	DECAL- CHECK OIL TAPE (SEE 34-9016)	1		
50	27-8071	BOLT	2		
51	13-0189A01	BELTGUARD STABILIZER BRACKET	1		
52	33-0425	SPACER	2		
53	27-0066	BOLT	2		
54	43-0078	KEY	1		
55	32-0253	CONDUIT *(THREE FEET REQUIRED)	1		

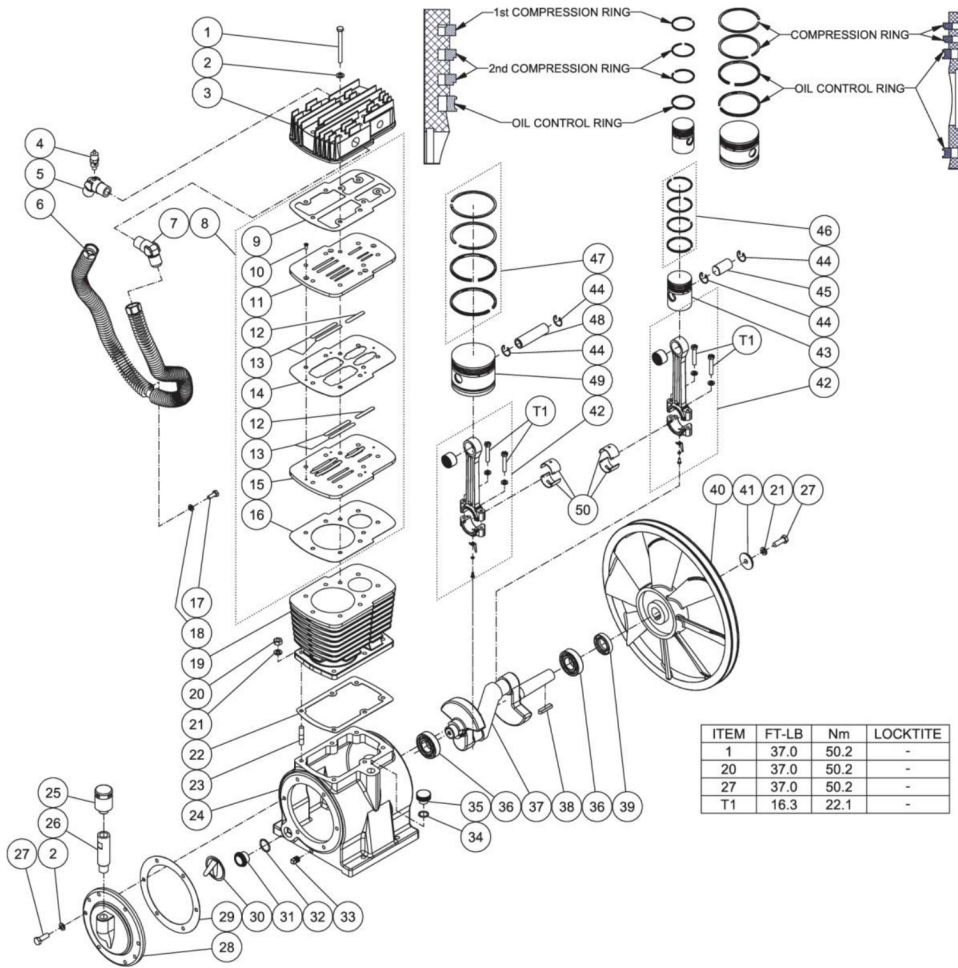
Id	Item #	Description	Quantity	Rev	Comments
56	2-0151	MOTOR- 5.0 HP	1		
57	27-0133	BOLT	1		
58	19-0225	FILTER CANISTER (INC. 59)	1		
59	19-0226	FILTER	1		
60	3-0298	COMPRESSOR PUMP	1		
61	20-0461A01	BELT TENSIONER PLATE	1		
62	27-0121	BOLT	4		
63	N/A	DECAL- DATA PLATE	1		
64	54-0034	TUBE *(THREE FEET REQUIRED)	1		
65	24-0006	ELBOW	1		
66	24-0031	NIPPLE	1		
67	39-0014	PLUG	1		
68	22-0271	PRESSURE GAUGE	2		
69	23-0014	ELBOW	1		
70	22-0267	PRESSURE RELIEF VALVE	1		
71	24-0010	NIPPLE	2		
72	22-0231	ADJUSTABLE REGULATOR	1		
73	24-0266	MANIFOLD	1		
74	24-0082	PLUG	1		
75	24-0278	ELBOW	1		
76	22-0277	PRESSURE SWITCH	1		
77	13-0164A01	ELECTRIC PLATE	1		
78	30-0155	LOCKNUT	3		
79	28-0002	WASHER	6		
80	32-0255	CONDUIT FITTING	1		
81	9-0046	CORD RELIEF	1		
82	32-0292	LOCKNUT	1		
83	32-0482	OVERLOAD RELAY	1		
84	32-0235	CONTACTOR	1		
85	32-0890	ELECTRICAL BOX	1		
86	34-0965	DECAL- 3 PHASE (SEE 34-9016)	1		
87	34-0895	DECAL- 230 VOLT (SEE 34-9016)	1		
	34-9016	DECAL KIT (INC. 12, 20, 35-36, 45, 48-49, 86-87)			

\*MUST ORDER IN ONE FOOT LENGTHS



AM2-P305-30M / AM2-P305-30M (sn:0-99999999)

## PUMP ASSEMBLY



Id	Item #	Description	Quantity	Rev	Comments
1	27-8043	BOLT	9		
2	28-1059	COPPER WASHER	15		
3	46-1272	CYLINDER HEAD	1		
4	22-0362	LP SAFETY VALVE	1		
5	24-0304	65° OUTLET ELBOW W/PORT	1		
6	46-1273	INTERCOOLER TUBE	1		
7	24-0305	65° OUTLET ELBOW	1		
8	70-0473	KIT - VALVE PLATE ASSY - (INC. 9-16)	1		
9	N/A	GASKET - VALVE PLATE (UPPER)	1		
10	N/A	SCREW	4		

Id	Item #	Description	Quantity	Rev	Comments
11	N/A	UPPER VALVE SEAT	1		
12	N/A	HP VALVE REED	2		
13	N/A	LP VALVE REED	4		
14	N/A	GASKET - VALVE PLATE (MIDDLE)	1		
15	N/A	LOWER VALVE SEAT	1		
16	N/A	GASKET - VALVE PLATE (LOWER)	1		
17	27-8032	BOLT	1		
18	29-0054	LOCKWASHER	1		
19	46-1274	CYLINDER	1		
20	30-7203	NUT	6		
21	29-0055	LOCKWASHER	7		
22	N/A	GASKET - CYLINDER	1		
23	27-8991	STUD	6		
24	46-1275	PUMP CRANKCASE	1		
25	46-1276	BREATHER ASSY	1		
26	46-1277	BREATHER PIPE	1		
27	27-8061	BOLT	7		
28	46-1278	REAR CRANKCASE COVER	1		
29	N/A	GASKET - REAR CRANKCASE COVER	1		
30	46-1279	OBSTRUCT OIL NET	1		
31	46-1280	OIL LEVEL SIGHT GLASS	1		
32	25-0150	O-RING	1		
33	24-0009	PLUG	1		
34	25-0160	O-RING	1		
35	46-1281	OIL FILL CAP	1		
36	48-0024	BALL BEARING	2		
37	46-1282	PUMP CRANKSHAFT	1		
38	43-0125	KEY	1		
39	26-0302	OIL SEAL	1		
40	10-0139	FLYWHEEL	1		
41	N/A	WASHER	1		
42	70-0468	KIT - HP CONNECTING ROD ASSEMBLY (INC. 49)	2		
43	46-1283	PISTON	1		
44	46-1284	PISTON SNAP RING	4		
45	46-1285	PISTON PIN	1		
46	70-0469	KIT - HP PISTON RING	1		
47	70-0470	KIT - LP PISTON RING	1		
48	46-1286	PISTON PIN	1		
49	46-1287	PISTON	1		

<b>Id</b>	<b>Item #</b>	<b>Description</b>	<b>Quantity</b>	<b>Rev</b>	<b>Comments</b>
50	46-1288	CONNECTING ROD BUSHING	4		
	70-0472	KIT - PUMP GASKET - (INC. 9, 14, 16, 22, 29)	1		