



RIDE-ON TERMINATORS

T-5500 PRO COMPLETE MANUAL

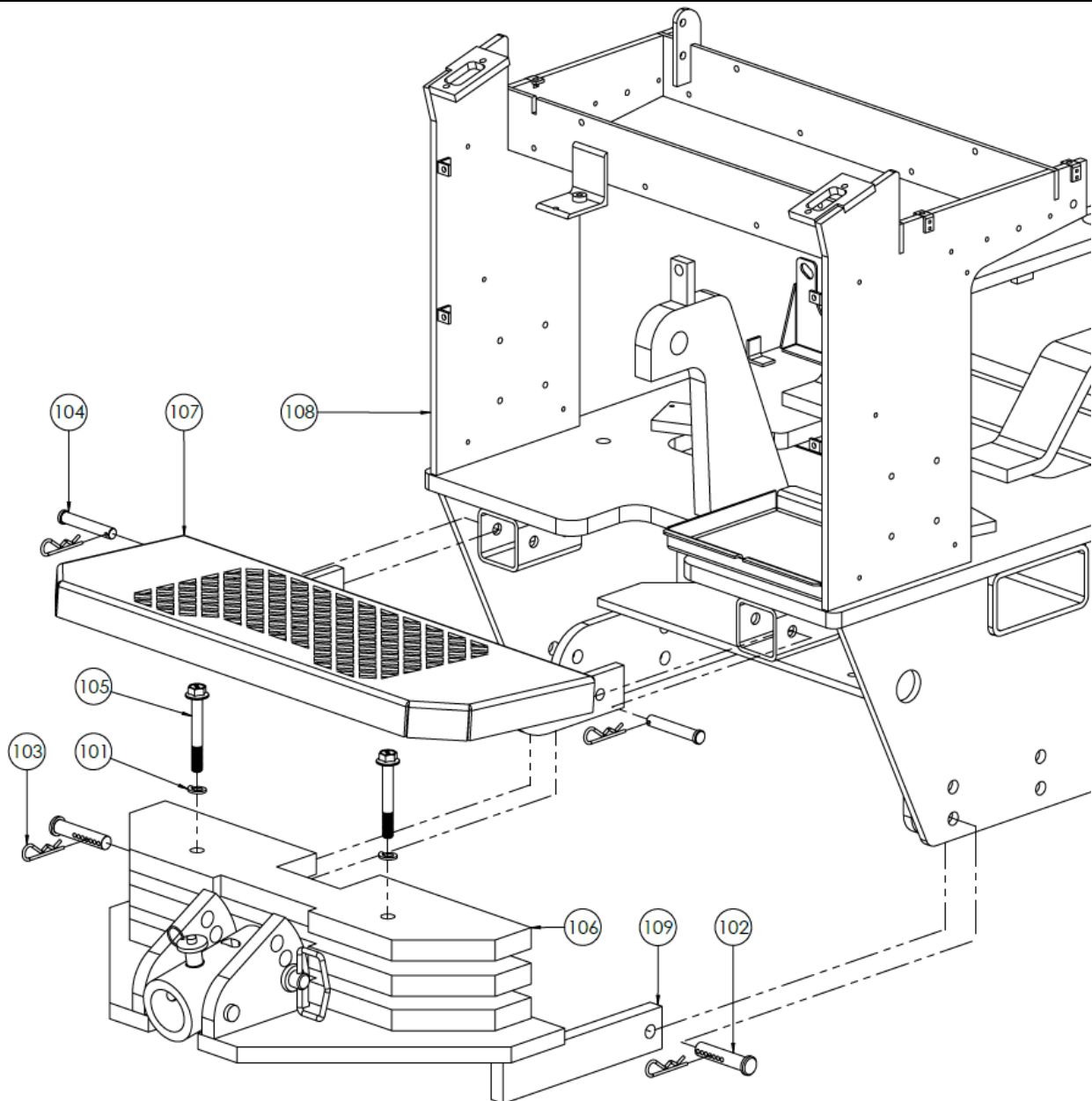


T5500 PRO Terminator



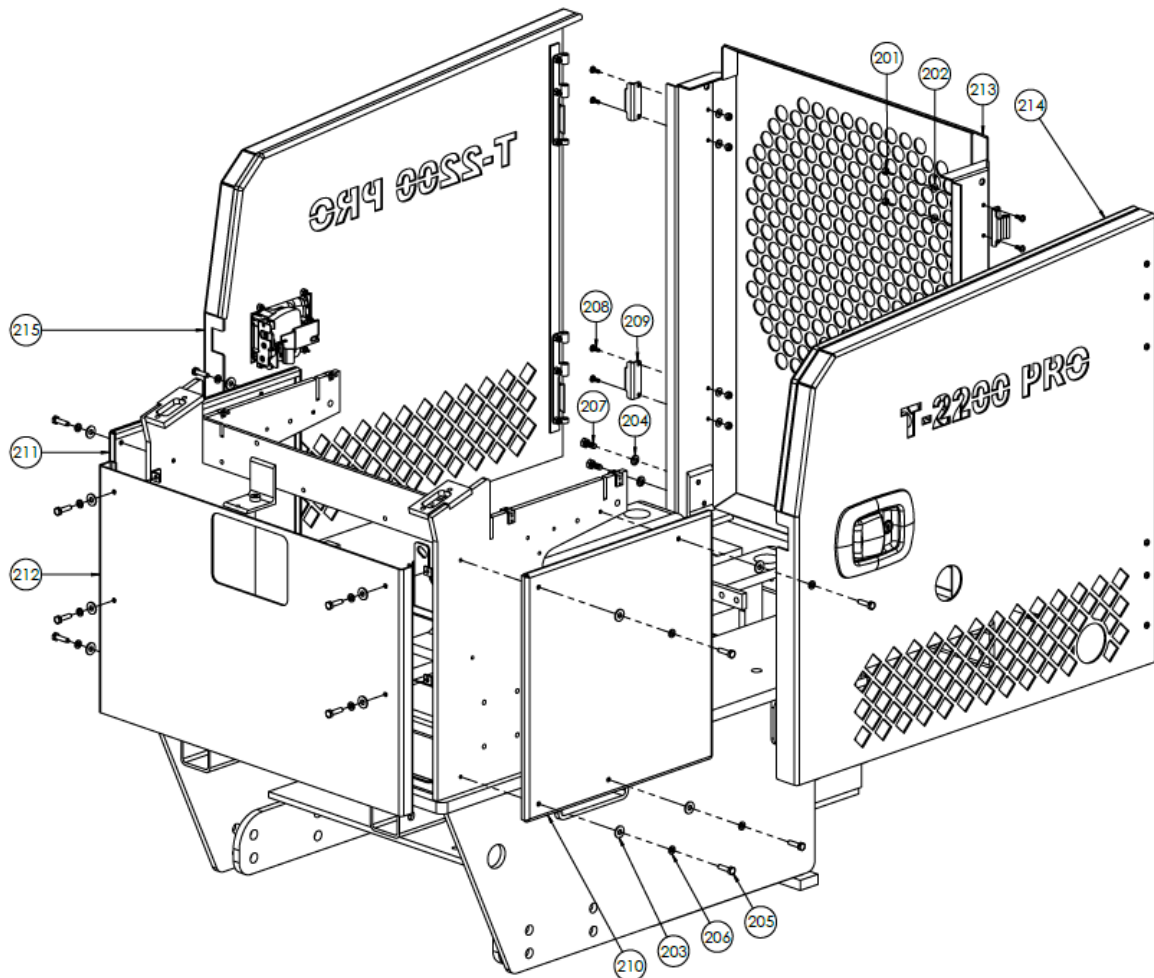
Jaw & Footrest Breakdown

Item No.	Part Number	Description	Qty.
101	11-0041	Lock Washer, 1/2"	2
102	11-0045	Adjustable Clevis Pin, 5/8" x 3" L	2
103	11-0052	Hitch Pin	4
104	11-0236	Clevis Pin, 1/2" x 3" L	2
105	12-0046	Flange Head Cap Screw, M12-1.75 x 90mm	2
106	51-1070	Uni-Frame Pivoting Jaw Weight	3
107	53-0117	PRO Footrest	1
108	53-0295	T2200PRO Frame Assembly	1
109	96-0386	Pivoting Jaw Assembly	1



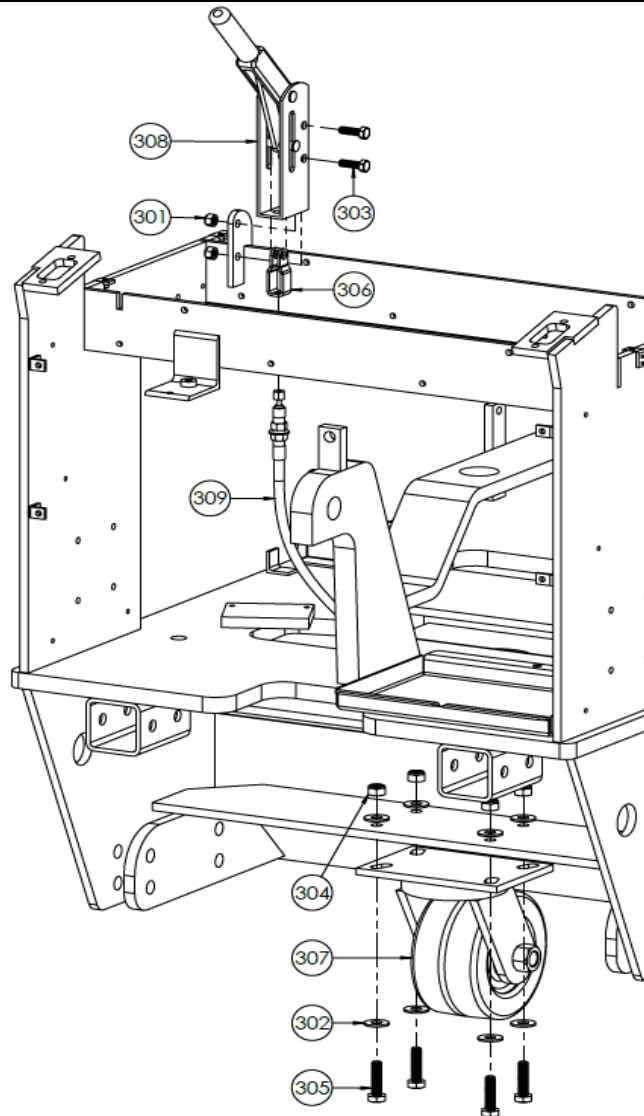
Doors & Panels Breakdown

Item No.	Part Number	Description	Qty.
201	11-0023	Nyloc Nut, #10-24	8
202	11-0030	SAE Flat Washer, #10	8
203	11-0033	USS Flat Washer, 1/4"	12
204	11-0040	Lock Washer, 5/16"	4
205	11-0059	Hex Head Cap Screw, 1/4"-20 x 1"	12
206	11-0069	Lock Washer, 1/4"	12
207	11-0118	Hex Head Cap Screw, 5/16"-18 x 3/4"	4
208	11-0250-08	Pan Head Philips Screw, #10-24 x 1/2"	8
209	13-0232	Concealed Hinge	4
210	53-0135	PRO Left Console Panel	1
211	53-0136	PRO Right Console Panel	1
212	53-0138	PRO Front Console Panel	1
213	53-0319	PRO Rear Cover	1
214	96-0290	PRO Left Door Assembly	1
215	96-0291	PRO Right Door Assembly	1



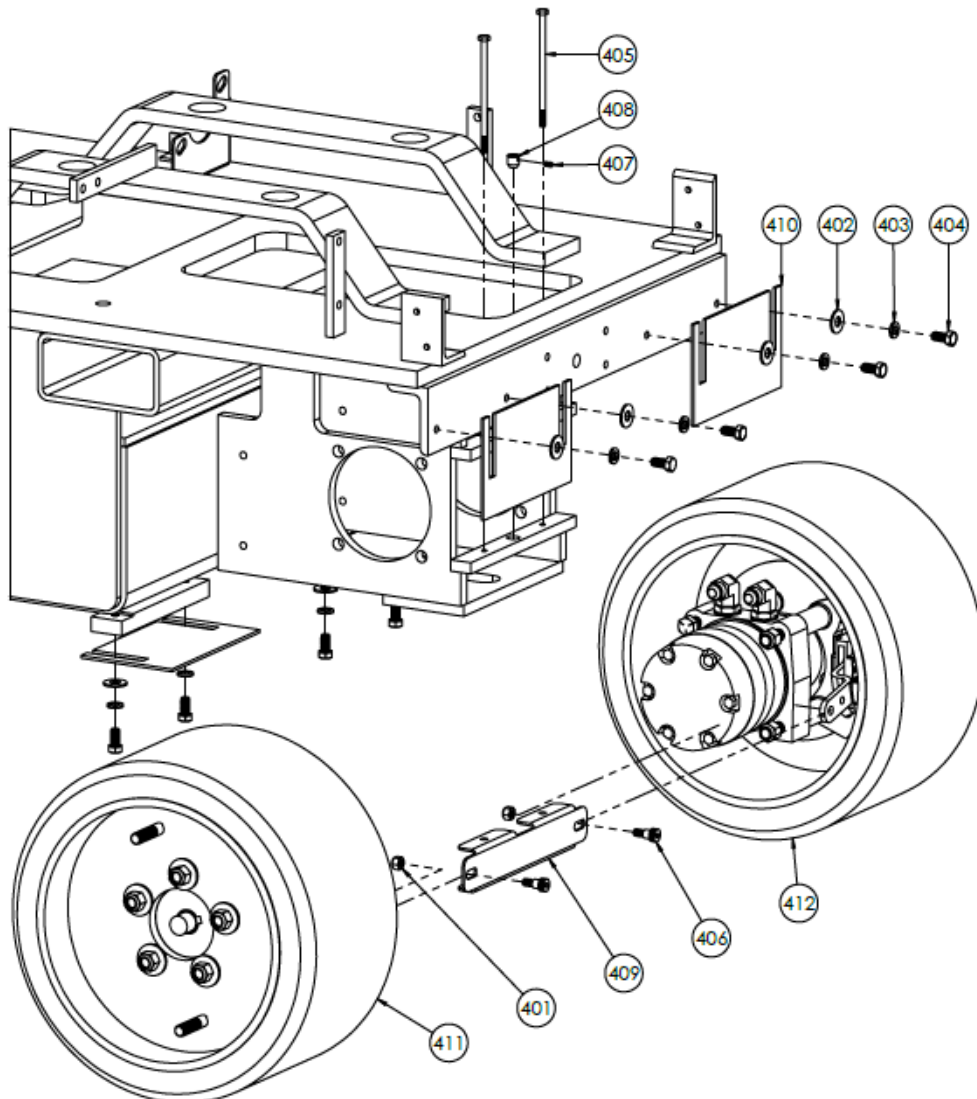
Front Wheels & Brake Breakdown

Item No.	Part Number	Description	Qty.
301	11-0025	Nyloc Nut, 5/16"-18	2
302	11-0035	USS Flat Washer, 3/8"	8
303	11-0132	Hex Head Cap Screw, 5/16"-18 x 1"	2
304	12-0021-10	Nyloc Nut, M10-1.5	4
305	12-0034-40	Hex Head Cap Screw, M10-1.5 x 40mm	4
306	13-0027	Brake Cable Clevis	1
307	13-0041	Caster Wheel Replacement	1
308	13-0050-1	Modified Brake Lever	1
309	13-0302	PRO Brake Cable	1



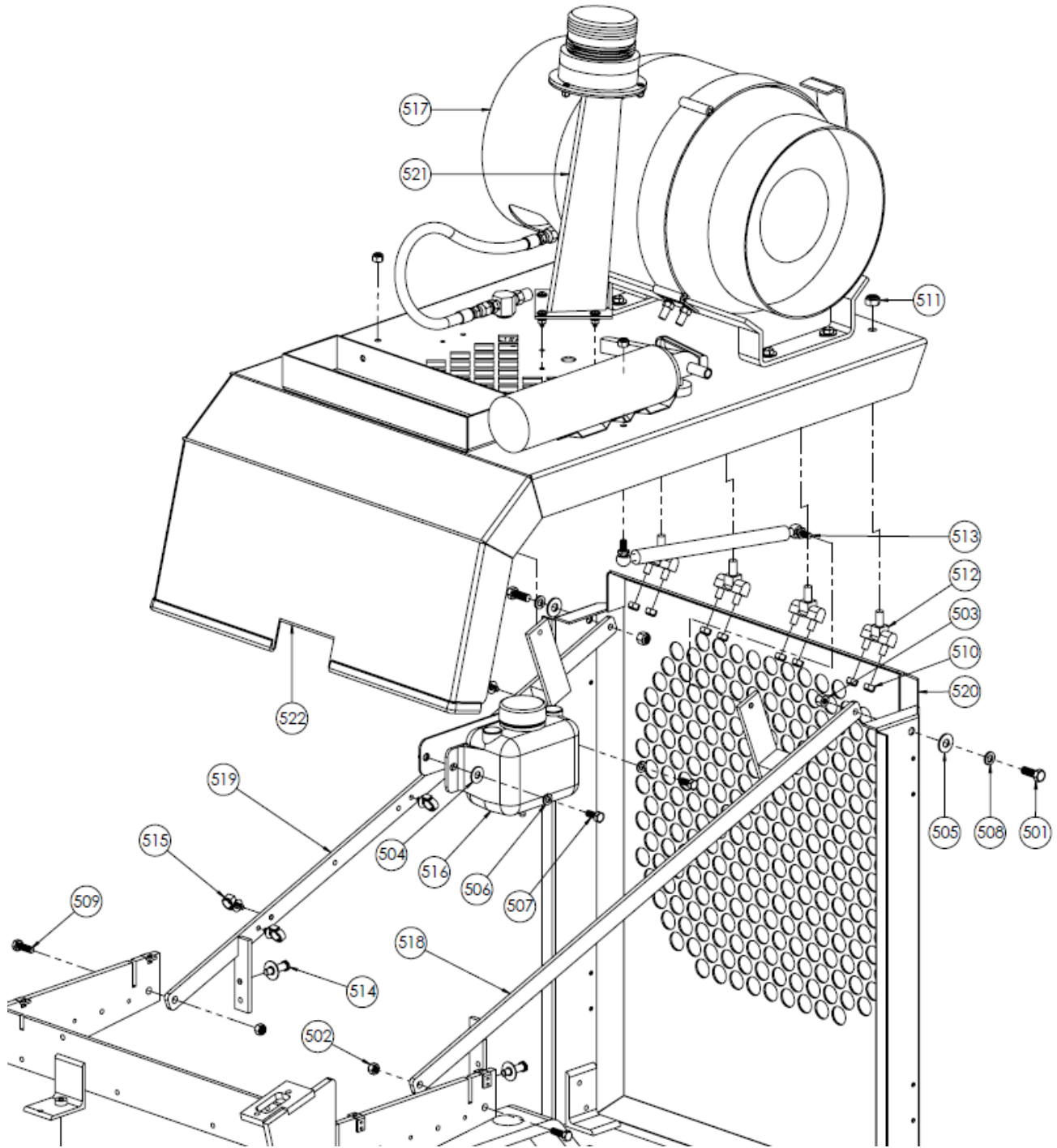
Rear Wheels Breakdown

Item No.	Part Number	Description	Qty.
401	11-0025	Nyloc Nut, 5/16"-18	2
402	11-0035	USS Flat Washer, 3/8"	8
403	11-0129	Lock Washer, 3/8"	8
404	11-0130	Hex Head Cap Screw, 3/8"-16 x 3/4"	8
405	11-0279-88	Hex Head Cap Screw, 1/4"-20 x 5 1/2"	2
406	11-0287	Socket Head Shoulder Screw, 3/8" x 3/8", 5/16"-18	2
407	11-0353	Set Screw, #10-32 x 3/8"	1
408	51-0513	Cable Clamp	1
409	53-0134	Brake Actuator	1
410	81-0091	Wheel Scraper Blade, 7.5" x 4.5"	4
411	96-0395	PRO Left Wheel Assembly	1
412	96-0396	PRO Right Wheel Assembly	1



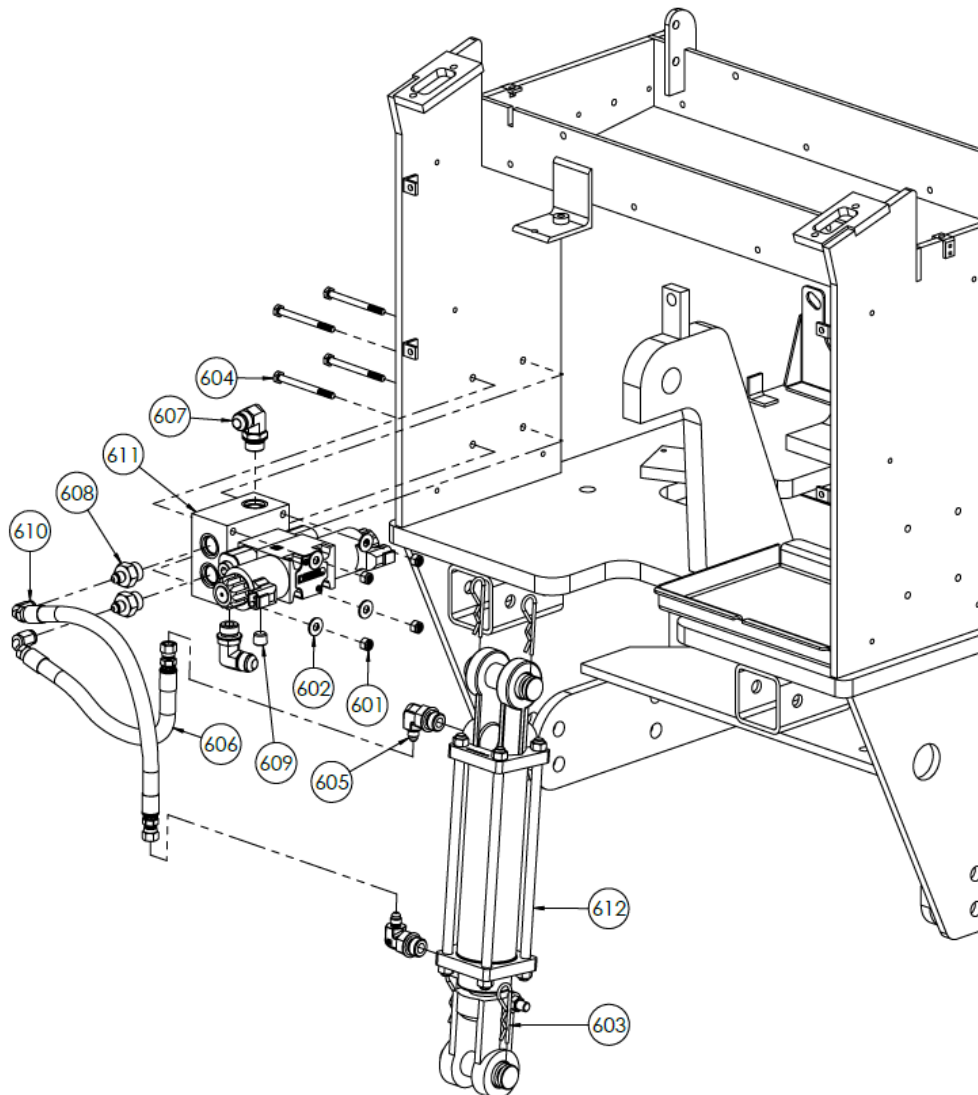
Top Cover & Support Breakdown

Item No.	Part Number	Description	Qty.
501	11-0007	Hex Head Cap Screw, 3/8"-16 x 1"	2
502	11-0025	Nyloc Nut, 5/16"-18	4
503	11-0026	Nyloc Nut, 3/8"-16	2
504	11-0034	USS Flat Washer, 5/16"	2
505	11-0035	USS Flat Washer, 3/8"	2
506	11-0040	Lock Washer, 5/16"	2
507	11-0118	Hex Head Cap Screw, 5/16"-18 x 3/4"	2
508	11-0129	Lock Washer, 3/8"	2
509	11-0132	Hex Head Cap Screw, 5/16"-18 x 1"	2
510	12-0021-08	Nyloc Nut, M8-1.25	8
511	12-0021-10	Nyloc Nut, M10-1.5	4
512	13-0234	In-line Hinge	4
513	13-0256	Gas Spring	2
514	13-0341	Striker Bolt	2
515	13-0374	Wire Clip	4
516	43-0196-10	Coolant Overflow Tank	1
517	44-0046	Propane Tank, #20	1
518	53-0314	PRO Left Support Member	1
519	53-0315	PRO Right Support Member	1
520	53-0319	PRO Rear Cover	1
521	96-0329	Strobe Light Assembly Kit	1
522	96-0394	PRO Top Cover Assembly	1



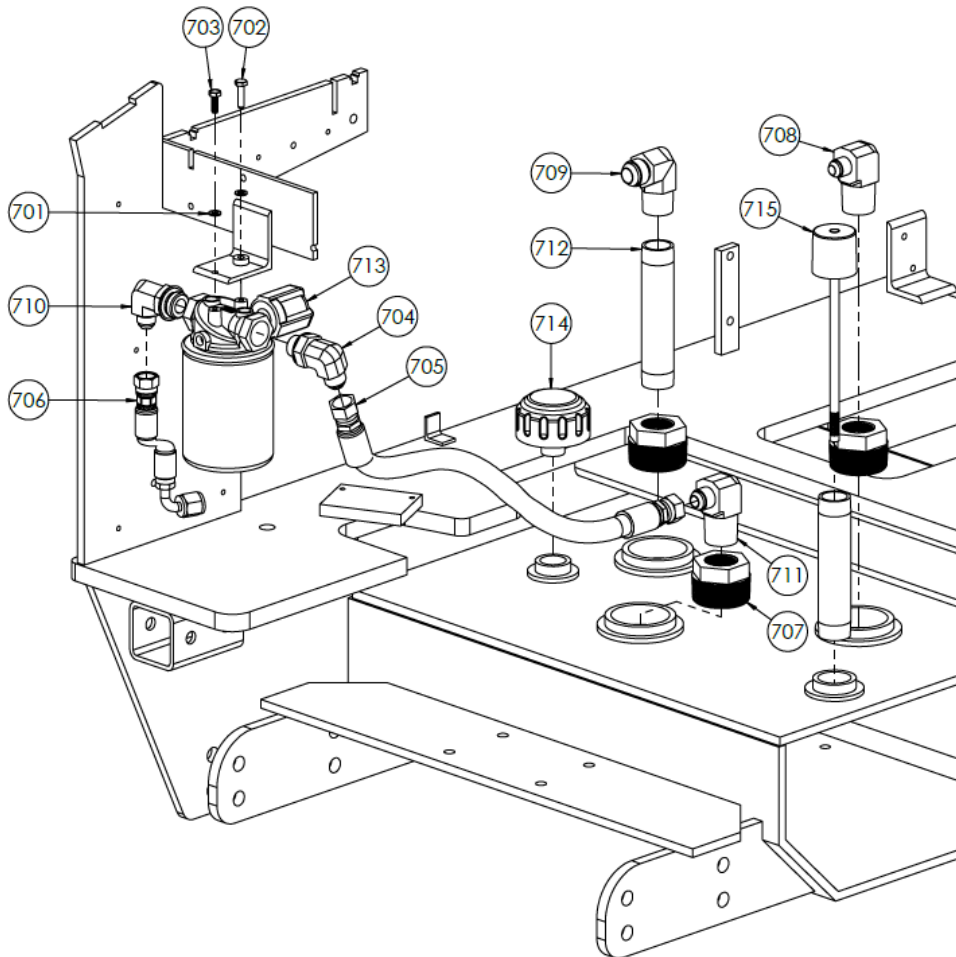
Cylinder & Valve Breakdown

Item No.	Part Number	Description	Qty.
601	11-0024	Nyloc Nut, 1/4"-20	4
602	11-0033	USS Flat Washer, 1/4"	4
603	11-0052	Hitch Pin	4
604	11-0279-48	Hex Head Cap Screw, 1/4"-20 x 3"	4
605	31-0043	Hydraulic Fitting, 90 deg 4 JIC – 8 SAE	2
606	31-0088	Hose Assembly, PRO, Valve to Cylinder 1	1
607	31-0094	Hydraulic Fitting, 90 deg 8 JIC – 8 SAE	2
608	31-0163	Hydraulic Fitting, Flow Reducer 4 JIC – 8 SAE	2
609	31-0188	Hydraulic Fitting, 1/4" NPTF Plug	1
610	31-0231	Hose Assembly, PRO, Valve to Cylinder 2	1
611	32-0023	3-Position Solenoid Valve	1
612	34-0008	Front Hydraulic Ram	1



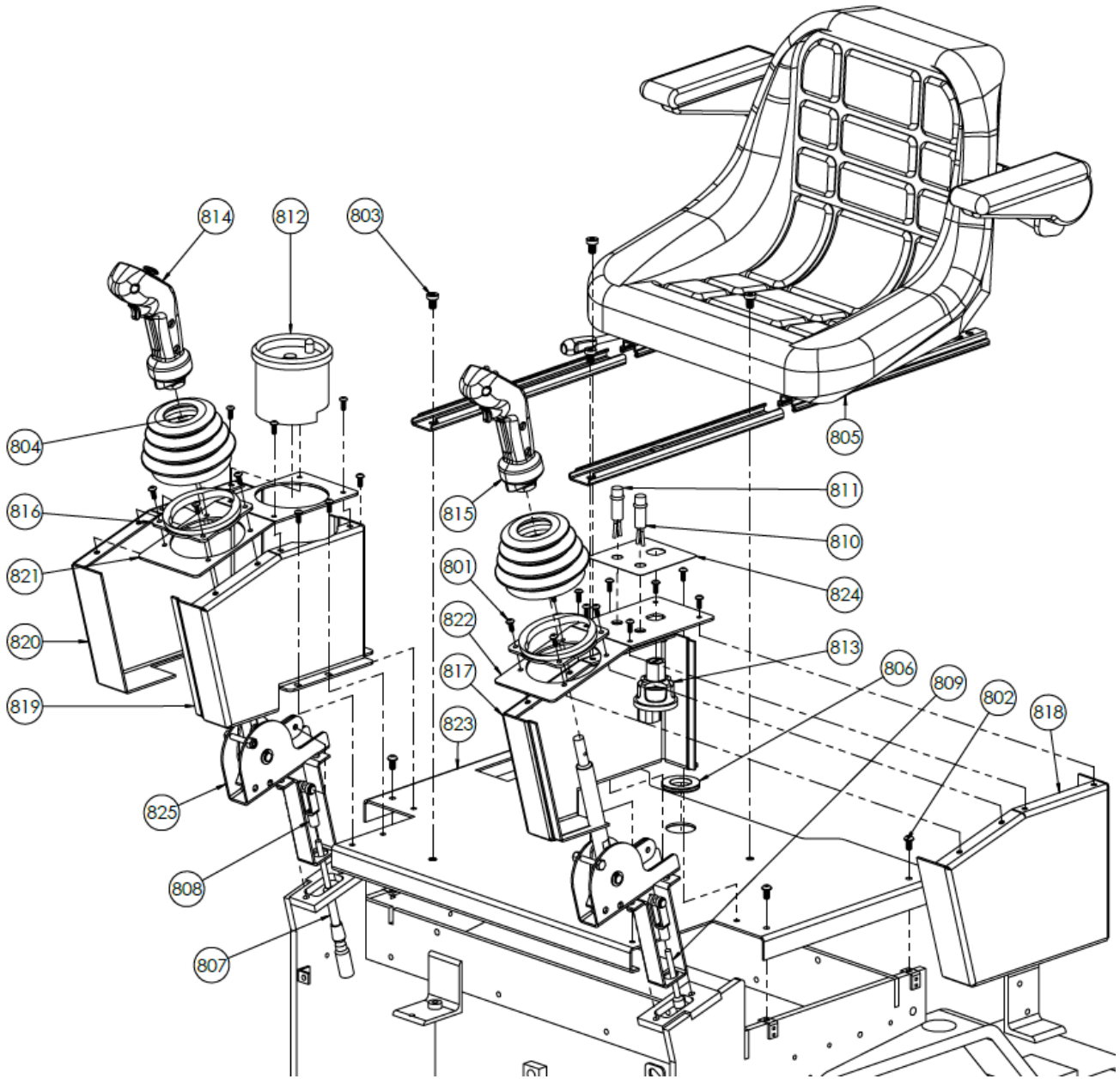
Filter & Fittings Breakdown

Item No.	Part Number	Description	Qty.
701	11-0069	Lock Washer, 1/4"	2
702	11-0121	Hex Head Cap Screw, 1/4"-20 x 1"	1
703	11-0133	Hex Head Cap Screw, 1/4"-20 x 3/4"	1
704	31-0052	Hydraulic Fitting, 90 deg 10 JIC – 12 SAE	1
705	31-0084	Hose Assembly, PRO, Return to Rank 2	1
706	31-0090	Hose Assembly, PRO, Valve to Filter	1
707	31-0124	Threaded Tank Fitting, 2" Male NPT	3
708	31-0127	Hydraulic Fitting, 90 deg 8 JIC – 1" NPTF Male	1
709	31-0128	Hydraulic Fitting, 90 deg 12 JIC – 1" NPTF Male	1
710	31-0162	Hydraulic Fitting, 90 deg 8 JIC – 12 SAE	1
711	31-0191	Hydraulic Fitting, 90 deg 10 JIC – 1" NPT Male	1
712	35-0004	Pipe Nipple, 1" NPT x 6" L	2
713	35-0037	Hydraulic Oil Filter Replacement	1
714	35-0052	Hydraulic Breather Cap	1
715	53-0159	PRO/XME Dip Stick	1



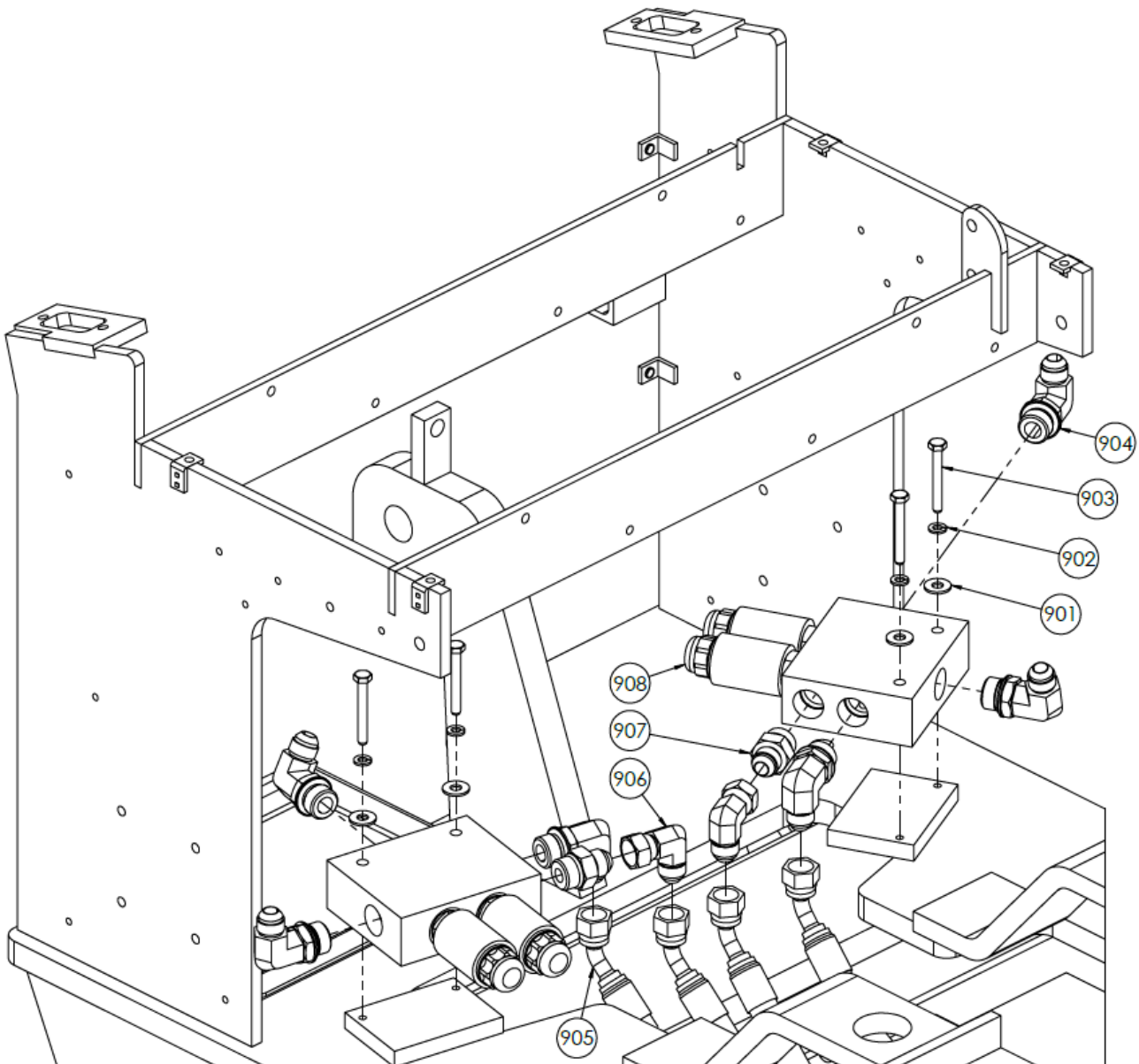
Seat & Joysticks Breakdown

Item No.	Part Number	Description	Qty.
801	11-0134	Button Head Socket Screw, #10-24 x 1/2"	22
802	11-0176	Button Head Socket Screw, 1/4"-20 x 1/2"	4
803	12-0023-12	Low Head Socket Screw, M8-1.25 x 12mm	4
804	13-0194	PRO Joystick Boot	2
805	13-0257	GT50 Seat w/ microswitch	1
806	13-0269	Push-in Grommet for 1 3/8" hole	1
807	13-0277	Push-Pull Cable, 28"	1
808	13-0279	Yoke End, 1/2" Thread	2
809	13-0281	Push-Pull Cable, 29.5"	1
810	21-0007	Red Indicator Light	1
811	21-0008	Amber Indicator Light	1
812	21-0019	VDO RPM Gauge/Information Display	1
813	22-0058	4-Position Ignition Switch	1
814	24-0077	PRO Right Joystick w/ Harness	1
815	24-0078	PRO Left Joystick w/ Harness	1
816	51-0936	Modified Boot Adapter	2
817	53-0127	Joystick Cover, Left Inside	1
818	53-0128	Joystick Cover, Left Outside	1
819	53-0129	Joystick Cover, Right Inside	1
820	53-0130	Joystick Cover, Right Outside	1
821	53-0131	Joystick Cover, Right Top	1
822	53-0132	Joystick Cover, Left Top	1
823	53-0137	PRO Top Console Panel	1
824	61-0062	PRO Decal, Instrument Panel	1
825	96-0140	PRO Joystick Base	2



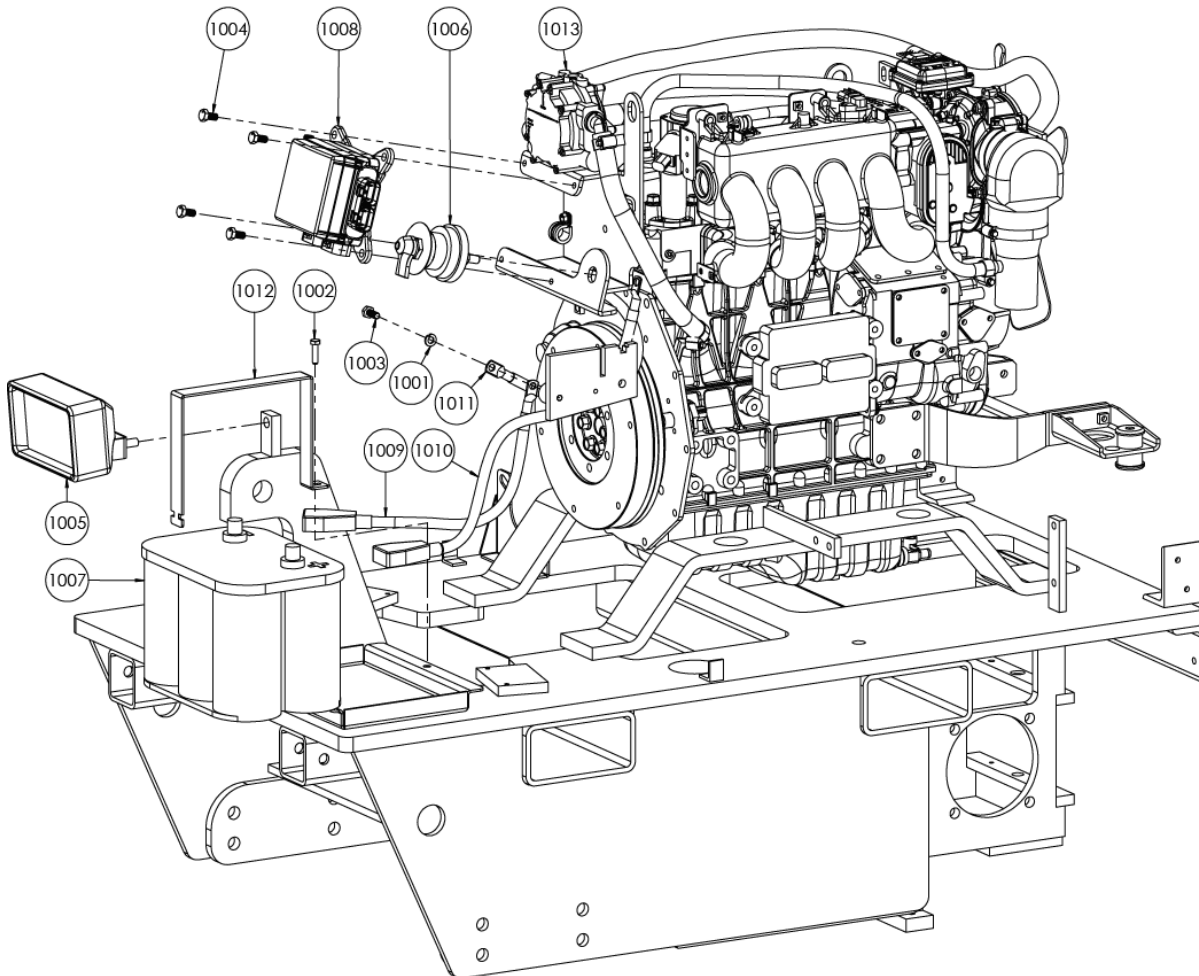
Lockoff Valves Breakdown

Item No.	Part Number	Description	Qty.
901	11-0033	USS Flat Washer, 1/4"	4
902	11-0069	Lock Washer, 1/4"	4
903	11-0121	Hex Head Cap Screw, 1/4"-20 x 1"	4
904	31-0053	Hydraulic Fitting, 90 deg 8 JIC – 10 SAE	6
905	31-0092	Hose Assembly, PRO, Wheel (Universal)	4
906	31-0186	Hydraulic Fitting, 90 deg 8 JIC – 8 JIC	2
907	31-0187	Hydraulic Fitting, Straight 8 JIC – 10 SAE	2
908	32-0024	2-Position Solenoid Valve	2



Engine & Electrical Breakdown

Item No.	Part Number	Description	Qty.
1001	11-0040	Lock Washer, 5/16"	1
1002	11-0059	Hex Head Cap Screw, 1/4"-20 x 1"	1
1003	11-0118	Hex Head Cap Screw, 5/16"-18 x 3/4"	1
1004	12-0032-16	Hex Head Cap Screw, M8-1.25 x 16mm	4
1005	22-0004	Headlight	1
1006	22-0059	Battery Disconnect Switch	1
1007	23-0011	Battery	1
1008	23-0138	PRO Electrical Center	1
1009	24-0070	Wire Assembly, PRO, Negative Battery Cable	1
1010	24-0170	Wire Assembly, PRO, Battery to Disconnect Cable	1
1011	24-0176	Wire Assembly, PRO, Negative Battery Jumper	1
1012	53-0214	PRO Battery Hold-Down Strap	1
1013	96-0274	Engine Assembly	1



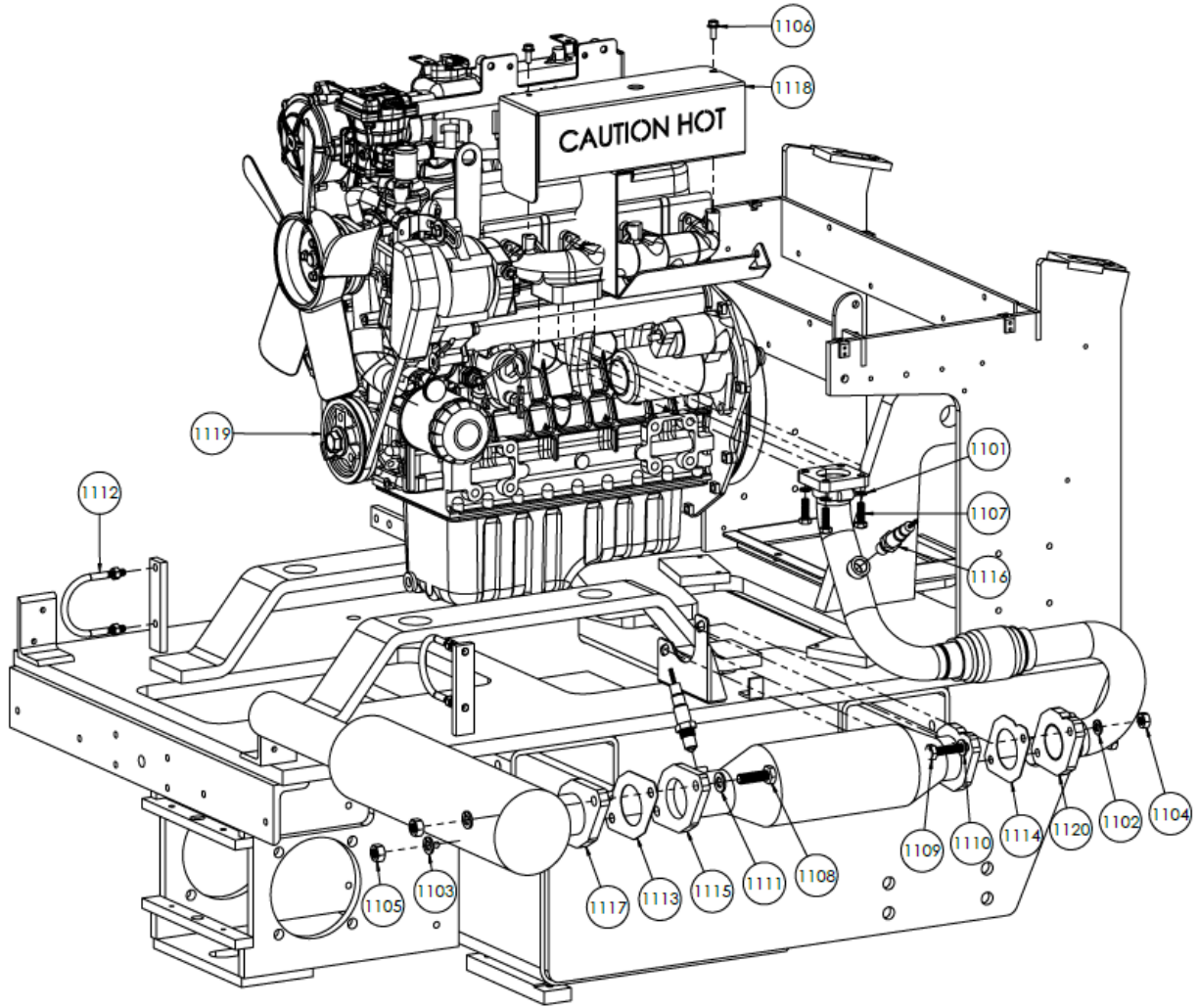
Engine & Muffler Breakdown

Item No.	Part Number	Description	Qty.
1101	12-0018-08	Lock Washer, M8	4
1102	12-0018-10	Lock Washer, M10	2
1103	12-0018-12	Lock Washer, M12	2
1104	12-0027-10	Hex Nut, M10-1.5	2
1105	12-0027-12	Hex Nut, M12-1.75	2
1106	12-0031-16	Flange Head Cap Screw, M6-1.0 x 16mm, Black	2
1107~	12-0032-25	Hex Head Cap Screw, M8-1.25 x 25mm	4
1108^	12-0033-40	Hex Head Cap Screw, M12-1.75 x 40mm	2
1109^	12-0034-40	Hex Head Cap Screw, M10-1.5 x 40mm	2
1110	12-0035-10	Flat Washer, M10	2
1111	12-0035-12	Flat Washer, M12	2
1112	13-0340	U-Bolt, 5/16"-18 x 1", 2.5" OD	2
1113	43-0188	Exhaust Gasket, 110mm Spacing	1
1114	43-0189	Exhaust Gasket, 92mm Spacing	1
1115	43-0191	Catalytic Converter	1
1116*	43-0192	Heated O ₂ Sensor	2
1117	53-0312	Muffler Assembly	1
1118	53-0414	Exhaust Hear Shield	1
1119	96-0274	Engine Assembly	1
1120	96-0352	Exhaust Pipe Assembly	1

~ Tightening Torque: 21.7 – 25.2 ft·lb (29.4 – 34.3 Nm)

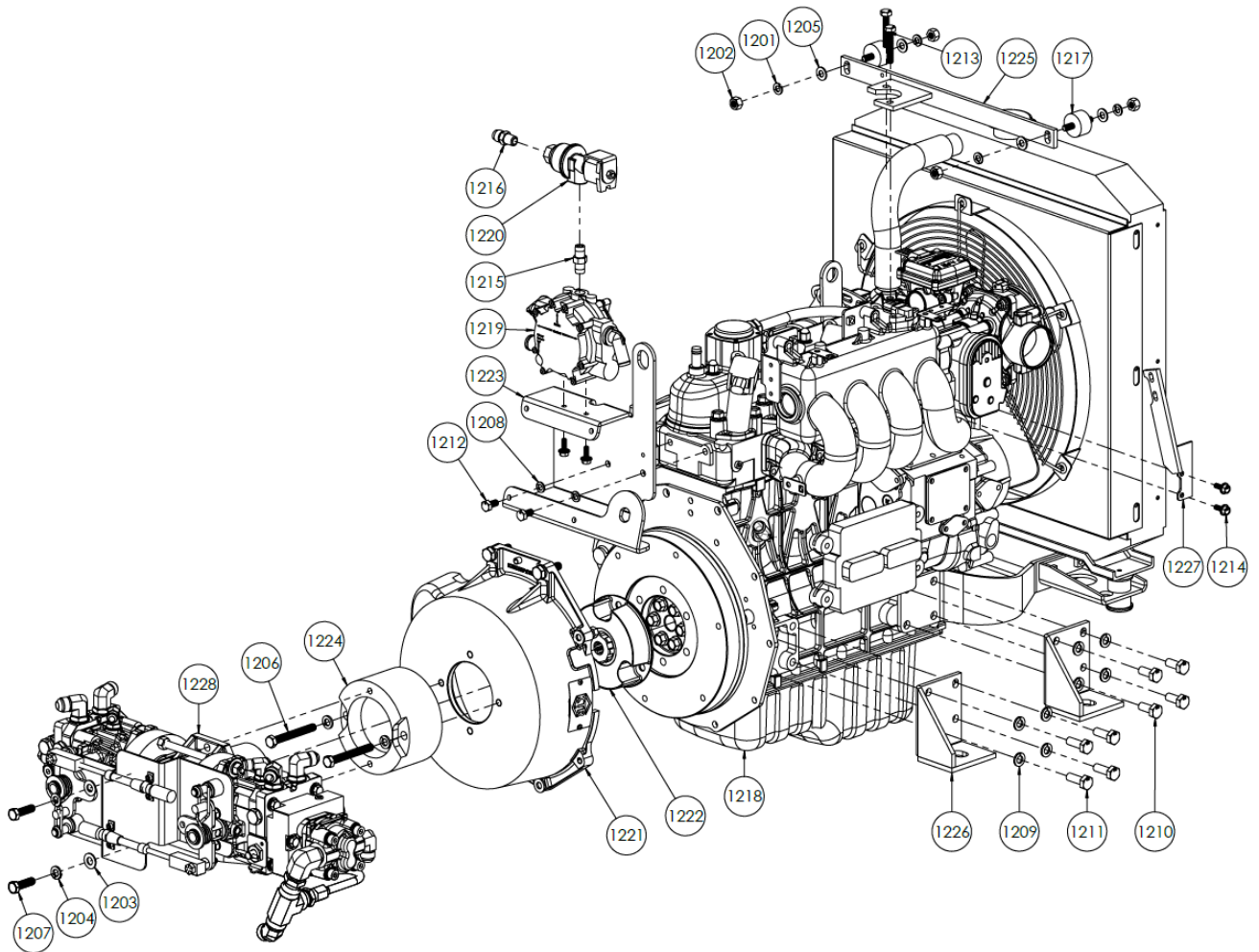
^ Tightening Torque: 35.5 – 41.2 ft·lb (48.1 – 55.9 Nm)

* Tightening Torque: 29.6 – 44.3 ft·lb (40.0 – 60.0 Nm)



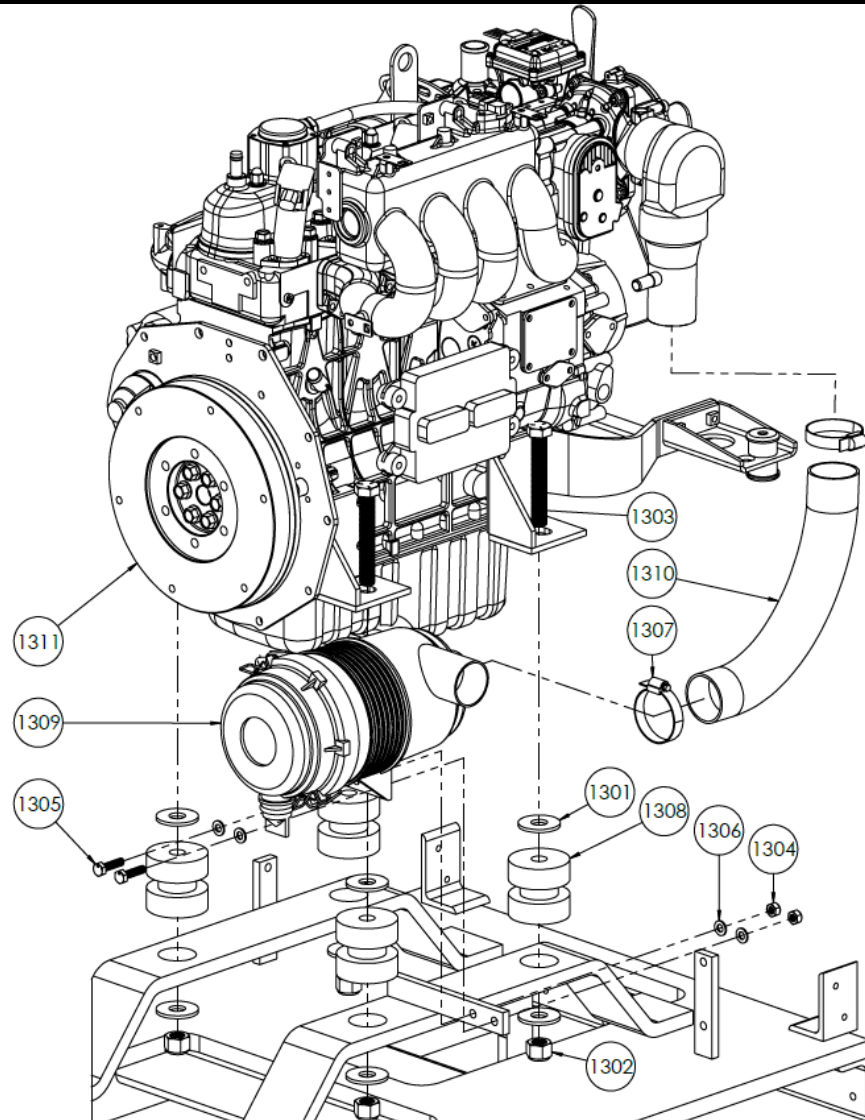
Engine & Pump Breakdown

Item No.	Part Number	Description	Qty.
1201	11-0040	Lock Washer, 5/16"	4
1202	11-0067	Hex Nut, 5/16"-18	4
1203	11-0126	SAE Flat Washer, 3/8"	2
1204	11-0129	Lock Washer, 3/8"	4
1205	11-0139	SAE Flat Washer, 5/16"	4
1206	11-0256	Hex Head Cap Screw, 3/8"-16 x 3"	2
1207	11-0290	Hex Head Cap Screw, 3/8"-16 x 1 1/4"	2
1208	12-0018-08	Lock Washer, M8	2
1209	12-0018-10	Lock Washer, M10	16
1210	12-0028-25	Hex Head Cap Screw, M10-1.25 x 25mm	8
1211	12-0028-30	Hex Head Cap Screw, M10-1.25 x 30mm	8
1212	12-0032-16	Hex Head Cap Screw, M8-1.25 x 16mm	2
1213	12-0032-45	Hex Head Cap Screw, M8-1.25 x 45mm	2
1214	12-0043-16	Serrated Flange Cap Screw, M6-1.0 x 16mm	4
1215	31-0157	Brass Fitting, 1/4" NPTF	1
1216	41-0014	Brass Fitting, 1/4" NPT – 6 SAE	1
1217	43-0171	Radiator Vibration Mount	2
1218	43-0181	Kubota Engine, 1.6L	1
1219	43-0182	Propane Regulator Assembly	1
1220	43-0183	Propane Fuel Lockoff	1
1221	43-0184	Bell Housing Kit	1
1222	43-0185	Flywheel Adapter	1
1223	51-0849	Regulator Mount Bracket	1
1224	53-0216	T-Drive Mounting Adapter	1
1225	53-0299	Radiator Bracket	1
1226	53-0301	Engine Mount Bracket	4
1227	53-0334	DEPR Support Bracket	1
1228	96-0177	Pump & Gearbox Assembly	1



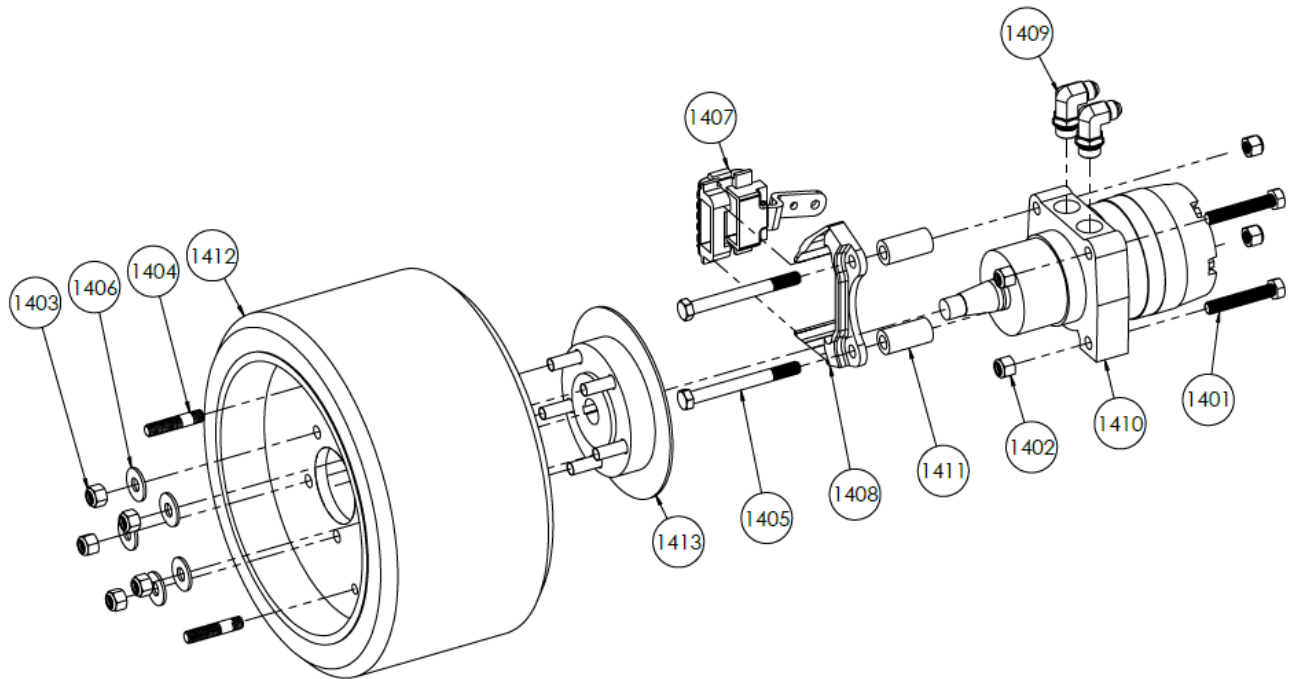
Engine & Air Cleaner Breakdown

Item No.	Part Number	Description	Qty.
1301	11-0148	USS Flat Washer, 5/8"	8
1302	11-0331	Nyloc Nut, 5/8"-18	4
1303	11-0332-64	Hex Head Cap Screw, 5/8"-18 x 4"	4
1304	12-0021-08	Nyloc Nut, M8-1.25	2
1305	12-0032-30	Hex Head Cap Screw, M8-1.25 x 30mm	2
1306	12-0035-08	Flat Washer, M8	4
1307	13-0274	Hose Clamp, SAE 36	2
1308	13-0339	Vibration Damping Mount	4
1309	43-0186	Air Cleaner Assembly	1
1310	44-0027	Air Hose, 12.5" L	1
1311	96-0274	Engine Assembly	1



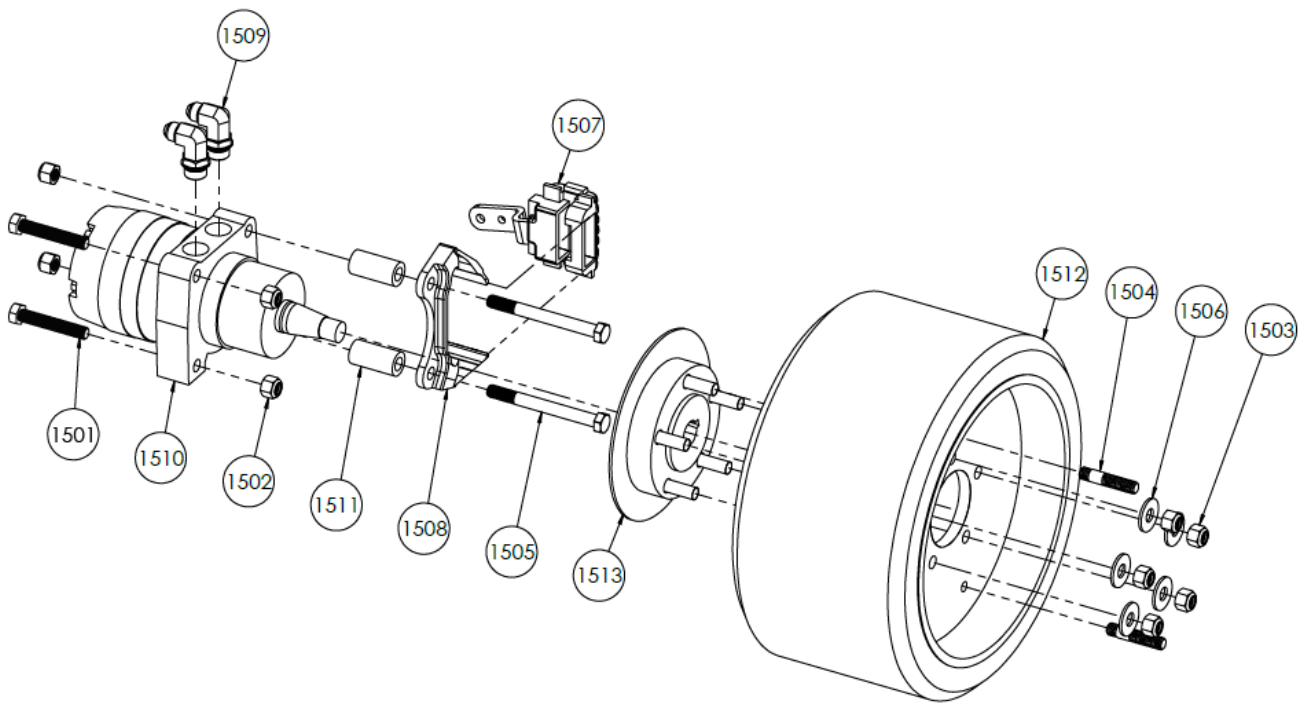
96-0396 – PRO Right Wheel Assembly

Item No.	Part Number	Description	Qty.
1401	11-0013	Hex Head Cap Screw, 1/2"-13 x 3"	2
1402	11-0028	Nyloc Nut, 1/2"-13	4
1403	11-0029	Nyloc Nut, 1/2"-20	5
1404	11-0187	Double Ended Stud, 1/2"-13 x 2 1/2"	2
1405	11-0228	Hex Head Cap Screw, 1/2"-13 x 5"	2
1406	11-0230	USS Flat Washer, 1/2"	5
1407	13-0021	Right Brake Caliper	1
1408	13-0022	Brake Mounting Bracket	1
1409	31-0053	Hydraulic Fitting, 90 deg 8 JIC – 10 SAE	2
1410	33-0003	Right Wheel Motor	1
1411	51-0491	Brake Spacer Standoff	2
1412	53-0208	Wheel and Tire Assembly	1
1413	70-0016	Wheel Hub with Brake Disc	1



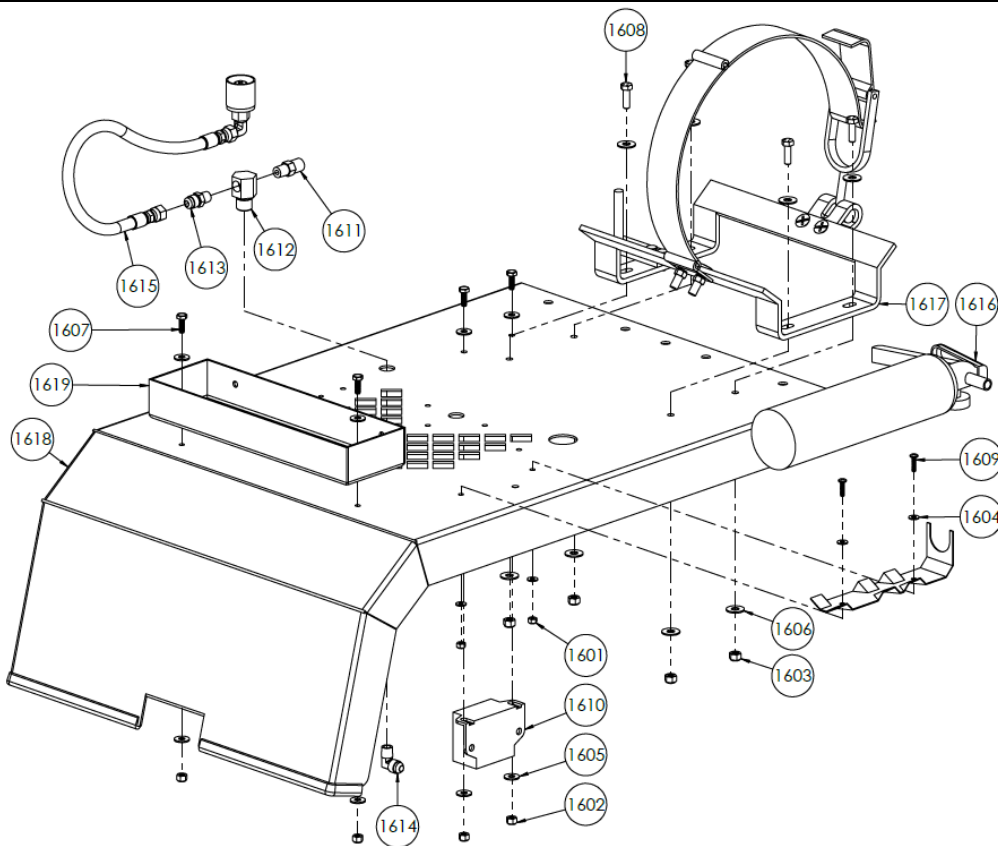
96-0395 – PRO Left Wheel Assembly

Item No.	Part Number	Description	Qty.
1501	11-0013	Hex Head Cap Screw, 1/2"-13 x 3"	2
1502	11-0028	Nyloc Nut, 1/2"-13	4
1503	11-0029	Nyloc Nut, 1/2"-20	5
1504	11-0187	Double Ended Stud, 1/2"-13 x 2 1/2"	2
1505	11-0228	Hex Head Cap Screw, 1/2"-13 x 5"	2
1506	11-0230	USS Flat Washer, 1/2"	5
1507	13-0020	Left Brake Caliper	1
1508	13-0022	Brake Mounting Bracket	1
1509	31-0053	Hydraulic Fitting, 90 deg 8 JIC – 10 SAE	2
1510	33-0002	Left Wheel Motor	1
1511	51-0491	Brake Spacer Standoff	2
1512	53-0208	Wheel and Tire Assembly	1
1513	70-0016	Wheel Hub with Brake Disc	1



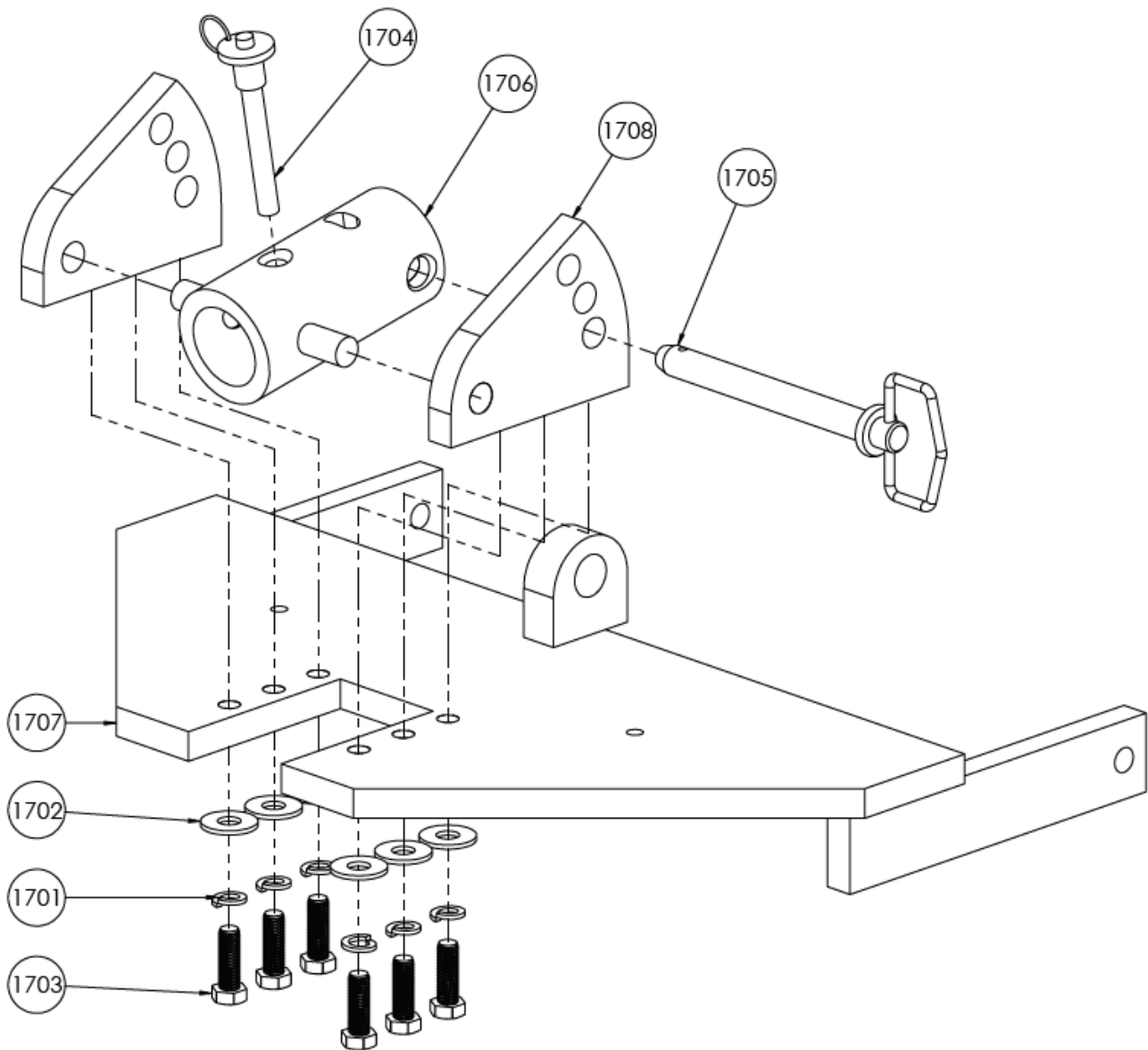
96-0394 – PRO Top Cover Assembly

Item No.	Part Number	Description	Qty.
1601	11-0023	Nyloc Nut, #10-24	2
1602	11-0024	Nyloc Nut, 1/4"-20	4
1603	11-0025	Nyloc Nut, 5/16"-18	4
1604	11-0030	SAE Flat Washer, #10	4
1605	11-0033	USS Flat Washer, 1/4"	8
1606	11-0034	USS Flat Washer, 5/16"	8
1607	11-0133	Hex Head Cap Screw, 1/4"-20 x 3/4"	4
1608	11-0192	Hex Head Cap Screw, 5/16"-18 x 1"	4
1609	11-0250-12	Pan Head Philips Screw, #10-24 x 3/4"	2
1610	22-0073	Backup Alarm, 87 dB	1
1611	41-0005	Pressure Relief Valve	1
1612	41-0006	Bulkhead Fitting	1
1613	41-0014	Brass Fitting, 1/4" NPT – 6 SAE	1
1614	41-0016	Brass Fitting, 90 deg 1/4" NPT – 6 SAE	1
1615	41-0026	Fuel Hose, Tank to Bulkhead	1
1616	42-0001	Fire Extinguisher	1
1617	44-0047	Propane Tank Bracket	1
1618	53-0099	PRO Top Cover	1
1619	53-0177	Tool Tray	1



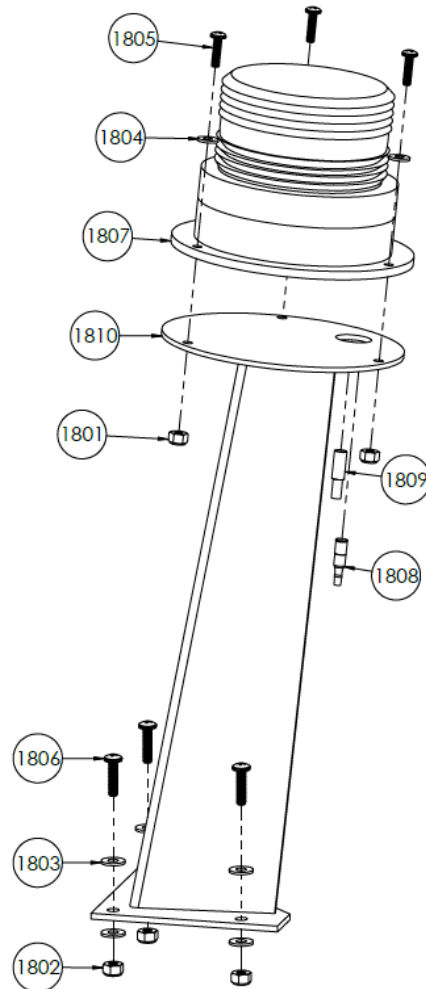
96-0386 – Pivoting Jaw Assembly

Item No.	Part Number	Description	Qty.
1701	11-0041	Lock Washer, 1/2"	6
1702	11-0230	USS Flat Washer, 1/2"	6
1703	11-0296	Hex Head Cap Screw, 1/2"-13 x 1 1/2"	6
1704	13-0035	Pin, 1/2" x 3" L	1
1705	13-0386	Pivoting Jaw Position Pin	1
1706	53-0407	Uni-Frame Receiving Tube	1
1707	53-0411	Uni-Frame Pivoting Jaw Weld Assembly	1
1708	53-0428	Uni-Frame Jaw Pivot Plate	2



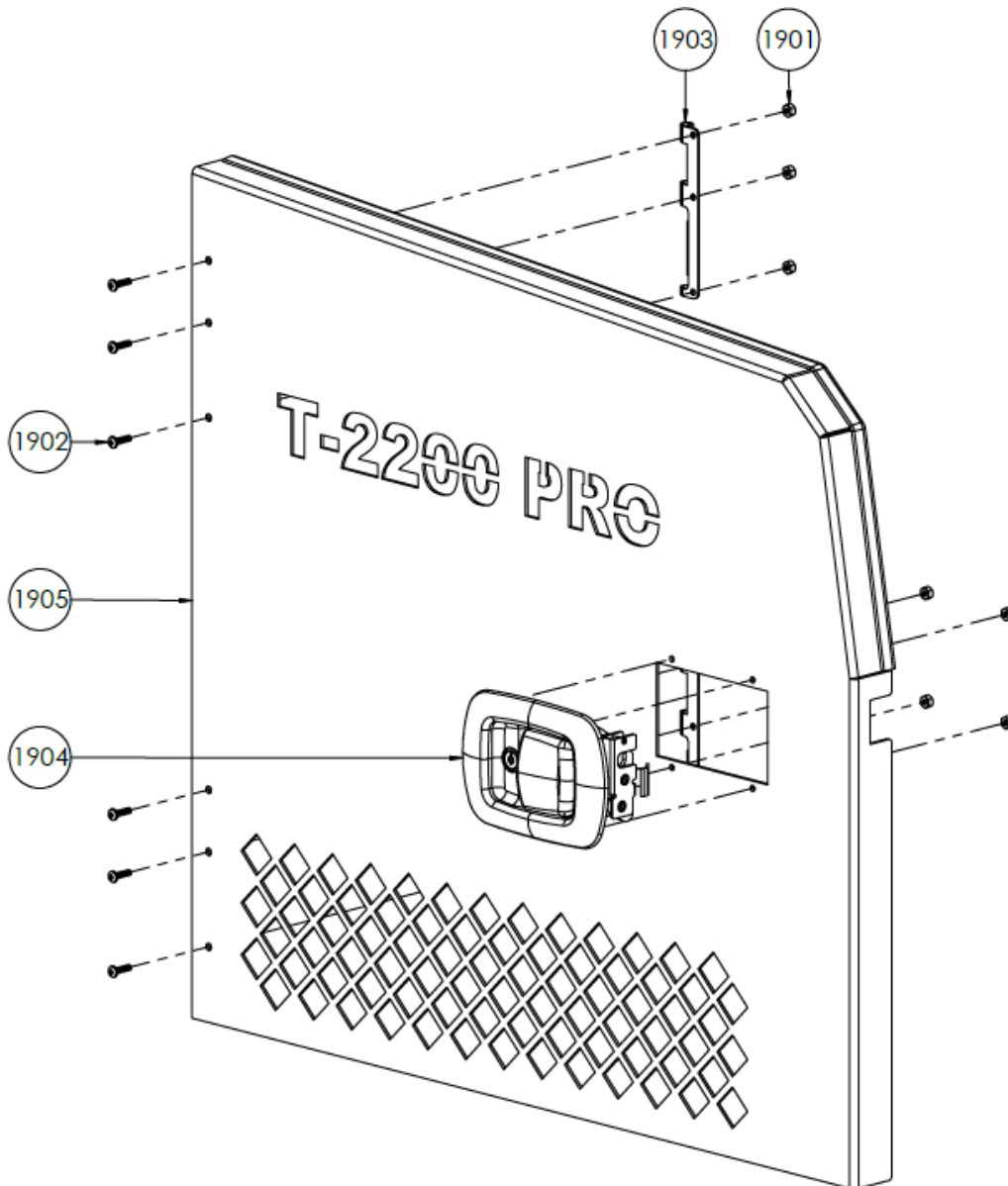
96-0329 – Strobe Light Assembly Kit

Item No.	Part Number	Description	Qty.
1801	11-0022	Nyloc Nut, #8-32	3
1802	11-0023	Nyloc Nut, #10-24	3
1803	11-0030	SAE Flat Washer, #10	6
1804	11-0031	SAE Flat Washer, #8	3
1805	11-0102	Pan Head Philips Screw, #8-32 x 5/8"	3
1806	11-0250-12	Pan Head Philips Screw, #10-24 x 3/4"	3
1807	22-0006	Strobe Light	1
1808	25-0135	Bullet Connector, Male, 22-18ga	1
1809	25-0136	Bullet Connector, Female, 22-18ga	1
1810	53-0077	Strobe Light Bracket	1



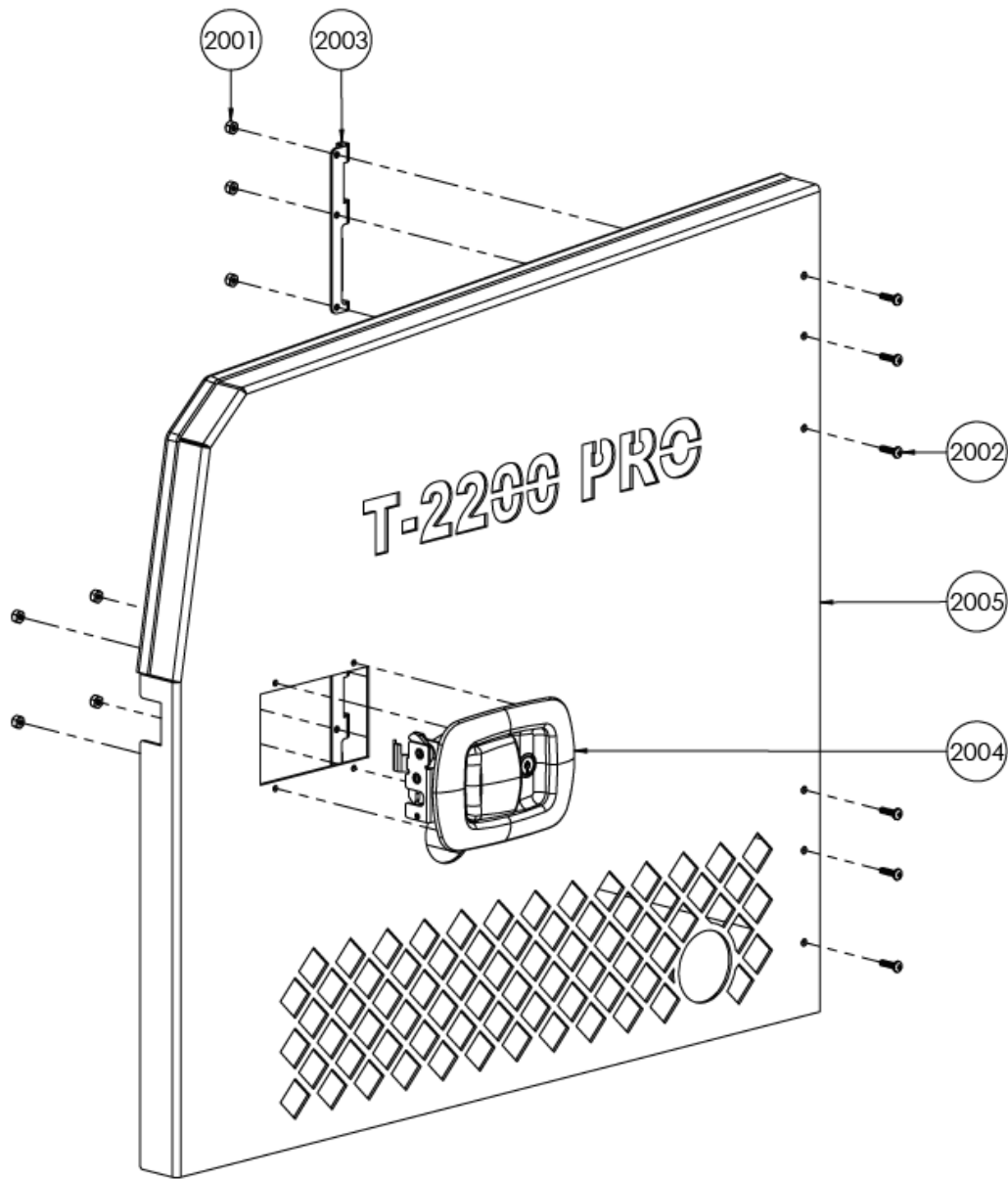
96-0291 – PRO Right Door Assembly

Item No.	Part Number	Description	Qty.
1901	11-0023	Nyloc Nut, #10-24	10
1902	11-0250-12	Pan Head Philips Screw, #10-24 x 3/4"	6
1903	13-0231	Concealed Hinge, Type B	2
1904	13-0337	Door Latch	1
1905	53-0311	PRO Right Door Panel	1



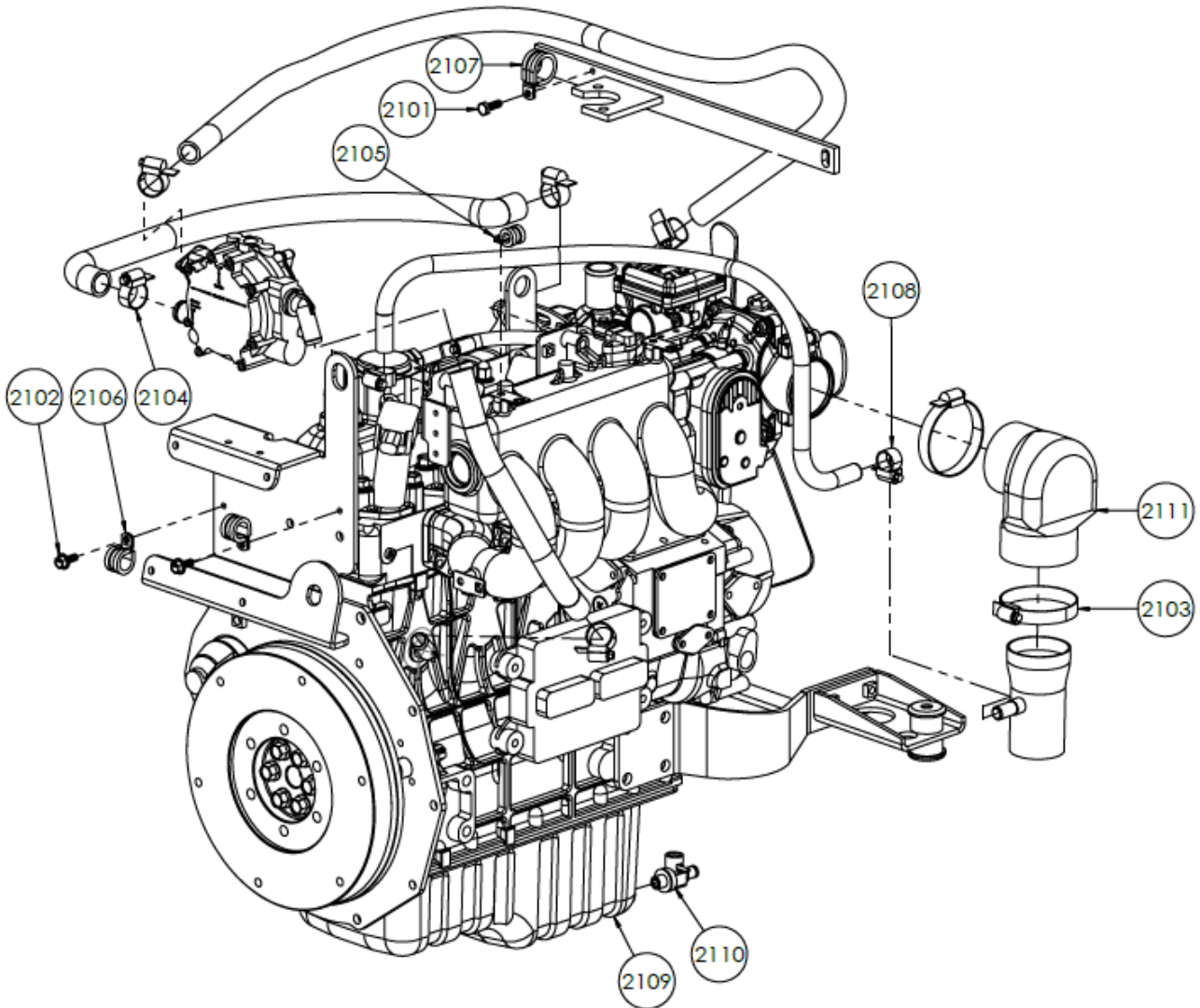
96-0290 – PRO Left Door Assembly

Item No.	Part Number	Description	Qty.
2001	11-0023	Nyloc Nut, #10-24	10
2002	11-0250-12	Pan Head Philips Screw, #10-24 x 3/4"	6
2003	13-0230	Concealed Hinge, Type A	2
2004	13-0337	Door Latch	1
2005	53-0310	PRO Left Door Panel	1



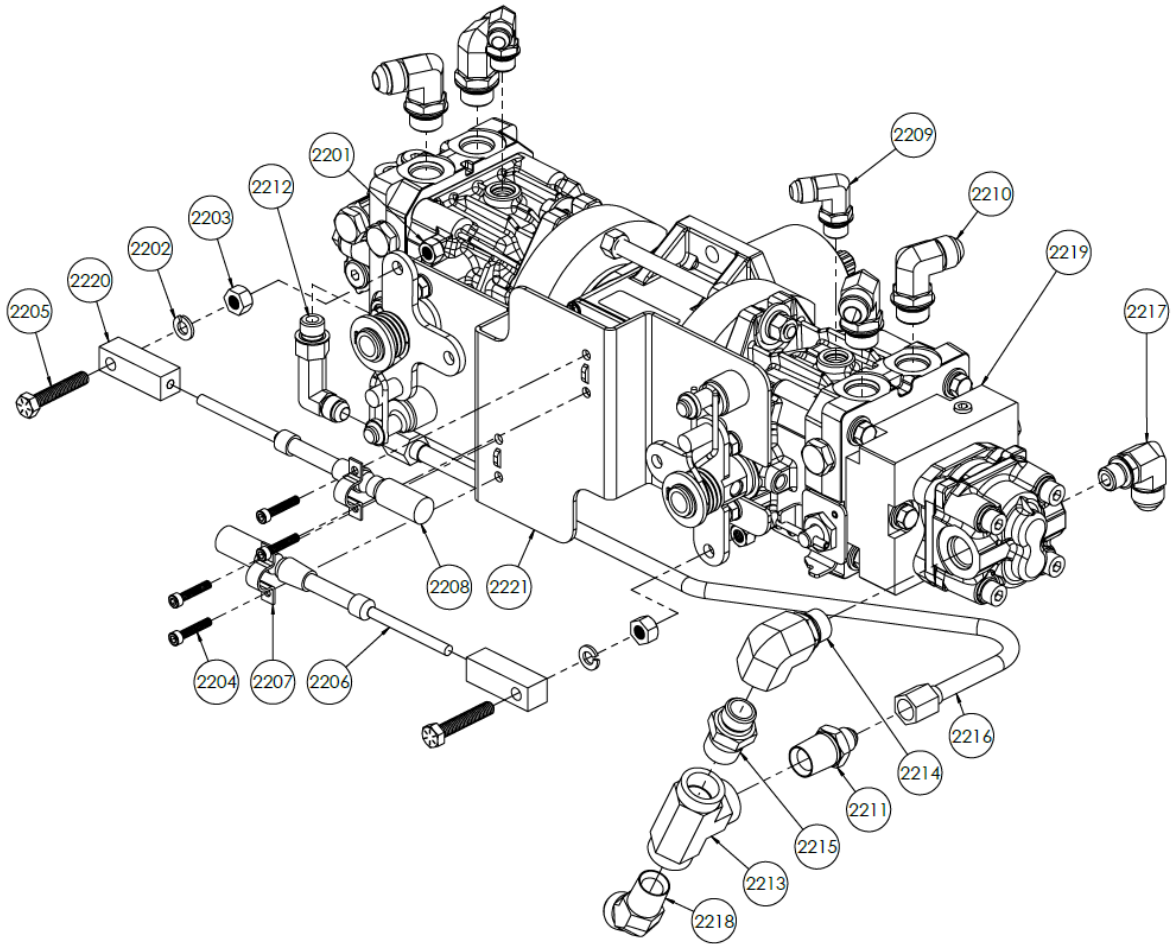
96-0274 – Engine Assembly

Item No.	Part Number	Description	Qty.
2101	11-0133	Hex Head Cap Screw, 1/4"-20 x 3/4"	1
2102	12-0043-16	Serrated Flange Cap Screw, M6-1.0 x 16mm	2
2103	13-0274	Hose Clamp, SAE 36	2
2104	13-0275	Hose Clamp, SAE 12	6
2105	13-0285-03	Loop Clamp, 3/8"	1
2106	13-0285-05	Loop Clamp, 5/8"	2
2107	13-0285-07	Loop Clamp, 7/8"	1
2108	41-0036	Hose Clamp, SAE 6	2
2109	43-0181	Kubota Engine, 1.6L	1
2110	43-0195	Drain Pan Valve	1
2111	44-0050	Intake Adapter	1



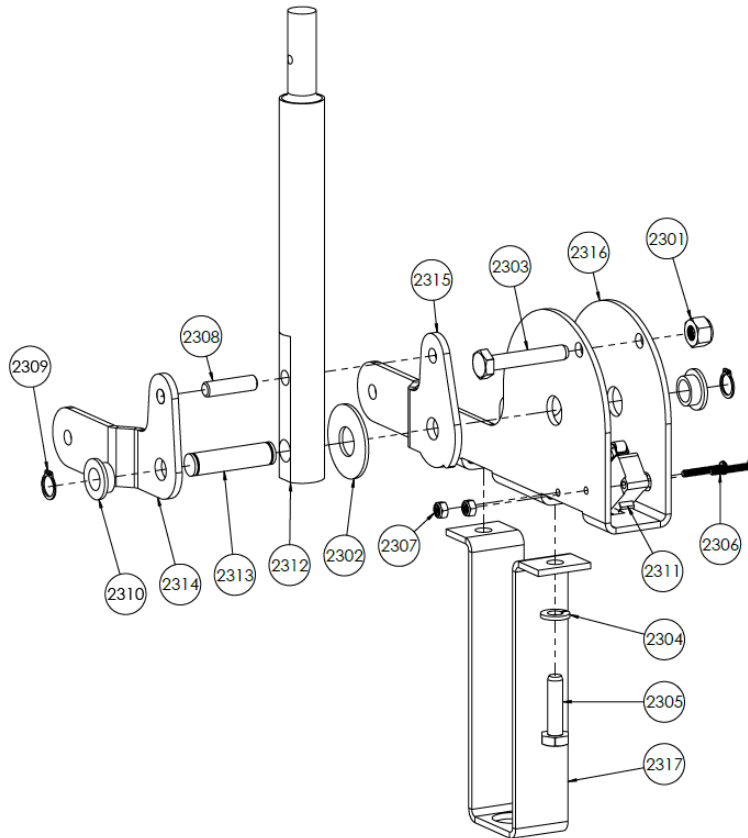
96-0177 – Pump & Gearbox Assembly

Item No.	Part Number	Description	Qty.
2201	11-0025	Nyloc Nut, 5/16"-18	2
2202	11-0040	Lock Washer, 5/16"	2
2203	11-0067	Hex Nut, 5/16"-18	2
2204	11-0297	Socket Head Cap Screw, #10-24 x 1"	4
2205	11-0321	Hex Head Cap Screw, 5/16"-18 x 1 3/4"	2
2206	13-0277	Push-Pull Cable, 28"	1
2207	13-0278	Conduit Clamp	2
2208	13-0281	Push-Pull Cable, 29.5"	1
2209	31-0056	Hydraulic Fitting, 90 deg 6 JIC – 6 SAE	2
2210	31-0094	Hydraulic Fitting, 90 deg 8 JIC – 8 SAE	4
2211	31-0101	Hydraulic Fitting, Straight 6 JIC – 1/2" NPTF Male	1
2212	31-0102	Hydraulic Fitting, Long 90 deg 6 JIC – 6 SAE	1
2213	31-0165	Hydraulic Fitting, Straight 8 SAE – 1/2" NPT Male	1
2214	31-0192	Hydraulic Fitting, 90 deg 8 SAE – 8 SAE	1
2215	31-0193	Hydraulic Fitting, Straight 8 SAE – 1/2" NPT Male	1
2216	31-0194	PRO Suction Tube Assembly	1
2217	31-0195	Hydraulic Fitting, 90 deg 8 JIC – 6 SAE	1
2218	31-0236	Hydraulic Fitting, 45 deg 10 JIC – 1/2" NPTF Male	1
2219	33-0018	Hydraulic Pump with Gear Pump & T-Gearbox	1
2220	51-0833	Joystick Cable End	2
2221	53-0100	Push-Pull Cable Mount	1



96-0140 – PRO Joystick Base

Item No.	Part Number	Description	Qty.
2301	11-0024	Nyloc Nut, 1/4"-20	1
2302	11-0036	USS Flat Washer, 7/16"	1
2303	11-0055	Hex Head Cap Screw, 1/4"-20 x 1 1/2"	1
2304	11-0069	Lock Washer, 1/4"	2
2305	11-0121	Hex Head Cap Screw, 1/4"-20 x 1"	2
2306	11-0247-12	Pan Head Philips Screw, #4-40 x 3/4"	2
2307	11-0249	Nyloc Nut, #4-40	2
2308	13-0134	Dowel Pin	1
2309	13-0157	Retaining Ring, 3/8"	2
2310	13-0355	Sleeve Bearing	2
2311	22-0025	Momentary Switch	1
2312	53-0217	Joystick Lever	1
2313	53-0218	Joystick Shaft	1
2314	53-0219	Joystick Cable Lever, Right	1
2315	53-0220	Joystick Cable Lever, Left	1
2316	53-0260	Joystick Body	1
2317	53-0261	Joystick Cable Mount	1



Rear & Wheel Weights Breakdown

Item No.	Part Number	Description	Qty.
2401	11-0019	Hex Nut, 1/2"-13	4
2402	11-0041	Lock Washer, 1/2"	5
2403	11-0129	Lock Washer, 3/8"	4
2404	11-0228	Hex Head Cap Screw, 1/2"-13 x 5"	1
2405	11-0230	USS Flat Washer, 1/2"	1
2406	11-0290	Hex Head Cap Screw, 3/8"-16 x 1 1/4"	4
2407	53-0113	Rear Weight Holder	1
2408	53-0119	Rear Weight	4
2409	53-0212	Wheel Weight	2

