

# OPERATOR'S SAFETY AND SERVICE MANUAL



## 482

This manual covers the following serial numbers  
and higher for each model listed:

R482/R483.....4820842

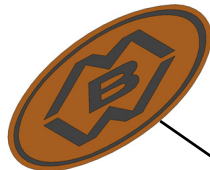


## SMART RAMMERS

**MBW, Inc.**  
250 Hartford Rd • PO Box 440  
Slinger, WI 53086-0440  
Phone: (262) 644-5234  
Fax: (262) 644-5169  
Email: [mbw@mbw.com](mailto:mbw@mbw.com)  
Website: [www.mbw.com](http://www.mbw.com)

**MBW (UK) Ltd.**  
Units 2&3 Cochrane Street  
Bolton BL3 6BN, England  
Phone: 01204 387784  
Fax: 01204 387797  
E-mail: [saleseurope@mbw.com](mailto:saleseurope@mbw.com)  
Website: [www.mbweurope.com](http://www.mbweurope.com)

L19905 12.19.H  
©MBW, Inc. 2004  
Printed in the USA



21080

**OPERATING INSTRUCTIONS**

1. Check fuel level.
2. Open fuel valve.
3. Set throttle at idle position.
4. Choke engine. A warm engine may not need to be choked.
5. Pull starter rope.
6. After starting, open choke gradually and let engine warm up at idle.
7. To start compacting: open throttle fully.
8. To stop: return throttle to idle and allow engine to run for a few minutes before turning off.
9. Turn engine switch to off and close fuel valve.

14773

**CAUTION**

Read Operating Instructions before operating this piece of equipment.

- Keep unauthorized and untrained people away from this equipment.
- ROTATING & MOVING PARTS!** Make sure all guards and safety devices are in place.
- Wear OSHA approved hearing protection, foot protection, eye protection and heat protection.
- Avoid breathing dust from operating machine; wear OSHA specified dust mask/respirator.
- SHUT OFF** the motor before servicing or cleaning.
- DO NOT RUN** in an enclosed area. The engine produces carbon monoxide, a **POISONOUS GAS**.

Failure to comply could result in serious bodily injury.

13483

**CAUTION**

Machine is top heavy and could fall if not lifted from this bar.

- R422 = 138 lb (63 kg)
- R442 = 150 lb (68 kg)
- R482/483 = 177 lb (80 kg)

20258

**WARNING**

OPERATION OF THIS EQUIPMENT MAY CREATE SPARKS THAT CAN START FIRES AROUND DRY VEGETATION. A SPARK ARRESTER MAY BE REQUIRED. THE OPERATOR SHOULD CONTACT LOCAL FIRE AGENCIES FOR LAWS OR REGULATIONS RELATING TO FIRE PREVENTION.

19791

U.S. PATENT 8,057,125

19895

U.S. PATENT 8,202,022

20425



14770

**AIR CLEANER INSTRUCTIONS**

CLEAN ELEMENT ONLY. MORE OFTEN UNDER DUSTY CONDITIONS. TAP ELEMENT LIGHTLY ON A FLAT SURFACE. IF DUST DOES NOT CRACK OFF EASILY OR IF ELEMENT IS BENT OR CRUSHED, REPLACE IT!

**WARNING: DO NOT OPERATE ENGINE WITHOUT AIR CLEANER ELEMENT - INTERNAL DAMAGE WILL RESULT!**

06079

# R482

21446



12500

**DANGER PELIGRO**

Compressed spring could cause severe injury. See manual for disassembly instructions.

La resorte comprimida podría causar la herida severa. Consulte el libro para ver el desmontaje correcto.

01326

**REMINDER**

CHECK ENGINE OIL DAILY. ENGINE MUST BE LEVEL.

15137

**WARNING**

Operating, servicing and maintaining this equipment can expose you to chemicals, including engine exhaust, phthalates and lead, which are known to the state of California to cause cancer and birth defects or other reproductive harm. Avoid breathing engine exhaust. Do not operate equipment in confined areas. For more information go to [www.P65Warnings.ca.gov](http://www.P65Warnings.ca.gov)

21820

**UNLEADED GASOLINE**

14781

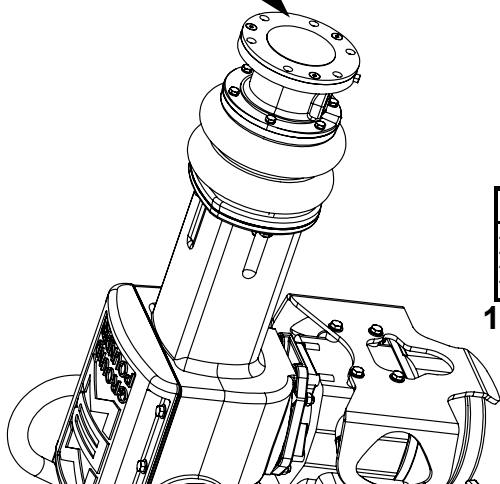
**OPTIMAL OPERATING SPEED**

420-421/422	...3500 RPM
440/442	.....3500 RPM
480-481	.....3200 RPM
482-483	.....3200 RPM

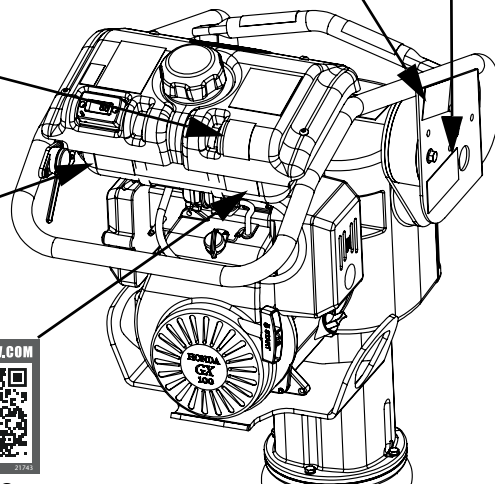
15287



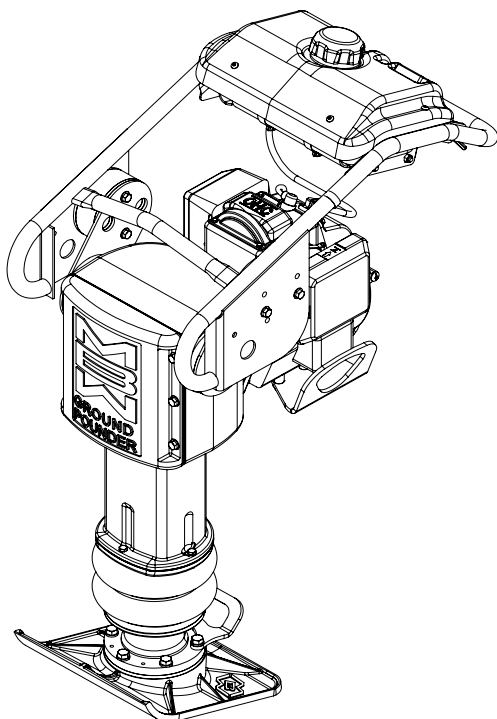
21743



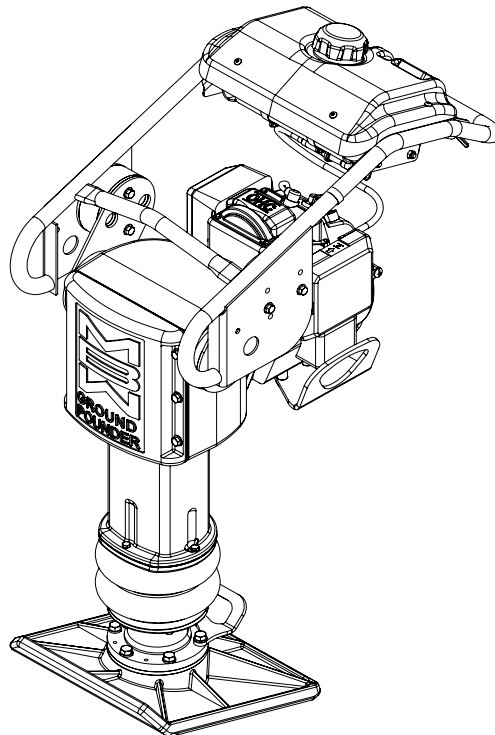
Safety Decals (Decal Set #1777)



# SPECIFICATIONS



**R482**



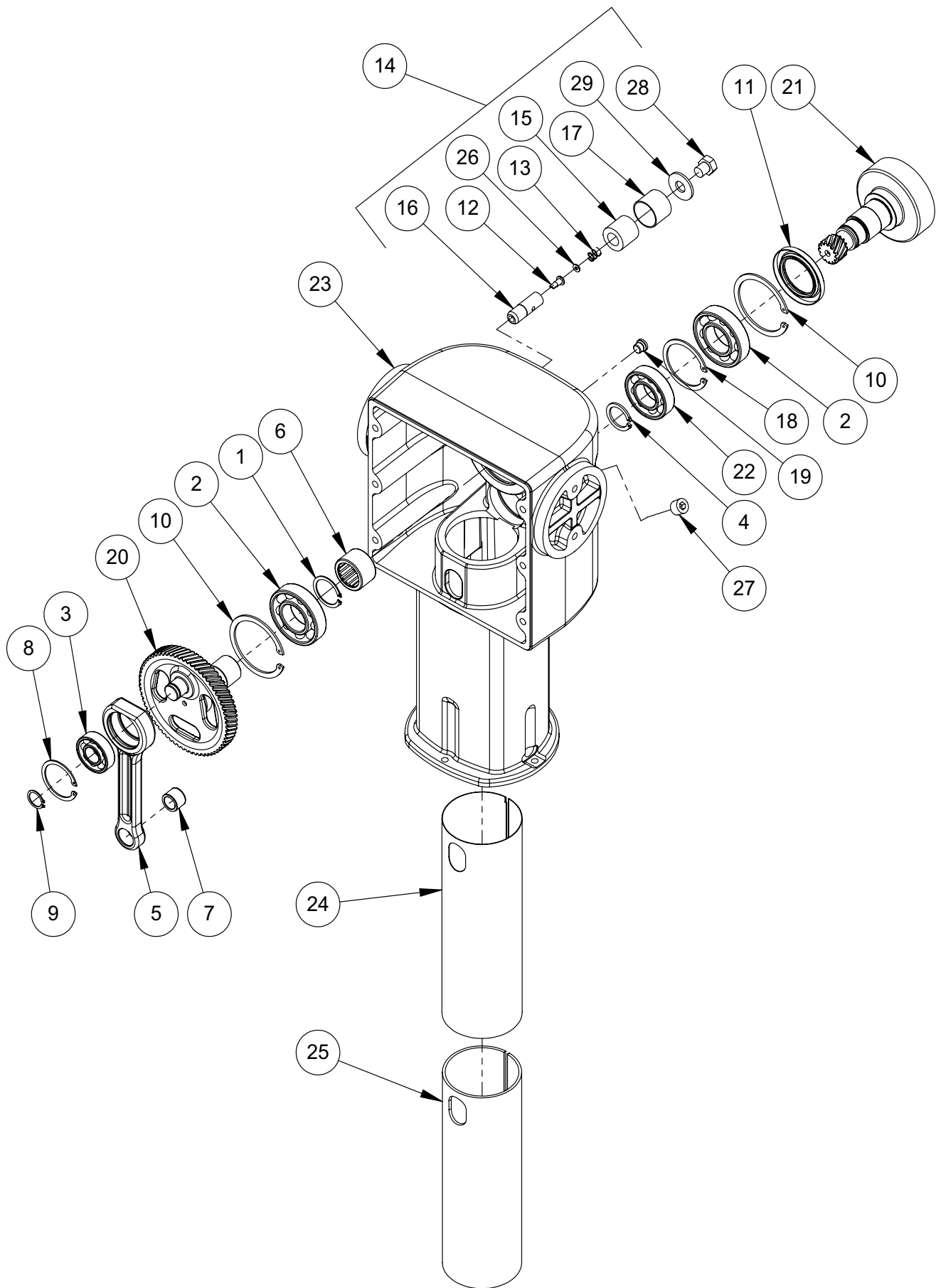
**R483**

	<b>482H/482H12</b>	<b>483H/483H12</b>
<b>Operating Weight</b>	158 lb. (71.6 kg)	165 lb. (75 kg)
<b>Height in(cm)</b>	40 (101.6)	40 (101.6)
<b>Width in(cm)</b>	15.8 (40)	15.8 (40)
<b>Length in(cm)</b>	27 (68.6)	27 (68.6)
<b>Engine</b>	Honda GX100/GXR120	Honda GX100/GXR120
<b>Shoe (W x L), in (cm)</b>	11 x 13 (28 x 33)	13 x 15 (33 x 38)
<b>Operating Noise Level<sup>1</sup> (dBA)</b>	85-103 <sup>2</sup>	85-103 <sup>2</sup>
<b>Compaction Force, lbf (kN) / blow</b>	4550 (20.24)	4550 (20.24)
<b>Percussion Rate, blows / minute</b>	600-650	600-650
<b>Travel Speed, ft/min (m/min)</b>	60 (18.3)	60 (18.3)
<b>Compaction Depth in(cm)</b>	24 (60.9)	24 (60.9)
<b>Compaction Area, sq ft/h (sq m/h)</b>	3300 (307)	3900 (362)
<b>Engine Speed (rpm)</b>	3200	3200
<b>Fuel Capacity gal (L)</b>	1.1 (4.3)	1.1 (4.3)
<b>Gearbox Oil Capacity oz (L)</b>	12 (.4)	162(.4)
<b>Engine Crank Case Capacity oz (L)</b>	10 (.3)	10 (.3)

Specifications subject to change without notice

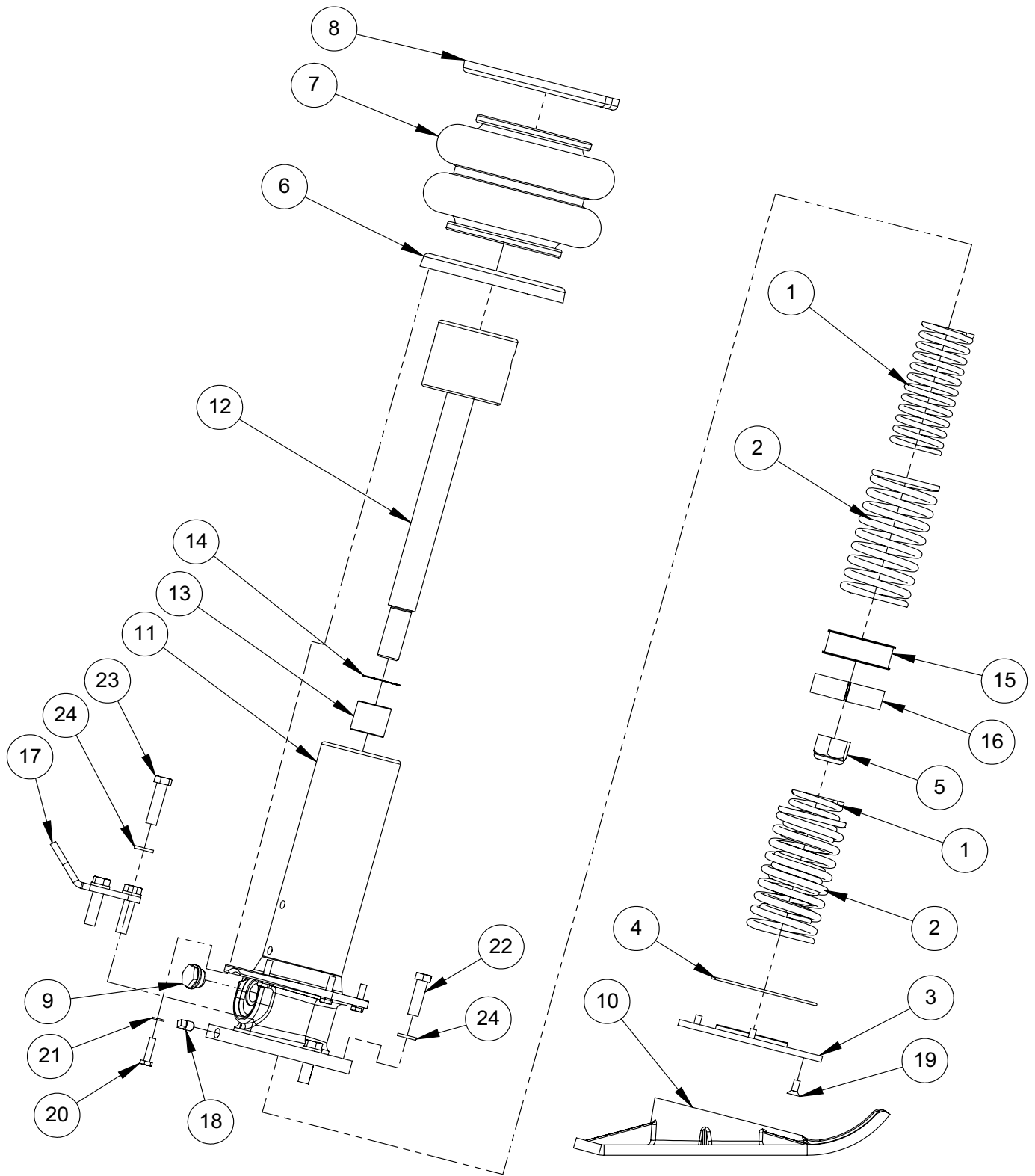
1. Noise levels are taken at the operating position and are based on operating conditions. Background noise will increase noise levels.
2. Noise level is operating on loose gravel surface. Hearing protection may be required.
3. Not all product variations shown.

- No universal method or formula has been accepted for determining "Compaction Force". All manufactures employ their own method or formula.



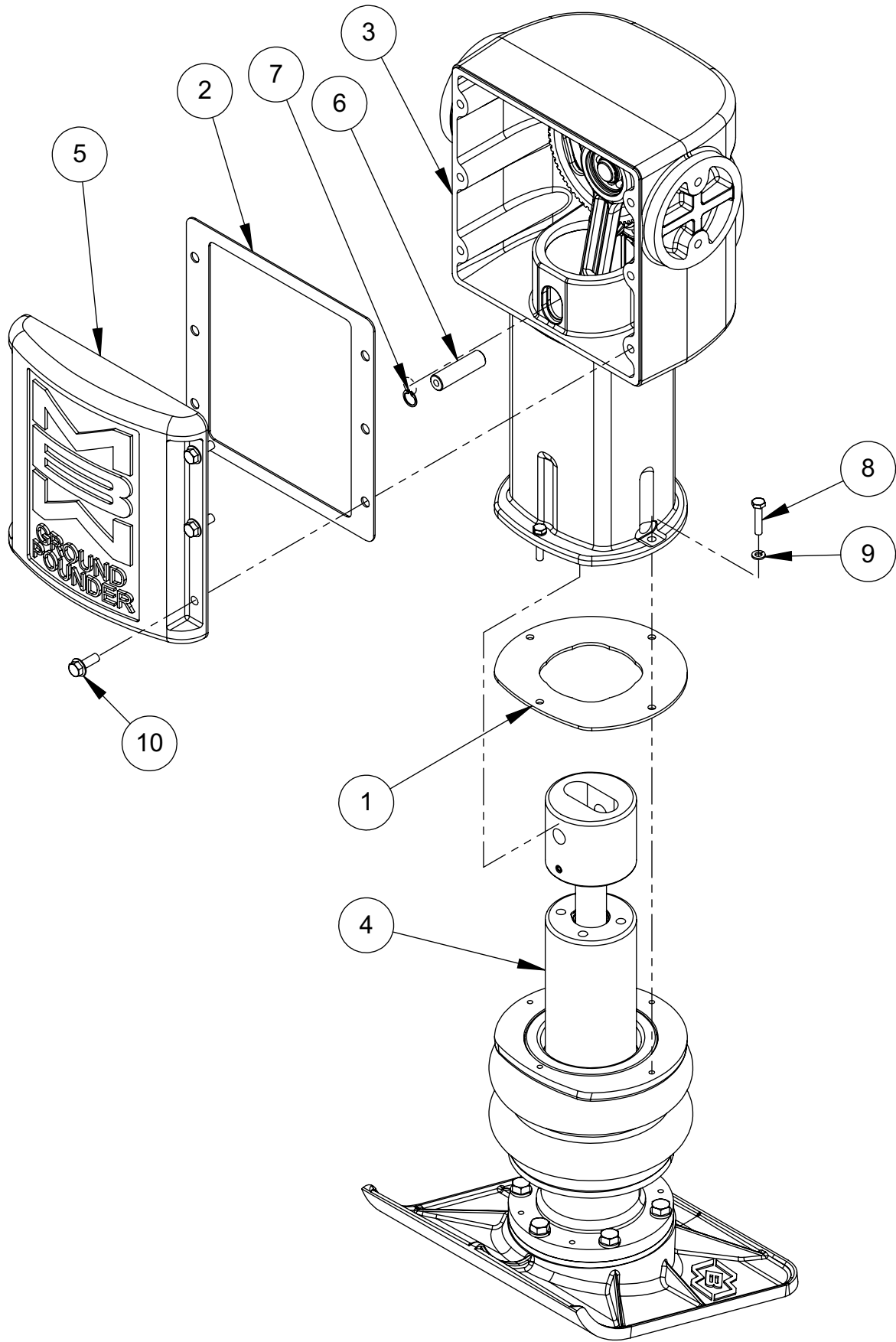
**Gearbox Assembly**

ITEM	PART NO.	DESCRIPTION	QTY
1.	01001	RETAINING RING, EXT. 5100-137	1
2.	01103	BEARING, BALL	2
3.	01105	BEARING, BALL	1
4.	01244	RETAINING RING, EXT. 5160-112	1
5.	06161	CONNECTING ROD ASM, (includes item #7)	1
6.	06259	BEARING, NEEDLE	1
7.	06262	BUSHING, CONNECTIONG ROD	1
8.	06264	RETAINING RING, INT. N5000-187	1
9.	06265	RETAINING RING, EXT. 5100-78	1
10.	06266	RETAINING RING, INT. N5000-281	2
11.	06274	SEAL	1
12.	06413	VALVE	1
13.	06423	COMPRESSION SPRING	1
14.	06904	BREATHER SUB-ASM (includes items;11,12,14,15,16,25,27 & 28)	1
15.	06905	BREATHER FILTER	1
16.	06908	BREATHER TUBE	1
17.	06910	COVER	1
18.	09476	RETAINING RING, INT. N5000-244	1
19.	09618	FITTING, PLUG PARKER 4HP50N	1
20.	13733	GEAR, CRANK-LOW RATIO	1
21.	15959	PINION, GROUND, LR	1
22.	16021	BEARING, BALL-6206	1
23.	19881	HOUSING, GEAR BOX, 480	1
24.	19882	BEARING SUPPORT, FORMED	1
25.	20580	KIT, SLIDE BEARING, FORMED (INCLUDES ITEM #24)	1
26.	F01PW	FLAT WASHER	1
27.	F0618SPP	PLUG, PIPE 3/8-18	1
28.	F081305HCS	HEX HEAD CAP SCREW, 1/2-13 x 5/8	1
29.	F08SW	WASHER, 1/2"	1
	20178	KIT, SLIDE BEARING, (Includes items 25 & slide bearings in lower unit)	



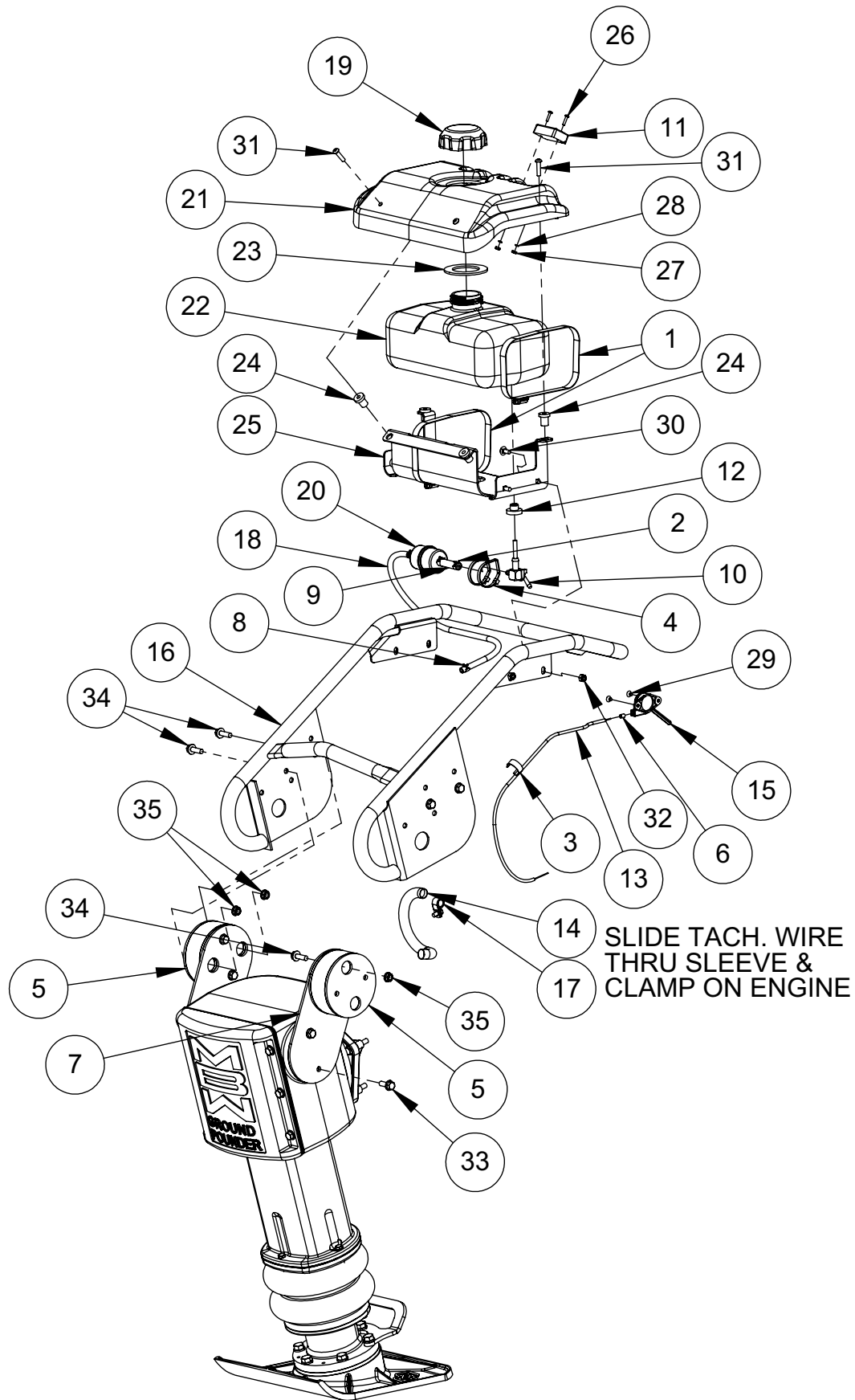
**Lower Unit Assembly**

ITEM	PART NO.	DESCRIPTION	R482	R483
1.	03167	SPRING, COMP. 2.188 OD	2	2
2.	03168	SPRING, COMP. 2.875 OD	2	2
3.	06173	COVER	1	1
4.	06237	O-RING, 4.33 ID X .103	1	1
5.	06257	NUT, HEX 7/8-14 ELASTIC LOCK ZP	1	1
6.	07154	RING, CLAMPING	1	1
7.	11694	BELLOWS, 4 PLY	1	1
8.	14493	RING, CLAMPING	1	1
9.	18276	PLUG, OIL LEVEL	1	1
10.	20344	SHOE KIT, CAST IRON, 11" (Includes item #22)	1	
	20340	SHOE KIT, ALUMINUM 13" (Includes item #22)		1
11.	19763	SPRING BOX, MACHINING	1	1
12.	20337	KIT, RAM SHAFT (Includes items: #5 & #7 from page 18)	1	1
13.	19889	SLIDE BEARING, FORMED	1	1
14.	19890	RETAINING RING, INTERNAL, 1.5"	1	1
15.	19891	SPRING SEPERATOR, 480	1	1
16.	19893	SLIDE BEARING, FORMED	1	1
17.	20882	HANDLE, LIFT	1	1
18.	F0227SHPP	SQ HD PIPE PLUG, 1/8-27	1	1
19.	F042005FSS	FSS, 1/4-20 X 5/8	3	3
20.	F042008HCS	HEX HEAD CAP SCREW, 1/4-20 X 1 GR5 ZP	6	6
21.	F04LW	LOCKWASHER, 1/4 ZP	6	6
22.	F071412HCS	HEX HEAD CAP SCREW, 7/16-14 X 1-1/2 GR5 ZP	6	
	F071414HCS	HEX HEAD CAP SCREW, 7/16-14 X 1-3/4 GR5 ZP		6
23.	F071414HCS	HEX HEAD CAP SCREW, 7/16-14 X 1-3/4 GR5 ZP	3	
	F071416HCS	HEX HEAD CAP SCREW, 7/16-14 X 2 GR5 ZP		3
24.	F07LW	LOCKWASHER, 7/16 ZP	6	6
		<b><u>KITS:</u></b>		
	20178	KIT, SLIDE BEARING, (Includes items 13, 14, 16 & slide bearing in gear box)		
	20175	SPRING BOX ASM. (Includes items 1, 2, 3, 4, 5, 9, 11 thru 16, 18, 19)		
	20886	KIT, LOWER LIFT HANDLE (Includes 17, 23, 24)		



## Gearbox and Lower Unit Assembly

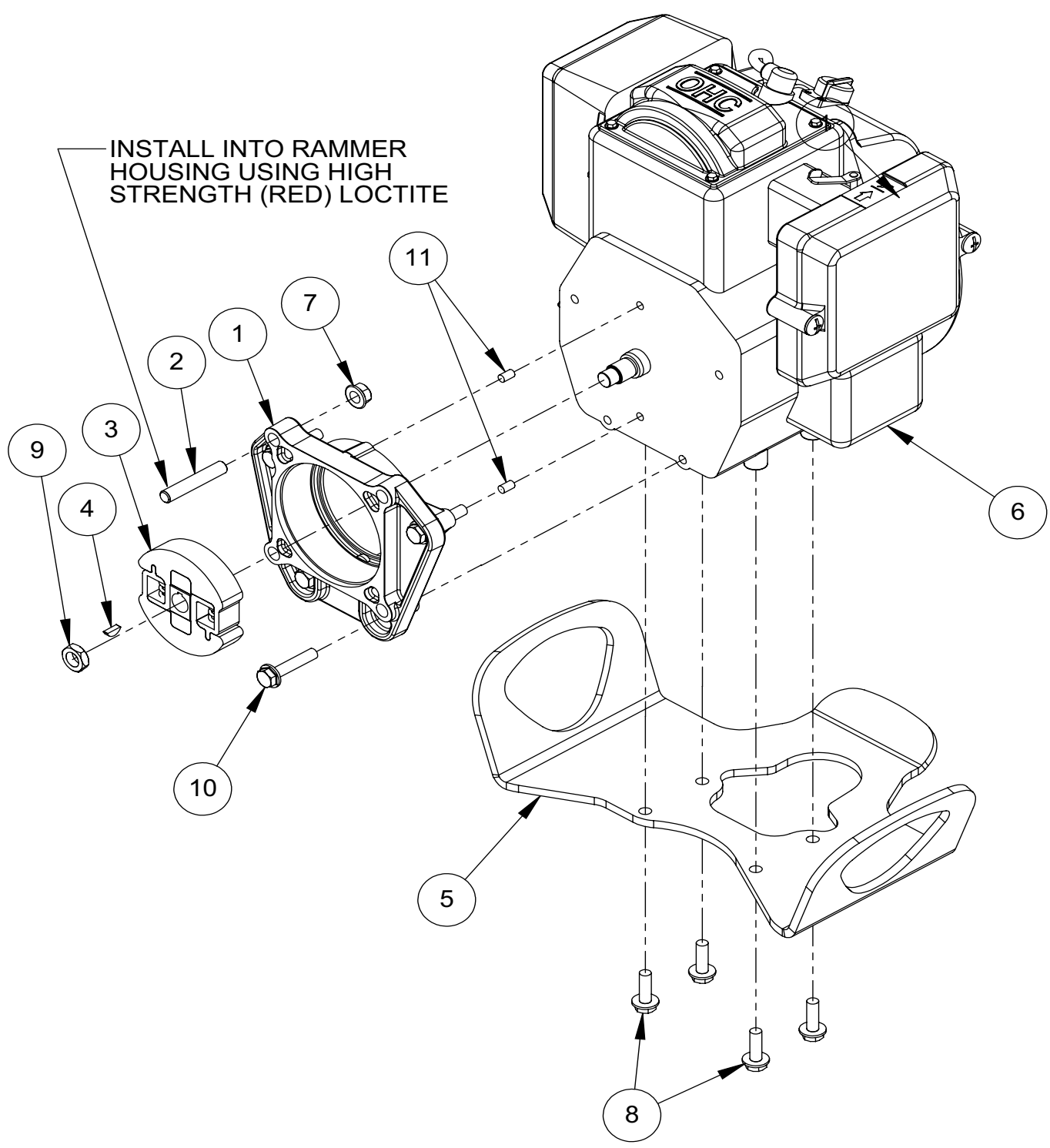




## Handle Assembly

ITEM	PART NO.	DESCRIPTION	QTY
1.	01026	CLAMP, WORM DRIVE	2
2.	01052	CLAMP, HOSE, 1/4" FUEL HOSE	2
3.	01145	CLAMP, CABLE	1
4.	01291	CABLE TIE, 3/16 X 7-1/2" LG.	5
5.	07351	TORSION MOUNT	2
6.	07916	FERRULE, THROTTLE LEVER	1
7.	14965	BRACKET, MOUNTING, HANDLE	2
8.	15016	CLAMP, 3/16" FUEL HOSE	2
9.	15183	HOSE, FUEL, 1/4" X 2"	1
10.	16414	VALVE, FUEL	1
11.	16415	TACHOMETER WITH WIRE (For models with tachometers only)	1
12.	16586	GROMMET, 1/2"	1
13.	19899	CABLE, THROTTLE	1
14.	17439	SLEEVE, BRAIDED, (For models with tachometers only)	1
15.	18742	THROTTLE, RACHET STYLE	1
16.	18877	GUIDE HANDLE	1
17.	20393	CLAMP, SUPPORT	
18.	20303	HOSE, FUEL, 3/16 I.D. X 20" lg.	1
19.	20476	CAP, 2-1/4", EPA	1
	20472	CAP, 2-1/4", (FOR SUBARU FLOAT CARBURATOR ENGINES ONLY)	
20.	20700	FUEL FILTER, IN-LINE	1
	01045	FUEL FILTER, IN-LINE(FOR SUBARU FLOAT CARBURATOR ENGINES ONLY)	
21.	21839	SHROUD, RAMMER HANDLE	1
22.	21842	FUEL TANK, ONE GALLON, EPA	1
	21876	KIT, FUEL TANK UPDATE (For serial number #4820xxx and lower)	
23.	21847	GASKET, FUEL TANK	1
24.	21848	WELLNUT, 1/4-20	4
25.	21849	MOUNTING BRACKET, FUEL TANK	1
26.	F013205PMS	PAN HEAD SCREW, #6-32 X 5/8" LG.	2
27.	F0132HN	HEX NUT, #6-32	2
28.	F01LW	LOCK WASHER, #6	2
29.	F032402FSS	FLAT HEAD SCREW, #10-24 X 1/4" ZP	2
30.	F042005CB	CARRIAGE BOLT, 1/4-20 X 5/8" LG	4
31.	F042008BCS	BUTTON HEAD SCREW, 1/4-20 X 1.0" LG.	4
32.	F0420ELN	NYLON LOCK NUT	4
33.	F051807FWS	FLANGE SCREW, 5/16-18 X 7/8 ZP	4
34.	F051808FWS	FLANGE SCREW, 5/16-18 X 1 ZP	8
35.	F0518FN	NUT, FLANGE, 5/16-18 ZP	8
	07592	ITEMS NOT SHOWN: TERMINAL, SCOTCHLOK SPLICE (NOT SHOWN)	1
		<b><u>KITS:</u></b>	
	20305	KIT, FUEL HOSE ASSEMBLY (INCLUDES ITEMS #2, 8, 9, 18 & 20)	

INSTALL INTO RAMMER HOUSING USING HIGH STRENGTH (RED) LOCTITE



# Engine Assembly

