

ConstructionParts.com

DMS 240

Reservdelar

Spare parts

Ersatzteile

Pieces de rechange

Piezas de repuesto

Ricambi

Peças sobresselente

ConstructionParts.com

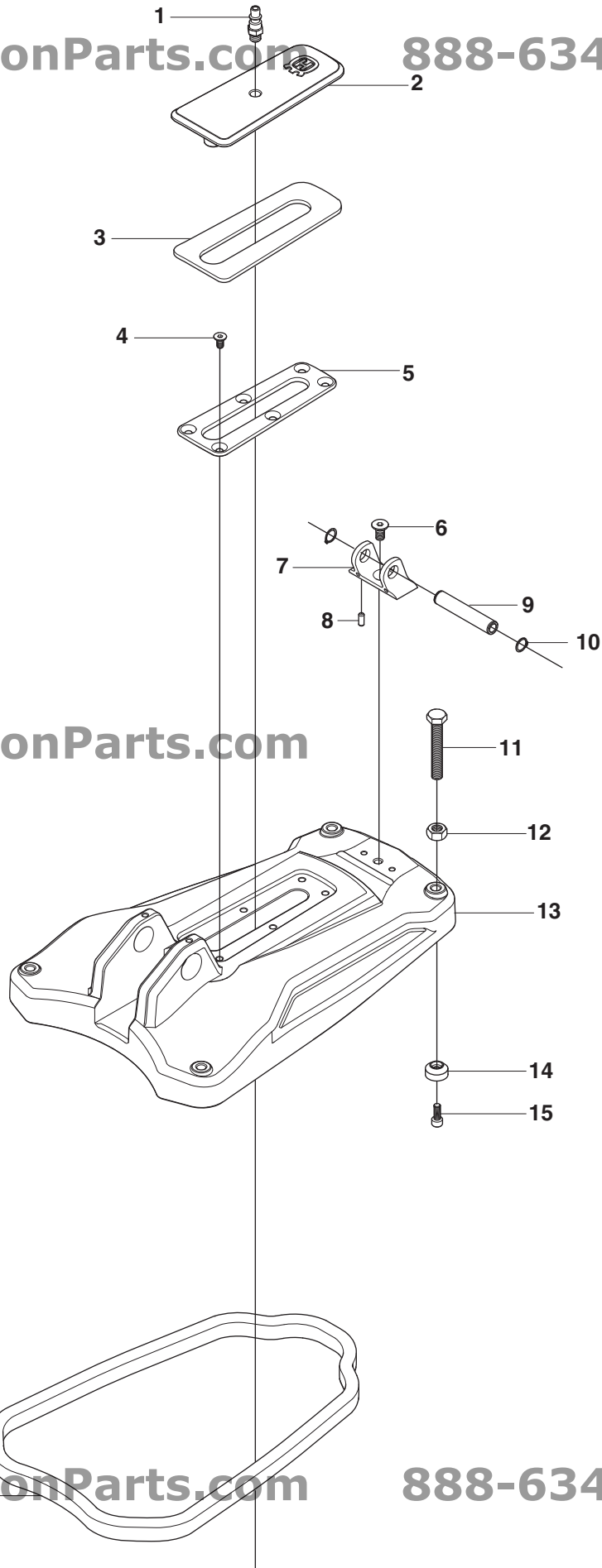
888-634-4289

522 52 10-01

**A**

ConstructionParts.com

888-634-4289



ConstructionParts.com

ConstructionParts.com

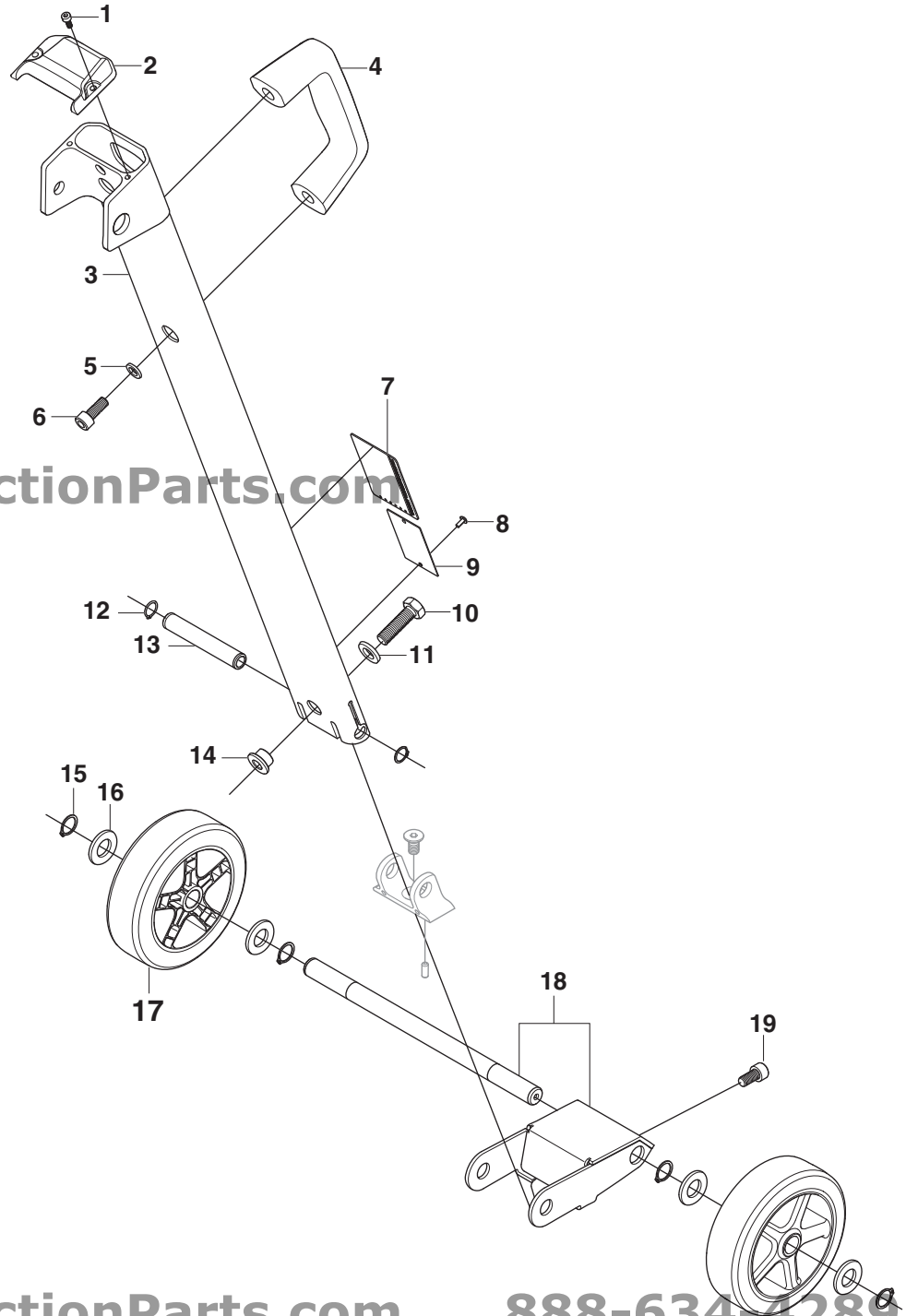
888-634-4289

Pos.	Compl No.	Part No.	Quantity	Notes
1		541 40 40-71	1	
2		541 40 49-04	1	
3		541 40 49-03	1	
4		725 63 66-01	6	
5		541 40 48-92	1	
6		725 64 49-01	1	
7		541 40 48-87	1	
8		720 13 06-50	2	
9		541 40 50-88	1	
10		735 31 15-00	2	
11		541 40 40-80	4	
12		731 23 20-01	4	
13		541 40 48-61	1	
14		541 40 40-84	4	
15		725 53 68-01	4	
16		541 40 48-91	1	

**B**

**ConstructionParts.com**

**888-634-4289**



**ConstructionParts.com**

**ConstructionParts.com**

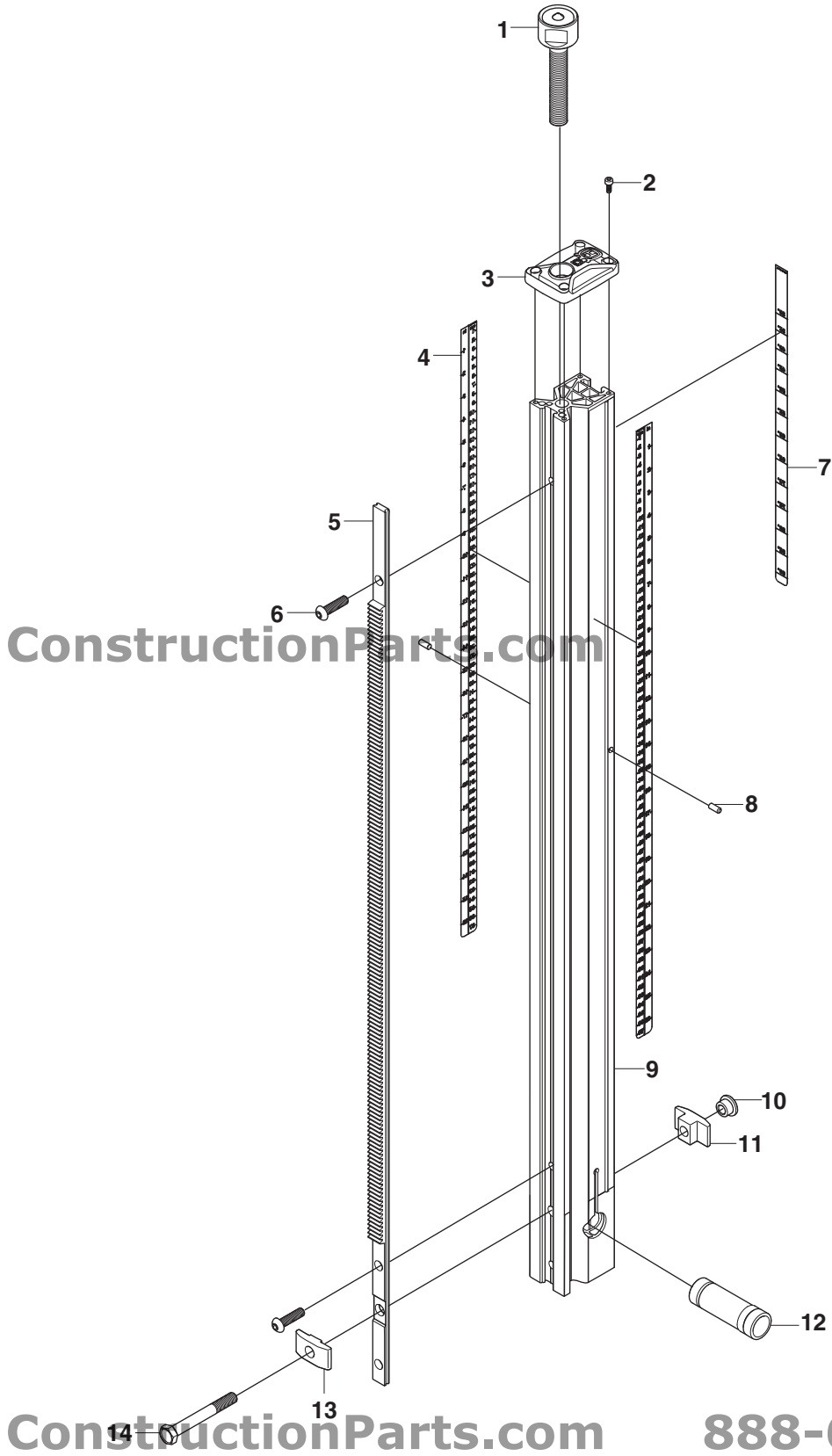
**888-634-4289**

Pos.	Compl No.	Part No.	Quantity	Notes
1		725 52 89-01	2	
2		541 40 48-99	1	
3		541 40 48-83	1	
4		541 40 49-09	1	
5		734 11 63-01	2	
6		725 54 51-01	2	
7		541 40 40-98	1	
8		722 78 25-03	2	
9		541 40 51-67	1	
10		725 24 97-71	1	
11		734 11 72-01	1	
12		735 31 15-00	2	
13		541 40 50-88	1	
14		541 40 50-67	1	
15		735 31 17-01	4	
16		734 11 82-01	4	
17		541 40 50-84	2	
18		541 40 50-87	1	
19		725 54 49-01	1	

C

ConstructionParts.com

888-634-4289



ConstructionParts.com

ConstructionParts.com

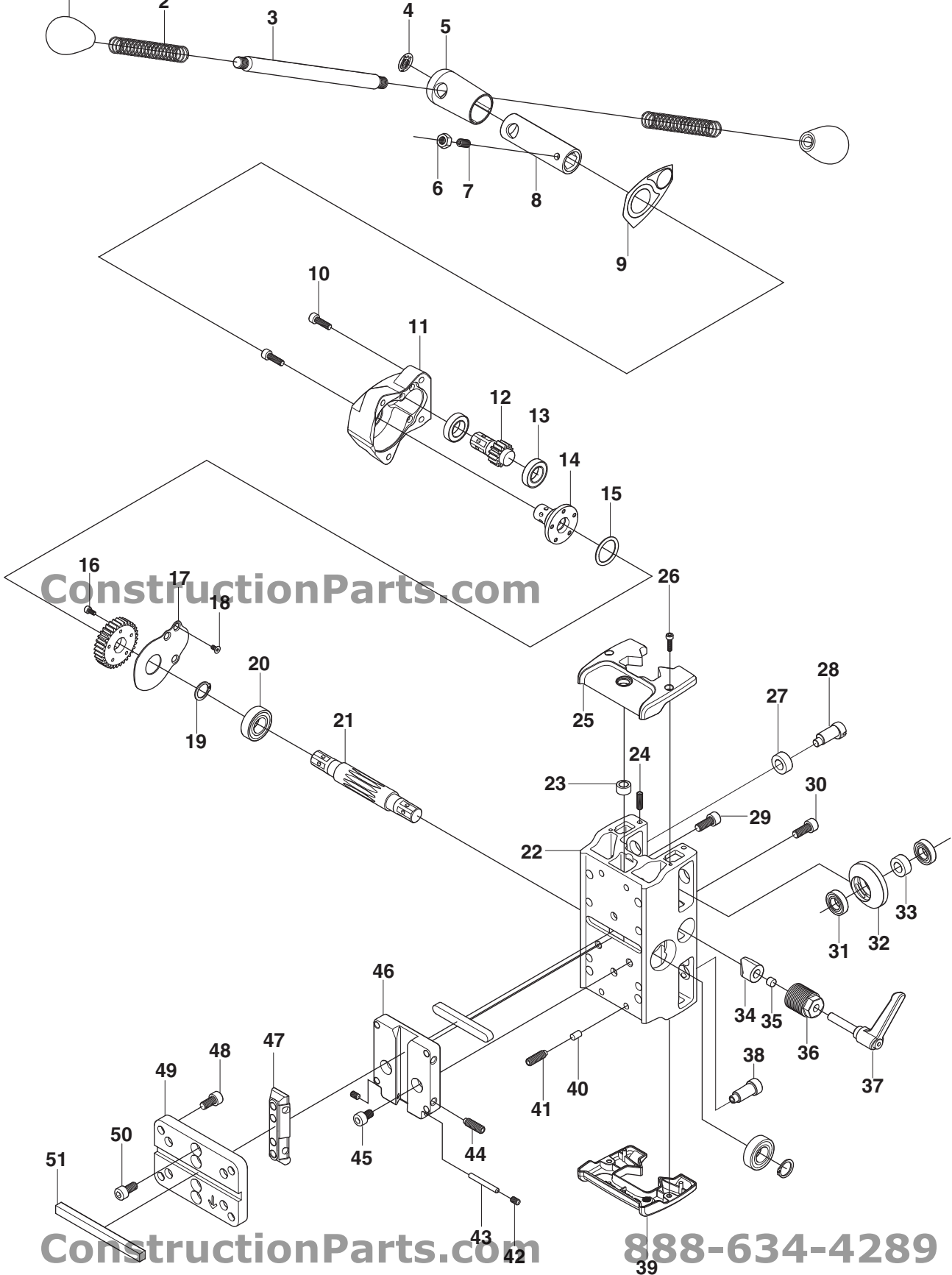
888-634-4289

Pos.	Compl No.	Part No.	Quantity	Notes
1		541 40 48-09	1	
2		725 52 89-01	4	
3		541 40 48-68	1	
4		541 40 40-54	2	
5		541 40 48-78	1	
6		541 40 48-15	3	
7		541 40 48-82	1	
8		720 13 06-50	2	
9		541 40 47-95	1	
10		541 40 50-67	1	
11		541 40 48-70	1	
12		541 40 48-81	1	
13		541 40 48-69	1	
14		725 25 07-51	1	

D

ConstructionParts.com

888-634-4289

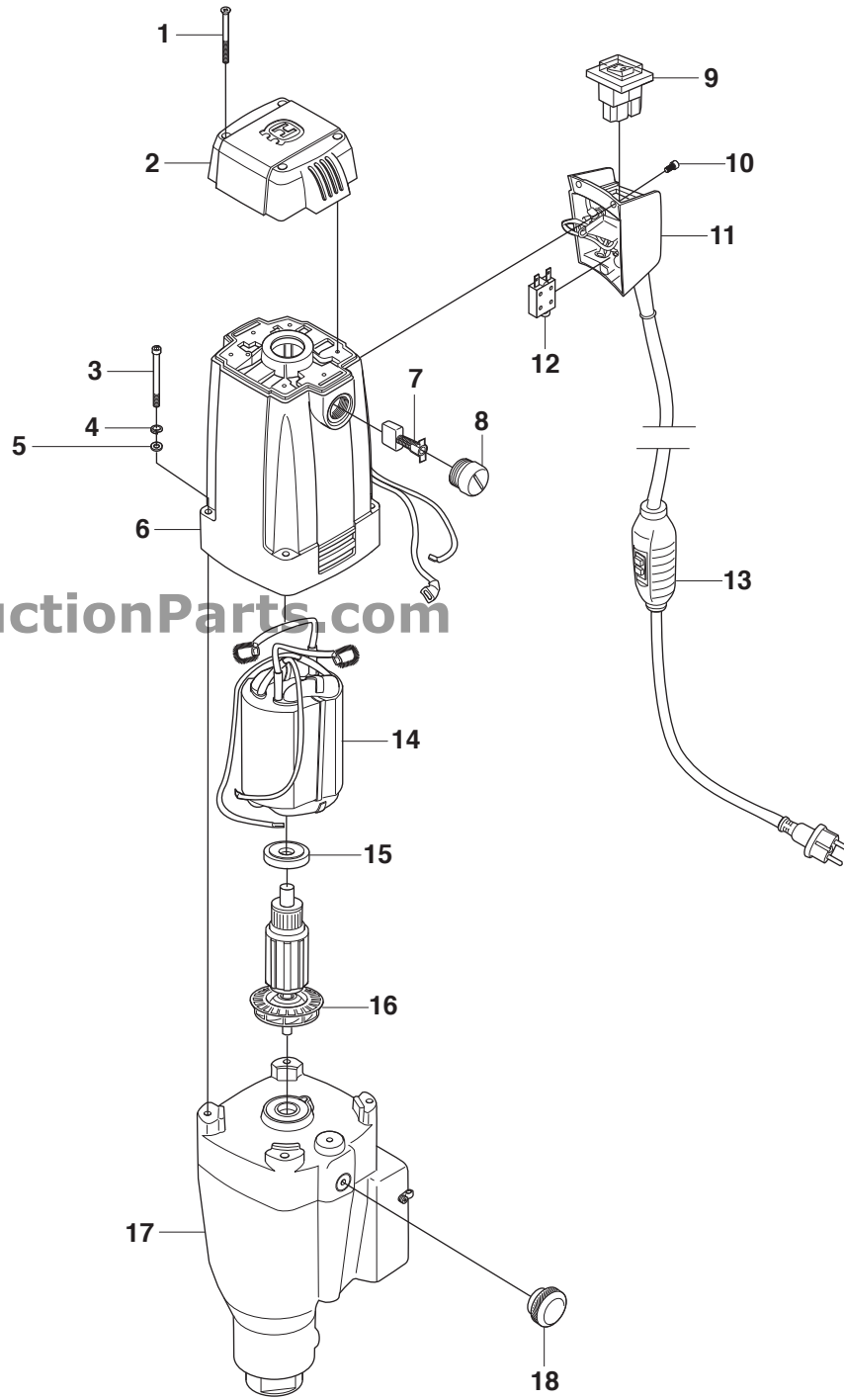


Pos.	Compl No.	Part No.	Quantity	Notes
1		531 14 06-72	2	
2		541 40 51-63	2	
3		541 40 49-05	1	
4		541 40 50-47	1	
5		541 40 51-37	1	
6		732 21 18-01	1	
7		541 40 41-33	1	
8		541 40 40-44	1	
9		541 40 49-35	1	
10		725 53 72-01	5	
11		541 40 49-27	1	
12		541 40 49-11	1	
13		541 40 49-10	2	
14		541 40 49-13	1	
15		740 44 06-00	1	
16		725 52 87-01	5	
17		541 40 49-28	1	
18		725 62 87-01	3	
19		735 31 19-00	2	
20		738 21 03-04	2	
21		541 40 48-06	1	
22		541 40 47-98	1	
23		541 40 50-36	1	
24		728 73 70-01	4	
25		541 40 48-00	1	
26		725 52 93-01	4	
27		541 40 48-03	4	
28		541 40 48-05	2	
29		725 54 51-01	2	
30		725 54 30-01	3	
31		541 40 40-34	8	
32		541 40 48-95	4	
33		541 40 40-36	4	
34		541 40 48-66	1	
35		541 40 48-65	1	
36		541 40 48-64	1	
37		541 40 51-62	1	
38		541 40 48-04	2	
39		541 40 48-62	1	
40		541 40 40-32	4	
41		728 64 53-01	4	
42		728 83 64-01	2	
43		720 13 18-50	1	
44		728 74 55-01	2	
45		725 54 47-01	2	
46		541 40 51-41	1	
47		541 40 51-42	1	
48		725 54 49-01	8	
49		541 40 51-39	1	
50		725 54 49-01	8	
51		541 40 51-43	1	

**E**

**ConstructionParts.com**

**888-634-4289**



**ConstructionParts.com**

**ConstructionParts.com**

**888-634-4289**

Pos.	Compl No.	Part No.	Quantity	Notes
1		724 33 05-55	4	
2		521 89 84-01	1	
3		725 53 88-55	4	
4		521 89 85-01	4	
5		734 11 52-01	4	
6		521 89 86-01	1	
7		505 35 28-01	2	
8		521 89 87-01	2	
9a		521 89 88-01	1	110 V
9b		522 80 78-01	1	230 V
10		723 22 85-31	2	
11a		505 35 30-01	1	110 V
11b		505 35 30-02	1	230 V
12		522 81 11-01	1	230 V only
13a		505 35 29-01	1	EU
13b		505 35 29-02	1	US
13c		505 35 29-03	1	CH
13d		505 35 29-04	1	UK
13e		505 35 29-05	1	AUS
14a		521 89 89-01	1	110V
14b		522 80 79-01	1	230V
15		521 89 90-01	1	
16a		521 89 91-01	1	110V
16b		522 80 80-01	1	230V
17		505 35 27-01	1	
18		521 89 92-01	1	