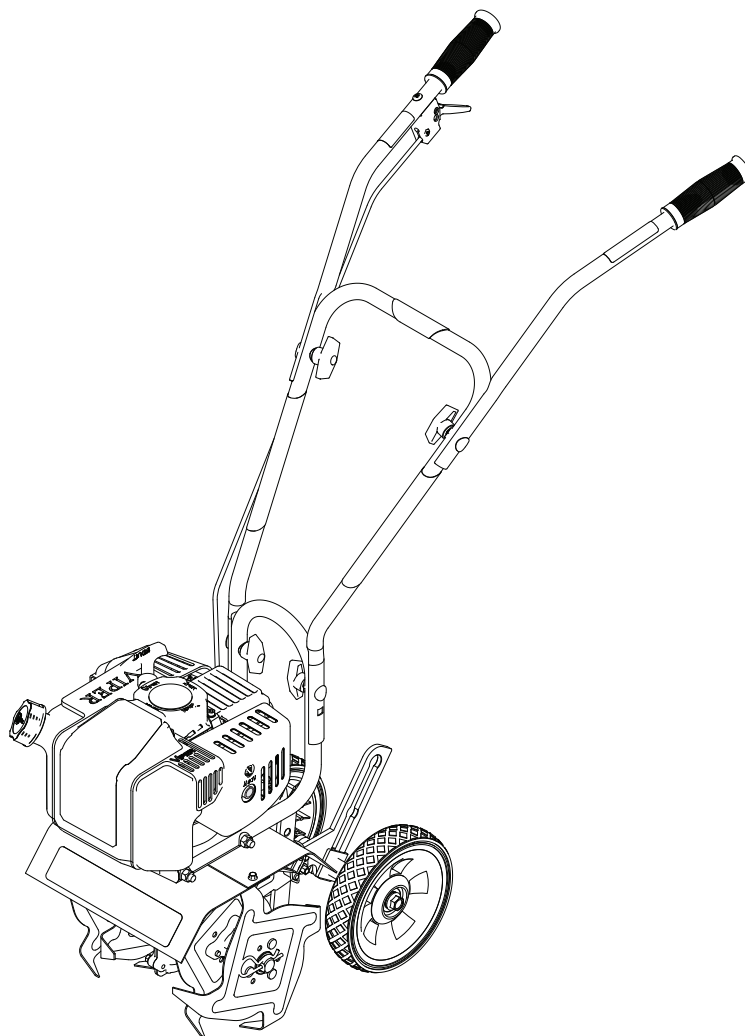




Operator's Manual
Original Operating Instructions
Manuel de l'utilisateur
Manual del operador

MC43
2-Cycle Cultivator
Motobineuse 2 temps
Cultivador de 2 ciclos



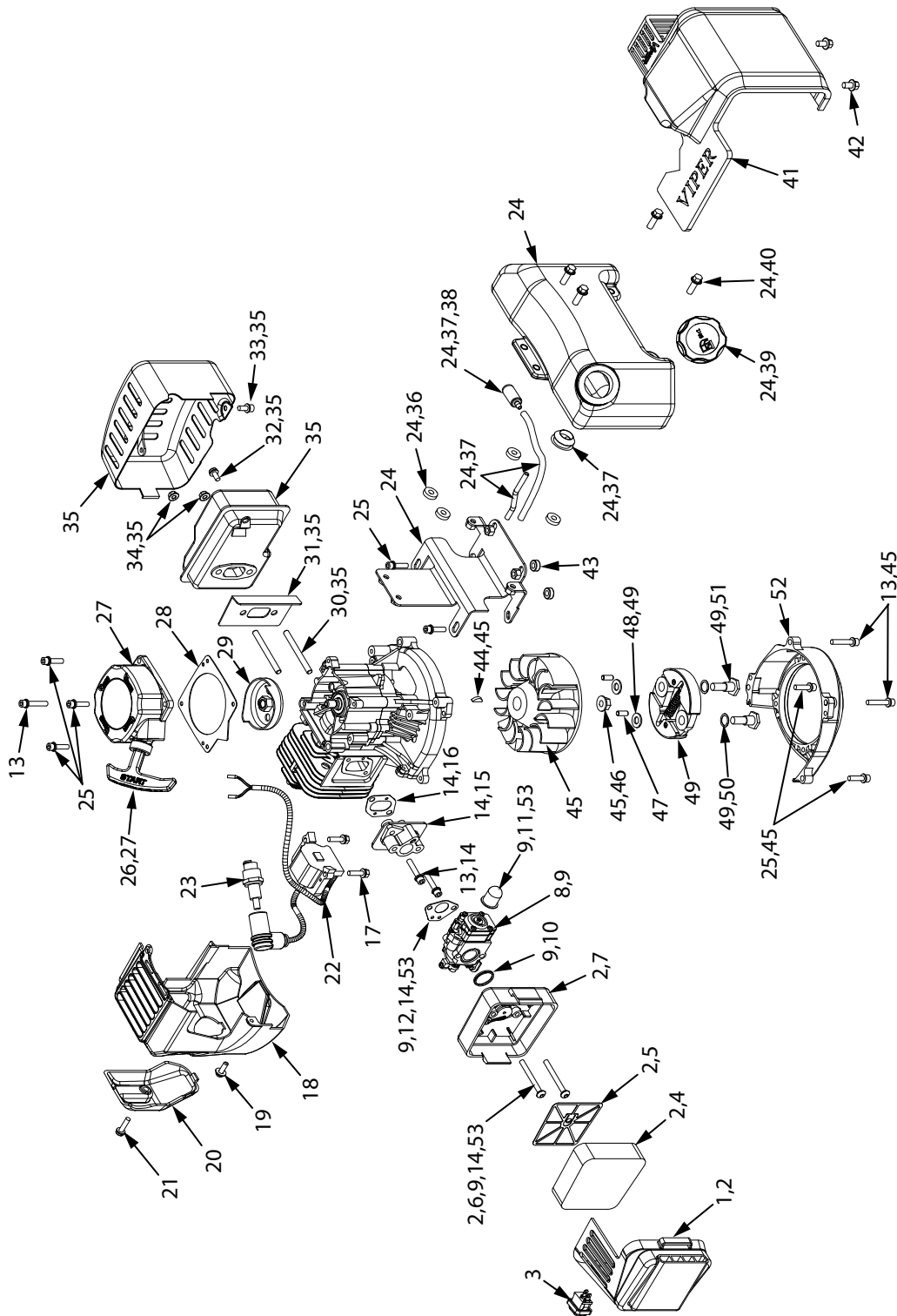
Includes Model:
Inclut le modèle, Incluye el modelo

MC43



P/N: 26478
ECN: 11296
REV1: 10/01/16
© 2016 Ardisam, Inc.
All Rights Reserved
Tous droits réservés
Todos los derechos reservados

ILLUSTRATED PARTS BREAKDOWN - Engine Assembly

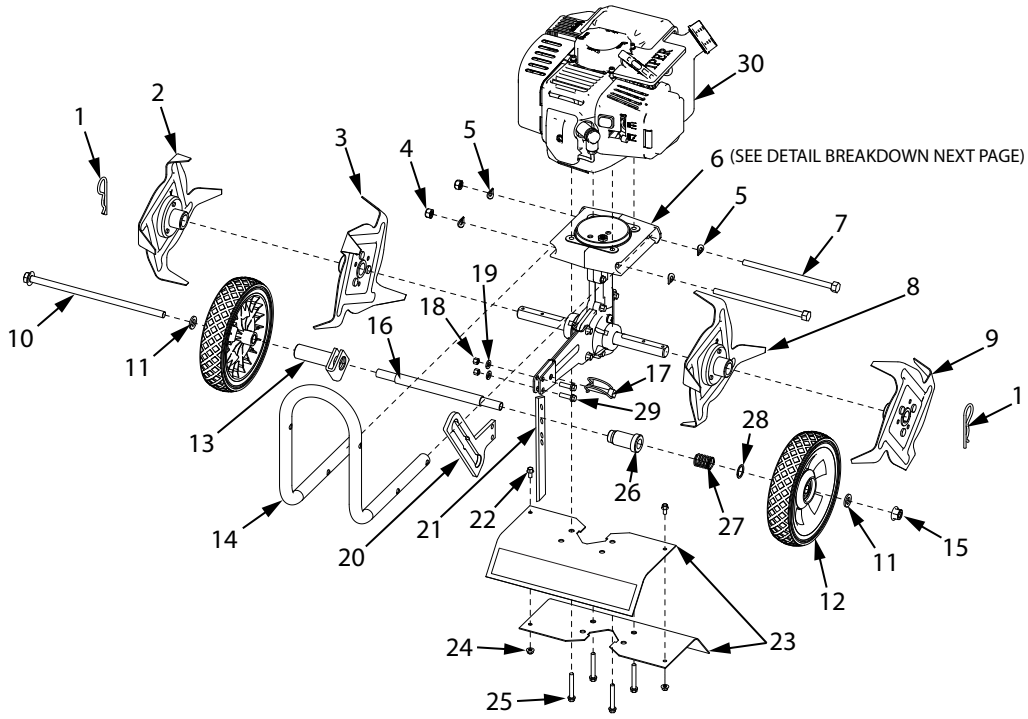


ILLUSTRATED PARTS BREAKDOWN - Engine Assembly

ITEM NO.	PART NO.	DESCRIPTION	QTY.
1	3004158	AIR FILTER COVER	1
2	15230	KIT AIR FILTER ASSEMBLY	1
3	1021	ROCKER SWITCH	1
4	3004156	FOAM ELEMENT AIR FILTER BLOCK	1
5	3004157	AIR FILTER REINFORCEMENT FRAME	1
6	15209	BOLT M5 X 52 WITH WASHER	2
7	3004150	AIR FILTER BASE ASSEMBLY	1
8	15261	CARBURETOR 43CC NO TAMP	1
9	11334	KIT CARBURETOR REPLACEMENT	1
10	300481	CARBURETOR O-RING	1
11	3004109	CARBURETOR PRIMER BULB	1
12	300479	CARBURETOR GASKET	1
13	17952	BOLT M5 X 28 WITH WASHER	5
14	11205	KIT INTAKE MANIFOLD	1
15	300478	WINDPIPE INTAKE	1
16	300476	GASKET INTAKE	1
17	300335	BOLT M5 X 20 HEX HEAD WITH WASHER	2
18	300482	ENGINE SHROUD RED	1
19	10887	BOLT M5 X 16 BUTTON HEAD WITH WASHER	1
20	300483	ENGINE SHROUD CAP END BLACK	1
21	300439	BOLT M5 X 20 BUTTON HEAD WITH WASHER	1
22	26579	IGNITION COIL	1
23	35906	SPARK PLUG L7RTC TORCH	1
24	10683	KIT GAS TANK	1
25	17946	BOLT M5 X 20 WITH WASHER	7
26	3004121	RECOIL HANDLE	1

ITEM NO.	PART NO.	DESCRIPTION	QTY.
27	300430	RECOIL ASSEMBLY	1
28	300429	RECOIL SPACER PLATE	1
29	300491	RECOIL CLUTCH CUP	1
30	300493	STUD M6 X 62	2
31	300475	GASKET MUFFLER HEAT SHIELD	1
32	300471	BOLT M5 X 12 WITH WASHER	1
33	17888	BOLT M5 X 12 SOCKET HEAD WITH WASHER	1
34	300492	NUT M6 X 1 HEX FLANGE	2
35	25977	KIT MUFFLER STRAIGHT EJECTION DPS30	1
36	11190	SPACER M5 X 4 NYLON	4
37	3004105	KIT FUEL LINE TWO HOLE GROMMET	1
38	3004103	FUEL FILTER	1
39	11936	GAS CAP TWO WAY SELF VENTING	1
40	4647	BOLT M6 X 18 HEX FLANGE	4
41	300332	GAS TANK SHROUD BLACK	1
42	300336	BOLT M6 X 10 HEX FLANGE	2
43	11189	SPACER M5 X 5	2
44	300338	KEY WOODRUFF 3 X 5 X 12	1
45	11209	KIT FLYWHEEL	1
46	300337	NUT M8 X 1.25 HEX FLANGE	1
47	300467	DOWEL PIN 5 X 12	2
48	300462	WASHER 15.8 X 8.4 X 1.6	2
49	11235	KIT CLUTCH	1
50	300449	WAVE WASHER 10 X 15 X 0.25	2
51	300450	BOLT M8 X 25 SHOULDER 10	2
52	300487	FLYWHEEL SHROUD	1
53	3004114	KIT CARBURETOR REPAIR	1

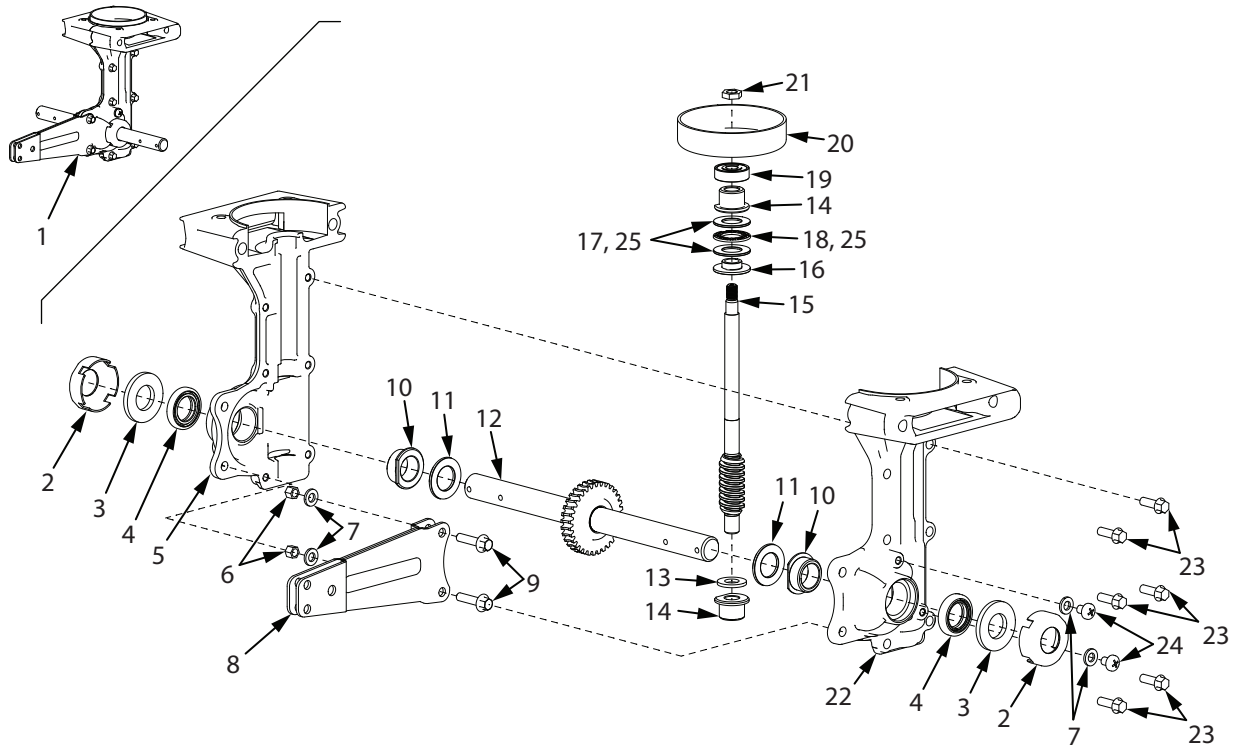
ILLUSTRATED PARTS BREAKDOWN - Hood & Tines Parts Explosion



ITEM NO.	PART NO.	DESCRIPTION	QTY.
1	4652	HAIR PIN, 5/8-3/4 INCH COTTER	2
2	4601	TINE "A" RIGHT OUTSIDE	1
3	4603	TINE "B" RIGHT INSIDE	1
4	400023	NUT M8 NYLOCK	2
5	4641	WASHER M8 CURVED	4
6	26013	TRANSMISSION ASSEMBLY	1
7	46141	BOLT M8 X 1.25 X 155 HEX FLANGE	2
8	4602	TINE "C" LEFT INSIDE	1
9	4604	TINE "D" LEFT OUTSIDE	1
10	4687	BOLT M10 X 1.5 X 231 HEX FLANGE	1
11	2431	WASHER M10 NARROW FLAT	2
12	13189	WHEEL 180 X 38 MM DIAMOND TREAD GREY HUB	2
13	4678	GUIDE WHEEL TUBE	1
14	15104	HANDLEBAR LOWER	1

ITEM NO.	PART NO.	DESCRIPTION	QTY.
15	4629	NUT M10 X 1.5 CENTER LOCK HEX	1
16	4674	WHEEL TUBE	1
17	18039	PIN LOCK 8MM X 40MM	1
18	4650	NUT M6 NYLOCK	2
19	W1200117	WASHER M6 X 13 X 1.75 FLAT	2
20	4673	WHEEL HOLDER	1
21	4600	DRAG STAKE	1
22	176	BOLT M5 X 0.8 X 10 HEX FLANGE	2
23	23441	TINE SHIELD	2
24	400020	NUT M5 X 0.8 NYLOCK FLANGE	2
25	4625	BOLT M6 X 1.0 X 42 HEX FLANGE	4
26	4684	TUBE WHEEL LOCK	1
27	4685	SPRING WHEEL LOCK	1
28	13230	WASHER 21 X 16 X 1 MM	1
29	46142	BOLT M6 X 1.0 X 15 HEX FLANGE	2
30	23433	ENGINE MC43 VIPER	1

ILLUSTRATED PARTS BREAKDOWN - Transmission Parts Explosion

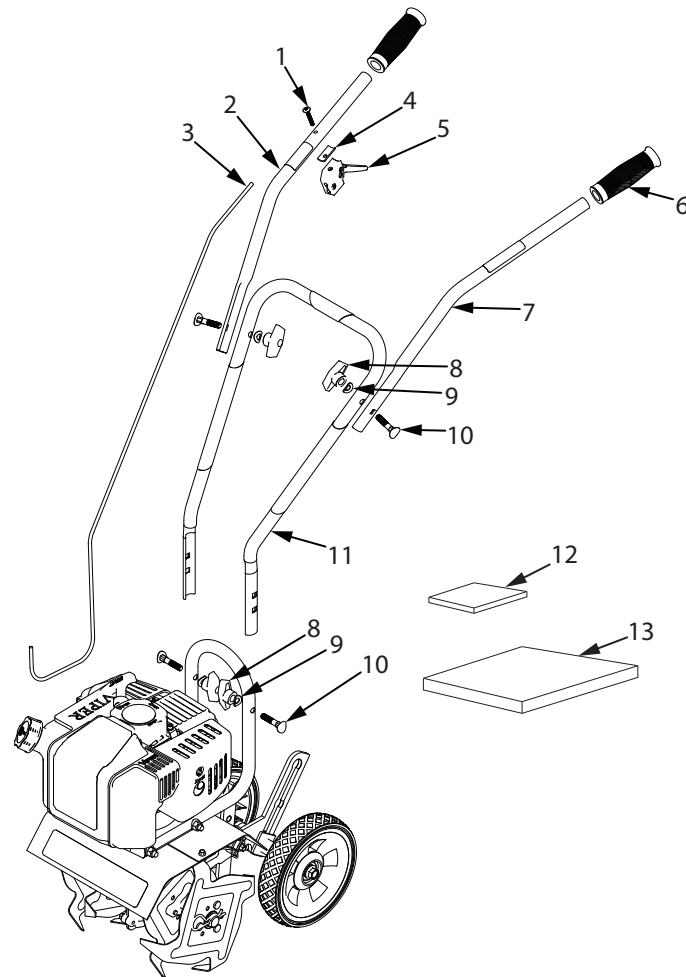


ITEM NO.	PART NO.	DESCRIPTION	QTY.
1	26013	TRANSMISSION ASSEMBLY	1
2	46144	DUST CAP	2
3	4606	FIBER WASHER	2
4	4646	TINE SHAFT SEAL	2
5*	---	TRANSMISSION CASTING LEFT	1
6	4650	NUT M6 NYLOCK	2
7	W1200117	WASHER M6 X 12 X 1 MM	4
8	4633	WHEEL & DRAG STAKE MOUNT	1
9	13600	BOLT M6 X 1.0 X 25 HEX FLANGE	2
10	25159	TINE SHAFT BUSHING STEEL	2
11	4610	TINE SHAFT SHIM	2
12	4651	GEAR AND TINE SHAFT ASSY	1
13	4616	BUSHING SPACER	1

ITEM NO.	PART NO.	DESCRIPTION	QTY.
14	4614	DRIVE SHAFT BUSHING BRONZE	2
15	21953	DRIVE SHAFT	1
16	4617	THRUST BEARING REDUCER	1
17	4618	THRUST WASHER	2
18	4619	THRUST BEARING CAGE	1
19	4623	BALL BEARING 9 X 26 X 8 MM	1
20	300414	CLUTCH DRUM	1
21	4620	JAM NUT M8	1
22*	---	TRANSMISSION CASTING RIGHT	1
23	4647	BOLT M6 X 1.0 X 18 HEX FLANGE	6
24	13447	BOLT M6 X 1.0 X 8 PHILLIPS	2
25	4615	KIT THRUST BEARING SET	1

* PURCHASE TRANSMISSION ASSEMBLY 26013

ILLUSTRATED PARTS BREAKDOWN - Handlebar Parts Explosion



ITEM NO.	PART NO.	DESCRIPTION	QTY.
1	4814	BOLT 10-24 X 1-1/4 PHILLIPS	1
2	23442	HANDLEBAR UPPER RIGHT	1
3	14645	THROTTLE CABLE	1
4	12633	RUBBER PAD	1
5	4809	TRIGGER ASSEMBLY SHORT THROW	1
6	4639	HANDLEBAR GRIP	2
7	23443	HANDLEBAR UPPER LEFT	1
8	4640	T-HANDLE NUT	4
9	4641	CURVED WASHER	4
10	4642	SADDLE BOLT	4
11	4693	HANDLEBAR MIDDLE	1
12	12621	HANDLEBAR PARTS PACKET	1
13	23434	MANUAL PARTS BAG	1