



CONCRETE SAWS

Models: C-188—C-148—C-758

Operating Instructions Maintenance Instructions Parts List

UNCRATING AND ASSEMBLY: Remove saw from crate and assemble as follows:

1. Attach front pointer assembly to saw by tightening pivot bolts.
2. Insert handles into holes provided and lock in place with chain mounted lock pins.
3. Retighten all belts and hardware after first four hours.
4. Fill battery with electrolyte provided.

WARNING

The electrolyte is *Sulfuric Acid*. READ and OBSERVE all instructions and safety precautions on container. Wear safety glasses or goggles while handling and pouring the electrolyte. The electrolyte should be added to the battery in an area where running water is quickly available for rinsing should it come in contact with the body. Before disposing of container, empty and rinse thoroughly with water.

SELF PROPELLING UNIT: The fluid level of the transmission must be maintained to the cold line when the transmission is cold. Add automatic transmission fluid as required to maintain this level.

The transmission does not require periodic change of oil.

The speed control and reverse is the *left hand* lever on the cowl. Pulling it back to the stop will put the transmission in neutral.

ENGINE: The concrete saw is shipped *without* oil in the engine crankcase. *Be sure* it is filled to the proper level. Fill the fuel tank with regular gasoline. Disconnect the V-Belt to the water pump (*during the break-in period only*).

When the saw is equipped with a blade saver switch the button on the blade saver switch *must be pushed in before* starting the engine.

For instructions on starting, warm-up and break-in of engine, refer to the Engine Instruction Book.

ELECTRIC MOTOR (Model C-758). Check the nameplate on electric motor to make sure that the voltage cycle and phase correspond to the available power supply. Provide a fusible, disconnect switch and connect motor in accordance with the requirements of the local electric code. (*10.4 AMPS for 460 volts, 20.8 AMPS for 230 volts FULL LOAD CURRENT*).

WATER SUPPLY: Connect water supply hose to inlet water connection (*garden hose fitting*). Use water valve to control flow of water to blade.

1. *For Saws Equipped With Water Pump:* The water pump is of a design that can be run dry for short, infrequent periods. If the pressure in the water supply hose to the saw is in excess of 30 PSI, connect water supply directly to fitting on left of cowl to prevent water pressure from compressing pump seal and causing it to leak.
2. *For Saws Without Water Pump:* It is necessary that the water supply to the saw be of sufficient pressure to furnish a minimum of two (2) gallons per minute flow to the blade.

OPERATION: The best cutting speed and economy can be obtained by following the instructions listed in this section and by selection of the right blade for the job. Your local *Clipper Dealer* or *Area Market Manager* can provide accurate blade recommendations to meet all cutting requirements.

— SAFETY PRECAUTIONS —

IMPORTANT—The following safety precautions *must* be observed

1. Before mounting any blade on the saw, the blade should be inspected for damage which may have occurred during shipment or handling.
2. The blade shaft collars and arbor should be cleaned and examined for damage before mounting blade.
3. Blade must be properly fitted over arbor and drive pin. Drive pin must project through hole in blade and into collar.
4. Blade shaft nut must be tightened securely against outside blade shaft collar. When tightening blade shaft nut, spark plug should be disconnected or shaft lock pin used.
5. The blade must be operated within the specified maximum operating speed listed on the blade. Blade shaft speeds provided are listed below:

MODEL C-148			
Full Throttle Operating Condition	BLADE SHAFT RPM		
	Engine RPM	14" Blade	18" Blade
No Load	2750	2750	2100

MODEL C-188			
Full Throttle Operating Condition	BLADE SHAFT RPM		
	Engine RPM	14" Blade	18" Blade
No Load	2400	2750	2050

6. Adequate coolant must be used for wet cutting abrasive and all diamond blades.
7. Blade guard must be in place when saw is running. *Always* use proper size blade guard for the size blade being used.
8. The operator should wear safety glasses.
9. When starting the saw, the operator should stand outside the path of the blade.
10. If for any reason the saw stalls in cut, raise blade out of cut and check outside bladeshaft collar and nut for tightness before re-starting engine. Use care when resuming a cut. Make certain that blade is in alignment with previous cut.
11. During cutting, *do not exert excess side pressure* on the handles as a method of steering. Do not force the blade into material by lowering the blade too fast or by propelling saw too fast.

STARTING ENGINE: On units with *self-propelling*, engage brake by placing drive brake-lever in rear notch before starting engine.

When saw is equipped with a blade-saver switch, the button on the blade saver switch must be pushed in before starting engine.

For instructions on starting and warm-up of engine refer to Engine Instruction book.

After engine warm-up, always operate at full throttle.

ALIGN SAW WITH MARKED LINE: To turn and position saw, lift rear wheels by means of the maneuvering handles. **IMPORTANT - Do not tilt** saw too far forward to keep blade from contacting concrete.

Align blade carefully by placing *front* and *rear pointer* and *blade* in line with proposed line of cut.

WET CUTTING: Water may be supplied either by having sufficient pressure at source to insure adequate flow or by using the water pump to increase pressure.

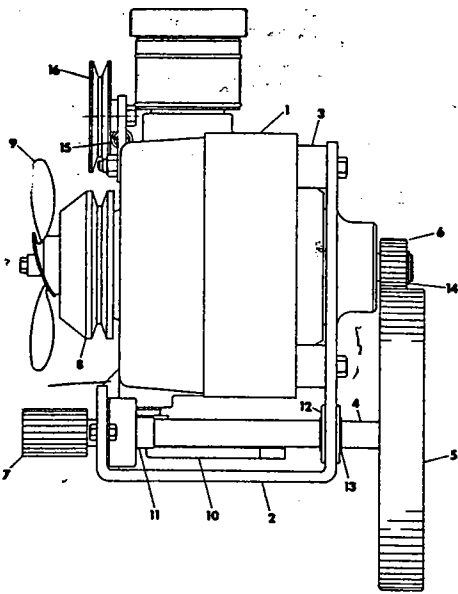
1. Turn on water at source and use water valve to control flow of water to blade. Be sure that both sides of the blade are getting an adequate flow of water, a *minimum* of 2 gallons per min.

DRY CUTTING: If the saw is equipped with a water pump, always disconnect the water pump belt before using saw for dry cutting.

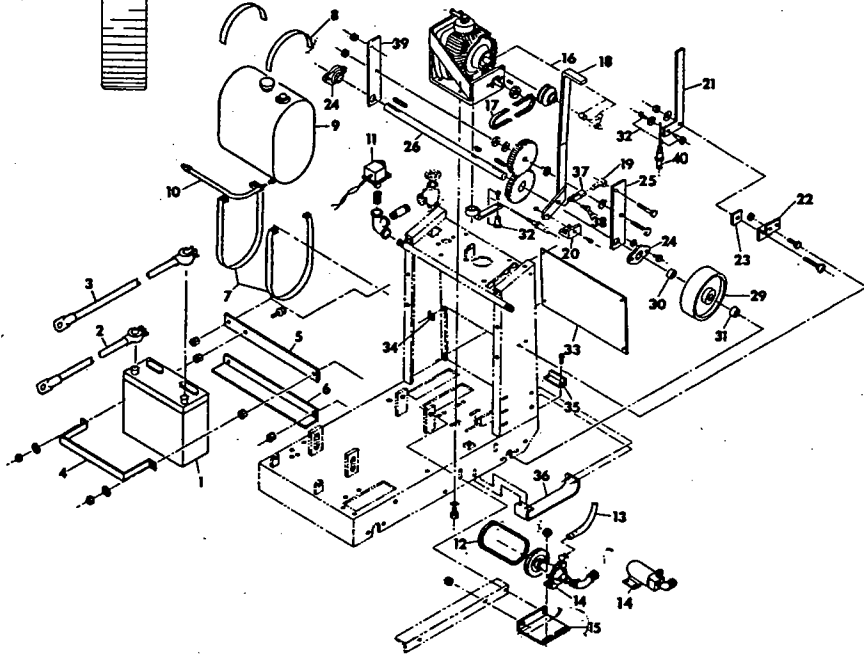
LOWER BLADE INTO CONCRETE: Lower blade carefully by hand-wheel *counterclockwise*. **DO NOT force blade.** Engage depth lock on handwheel when desired depth is reached.

USING SELF-PROPELLING UNIT:

1. **SPEED CONTROL LEVER:** The left hand lever is the speed control and reversing lever. Pushing this lever slowly forward will vary the forward speed of the saw from cutting speed to road speed. Pulling it back to the stop puts the transmission in neutral (*should saw creep in neutral—see Maintenance Instructions for adjustments*). Pushing the lever to the left and back puts the transmission in reverse.
2. **CLUTCH/BRAKE LEVER:** The right hand, horizontal lever is the clutch/brake lever. It has three positions into which it can be locked. The middle position disengages the transmission out-put gear from the rear axle. This position can be used when aligning the saw, towing the saw or when you want to stop sawing. Pulling this lever back engages



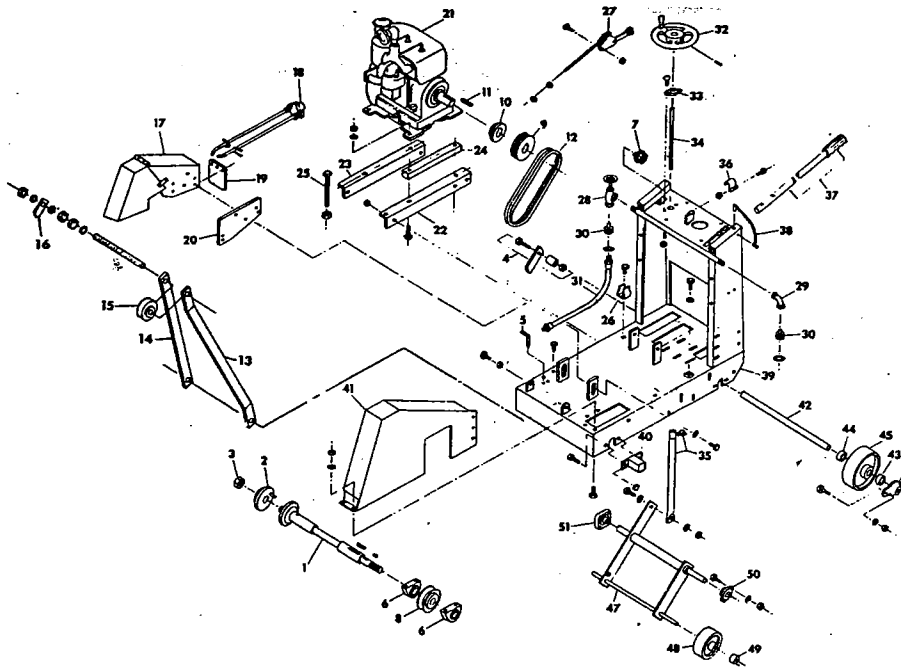
ITEM NO.	TRANSMISSION ASSEMBLY DESCRIPTION	
1	TRANSMISSION	106344
2	TRANSMISSION BRACKET WELDMENT	OBS 106352
3	SPACER	106377
4	JACKSHAFT	106346
5	GEAR	106380
6	GEAR, TRANSMISSION	106376
7	GEAR	106385
8	PULLEY	108845 106395
9	FAN	106396
10	CONTROL ARM WELDMENT	OBS 106370
11	BEARING	106383
12	BEARING	OBS 106388
13	SNAP RING	106384
14	RETAINING RING	106401
15	SPRING	121228
16	PULLEY	108283



ITEM NO.	DESCRIPTION	PART NO.
* 1	Battery	OBS 122269
* 2	Battery Cable, Ground	106182
* 3	Battery Cable, To Starter	105500
* 4	Battery Strap	106138
* 5	Bar	106127
* 6	Angle	106126
* 7	Tank Strap	106123
* 8	Rubber Strip	122190
* 9	Fuel Tank 3-1/2 GAL	106128
* 10	Fuel Line	OBS 100129
BLADE SAVER SWITCH		
* 11	Blade Saver Switch (Distributor Ignition Engine)	OBS 122286
	Blade Saver Switch (Magneto Ignition Engine)	122345
WATER PUMP		
12	V-Belt C-188, 14" Blade Capacity	102239
	V-Belt C-188, 18" Blade Capacity	100189
	V-Belt, C-148, 14" Blade Capacity	106234
	V-Belt, C-148, 18" Blade Capacity	103504
	V-Belt, C-758, 14 & 18" Capacity	101596
13	Hose Assembly	OBS 101672
	Water Pump Assembly	106385
14	Water Pump Assembly C-758	106391
	Electric Water Pump C-188	107744 106481
	Mounting Bracket C-148, C-188	OBS 106180
15	Mounting Bracket C-758	OBS 106326

ITEM NO.	DESCRIPTION	PART NO.
SELF-PROPELLING & BRAKE		
16	Transmission Assembly	OBS 106394
17	V-Belt 14"	106381
	V-Belt 18"	106382
18	Clutch Control Arm	OBS 106422
19	Rod Weldment	106426
20	Bracket	106428
21	Speed Control Arm	OBS 106394
22	Control Mounting Bracket	106361
23	Brake Pad	OBS 106370
24	Bearing	121055
	Gear Pivot L.H.	106434
26	Axle	OBS 106349
27	Gear, Idler	106158
28	Gear, Axle	OBS 106375
29	Wheel	106365
30	Spacer	OBS 106387
31	Collar	101132 106116
32	Swivel Connector Fitting	107249
33	Rear Door	OBS 106398
34	Nut Retainer	107591
35	Brake Bar	OBS 106394
36	Gravel Guard	106399
37	Clevis	OBS 210576
38	Clevis Pin	210577
39	Gear Pivot R. H.	OBS 106425
40	CABLE	106390

WRENCH 105377



ITEM NO.	DESCRIPTION	OBS	PART NO.
1	BLADE SHAFT ASSEMBLY—INCLUDES BLADE SHAFT AND ITEMS 2 & 3	OBS	106219
2	LOOSE COLLAR		102318
3	NUT, 1" L.H. FOR RIGHT SIDE		105376
4	REAR POINTER ASSEMBLY	OBS	106405
5	LOCK PIN	OBS	106402
6	BEARING		106218
7	DEPTH INDICATOR ASSEMBLY	OBS	107344
8	SHEAVE—BLADE SHAFT		106139
9	SHEAVES—ENGINE—3.25 OD		106493
	3.65 OD		106495
	4.25 OD		106239
	4.45 OD		106492
	4.85 OD		106143
	5.5 OD		106231
10	SHEAVE—ACCESSORY DRIVE (C-188)		106141
	SHEAVE—ACCESSORY DRIVE (C-148)		106233
	SHEAVE—ACCESSORY DRIVE (C-758)	OBS	106392
	KEY - (C-188)		9201192
11	KEY - (C-148)		9201125
	KEY - (-758)	OBS	9201156
	FOR DRIVE BELTS CONSULT STICKER OR USE ENGINE SHEAVE O.D.		
12	3.25, 4.45 USE BELT #	OBS	106494
	3.65, 4.25, 4.85, 5.5		106230
	6.25, OR 4.85 WITH SPACER		106142
13	POINTER LEG	OBS	108411
14	POINTER LEG	OBS	108414
15	WHEEL		108412
16	POINTER		106392
17	BLADE GUARD ASSEMBLY (14" BLADE CAP)		106308
	BLADE GUARD ASSEMBLY (18" BLADE CAP)		107026
18	TEES & TUBES COMPLETE		104374
19	SPLASH GUARD		106363

ITEM NO.	DESCRIPTION	OBS	PART NO.
21	ENGINE - C-188 - 18 HP ELECTRIC START	OBS	406401
	ENGINE - C-188 - 18HP MANUAL START		406400
	ENGINE - C-148 - 14HP MANUAL START		106226
	MOTOR - C-758 - 7 1/2 HP ELECTRIC		210225
22	ENGINE RAIL (C-188)		106126
	ENGINE RAIL (C-148)		106228
	ENGINE RAIL (C-758)		106390
23	ENGINE RAIL (C-188)		106425
	ENGINE RAIL (C-148)		106187
	ENGINE RAIL (C-758)		106320
24	SPACER - 18" CAPACITY ONLY		406444
25	SET SCREW - (BELT TIGHTENER)		8090126
26	CLIP (ENGINE CRANK C-188)		405177
27	THROTTLE CONTROL (C-148 ONLY)		106227
28	WATER COCK		122193
29	ELBOW	OBS	8439002
30	SWIVEL HOSE SITTING		101088
31	HOSE ASSEMBLY	OBS	106467
32	HANDWHEEL	OBS	106185
33	BEARING		106169
34	RAISING SCREW		106184
35	TUBE & NUT ASSY. (INCL. GREASE FTG.)	OBS	106170
36	DEPTH LOCK		121039
37	MANEUVERING BAR ASSEMBLY		106299
38	PIN & CHAIN ASSY. (INCL. MTG. SCREW)		121389
39	MAIN FRAME WELDMENT		106356
40	SHAFT GUARD ASSEMBLY		107614
41	BELT GUARD		106440
42	AXLE (PUSH MODEL ONLY)		106389
43	SET COLLAR (PUSH MODEL ONLY)		101132
44	SPACER	OBS	106387
45	WHEEL (PUSH MODEL ONLY) SELF PRO 106365	OBS	106384
46	BEARING		121968
47	AXLE & PIVOT WELDMENT	OBS	106403
48	WHEEL		106167
49	COLLAR		101132
50	BEARING		121055
51	BEARING	OBS	407484

LIMITED WARRANTY

Norton warrants all Products manufactured by it against defects in workmanship or materials for a period of one (1) year from the date of shipment to Customer.

The responsibility of Norton under this Warranty is limited to replacement or repair of defective parts at Norton's Gainesville, Ga., factory, or at a point designated by it, of such part as shall appear to us upon inspection at such point, to have been defective in material or workmanship, with expense, for transportation and labor borne by Customer.

In no event shall Norton be liable for consequential damages arising out of the failure of any Product to operate properly.

Integral units such as gasoline engines, electric motors, transmissions, etc. are excluded from this Warranty and are subject to the prime manufacturer's warranty.

THIS WARRANTY IS IN LIEU OF ALL OTHER WARRANTIES, EXPRESS OR IMPLIED.