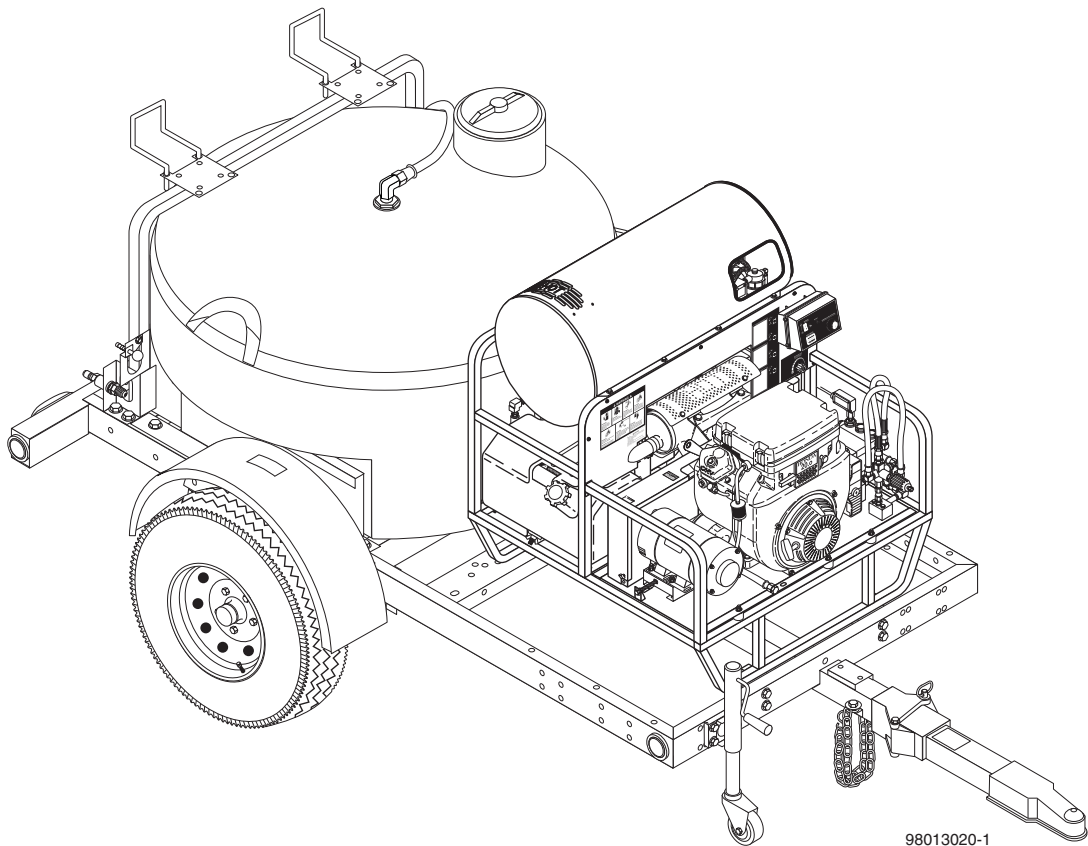




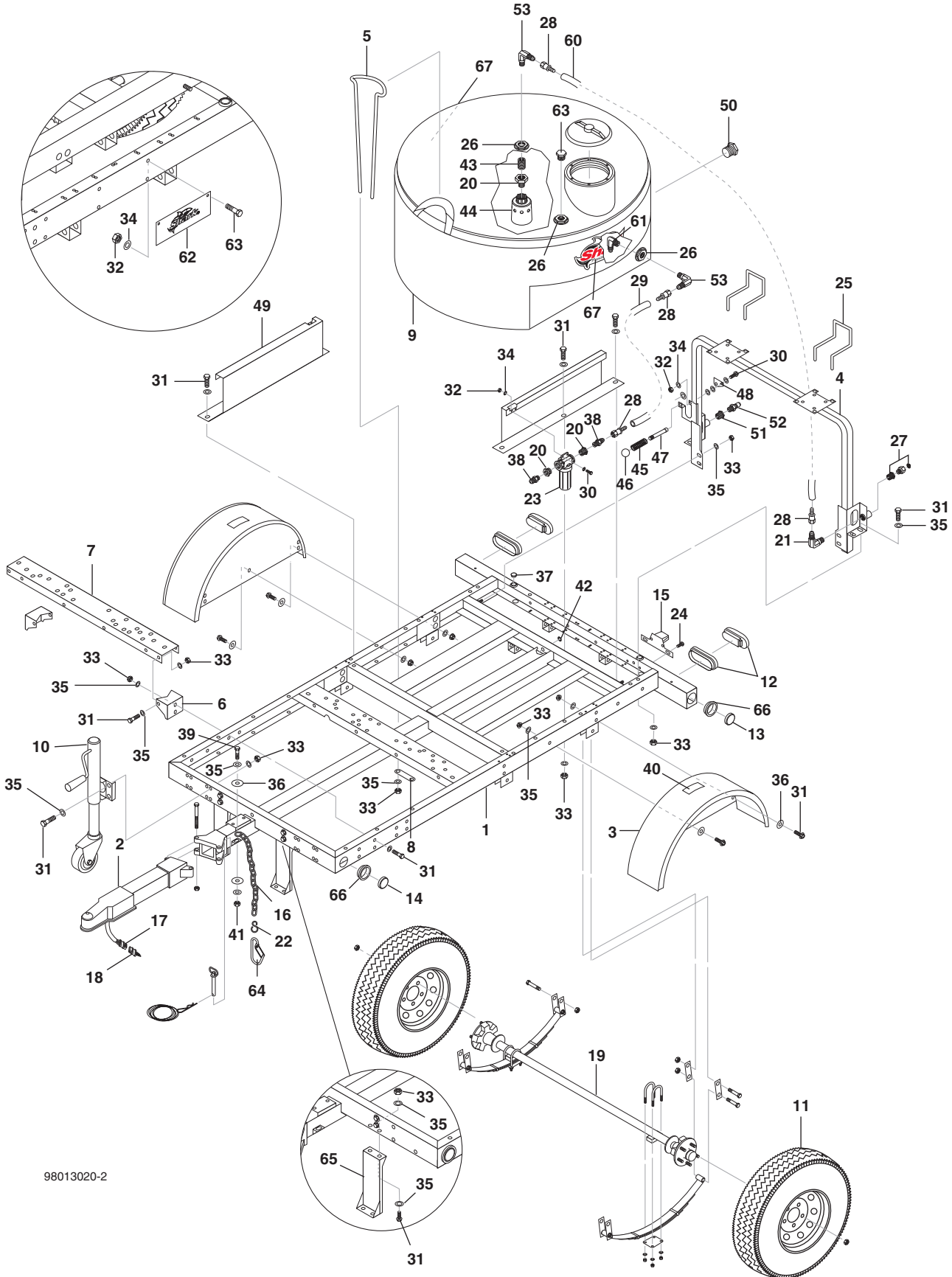
TRAILER SERVICE MANUAL

- TRS-2500
- TRS-3500
- TRS-6000



98013020-1

TRS-2500 TRAILER EXPLODED VIEW



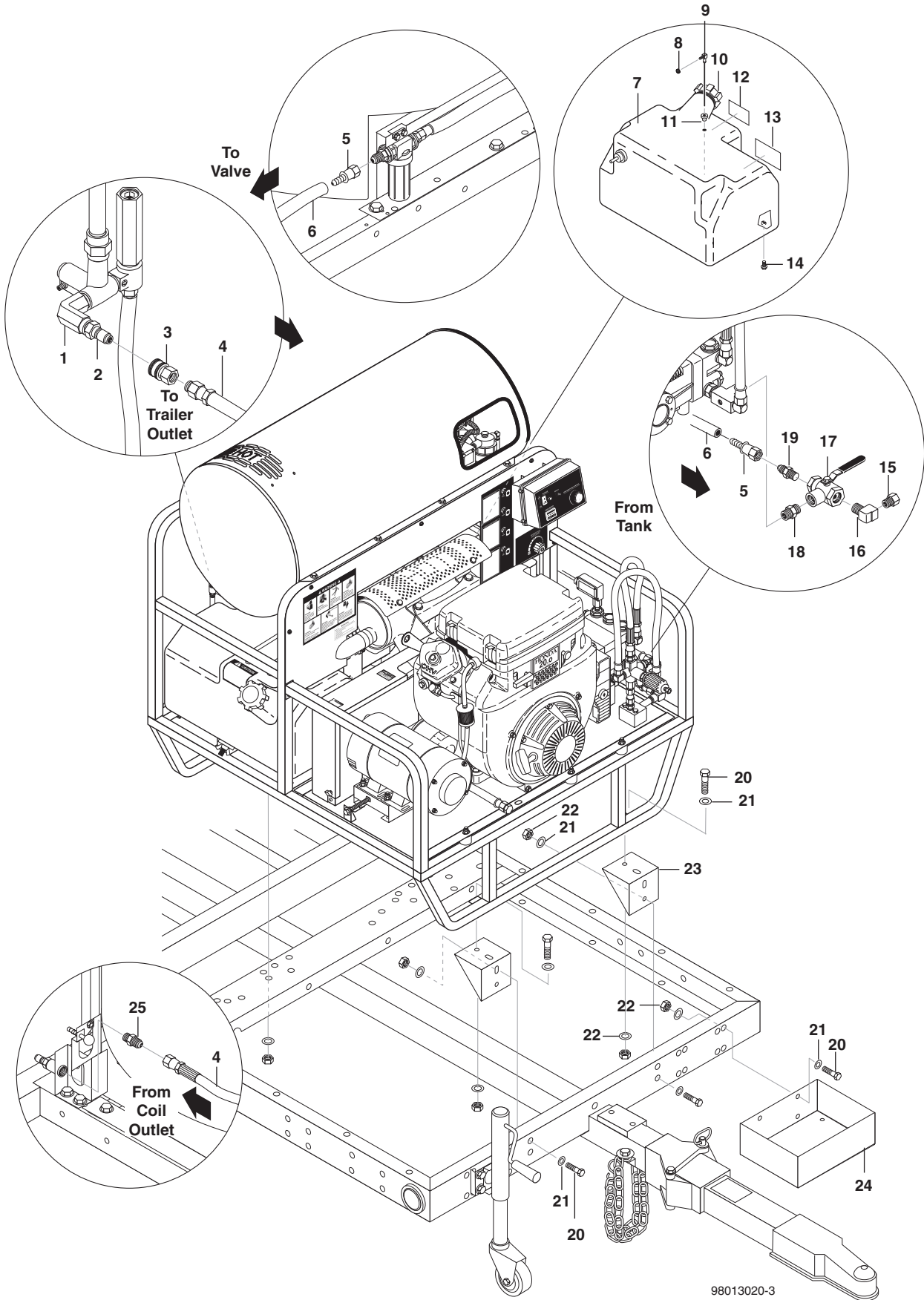
98013020-2

TRS-2500 TRAILER EXPLODED VIEW PARTS LIST

ITEM	PART #	DESCRIPTION	QTY	ITEM	PART #	DESCRIPTION	QTY
1	8.917-302.0	Wlmt, Frame, Trailer, 3000#	1	32	9.802-773.0	Nut, 1/4-20 ESNA NC (Break Away)	5 8
2	8.917-303.0	Wlmt, Tongue, Hinged	1	33	9.802-779.0	Nut 3/8"	42
	8.917-535.0	Wlmt, Tongue, Hinged, Hydraulic Coupler	1	34	9.802-802.0	Washer, 1/4" Flat SAE Zinc (Break Away)	12 14
3	8.917-304.0	Fender, w/Back, 15", Painted	2	35	9.802-807.0	Washer, 3/8" Flat	72
4	8.917-305.0	Wlmt, Hoop, Hose Reel	1	36	9.802-812.0	Washer, 3/8" x 1-1/2", Fender, SAE	14
5	8.725-543.0	Rod, Tie-down, Tank	1	37	8.706-738.0	Plug, 3/4", Hole	2
6	8.917-325.0	Bracket, Skid Mount, Adj.	2	38	8.706-899.0	Nipple, 3/4" JIC x 3/4" Pipe	2
7	8.917-326.0	Channel, Skid Mount, Adj.	1	39	9.802-724.0	Bolt, 3/8" x 1-1/2", NC, HH, SS	2
8	8.917-341.0	Bar, Tank Tie-down	1	40	8.900-522.0	Label, CLP Warning, Do Not Stand or Step	2
9	8.725-525.0	Tank, Water, 200 Gal	1	41	9.802-780.0	Nut, 3/8" Stainless, ESNA, NC	2
	8.704-744.0	▲ Lid, 8" Threaded w/Air Breather	1	42	8.706-731.0	Bushing, 3/4" Snap Heyco	7
10	8.754-184.0	Jack, Swivel w/Caster, 1200 lb	1	43	8.706-369.0	Nipple, 3/4", PVC 80, Close	1
11	8.725-529.0	Wheel/Tire Assy, 15" ST205/75d15 TI	2	44	8.710-036.0	Float Valve 1" Hudson 150d 130 PSI	1
12	8.725-530.0	Lamp, Tail, 3-Way	2	45	8.718-592.0	Screw, 1/4" x 1-1/4" Shdr	1
13	8.725-531.0	Lamp, Side Marker, Red	2	46	8.719-079.0	Knob, Black Plastic, 10-24 Thds	1
14	8.725-532.0	Lamp, Side Marker, Amber	2	47	8.719-112.0	Spring, 0.31OD x 1.0, Steel, Gen Wire J-1450	1
15	8.725-533.0	Lamp, License w/holder	1	48	8.917-463.0	Latch, Wand Holder	1
16	8.707-497.0	Chain, 5/16 Zinc Plated 2 x 45" Long	7.5 ft	49	8.917-319.0	Bracket, Alignment, Tank	2
17	8.725-536.0	Connector, Socket, 4-Flat	1	50	8.706-395.0	Plug, 2", PVC 80	1
	8.707-510.0	Connector, Socket, 7-Prong (Electric Brakes)	1	51	8.706-294.0	Bushing, 1/2" x 3/8", Steel	1
18	8.725-537.0	Plug, 4-Flat	1	52	9.802-171.0	Nipple, 3/8" x 3/8" NPT ST	1
	8.707-511.0	Plug, 7-Prong (Electric Brakes)	1	53	9.803-557.0	Elbow, 3/4 JIC x 3/4	2
19	8.725-538.0	Axle, 3500 lb., 57", Idler	1	54	8.725-541.0	▲ Hydraulic Line Kit (Hydraulic Brakes)	1
	8.725-540.0	Axle, 3500 lb., 57" Electric Brakes	1	55	8.725-707.0	▲ Bolt, 1/2" x 4-1/2" Grade (Hydraulic Brakes)	5 2
	8.725-539.0	Axle, 3500 lb., 57" Hydraulic Brakes	1	56	8.718-829.0	▲ Nut, 1/2" ESNA (Hydraulic Brakes)	2
20	8.706-412.0	Bushing, 1" x 3/4" MT x FT, PVC 80 Speers O	3	57	9.802-809.0	▲ Washer, 1/2" SAE (Hydraulic Brakes)	4
21	9.802-132.0	Elbow, 3/4" JIC x 1/2", 90°	1	58	8.912-403.0	▲ Bracket, Break Away (Break Away)	1
22	8.707-498.0	Hook, "S", 5/16" Zinc Plated	2	59	8.707-480.0	▲ Coupler, 2" Hydraulic Actuator (Hydraulic Brakes)	1
23	8.707-526.0	Strainer, 1" T Line, Trailers	1	60	9.802-261.0	Hose, 3/4 Push-on	51"
24	9.802-798.0	Screw, #10 x 1/2" Tek Hex Head"	2	61	8.706-890.0	Elbow, 1/2" JIC x 3/4"	1
25	8.719-946.0	Hanger, Hose	2	62	8.917-328.0	Plate, Shark SS	1
26	9.802-052.0	Bulkhead, 3/4" Polypro	3	62	8.718-607.0	Bolt, Carriage 1/4-20 x 3/4	2
27	9.802-146.0	Swivel, 1/2" MP x 3/4" GHF w/Strainer	1	63	8.706-397.0	Plug, 3/4	1
28	9.802-152.0	Swivel, 3/4" SAE Fem, Push-on"	4	64	8.726-136.0	Hook, Latching	2
29	9.802-261.0	Hose 3/4", Push-on	24"	65	8.917-340.0	Bracket, Shipping	2
30	9.802-701.0	Bolt, 1/4" x 1" Hex Head Zinc Grade (Break Away)	3 6	66	8.752-041.0	Grommet, Light, 2"	4
31	9.802-722.0	Bolt, 3/8" x 1-1/4", NC HH	34	67	8.900-870.0	Label, Shark Logo	2

▲ Not Shown

TRS-2500 WITH SSG WASHER



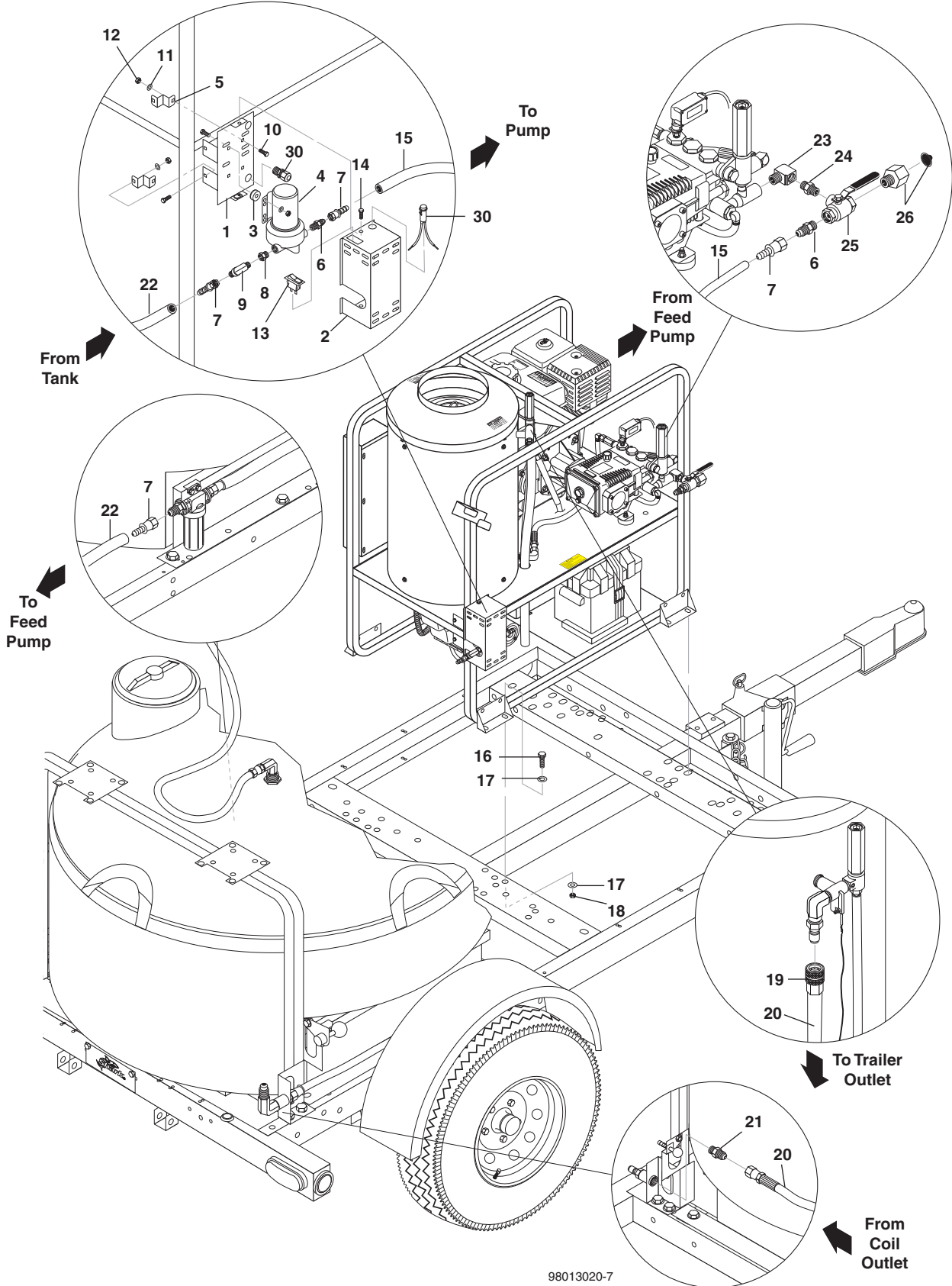
98013020-3

TRS-2500 WITH SSG WASHER PARTS LIST

ITEM	PART #	DESCRIPTION	QTY
1	8.706-207.0	Elbow, 3/8", Street 90°, Steel	1
2	9.802-171.0	Nipple, 3/8" x 3/8" NPT ST Male	1
3	9.802-166.0	Coupler, 3/8" Female, Brass	1
4	8.711-708.0	Hose, 1/2" x 90" 2 Wire, Pressure Loop	1
5	9.802-152.0	Swivel, 3/4" SAE Fem, Push-on	2
6	9.802-261.0	Hose 3/4" 3.417 ft	
7	8.706-615.0	Tank, Fuel 8 Gal (All Models Except 600.0)	1
8	9.802-204.0	Clamp, Hose, CL13 (All Models Except 600.0)	1
9	9.802-056.0	Dip Tube Assy, Plastic, 10.75" Long (All Models Except 600.0)	1
10	9.802-089.0	Cap, Fuel Tank, Plastic H60-AV (All Models Except 600.0)	1 1
11	9.802-053.0	Bushing, Fuel Line, Rubber (All Models Except 600.0)	1
12	9.800-008.0	Label, Danger Cool Engine (All Models Except 600.0)	1
13	9.800-001.0	Label, This Tank For Gas Only (All Models Except 600.0)	1
14	9.802-754.0	Screw, 1/4" x 1/2" NC, Whiz Loc Flange (All Models Except 600.0)	4
15	9.802-146.0	Swivel, 1/2" MP x 3/4" GHF w/Strainer	1
16	8.706-829.0	Elbow, 1/2" Street, Brass	1
17	8.707-212.0	Valve, 1/2" Brass, 3-Way Ball	1
18	8.706-797.0	Nipple, 1/2" Hex	1
19	8.706-902.0	Nipple, 3/4" JIC x 1/2" Pipe	1
20	9.802-722.0	Bolt, 3/8" x 1-1/4", NC HH	12
21	9.802-807.0	Washer, 3/8" Flat	24
22	9.802-779.0	Nut 3/8"	12
23	8.916-565.0	Bracket, Mounting	2
24	8.917-495.0	Bracket, Battery Mount	1
25	9.802-038.0	Nipple, 1/2" JIC x 1/2" Steel	1
26	9.802-204.0	▲ Clamp, Hose, CL13	1
27	9.802-799.0	▲ Screw, #14 x 1", Tek, Blk., Zinc	1

▲ Not Shown

TRS-2500 WITH SGP WASHER



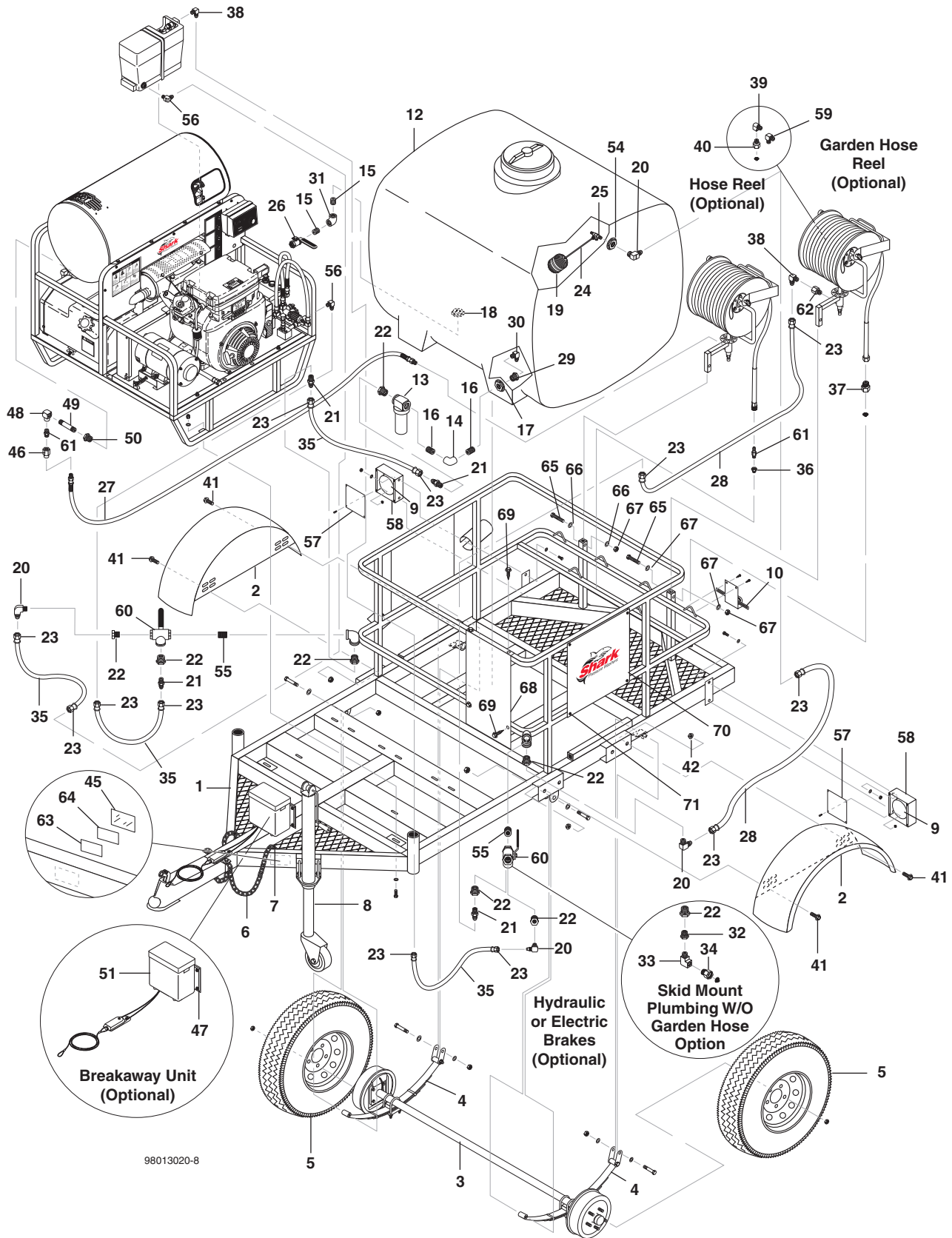
98013020-7

TRS-2500 WITH SGP WASHER PARTS LIST

ITEM	PART NO.	DESCRIPTION	QTY
1	8.917-561.0	Wlmt, Mount, Feed Pump	1
2	8.917-564.0	Cover, Mount, Feed Pump	1
3	8.706-510.0	Bumper, Rubber, 3/4" w/Washer	4
4	8.725-945.0	Pump, 4.0 GPM, 12V, 10A	1
5	8.915-292.0	Reel, Hose, Bracket, Mount Retainer	2
6	8.706-902.0	Nipple, 3/4"JIC x 1/2" Pipe	1
7	9.802-152.0	Swivel, 3/4" SAE FEM, Push-on	4
8	8.706-984.0	Adapter, 1/2" FPT x 1/2" MPT, Brass	1
9	9.802-132.0	Elbow, 3/4" JIC x 1/2" MPT, 90°	1
10	8.718-626.0	Bolt, 5/16"-18 x 1-1/4", NC Carriage Z	8
11	8.718-980.0	Washer, 5/16", Flat, SAE (780452)	8
12	9.802-776.0	Nut, 5/16", ESNA, NC	8
13	9.802-453.0	Switch, Curvette RA901VB-B-1-V.Carling	1
14	9.803-551.0	Screw, 5/16" x 3/4" Whiz Loc Flange	2
15	9.802-261.0	Hose, 3/4" Push-on, /ft	2
16	9.802-722.0	Bolt, 3/8" x 1-1/4", NC HH	8
17	9.802-807.0	Washer, 3/8", SAE, Flat Zinc	16
18	9.802-779.0	Nut, 3/8", ENSA, NC	8
19	9.802-166.0	Coupler, 3/8" Female, Brass	1
20	8.711-708.0	Hose, 1/2" X 90" 2 Wire, Pressure Loop	1
21	9.802-038.0	Nipple, 1/2" JIC x 1/2" MPT, Steel	1
22	9.802-261.0	Hose, 3/4" Push-on, /ft	3
23	8.706-826.0	Elbow, 1/2" Street	1
24	8.706-797.0	Nipple, 1/2 Hex	1
25	8.707-212.0	Valve, 1/2" Brass, 3-way	1
26	9.802-146.0	Swivel, 1/2" MP x 3/4" GHF w/Strainer	1
27	9.802-204.0	▲ Clamp, Wire/Tube, 0.750D	1
28	9.802-799.0	▲ Screw, #14 x 1", Tek, Blk., Zinc	1
29	9.802-514.0	Strain Relief, Small	1
30	9.802-456.0	Light, Indicator, Green, 12V	1

▲ Not Shown

EXPLODED VIEW — TRS-3500

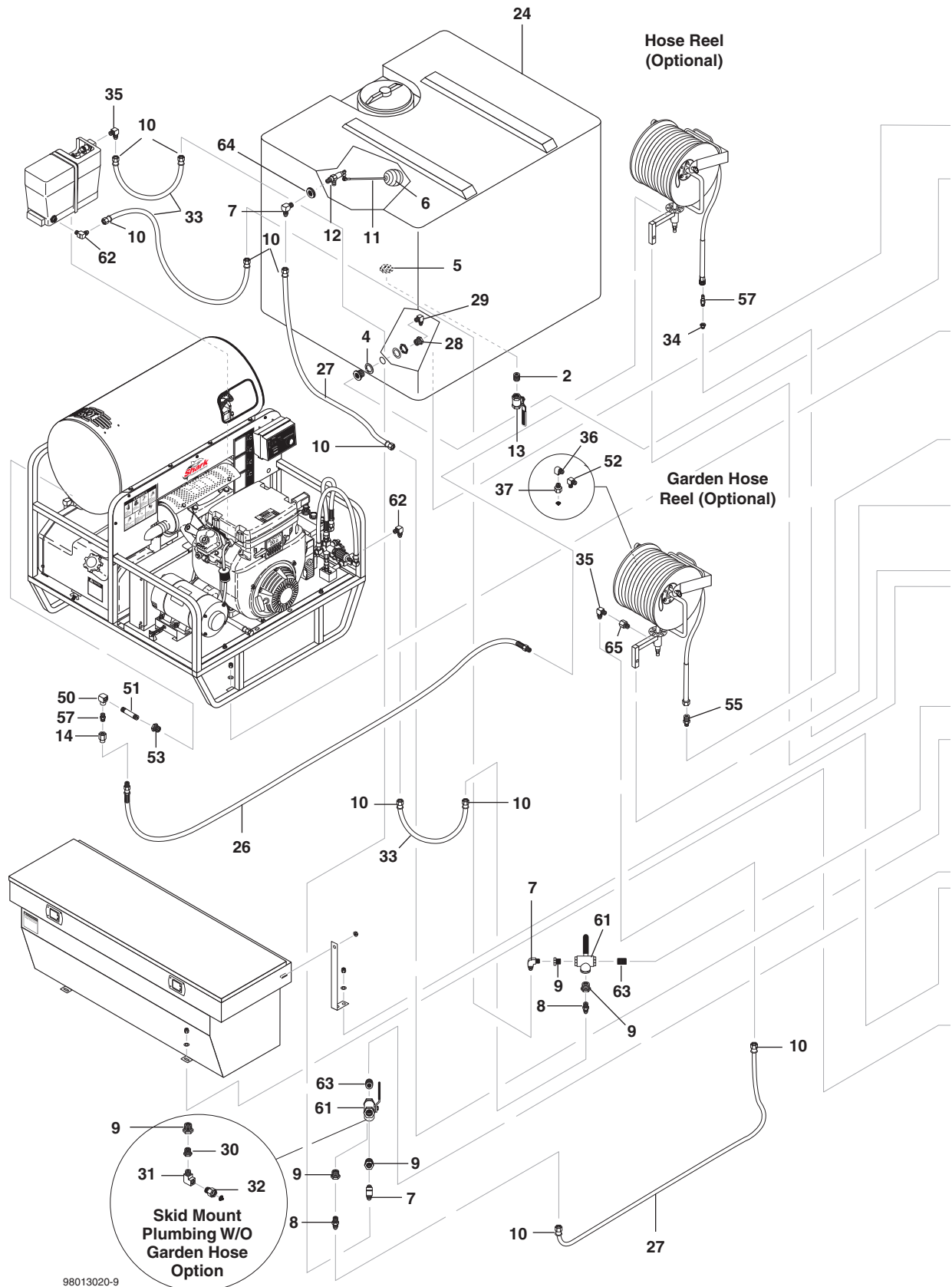


98013020-8

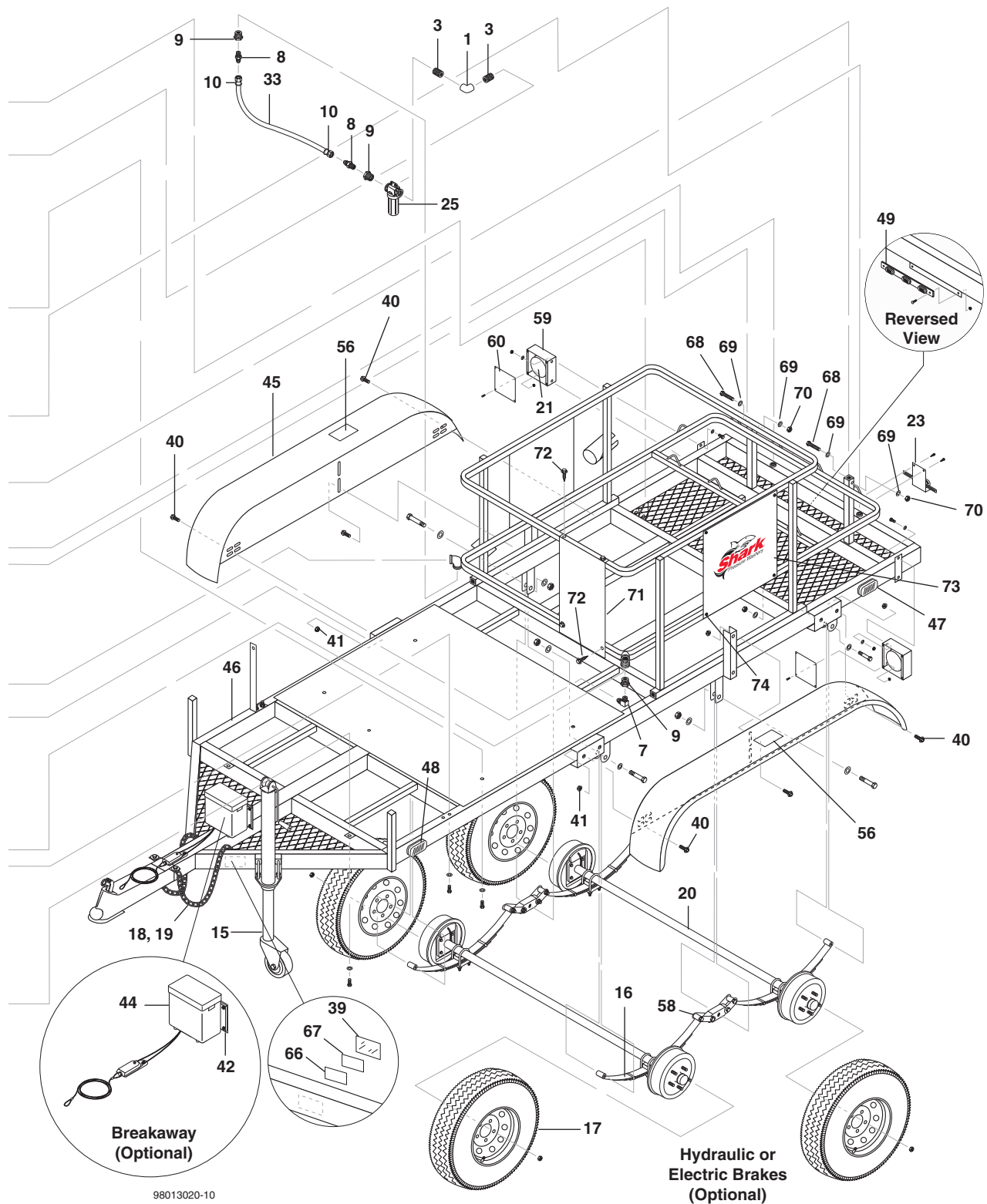
EXPLODED VIEW PARTS LIST — TRS-3500

ITEM	PART NO.	DESCRIPTION	QTY	ITEM	PART NO.	DESCRIPTION	QTY
1	8.912-404.0	Frame, Assy (3500)	1	35	8.711-788.0	Hose, 3/4" Push-On	15.33 ft.
2	8.912-405.0	Fender, Single, Assy	2	36	8.706-917.0	Bushing, 1/2" x 3/8" Brass	1
3	8.707-500.0	Axle, 3500 lb. 64" Track	1	37	8.706-968.0	Fitting, 3/4", GHF, x 1/2"	1
	8.707-501.0	Axle, 3500 lbs, 64 Track, Elec. Brakes	1	38	9.802-132.0	Elbow, 3/4" JIC x 1/2"	2
	8.707-502.0	Axle, 3500 lbs, 64 Track, Hyd. Brakes	1	39	9.802-041.0	Elbow, 3/8" Street, 45°	1
4	8.753-334.0	Springs, Leaf, 3500 lb./Pr	1	40	9.802-147.0	Swivel, 3/8" MP x 3/4" GHF	1
5	8.725-529.0	Wheel/Tire Assy, 15" Wheel	2	41	9.802-767.0	Screw, 3/8" x 3/4" Whiz Loc	12
6	8.707-497.0	Chain, 5/16 Zinc Plated	6 ft.	42	9.802-781.0	Nut, 3/8", NC, Whiz Loc	12
	9.802-724.0	▲ Bolt, 3/8" x 1-1/2", NC, HH, SS	2	43	9.802-206.0	▲ Clamp, Hose	1
	8.718-988.0	▲ Washer, 7/16" Flat, SAE	2	44	9.802-794.0	▲ Nut, Cage, 1/4" x 12 GA	8
	9.802-811.0	▲ Washer, 3/8" x 1-1/2", Fender	4	45	9.807-349.0	Label, Clear lexan	1
	8.719-024.0	▲ Washer, 3/8", SS, Lock	2	46	9.802-166.0	Coupler, 3/8" Female, Brass	1
	8.719-089.0	▲ Nut, 3/8" HEX, NC, SS	2	47	8.912-403.0	Bracket, Breakaway	1
7	8.707-498.0	▲ Hook "S" 5/16 Zinc	2	48	8.706-167.0	Elbow, 3/8" FNPT	1
8	8.707-485.0	Jack, Swivel/W/Caster 1500 lb.	1	49	8.730-379.0	Nipple, 3/8" x 3" Pipe	1
9	8.707-512.0	Lamp, Stop/Tail/Turn, Red	2	50	8.706-294.0	Bushing, 1/2" x 3/8" Steel	1
10	8.707-513.0	Lamp, License W/Holder	1	51	8.707-506.0	Break Away Kit, W/Battery	1
11	8.707-510.0	▲ Connector, 7 Prong	1	52	9.802-064.0	▲ Grommet, Rubber, Nozzle	6
12	8.707-524.0	Tank, 200 Gal, HDPE Const	1	53	8.900-522.0	▲ Label, Warning, Do Not Stand or Step	2
13	8.707-526.0	Strainer, D1" T Line	1	54	9.802-052.0	Bulkhead, 3/4" Poly Pro	1
14	8.706-376.0	Elbow, 1" PVC 80	1	55	8.706-117.0	Nipple, 1" Pipe, Close	2
15	8.706-424.0	Nipple, 1.5" Close PVC 80	2	56	9.802-132.0	Elbow, 3/4" JIC x 1/2" 90°	2
16	8.706-439.0	Nipple, 1" Close PVC 80	2	57	8.912-399.0	Cover, Light Bracket	2
17	8.706-484.0	Bulkhead, 1" Poly Pro	1	58	8.912-398.0	Bracket, Light Tail	2
18	8.706-490.0	Bulkhead, 1-1/2" Poly Pro	1	59	8.706-207.0	Elbow, 3/8" Street	1
19	8.706-512.0	Float, Ball, Black Plastic	1	60	8.707-230.0	Valve, 3 Way Brass 1"	2
20	9.803-557.0	Elbow, 3/4" x 3/4" 90°	4	61	9.802-171.0	Nipple, 3/8" x 3/8" Male	2
21	8.706-899.0	Nipple, 3/4 JIC x 3/4" Pipe	4	62	8.706-992.0	Adapter, 1/2" x 3/8"	1
22	8.706-929.0	Bushing 1" x 3/4"	7	63	8.749-879.0	Adhesive, 10" Roll, 2.5" x 7"	1
23	9.802-152.0	Swivel, 3/4" SAE Fem Push-On (Garden Hose Reel Option)	10 12	64		Vin Plate	1
24	8.707-025.0	Stem, Float 10"	1	65	9.802-730.0	Bolt, 3/8" x 2-1/2" GR5 Zinc	2
25	8.749-329.0	Valve, 3/4" Plastic Float	1	66	9.802-807.0	Washer, 3/8", SAE, Flat Zinc	4
26	8.707-342.0	Valve, 1-1/2" Ball, Poly	1	67	9.802-779.0	Nut, 3/8", ESNA, NC	2
27	8.918-206.0	Hose, 3/8 x 125", 2 Wire Swivel x Swivel	1	68	8.916-826.0	Guard, Exhaust, Trailer (Super Skid Models Only)	1
28	9.802-261.0	Hose, 3/4", Push-On	12.5 ft.	69	9.802-799.0	Screw, # 14 x 1" TEK (Super Skid Models Only)	4
29	8.706-928.0	Bushing, 1" x 1/2", Poly	1	70	8.912-401.0	Signage Plate (Option)	2
30	9.802-131.0	Elbow, 1/2" JIC x 1/2"	1	71	9.802-799.0	Screw, # 14 x 1" TEK BLK, ZINC	8
31	8.706-375.0	Elbow, 1-1/2" FT x FT	1			▲ Not Shown	
32	8.706-925.0	Bushing, 3/4" x 1/2" Pipe	1				
33	8.706-829.0	Elbow, 1/2" Street Brass	1				
34	9.802-146.0	Swivel, 1/2" MP x 3/4" W/S	1				

EXPLODED VIEW LEFT SIDE — TRS-6000



EXPLODED VIEW RIGHT SIDE — TRS-6000

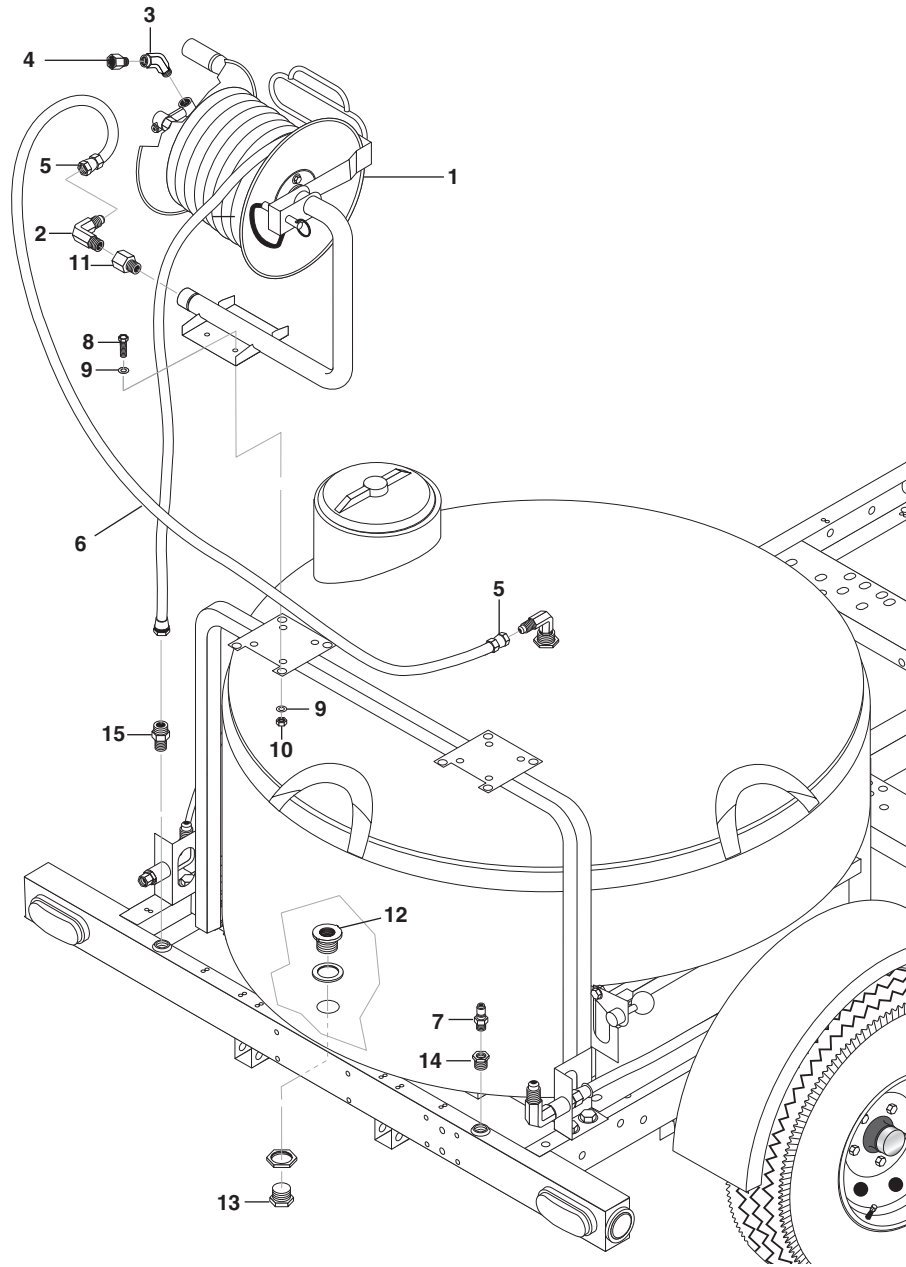


98013020-10

EXPLODED VIEW PARTS LIST — TRS-6000

ITEM	PART NO.	DESCRIPTION	QTY	ITEM	PART NO.	DESCRIPTION	QTY
1	8.706-376.0	Elbow, 1" FIPT x FIPT, PVC 80	1	34	8.706-917.0	Bushing, 1/2" x 3/8" Brass	1
2	8.706-424.0	Nipple, 1.5 x Close, PVC 80	1	35	9.802-132.0	Elbow, 3/4" JIC x 1/2" MPT	2
3	8.706-439.0	Nipple, 1", PVC 80, Close	2	36	9.802-041.0	Elbow, 3/8" Street 45°	1
4	8.706-484.0	Bulkhead, 1", Polypro	1	37	9.802-147.0	Swivel, 3/8" MP x 3/4" GHF	1
5	8.706-490.0	Bulkhead, 1-1/2" Polypro	1	38	9.802-206.0	▲ Clamp, Hose	1
6	8.706-512.0	Ball, Float, Black Plastic	1	39	9.807-349.0	Label, Clear Lexan	1
7	9.803-557.0	Elbow, 3/4" SAE x 3/4", 90°	4	40	9.802-767.0	Screw, 3/8" x 3/4" Whiz Loc	12
8	8.706-899.0	Nipple, 3/4" JIC x 3/4" Pipe	4	41	9.802-781.0	Nut, 3/8", Whiz Loc, NC	12
9	8.706-929.0	Bushing, 1" x 3/4"	7	42	8.912-403.0	Bracket, Breakaway	1
10	9.802-152.0	Swivel, 3/4" SAE Fem, Push-On	12	43	9.802-794.0	▲ Nut, Cage, 1/4" x 12 GA	8
11	8.707-025.0	Stem, 10" Float	1	44	8.707-506.0	Breakaway Kit W/Battery	1
12	8.749-329.0	Valve, 3/4" Plastic Float	1	45	8.912-396.0	Assy, Tandem Fender	2
13	8.707-342.0	Valve, 1.5" Ball, FPT x FPT, Poly	1	46	8.912-395.0	Assy, Tandem Axle Frame,	1
14	9.802-166.0	Coupler, 3/8" Female, Brass	1	47	8.707-507.0	Lamp, Side Marker, Red	2
15	8.707-485.0	Jack, Swivel w/Caster, 1500 Lbs.	1	48	8.707-508.0	Lamp, Side Marker, Amber	2
16	8.753-334.0	Springs, Leaf, 3500 Lb./Pr	2	49	8.707-509.0	Lamp, Identification Bar	1
17	8.725-529.0	Wheel/Tire Assy, 15" Wheel, ST205/75D15 Tire	4	50	8.706-167.0	Elbow, 3/8" FNPT	1
18	8.707-497.0	Chain, 5/16 Zinc Plated	6 ft.	51	8.730-379.0	Nipple, 3/8" x 3.0 Pipe	1
	9.802-724.0	▲ Bolt, 3/8" x 1-1/2", NC, SS	2	52	8.706-207.0	Elbow, 3/8" Street	1
	8.718-988.0	▲ Washer, 7/16" Flat, SAE	2	53	8.706-294.0	Bushing, 1/2" x 3/8" Street	1
	9.802-811.0	▲ Washer, 3/8" x 1-1/2", Fender	4	54	9.802-064.0	▲ Grommet, Rubber, Nozzle	7
	8.719-024.0	▲ Washer, 3/8", SS, Lock	2	55	8.706-968.0	Fitting, 3/4" GHF x 1/2"	1
	8.719-089.0	▲ Nut, 3/8" HEX, NC, SS	2	56	8.900-522.0	Label, Do Not Stand or Step	2
19	8.707-498.0	Hook, "S", 5/16" Zinc Plated	2	57	9.802-171.0	Nipple, 3/8" x 3/8" MPT	2
20	8.707-503.0	Axle, 3500 Lb. , 72" Track, Idler	2	58	8.753-333.0	Hanger Kit, Tandem Axle	1
	8.707-504.0	Axle, 3500 lbs, 73" Track, Elec. Brakes	2	59	8.912-398.0	Bracket Tail Light	2
	8.707-505.0	Axle, 3500 lbs, 73" Track, Hyd. Brakes	2	60	8.912-399.0	Cover, Light Bracket	2
21	8.707-512.0	Lamp, Stop/Tail/Turn, Red	2	61	8.707-230.0	Valve, 1" Brass	2
22	8.707-511.0	▲ Plug, 7-Prong	1	62	9.802-132.0	Elbow, 3/4" JIC x 1/2", 90°	2
23	8.707-513.0	Lamp, License W/Holder	1	63	8.706-117.0	Nipple, 1" Close, Black	2
24	8.707-525.0	Tank, 330 Gal. HDPE Constr.	1	64	9.802-052.0	Bulkhead, 3/4" Polypro	1
25	8.707-526.0	Strainer, 1" T-Line, Trailers	1	65	8.706-992.0	Adapter, 1/2" x 3/8"	1
26	8.918-206.0	Hose, 3/8" x 125", 2 Wire, Swivel x Swivel	1	66	8.749-879.0	Adhesive, 10" Roll, 2.5" x 7"	1
27	9.802-261.0	Hose, 3/4" Push-On	12.5 ft.	67		Vin Plate	1
28	8.706-928.0	Bushing, 1" x 1/2" Black Poly	1	68	9.802-730.0	Bolt, 3/8" x 2-1/2" GR5 Zinc	2
29	9.802-131.0	Elbow, 1/2" JIC x 1/2" 90°	1	69	9.802-807.0	Washer, 3/8", SAE, Flat Zinc	4
30	8.706-925.0	Bushing, 3/4" x 1/2" Pipe	1	70	9.802-779.0	Nut, 3/8", ESNA, NC	2
31	8.706-829.0	Elbow, 1/2" Street, Brass	1	71	8.916-826.0	Guard, Exhaust, Trailer (Super Skid Models Only)	1
32	9.802-146.0	Swivel, 1/2"MP x 3/4" GHF	1	72	9.802-799.0	Screw, #14 x 1" TEK (Super Skid Models Only)	4
33	8.711-788.0	Hose, 3/4" Push-On	15.33 ft.	73	8.912-401.0	Signage Plate (Option)	2
				74	9.802-799.0	Screw, Screw, 314 x 1" TEK BLK, ZINC	8
						▲ Not Shown	

OPTIONAL HOSE REEL LOW PRESSURE 8.917-555.0



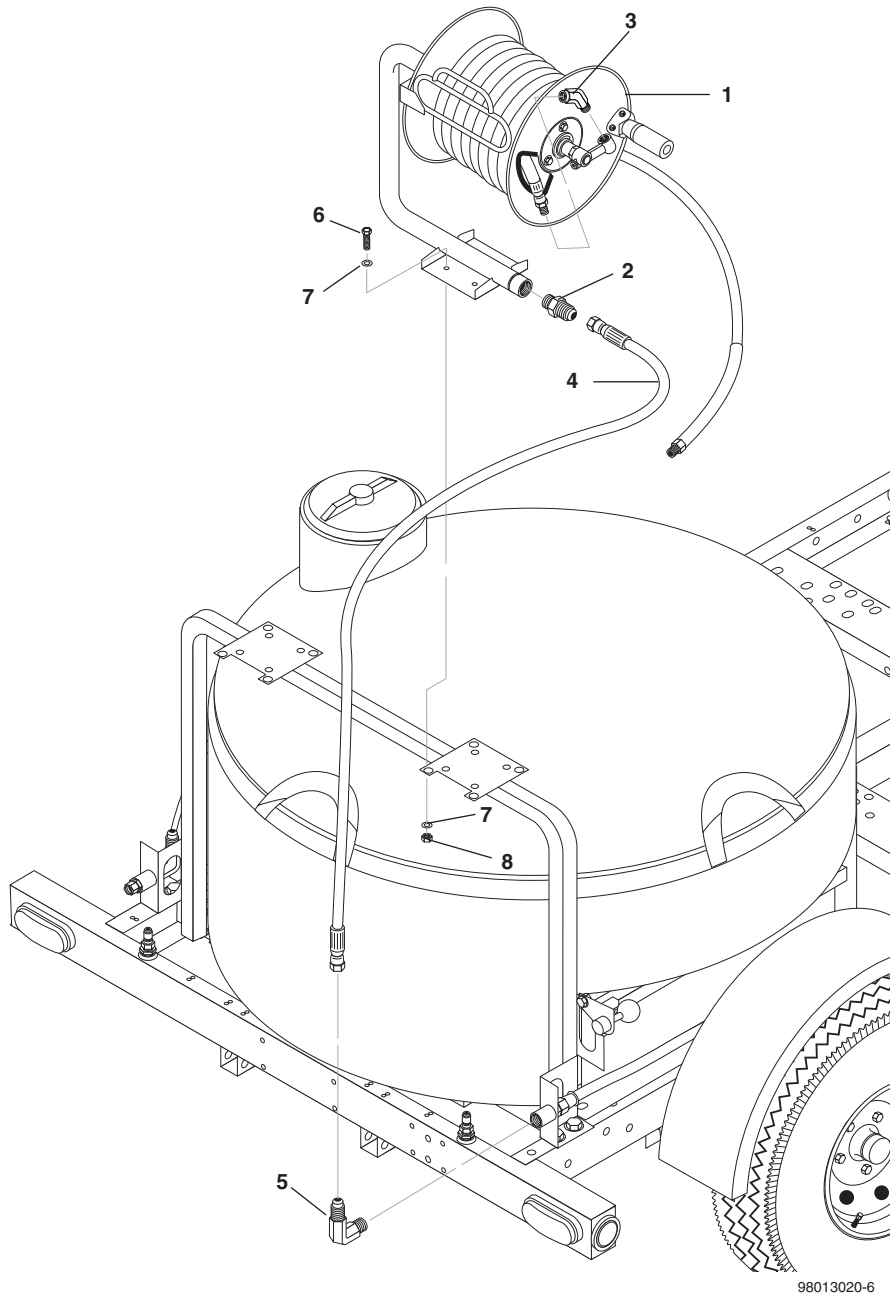
98013020-5

OPTIONAL HOSE REEL LOW PRESSURE PARTS LIST

ITEM	PART #	DESCRIPTION	QTY	ITEM	PART #	DESCRIPTION	QTY
1	9.122-002.0	Hose Reel, 100 ft., Fixed Base	1	9	9.802-807.0	Washer, 3/8" SAE, Flat Zinc	8
2	9.802-132.0	Elbow, 3/4" JIC x 1/2", 90°	1	10	9.802-779.0	Nut, 3/8", ESNA	4
3	8.706-834.0	Elbow, 3/8" Street, 45°	1	11	8.706-984.0	Adapter, 1/2" FPT x 1/2" MPT, Brass	1
4	9.802-147.0	Swivel, 3/8" MP x 3/4" GHF W/Strainer	1	12	9.802-052.0	Bulkhead, 3/4" Polypro	1
5	9.802-152.0	Swivel, 3/4" FEM, Push-on	2	13	8.706-397.0	Plug, 3/4" MT, SCH 80 PVC	1
6	9.802-261.0	Hose, 3/4" Push-on, /FT	30"	14	8.706-294.0	Bushing, 1/2" x 3/8" Steel	1
7	9.802-171.0	Coupler, 3/8" Plug, Male	1	15	8.706-968.0	Nipple, 1/2" MPT x 3/4" GHM1	1
8	9.802-722.0	Bolt, 3/8" x 1-1/4"	4				

NOTE: Garden hose not included

OPTIONAL HOSE REEL HIGH PRESSURE 8.917-554.0



OPTIONAL HOSE REEL HIGH PRESSURE PARTS LIST

ITEM	PART #	DESCRIPTION	QTY	ITEM	PART #	DESCRIPTION	QTY
1	9.122-002.0	Hose Reel, Bolt on 100 ft., Fixed Base	1	6	9.802-722.0	Bolt, 3/8" x 1-1/4"	4
2	9.802-036.0	Nipple, 1/2" JIC x 3/8" Pipe, Steel	1	7	9.802-807.0	Washer, 3/8" SAE, Flat Zinc	8
3	9.802-041.0	Elbow, 3/8" Steel, Street, 45°	1	8	9.802-779.0	Nut, 3/8", ESNA	4
4	9.802-243.0	Hose, 3/8" x 32", 2 Wire	1				
5	9.802-040.0	Elbow, 1/2" , JIC , 1/2, 90°	1				