

OPERATION AND PARTS MANUAL



WHITEMAN **BA-SERIES** **WALK-BEHIND TROWEL**

Revision #6 (07/06/10)

To find the latest revision of this
publication, visit our website at:
www.multiquip.com

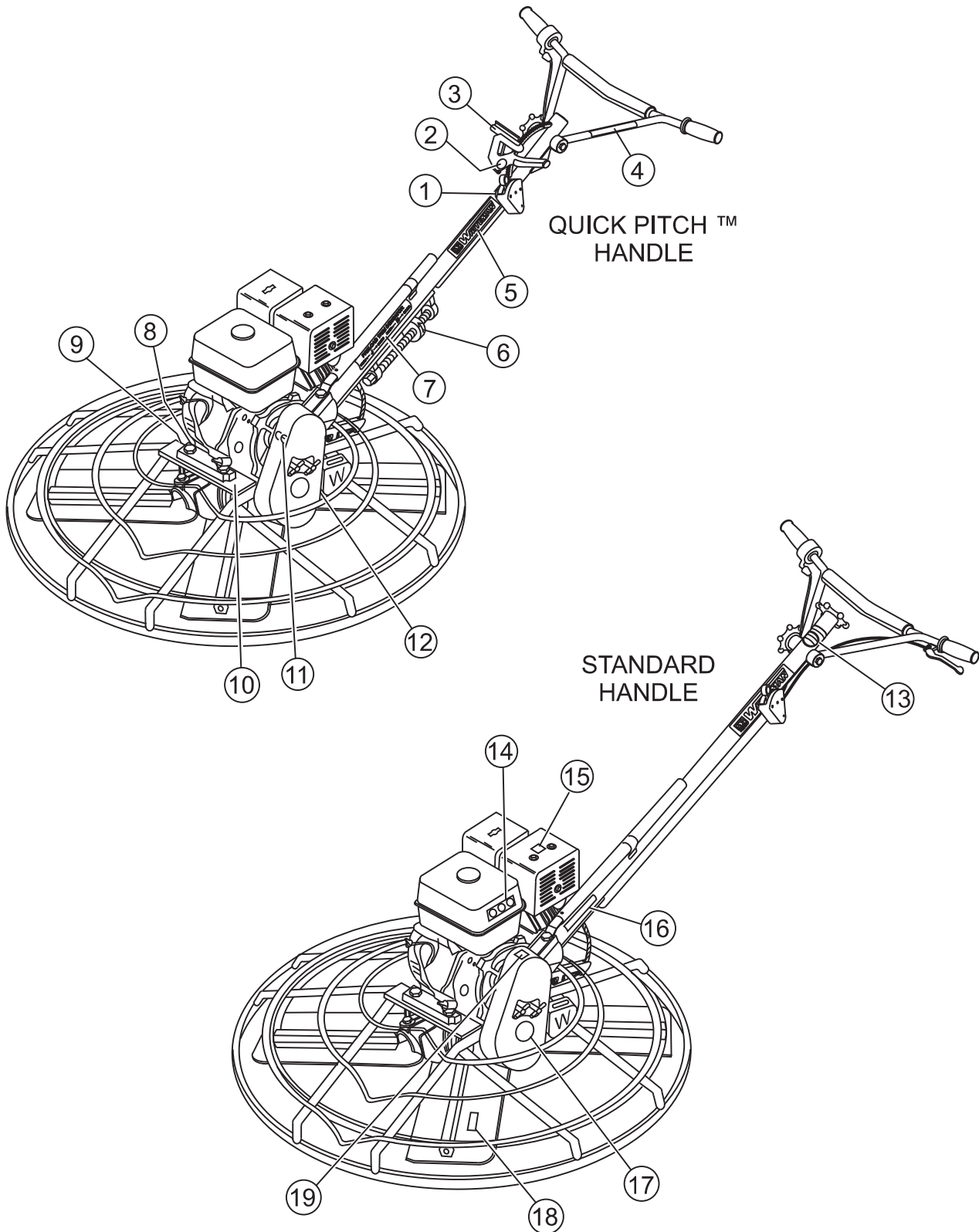


THIS MANUAL MUST ACCOMPANY THE EQUIPMENT AT ALL TIMES.

P/N 20905

BA-SERIES TROWEL — NAMEPLATE AND DECALS

NAMEPLATES AND DECALS



BA-SERIES TROWEL — NAMEPLATE AND DECALS

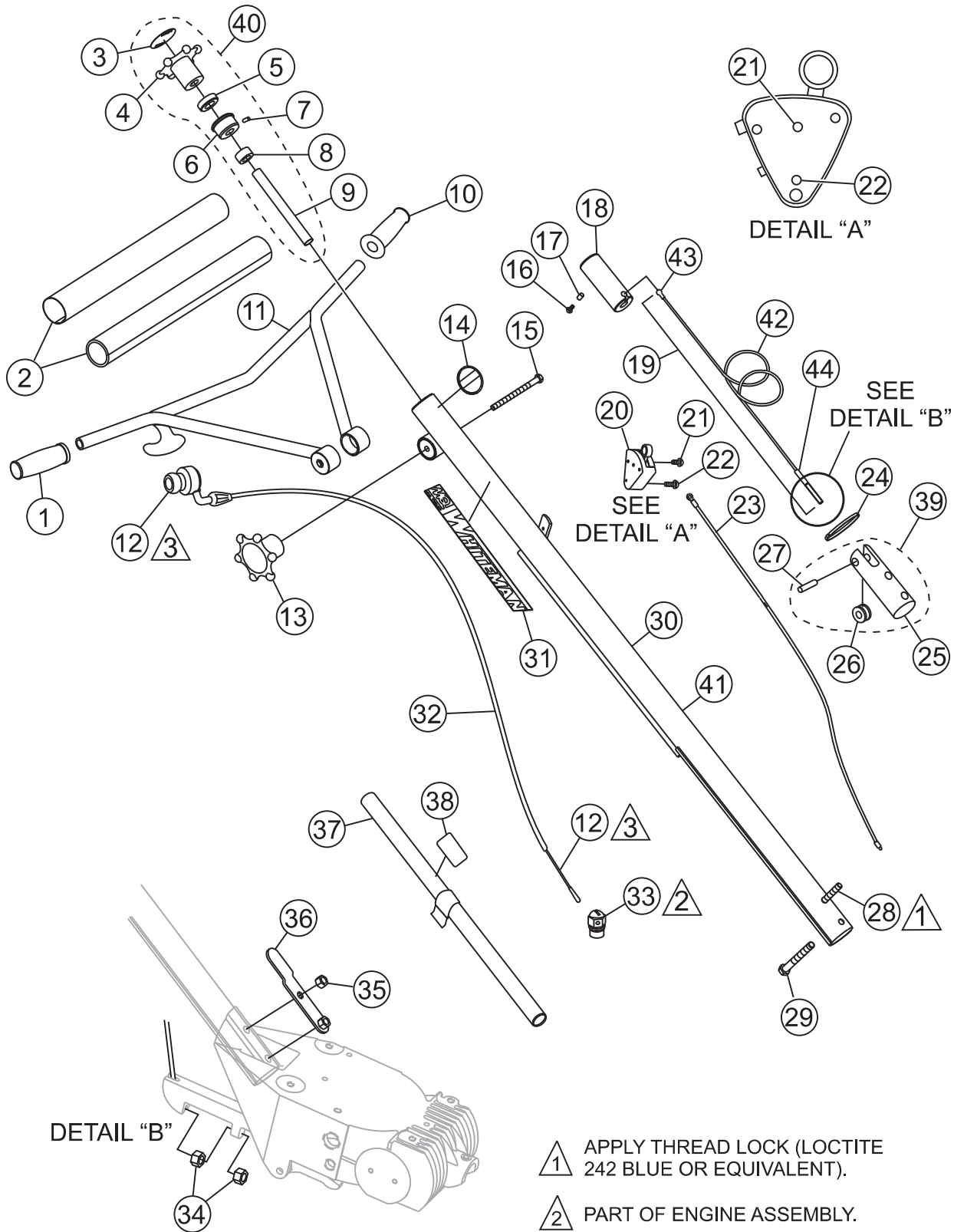
NAMEPLATE AND DECALS

<u>NO.</u>	<u>PART NO.</u>	<u>PART NAME</u>	<u>QTY.</u>	<u>REMARKS</u>
1	1758	DECAL: QUICK-PITCH™ HANDLE	1	
2	12405	DECAL: QUICK-PITCH™ HANDLE INSERT	2	
3	20527	DECAL: QUICK-PITCH™ WARNING	1	
4	20526	DECAL: QUICK-PITCH™ LATCH WARNING	1	
5	2942	DECAL: MQ WHITEMAN 13"	1	
6	1736	DECAL: ARROWS	1	
7	1735	DECAL: PRE-LOAD INDICATOR	1	
8*	11246	DECAL: OIL CHECK	1	
9		NAMEPLATE	1 CONTACT MULTIQUIP PARTS DEPT.
10	1940	DECAL: MQ WHITEMAN (SMALL)	1	
11	11092	DECAL: CE	1	
12*	11246	DECAL: GEAR DRIVE	1	
13	1492	DECAL: STANDARD HANDLE (FINISHER)	1	
14*	11247	DECAL: HELMET, FOOT AND GLOVE	1	
15*	11246	DECAL: HOT	1	
16	1261	DECAL: DO NOT LIFT	1	
17	1848	DECAL: POWER TROWEL	1	
18	2938	DECAL: METRIC	1	
19*	11246	DECAL: BELT DRIVE	1	
	12620	DECAL, KIT	1 INCLUDES ITEMS W/*

SEE DECAL ILLUSTRATIONS ON PAGE 12

BA-SERIES TROWEL — STANDARD HANDLE ASSY.

STANDARD HANDLE ASSY.



▲ 1 APPLY THREAD LOCK (LOCTITE 242 BLUE OR EQUIVALENT).

▲ 2 PART OF ENGINE ASSEMBLY.

▲ 3 CABLE IS ATTACHED TO THROTTLE AND SEALED AT THE FACTORY. ORDERABLE AS A UNIT ONLY.

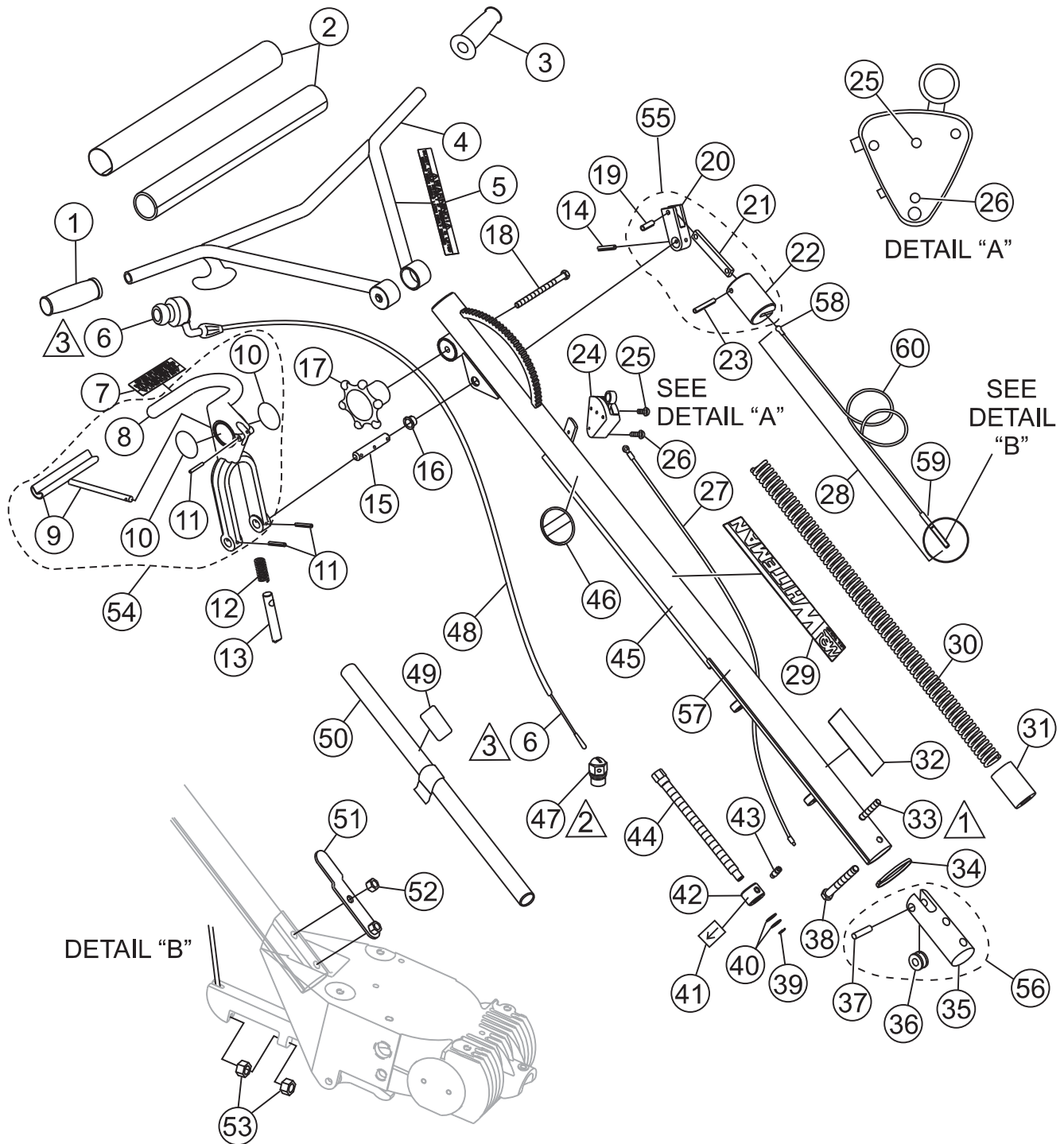
BA-SERIES TROWEL — STANDARD HANDLE ASSY.

STANDARD HANDLE ASSY.

<u>NO.</u>	<u>PART NO.</u>	<u>PART NAME</u>	<u>QTY.</u>	<u>REMARKS</u>
1	20463	GRIP, HANDLE RIGHT	1	
2	20774	COVER, PAD HANDLE	1	
3*	20818	DECAL, STD PITCH	1	
4*	20817	WHEEL, HAND J-B HANDLE	1	
5*	0281	BEARING, THRUST, NICE 607	1	
6*	20282	BEARING, TROWEL CONTROL	1	
7*	0122C	SCREW, SHS 3/8-16 X 1/2	1	
8*	3615	COLLAR, SET 3/4 ID	1	
9*	1478	SHAFT, TROWEL CONTROL	1	
10	20478	GRIP, HANDLE LEFT	1	
11	12556	HANDLE, ADJUSTABLE	1	
12	20435	THROTTLE LEVER W/CABLE	1	
13	20439	WHEEL ASSY., HAND	1	
14	1492	DECAL, CUSTOM 2 1/2 CHROME	1	
15	20438	SCREW, HHC 3/8-16 X 5.00	1	
16	0786	SCREW, BHC 1/4- 20 X 3/8 NYL PATCH, NP	1	
17	0786A	SPACER, .360 X 17/64 X 1/8L	1	
18	20287	SLIDE BLOCK TROWEL CONTROL	1	
19	20285	CABLE ASSY., LENGTH 48.29" STD FINISHER	1	
20	20856	SWITCH ASSY., KILL	1	INCLUDES ITEMS W/\$
21\$	1602	SCREW, RHM 10-24 X 3/8	1	
22\$	20988	SCREW, FHSC PHILLIPS 8-32 X 1 1/4	1	
23	20514	WIRE ASSY., KILL SWITCH	1	
24	1662	TIE, CABLE TY-RAP, BLACK	1	
25#	20275	BLOCK, SUPPORT	1	
26#	1118	PULLEY, SUPPORT BLOCK	1	
27#	20279	PIN, SUPPORT BLOCK 3/8 X 1.59	1	
28	21017	SCREW, HHC 3/8-16 X 3 1/2 FULL THREAD	1	
29	1493	SCREW, HHC 3/8-16 X 3 1/4	1	
30	12567	HANDLE, STD	1	
31	2942	DECAL, MQ WHITEMAN, 13"	1	
32	20434	HOUSING, CABLE 74"	1	
33	20845	SWIVEL, THROTTLE CABLE	1	
34	1116	NUT, BRASS JAM 5/16-18	2	
35	10133	NUT, NYLOC 3/8-16	1	
36	20392	BRACKET, LIFT TUBE	1	
37		HANDLE, LIFT ASSY.	1	NO LONGER AVAILABLE
38		DECAL, CAUTION, LIFT HANDLE	1	NO LONGER AVAILABLE
39	20280	BLOCK, CABLE ASSY.	1	NCLUDES ITEMS W/#
40	20819	HAND WHEEL ASSY., PITCH CONTROL.	1	INCLUDES ITEMS W/*
41		HANDLE ASSY., STD FINISHERS	1	CONTACT SALES DEPT.
42■	20301	CABLE, CNTL 5/32 GALV AIRCRAFT 46.03"	1	
43■	20421	CLEVIS, BALL END CONTROL CABLE	1	
44■	A8638	END-BOLT, CNTL CABLE	1	

BA-SERIES TROWEL — QUICK-PITCH™ HANDLE ASSY.

QUICK-PITCH™ T-HANDLE



1 APPLY THREAD LOCK (LOCTITE 242 BLUE OR EQUIVALENT).

2 PART OF ENGINE ASSEMBLY.

3 CABLE IS ATTACHED TO THROTTLE AND SEALED AT THE FACTORY. ORDERABLE AS A UNIT ONLY.

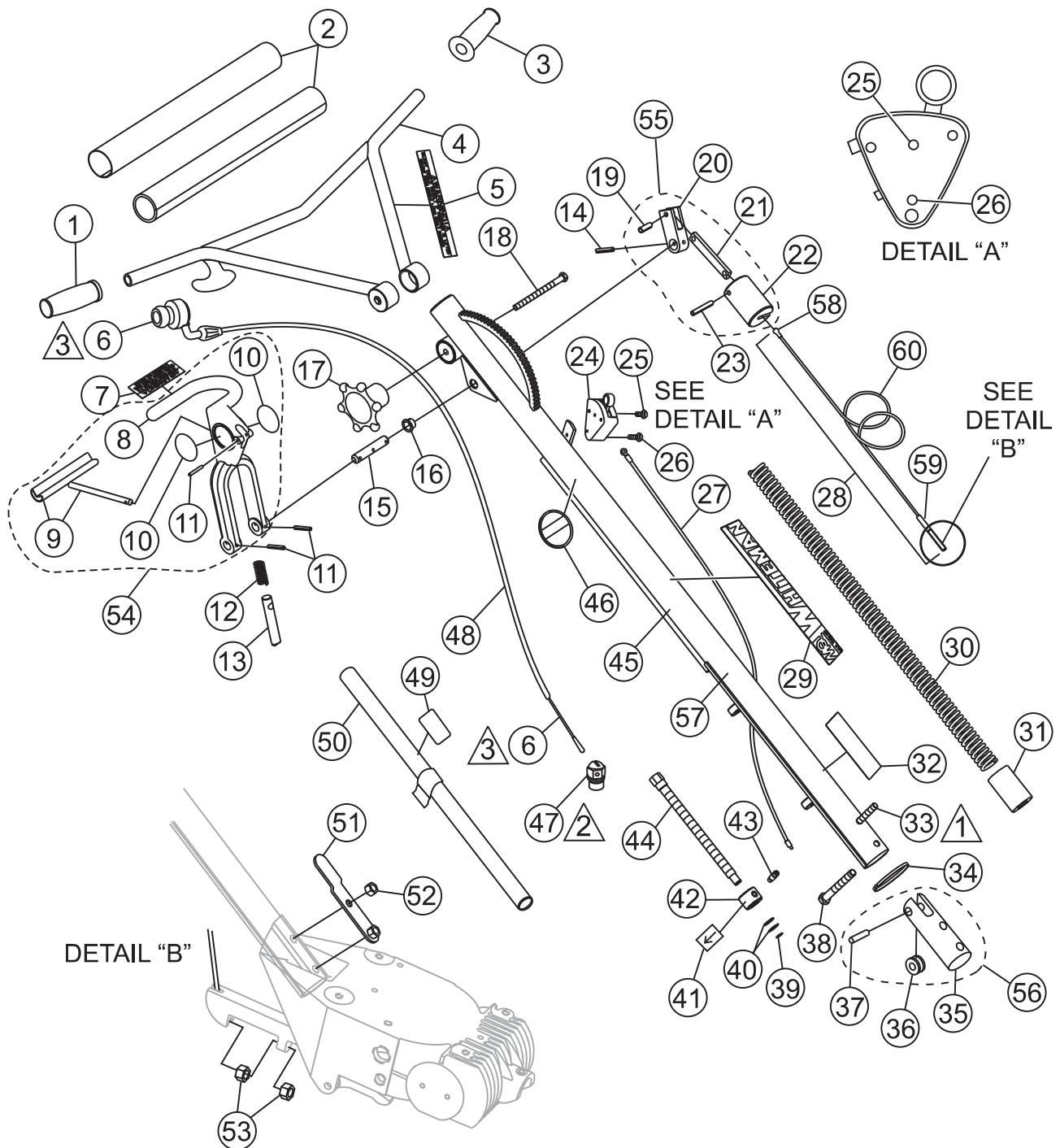
BA-SERIES TROWEL — QUICK-PITCH™ HANDLE ASSY.

QUICK-PITCH HANDLE

<u>NO.</u>	<u>PART NO.</u>	<u>PART NAME</u>	<u>QTY.</u>	<u>REMARKS</u>
1	20463	GRIP, HANDLE RIGHT	1	
2	20774	COVER, PAD HANDLE	1	
3	20478	GRIP, HANDLE LEFT	1	
4	12556	HANDLE, ADJUSTABLE	1	
5	20526	DECAL, LATCH WARNING	1	
6	20435	THROTTLE, J-B	1	
7	20527	DECAL, Q.P. WARNING	1	
8*	20389	HANDLE, QUICK-PITCH™	1	
9*	1746	TRIGGER, QP CHROMED	1	
10*	12405	DECAL, WHITEMAN QUICK-PITCH™	2	
11*	1729	PIN, ROLL 3/16 X 1 1/4	3	
12*	1706	SPRING, ENCLOSED QP CLAMP	1	
13*	20437	PIN, QP LATCH	1	
14	4568	PIN, ROLL 3/16 X 1	1	
15	1711	SHAFT, CONTROL QP	1	
16	1719	BUSHING, PIVOT PLATE	1	
17	20439	WHEEL ASSY., HAND	1	
18	20438	SCREW, HHC 3/8-16 X 5.00	1	
19+	1731	PIN, ROLL 1/4 X 3/4	1	
20+	20443	ARM, SLIDE CONTROL	1	
21+	1709	CONNECTOR, QP CONTROL ARM	1	
22+	20269	LINKAGE, QP CONTROL	1	
23+	20276	PIN, ROLL 1/4 X 1 3/4	1	
24	20856	SWITCH ASSY., KILL	1	INCLUDES ITEMS W/\$
25\$	1602	SCREW, RHM 10-24 X 3/8	1	
26\$	20988	SCREW, FHSC PHILLIPS 8-32 X 1 1/4	1	
27	20514	WIRE ASSY., KILL SWITCH	1	
28	20297	CABLE ASSY., QP CONTROL, 45"	1	INCLUDES ITEMS W/■
29	2942	DECAL, MQ WHITEMAN, 13"	1	
30	1715	SPRING, COUNTER BALANCE	1	
31	20270	BLOCK, QP ADJUSTMENT	1	
32	1735	DECAL, PRELOAD TRIM INDICATOR	1	
33	21017	SCREW, HHC 3/8-16 X 3 1/2 FULL THREAD	1	
34	1662	TIE, CABLE, TY-RAP BLACK	1	
35#	20275	BLOCK, SUPPORT	1	
36#	1118	PULLEY, SUPPORT BLOCK	1	
37#	20279	PIN, SUPPORT BLOCK 3/8 X 1.59	1	
38	1493	SCREW, HHC 3/8-16 X 3 1/4	1	
39	1737	SNAP RING, TRUARC #5100-50	1	
40	1733	WASHER, 1/2 X 1/32, HARDENED	2	

BA-SERIE TROWEL — QUICK PITCH™ HANDLE ASSY.

QUICK PITCH HANDLE



▲ 1 APPLY THREAD LOCK (LOCTITE 242 BLUE OR EQUIVALENT).

▲ 2 PART OF ENGINE ASSEMBLY.

▲ 3 CABLE IS ATTACHED TO THROTTLE AND SEALED AT THE FACTORY. ORDERABLE AS A UNIT ONLY.

BA-SERIES TROWEL — QUICK PITCH™ HANDLE ASSY.

QUICK PITCH HANDLE

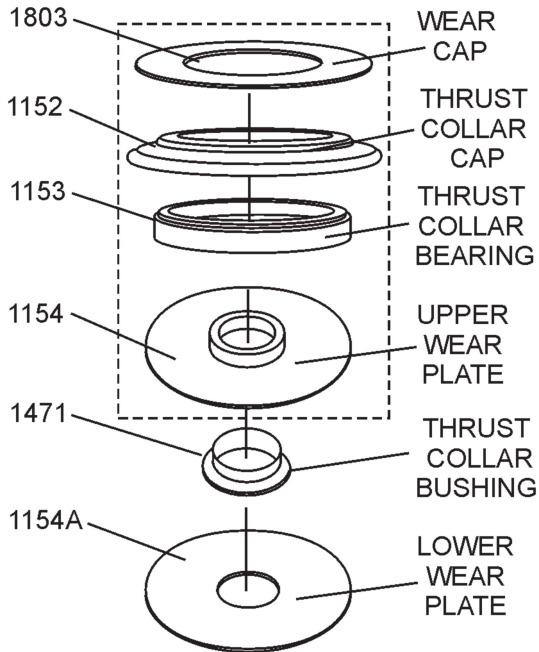
<u>NO.</u>	<u>PART NO.</u>	<u>PART NAME</u>	<u>QTY.</u>	<u>REMARKS</u>
41	1736	DECAL, ARROW	1	
42	1718	NUT, QP TRIM CTRL ADJ	1	
43	1732	BOLT, STRIPPER 3/8 X 1/2	1	
44	1717	SCREW, QP TRIM ADJUSTMENT	1	
45	12642	TUBE, MAIN HANDLE	1	
46	1758	DECAL, PATENT QP	1	
47	20845	SWIVEL, ENGINE THROTTLE CABLE	1	
48	20434	HOUSING, THROTTLE CABLE 74"	1	
49		DECAL, CAUTION, LIFT HANDLE	1	NO LONGER AVAILABLE
50		HANDLE, LIFT ASSY.	1	NO LONGER AVAILABLE
51	20392	BRACKET, LIFT TUBE	1	
52	10133	NUT, NYLOC 3/8-16	1	
53	1116	NUT, BRASS JAM 5/16-18	2	
54	20390	TRIGGER, QP ASSY.	1	INCLUDES ITEMS W/*
55	20293	LINKAGE, QP CONTROL ASSY.	1	INCLUDES ITEMS W/+
56	20280	BLOCK, CABLE ASSY.	1	INCLUDES ITEMS W/#
57		HANDLE ASSY., MAIN	1	CONTACT SALES DEPT.
58■	20421	CLEVIS, BALL END CONTROL CABLE	1	
59■	A8638	END-BOLT, CNTRL CABLE	1	
60■	20271	CABLE, CNTL 5/32 GALV AIRCRAFT 43.19"	1	

BA-SERIES TROWEL — THRUST BEARING KIT ASSY.

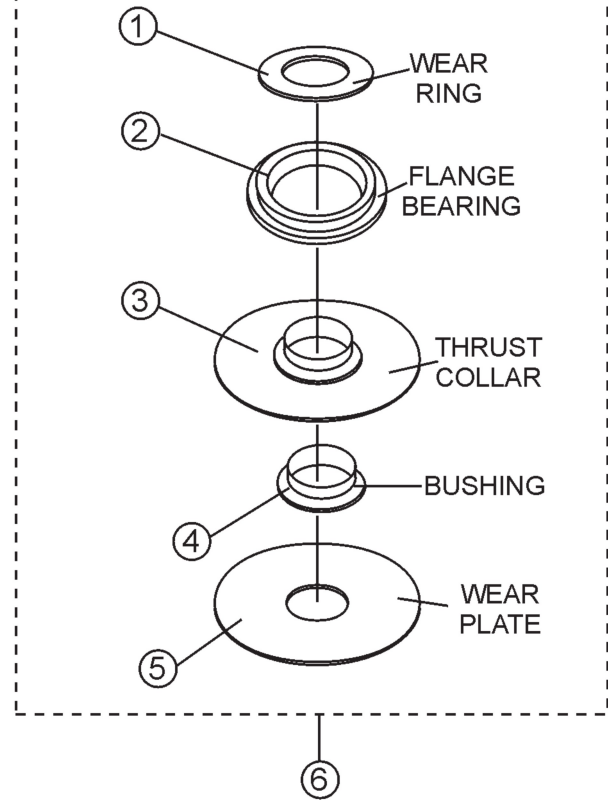
THRUST BEARING KIT ASSEMBLY.

THRUST BEARING KIT No. 10968

OLD STYLE THRUST BEARING NO LONGER USED



NEW STYLE THRUST BEARING



WHEN RE-ORDERING ***MUST*** USE
THRUST BEARING KIT P/N 10968.
OLD STYLE IS NOT AVAILABLE.

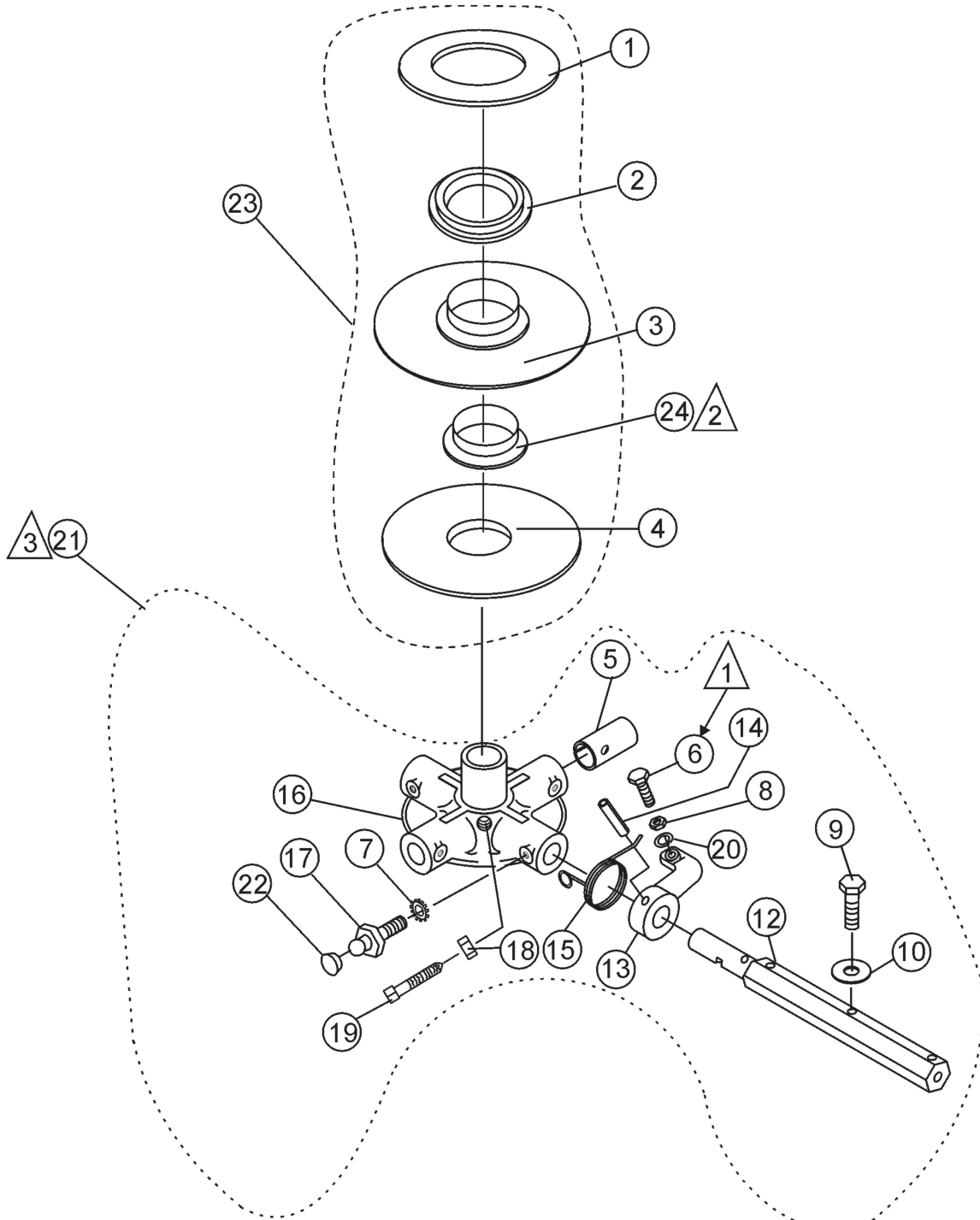
BA-SERIES TROWEL — THRUST BEARING KIT ASSY.

THRUST BEARING KIT ASSEMBLY.

<u>NO.</u>	<u>PART NO.</u>	<u>PART NAME</u>	<u>QTY.</u>	<u>REMARKS</u>
1*	12208	WEAR RING	1	
2*	12778	FLANGE BEARING	1	
3*	10793	THRUST COLLAR W/BUSHING	1	
4*	1471	BUSHING	1	
5*	1154A	LOWER WEAR PLATE	1	
6	10968	THRUST BEARING KIT	1	INCLUDES ITEM W/*

BA-SERIES TROWEL — 4-BLADE SPIDER ASSY.

4 BLADE SPIDER ASSY.



NOTES:

① APPLY LOCTITE P/N 1477

② INCLUDED WITH ITEM 3 OR CAN BE ORDERED SEPARATELY (P/N 1471).

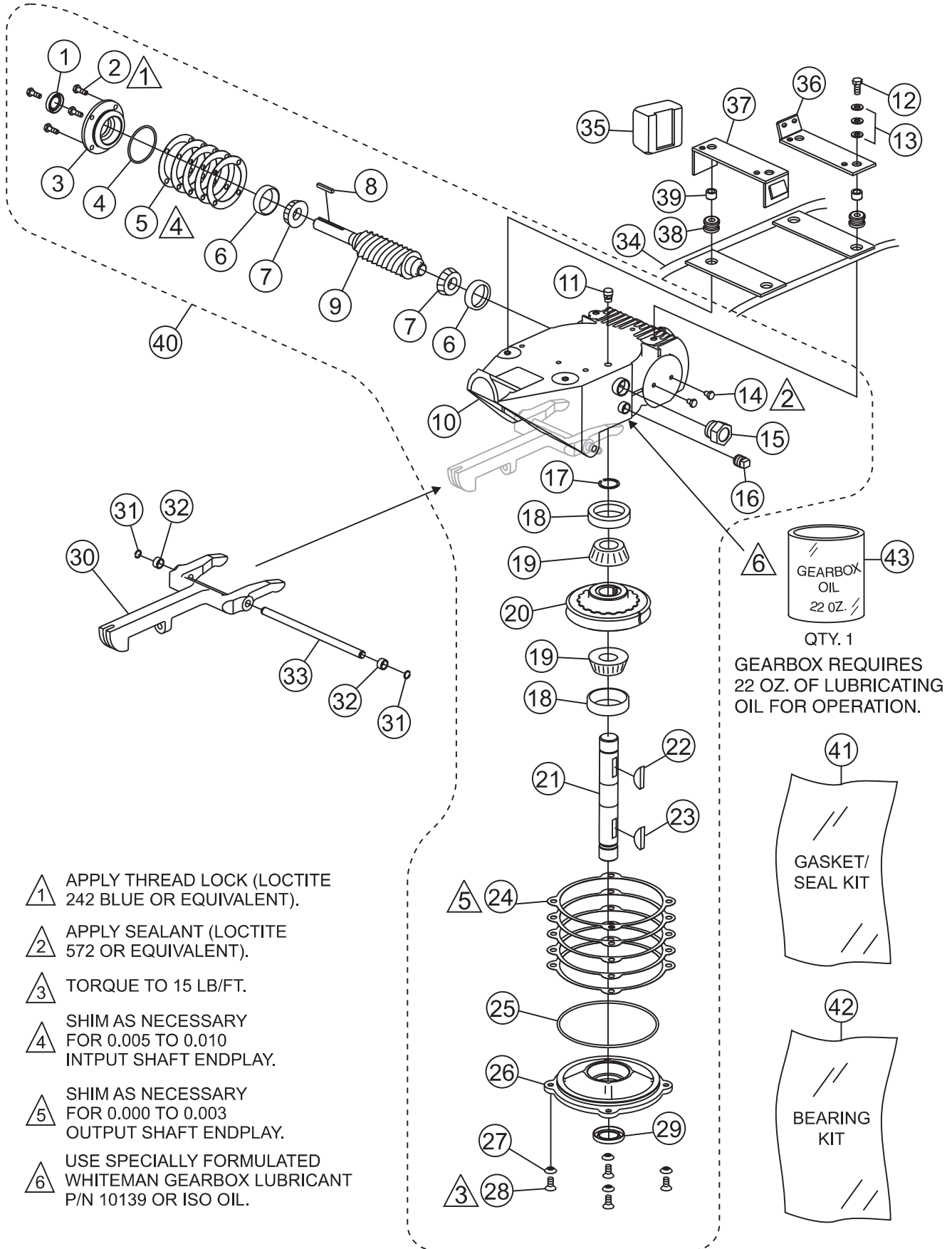
③ SPIDER ASSEMBLIES P/N 1489 AND 1490 INCLUDES ALL ITEMS WITHIN OUTLINE.

BA-SERIES TROWEL — 4-BLADE SPIDER ASSY.

4 BLADE SPIDER ASSY.

<u>NO.</u>	<u>PART NO.</u>	<u>PART NAME</u>	<u>QTY.</u>	<u>REMARKS</u>
1*	12208	WEAR RING	1	
2*	12778	FLANGE BEARING	1	
3*	10793	THRUST COLLAR	1	INCLUDES ITEMS W/#
4*	1154A	WEAR PLATE	1	
5\$	1157A	BEARING INSERT	4	
6\$	0164B	RADIUS HEAD 3/8- 16 x 1-1/4"	4	
7\$	1875	INT. SHKP. WASHER 3/8"	4	
8\$	1876	JAM NUT 3/8- 16	4	
9\$	0105	HHCS 5/16- 18 x 1-1/2"	8	
10\$	0161C	LOCK WASHER 5/16"	8	
12\$	2827	TROWEL ARM EXTENDED, 16-1/2"	4	
13\$	1163	TROWEL ARM LEVER	4	
14\$	4164	ROLL PIN 5/16 x 1-3/4"	4	
15\$	1316	SPRING (RIGHT HAND)	4	
16\$	1161	SPIDER PLATE ONLY	1	
17\$	1322	RETAINING SCREW ASSY.	4	
18\$	1456	HEX NUT 3/8-16	1	
19\$	1167A	SHSS 3/8-16 x 1-1/2" CONE POINT	1	
20\$	0166A	LOCK WASHER 3/8"	4	
21	1490	SPIDER PLATE ASSY. (4 BLADE)	1	INCLUDES ITEMS W/\$
22	1162A	LUBRA- CAP	4	
23	10968	THRUST BEARING KIT	1	INCLUDES ITEMS W/*
24*#	1471	THRUST COLLAR BUSHING	1	

BA-SERIES TROWEL — GEARBOX AND ENGINE MOUNTS ASSY.



- ▲ 1 APPLY THREAD LOCK (LOCTITE 242 BLUE OR EQUIVALENT).
- ▲ 2 APPLY SEALANT (LOCTITE 572 OR EQUIVALENT).
- ▲ 3 TORQUE TO 15 LB/FT.
- ▲ 4 SHIM AS NECESSARY FOR 0.005 TO 0.010 INPUT SHAFT ENDPLAY.
- ▲ 5 SHIM AS NECESSARY FOR 0.000 TO 0.003 OUTPUT SHAFT ENDPLAY.
- ▲ 6 USE SPECIALLY FORMULATED WHITEMAN GEARBOX LUBRICANT P/N 10139 OR ISO OIL.

QTY. 1
 GEARBOX REQUIRES
 22 OZ. OF LUBRICATING
 OIL FOR OPERATION.

GASKET/
 SEAL KIT

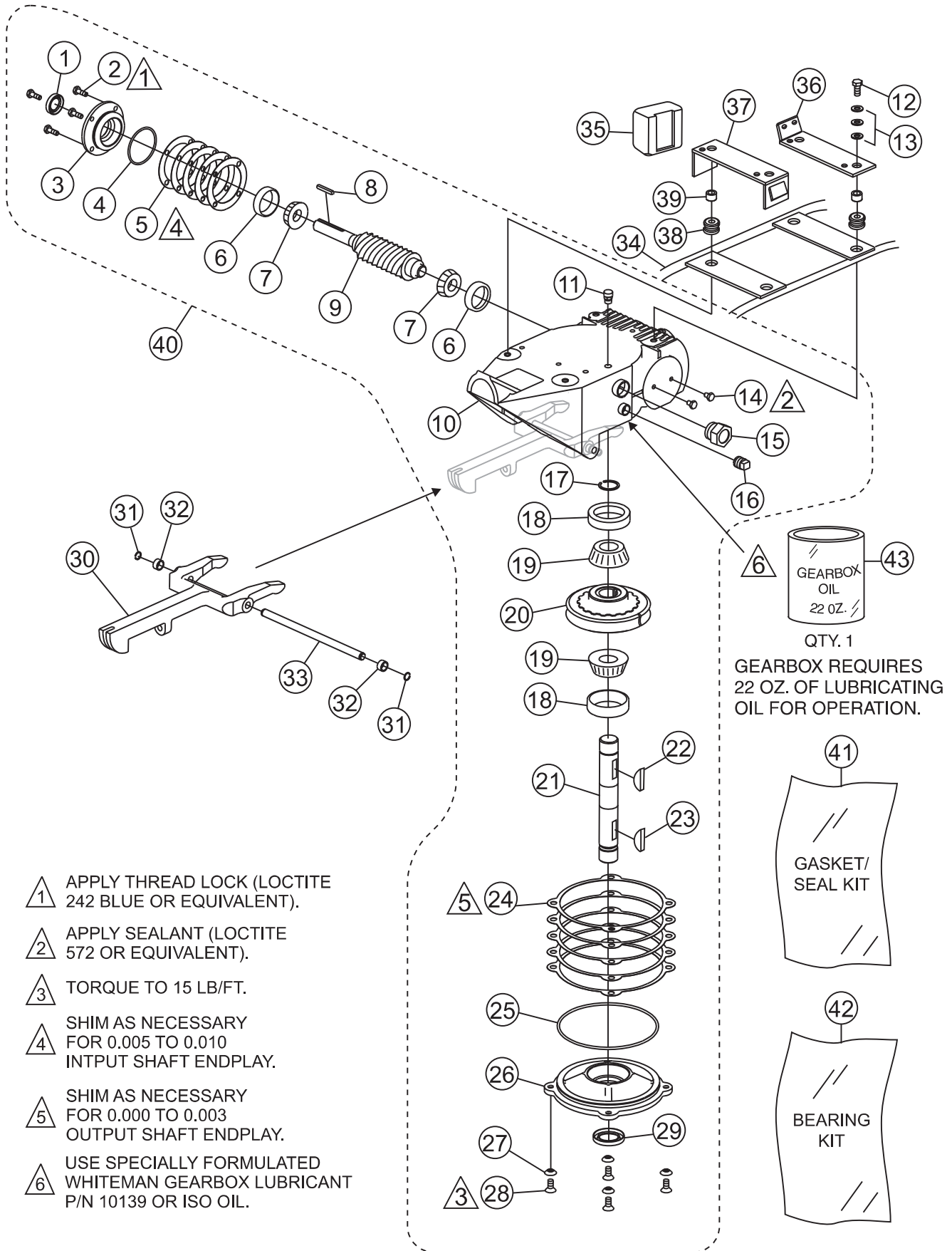
BEARING
 KIT

BA-SERIES TROWEL — GEARBOX AND ENGINE MOUNTS ASSY.

GEARBOX AND ENGINE MOUNTS ASSY.

<u>NO.</u>	<u>PART NO.</u>	<u>PART NAME</u>	<u>QTY.</u>	<u>REMARKS</u>
1%*	0753	SEAL, OIL NATIONAL #470954	1	
2%	0131A	SCREW, HHC 1/4-20 X 3/4	4	
3%	12876	FLANGE, INPUT SHAFT	1	
4%*	20395	RING, O -139 BUNA N	1	
5%*	20397	SHIM, INPUT 0.002 THICK	1	
	20398	SHIM, INPUT 0.003 THICK	1	
	20399	SHIM, INPUT 0.005 THICK	1	
	20400	SHIM, INPUT 0.010 THICK	1	
	20401	SHIM, INPUT 0.020 THICK	1	
6%#	20466	BEARING, CUP, TIMKEN #LM11910	2	
7%#	20465	BEARING, CONE, TIMKEN #LM11949	2	
8%	0627	KEY, SQUARE 3/16 X 1 1/4	1	
9%	1851	GEAR, WORM & SHAFT ASSY.	1	
10%	12874	CASE, GEAR, J, B FINISHER	1	
11%	1132	VENT, AIR	1	
12	0655	SCREW, HHC 5/16-18 X 3/4	1	
13	0300B	WASHER, FLAT 5/16 SAE	3	
14%	20476	SCREW, HHC 1/4-28 X 3/8	2	
15%	21033	SIGHT GLASS, 3/4 M PIPE STEEL	1	
16%	0121A	FITTING, PLUG 3/8 MP SQ HEAD	1	
17%	1138	RING, SNAP, TRUARC 5100-112	1	
18%#	20475	BEARING, CUP TIMKEN #M86610	2	
19%#	20474	BEARING, CONE TIMKEN #M86647	2	
20%	1140	GEAR, WORM, BRONZE	1	
21%	20470	SHAFT, OUTPUT J/B FIN	1	
22%	1139	KEY, WOODRUFF #21 HARDENED	1	
23	1238	KEY, WOODRUFF #25	1	
24%*	20402	SHIM, OUTPUT 0.002 THICK	1	
	20403	SHIM, OUTPUT 0.003 THICK	1	
	20404	SHIM, OUTPUT 0.005 THICK	1	
	20405	SHIM, OUTPUT 0.010 THICK	1	
	20406	SHIM, OUTPUT 0.020 THICK	1	
25%*	20396	RING, O -257 BUNA N	1	
26%	12875	COVER, GEARBOX	1	
27%	10235	WASHER, C/S EXT. SHKP	4	
28%	1146	SCREW, FHSC 5/16-18 X 1, NYLOC NP	4	
29%*	0254	SEAL, OIL, NATIONAL #470712	1	
30	1150	ARM, YOKE	1	
31	20802	RING, SNAP, TRUARC 5100-37 OR EQUIV.	2	
32	20803	SPACER, .50 OD X .40 ID X 0.25L	2	
33	20801	PIN, YOKE	1	
34	20811	STATIONARY GUARD RING	1	
35	1810	WEIGHT	2	

BA-SERIES TROWEL — GEARBOX AND ENGINE MOUNTS ASSY.



- ▲ 1 APPLY THREAD LOCK (LOCTITE 242 BLUE OR EQUIVALENT).
- ▲ 2 APPLY SEALANT (LOCTITE 572 OR EQUIVALENT).
- ▲ 3 TORQUE TO 15 LB/FT.
- ▲ 4 SHIM AS NECESSARY FOR 0.005 TO 0.010 INPUT SHAFT ENDPLAY.
- ▲ 5 SHIM AS NECESSARY FOR 0.000 TO 0.003 OUTPUT SHAFT ENDPLAY.
- ▲ 6 USE SPECIALLY FORMULATED WHITEMAN GEARBOX LUBRICANT P/N 10139 OR ISO OIL.

QTY. 1
 GEARBOX REQUIRES
 22 OZ. OF LUBRICATING
 OIL FOR OPERATION.

GASKET/
 SEAL KIT

BEARING
 KIT

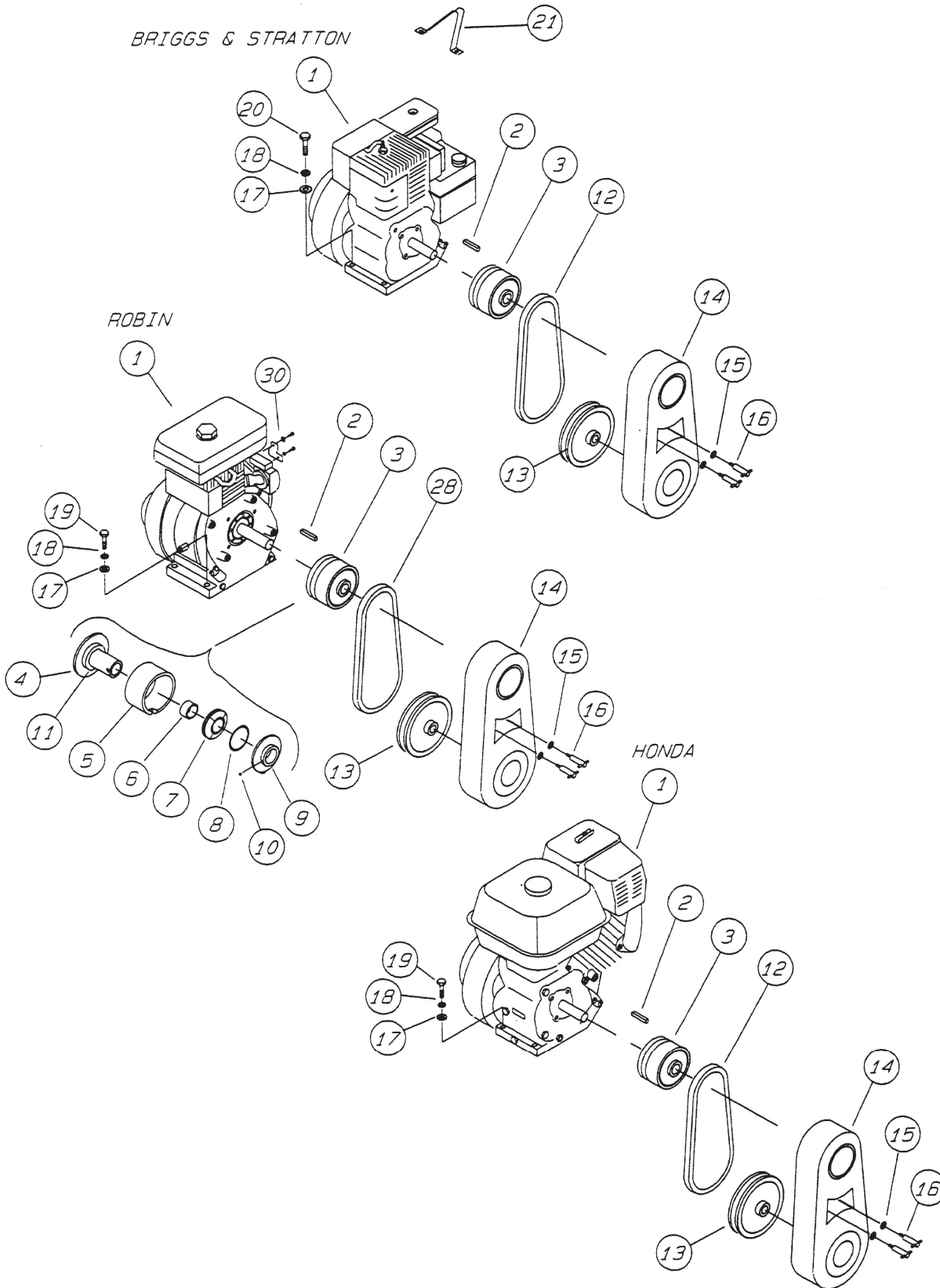
BA-SERIES TROWEL — GEARBOX AND ENGINE MOUNTS ASSY.

GEARBOX AND ENGINE MOUNTS ASSY.

<u>NO.</u>	<u>PART NO.</u>	<u>PART NAME</u>	<u>QTY.</u>	<u>REMARKS</u>
36	1958	FRONT ENGINE MOUNT (HONDA)	1	
36	1965	FRONT ENGINE MOUNT (ROBIN)	1	
36	20536	FRONT ENGINE MOUNT (BRIGGS)	1	
37	1964	REAR ENGINE MOUNT (HONDA 8HP)	1	
37	20954	REAR ENGINE MNT. (HONDA W/HAND CLUTCH)	1	
37	20545	REAR ENGINE MOUNT (ROBIN)	1	
37	20558	REAR ENGINE MOUNT (BRIGGS)	1	
38	1247	GROMMET 1/4 X .875 ID X 1-5/8 OD	4	
39	1245	BUSHING, GUARD RING	4	
40	20407	GEARBOX ASSY.	1	INCLUDES ITEMS W/%
41	21046	GASKET/SEAL KIT	1	INCLUDES ITEMS W/*
42	21047	BEARING KIT	1	INCLUDES ITEMS W/#
43	10139	GEARBOX OIL, 22 OZ.	1	

BA-SERIES TROWEL — ENGINES, HONDA, ROBIN, BRIGGS & STRATTON

ENGINES, 8 HP HONDA, 8 HP ROBIN, & 8 HP BRIGGS AND STRATTON ASSY.



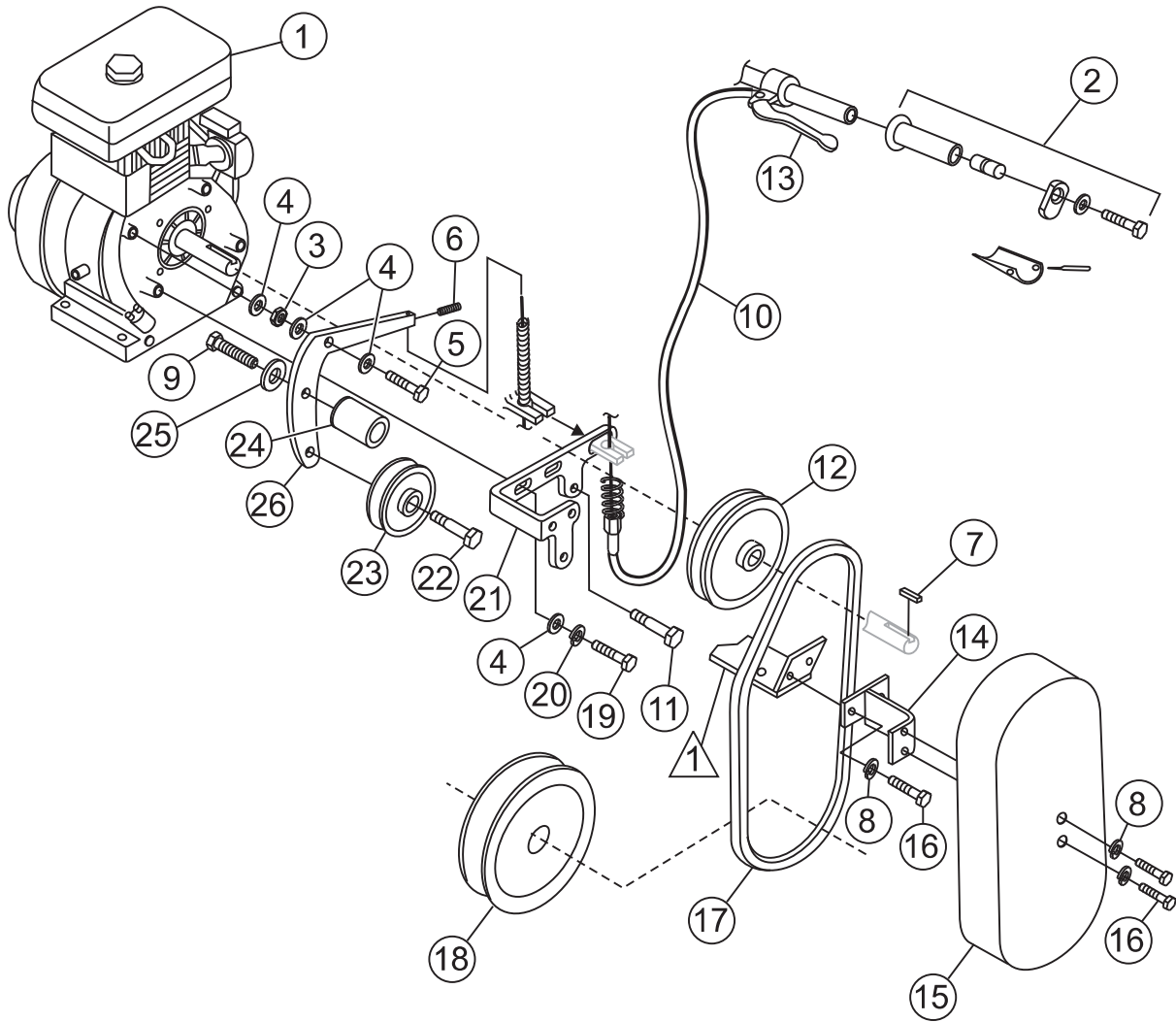
BA-SERIES TROWEL — ENGINES, HONDA, ROBIN, BRIGGS & STRATTON

ENGINES, 8 HP HONDA, 8 HP ROBIN, & 8 HP BRIGGS AND STRATTON ASSY.

<u>NO.</u>	<u>PART NO.</u>	<u>PART NAME</u>	<u>QTY.</u>	<u>REMARKS</u>
1	1387	ENGINE 8HP HONDA	1	
1	20469	ENGINE 8HP BRIGGS & STRATTON	1	
1	1256	ENGINE 8HP ROBIN	1	
2	0310	SQUARE KEY 1/4X1/4X1.1/2"	1	
3	0250	AUTOMATIC CLUTCH ASSY. 1" BORE	1 INCLS. ALL ITEMS W/*
4*	0252	SPINDLE 1" BORE	1	
5*	0251	CLUTCH HOUSING DRUM	1	
6*	0458	CLUTCH HOUSING DRUM BUSHING	1	
7*	B1766	WEIGHT, CLUTCH	1 REPLACES P/N 0454
8*	0855	SPRING	1	
9*	0253	CLUTCH EXPANSION PLATE	1	
10*	1868	SCREW, SHS 3/8-24 X 3/4, NOPLT	1 REPLACES P/N 0457
11*	0456	BELT RUNNER (BEARING)	1	
12	0261	BELT (A31)(HONDA,B&S)	1	
13	1127	PULLEY	1	
14	1335	BELT GUARD	1	
15	0181B	LOCK WASHER 1/4"	2	
16	2577	T-BOLT 1/4-20	2	
17	0300B	FLAT WASHER 5/16"	4	
18	0161C	LOCK WASHER 5/16"	4	
19	10181	HHCS 5/16-24 x 1-1/4"	4	
20	1391	HHCS 5/16-24 x 1-1/2"	4	
21		LIFT STRAP	1 CONTACT UNIT SALES DEPT./ACCESSORY ITEM
28	0152 1	BELT (A30) GATES (ROBIN)	1	

BA-SERIES TROWEL — HAND CLUTCH ASSY.

HAND CLUTCH ASSY.



⚠ SEE GEARBOX AND ENGINE MOUNTS ITEM 36 PAGE 52.

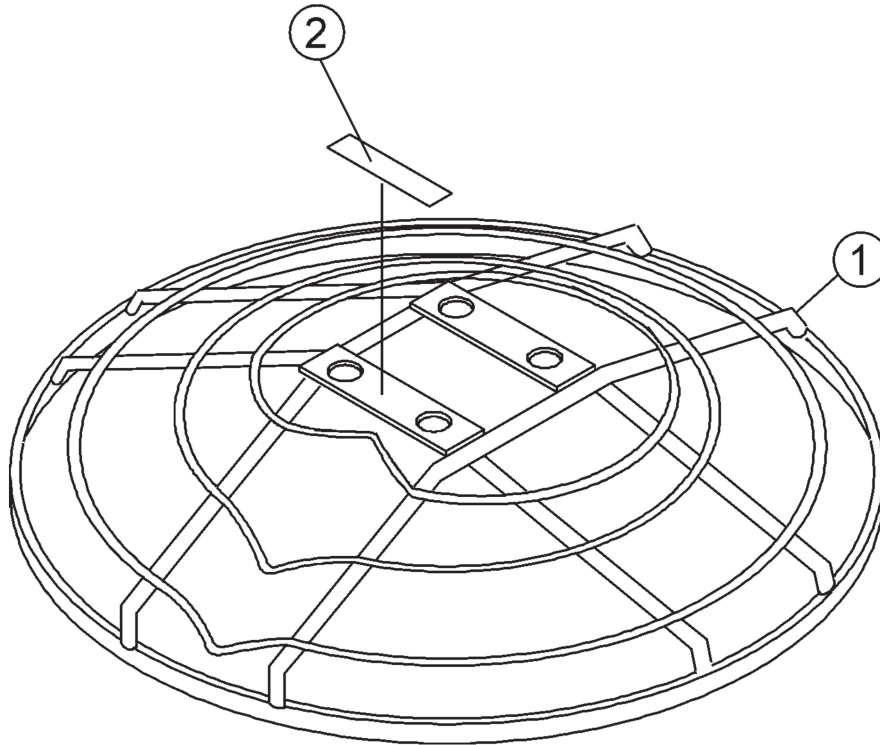
BA-SERIES TROWEL — HAND CLUTCH ASSY.

HAND CLUTCH ASSY.

<u>NO.</u>	<u>PART NO.</u>	<u>PART NAME</u>	<u>QTY.</u>	<u>REMARKS</u>
1	1387	ENGINE DRIVE ASSY. 8 HP HONDA	1	
2	10036	CLUTCH ASSIST HANDLE ASSY.	1	
3	6014C	HEX FINISH NUT 5/16-24	1	
4	0300B	FLAT WASHER 5/16"	5	
5	10181	SCREW, HHC 5/16-24X1.1/4"	1	
6	10450	SHSS 10-32X1/4"	1	
7	0310	KEY, CLUTCH 1/4 x 1/4 x 1.1/2"	1	
8	0181B	LOCK WASHER 1/4"	4	
9	1672	SCREW, HHC 3/8-24 x 1"	1	
10	10936	HAND CLUTCH CABLE ASSY.	1	
11	10971	SHOULDER BOLT 5/16X1.1/2"	1	
12	2469	PULLEY,ENGINE	1	
13	1512	HAND CLUTCH CONTROL LEVER	1	
14	10831	BELT GUARD MOUNT	1	
15	10833	BELT GUARD	1	
16	0730	HHCS 1/4-20X1"	4	
17	0262	BELT,(A33)(HONDA)	1	
18	1127	PULLEY,DRIVEN(HONDA)	1	
19	10229	HHCS 5/16-24X1"	2	
20	0161C	LOCK WASHER 5/16"	2	
21	10898	CLUTCH BRKT.	1	
22	10281	BOLT, SHOULDER 3/8-x 1.1/2"	1	
23	10935	PULLEY,IDLER	1	
24	20981	SHOE, BELT HAND CLUTCH	1	
25	13351	WASHER, FLAT 3/8 USS EXT THK HI STR	1	
26	10822	CLUTCH IDLER LEVER	1	

BA-SERIES TROWEL — GUARD RING ASSY.

GUARD RING ASSY.



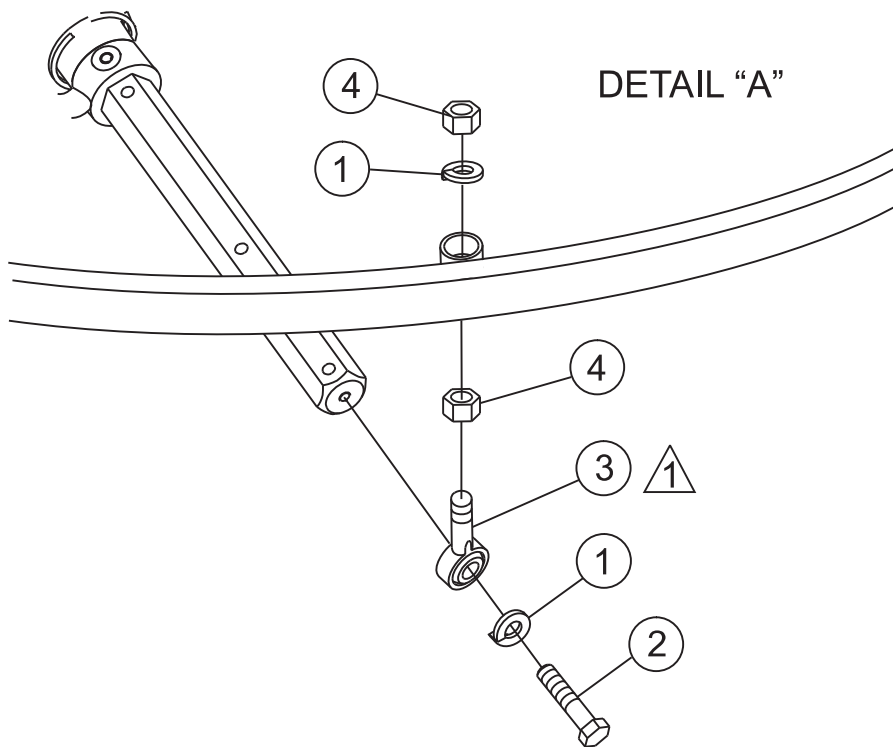
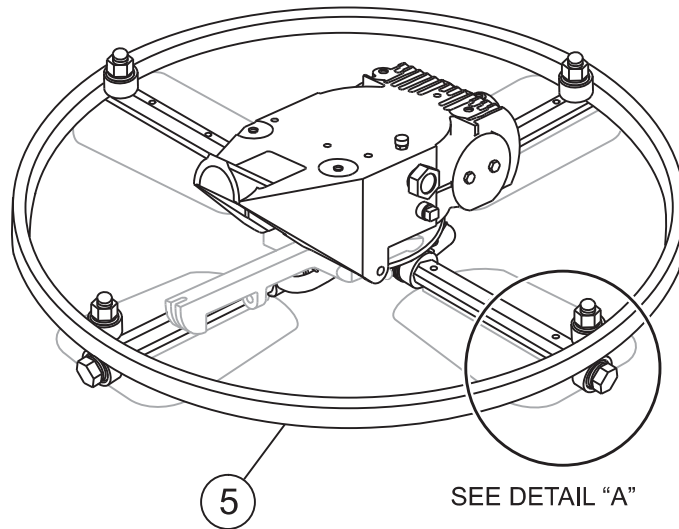
BA-SERIES TROWEL — GUARD RING ASSY.

GUARD RING ASSY.

<u>NO.</u>	<u>PART NO.</u>	<u>PART NAME</u>	<u>QTY.</u>	<u>REMARKS</u>
1	20797	STATIONARY GUARD RING	1	
2	1489	SPIDER PLATE ASSY 16-1/2" ARM (EXT)	1	3-BLADE MODEL
2	1490	SPIDER PLATE ASSY 16-1/2" ARM (EXT)	1	4-BLADE MODEL

BA-SERIES TROWEL — STABILIZER RING ASSY.

STABILIZER RING ASSY.



△ 1 APPLY LOCTITE 242 BLUE OR EQUIVALENT.

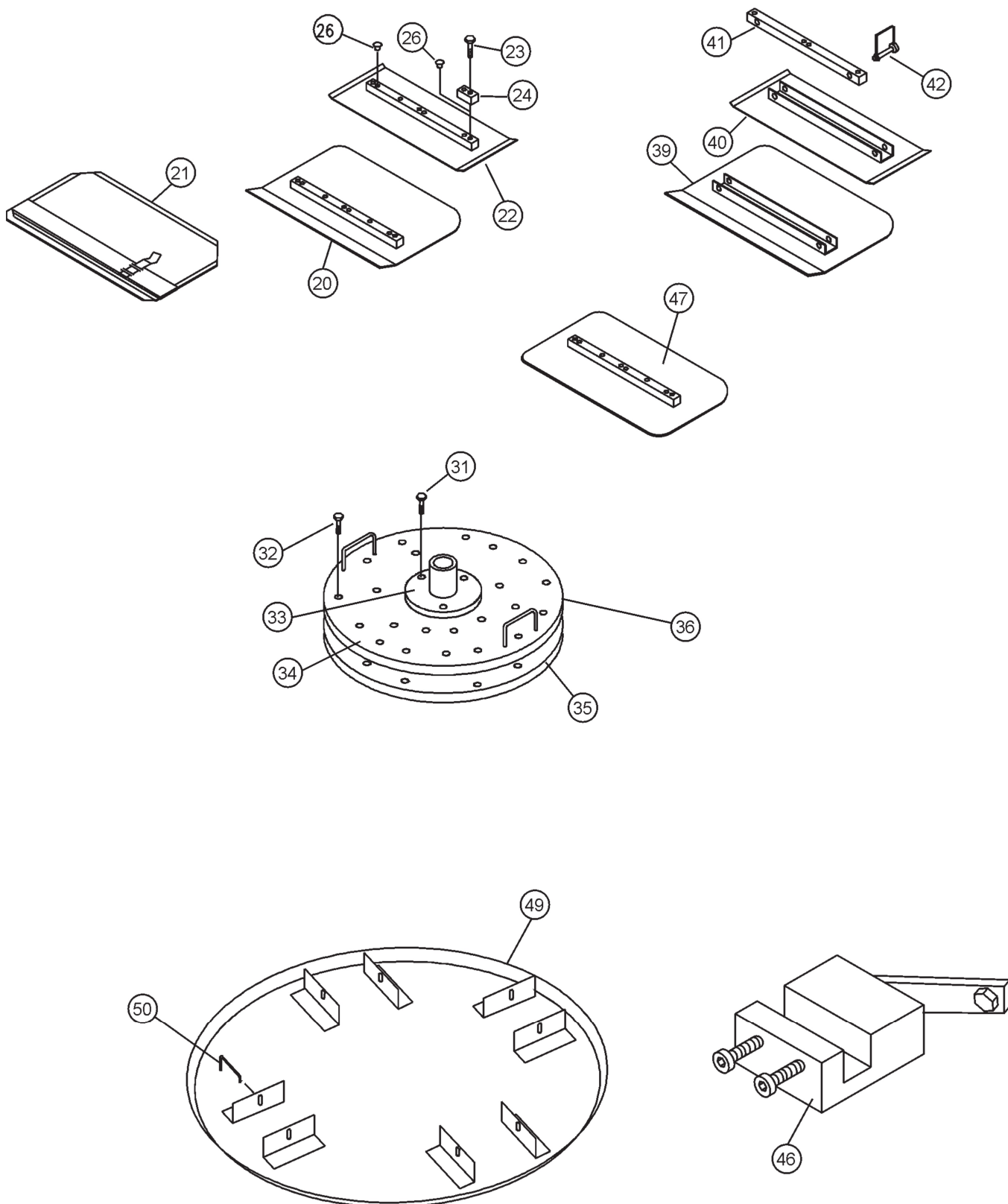
BA-SERIES TROWEL — STABILIZER RING ASSY.

STABILIZER RING ASSY.

<u>NO</u>	<u>PART NO</u>	<u>PART NAME</u>	<u>QTY.</u>	<u>REMARKS</u>
1	0161C	WASHER, LOCK, 5/16 MED	4	
2	1237	SCREW, SCH 5/16-18 X 7/8, NYL, NP	4	
3	1723	ROD END, 5/16-24 MALE	4	
4	6014C	NUT, HEX FINISH 5/16-24	8	
5	1482	RING, STABILIZER, 14-1/2" ARM	1	3-BLADE MODEL, REPLACES P/N 1234
5	1483	RING, STABILIZER, 14-1/2" ARM	1	4-BLADE MODEL, REPLACES P/N 1235

BA-SERIES TROWEL — BLADES & ADJUSTMENT FIXTURE ASSY.

BLADES & ADJUSTMENT FIXTURE ASSY.



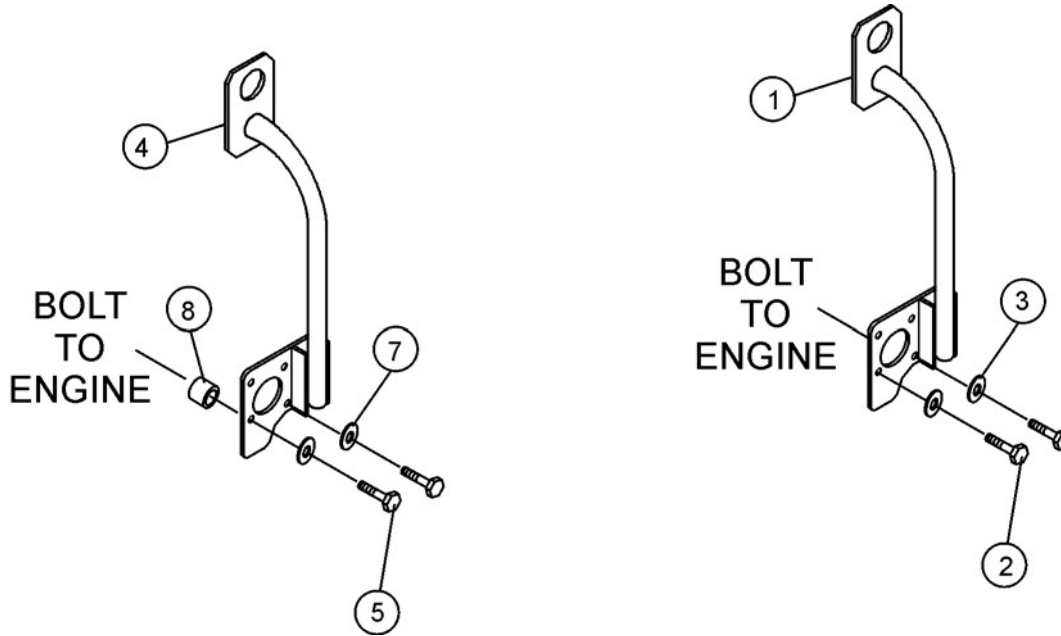
BA-SERIES TROWEL — BLADES & ADJUSTMENT FIXTURE ASSY.

BLADES & ADJUSTMENT FIXTURE ASSY.

<u>NO.</u>	<u>PART NO.</u>	<u>PART NAME</u>	<u>QTY.</u>	<u>REMARKS</u>
20		COMBO FLOAT & FINISH BLADE	3,4	CONTACT UNIT SALES DEPT./ACCESSORY ITEM
20		ENDURO COMBO FLOAT & FINISH BLADE	3,4	CONTACT UNIT SALES DEPT./ACCESSORY ITEM
21		FLOAT BLADE	3,4	CONTACT UNIT SALES DEPT./ACCESSORY ITEM
22		FINISH BLADE	3,4	CONTACT UNIT SALES DEPT./ACCESSORY ITEM
22		ENDURO FINISH BLADE W/ROTATING	3,4	CONTACT UNIT SALES DEPT./ACCESSORY ITEM
23	0202	HHCS 5/16-18X1" RING	3,4	
24	0201	GUARD RING LUG RING	3,4	
26	1434	TROWEL LUG (FINISH BLADE ONLY)	3,4	
27	1162A	LUBRA-CAP	3,4	
28	1482	STABILIZER RING 14 1/2" ARM (B-3 MODEL)	1	
28	1483	STABILIZER RING 14 1/2" ARM (B-4 MODEL)	1	
29	6014C	HEX NUT 5/16-24	6,8	
30	1237	HHCS 5/16-18X7/8" NY-LOC	3,4	
31	0490	SHCS 7/16-14X1"	3	
32	0487	SHCS 3/8-16X1/2"	20	
33	0489	GRINDING DISC HUB	1	
34	0488	STONE MOUNT PLATE	1	
35		GRINDING DISC STONE ONLY	1	CONTACT UNIT SALES DEPT./ACCESSORY ITEM
36		GRINDING DISC ASSY.	1	CONTACT UNIT SALES DEPT./ACCESSORY ITEM
39		UNIVERSAL COMBO BLADE	3,4	CONTACT UNIT SALES DEPT./ACCESSORY ITEM
39		ENDURO UNIVERSAL COMBO BLADE	3,4	CONTACT UNIT SALES DEPT./ACCESSORY ITEM
40		UNIVERSAL FINISH BLADE	3,4	CONTACT UNIT SALES DEPT./ACCESSORY ITEM
40		ENDURO UNIVERSAL FINISH BLADE	3,4	CONTACT UNIT SALES DEPT./ACCESSORY ITEM
41		UNIVERSAL MOUNTING BAR	3,4	CONTACT UNIT SALES DEPT./ACCESSORY ITEM
42		SNAP PIN 1/4"X1.3/4"	6,8	CONTACT UNIT SALES DEPT./ACCESSORY ITEM
44	0166A	LOCK WASHER 3/8"	3,4	
46		TROWEL ARM ADJ. FIXTURE ASSY.	1	CONTACT UNIT SALES DEPT./ACCESSORY ITEM
47		REVERSIBLE COMBO BLADE	3,4	CONTACT UNIT SALES DEPT./ACCESSORY ITEM
48	1723	MALE R.H. ROD END 5/16"	1	
49		FLOAT DISC	1	CONTACT UNIT SALES DEPT./ACCESSORY ITEM
50		FLOAT DISC LATCH PIN	4	CONTACT UNIT SALES DEPT./ACCESSORY ITEM

BA-SERIES TROWEL — LIFTING BALE ASSY. (OPTION)

LIFTING BALE ASSY. (OPTION)



BA-SERIES TROWEL — LIFTING BALE ASSY. (OPTION)

LIFTING BALE ASSY. (OPTION)

NO.	PART NO.	PART NAME	QTY.	REMARKS
1		LIFTING BALE ASSY.	1	CONTACT UNIT SALES DEPT./ACCESSORY ITEM
2	10229	HHCS 5/16-24X1"	4	
3	0161C	LOCK WASHER 5/16"	4	
4		LIFTING BALE ASSY.	1	CONTACT UNIT SALES DEPT./ACCESSORY ITEM
5	0205	HHCS 3/8-16X1"	3	
6	1394	FHSCS 3/8-16X1"	1	
7	0166A	LOCK WASHER 3/8"	3	
8	1897	SPACER (ROBIN ENGINE)	4	