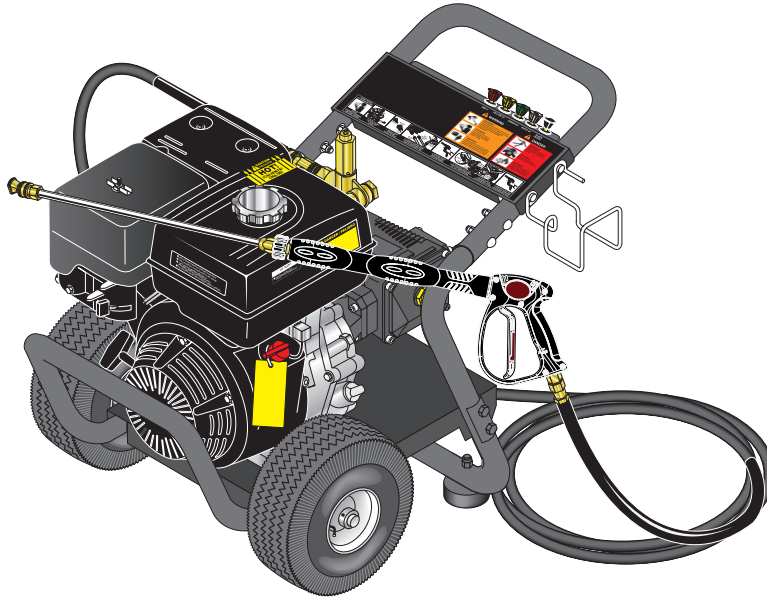


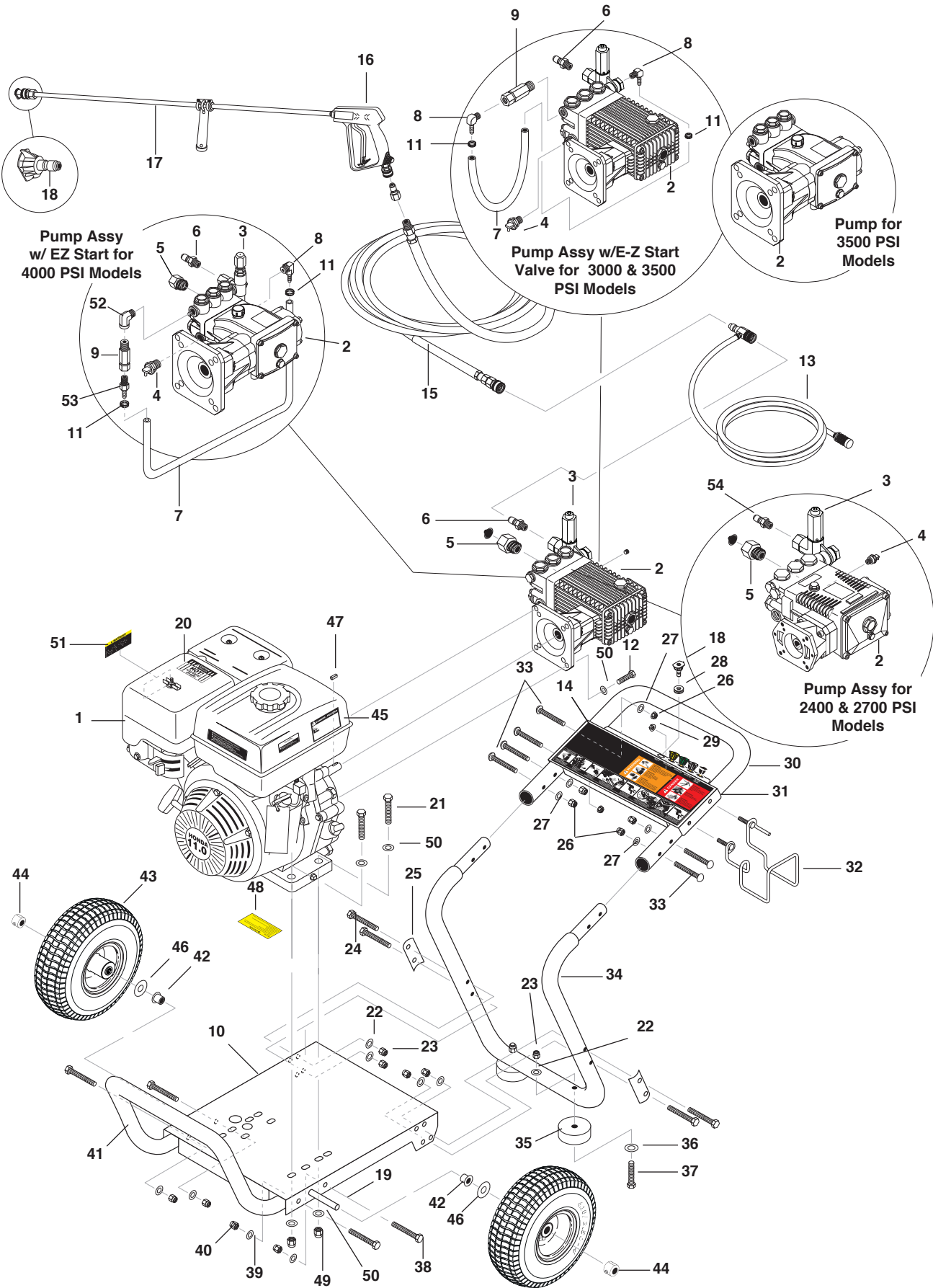
# SERVICE MANUAL



<u>MODEL #</u>	<u>ORDER #</u>
HD 2.3/24 P	1.575-100.0
HD 2.5/27 P	1.575-101.0
HD 3.0/30 P	1.575-102.0
HD 3.8/35 P	1.575-104.0
HD 3.5/40 P	1.107-223.0
PC3-24324	1.107-005.0
PC3-27324	1.107-006.0
PC4-35324	1.107-008.0
PC4-40324	1.107-224.0

<u>MODEL #</u>	<u>ORDER #</u>
DB-232439	1.107-031.0
DB-252739	1.107-032.0
DB-303039	1.107-033.0
DB-383539	1.107-034.0
DB-354039	1.107-222.0
DG-232437	1.107-138.0
	1.107-244.0
DG-252737	1.107-139.0
	1.107-245.0
DG-303037	1.107-140.0
DG-383537	1.107-141.0
DG-354037	1.107-225.0
	1.107-246.0

# EXPLODED VIEW



## EXPLODED VIEW PARTS LIST

ITEM	PART NO.	DESCRIPTION	QTY	ITEM	PART NO.	DESCRIPTION	QTY
1		Engine, See Specifications Page		20	9.800-006.0	Label, HOT	1
2		Pump, See Specifications Page		21	9.802-713.0	Bolt, 5/16" x 1-1/2", NC HH (2400, 2700 PSI Models)	4
3		Unloader, See Specifications Page			9.802-727.0	Bolt, 3/8" x 1-3/4" Tap (3000, 3500, 4000 PSI Models)	4
4	9.804-025.0	Pump Protector, 1/4" 145°	1	22	9.802-807.0	Washer, 3/8" SAE, Flat	6
	8.707-256.0	Pump Protector, 1/2" (4000 PSI Models Only)	1	23	9.197-003.0	Nut, 3/8" ESNA, NC	6
5	9.802-146.0	Swivel, 1/2" MP x 3/4" GHF	1	24	9.802-728.0	Bolt, 3/8" x 2" NC, HH	4
6	9.802-171.0	Coupler 3/8", Plug, Male, Steel/Zinc	1	25	9.803-114.0	Retainer Bracket, Handle, Blk	2
	9.802-170.0	Coupler, 3/8", Plug, Female Steel/Zinc (3000 & 3500 PSI Models)	1		8.912-061.0	Retainer Bracket, Handle, Red (DB Models Only)	2
7	9.802-254.0	Hose, 1/4" Push-on (E-Z-Start Models Only )	14 in	26	9.802-773.0	Nut, 1/4" ESNA, NC	6
8	8.706-955.0	Hose, Barb, 1/4" Barb x 1/8" MP, 90° (3000 & 3500 PSI Models)	1	27	9.802-802.0	Washer, 1/4" Flat	6
	8.706-958.0	Hose Barb, 1/4" Barb x 1/4" Pipe (3000, 3500 & 4000 PSI)	1	28	9.802-064.0	Grommet, Nozzle Holder	5
9	9.802-190.0	Valve, E-Z Start 3/8" MPT x 1/8" FPT (3000, 3500 & 4000 PSI)	1	29	9.802-788.0	Nut, 5/16" Whiz Loc Flange	2
10	9.803-125.0	Base, CW Direct, Black	1	30	8.925-057.0	Handle, Grab, Grey, OS	1
	8.912-065.0	Base, CW Direct Red (DB Models Only)	1		8.719-938.0	Handle, Grab, Red (DB Models Only)	1
11	6.390-126.0	Clamp, Hose (E-Z Start Models)	2	31	9.803-126.0	Plate, Warning, Black	1
12	9.802-722.0	Bolt, 3/8" x 1-1/4" NC, HH (3000, 3500 & 4000 PSI Only)	4	32	9.803-098.0	Hanger, Hose/Wand	1
	8.733-007.0	Bolt, 5/16"-24 x 3/4"	4	33	9.802-706.0	Bolt, 1/4"-20 x 1-3/4", Cge, Zc	6
13	9.802-216.0	Injector, Detergent, Assembly (All Models)	1	34	8.925-058.0	Handle, Lower Grab, Grey, OS	1
	9.802-216.0	Injector, Chemical, Non-Adjust	1		8.719-937.0	Handle, Lower Grab, Red (DB Models Only)	1
	8.707-057.0	Strainer, Plastic, 1/4" Hose Barb	1	35	9.802-066.0	Pad, Soft Rubber	2
	9.802-251.0	Tube, 1/4" x 1/2" Clear Vinyl	6 ft.	36	9.802-817.0	Washer, 3/8" x 1" Steel	2
	6.390-126.0	Hose Clamp	2	37	9.802-730.0	Bolt, 3/8" x 2-1/2" HH, Grd. 5	2
14	9.800-723.0	Label, Instructions	1	38	9.802-712.0	Bolt, Carriage, 5/16" x 1-3/4"	4
	8.753-777.0	Label, Instructions (244.0, 245.0, 246.0)	1	39	8.718-980.0	Washer, 5/16" Flat	4
15		Hose High Pressure, See Specifications Page		40	9.802-776.0	Nut, 5/16" ESNA, NC	4
16		Gun, See Specifications Page		41	8.925-059.0	Handle, Bumper, Grey, OS	1
17		Wand, See Specifications Page			8.719-939.0	Handle, Bumper, Red (DB Models Only)	1
18		Nozzle Size, See Page 18 For Proper Size		42	9.802-103.0	Bushing, 5/8" Snap	2
	<b>8.904-153.0</b>	<b>Nozzle Kit 3.0 (2400, 2700 PSI)</b>	1	43	8.754-186.0	Qh Wheel Assy, 10" Gray Steel Rim W/Tube	2
	8.712-331.0	Nozzle, 3.0 0° Red	1	44	9.802-782.0	Collar, 5/8" Bore Shaft	2
	8.712-333.0	Nozzle, 3.0 15° Yellow	1	45	9.800-008.0	Label, Cool Engine Before Filling	1
	8.712-334.0	Nozzle, 3.0 25° Green	1	46	9.802-810.0	Washer, 5/8" Flat	2
	8.712-335.0	Nozzle, 3.0 40° White	1	47	9.802-958.0	Key, 0.185 Sqr x 1.75" (2400, 2700 PSI Models)	1
	<b>8.904-154.0</b>	<b>Nozzle Kit 3.5 (3000, 4000 PSI)</b>	1		9.802-959.0	Key, 0.247 SQR X 2.125" (3000, 3500, 4000 PSI Models)	1
	8.712-337.0	Nozzle, 3.5 0° Red	1	48	9.800-049.0	Label, Manufacturer's Cleaning Solution	1
	8.712-338.0	Nozzle, 3.5 25° Green	1	49	9.802-776.0	Nut, 5/16" ESNA, NC (2400, 2700 PSI Models)	4
	8.712-339.0	Nozzle, 3.5 40° White	1		9.197-003.0	Nut, 3/8" ESNA, NC (3000, 3500, 4000 PSI Models)	4
	<b>8.904-156.0</b>	<b>Nozzle Kit 4.0 (3500 PSI)</b>	1				
	8.712-345.0	Nozzle, 4.0 0° Red	1				
	8.712-346.0	Nozzle, 4.0 15° Yellow	1				
	8.712-347.0	Nozzle, 4.0 25° Green	1				
	8.712-348.0	Nozzle, 4.0 40° White	1				
	8.712-398.0	Nozzle, Compl, QCEM-6540, Brass (All Models)	1				
19	9.803-097.0	Axle, 5/8" x 20.125" Long	1				

## EXPLODED VIEW PARTS LIST (CONT.)

ITEM	PART NO.	DESCRIPTION	QTY
50	8.718-980.0	Washer, 5/16" Flat (2400, 2700 PSI Models)	8
	9.802-807.0	Washer, 3/8" Flat (3000, 3500, 4000 PSI Models)	12
51	8.751-096.0	Label, Regulation 4442.6	1
52	8.706-207.0	Elbow, 3/8", Str 90 Deg, Steel (4000 PSI Models)	1
53	8.706-940.0	Hose Barb 1/4" x 1/8" Npt Male (4000 PSI Models)	1
54	9.802-170.0	Coupler, 3/8" Plug, Female Steel/Zinc	1

## SPECIFICATIONS

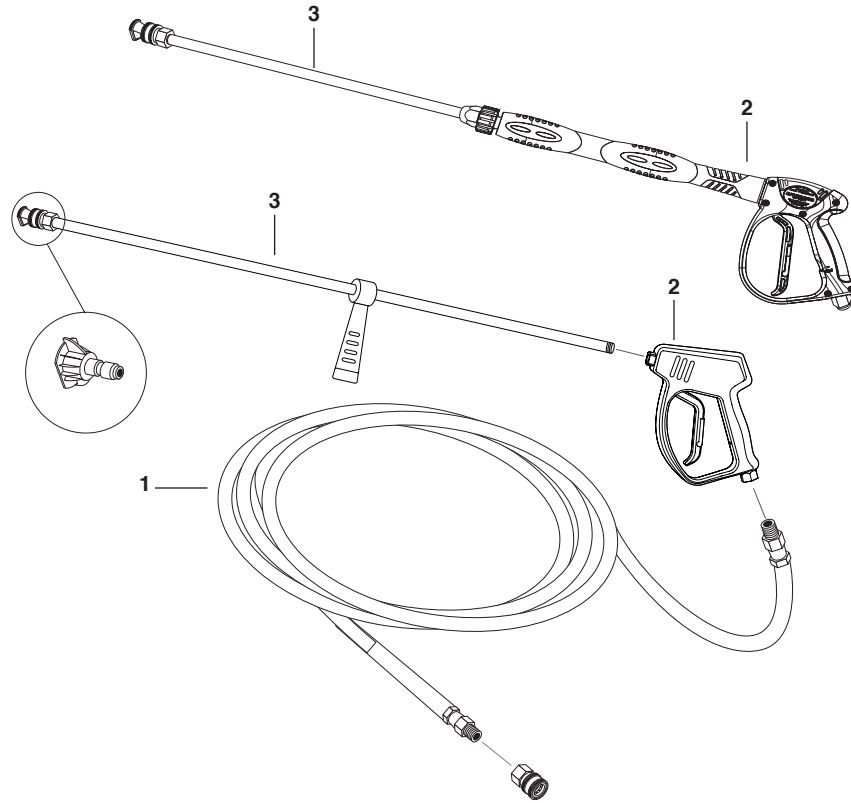
Machine Model	GPM	Pressure (PSI)	Nozzle Size	Hose Part #	Pump Model	Pump Part #	Unloader Part #	Engine	Engine Part #
HD 2.3/24 P	2.3	2400	3.0	8.925-130.0	KP2535G	8.923-785.0	8.754-696.0	GC160 (163cc)	9.802-316.0
HD 2.5/27 P	2.5	2700	3.0	8.925-130.0	KP2535G	8.923-785.0	8.754-696.0	GX200 (196cc)	9.802-317.0
HD 3.0/30 P	3.0	3000	3.5	8.925-130.0	KP3035G1	8.923-787.0	9.754-696.0	GX270 (270cc)	8.750-680.0
HD 3.8/35 P	3.8	3500	4.0	8.925-132.0	KS4040GR.3	8.751-195.0	9.175-018.0	GX390 (390cc)	8.750-580.0
HD 3.5/40 P	3.5	4000	3.5	8.925-130.0	KS3540GR.3	8.751-194.0	9.803-900.0	GX390 (390cc)	8.750-580.0

Machine Model	GPM	Pressure (PSI)	Nozzle Size	Hose Part#	Pump Model	Pump Part #	Unloader Part #	Engine	Engine Part #
PC3-24324	2.3	2400	3.0	8.925-130.0	LP2535G	8.923-757.0	8.754-696.0	GX160 (163cc)	9.802-316.0
PC3-27324	2.5	2700	3.0	8.925-130.0	LP2535G	8.923-757.0	8.754-696.0	GX200 (196cc)	9.802-317.0
PC3-30124	3.0	3000	3.5	8.739-380.0	LP3035G1	8.923-759.0	8.754-696.0	EX27 (265cc)	8.713-483.0
PC4-35324	3.8	3500	4.0	8.925-132.0	LS4040GR.3	8.751-177.0	9.175-018.0	GX390 (390cc)	8.750-580.0
PC4-40324	3.5	4000	3.5	8.925-130.0	LS3540GR.3	8.751-176.0	9.803-900.0	GX390 (390cc)	8.750-580.0

Machine Model	GPM	Pressure (PSI)	Nozzle Size	Hose Part #	Pump Model	Pump Part #	Unloader Part #	Engine	Engine Part #
DB-232439	2.3	2400	3.0	8.925-130.0	HP2535G	8.923-771.0	8.754-696.0	GC160 (163cc)	9.802-316.0
DB-252739	2.5	2700	3.0	8.925-130.0	HP2535G	8.923-771.0	8.754-696.0	GX200 (196cc)	9.802-317.0
DB-303039	3.0	3000	3.5	8.925-130.0	HP3035G1	8.923-773.0	8.754-696.0	GX270 (270cc)	8.750-680.0
DB-383539	3.8	3500	4.0	8.925-132.0	HS4040GR.3	8.751-184.0	9.175-018.0	GX390 (390cc)	8.750-580.0
DB-354039	3.5	4000	3.5	8.925-130.0	HS3540GR.3	8.751-183.0	9.803-900.0	GX390 (390cc)	8.750-580.0

Machine Model	GPM	Pressure (PSI)	Nozzle Size	Hose Part #	Pump Model	Pump Part #	Unloader Part #	Engine	Engine Part #
DG-232437	2.3	2400	3.0	8.925-130.0	SP2535G	8.923-799.0	8.754-696.0	GC160 (163)	9.802-316.0
DG-252737	2.5	2700	3.0	8.925-130.0	SP2535G	8.923-799.0	8.754-696.0	GX200 (196)	9.802-317.0
DG-303037	3.0	3000	3.5	8.925-130.0	SP3035G1	8.923-801.0	8.754-696.0	GX270 (270)	8.750-680.0
DG-383537	3.8	3500	4.0	8.925-132.0	KS4040GR.3	8.751-195.0	9.175-018.0	GX390 (390)	8.750-580.0
DG-354037	3.5	4000	3.5	8.925-130.0	SS3540GR.3	8.921-766.0	9.803-900.0	GX390 (390)	8.750-580.0

## HOSE & SPRAY GUN EXPLODED VIEW



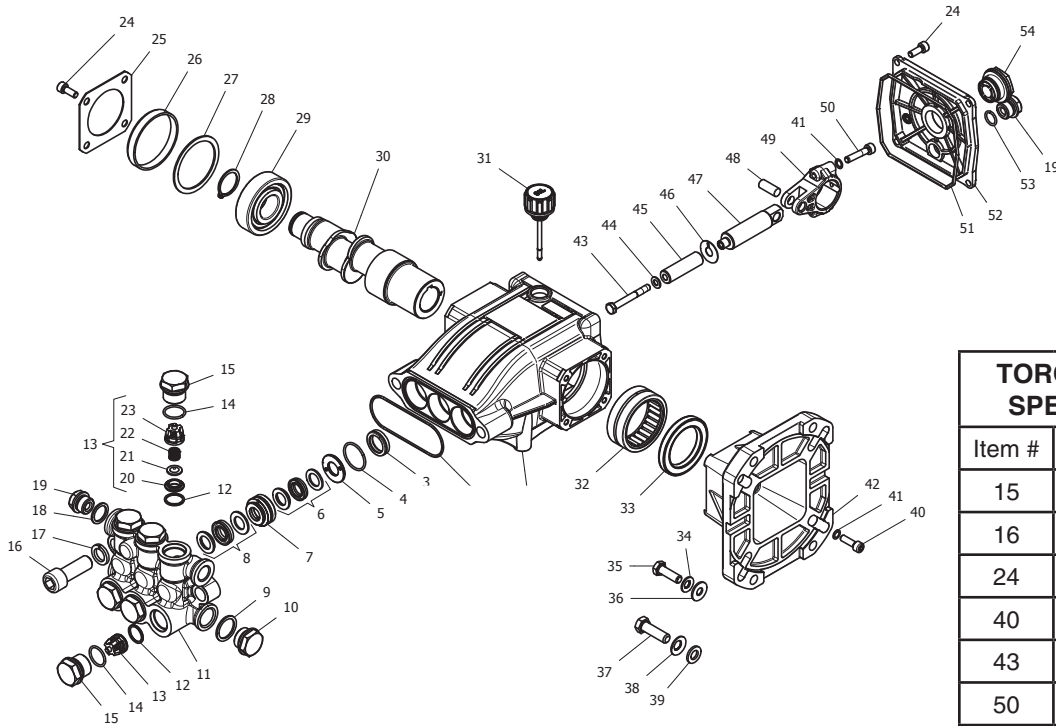
## HOSE & SPRAY GUN EXPLODED VIEW PARTS LIST

ITEM	PART NO.	DESCRIPTION	QTY
1		Hose High Pressure, See Specifications page 6	1
2	8.754-769.0	MV925 GUN (HD & DG, Except 4000 PSI Models)	1
	9.802-223.0	Gun, Sk2, 3/8" Inlet, Lance 22mm, Coupler (PC Models, Except 4000 PSI Models)	1
	8.751-269.0	AL12 Eagle3 Trigger Gun (DB , Except 4000 PSI Models)	1
	8.750-247.0	Gun, M407 (All 4000 PSI Models Only)	1
3	9.802-219.0	Wand Assy, Side Grip w/1/4" Coupler (All HD & DG Models, Except 4000 PSI models)	1
	9.802-220.0	Wand, 18" M22 x 1/4" QC (PC3, PC4 & DB Models, Except 4000 PSI Models)	1
	8.783-040.0	Wand, 44" Zinc Plated, Handle & Coupler (All 4000 PSI Models)	1

▲ Not shown

## LP3035G1 PUMP EXPLODED VIEW

8.923-759.0 LP3035G1  
 8.923-773.0 HP3035G1  
 8.923-787.0 KP3035G1  
 8.923-801.0 SP3035G1



TORQUE SPECS	
Item #	Ft.-lbs
15	65
16	55
24	8
40	10
43	10
50	10

### LP3035G1 PUMP EXPLODED VIEW PARTS LIST

ITEM	PART NO.	DESCRIPTION	QTY	ITEM	PART NO.	DESCRIPTION	QTY
1	8.754-841.0	Crankcase	1	19	8.707-262.0	Plug, Brass G3/8	1
2	8.754-846.0	O-ring Ø1.78 X 72.75	1	20*	See Kits Below	Valve Seat	6
3*	See Kits Below	Plunger Oil Seal	3	21*	See Kits Below	Valve Plate	6
4*	See Kits Below	O-ring Ø1.78 X 26.7	3	22*	See Kits Below	Valve Spring	6
5*	See Kits Below	Washer, Pressure Ring 14 mm	3	23*	See Kits Below	Valve Cage	6
6*	See Kits Below	U-Seal, 14 mm	3	24	9.802-939.0	Screw, M6 X 16	8
7*	See Kits Below	Pressure Ring, 14 mm	3	25	8.717-137.0	Bearing Cover	2
8*	See Kits Below	U-Seal, 14 mm	3	26	9.803-954.0	Bearing Seal	1
9	9.803-199.0	Washer, Copper G1/2	1	27	8.754-843.0	Seal Spacer, Crankshaft	1
10	9.802-926.0	Plug, Brass G1/2	1	28	9.802-914.0	Snap Ring, 25 mm	1
11	8.754-853.0	Manifold	1	29	9.803-955.0	Bearing, Ball	1
12*	8.717-233.0	O-ring Ø1.78 X 15.6	6	30	8.754-828.0	Shaft, 1" Hollow 3035G1	1
13*	See Kits Below	Valve Assembly	6	31	8.754-219.0	Oil Dipstick	1
14*	9.803-948.0	O-ring Ø1.78 X 18.77	6	32	8.754-840.0	Bearing Needle	1
15	9.803-949.0	Valve Plug	6	33	8.754-826.0	Seal, Crankshaft	1
16	8.754-854.0	Bolt, Manifold M14 x 40	2	34	9.802-889.0	Washer	4
17	8.754-850.0	Washer, Lock	2	35	9.803-243.0	Screw	4
18	9.803-198.0	Washer, Cooper G3/8	1	36	9.803-215.0	Washer 6mm	10

## LP3035G1 PUMP EXPLODED VIEW

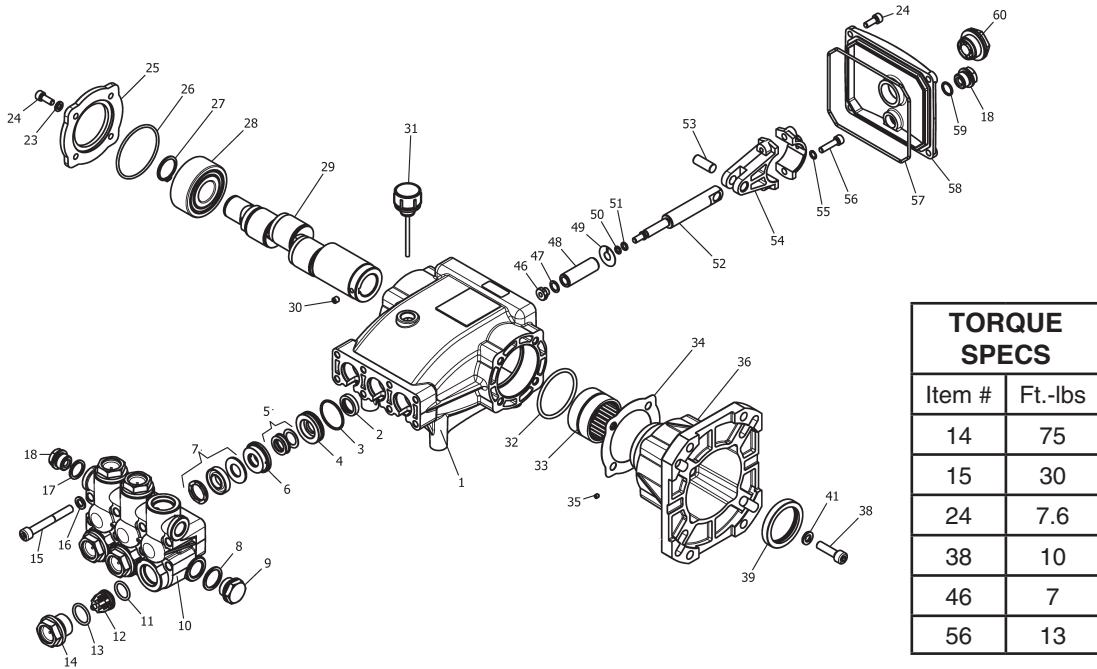
ITEM	PART NO.	DESCRIPTION	QTY
37	9.803-244.0	Screw	4
38	89.803-217.0	Washer	4
39	9.803-216.0	Washer	4
40	8.752-824.0	Screw, M6 x 20	4
41	9.803-218.0	Washer, 6 mm	10
42	8.754-864.0	Flange, Engine	1
43*	8.754-855.0	Bolt, Plunger	3
44*	8.754-092.0	Spacer, Copper	3
45*	8.754-849.0	Plunger, 14 mm	3
46*	9.803-962.0	Spacer, Copper	3
47	8.754-827.0	Plunger Rod	3
48	9.803-965.0	Connecting Rod Pin	3
49	9.803-966.0	Connecting Rod	3
50	8.933-020.0	Screw, Connecting Rod	6
51	8.754-847.0	O-ring Ø2.62 X 111.62	1
52	8.754-842.0	Cover, Crankcase	1
53	9.803-906.0	O-ring Ø1.78 X 14	1
54	9.803-202.0	Sight Glass, G3/4	1

\* Available in kit (See below)

REPAIR KIT NUMBER	8.754-860.0	8.754-861.0	8.754-862.0	8.754-859.0	9.803-937.0
KIT DESCRIPTION	Plunger Seal 14 mm	Complete Seal Packing 14 mm	Plunger 14 mm	Complete Valve	Plunger Oil Seals
ITEM NUMBERS INCLUDED	4, 6, 8	4, 5, 6, 7, 8,	43, 44, 45, 46	12, 13, 14,	3
NUMBER OF CYLINDERS KIT WILL SERVICE	3	1	1	6	3

## S.3 PUMP EXPLODED VIEW

- |                        |                         |
|------------------------|-------------------------|
| 8.751-195.0 KS4040GR.3 | 8.751-194.0 KS3540GR.3  |
| 8.751-177.0 LS4040GR.3 | 8.751-176.0 LS3540 GR.3 |
| 8.751-184.0 HS4040GR.3 | 8.751-183.0 HS3540GR.3  |
|                        | 8.921-766.0 SS3540GR.3  |



TORQUE SPECS	
Item #	Ft.-lbs
14	75
15	30
24	7.6
38	10
46	7
56	13

## S.3 PUMP EXPLODED VIEW PARTS LIST

ITEM	PART NO.	DESCRIPTION	QTY	ITEM	PART NO.	DESCRIPTION	QTY
1	8.751-217.0	Crankcase	1	26	8.717-225.0	O-Ring Ø 2.62 x61.6	1
2*	See Kit Below	Plunger Oil Seal	3	27	9.802-914.0	Snap Ring	1
3*	See Kit Below	O-Ring Ø1.78 x 31.47	3	28	9.803-168.0	Double Row Ball Bearing	1
4*	See Kit Below	Pressure Ring	3	29	9.803-151.0	Crankshaft (3540G.3)	1
5*	See Kit Below	U-Seal, 15mm	3		9.803-152.0	Crankshaft (4040G.3)	1
6*	See Kit Below	Intermed. Ring 15mm	3	30	9.802-945.0	Set Screw	1
7*	See Kit Below	U-Seal, 15mm	3	31	9.802-921.0	Oil Dip Stick	1
8	9.803-199.0	Copper Washer 1/2"	1	32	9.804-581.0	O-Ring Ø 3.53 x 55.56	1
9	9.802-926.0	Brass Plug, 1/2"	1	33	9.803-161.0	Needle Roller Bearing	1
10	8.751-218.0	Manifold Housing	1	34	8.751-230.0	Gasket	1
11*	9.803-191.0	O-Ring Ø2.62 x 17.13	6	35	8.717-544.0	Screw, Set	1
12*	See Kit Below	Valve Assembly	6	36	9.803-183.0	Engine Flange	1
13*	9.803-193.0	O-Ring Ø2.62 x 20.29	6	38	9.803-240.0	Flange Screw	4
14	9.802-928.0	Valve Plug	6	39	9.803-142.0	Crankshaft Seal	1
15	9.802-938.0	Manifold Stud Bolt	8	41	9.803-221.0	Spring Washer	4
16	9.802-884.0	Washer	8	46*	See Kit Below	Plunger Nut, M6	3
17	9.803-198.0	Copper Washer 3/8"	1	47*	See Kit Below	Washer, Copper, 9.2 x 13.5	3
18	9.802-925.0	Brass Plug 3/8"	2	48*	See Kit Below	Plunger, 15mm	3
23	9.803-201.0	Washer, M6 x 16	4	49*	See Kit Below	Copper Spacer	3
24	9.802-939.0	Hexagonal Screw	9				
25	9.803-184.0	Closed Bearing Housing	1				

## S.3 PUMP EXPLODED VIEW PARTS LIST (CONT.)

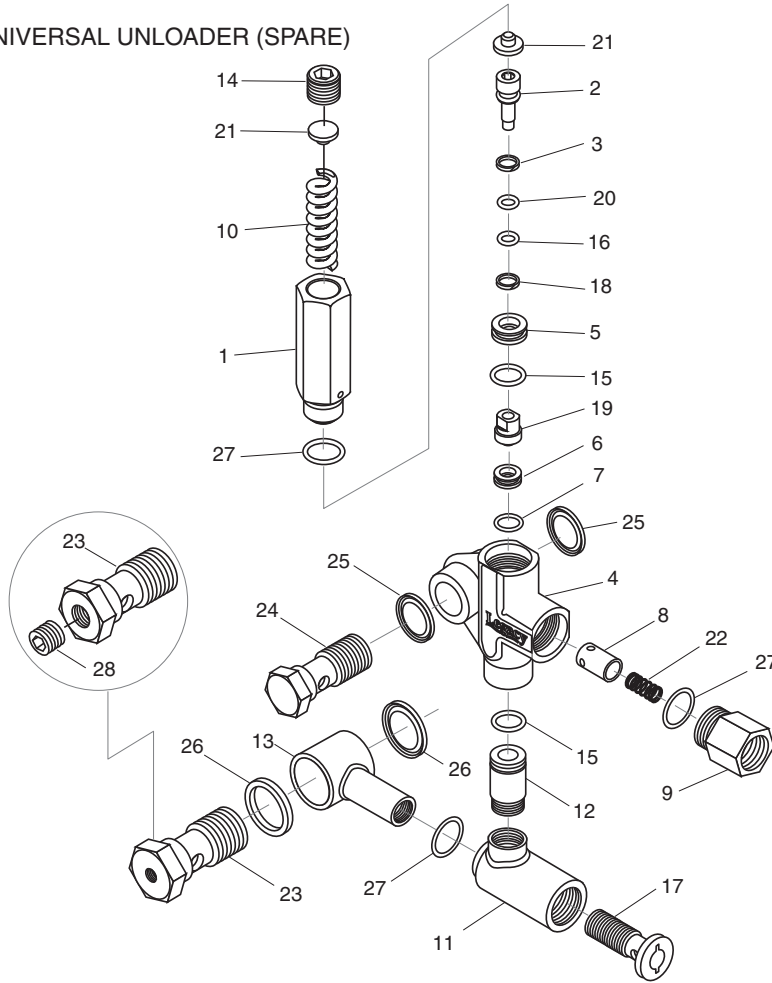
ITEM	PART NO.	DESCRIPTION	QTY
50*	See Kit Below	O-Ring Ø1.78x5.28	3
51*	See Kit Below	Teflon Ring	3
52	8.751-225.0	Plunger Rod	3
53	8.751-228.0	Connecting Rod Pin	3
54	9.803-158.0	Connecting Rod	3
55	9.803-218.0	Spring Washer	6
56	9.803-238.0	Connecting Rod Screw	6
57	8.933-016.0	O-Ring 2.62 x 126.67	1
58	8.751-229.0	Crankcase Cover	1
59	9.803-197.0	O-Ring, Ø 1.78 x 14	1
60	9.803-202.0	Sight Glass, G3/4	1

\* Part available in kit (See below)

REPAIR KIT NUMBER	8.725-358.0	8.725-359.0	8.933-023.0	9.802-603.0	9.802-609.0
KIT DESCRIPTION	Plunger U-Seal 15mm	Complete U-Seal Packing 15mm	Plunger 15mm	Complete Valve	Plunger Oil Seals
ITEM NUMBERS INCLUDED	3, 5, 7	3, 4, 5, 6, 7	46, 47, 48, 49, 50, 51	11, 12, 13	2
NUMBER OF CYLINDERS KIT WILL SERVICE	3	1	1	6	3

## UU1 UNLOADER EXPLODED VIEW

9.175-018.0  
UU1 3500PSI, UNIVERSAL UNLOADER (SPARE)

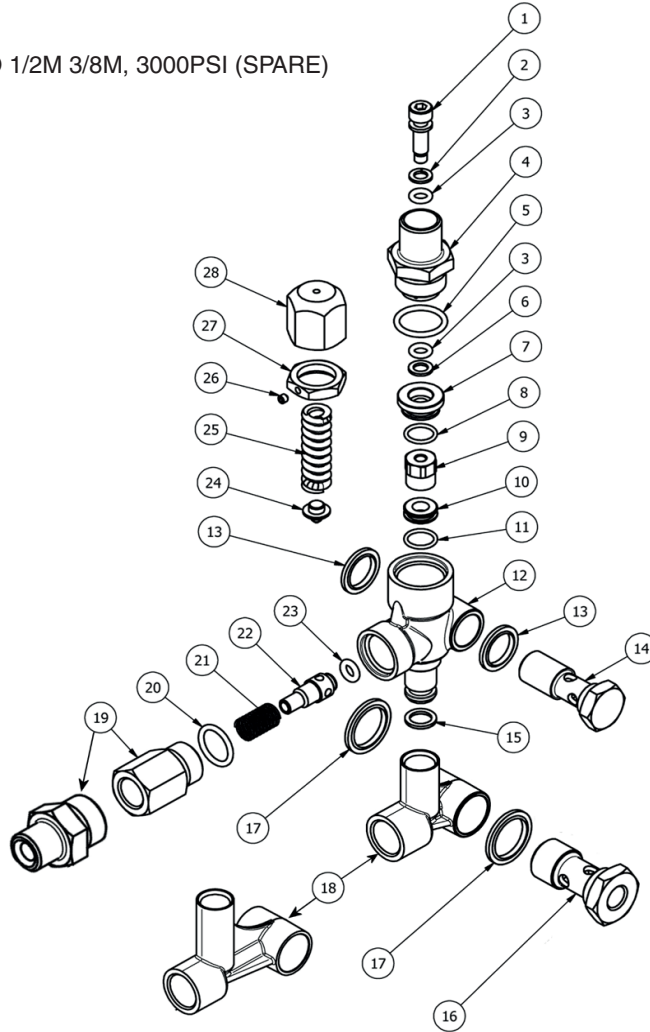


### UU1 UNLOADER EXPLODED VIEW PARTS LIST

ITEM	PART #	DESCRIPTION	KIT	QTY	ITEM	PART #	DESCRIPTION	KIT	QTY
1	8.751-394.0	Piston Housing	D	1	17	9.149-006.0	Sliding Connector Guide		1
2		Piston	C, D	1	18		O-Ring Backup 6 x 1.45 x 1.68	A, D	1
3		Piston O-Ring Back Up	A, D	1	19		Ball Housing Assy	C, D	1
4	8.749-796.0	Main Block		1	20		O-Ring 6.75 x 1.78 BN80	A, D	1
5	9.152-372.0	Piston Ring	D	1	21		Spring Seat	C, D	2
6		Ball Seat	C, D	1	22		Plunger Spring	B	1
7		O-Ring 10.5 ID x 1.5 CS	A,C,D	1	23	8.917-699.0	Banjo Bolt 1/2" Short		1
8		Plunger	B	1		8.917-700.0	Banjo Bolt 1/2"-1/4" NPT Short		1
9	9.152-016.0	Plunger Housing		1	24	8.917-698.0	Banjo Bolt 3/8" Short		1
10		Bypass Spring	C, D	1	25	9.802-893.0	Seal Washer 3/8"		2
11	9.149-001.0	Low Pressure Port		1	26	9.803-921.0	Seal Washer 1/2"		2
12	9.152-017.0	Sliding Connector, 30mm		1		9.802-893.0	Seal Washer 3/8"		2
	8.762-005.0	Sliding Connector, 40mm, Long		1	27		O-Ring 15 ID x 2CS	A,B,D	3
13	9.149-002.0	Sliding Connector H 1/2"		1	28	8.706-865.0	Plug, 1/4" Countersunk		1
	9.149-005.0	Sliding Connector H 3/8"		1	<b>Kit A</b>	9.104-038.0	O-Ring Repair Kit		
14	9.196-011.0	Plug 5/8 -18 UNF	D	1	<b>Kit B</b>	9.104-039.0	Outlet Kit		
15		O-Ring 12 ID x 2 CS	A, D	2	<b>Kit C</b>	9.104-040.0	Stem Basic Kit		
16		O-Ring 6 ID X 2 CS	A, D	1	<b>Kit D</b>	8.920-045.0	UU1 Complete Stem Kit		

## VBT UNLOADER EXPLODED VIEW

8.754-696.0  
UNLOADER, VBT BANJO 1/2M 3/8M, 3000PSI (SPARE)



### VBT UNLOADER EXPLODED VIEW PARTS LIST

ITEM	PART #	DESCRIPTION	KIT	QTY	ITEM	PART #	DESCRIPTION	KIT	QTY
1*	8.754-929.0	Stem	C	1	17	9.803-914.0	Seal Washer 1/2)		1
2*	9.803-912.0	Backup Ring	A	1	18	8.754-937.0	Bypass Manifold		1
3*	8.754-930.0	O-ring, Ø2.62 x 6.02	A	2	19	9.802-892.0	Outlet Connector 3/8 MPT		1
4	8.730-882.0	Stem Connector		1	20*	9.803-191.0	O-ring, Ø2.62 X 17.13	A,B	1
5*	9.803-193.0	O-ring, Ø2.62 x 20.24	A	1	21*	8.933-017.0	Poppet Spring	B	1
6*	9.803-908.0	Backup Ring	A	1	22*	8.754-939.0	Poppet	B	1
7	9.803-907.0	Guide Bushing		1	23*	8.754-940.0	O-ring, Ø3 x 6	A,B	1
8*	9.803-906.0	O-ring, Ø1.78 x 14	A	1	24*	8.754-961.0	Plate	C	1
9*	8.754-959.0	Ball SubAssembly	C	1	25*	8.933-018.0	Spring 1500-4000 PSI	C	1
10*	8.754-933.0	Seat	C	1	26	8.933-021.0	Set Screw		1
11*	8.754-934.0	O-ring, Ø1.78 x 12.42	A,C	1	27	9.803-925.0	Nut		1
12	8.754-935.0	Valve Body		1	28	9.803-926.0	Knob, Brass, Unloader		1
13	9.802-893.0	Seal Washer 3/8		1					
14	9.803-919.0	Banjo Bolt 3/8		1					
15*	8.754-936.0	O-ring, Ø2.62 x 10.78	A	1					
16	9.803-920.0	Banjo Bolt, 1/2, w/1/4" Port		1					

\* Included in Kit

**Kit A** 8.754-941.0 O-Ring Repair Kit  
**Kit B** 8.754-942.0 Outlet Repair Kit  
**Kit C** 8.754-957.0 Stem Repair Kit