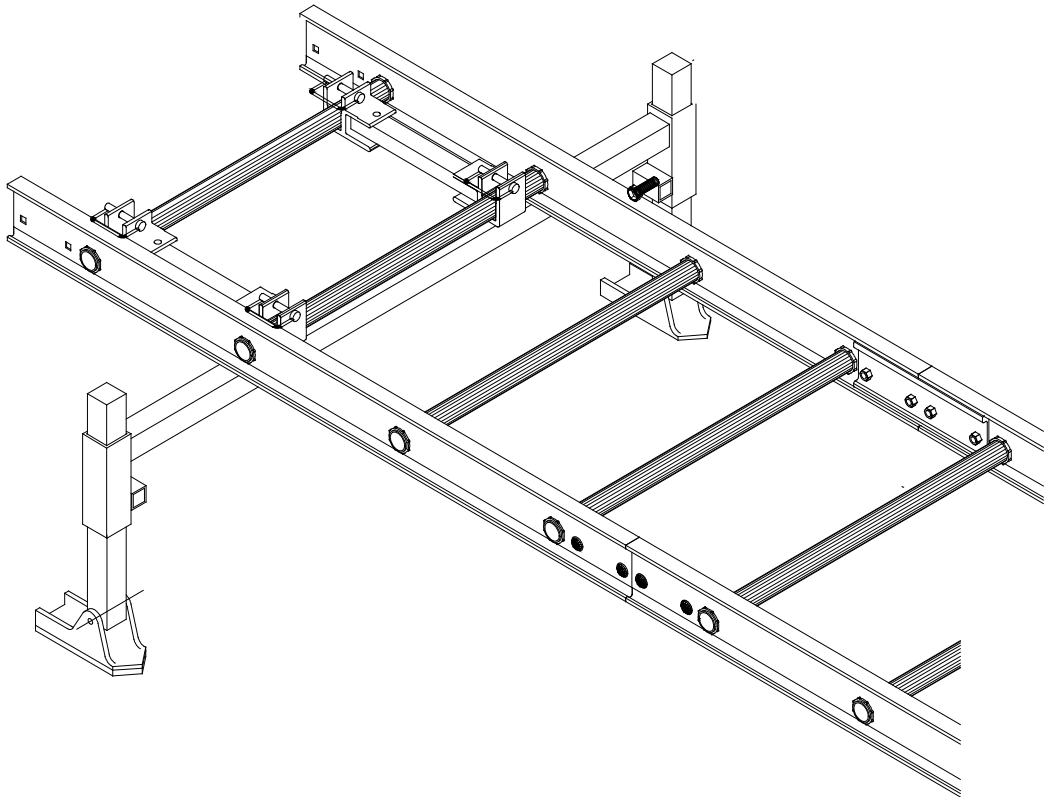




PPH 400 ROOF SUPPORT INSTRUCTIONS



REIMANN & GEORGER CORPORATION
HOISTING PRODUCTS
P/N 6102098

BUFFALO, NY
08/06/13

3 INSTALLATION AND SETUP

3.1 PRIOR TO SETUP

1. Ensure all structural members of the hoist are free of defects and damage that may affect the integrity of the unit.
2. Ensure the hoisting area is secured from all unauthorized personnel.



WARNING:

ENSURE THAT OSHA COMPLIANT FALL PROTECTION IS IN PLACE.



WARNING:

PRIOR TO SETTING UP THE HOIST THERE MUST BE A PLAN OF ACTION OUTLINING THE WORK TO BE ACCOMPLISHED, INDIVIDUAL RESPONSIBILITIES, PERSONAL PROTECTIVE EQUIPMENT, AND THE METHOD OF COMMUNICATION. FAILURE TO DO THIS CAN RESULT IN DEATH, SERIOUS PERSONAL INJURY OR EQUIPMENT FAILURE.



WARNING:

ENSURE THAT ALL BOLTS AND NUTS ARE TIGHTENED SECURELY TO PREVENT EQUIPMENT DAMAGE AND/OR SERIOUS INJURY.

3.2 ASSEMBLING THE PPH ROOF SUPPORT

1. Refer to Figure 3-1 and parts list.

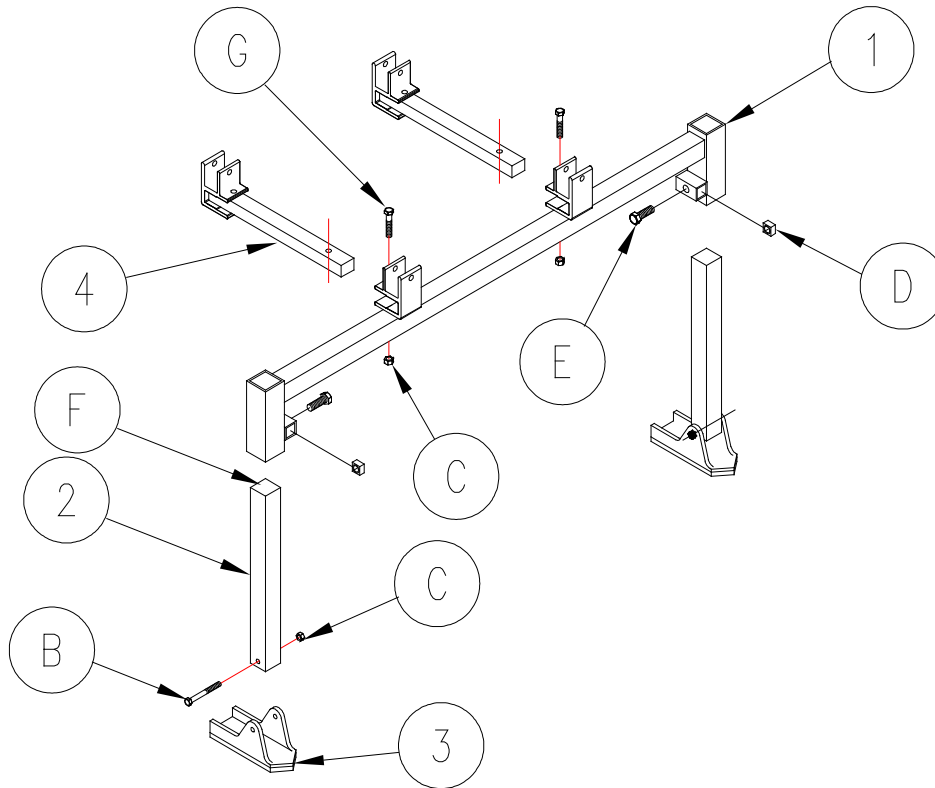
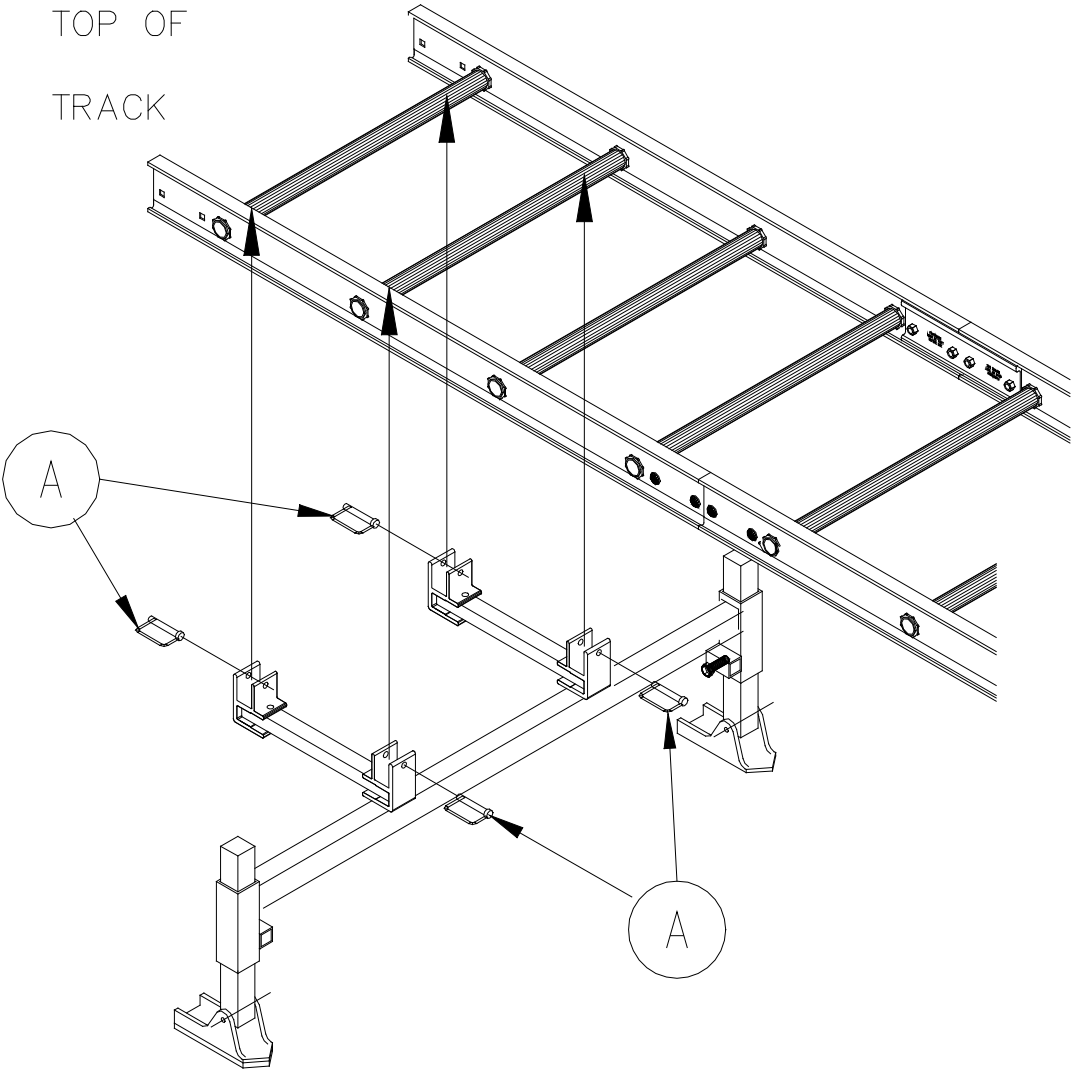


Figure 3-1.
PPH400 Track Roof Support

3.3 MOUNTING THE PPH ROOF SUPPORT

- 1. Refer to Figure 3-2.



**Figure 3-2.
Roof Support Assembly to Upper Track End**

4 PARTS LISTS

Each item number on the following parts lists can be matched with the item number shown on the corresponding assembly drawing as indicated below.

PPH400 ROOF SUPPORT Carton of Parts; Refer to Figure 4-1.

Item Number	Part Number	Quantity	1.1.1.1 Description
1	0410336	1	PPH TRACK SUPPORT BRACKET
2	0410415	2	PPH ROOF SUPPORT LEG 15"
3	0420402	2	PRO TRACK SWIVEL SHOE
4	0410333	2	PPH TRACK CROSSTIE SUPPORT BRACKET
	0410227	1	PPH ROOF TRACK SUPPORT BAG OF BOLTS Consisting of;
A	5800142	4	CLEVIS PIN, 5/16 SQUARED SNAP
B	5806255	2	HHCS 3/8-16 X 3 CZP
C	5806141	4	NUT HEX NYLOCK 3/8-16 CZP
D	5806559	2	NUT SQUARE 1/2-13 CZP
E	5806282	2	HHCS 1/2-13 X 1-1/2 GR5 CZP
F	6403799	2	PLASTIC CAP 1-1/2 SQ
G	5806251	2	HHCS 3/8-16 X 2 CZP

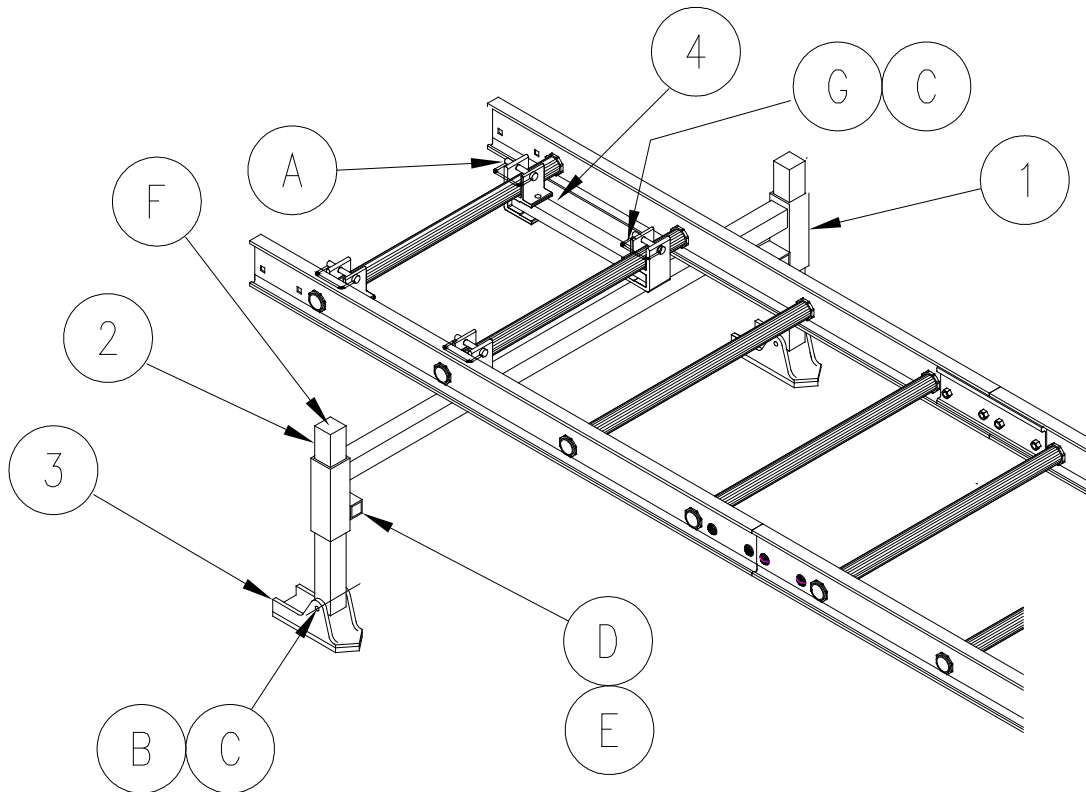


Figure 4-1
PPH400 Roof Support Assembly