



# HOMEOWNER'S CARE AND OPERATION INSTRUCTIONS



## DIRECT VENT DT-400 AND DR-400

33" DIRECT-VENT GAS FIREPLACE HEATERS  
P/N 725,023M REV. J 11/2004

### MODELS

<i>Millivolt Models</i>	<i>Electronic Models</i>
DT-400CMN	DT-400CEN
DT-400CMP	DT-400CEP
DR-400CMN	DR-400CEN
DR-400CMP	DR-400CEP

RETAIN THESE INSTRUCTIONS  
FOR FUTURE REFERENCE



OMNI-Test Laboratories, Inc.

OTL Report No. 116-F-17-4

**WARNING: IF THE INFORMATION IN THIS MANUAL IS NOT FOLLOWED EXACTLY, A FIRE OR EXPLOSION MAY RESULT CAUSING PROPERTY DAMAGE, PERSONAL INJURY OR LOSS OF LIFE.**

**FOR YOUR SAFETY:** Do not store or use gasoline or other flammable vapors or liquids in the vicinity of this or any other appliance.

**FOR YOUR SAFETY:** What to do if you smell gas:

- DO NOT light any appliance.
- DO NOT touch any electrical switches.
- DO NOT use any phone in your building.
- Immediately call your gas supplier from a neighbor's phone.

Follow your gas suppliers instructions.

- If your gas supplier cannot be reached, call the fire department.

Installation and service must be performed by a qualified installer, service agency or the gas supplier.

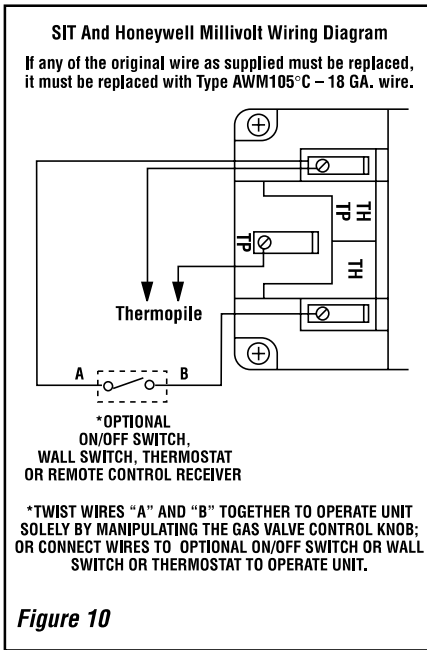
**AVERTISSEMENT: ASSUREZ-VOUS DE BIEN SUIVRE LES INSTRUCTIONS DONNÉ DANS CETTE NOTICE POUR RÉDUIRE AU MINIMUM LE RISQUE D'INCENDIE OU POUR ÉVITER TOUT DOMMAGE MATÉRIEL, TOUTE BLESSURE OU LA MORT.**

**POUR VOTRE SÉCURITÉ:** Ne pas entreposer ni utiliser d'essence ni d'autre vapeurs ou liquides inflammables dans le voisinage de cet appareil ou de tout autre appareil.

**POUR VOTRE SÉCURITÉ:** Que faire si vous sentez une odeur de gaz:

- Ne pas tenter d'allumer d'appareil.
- Ne touchez à aucun interrupteur. Ne pas vous servir des téléphones se trouvant dans le bâtiment où vous vous trouvez.
- Evacuez la pièce, le bâtiment ou la zone.
- Appelez immédiatement votre fournisseur de gaz depuis un voisin. Suivez les instructions du fournisseur.
- Si vous ne pouvez rejoindre le fournisseur de gaz, appelez le service des incendies.

L'installation et service doit être exécuté par un qualifié installateur, agence de service ou le fournisseur de gaz.



**WARRANTY**

Your gas appliance is covered by a limited twenty year warranty. You will find a copy of the warranty accompanying this manual. Please read the warranty to be familiar with its coverage.

Retain this manual. File it with your other documents for future reference.

**REPLACEMENT PARTS**

A complete parts list is found at the end of this manual. Use only parts supplied from the manufacturer.

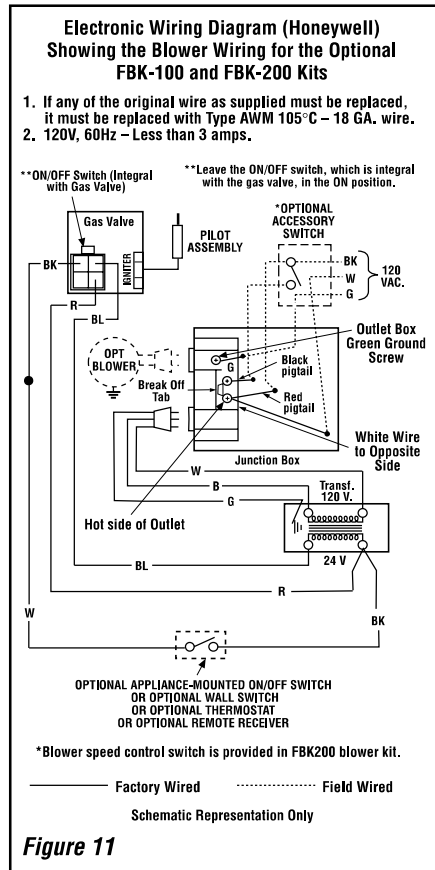
**PRODUCT REFERENCE INFORMATION**

We recommend that you record the following important information about your fireplace. Please contact your Lennox dealer for any questions or concerns. For the number of your nearest Lennox dealer, please call 1-800-9-LENNOX

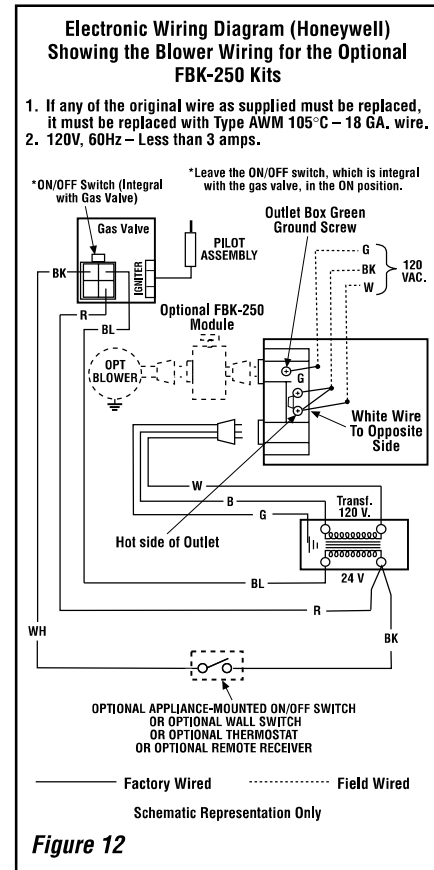
Your Fireplace's Model Number \_\_\_\_\_  
 Your Fireplace's Serial Number \_\_\_\_\_  
 The Date On Which Your Fireplace Was Installed \_\_\_\_\_  
 The Type of Gas Your Fireplace Uses \_\_\_\_\_  
 Your Dealer's Name \_\_\_\_\_

When ordering repair parts, always give the following information:

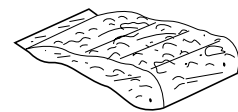
1. The model number of the appliance.
2. The serial number of the appliance.
3. The part number.
4. The description of the part.
5. The quantity required.
6. The installation date of the appliance.



Normally, all parts should be ordered through your Lennox dealer. Parts will be shipped at prevailing prices at time of order.



**ACCESSORY COMPONENTS**



Decorative Volcanic Stone	80L42	FDVS
Bag of Rockwool	88L53	FGE

**Decorative Volcanic Stone**

The decorative volcanic stone, Model FDVS, can be used to enhance the look of your appliance. Decorative volcanic stone is standard with this appliance. Order model FDVS for replacement of stone when needed. Spread the decorative volcanic stone evenly around the bottom of the firebox.

**Bag of Rockwool (Glowing Embers)**

The rockwool, Model FGE, can be used to enhance the look of your appliance. Rockwool is standard with this appliance. Order model FGE for replacement of rockwool when needed. Place the rockwool on the burner screen as described in the section in this manual entitled Glowing Ember Placement on **page 7**.

## ACCESSORY COMPONENTS CONTINUED



Remote Control System (Standard) H0249 RCL

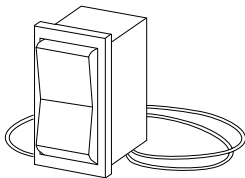
### Standard Remote Control System (Model RCL)

The Model RCL (Standard) Remote Control System, features a simplistic on/off control function for the fireplace. This model includes a hand-held transmitter, a remote receiver with wall-mount coverplate and all hardware required to install the unit. The remote receiver can be wall or hearth mounted.

The transmitter has ON and OFF functions that are activated by pressing either button on the face of the transmitter. When a button on the transmitter is pressed, a signal light illuminates briefly to verify that a signal has been sent.

The Model RCL is designed to operate with all millivolt ignition systems, as well as electronic ignition systems. It may be installed with use for either natural or propane gas appliances. The RCL offers ease of installation and allows you to execute on-off commands to the fireplace effortlessly with one simple motion.

The Model RCL comes complete with detailed operating instructions.



Rocker Switch Kit 80L41 FRS

### Optional on Unit Rocker Switch

An optional rocker switch kit can be installed directly on all DT-400 and DR-400 Series appliances to provide for On and Off operation in lieu of a wall switch. This kit is designed to install in the lower control compartment out of view and is perfect for use in high volume areas such as lobbies and model homes where limited access to the appliance On/Off switch is desirable. This kit can be retrofitted to previously installed appliances and may be temporarily installed in place of other switch circuitry.

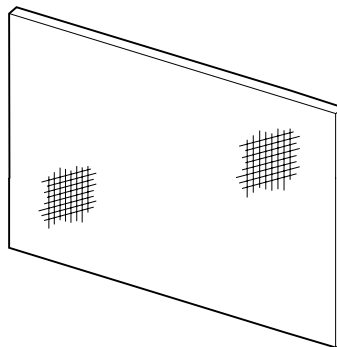


Remote Control System (Deluxe) H0251 RCL-T

### Deluxe Remote Control System (Model RCL-T)

The Model RCL-T (Deluxe) Remote Control System has all of the features of the standard system along with an added easy to read LCD screen which presents access to many enhancements, including; battery power level indicator, timer, mode of operation, thermostatic display including room temperature in either metric or English units, flame indicator and clock. Fully programmable, the Model RCL-T allows for virtual command over nearly all operational and temperature variables, using the hand held remote control transmitter.

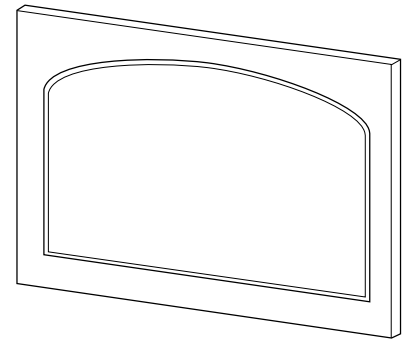
The Model RCL-T (Deluxe) remote control system is installed in the same manner as the standard system, may be operated with electronic and millivolt systems with either natural or propane gas. The RCL-T comes complete with detailed operating instructions.



Screen Panel Kit 99L55 SPK-4

### Screen Panel Kit

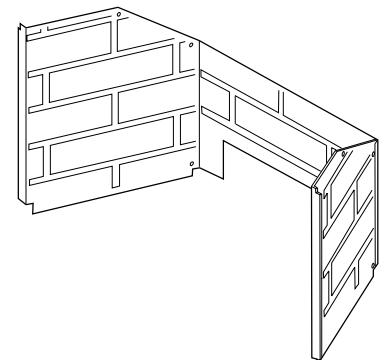
An optional screen panel can be installed on the DT-400 and DR-400 Series door. This screen panel is easy to install. This kit can be retrofitted to previously installed appliances. The screen panel kit can not be used in conjunction with either of the arch door kits or door frame kits.



Arch Door Kits  
 Brass Finish 99L56 ADK-4B  
 Brushed Stainless Finish 99L57 ADK-4BS

### Arch Door Kits

Arch door kits are available for the DT-400 and DR-400 Series. This kit is easy to install and does not require hardware to attach it to the standard door frame. This kit can be retrofitted to previously installed DT-400 and DR-400 Series appliances. The decorative arch kits can not be used in conjunction with the screen panel kit.

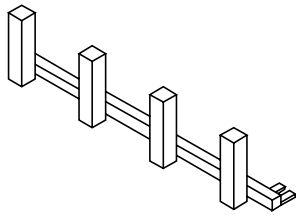


Brickade Liner Kits  
 Top Vent 99L53 BLK-4T  
 Rear Vent 99L54 BLK-4R

### Brickade Liner Kit

One of the most beautiful enhancements you can make to the DT-400 and DR-400 Series is the addition of brickade liners. The brickade liner kits include tan stamped sheetmetal panels for the rear and side walls of the firebox. The panels have brick-like features in relief. To install the panels, simply position them against the firebox walls and screw them in place. These kits can be retrofitted into previously installed appliances. Purchase the BLK-4T for top vented appliances and the BLK-4R for rear vented appliances.

## ACCESSORY COMPONENTS CONTINUED

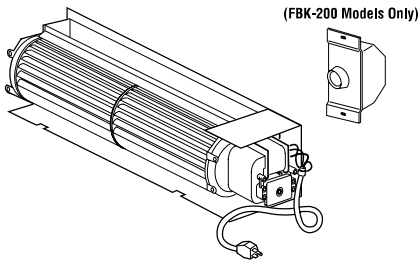


Square Log Rack 99L59 DLR-4

### Decorative Log Rack

The decorative log rack provides the look of a wrought iron log rack. The rack installs easily in front of the log set with two screws. This kit can be retrofitted to previously installed DT-400 and DR-400 units.

**Note:** Some discoloration of the grate can be expected with fireplace operation.



**Forced Air Blower Kits**  
 -Single Speed 80L84 FBK-100  
 -Variable Speed 80L85 FBK-200  
 -Unit Mountable 80L86 FBK-250

### Forced Air Kit

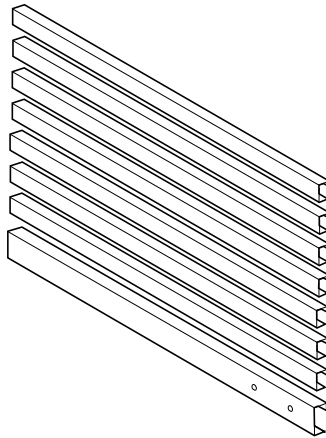
The FBK-100 blower provides for a constant velocity forced air circulation feature for your appliance. The FBK-200 assembly with variable speed wall switch provides a forced air circulation feature for your appliance. The FBK-250 comes complete with a unit mountable switch operating system.



Touch-Up Paint Kit (Black) 90L73 FTPK-B  
 Touch-Up Paint Kit (Tan) 98K67

### Touch-Up Paint Kit

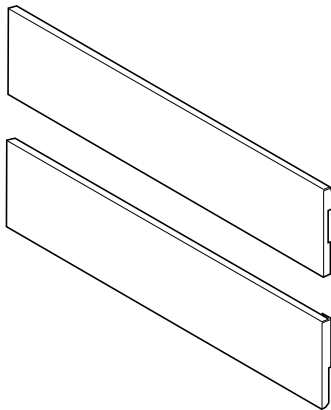
Repair of minor scratches and discoloration of the appliance black painted surfaces may be accomplished with the touch-up paint kit.



**Complete Louver Kits**  
 Brass Finish 99L60 LK-4B  
 Brushed Stainless Finish 99L61 LK-4BS

### Louvers Kits

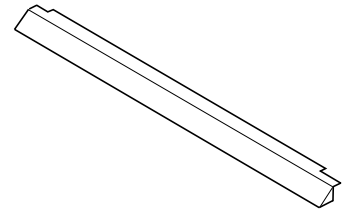
Decorative louvers are available for use with all DT-400 and DR-400 Series direct vent louvered-face appliances. These louvers are designed to replace the standard black louvers that are provided with the appliance. These louver kits include six (6) finished louvers. They can be retrofitted to previously installed appliances.



Radiant Panel Kit 99L58 CFPK-4

### Clean Face Panel Kits

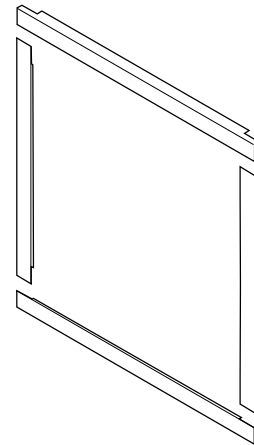
Clean face panel kits are available to convert the standard louvered appliances to clean face models more suited for finishing around the firebox opening with non-combustible materials such as tile.



Brass Finish Hood Kit 99L64 HK-4B  
 Brushed Stainless Finish Hood Kit 99L65 HK-4BS

### Hood Kits

Attractive hoods are available in two styles to be used on the DT-400 and DR-400 Series appliances. These hoods are designed to be fitted to the face of the appliance. In addition to providing an aesthetically pleasing appearance to your appliance installation, the hood reduces heat effects to decorative mantles and finish materials located above the fireplace opening. The hood kit replaces the standard hood that comes with these appliances and snaps into place. These kits can be retrofitted to previously installed appliances.



**Door Frame Kits - 4 piece (shown)**  
 Brass Finish 99L62 DFK-4B  
 Brushed Stainless Finish 99L63 DFK-4BS  
**Door Frame Kits - 2 piece**  
 Brass Finish 17M28 DTK-4B  
 Brushed Stainless Finish 17M29 DTK-BS

### Door Frame Kits

Decorative door frame kits are available for use with these appliances. The DFK (four-piece kit) is designed to attach directly to the front face of the appliance at its extreme edges; the DTK (two-piece kit) at the front face's extreme top and bottom edges. These kits provide a picture frame finish for the appliance. The door frame kit can be retrofitted onto previously installed appliances.

## REPLACEMENT PARTS LIST

No.	DESCRIPTION	Natural		Propane	
		Part No.	Qty.	Part No.	Qty.
	Gas Fireplace Assembly	-	-	-	-
1.	Hood	LB-91941FZ	1	LB-91941FZ	1
2.	Louver	LB-92400F	7	LB-92400F	7
3.	Louver, (Base)	LB-92402F	1	LB-92402F	1
4.	Enclosure, Glass Front (Complete)	LB-92534H	1	LB-92534H	1
5.	Nameplate (Brand)	56L9301	1	56L9301	1
6.	Latch	69L2101	2	69L2101	2
7.	Catch, Door, Magnetic	69L3101	1	69L3101	1
8.	Log Set (Complete)	67L3901	1	67L3901	1
9.	Burner Assembly	74L8201	1	74L8201	1
10.	Burner, Bracket	LB-92357	2	LB-92357	2
11.	Burner, Bracket	LB-92619	1	LB-92619	1
12.	Ember Screen	LB-92712B	1	LB-92712B	1
13.	Orifice, Main Burner	37L7001	1	99K7901	1
14.	Bag of Rockwool	88L53	1	88L53	1
15.	Flex Gas Line (Optional)	93L32	1	93L32	1
16.	Magnet	094326	1	094326	1

### GAS CONTROLS — SIT MILLIVOLT

No.	DESCRIPTION	Natural		Propane	
		Part No.	Qty.	Part No.	Qty.
20.	Gas Valve - SIT	43K0701	1	88J5301	1
21.	Piezo Igniter	10K8601	1	10K8601	1
22.	Pilot Assembly	69L1701	1	69L1801	1
23.	Pilot Generator	60J7901	1	60J7901	1
24.	Thermocouple	74L5701	1	74L5701	1
25.	Pilot Tube	74L5601	1	74L5601	1
26.	Electrode And Cable	74L5801	1	74L5801	1
27.	Pilot Shield	LB-92706	1	LB-92706	1

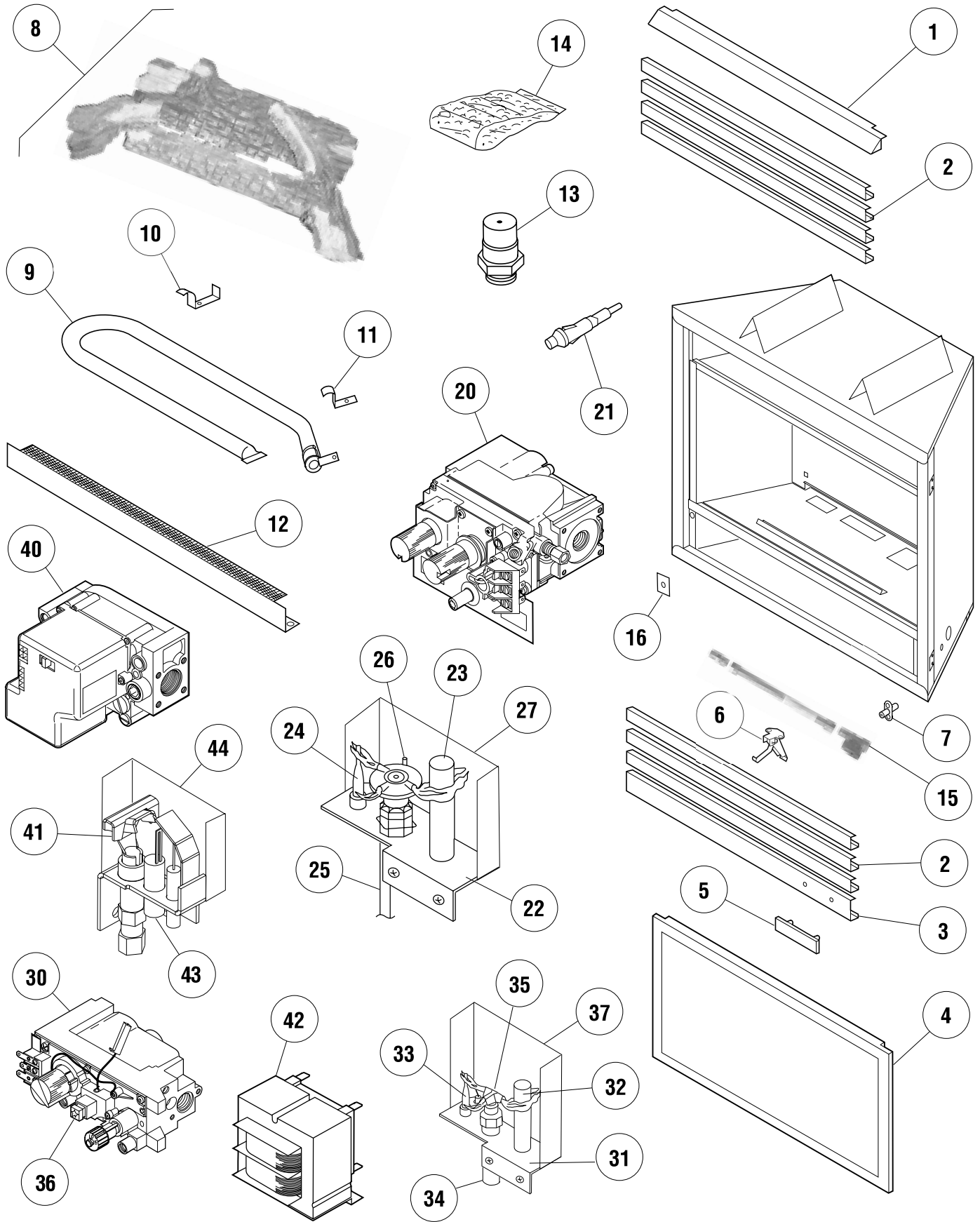
### GAS CONTROLS — HONEYWELL MILLIVOLT

No.	DESCRIPTION	Natural		Propane	
		Part No.	Qty.	Part No.	Qty.
30.	Gas Valve	82L8601	1	82L8701	1
31.	Pilot Assembly	67L7001	1	67L7001	1
32.	Pilot Generator	60J7901	1	60J7901	1
33.	Thermocouple	67L6701	1	67L6701	1
34.	Pilot Tube	67L6801	1	67L6801	1
35.	Electrode And Cable	67L8701	1	67L8701	1
36.	Piezo Igniter	24M8901	1	24M8901	1
37.	Pilot Shield	LB-92706	1	LB-92706	1

### GAS CONTROLS — ELECTRONIC

No.	DESCRIPTION	Natural		Propane	
		Part No.	Qty.	Part No.	Qty.
40.	Gas Valve - Honeywell	62L1801	1	62L1901	1
41.	Pilot Assembly	62L1401	1	62L1501	1
42.	Transformer	42J3201	1	42J3201	1
43.	Ignitor Assembly (Kit)	87L54	1	87L54	1
44.	Pilot Shield	H1596	1	H1596	1

# REPLACEMENT PARTS



NOTE: DIAGRAMS & ILLUSTRATIONS NOT TO SCALE.