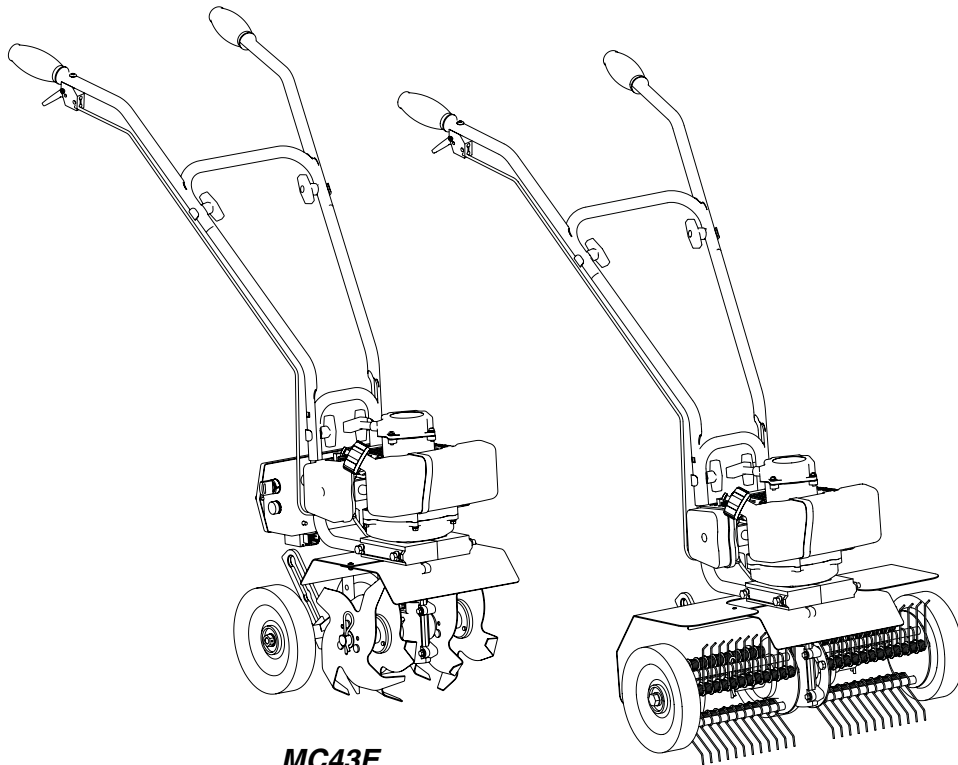


Earthquake[®]

OPERATOR'S MANUAL & PARTS EXPLOSIONS

MC43E/MC43 MINI CULTIVATOR MD43 MINI DETHATCHER



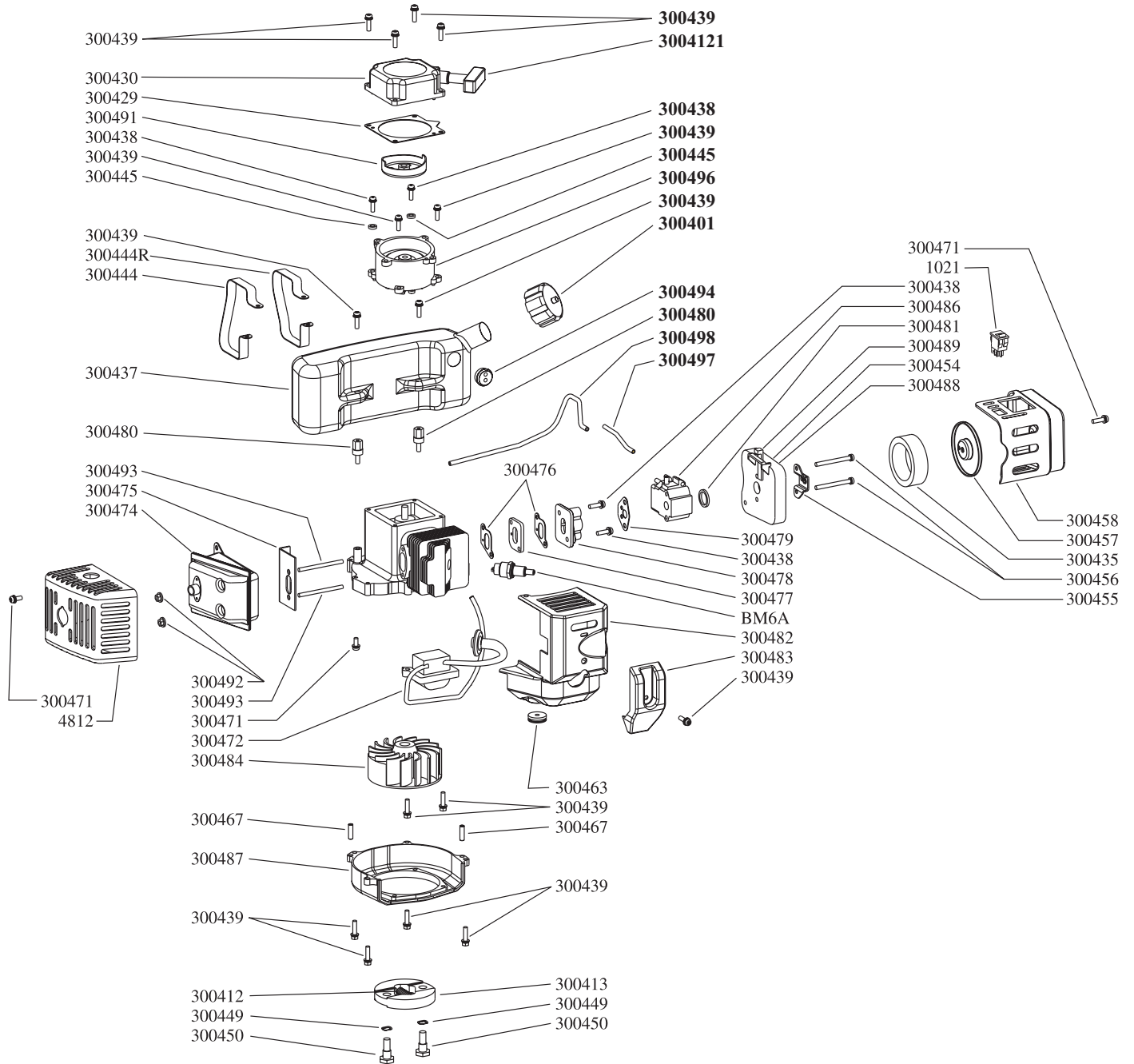
MC43E

MD43

OMMC43E/MC43

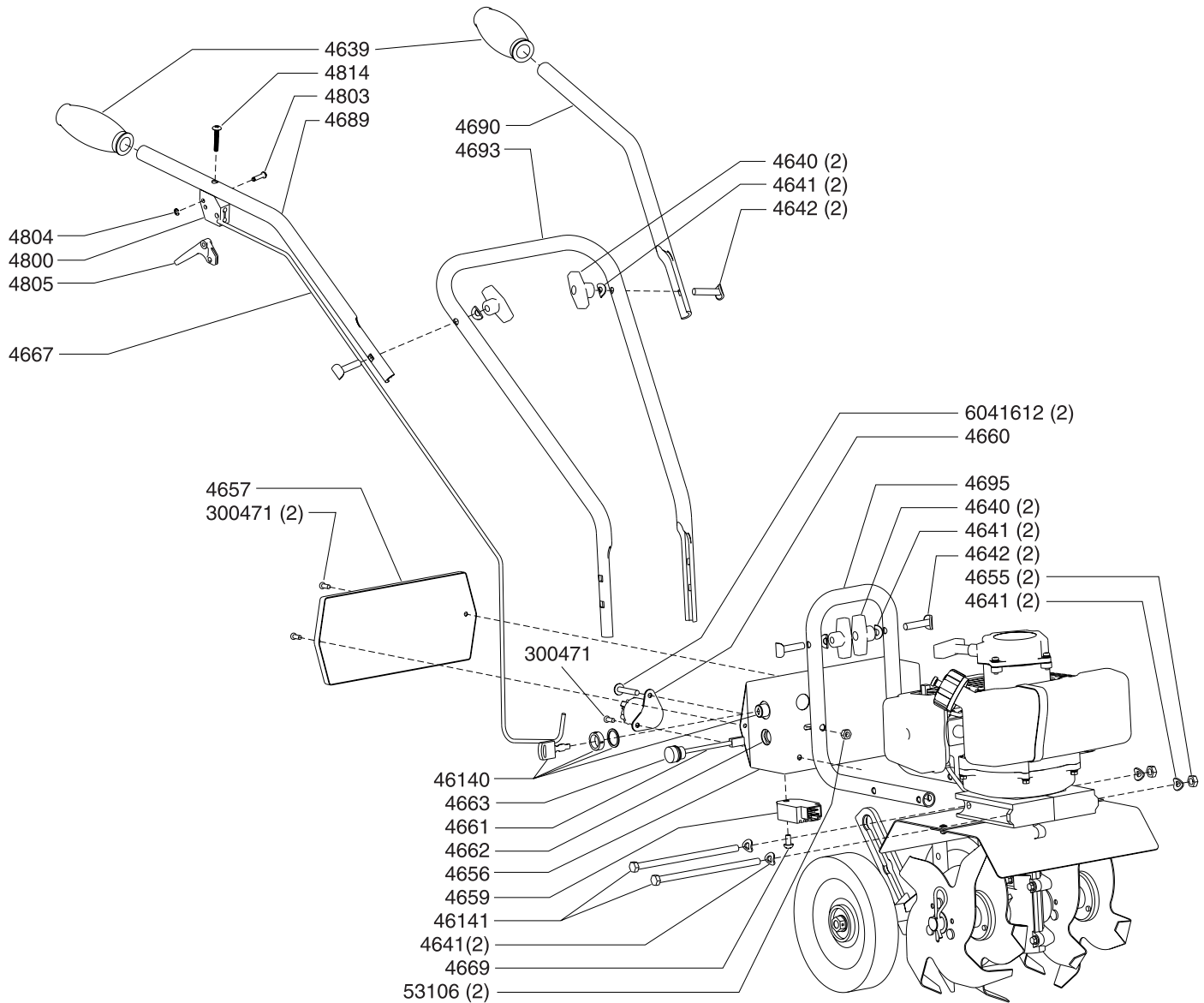
Rev. 12/5/06

© Copyright 2006 Ardisam, Inc.
All Rights Reserved. Printed in USA.

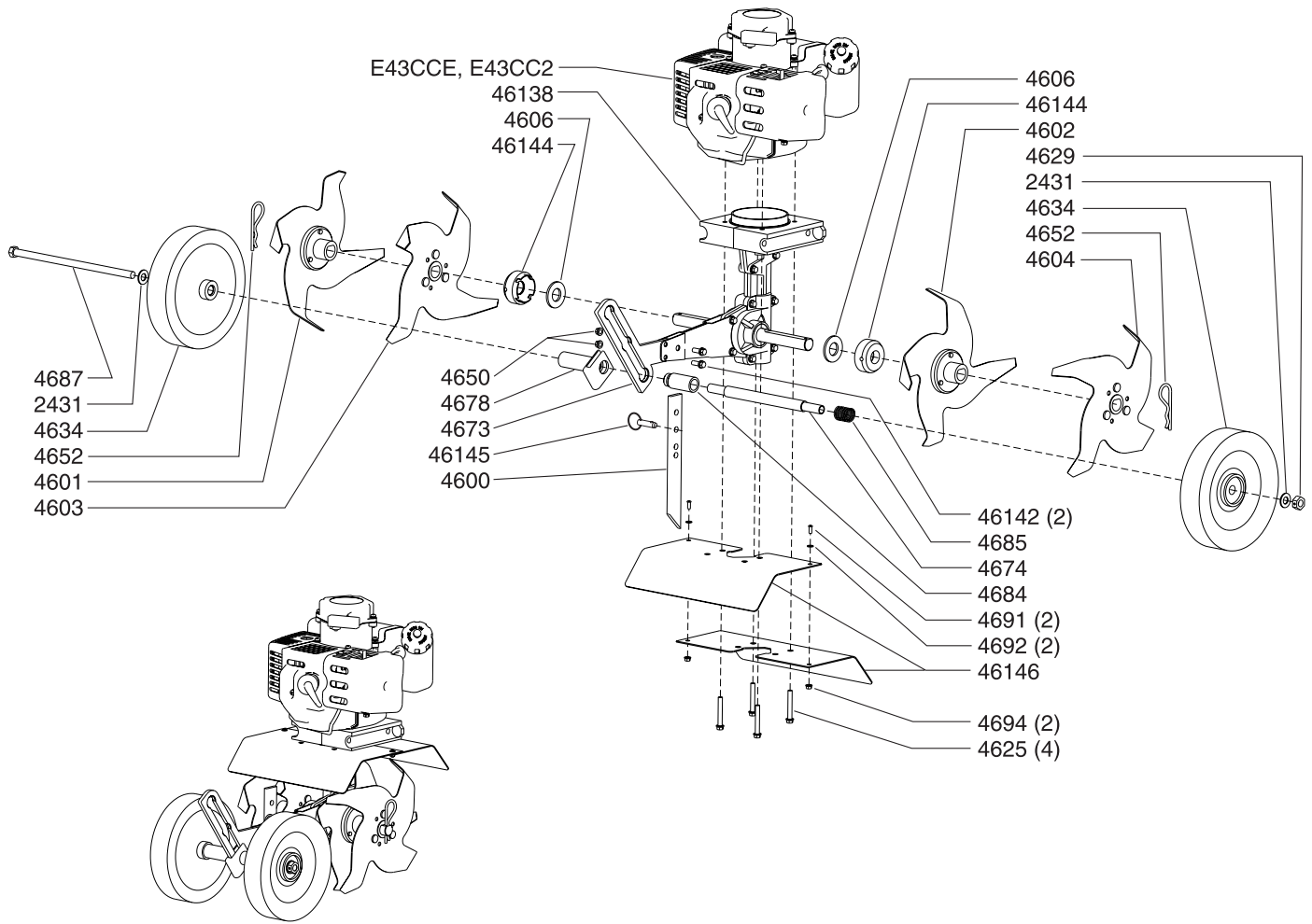


MINIMUM ORDER \$10.00

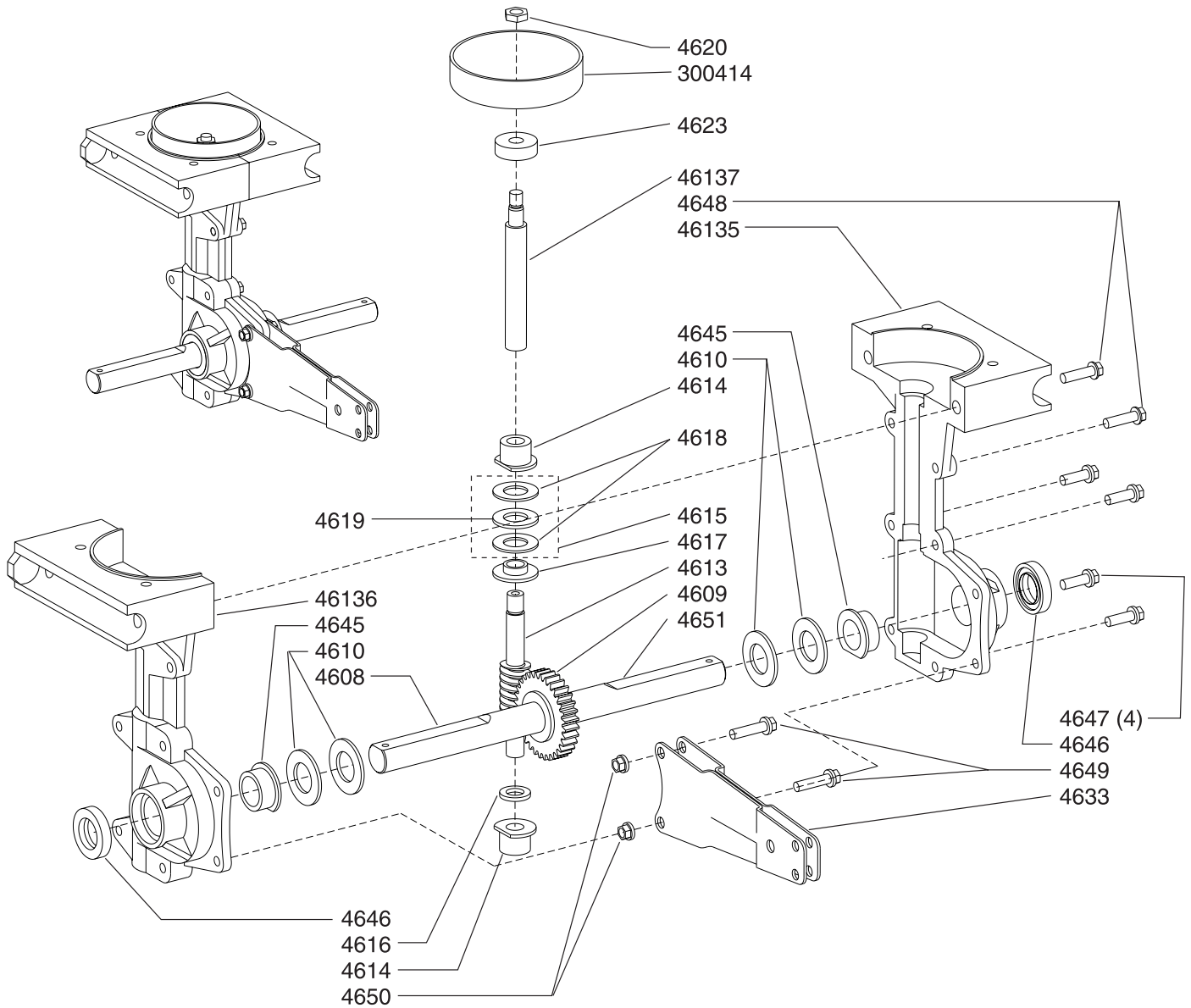
Part #	Description	Qty.	Part #	Description	Qty.
4812	MUFFLER COVER, METAL	1	300474	CATALYTIC CONVERTER MUFFLER	1
300401	FUEL TANK CAP, MANUAL VENTING	1	300475	MUFFLER GASKET	1
300412	CLUTCH SPRING	1	300476	INTAKE GASKET	2
300413	CLUTCH ROTOR ASSEMBLY	1	300477	HEAT DISK	1
300429	RECOIL PLATE	1	300478	INTAKE WINDPIPE	1
300430	RECOIL ASSEMBLY W/STANDARD HANDLE	1	300479	CARBURETOR GASKET	1
300435	AIR FILTER	1	300480	FUEL TANK THREADED SPACER	2
300437	FUEL TANK	1	300481	O-RING	1
300438	BOLT W/WASHER, M5 X 25MM	4	300482	ENGINE SHROUD	1
300439	BOLT W/WASHER, M5 X 18MM	15	300483	ENGINE SHROUD COVER	1
300444	FUEL TANK SUPPORT, LEFT SIDE	1	300484	MAGNETO FLYWHEEL	1
300444R	FUEL TANK SUPPORT, RIGHT SIDE	1	300486	CARBURETOR	1
300445	WASHER, M5	2	300487	ENGINE MOUNTING COVER	1
300449	SPRING WASHER	2	300488	CHOKE	1
300450	SHOULDER BOLT	2	300489	CHOKE LEVER	1
300454	INTAKE COVER	1	300491	RECOIL CLUTCH	1
300455	INTAKE COVER ADAPTER PLATE	1	300492	NUT, M6	2
300456	BOLT, M5 X 50MM	2	300493	STUD BOLT, M6 X 62MM	2
300457	AIR FILTER COVER	1	300494	FUEL TANK GROMMET, DOUBLE HOLE	1
300458	INTAKE COVER	1	300496	STARTER MOTOR, ELECTRIC START ONLY	1
300463	ENGINE SHROUD GROMMET	1	300497	PRIMER LINE CUT TO 4"	1
300467	LOCATING PIN	2	300498	FUEL LINE CUT TO 9"	1
300470	FUEL LINE HOSE & FILTER	1	3004121	HANDLE, RECOIL (STANDARD)	1
300471	BOLT, M5 X 12MM	3	BM6A	SPARK PLUG	1
300472	IGNITION COIL	1			



Part #	Description	Qty.	Part #	Description	Qty.
300471	BOLT, M5 X 12MM MC43E	3	4662	NUT, CHARGER PIGTAIL MC43E	1
46122	BATTERY 12V 7A MC43E	1	4663	CAP, CHARGER PIGTAIL MC43E	1
46140	KEY SWITCH MC43E	1	4667	THROTTLE CABLE	1
46141	BOLT M8 X 1.25 X 160MM HEX HD	2	4669	BOLT, M6 X 1MM X 12MM PAN HD MC43E	1
4639	HANDLE GRIP	2	4681	BATTERY CHARGER, (NOT SHOWN) MC43E	1
4640	NUT, T-HANDLE	4	4689	HANDLEBAR UPPER RIGHT	1
4641	WASHER	8	4690	HANDLEBAR UPPER LEFT	1
4642	BOLT, HANDLE CLAMP	4	4693	HANDLEBAR MIDDLE	1
4643	ENGINE & TRANSMISSION ASSEMBLY	1	4695	HANDLEBAR LOWER	1
4650	NUT, M6 FLANGED HEX HD	2	4800	THROTTLE HOUSING	1
4655	NUT, M8 HEX HD	2	4803	CLEVIS PIN, .188 DIA. GROOVED	1
4656	BATTERY BOX MC43E	1	4804	E- CLIP, RETAINING RING FOR .188 PIN	1
4657	COVER, BATTERY BOX MC43E	1	4805	THROTTLE TRIGGER, LONG THROW	1
4659	VOLTAGE RECTIFIER MC43E	1	4814	BOLT, 10-24 X 1-1/4" PHILLIPS TRUSS HD	1
4660	SOLENOID MC43E	1	53106	NUT, 1/4-20 BI-WAY LOCK MC43E	2
4661	CHARGER PIGTAIL MC43E	1	6041612	SCREW, 1/4-20 X 1-1/2" PH TRUSS HD MC43E ...	2



Part #	Description	Qty.	Part #	Description	Qty.
2431	WASHER, 10MM NARROW FLAT	2	4650	NUT M6 X 1.0 FLANGED HEX HD	2
4600	DRAG BAR	1	4652	HAIR PIN, 5/8-3/4 COTTER	2
4601	TINE "A" RIGHT OUTSIDE	1	4673	WHEEL HOLDER	1
4602	TINE "C" LEFT INSIDE	1	4674	WHEEL TUBE	1
4603	TINE "B" RIGHT INSIDE	1	4678	GUIDE, WHEEL TUBE	1
4604	TINE "D" LEFT OUTSIDE	1	4684	TUBE, WHEEL LOCK	1
4606	WASHER, FIBER	2	4685	SPRING, WHEEL LOCK	1
46138	TRANSMISSION ASSEMBLY	1	4687	BOLT M10 X 1.5 X 225MM HEX HD	1
46142	BOLT M6 X 1.0 X 15MM FLANGED HEX HD	2	4691	BOLT, M4 X 0.7 X 10MM PHILLIPS PAN HD	2
46144	DUST CAP	2	4692	WASHER, M4 FLAT	2
46145	DETENT PIN 5/16 X 1-1/2"	1	4694	NUT M4 X 0.7 FLANGED HEX HD	2
46146	TINE SHIELD	2	E43CC	ENGINE 43CC CAT CONVERT (MC43)	1
4625	BOLT, M6 X 1.0 X 42MM FLANGED HEX HD	4	E43CCE	ENGINE 43CC CAT CONVERT ELEC START	1
4634	WHEEL	2			



<u>Part #</u>	<u>Description</u>	<u>Qty.</u>	<u>Part #</u>	<u>Description</u>	<u>Qty.</u>
300414	CLUTCH DRUM	1	4618	WASHER, THRUST	2
4608	TINE SHAFT	1	4619	THRUST BEARING CAGE ASSEMBLY	1
4609	GEAR, TINE SHAFT	1	4620	NUT, M8 JAM	1
4610	SHIM, TINE SHAFT	4	4623	BALL BEARING, 9MM	1
4613	WORM SPUD	1	4633	ARM WHEEL/DRAG STAKE MOUNT	1
46135	CASTING, RIGHT LOWER TRANSMISSION	1	4645	BUSHING, TINE SHAFT	2
46136	CASTING, LEFT LOWER TRANSMISSION	1	4646	SEAL, TINE SHAFT	2
46137	DRIVE SHAFT	1	4647	BOLT, M6 X 1.0 X 18MM FLANGED HEX HD	4
4614	BUSHING, DRIVE SHAFT	2	4648	BOLT, M6 X 1.0 X 22MM FLANGED HEX HD	2
4615	THRUST BEARING ASSEMBLY	1	4649	BOLT, M6 X 1.0 X 24MM FLANGED HEX HD	2
4616	SPACER, BUSHING	1	4650	NUT, M6 FLANGED HEX HD	2
4617	REDUCER, THRUST BEARING	1	4651	TINE GEAR & SHAFT ASSEMBLY	1

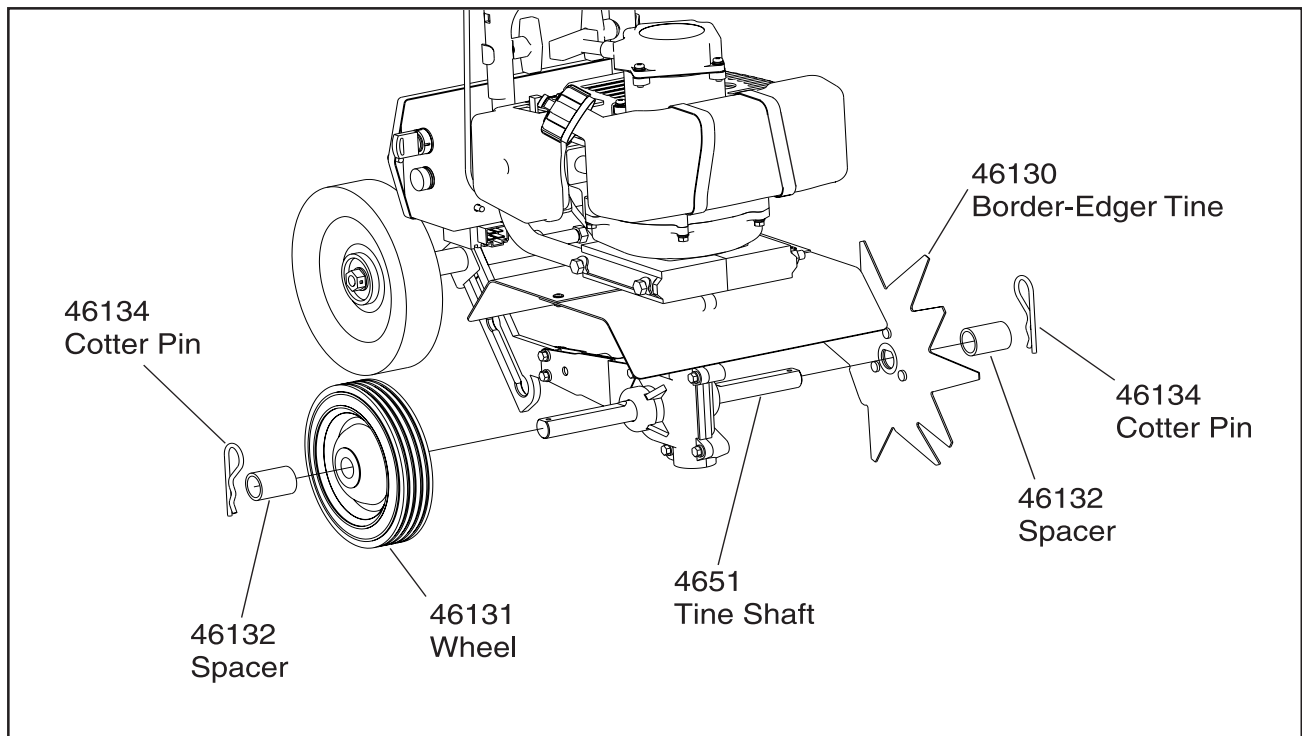
The Border-Edger Kit is a useful tool for making clean cuts in the lawn along the borders of gardens, flower beds, walkways, and driveways for a well manicured look.

1. Remove the cultivating tines.
2. Slide the border-edger attachment onto either side of the tine shaft. Make sure the hub collar of the edger tine faces outward from the mini cultivator.
3. Slide one of the spacers onto the tine shaft next to the edger tine and insert the cotter pin through the hole at the end of the tine shaft.
4. Slide the wheel onto the opposite side of the tine shaft.
5. Slide the remaining spacer onto the tine shaft next to the wheel and insert the remaining cotter pin through the hole at the end of the tine shaft.

Before using the Border-Edger Kit, the drag stake should be removed from the mini cultivator and the wheels should be set to the highest (top) position.

⚠ CAUTION

Be aware that the mini cultivator could unexpectedly bounce upward, or jump forward if the tines strike concrete, pavement, or other hard surfaces or hard obstacles buried under ground.



**EK43 Border-Edger Attachment Kit
(fits both Models MC43 & MC43E)**

The Dethatcher Kit is very effective for lifting away the excessive matted layers of thatch that can prevent moisture, oxygen and nutrients from penetrating the soil and can harbor disease and insects. Use in Spring, Summer, and Fall to bring life and color back to your lawn.

1. Remove the cultivating tines (if so equipped). Refer to exploded view below for detailed assembly.
2. Slide the Left and Right Dethatcher Assemblies onto the tine shaft making sure the Right Assembly is installed on the right side and Left Assembly is installed on the left side as defined from the user's position.
3. Secure dethatcher assemblies using the spacers 46132 and hairpins 46134.
4. Slide dethatcher shield over the unit's tine shield from the rear of the unit and secure using bolts 4694, washers 4692, and nuts 4694.
5. Secure the lower part of the dethatcher shield to the drag stake mount using the detent pin 46145.

NOTE: The drag stake should not be used when using the dethatcher kit.

