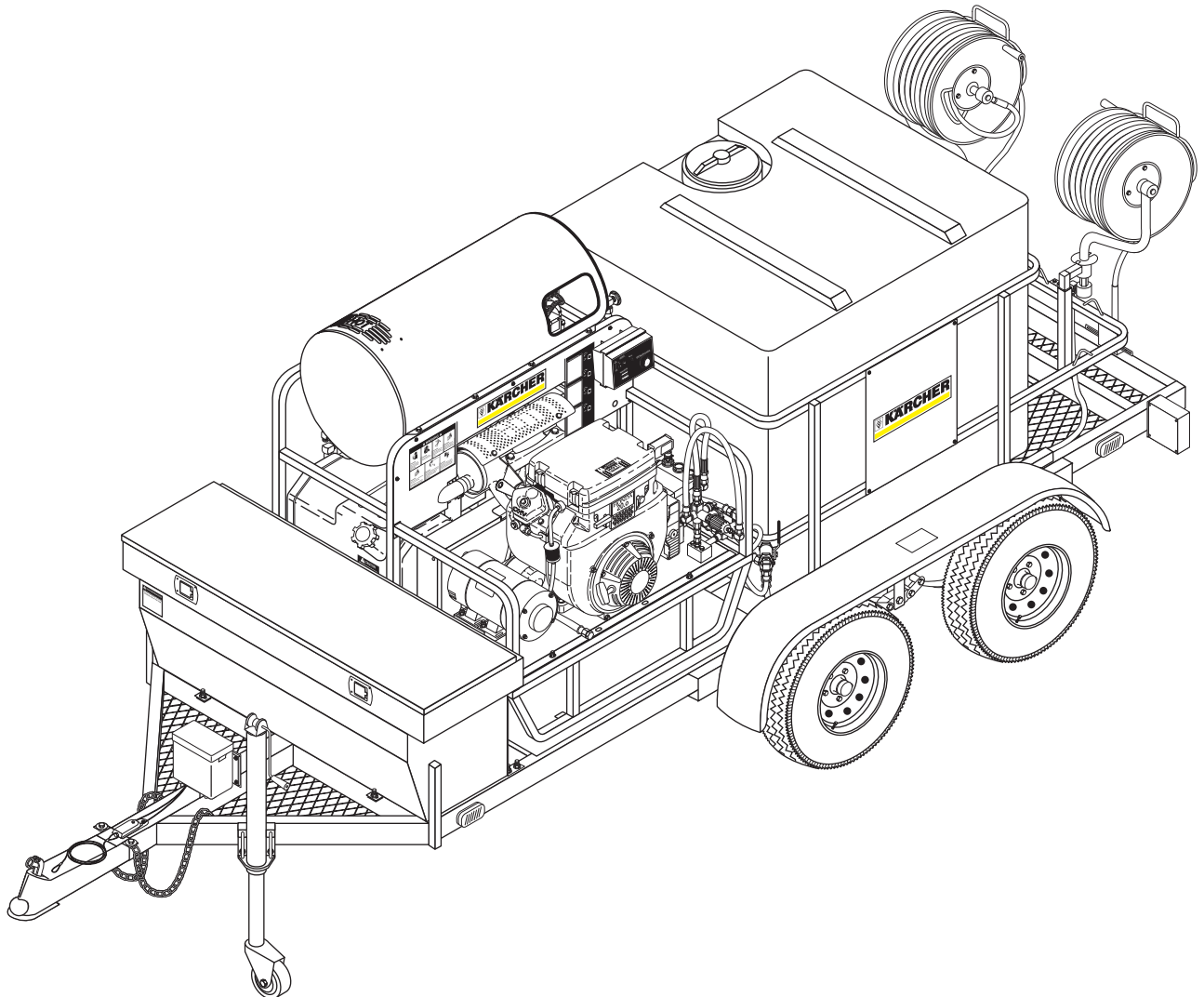




# KÄRCHER®

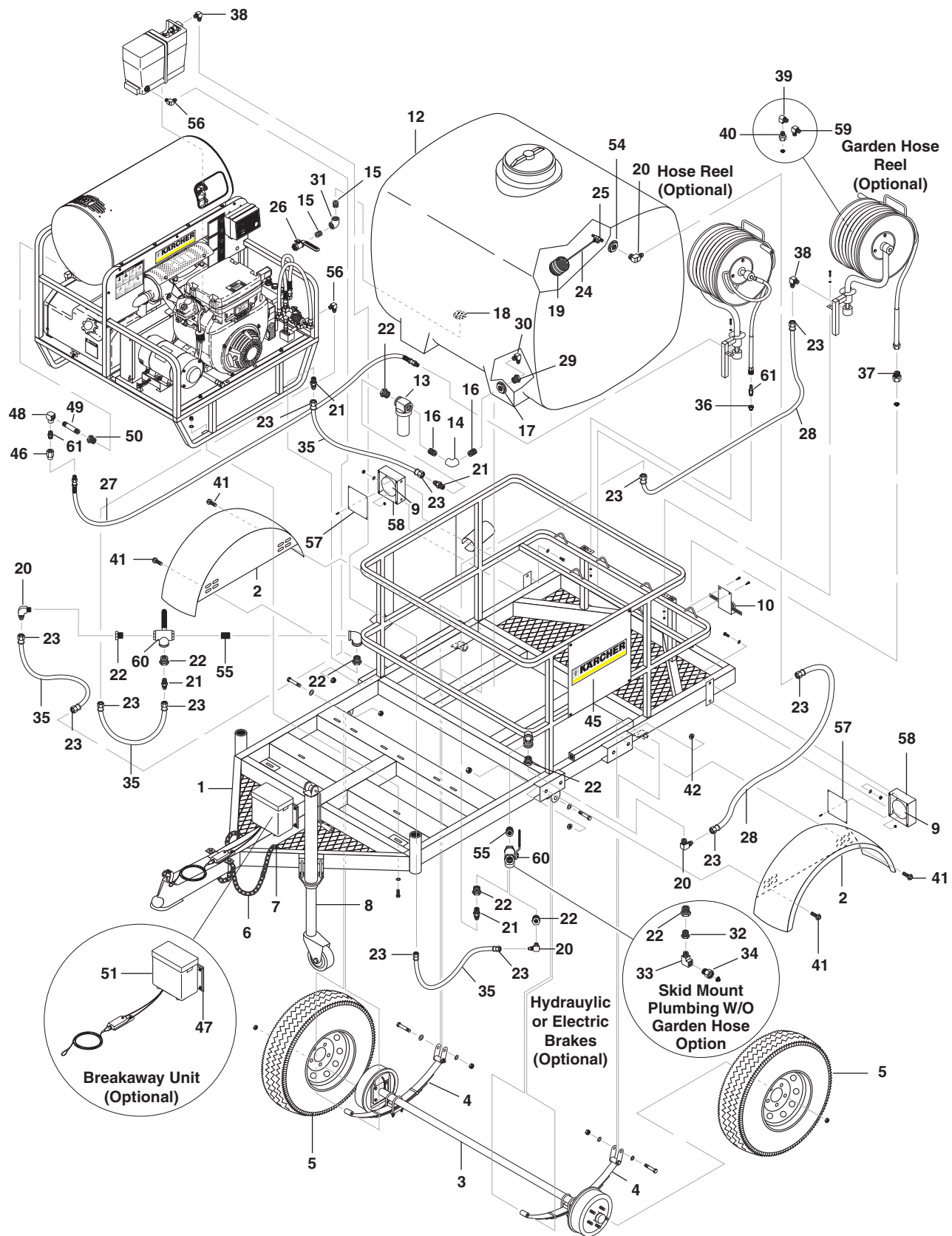
## TRAILER OPERATOR'S MANUAL



<u>MODEL</u>	<u>ORDER #</u>	<u>MODEL</u>
TRK-3500	1.103-806.0	TRS-3500
TRK-6000	1.103-807.0	TRS-3600

---

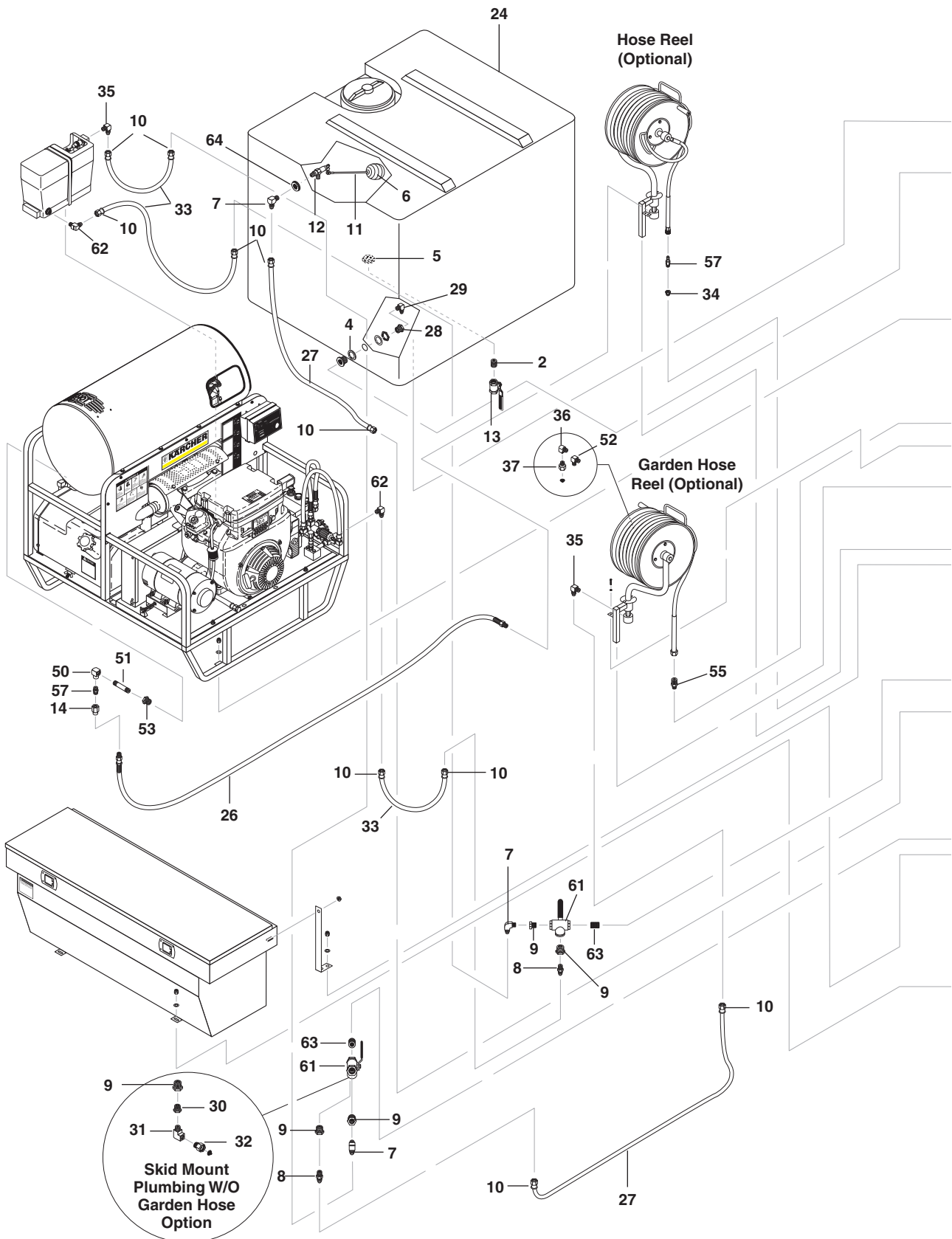
# EXPLODED VIEW — TRK-3500



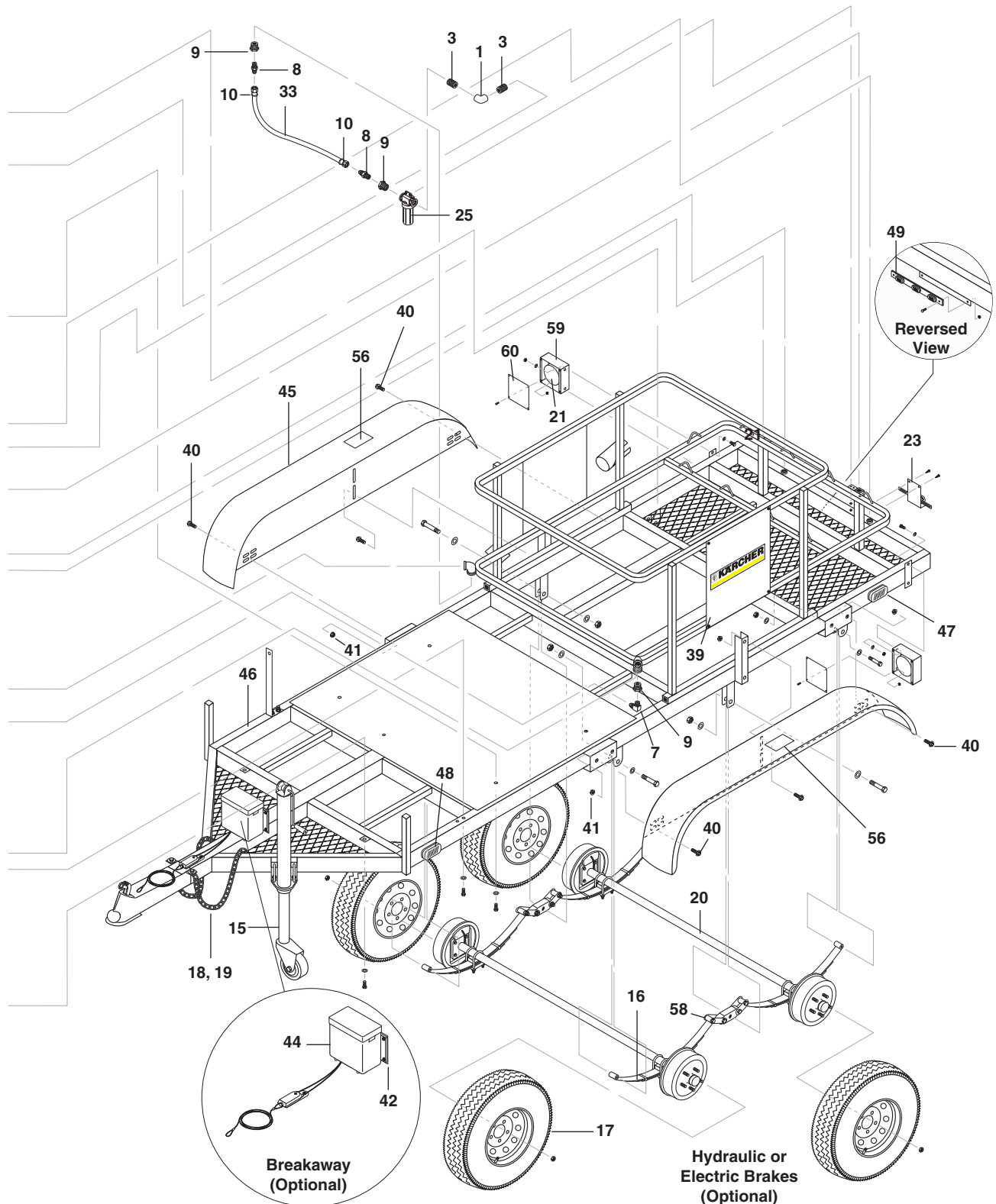
## EXPLODED VIEW PARTS LIST — TRK-3500

ITEM	PART NO.	DESCRIPTION	QTY	ITEM	PART NO.	DESCRIPTION	QTY
1	8.912-404.0	Frame, Assy (3500)	1	30	9.802-131.0	Elbow, 1/2" JIC x 1/2"	1
2	8.912-405.0	Fender, Single, Assy	2	31	8.706-375.0	Elbow, 1-1/2" FT x FT	1
3	8.707-500.0	Axle, 3500 lb. 64" Track	1	32	8.706-925.0	Bushing, 3/4" x 1/2" Pipe	1
	8.707-501.0	Axle, 3500 lbs, 64 Track, Elec. Brakes	1	33	8.706-829.0	Elbow, 1/2" Street Brass	1
	8.707-502.0	Axle, 3500 lbs, 64 Track, Hyd. Brakes	1	34	9.802-146.0	Swivel, 1/2" MP x 3/4" W/S	1
4	8.707-488.0	Springs, Leaf, 3500 lb./Pr	1	35	8.711-788.0	Hose, 3/4" Suction, Push-On	15.33 ft.
5	8.707-494.0	Wheel/Tire Assy, 15" Wheel	2	36	8.706-917.0	Bushing, 1/2" x 3/8" Brass	1
6	8.707-497.0	Chain, 5/16 Zinc Plated	6 ft.	37	8.706-968.0	Fitting, 3/4", Garden, HS x 1/2"	1
	8.718-661.0	▲ Bolt, 3/8" x 1-1/2", NC, HH, SS	2	38	8.706-888.0	Elbow, 3/4" JIC x 3/8"	2
	8.718-988.0	▲ Washer, 7/16" Flat, SAE	2	39	9.802-041.0	Elbow, 3/8" Street, 45°	1
	9.802-811.0	▲ Washer, 3/8" x 1-1/2", Fender	4	40	9.802-147.0	Swivel, 3/8" MP x 3/4" GHF W/S	1
	8.719-024.0	▲ Washer, 3/8", SS, Lock	2	41	9.802-767.0	Screw, 3/8" x 3/4" HH NC, Whiz Loc	12
	8.719-089.0	▲ Nut, 3/8" HEX, NC, SS	2	42	9.802-781.0	Nut, 3/8" Flange, Whiz Loc, NC	12
7	8.707-498.0	▲ Hook "S" 5/16 Zinc	2	43	9.802-206.0	▲ Clamp, Hose	1
8	8.707-485.0	Jack, Swivel/W/Caster 1500 lb.	1	44	9.802-794.0	▲ Nut, Cage, 1/4" x 12 GA	8
9	8.707-512.0	Lamp, Stop/Tail/Turn, Red	2	45	8.912-401.0	Signate Plate	2
10	8.707-513.0	Lamp, License W/Holder	1	46	9.802-166.0	Coupler, 3/8" Female, Brass	1
11	8.707-510.0	▲ Connector, 7 Prong	1	47	8.912-403.0	Bracket, Breakaway	1
12	8.707-524.0	Tank, 200 Gal, HDPE Const	1	48	8.706-167.0	Elbow, 3/8" FNPT	1
13	8.707-526.0	Strainer, D1" T Line	1	49	8.730-379.0	Nipple, 3/8" x 3" Pipe	1
14	8.706-376.0	Elbow, 1" PVC 80	1	50	8.706-294.0	Bushing, 1/2" x 3/8" Steel	1
15	8.706-424.0	Nipple, 1.5" Close PVC 80	2	51	8.707-506.0	Break Away Kit, W/Battery	1
16	8.706-439.0	Nipple, 1" Close PVC 80	2	52	9.802-064.0	▲ Grommet, Rubber, Nozzle Holder	6
17	8.706-484.0	Bulkhead, 1" Poly Pro	1	53	8.900-522.0	▲ Label, CLP Warning, Do Not Stand or Step	2
18	8.706-490.0	Bulkhead, 1-1/2" Poly Pro	1	54	9.802-052.0	Bulkhead, 3/4" Poly Pro	1
19	8.706-512.0	Float, Ball, Black Plastic	1	55	8.706-117.0	Nipple, 1" Black Pipe, Close	2
20	9.803-557.0	Elbow, 3/4" x 3/4" 90°	4	56	9.802-132.0	Elbow, 3/4" JIC x 1/2" 90°	2
21	8.706-899.0	Nipple, 3/4 JIC x 3/4" Pipe	4	57	8.912-399.0	Cover, Light Bracket	2
22	8.706-929.0	Bushing 1" x 3/4"	7	58	8.912-398.0	Bracket, Light Tail	2
23	9.802-152.0	Swivel, 3/4" SAE Fem Push On	10	59	8.706-207.0	Elbow, 3/8" Street	1
		(Garden Hose Reel Option)	12	60	8.707-230.0	Valve, 3 Way Brass 1"	2
24	8.707-025.0	Stem, Float 10"	1	61	9.802-171.0	Nipple, 3/8" x 3/8" Male	2
25	8.749-329.0	Valve, 3/4" Plastic Float	1			▲ Not Shown	
26	8.707-342.0	Valve, 1-1/2" Ball, Polypropylene	1				
27	8.711-640.0	Hose, 3/8 x 125", 2 Wire Swivel x Swivel	1				
28	9.802-261.0	Hose, 3/4", Push-On	12.5 ft.				
29	8.706-928.0	Bushing, 1" x 1/2", Black Poly	1				

# EXPLODED VIEW LEFT SIDE — TRK-6000



# EXPLODED VIEW RIGHT SIDE — TRK-6000



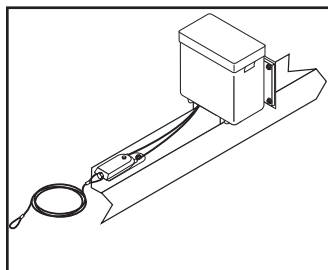
## EXPLODED VIEW PARTS LIST — TRK-6000

ITEM	PART NO.	DESCRIPTION	QTY	ITEM	PART NO.	DESCRIPTION	QTY
1	8.706-376.0	Elbow, 1" FIPT x FIPT, PVC 80	1	29	9.802-131.0	Elbow, 1/2" JIC x 1/2" 90°	1
2	8.706-424.0	Nipple, 1.5 x Close, PVC 80	1	30	8.706-925.0	Bushing, 3/4" x 1/2" Pipe	1
3	8.706-439.0	Nipple, 1", PVC 80, Close	2	31	8.706-829.0	Elbow, 1/2" Street, Brass	1
4	8.706-484.0	Bulkhead, 1", Polypro, #60427	1	32	9.802-146.0	Swivel, 1/2"MP x 3/4" GHF W/S	1
5	8.706-490.0	Bulkhead, 1-1/2" Polypro #60124	1	33	4-02120050	Hose, 3/4" Suction, Push-On	15.33 ft.
6	8.706-512.0	Ball, Float, Black Plastic	1	34	8.706-917.0	Bushing. 1/2" x 3/8" Brass	1
7	9.803-557.0	Elbow, 3/4" SAE x 3/4", 90°	4	35	8.706-888.0	Elbow, 3/4" JIC x 3/8" MPT	2
8	8.706-899.0	Nipple, 3/4" JIC x 3/4" Pipe	4	36	9.802-041.0	Elbow, 3/8" Street 45°	1
9	8.706-929.0	Bushing, 1" x 3/4"	7	37	9.802-147.0	Swivel, 3/8" MP x 3/4" GHF W/S	1
10	9.802-152.0	Swivel, 3/4" SAE Fem, Push-on	12	38	9.802-206.0	▲ Clamp, Hose	1
11	8.707-025.0	Stem, 10" Float	1	39	8.912-401.0	Plate, Signage, Trailers	1
12	8.749-329.0	Valve, 3/4" Plastic Float	1	40	9.802-767.0	Screw, 3/8" x 3/4" HH NC, Whiz Loc	12
13	8.707-342.0	Valve, 1.5" Ball, FPT x FPT, Poly	1	41	9.802-781.0	Nut, 3/8", Flange Whiz Loc, NC	12
14	9.802-166.0	Coupler, 3/8" Female, Brass	1	42	8.912-403.0	Bracket, Breakaway	1
15	8.707-485.0	Jack, Swivel w/Caster, 1500 Lbs.	1	43	9.802-794.0	▲ Nut, Cage, 1/4" x 12 GA	8
16	8.707-488.0	Springs, Leaf, 3500 Lb./Pr	2	44	8.707-506.0	Breakaway Kit W/Battery	1
17	8.707-494.0	Wheel/Tire Assy, 15" Wheel, ST205/75D15 Tire	4	45	8.912-396.0	Assy, Tandem Fender, TRK-6000	2
18	8.707-497.0	Chain, 5/16 Zinc Plated	6 ft.	46	8.912-395.0	Assy, Tandem Axle Frame, TRK-6000	1
	8.718-661.0	▲ Bolt, 3/8" x 1-1/2", NC, HH, SS	2	47	8.707-507.0	Lamp, Side Marker, Red	2
	8.718-988.0	▲ Washer, 7/16" Flat, SAE	2	48	8.707-508.0	Lamp, Side Marker, Amber	2
	9.802-811.0	▲ Washer, 3/8" x 1-1/2", Fender	4	49	8.707-509.0	Lamp, Identification Bar	1
	8.719-024.0	▲ Washer, 3/8", SS, Lock	2	50	8.706-167.0	Elbow, 3/8" FNPT	1
	8.719-089.0	▲ Nut, 3/8" HEX, NC, SS	2	51	8.730-379.0	Nipple, 3/8" x 3.0 Pipe	1
19	8.707-498.0	Hook, "S", 5/16" Zinc Plated	2	52	8.706-207.0	Elbow, 3/8" Street	1
20	8.707-503.0	Axle, 3500 Lb. , 72" Track, Idler	2	53	8.706-294.0	Bushing, 1/2" x 3/8" Street	1
	8.707-501.0	Axle, 3500 lbs, 64 Track, Elec. Brakes	2	54	9.802-064.0	▲ Grommet, Rubber, Nozzle Holder	7
	8.707-502.0	Axle, 3500 lbs, 64 Track, Hyd. Brakes	2	55	8.706-968.0	Fitting, 3/4" Garden Hose x 1/2"	1
21	8.707-512.0	Lamp, Stop/Tail/Turn, Red, Flush Mount	2	56	8.900-522.0	Label, CLP Warning, Do Not Stand or Step	2
22	25-057	▲ Plug, 7-Prong	1	57	9.802-171.0	Nipple, 3/8" x 3/8" NPT, ST, Male	2
23	8.707-513.0	Lamp, License W/Holder	1	58	8.707-489.0	Hanger Kit, Tandem Axle	1
24	8.707-525.0	Tank, 330 Gal. HDPE Constr.	1	59	8.912-398.0	Bracket Tail Light	2
25	8.707-526.0	Strainer, 1" T-Line, Trailers	1	60	8.912-399.0	Cover, Light Bracket	2
26	8.711-641.0	Hose, 3/8" x 150", 2 Wire, Swivel x Swivel	1	61	8.707-230.0	Valve, 1" Brass	2
27	9.802-261.0	Hose, 3/4" Push-On	12.5 ft.	62	9.802-132.0	Elbow, 3/4" JIC x 1/2", 90°	2
28	8.706-928.0	Bushing, 1" x 1/2" Black Poly	1	63	8.706-117.0	Nipple, 1" Close, Black	2
				64	9.802-052.0	Bulkhead, 3/4" Polypro	1

▲ Not Shown

# TRAILER OPTIONS AND ACCESSORIES

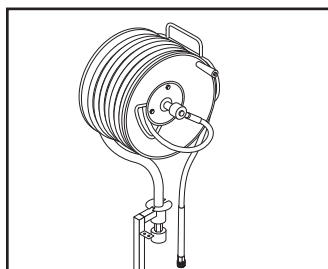
Part No.	Description	Fits These Models
----------	-------------	-------------------



**Electric Breakaway Brake Kit**

**Brakes**

8.902-437.0	Kit, Electric Brakes (one axle)	TRK-6000
8.902-438.0	Kit, Surge Brakes (one axle)	TRK-6000
8.902-440.0	Kit, Electric Brakes	TRK-3500
8.902-441.0	Kit, Surge Brakes	TRK-3500
8.707-506.0	Kit, Breakaway, Electric Brakes	All Models



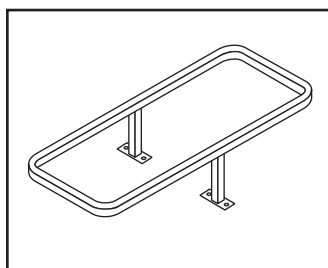
**Hose Reel**

**Mounting Kits**

8.902-454.0	Kit, Mount & Plumbing	W/Float Tank
8.902-456.0	Kit, Mount & Plumbing	W/OFloat Tank

**Hose Reel Kits (Hose NOT Included)**

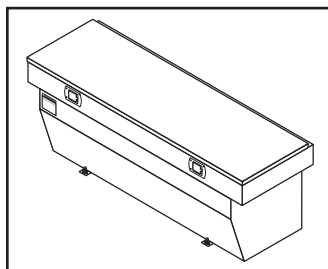
8.902-447.0	Kit, For 100' of 3/8" High Pressure Hose	All Models
8.902-448.0	Kit, For 200' of 3/8" High Pressure Hose	All Models
8.902-449.0	Kit, For 100' of 3/4" Garden Hose	All Models



**2-Place Chemical Rack**

**Chemical Rack**

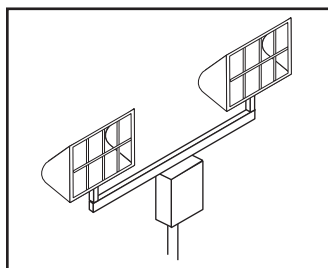
8.912-409.0	2-5 Gal. Bucket Chemical Rack	TRK-3500, TRK-6000
-------------	-------------------------------	--------------------



**Fuel Tank & Tool Box**

**Fuel Tank & Tool Box**

8.902-464.0	Kit, Fuel & Tool, 50 Gal. Tank	TRK-6000
8.902-465.0	Kit, Fuel & Tool, 24 Gal Tank	TRK-6000
8.707-521.0	Kit, Fuel & Tool Box Only, 50 Gal. Tank	TRK-6000
8.707-522.0	Kit, Fuel & Tool Box, 24 Gal. Tank	TRK-6000



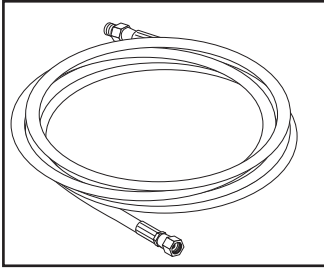
**Work Lamp**

**Work Lamp**

8.707-514.0	Work Lamp, 1500 Watt	All Models
-------------	----------------------	------------

# TRAILER OPTIONS AND ACCESSORIES

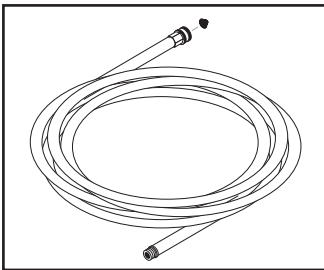
Part No.	Description	Fits These Models
----------	-------------	-------------------



**High Pressure Hose**

**High Pressure Hoses**

- |             |                                      |  |
|-------------|--------------------------------------|--|
| 8.739-023.0 | 3/8" x 100', 1-Wire, Tuff-Skin       |  |
| 8.739-068.0 | 3/8" x 100', 2-Wire, Tuff-Skin       |  |
| 8.739-210.0 | 3/8" x 100', 2-Wire, Tuff-Flex, Blue |  |



**Garden Hose**

**Garden Hoses**

- |             |             |
|-------------|-------------|
| 8.711-798.0 | 50' x 3/4"  |
| 8.711-799.0 | 75' x 3/4"  |
| 8.711-800.0 | 100' x 3/4" |

**Chrome Wheel/Fender**

- |             |  |            |
|-------------|--|------------|
| 8.902-466.0 | Upgrade to Chrome Wheels (per pair)                    | All Models |
| 8.902-468.0 | Upgrade to Chrome Fender Assy. Tandem Axle (per pair)  | TRK-6000   |
| 8.902-467.0 | Upgrade to Chrome Fender Assy., Single Axle (per pair) | TRK-3500   |
| 8.707-493.0 | Chrome Wheel with ST205/75R14/C Tire (each)            | All Models |

**Signage**

- |             |               |            |
|-------------|---------------|------------|
| 8.902-469.0 | Signage Plate | All Models |
|-------------|---------------|------------|