



HS1000 HYDRAULIC SWING HOIST INSTRUCTIONS

REIMANN & GEORGER CORPORATION
HOISTING PRODUCTS
P/N 6102020

BUFFALO, NY
11/07/14

8 PARTS LIST

The following parts list applies to the hoist assembly only. The parts lists for the HydraWinch and HydraPak units are in the separate manuals for these items. Each item number on this parts list can be matched with the item number shown on the Figure 8-1 assembly drawing.

Item Number	Part Number	Quantity	Description
1	0700352	1	Boom
2	0700271	1	Front Leg
3	0700273	1	Front Leg Stabilizer Assembly
4	0700274	1	Cylinder Mount
5	0700289	1	Cable Keeper
6	0700275	1	Brace
7	0700276	1	Socket
8	7300755	1	Pivot Sheave
9	7304141	1	Sheave Assembly
10	5000057	1	Cable Weight
11	7300348	1	Shackle
12	7314700	1	Swivel Hook
13	5000214	4	Lockscrew
16	0700272	1	Stabilizer
17	6000426	1	Cylinder
18	6000969	1	Connector Female
19	6000967	1	Connector Male
20	6007429	2	Pin
21	5800387	2	Hairpins
22*	0706751	1	Bearing Pillow Block
24	0700277	1	Upper Counterweight Leg
25	0700278	1	Lower Counterweight Leg
26	0700279	1	Upper/Lower Counterweight Assembly
27*	0700288	8	Pin & Cable Assembly
29	0700890	2	Fitting
**	0704926	1	Cylinder Assembly
	0132000	20	Ballast Weights
***	0700499	1	Hose Assy 10'X1/2" w/QD'S (PR) Winch
***	0700500	1	Hose Assy 10'X1/4" w/QD'S (PR) Swing

* Includes hardware

** Includes items #17, 18, 19, and 29 and can be ordered as a unit.

*** Hoses not shown.

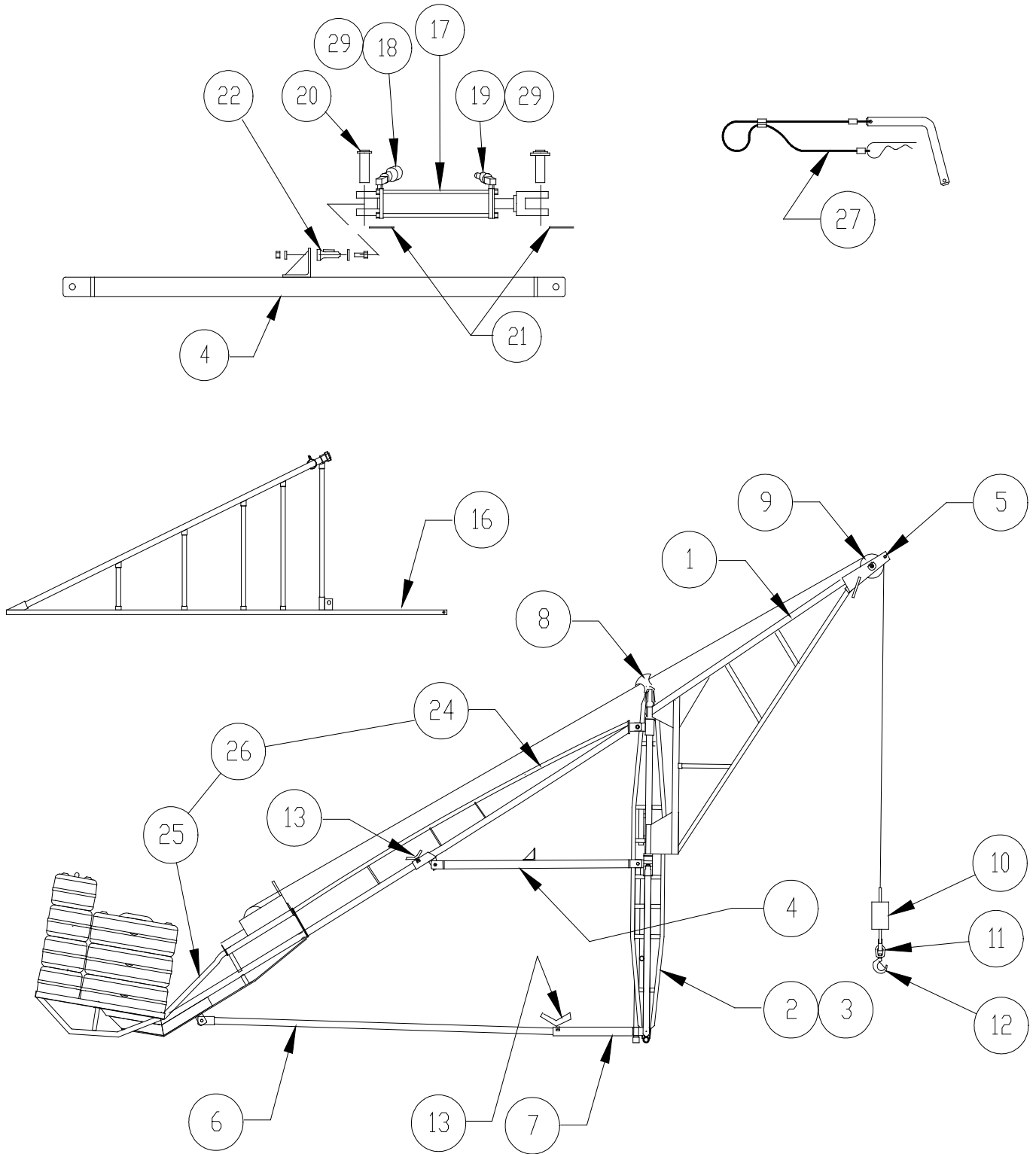


Figure 8-1.
HS1000 Assembly Drawing