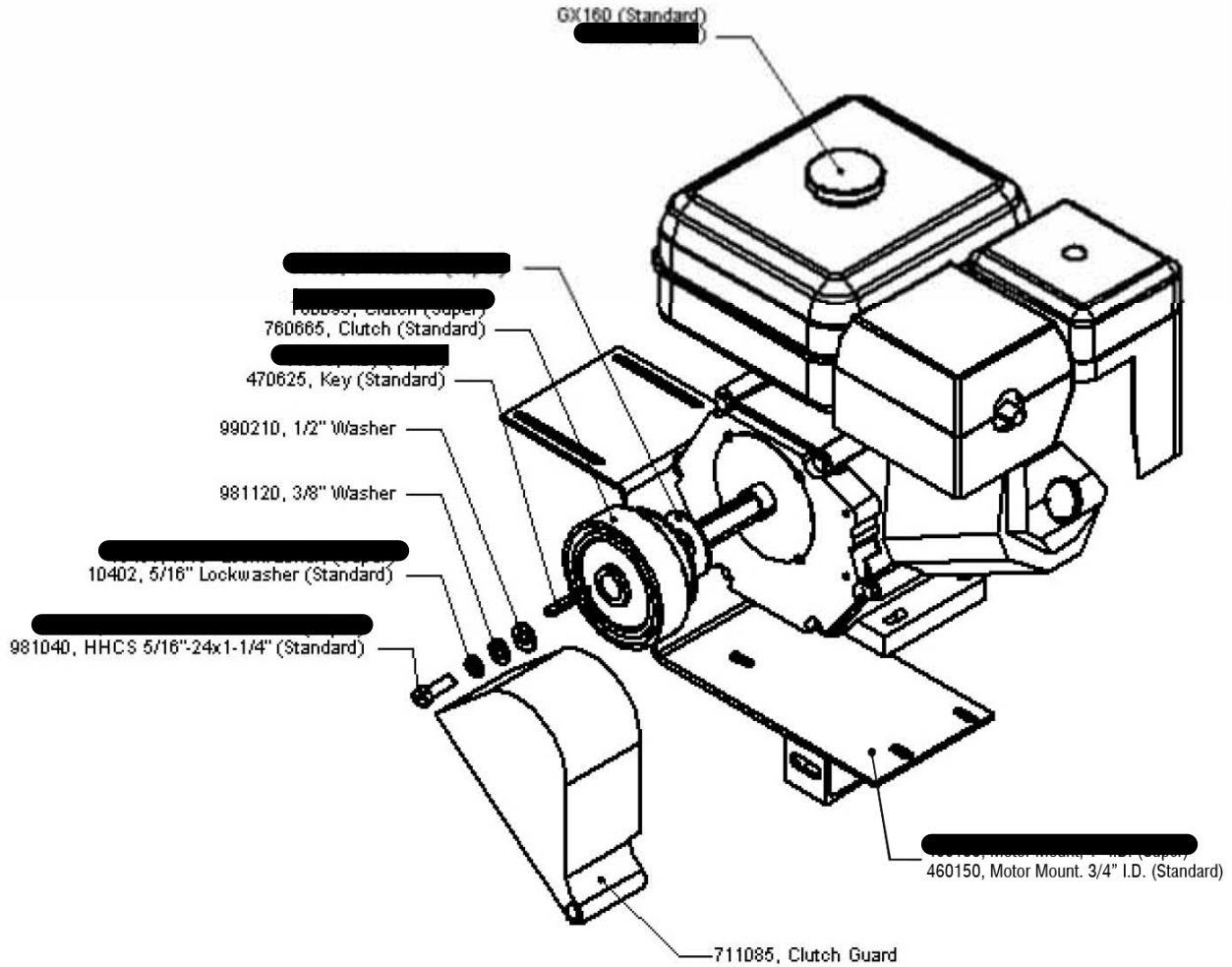


VIBRATORY SCREED INSTRUCTION MANUAL & PARTS BOOK



Model:	Screed/[REDACTED]/Standard	Page:	2
Title:	Engine Assy.		



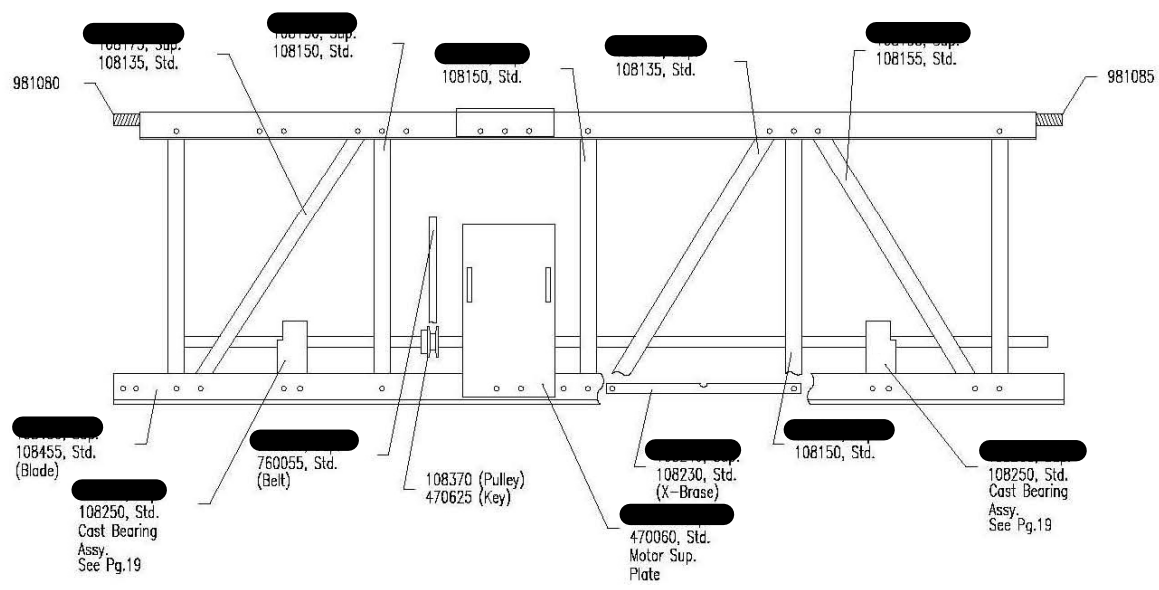
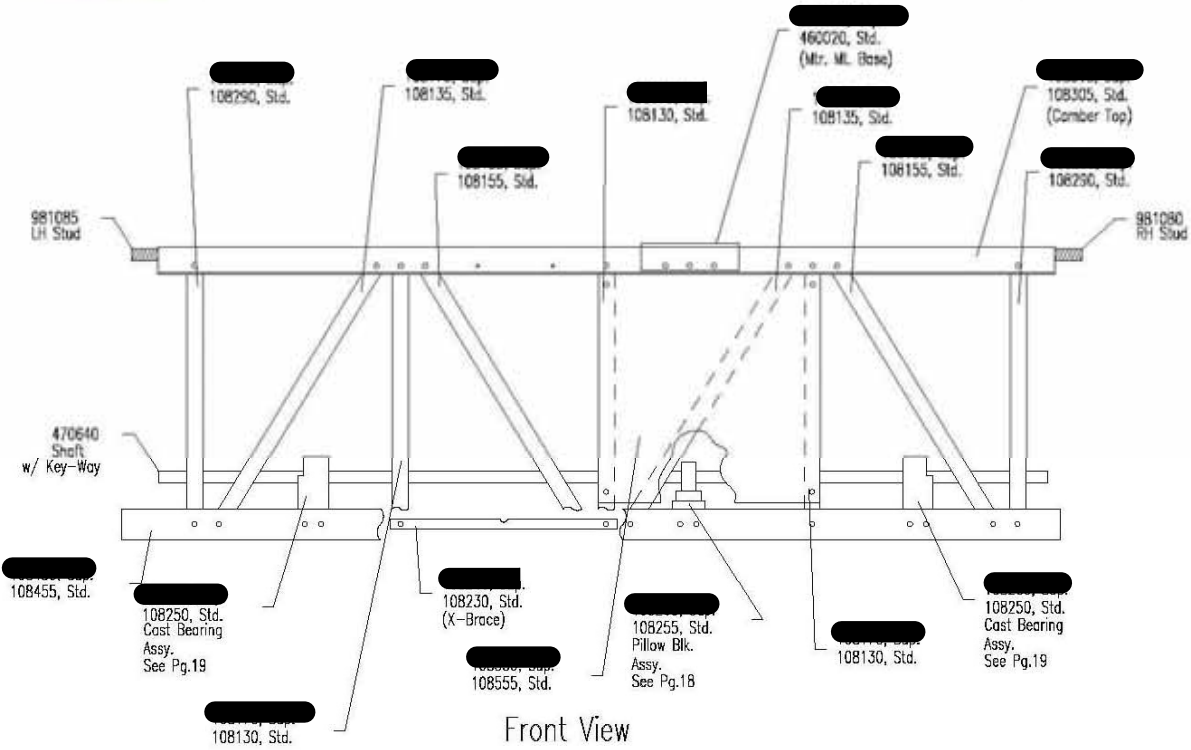
Note: Clutch orientation is shown for the engine assembly on a 10 ft base unit. Clutch orientation on a 5 ft base unit is reversed.

VIBRATORY SCREED INSTRUCTION MANUAL & PARTS BOOK



Model: Screed/Supr/Standard
 Title: 5' Base Section

Page: 3



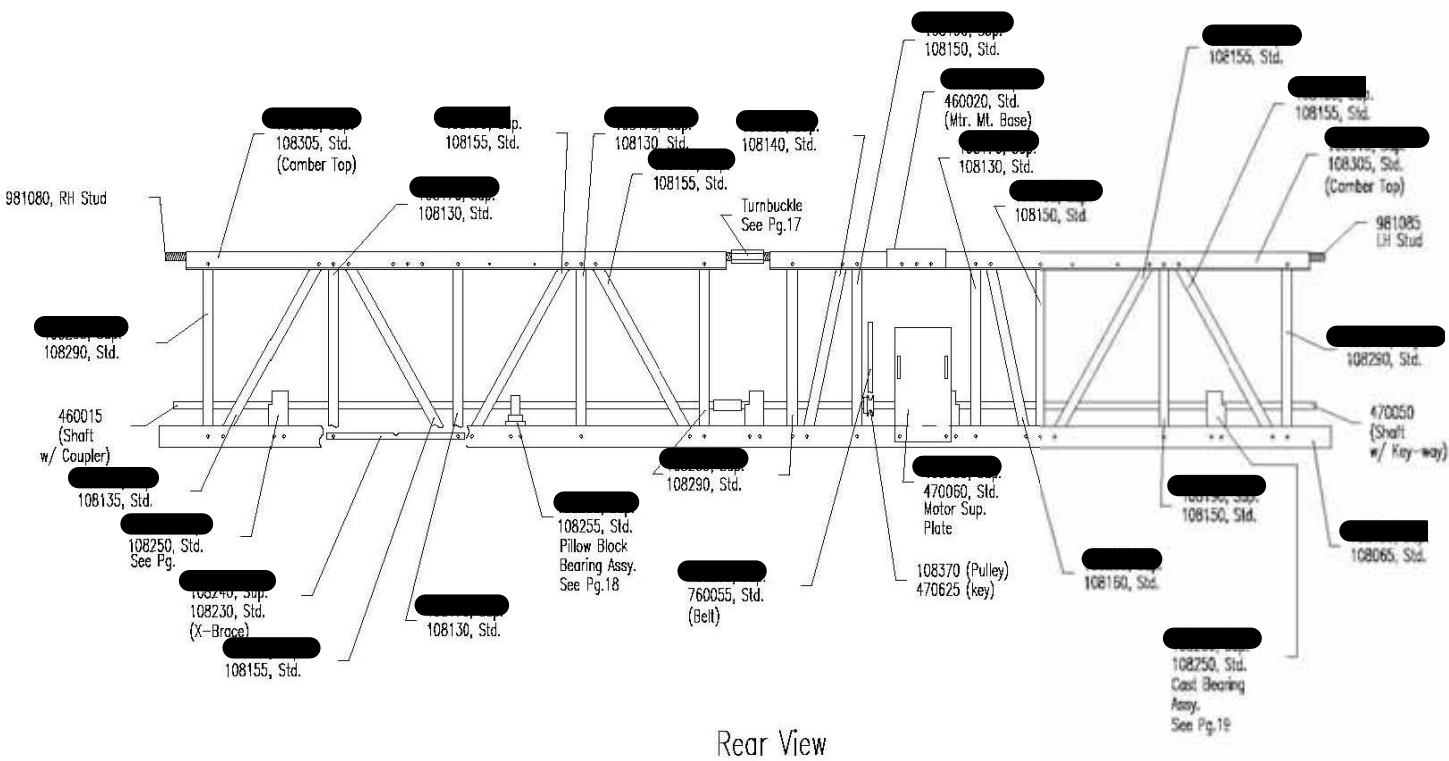


Model: _____
Title: _____

Screed / _____ / Standard
10' Base Section

Page: _____

5



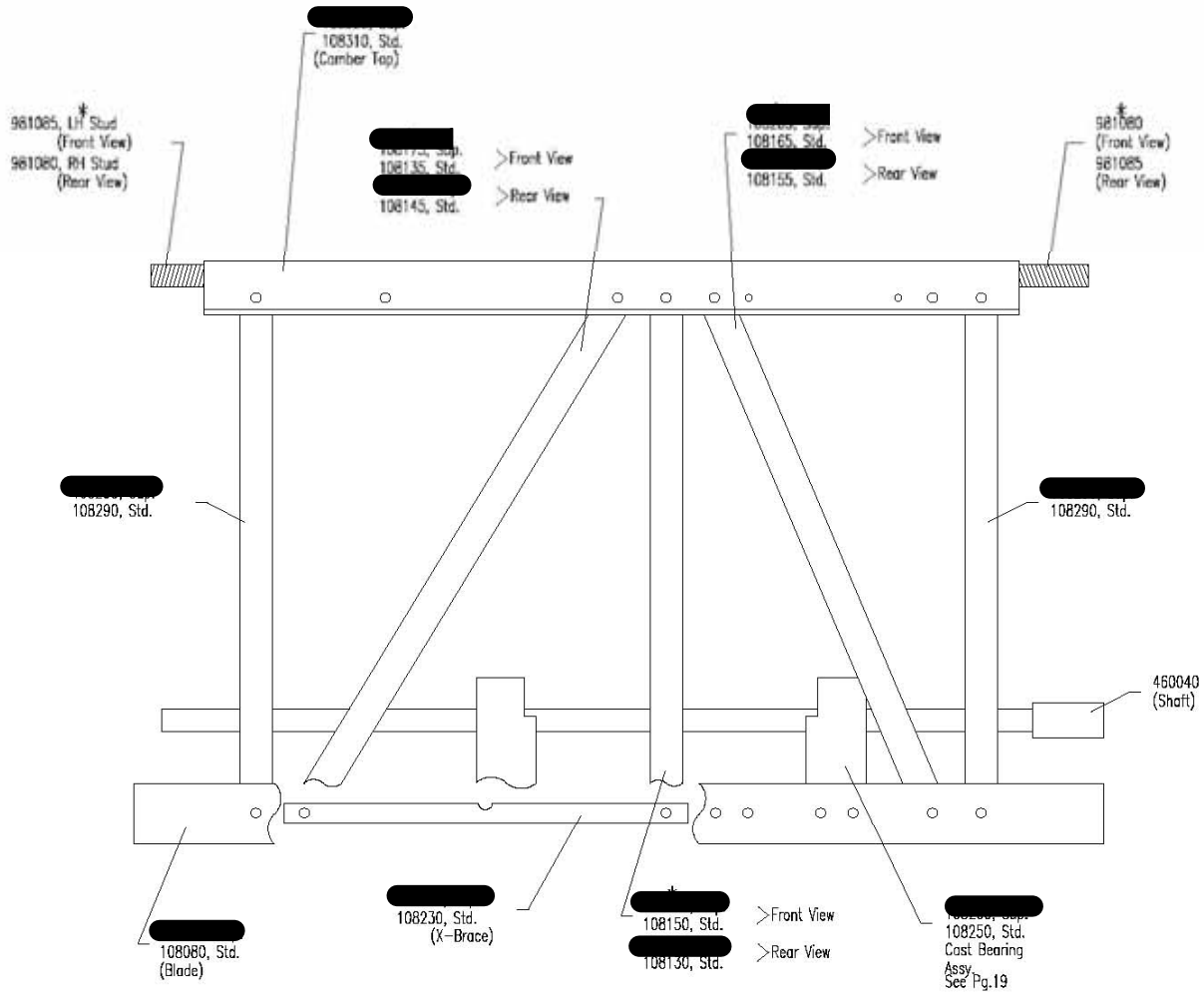
Rear View

VIBRATORY SCREED INSTRUCTION MANUAL & PARTS BOOK



Model: Screed/Supp/Standard
 Title: 2.5' Subsection

Page: 6



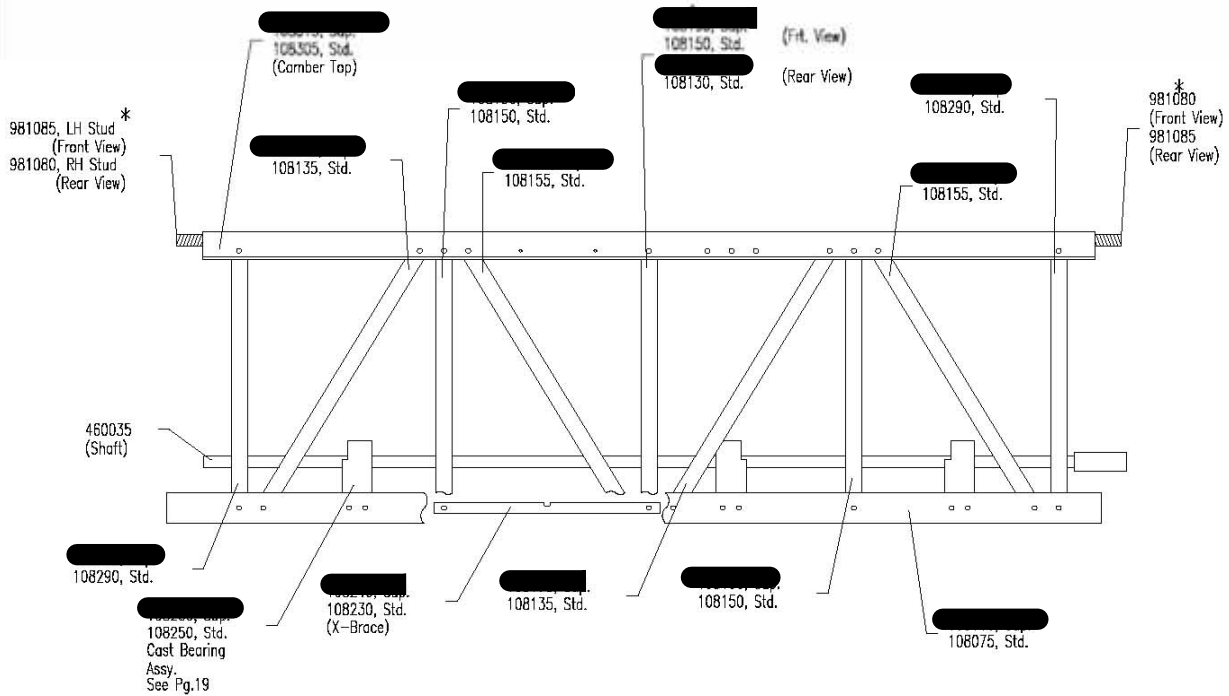
Front/Rear View

(Parts are identical except as noted +)

VIBRATORY SCREED INSTRUCTION MANUAL & PARTS BOOK



Model:	Screed/[REDACTED]/Standard	Page:	7
Title:	5' SUBSECTION		



Front/Rear View

(Parts are identical except as noted *)

VIBRATORY SCREED INSTRUCTION MANUAL & PARTS BOOK

VIBRATORY SCREED INSTRUCTION MANUAL & PARTS BOOK

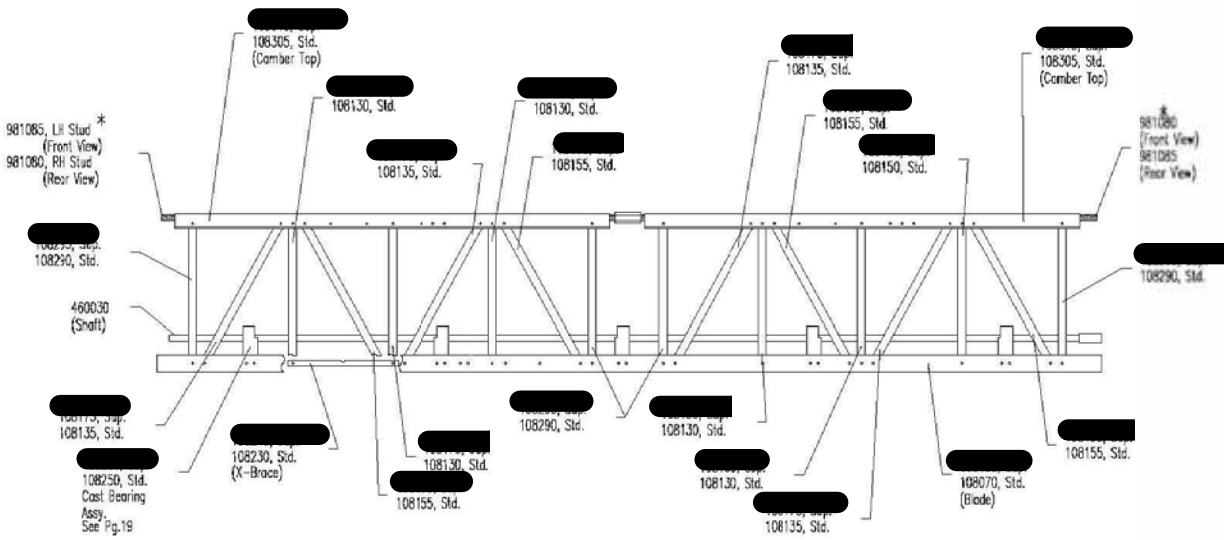


Model
File

Screed /  / Standard
10' SUBSECTION

Page

8



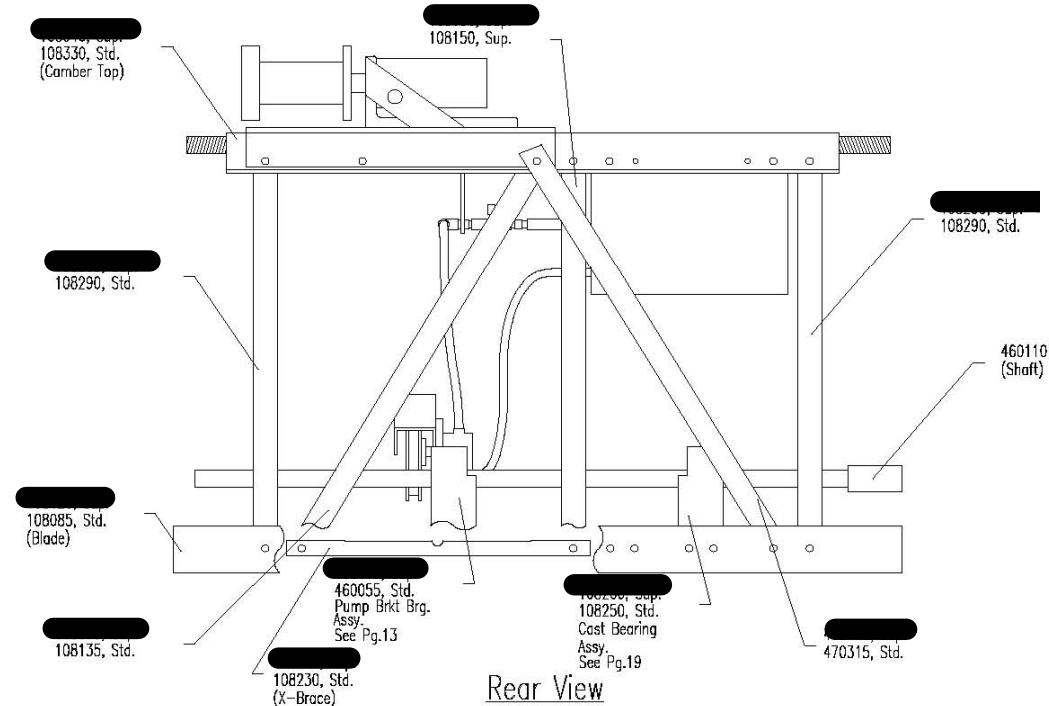
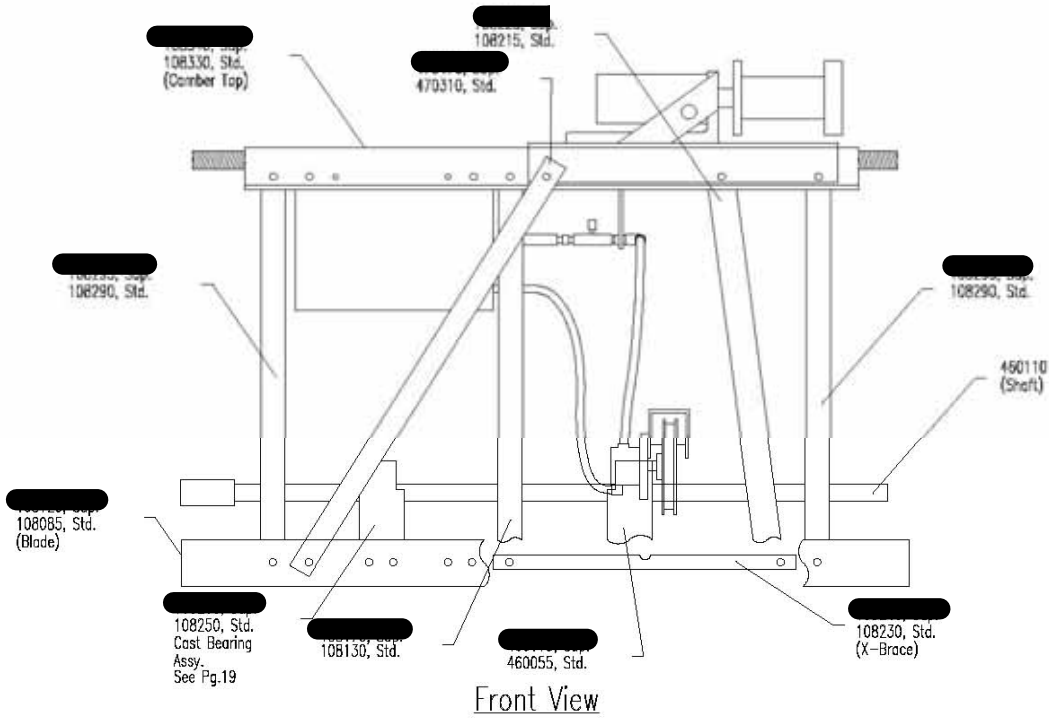
Front/Rear View
(Parts are identical except as noted *)

VIBRATORY SCREED INSTRUCTION MANUAL & PARTS BOOK



Model: Screed/ /Standard
 Title: Hydraulic Self-Propelled Assembly (RH)

Page: 9

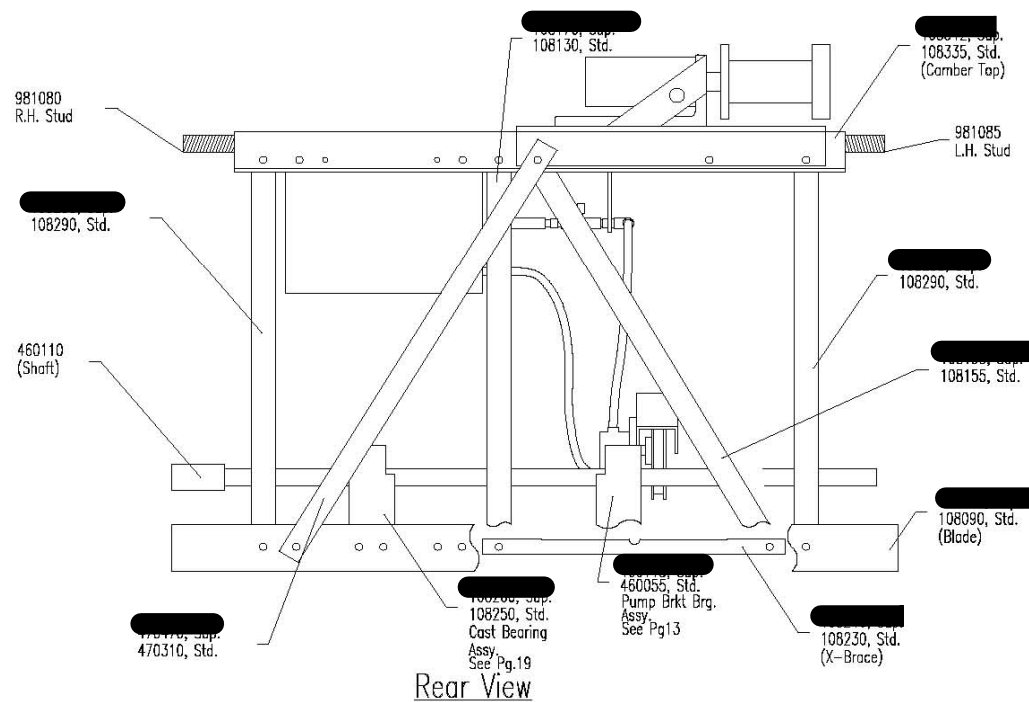
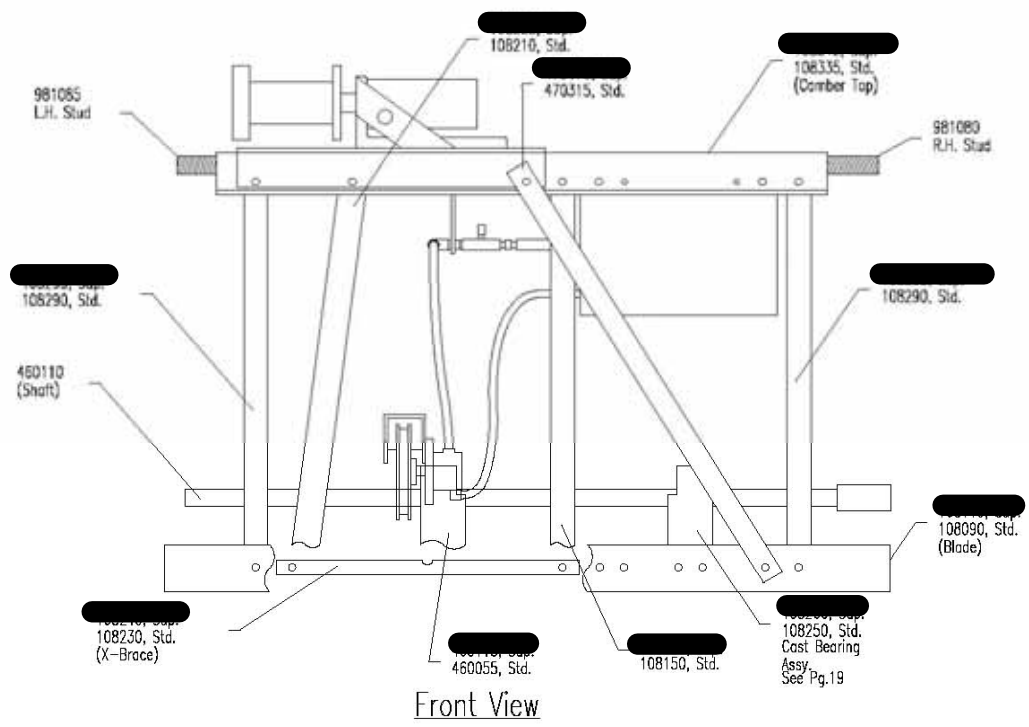


VIBRATORY SCREED INSTRUCTION MANUAL & PARTS BOOK



Model: Screed/ [REDACTED] /Standard
 Title: Hydraulic Self-Propelled Assembly (LH)

Page: 10



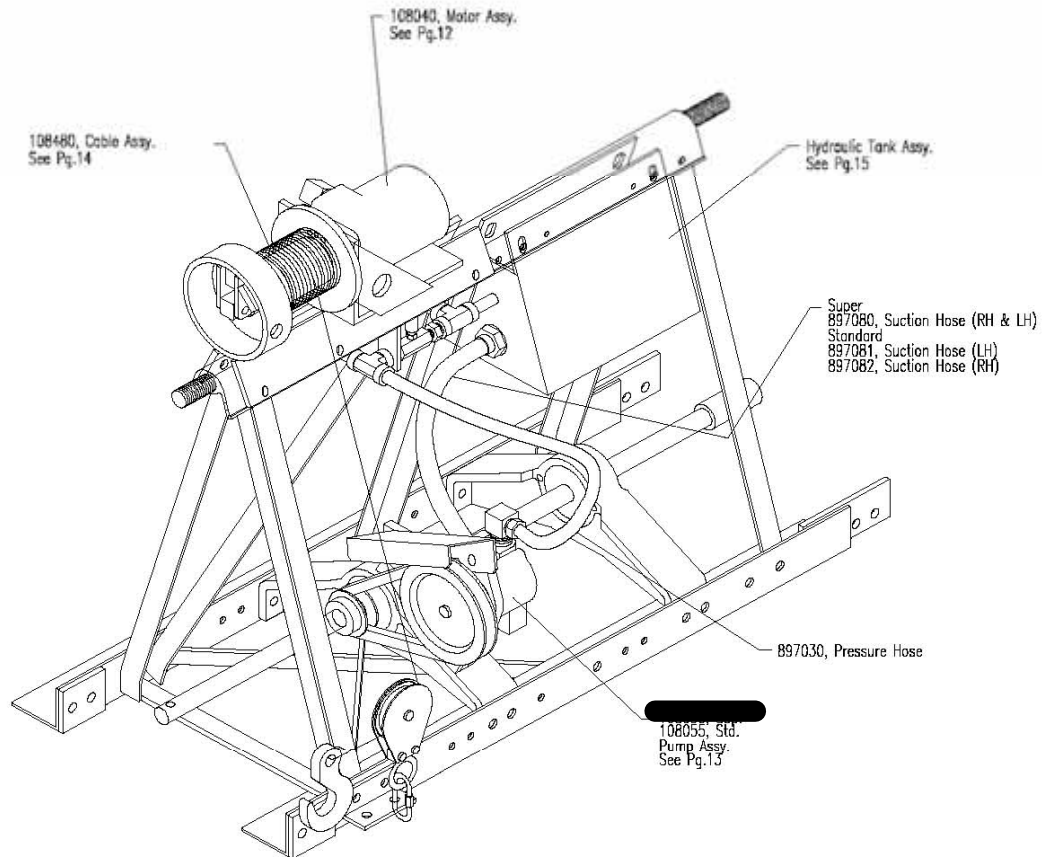
VIBRATORY SCREED INSTRUCTION MANUAL & PARTS BOOK



Model: Screed / [REDACTED] / Standard

Page: 11

Title: Self-Propelled Assembly

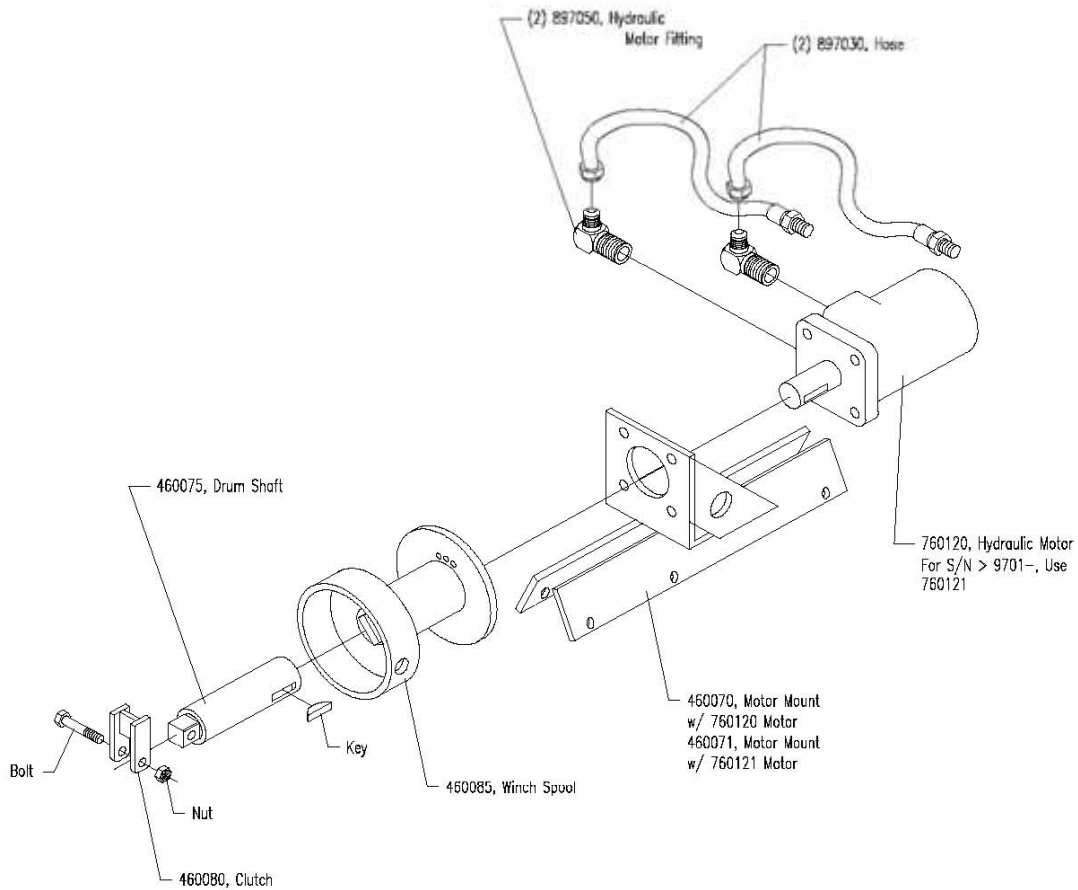


VIBRATORY SCREED INSTRUCTION MANUAL & PARTS BOOK



Model: Screed/ ~~Super~~ /Standard
Title: Motor Assembly

Page: 12

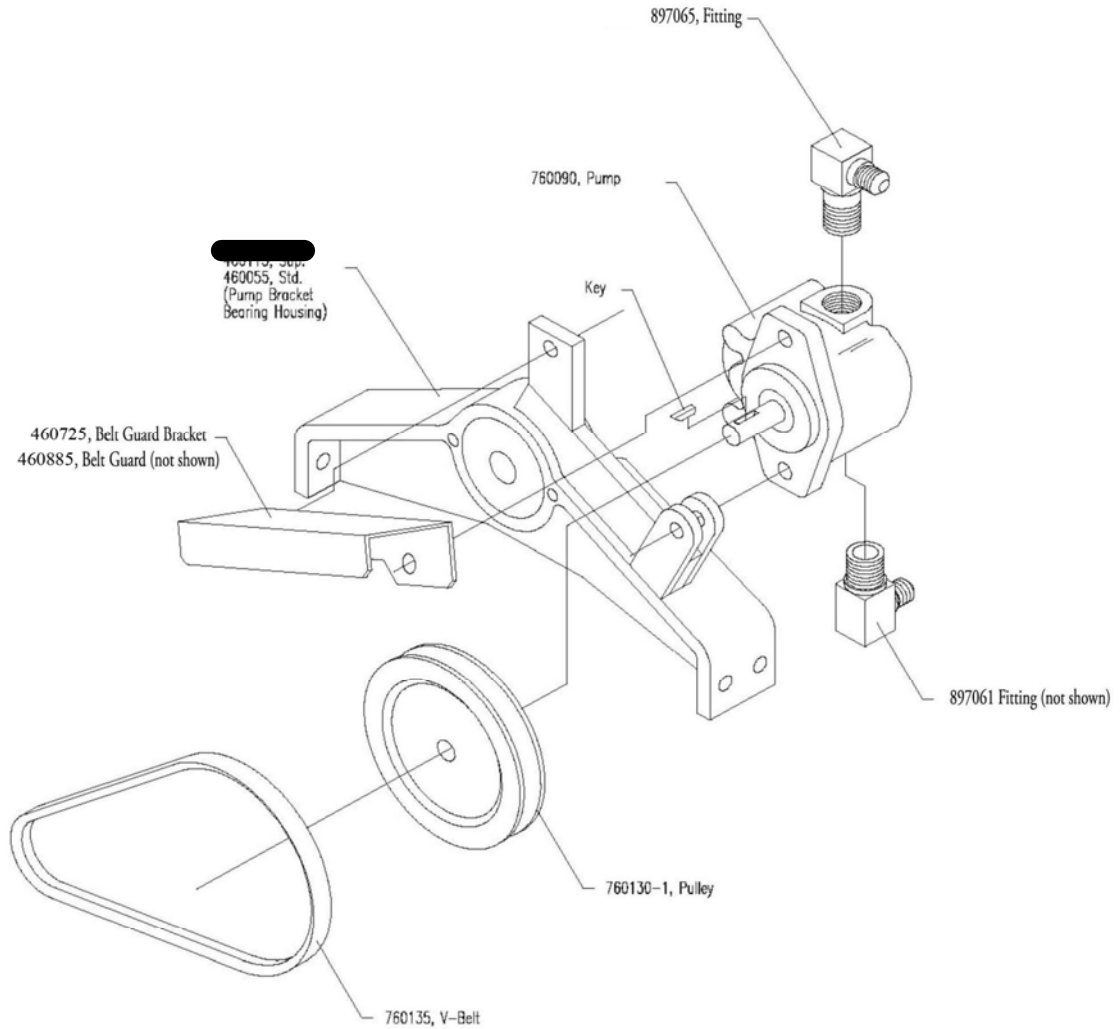


VIBRATORY SCREED INSTRUCTION MANUAL & PARTS BOOK



Model: Screed/ [REDACTED] /Standard
Title: Self-Propelled/Hydraulic Pump Assy.

Page: 13

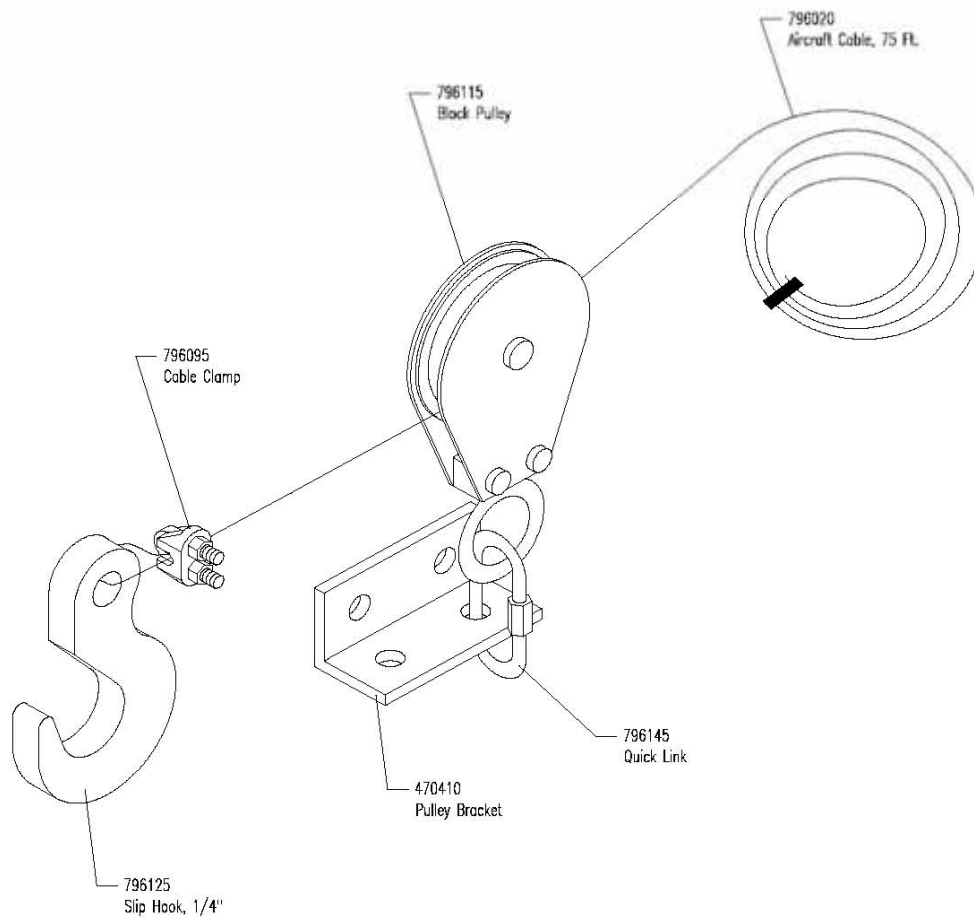


VIBRATORY SCREED INSTRUCTION MANUAL & PARTS BOOK



Model: Screed/██████/Standard
Title: Self-Propelled/Hand Winch Cable Assy.

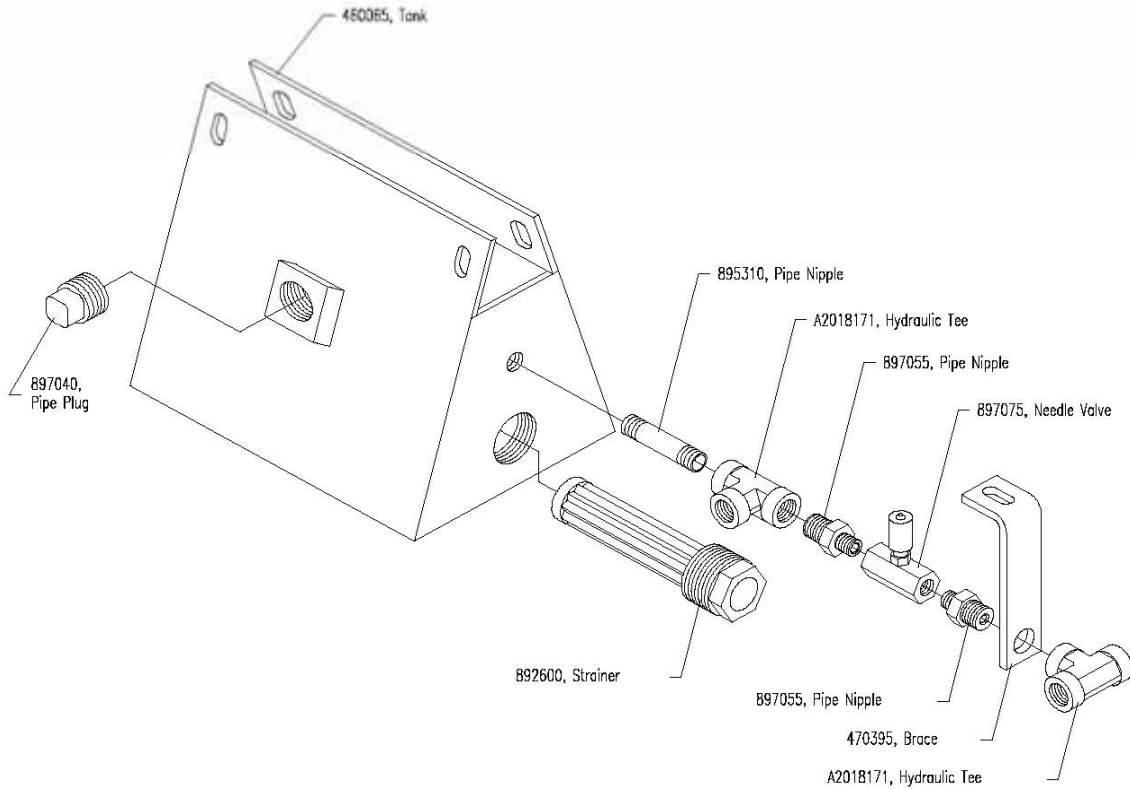
Page: 14



VIBRATORY SCREED INSTRUCTION MANUAL & PARTS BOOK



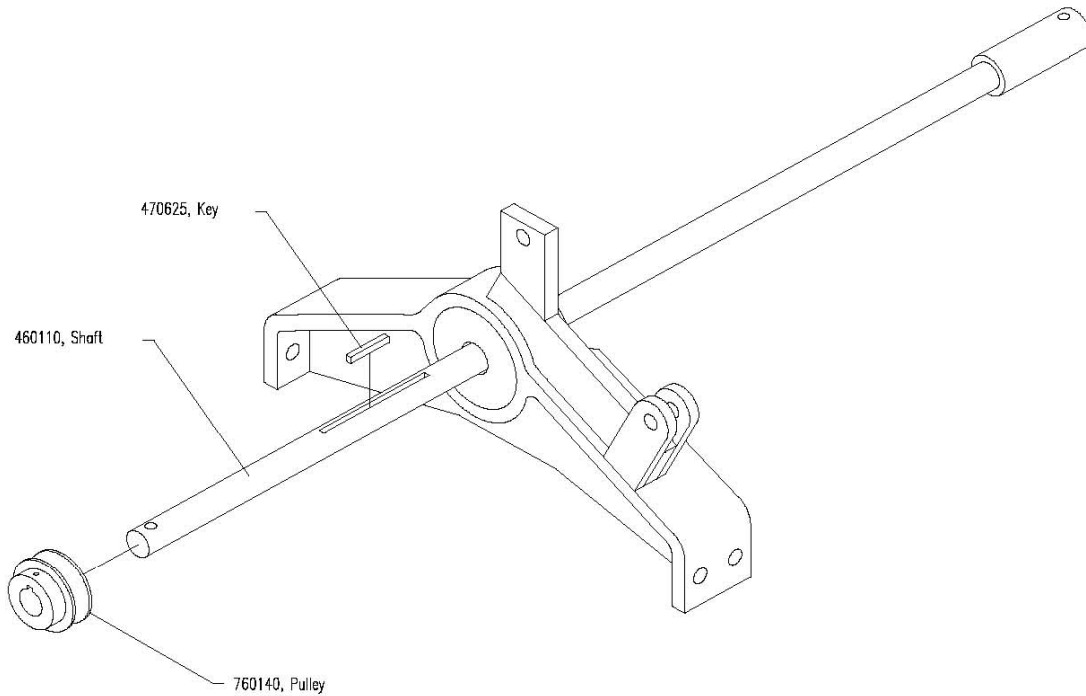
Model:	Screed/██████/Standard	Page: 15
Title:	Hydraulic Tank Assembly	



VIBRATORY SCREED INSTRUCTION MANUAL & PARTS BOOK



Model:	Screed/██████/Standard	Page:	16
Title:	Self-Propelled Shaft Assy.		

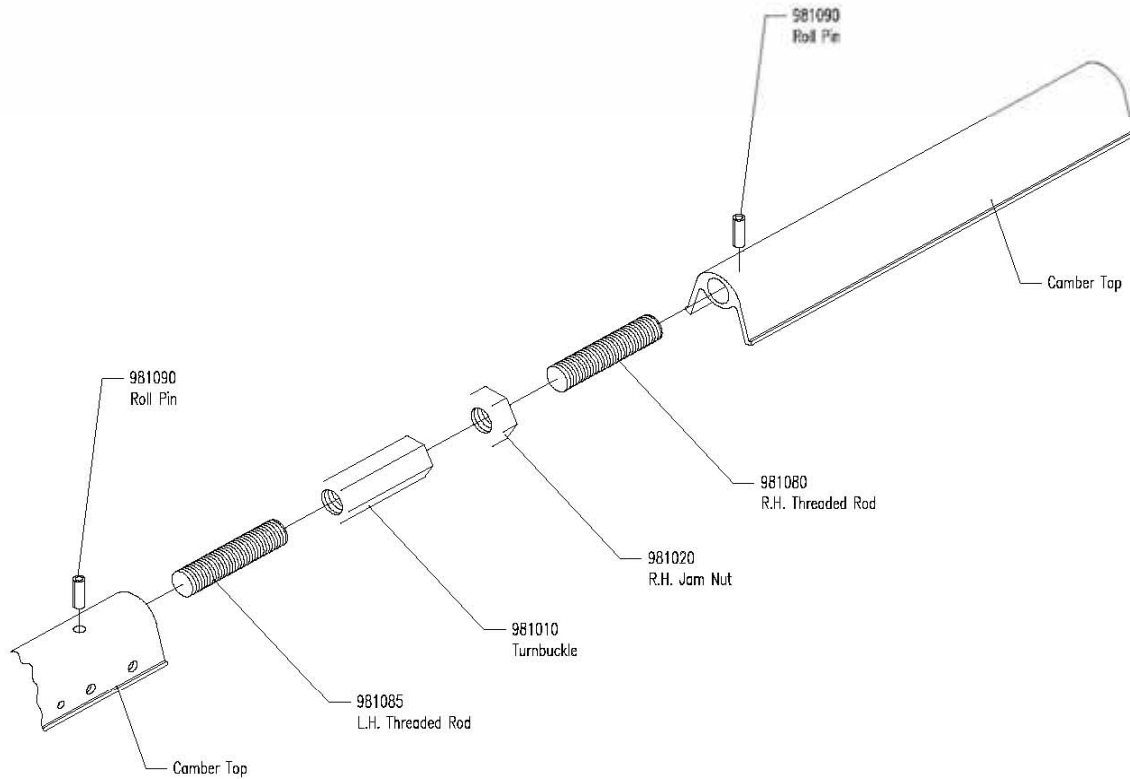


VIBRATORY SCREED INSTRUCTION MANUAL & PARTS BOOK



Model: Screed/ /Standard
Title: Turnbuckle Assembly

Page: 17

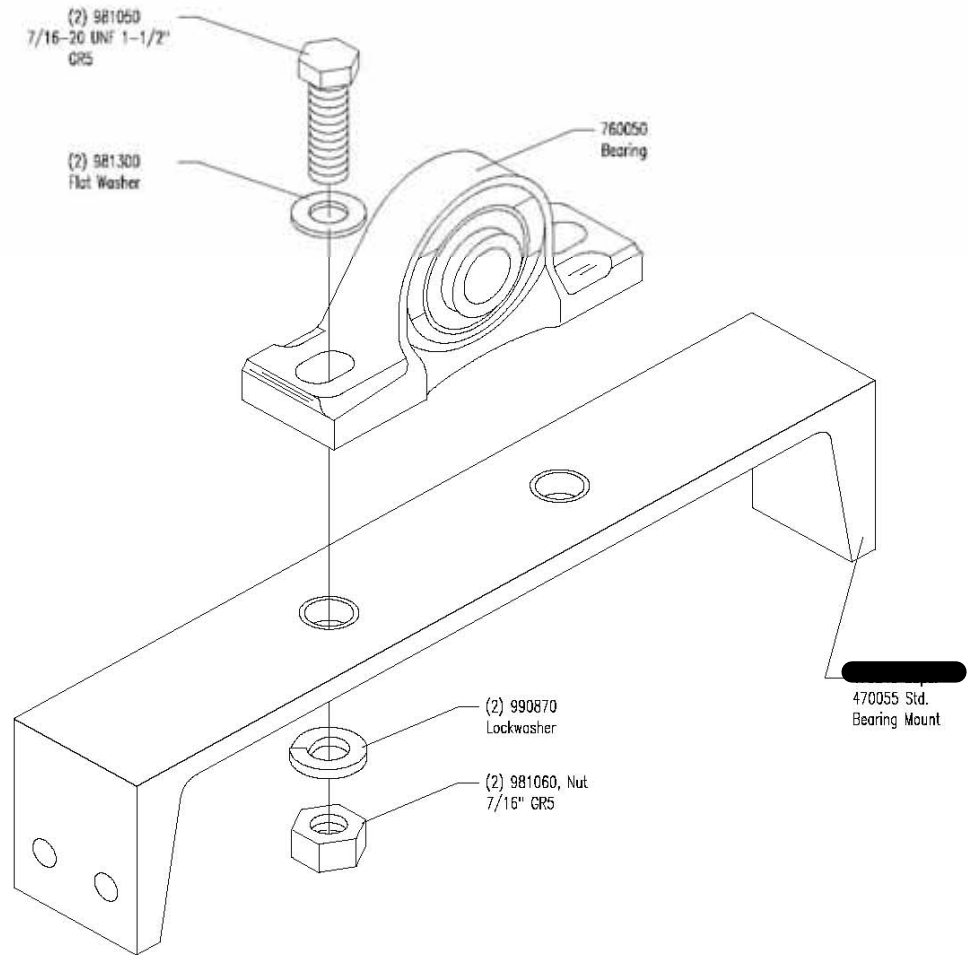


VIBRATORY SCREED INSTRUCTION MANUAL & PARTS BOOK



Model: Screed/ [REDACTED] /Standard
Title: Pillow Block Bearing Assembly

Page: 18

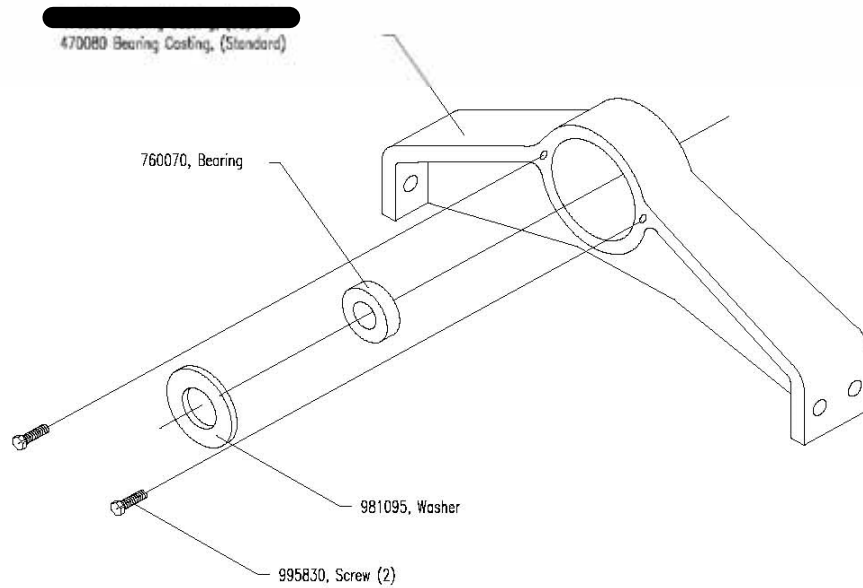


VIBRATORY SCREED INSTRUCTION MANUAL & PARTS BOOK



Model: Screed/[REDACTED]/Standard
Title: Cast Bearing Assy.

Page: 19

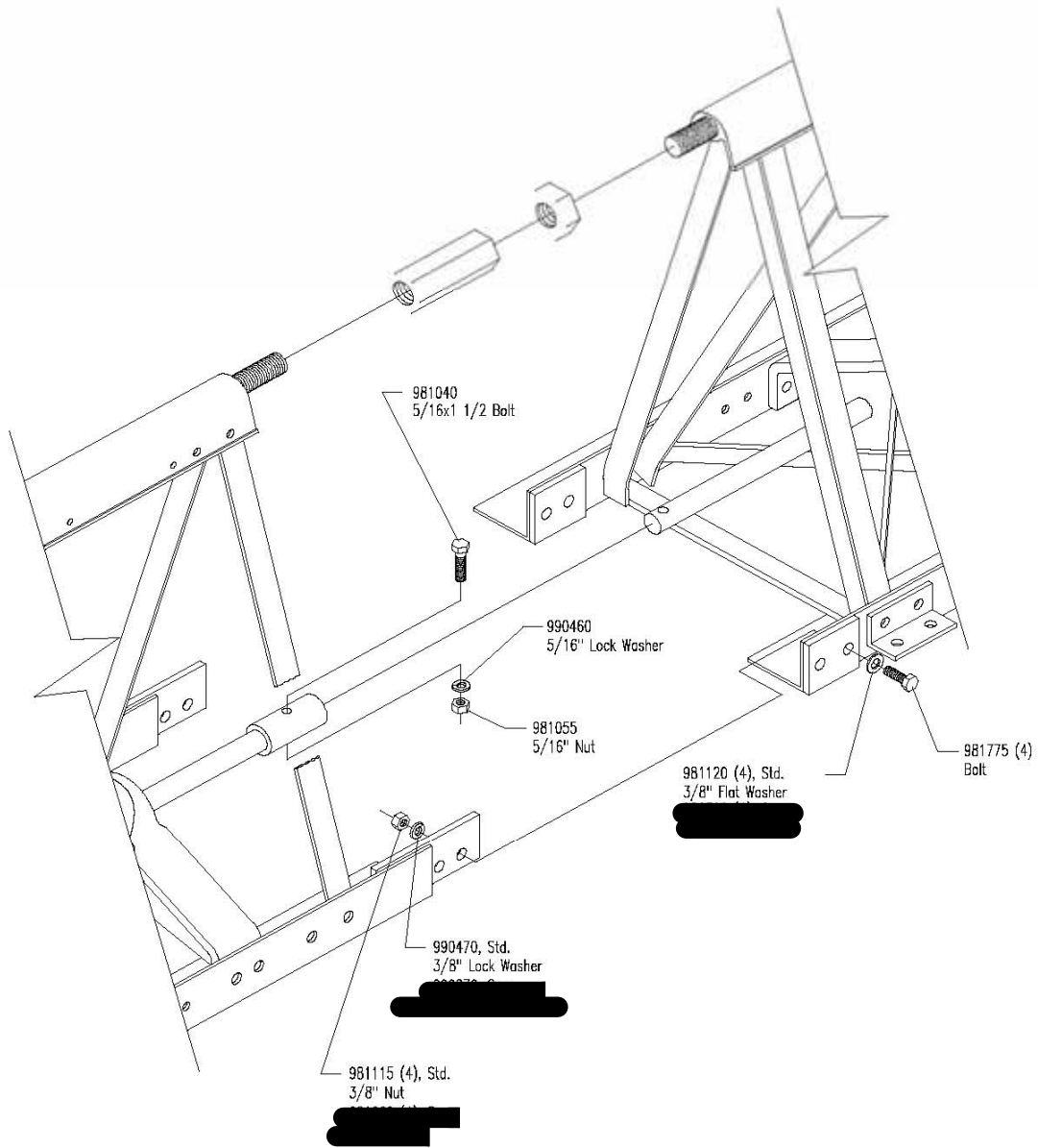


VIBRATORY SCREED INSTRUCTION MANUAL & PARTS BOOK



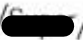
Model: Screed/ [REDACTED] /Standard
 Title: Connecting Hardware

Page: 20

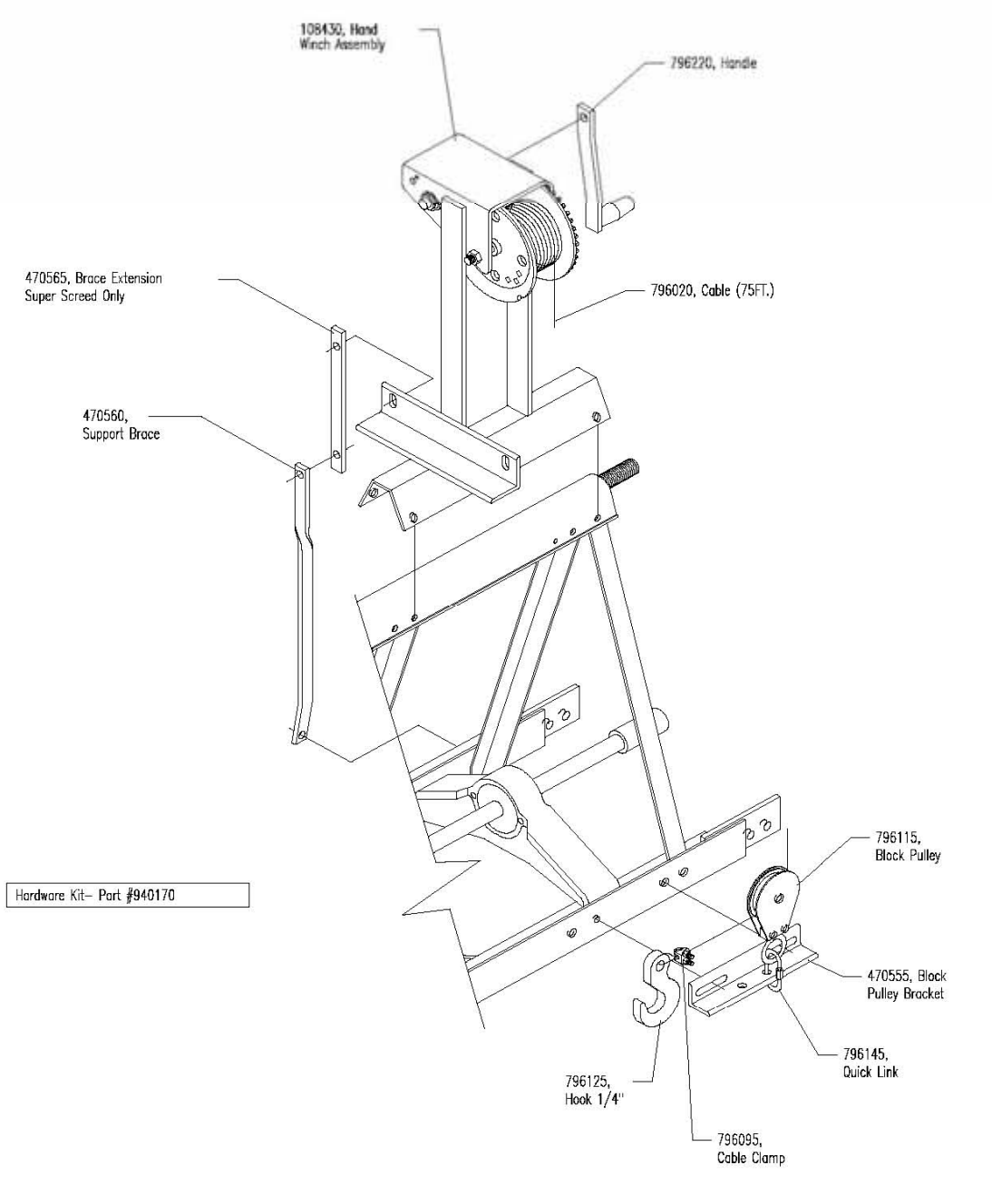


VIBRATORY SCREED INSTRUCTION MANUAL & PARTS BOOK



Model: Screed/  /Standard
Title: Hand Winch Assembly

Page: 21



VIBRATORY SCREED INSTRUCTION MANUAL & PARTS BOOK



Model:

Screed/██████/Standard

Page:

22

Title:

End Adaptor Assy.

