

# **OPERATION AND PARTS MANUAL**



## **MODEL GA-6RE/GA-6REA** **Portable Generators** **(ROBIN GASOLINE ENGINE)**

Revision #0 (06/06/05)

**THIS MANUAL MUST ACCOMPANY  
THE EQUIPMENT AT ALL TIMES.**

## **Multiquip GA-6RE/GA-6REA AC Portable Generators**

Here's How To Get Help .....	3
Table Of Contents .....	4
Parts Ordering Procedures .....	5
Safety Message Alert Symbols .....	6-7
Rules for Safe Operation .....	8-10
Operation and Safety Decals .....	11
Specifications (Generator) .....	12
Specifications (Engine) .....	13
Dimensions .....	14
General Information .....	15
Load Application .....	16
Controls and Indicators .....	17-19
Generator Refueling .....	20
Installation .....	21-22
Pre-Inspection .....	23
Pre-Inspection (Engine) .....	24
Initial Start-up (Engine) .....	25-26
Initial Start-up/Generator Operation .....	27
Generator Operation/Shutdown .....	28
Preparation For Long Term Storage .....	29
Maintenance (Engine) .....	31-32
Maintenance (Battery) .....	33
Wiring Diagram (Generator) .....	34
Troubleshooting (Engine) .....	35-36
Troubleshooting (Generator) .....	37
Explanation of Code In Remarks Column .....	38
Suggested Spare Parts .....	39

## **ROBIN EH-360YS2420 ENGINE**

Air Cleaner Assembly .....	54-55
Crankcase Assembly .....	56-57
Crankshaft and Piston Assembly .....	58-59
Flywheel Assembly .....	60-61
Governor Assembly .....	62-63
Intake Exhaust Assembly .....	64-65
Cooling Starting Assembly .....	66-67
Carburetor Assembly .....	68-69
Starter Assembly .....	70-71
Solenoid Assembly .....	72-73
Terms and Conditions Of Sale — Parts .....	74

## **Component Drawings**

Nameplate and Decals .....	40-41
Generator Assembly .....	42-43
Control Box Assembly (GA-6RE) .....	44-45
Control Box Assembly (GA-6REA) .....	46-47
Muffler Assembly .....	48-49
Pipe Frame Assembly .....	50-51
Battery Assembly .....	52-53

# GA-6RE/GA-6REA — OPERATION AND SAFETY DECALS

## Machine Safety Decals

The GA-6RE/GA-6REA portable generators are equipped with a number of safety decals (Figure 1). These decals are provided for operator safety and maintenance information. The illustration below shows these decals as they appear on the machine. Should any of these decals become unreadable, replacements can be obtained from your dealer.

**MQ MULTIQUIP 6000**

P/N A5561000003



P/N 8700611804



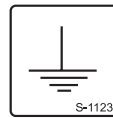
P/N 1980680004



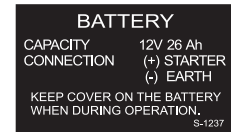
CONTACT  
MQ PARTS DEPT.



P/N 8700611904



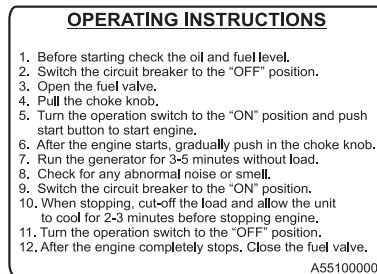
P/N 0800628504



P/N 0800696804



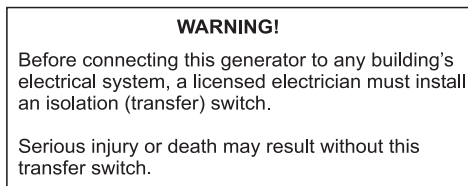
P/N 7900636004



P/N A551000004



P/N 35137



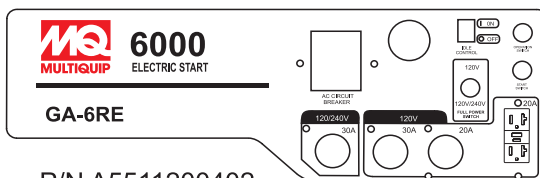
P/N 0820610404



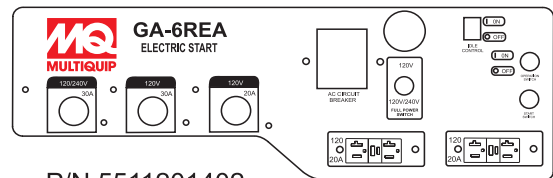
P/N 0800689404



P/N 0800689504



P/N A5511200402



P/N 5511201402

Figure 1. Operation and Safety Decals

## GA-6RE/GA-6REA — SUGGESTED SPARE PARTS

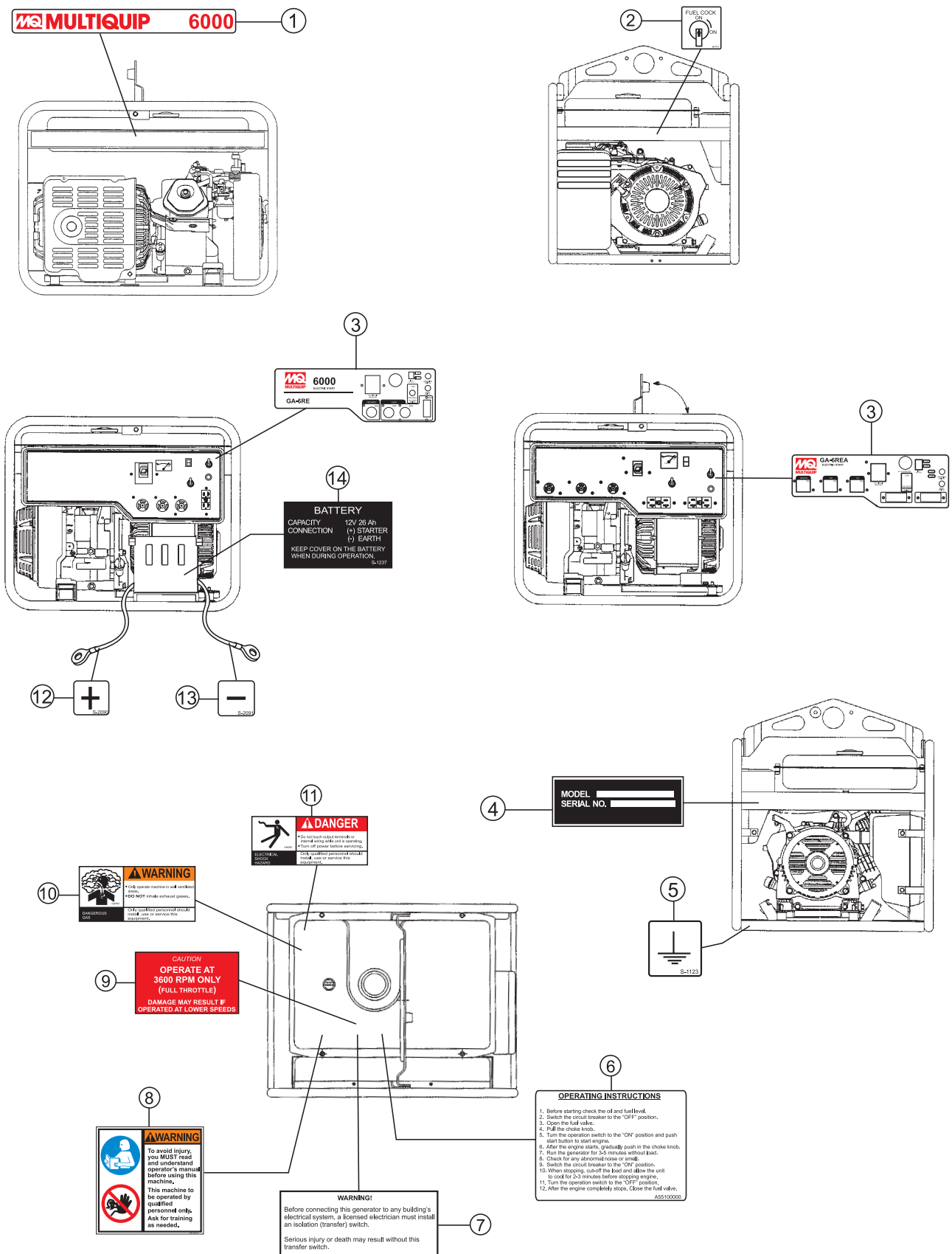
GA-6RE/GA-6REA 1 TO 3 UNITS WITH ROBIN  
EH-360YS2420 ENGINE

### *1 to 3 Units*

<u>Qty.</u>	<u>P/N</u>	<u>Description</u>
1	A9924800014	CAP FUEL TANK
1	A9924800004	FILTER FUEL
2	3015419604	RUBBER SUSPENSION
2	D9312600204	RUBBER SUSPENSION
3	0650140150	SPARK PLUG
2	2265011308	ROPE, RECOIL
3	2673266118	ELEMENT AIR CLEANER
3	0642000220	FILTER, FUEL STRAINER
3	0601802137	FUSE, 10 AMP

# GA-6RE/GA-6REA — NAMEPLATE AND DECALS.

## NAME PLATE ASSY.



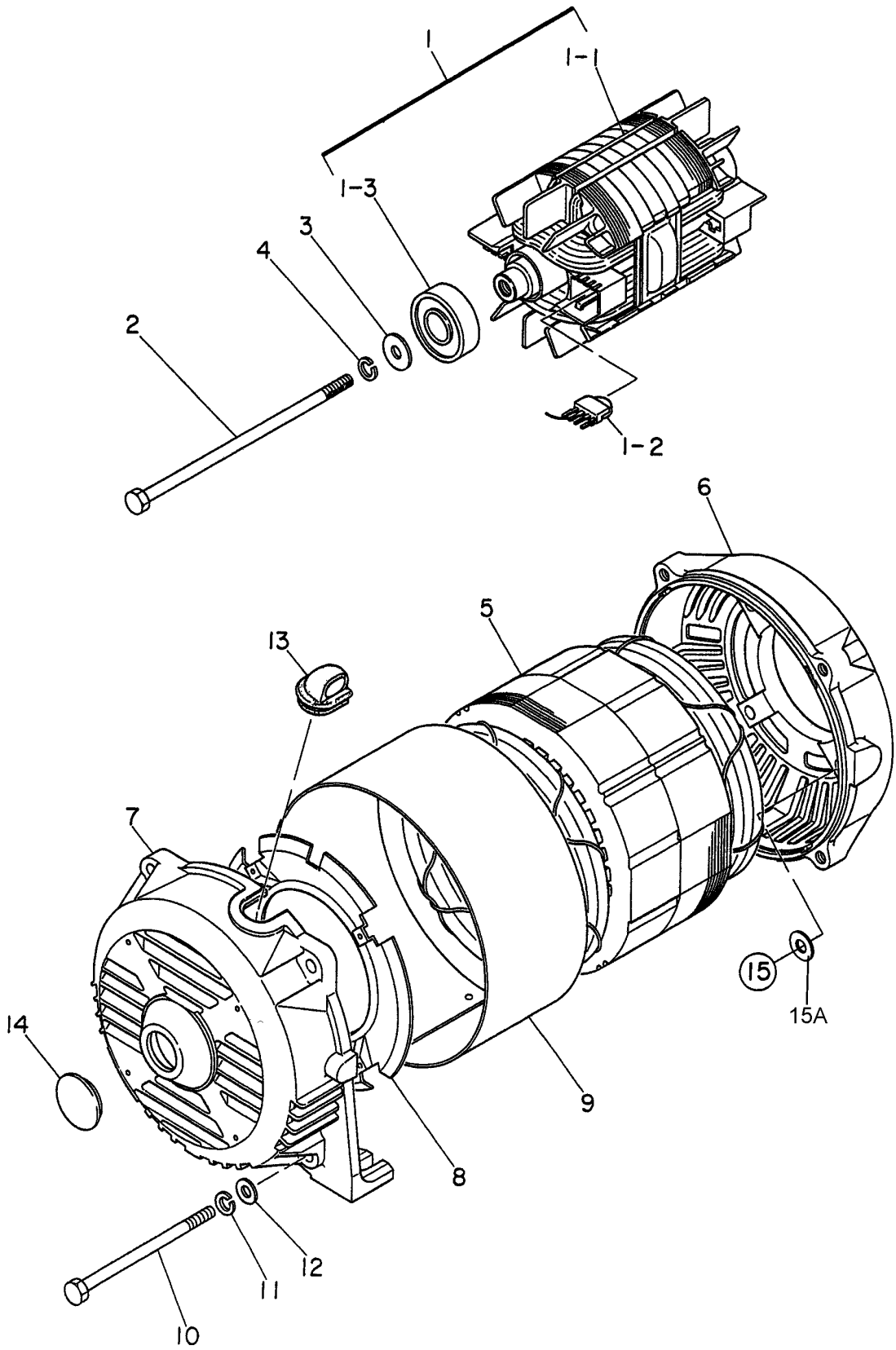
# GA-6RE/GA-6REA — NAMEPLATE AND DECALS.

NAME PLATE ASSY.

<u>NO.</u>	<u>PART NO.</u>	<u>PART NAME</u>	<u>QTY.</u>	<u>REMARKS</u>
1	A5561000003	DECAL; MQ MULTIQUIP 6000	1	
2	1630680104	DECAL; FUEL COCK .....	1	S-1407
3	A5511200402	DECAL; CONTROL PANEL .....	1	GA-6RE, A51120040
3	A5511201402	DECAL; CONTROL PANEL .....	1	GA-6REA, A51120140
4		NAMEPLATE .....	1	CONTACT MQ PARTS DEPT.
5	0800628504	DECAL; GROUND .....	1	S-1123
6	A5551000004	DECAL; OPERATING INSTRUCTIONS .....	1	A55100000
7	0820610404	DECAL; WARNING .....	1	S-3627
8	35137	DECAL; WARNING	1	
9	7900636004	DECAL; CAUTION OPER. AT 3600 RPM ONLY .....	1	S-4461
10	8700611804	DECAL; WARNING DANGEROUS GAS .....	1	S-4984
11	8700611904	DECAL; DANGER ELECTRICAL SHOCK HAZ. ....	1	S-4985
12	0800689404	DECAL; POSITIVE (+) .....	1	S-2090
13	0800689504	DECAL; NEGATIVE (-) .....	1	S-2091
14	0800696604	DECAL; BATTERY .....	1	S-1237

# GA-6RE/GA-6REA — GENERATOR ASSY.

GENERATOR ASSY.



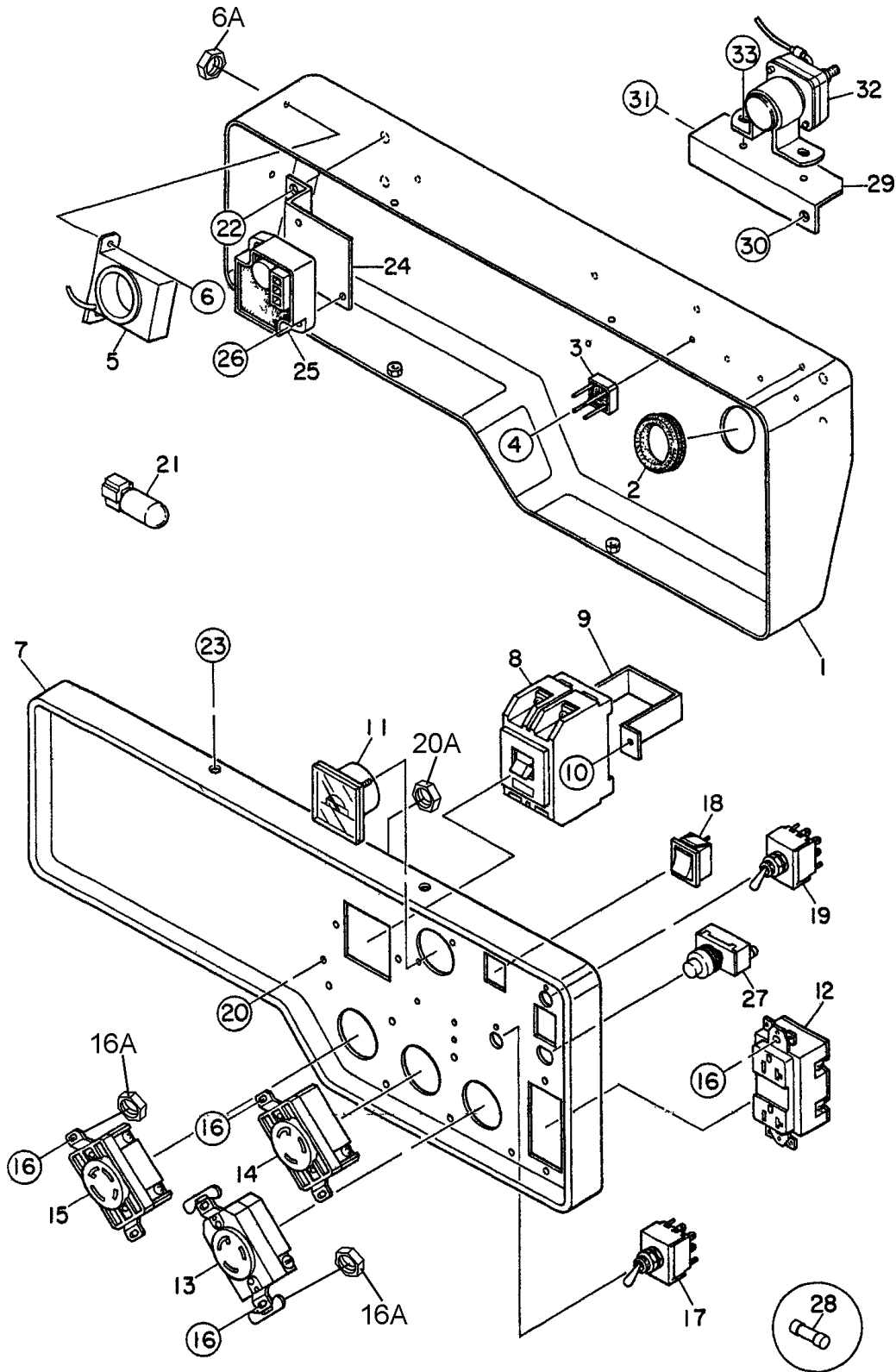
# GA-6RE/GA-6REA — GENERATOR ASSY.

## GENERATOR ASSY.

<u>NO.</u>	<u>PART NO.</u>	<u>PART NAME</u>	<u>QTY.</u>	<u>REMARKS</u>
1	7901002503	ROTOR ASSY.....	1	INCLUDES ITEMS W/*
1-1*		FIELD ASSY.....	1	NOT SOLD SEPERATELY
1-2*	0601823213	RECTIFIER, D3SB80	2	
	0601822638	SURGE ABSORBER,.....	2	TNR15G431K
1-3*	0071706304	BEARING, 6304 2RU NYCM	1	
2	7901017004	SET BOLT, ROTOR	1	
3	0801086104	SET WASHER, BEARING	1	
4	0040010000	SPRING WASHER	1	
5	A5135000003	ARMATURE ASSY.	1	
6	7901315502	END BRACKET	1	
7	7871315022	END BRACKET	1	
8	7875021523	GUIDE PANEL, AIR	1	
9	7871331003	COVER	1	
10	7901316004	SET BOLT, STATOR	4	
11	0040008000	SPRING WASHER	4	
12	0041208000	PLAIN WASHER	4	
13	7871329514	GROMMET	1	
14	0601851760	CAP, 0B-13	1	
15	0012808020	HEX, HEAD BOLT	4	
15A	0040008000	SPRING WASHER	4	

# GA-6RE — CONTROL BOX ASSY.

CONTROL BOX ASSY. (GA-6RE)



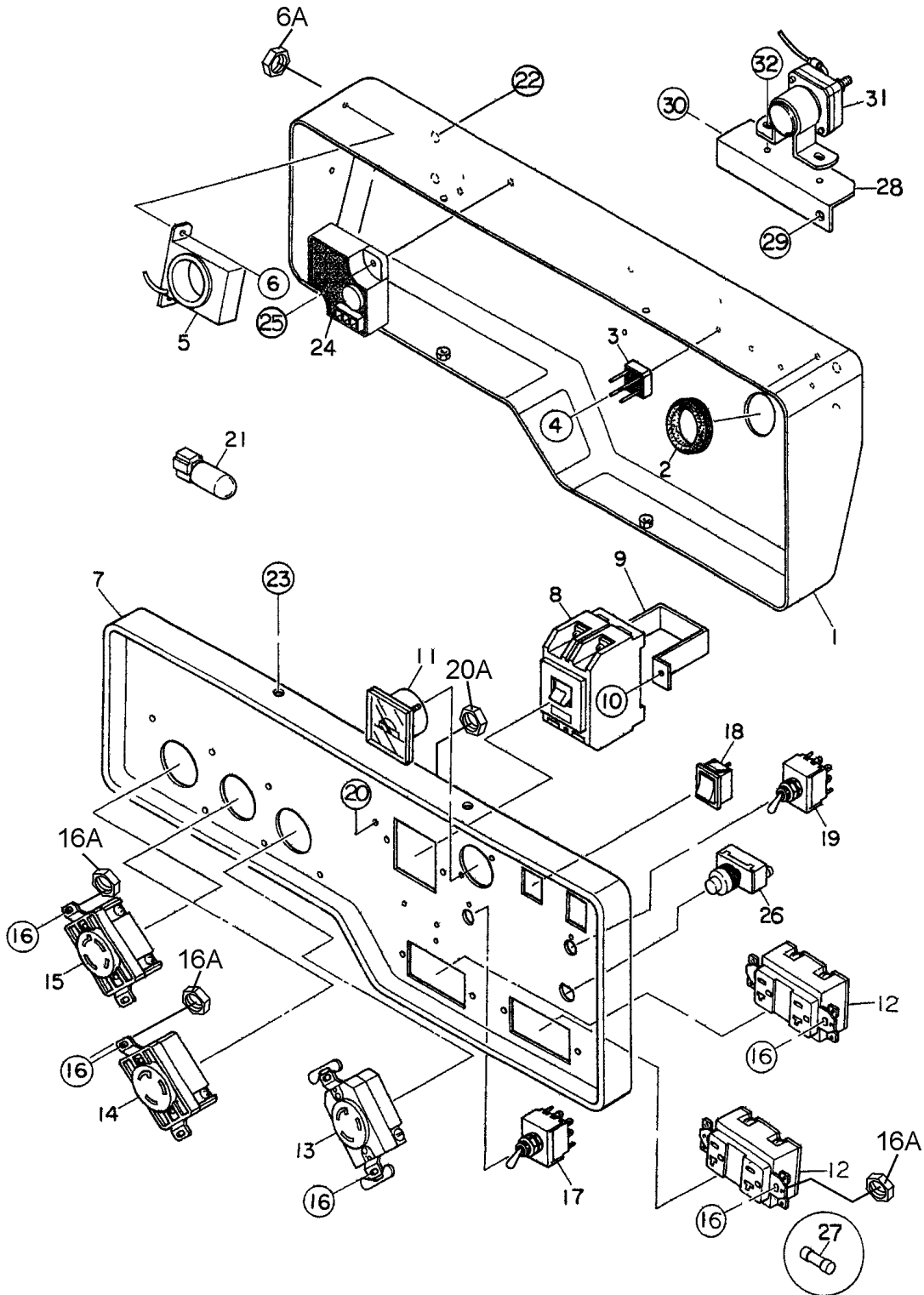
# GA-6RE — CONTROL BOX ASSY.

## CONTROL BOX ASSY. (GA-6RE)

<u>NO.</u>	<u>PART NO.</u>	<u>PART NAME</u>	<u>QTY.</u>	<u>REMARKS</u>
1	A3214000003	CONTROL BOX	1	
2	0601850102	GROMMET, G-3	1	
3	0601823204	RECTIFIER, S5VB60	2	
4	0027103012	MACHINE SCREW	2	
5	0601823853	SLOW DOWN UNIT, ND-80	1	
6	0027104010	MACHINE SCREW	2	
6A	0207004000	HEX, NUT	2	
7	A3224000003	CONTROL PANEL	1	
8	0601804819	CIRCUIT BREAKER, KM-2 21A	1	
9	4341817004	BRACKET, CIRCUIT BREAKER	1	
10	0021004010	MACHINE SCREW	2	
11	0601806819	AC VOLTMETER, DE450-011 0~120/240V	1	
12	0601812598	RECEPTACLE, 5-20R	1	
13	0601812592	RECEPTACLE, L5-20R	1	
14	0601811035	RECEPTACLE, L5-30R	1	
15	0601812529	RECEPTACLE, L14-30R	1	
16	0021004010	MACHINE SCREW	8	
16A	0207004000	HEX, NUT	8	
17	0601830737	FULL POWER SWITCH, ET-330D12	1	
18	0601831620	IDLE CONTROL SWITCH, C1550WA	1	
19	0601830737	OPERATION SWITCH, ET-330D12	1	
20	0021004015	MACHINE SCREW	1	
20A	0207004000	HEX, NUT	1	
21	A3262800004	CAPACITOR ASSY., VR1H102MHA, 50V 1000 $\mu$ F	1	
22	0017106016	HEX, HEAD BOLT	4	
23	0017105010	HEX, HEAD BOLT	4	
24	A5352600004	BRACKET	1	
25	0602210870	FUEL CONTROL UNIT	1	
26	0027105020	MACHINE SCREW	2	
27	0602100102	START SWITCH	2	
28	0601802137	FUSE, 10 AMP	1	
29	A5352600104	BRACKET	1	
30	0017106016	HEX HEAD BOLT	1	
31	0017108020	HEX HEAD BOLT	1	
32	0602201460	RELAY	1	
33	0017105016	HEX.HEAD BOLT	2	

# GA-6REA — CONTROL BOX ASSY.

CONTROL BOX ASSY. (GA-6REA)



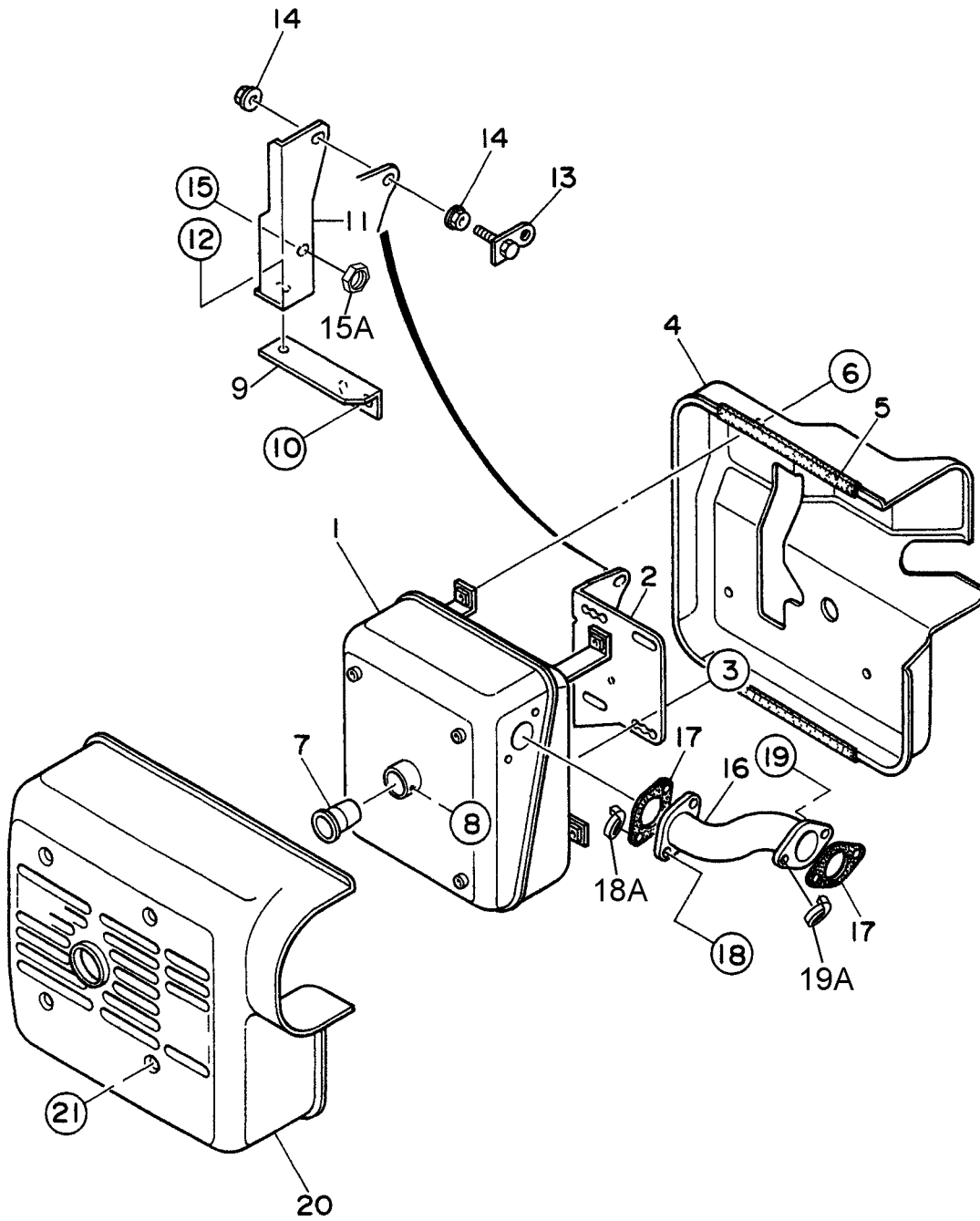
# GA-6REA — CONTROL BOX ASSY.

## CONTROL BOX ASSY. (GA-6REA)

<u>NO.</u>	<u>PART NO.</u>	<u>PART NAME</u>	<u>QTY.</u>	<u>REMARKS</u>
1	A3214000103	CONTROL BOX	1	
2	0601850102	GROMMET, G-3	1	
3	0601823204	RECTIFIER, S5VB60	2	
4	0027103012	MACHINE SCREW	2	
5	0601823853	SLOW DOWN UNIT, ND-80	1	
6	0027104010	MACHINE SCREW	2	
6A	0207004000	HEX, NUT	2	
7	A3224000103	CONTROL PANEL	1	
8	0601804819	CIRCUIT BREAKER, KM-2 21A	1	
9	4341817004	BRACKET, CIRCUIT BREAKER	1	
10	0021004010	MACHINE SCREW	2	
11	0601806819	AC VOLTMETER, DE450-011 0~120/240V	1	
12	0601812598	RECEPTACLE, 5-20R	2	
13	0601812592	RECEPTACLE, L5-20R	1	
14	0601811035	RECEPTACLE, L5-30R	1	
15	0601812529	RECEPTACLE, L14-30R	1	
16	0021004010	MACHINE SCREW	8	
16A	0207004000	HEX, NUT	8	
17	0601830737	FULL POWER SWITCH, ET-330D12	1	
18	0601831620	IDLE CONTROL SWITCH, C1550WA	1	
19	0601830737	OPERATION SWITCH, ET-330D12	1	
20	0021004015	MACHINE SCREW	1	
20A	0207004000	HEX, NUT	1	
21	A3262800004	CAPACITOR ASSY., VR1H102MHA, 50V 1000 $\mu$ F	1	
22	0017106016	HEX, HEAD BOLT	4	
23	0017105010	HEX, HEAD BOLT	4	
24	0602210870	FUEL CONTROL UNIT	1	
25	0027105020	MACHINE SCREW	2	
26	0602100102	START SWITCH	2	
27	0601802137	FUSE, 10 AMP	1	
28	A5352600104	BRACKET	1	
29	0017106016	HEX HEAD BOLT	1	
30	0017108020	HEX HEAD BOLT	1	
31	0602201460	RELAY	1	
32	0017105016	HEX.HEAD BOLT	2	

# GA-6RE/GA-6REA — MUFFLER ASSY.

MUFFLER ASSY.



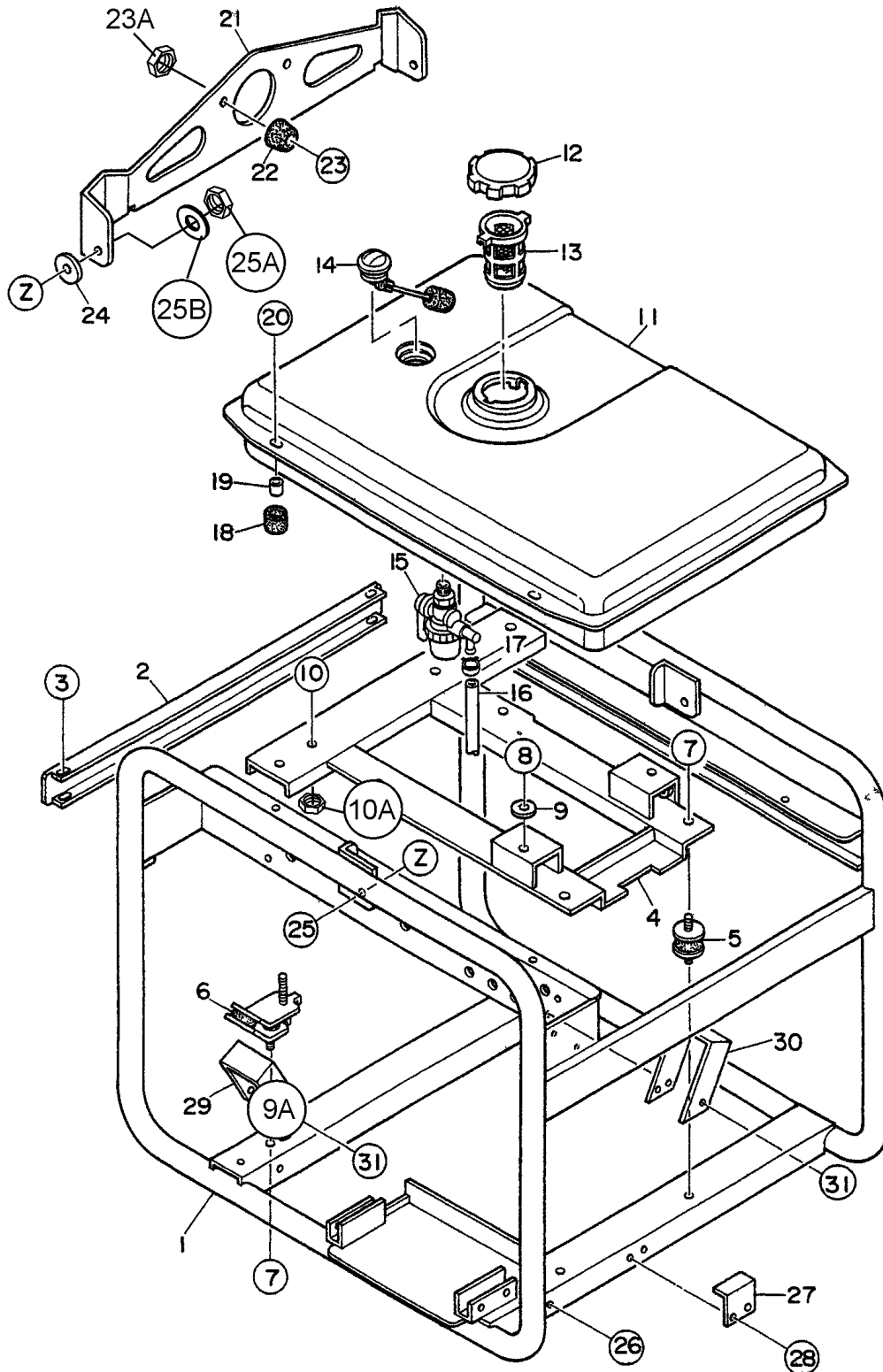
## GA-6RE/GA-6REA — MUFFLER ASSY.

### MUFFLER ASSY.

<u>NO</u>	<u>PART NO</u>	<u>PART NAME</u>	<u>QTY.</u>	<u>REMARKS</u>
1	0602300360	MUFFLER	1	
2	0602302021	BRACKET	1	
3	0602323061	HEX NUT	4	
4	0602302023	COVER	1	
5	0602302022	SEAL RUBBER	2	
6	0602322071	HEX HEAD BOLT	4	
7	0602300411	ARRESTER, SPARK	1	
8	0602322070	TAPPING SCREW	1	
9	A5331400104	BRACKET	1	
10	0017108020	HEX HEAD BOLT	2	
11	A5331400004	BRACKET	1	
12	0017108020	HEX HEAD BOLT	1	
13	A5331400304	BRACKET	1	
14	0207008000	HEX NUT	2	
15	0017108025	HEX HEAD BOLT	1	
15A	0207008000	HEX NUT	1	
16	0602312050	EXHAUST PIPE	1	
17	0602320172	GASKET	2	
18	0602322072	HEX HEAD BOLT	2	
18A	0602323161	WASHER, LOCK	2	
19	0602323062	HEX NUT	2	
19A	0602323160	WASHER, LOCK	2	
20	0602302020	COVER	1	
21	0602322071	HEX HEAD BOLT	4	

# GA-6RE/GA-6REA — PIPE FRAME ASSY.

## PIPE FRAME ASSY.



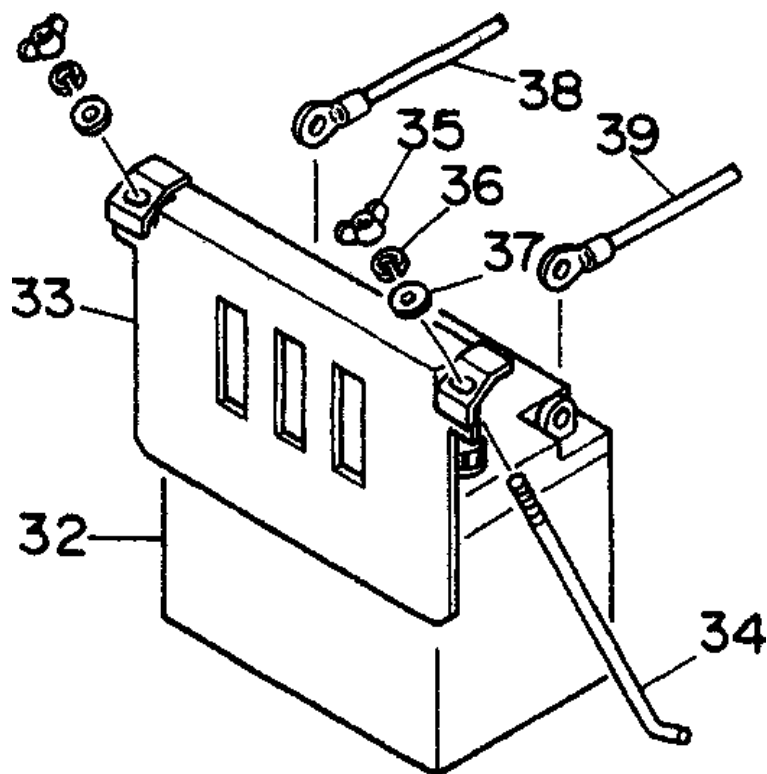
## GA-6RE/GA-6REA — PIPE FRAME ASSY.

### PIPE FRAME ASSY.

<u>NO.</u>	<u>PART NO.</u>	<u>PART NAME</u>	<u>QTY.</u>	<u>REMARKS</u>
1	A5417000202	PIPE FRAME .....	1	GA-6RE
1	A5417000602	PIPE FRAME .....	1	GA-6REA
2	A3417100006	BRACKET	1	
3	0017106016	HEX, HEAD BOLT	4	
4	A5417700203	BASE	1	
5	3015419604	RUBBER SUSPENSION	2	
6	D9312600204	RUBBER SUSPENSION	2	
7	0207008000	HEX, NUT	8	
8	0017108030	HEX, HEAD BOLT	2	
9	0801086004	SET WASHER	2	
10	0017108040	HEX, HEAD BOLT	2	
10A	0207008000	HEX, NUT	2	
11	A4364000002	FUEL TANK	1	
12	A9924800014	CAP, FUEL TANK	1	
13	A9924800004	FUEL FILTER	1	
14	0602125034	FUEL GAUGE	1	
15	06424008900	FUEL STRAINER .....	1	REPLACES P/N 065510024
16	0605513028	HOSE	1	
17	0605515062	HOSE BAND	1	
18	7855525514	RUBBER CUSHION	4	
19	7855525604	COLLAR	4	
20	0017108030	BOLT HEX HEAD	4	
21	A9117200103	HANGER	1	
22	0601850097	STOPPER, 30029	1	
23	0021008025	MACHINE SCREW	1	
23A	0038408000	HEX, NUT	1	
24	0601851116	PLASTIC WASHER	2	
25	0011308025	HEX, HEAD BOLT	2	
25A	0037908000	HEX, NUT	2	
25B	0042108000	PLAIN WASHER	2	
26	0017106016	HEX, HEAD BOLT	1	
27	7915456004	STOPPER	1	
28	0017106016	HEX, HEAD BOLT	2	
29	7915455103	COVER	1	
30	A5417400003	COVER	1	
31	0017106016	HEX, HEAD BOLT	6	

# GA-6RE/GA-6REA — BATTERY ASSY.

BATTERY ASSY.

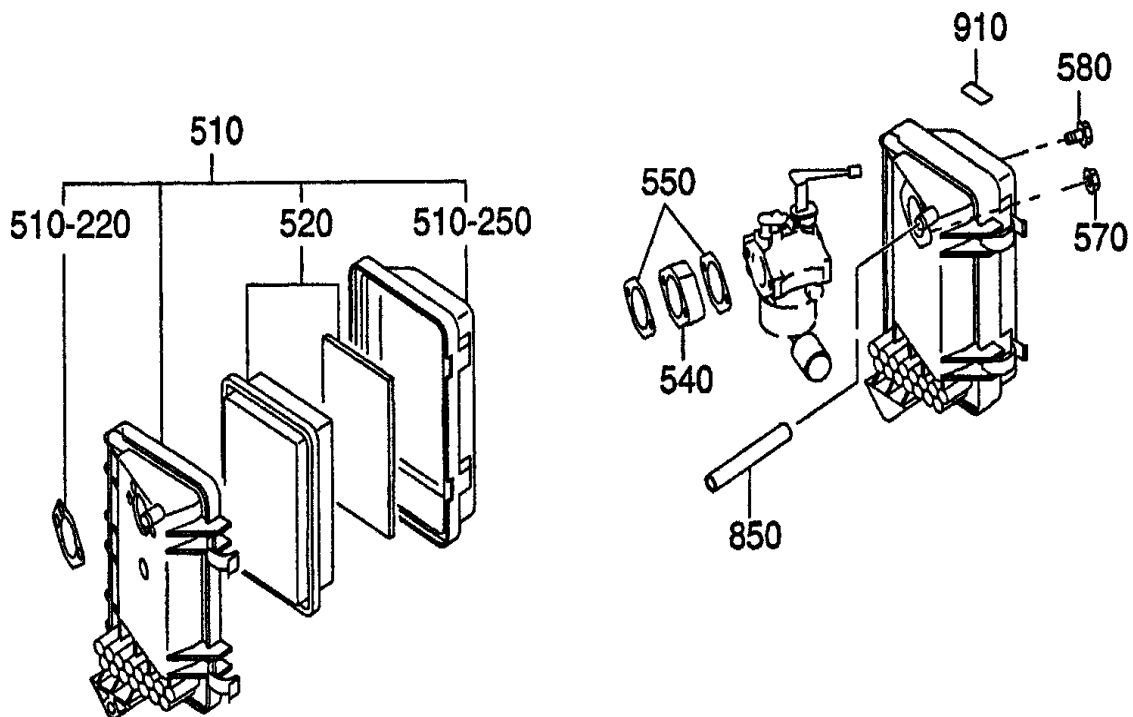


## GA-6RE/GA-6REA — BATTERY ASSY.

BATTERY ASSY.

<u>NO.</u>	<u>PART NO.</u>	<u>PART NAME</u>	<u>QTY.</u>	<u>REMARKS</u>
32		BATTERY .....	1 .....	PURCHASE LOCALLY
33	7905458103	BATTERY BAND	1	
34	A5344200004	BATTER BOLT	2	
35	0037806000	WING NUT	2	
36	0040006000	SPRING NUT	2	
37	0041206000	WASHER, FLAT	2	
38	A5347000104	BATTERY CABLE	1	
39	A5347000004	BATTERY CABLE	1	

# ROBIN EH-360YS2420 ENGINE — AIR CLEANER ASSY.



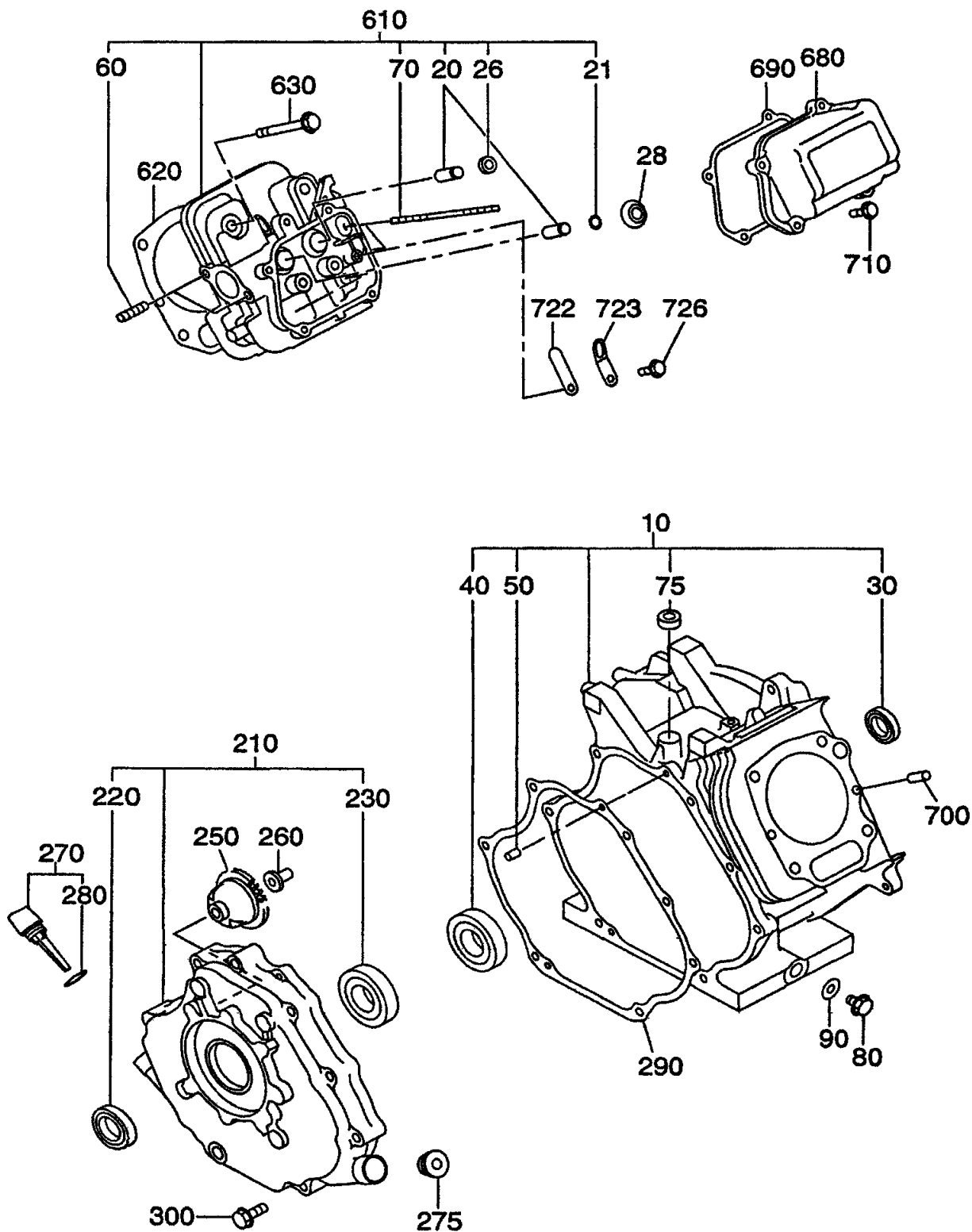
# ROBIN EH-360YS2420 ENGINE — AIR CLEANER ASSY.

AIR CLEANER ASSY.

<u>NO.</u>	<u>PART NO.</u>	<u>PART NAME</u>	<u>QTY.</u>	<u>REMARKS</u>
510	2673260820	AIR CLEANER ASSY. ....	1	INCLUDES ITEMS W/*
510-220*	2673272108	GASKET	1	
510-250*	2673264008	CLEANER COVER CP	1	
510-520*	2673266118	AIR CLEANER ASSY.	1	
540	2673290103	INSULATOR .....	1	T=15 26.5D 6.5DX46P
550	26735901A3	GASKET (INSULATOR) .....	2	T=0.4 26.5D 6.5DX46P
570	0023806000	FLANGE NUT	2	
580	0010406160	FLANGE BOLT	2	
850	2671700103	RUBBER PIPE	1	
910	0732004430	LABEL (CHOKE)	1	

# ROBIN EH-360YS2420 ENGINE — CRANKCASE ASSY.

CRANKCASE ASSY.



# ROBIN EH-360YS2420 ENGINE — CRANKCASE ASSY.

## CRANKCASE ASSY.

<u>NO.</u>	<u>PART NO.</u>	<u>PART NAME</u>	<u>QTY.</u>	<u>REMARKS</u>
10	2671010411	CRANKCASE CP .....	1	INCLUDES ITEMS W/%
	2671010511	EH360YS2420	1	
20*	2631421103	VALVE GUIDE	2	
21*	0565100050	CLIP	1	
26*	13207AA050	SEAL-INT VALVE	1	
28	2633534103	RETAINER PLATE	1	
30%	0440350090	OIL SEAL	1	
40%	0600350010	BALL BEARING	1	
50%	0310060020	DOWEL PIN	2	
60	0105080290	STUD, M8X1.25X30L	2	
70*	0105060251	STUD, M6X1.0X98L	2	
75	0440080010	OIL SEAL	1	
80	0401140030	PLUG, M14X1.5X20DX12L	2	
90	0211140020	GASKET	2	
210	2671100301	MAIN BEARING COVER C .....	1	INCLUDES ITEMS W/#
220#	0440350090	OIL SEAL	1	
230#	0600350010	BALL BEARING	1	
250	2674500101	GOVERNOR GEAR CP	1	
260	2054190103	GOVERNOR SLEEVE	1	
270	2246360101	OIL GAUGE CP .....	1	INCLUDES ITEMS W/ +
275	0420220010	PLUG (RUBBER)	1	
280+	0213200050	GASKET	1	
290	2671510113	GASKET (BEARING COVER)	1	
300	2671999903	FLANGE BOLT, M8X1.25X17DX40L	7	
610	2671300331	CYLINDER HEAD CP .....	1	INCLUDES ITEMS W/*
620	2671500113	GASKET (HEAD)	1	
630	0110100030	FLANGE BOLT, M10X1.25X19DX65L	4	
680	2671550111	ROCKER COVER CP	1	
690	2671520113	GASKET (ROCKER COVER)	1	
700	0310060020	DOWEL PIN	2	
710	0110060130	FLANGE BOLT, M6X1.0X14DX25L	4	
722	26716001A3	LEAF VALVE	1	
723	26716101A3	RETAINER PLATE	1	
726	0110060010	FLANGE BOLT, M6X1.0X14DX8L	1	



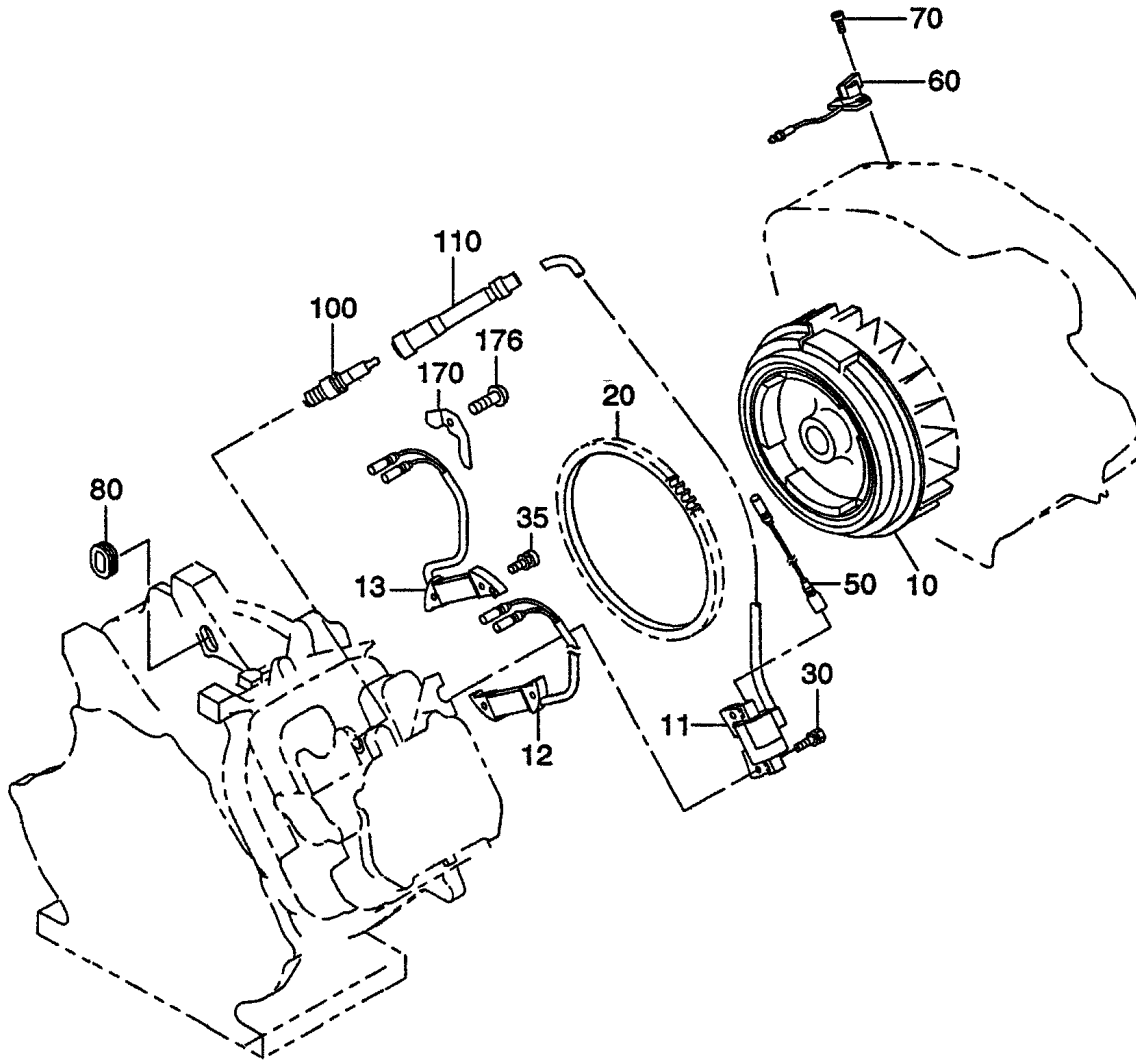
# ROBIN EH-360YS2420 ENGINE — CRANKSHAFT AND PISTON ASSY.

## CRANKSHAFT AND PISTON ASSY.

<u>NO.</u>	<u>PART NO.</u>	<u>PART NAME</u>	<u>QTY.</u>	<u>REMARKS</u>
10	2672070201	CRANKSHAFT CP	1	
40	0230350160	SPACER, 35.3DX45DX0.6T	1	
41	0230350170	SPACER, 35.3DX45DX0.8T	1	
42	0230350180	SPACER, 35.3DX45DX1.0T	1	
50	0021818000	NUT	1	
60	0032018000	SPRING WASHER	1	
65	0031018000	WASHER	1	
70	0053205401	WOODRUFF KEY	1	
310	2672250110	CONNECTING ROD ASSY.....	1	INCLUDES ITEMS W/*
320*	0010508400	FLANGE BOLT	2	
350	2632330103	PISTON PIN	1	
360	2672340103	PISTON, STD.	1	
361	2672340203	PISTON, 0.25 O.S.	1	
362	2672340303	PISTON, 0.50 O.S.	1	
370	2672350107	PISTON RING SET, STD.	1	
371	2672350207	PISTON RING SET, 0.25 O.S.	1	
372	2672350307	PISTON RING SET, 0.50 O.S.	1	
380	0565210020	CLIP	2	

# ROBIN EH-360YS2420 ENGINE — FLYWHEEL ASSY.

FLYWHEEL ASSY.



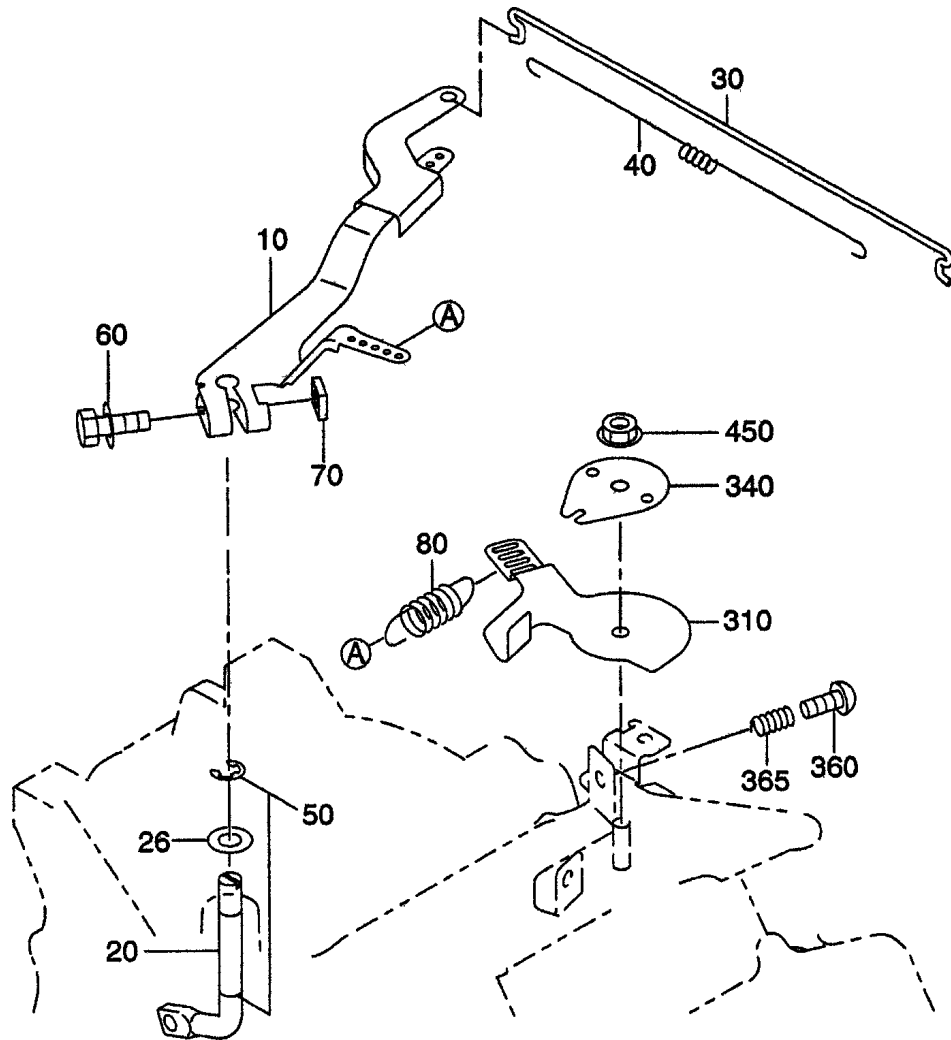
# ROBIN EH-360YS2420 ENGINE — FLYWHEEL ASSY.

## FLYWHEEL ASSY.

<u>NO.</u>	<u>PART NO.</u>	<u>PART NAME</u>	<u>QTY.</u>	<u>REMARKS</u>
10	2677920211	FLYWHEEL CP	1	
11	2677940121	IGNITION COIL CP	1	
12	2677960501	EXCITER COIL CP	1	
13	2677960301	EXCITER COIL CP	1	
20	2677100203	RING GEAR, D 180DX217DX7B N=85	1	
30	0011406250	BOLT & WASHER AY	2	
35	0043506200	SCREW & WASHER AY	4	
50	2677310101	WIRE 1 CP, L=330 BLACK	1	
60	0660000361	SWITCH AY	1	
70	0150040090	TAPPING SCREW, M4X12L	2	
80	2267550103	GROMMET, 8DX12DX7.5H	1	
100	0650140480	SPARK PLUG, NGK BPR6ES	1	
110	0655000131	SPARK PLUG CAP	1	
170	2467550201	CLAMP	1	
176	0043106080	SCREW, PAN HEAD	1	

# ROBIN EH-360YS2420 ENGINE — GOVERNOR ASSY.

GOVERNOR ASSY.



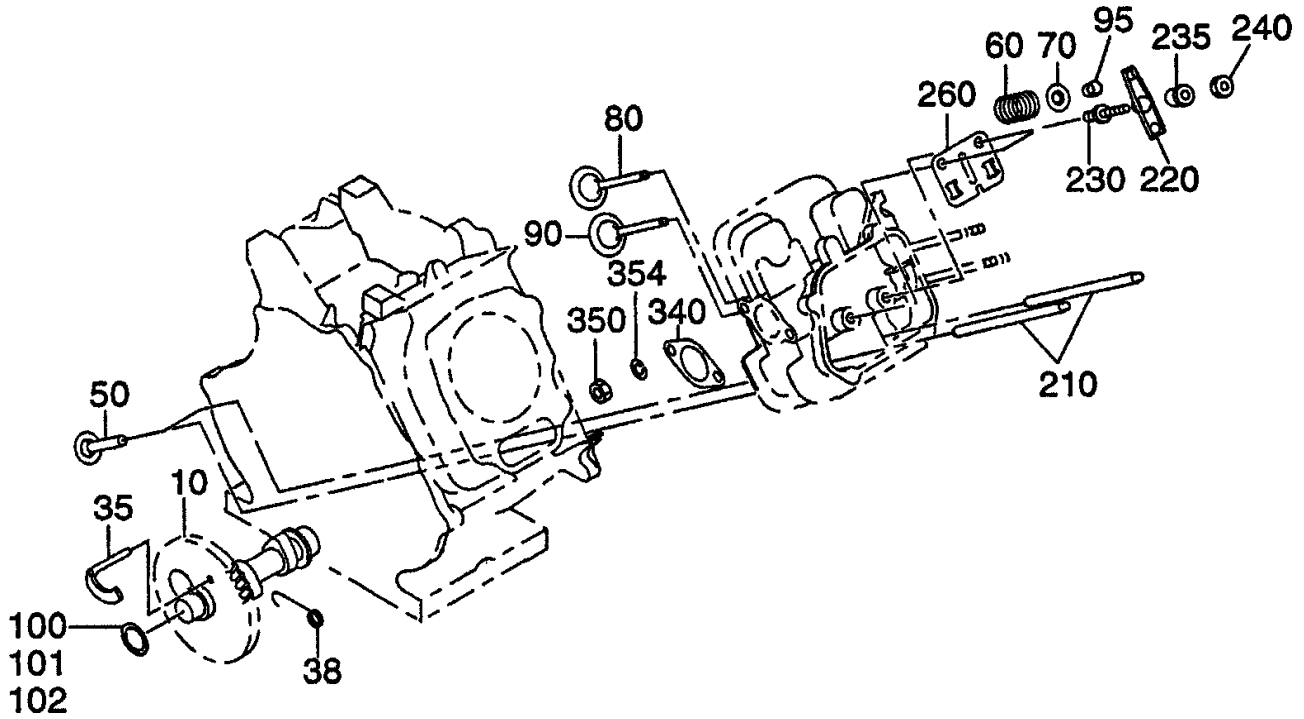
## ROBIN EH-360YS2420 ENGINE — GOVERNOR ASSY.

### GOVERNOR OPERATION ASSY.

<u>NO.</u>	<u>PART NO.</u>	<u>PART NAME</u>	<u>QTY.</u>	<u>REMARKS</u>
10	2674230311	GOVERNOR LEVER CP	1	
20	2674220103	GOVERNOR SHAFT	1	
26	0031108000	WASHER	1	
30	2674270101	GOVERNOR ROD CP	1	
40	2674280113	ROD SPRING, 5.7DX0.4DX148L N=30	1	
50	0031306000	CLIP	2	
60	0011406300	BOLT AND WASHER AY	1	
70	0186060020	NUT, M6X1.0X4.9H SQUARE	1	
80	2674250201	GOVERNOR SPRING CP, 12.5DX1.4DX40L N=13	1	
310	2674331003	SPEED CONTROL LEVER	1	
340	2274350113	STOP PLATE	1	
360	0043104250	SCREW	2	
365	2304900313	SPRING (ADJUSTER), 60X0.6DX17L N=7	1	
450	0176060020	SELF LOCK NUT, M6X1.0X13DX6.9H	1	

# ROBIN EH-360YS2420 ENGINE — INTAKE AND EXHAUST ASSY.

INTAKE AND EXHAUST ASSY.



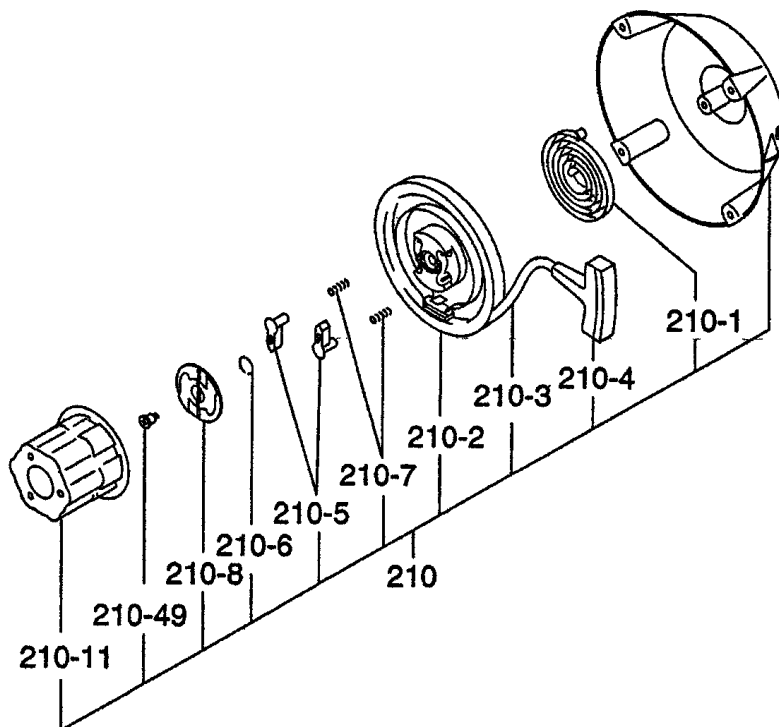
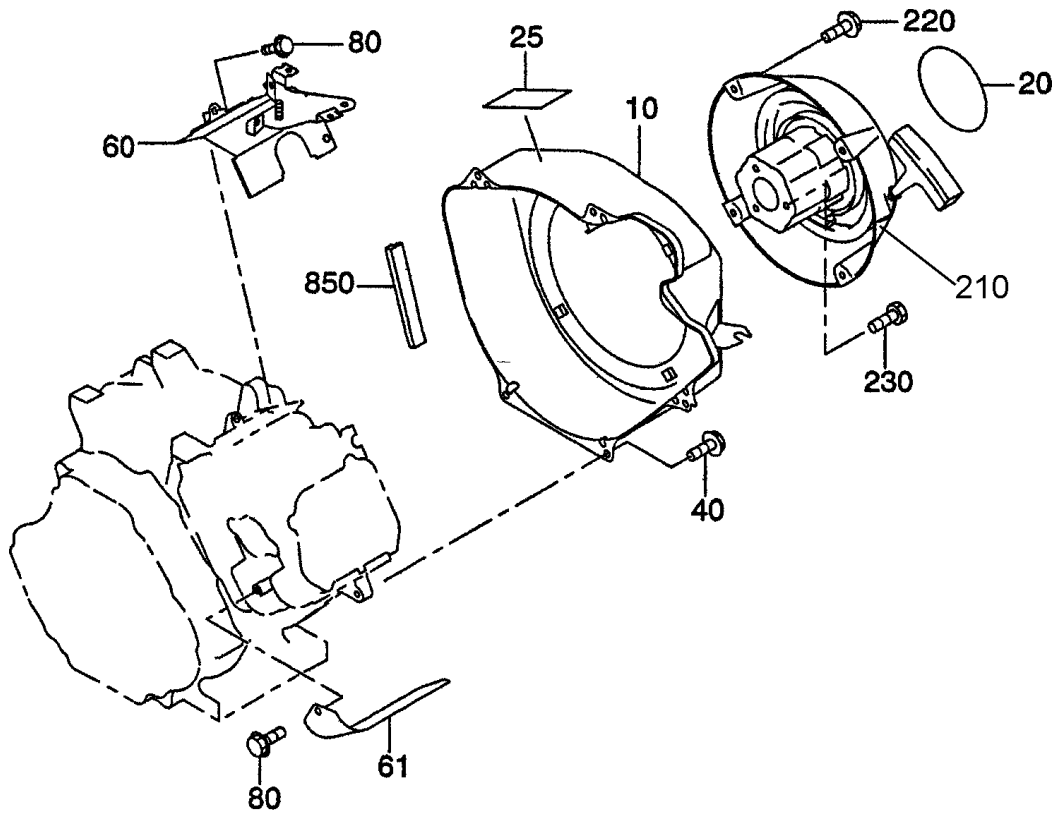
## ROBIN EH-360YS2420 ENGINE — INTAKE AND EXHAUST ASSY.

### INTAKE AND EXHAUST ASSY.

<u>NO.</u>	<u>PART NO.</u>	<u>PART NAME</u>	<u>QTY.</u>	<u>REMARKS</u>
10	2673170101	CAMSHAFT CP	1	
35	2463620111	RELEASE LEVER CP	1	
38	2463670103	RETURN SPRING	1	
50	2393330113	TAPPET	2	
60	2463361103	VALVE SPRING	2	
70	2463371113	SPRING RETAINER	2	
80	2633340103	INTAKE VALVE	1	
90	2633350213	EXHAUST VALVE	1	
95	2463550103	COLLET-VALVE	4	
100	0230220050	SPACER, 22.2DX32.5DX0.6T	1	
101	0230220060	SPACER, 22.2DX32.5DX0.7T	1	
102	0230220070	SPACER, 22.2DX32.5DX0.8T	1	
210	26735301C1	PUSH ROD CP	2	
220	2673610113	ROCKER ARM	2	
230	2613580113	BOLT (PIVOT)	2	
235	2673570103	PIVOT	2	
240	0170060110	NUT, M6X0.75X3.6H	2	
260	26736501A3	GUIDE PLATE	1	
310	31H1100101	MUFFLER CP	1	
315	2673760101	SPARK ARRESTER CP	1	
317	0150040060	TAPPING SCREW, M4X6L	1	
320	31H1200101	MUFF COVER (FRONT) CP	1	
321	2673421101	MUFF COVER (REAR) CP	1	
330	31H1500203	MUFFLER BRACKET	1	
340	2703520101	GASKET CP (MUFFLER)	1	
350	0170080030	NUT, M8X1.25X6.5H	2	
354	0032008000	SPRING WASHER		

# ROBIN EH-360YS2420 ENGINE — COOLING STARTING ASSY.

COOLING STARTING ASSY.



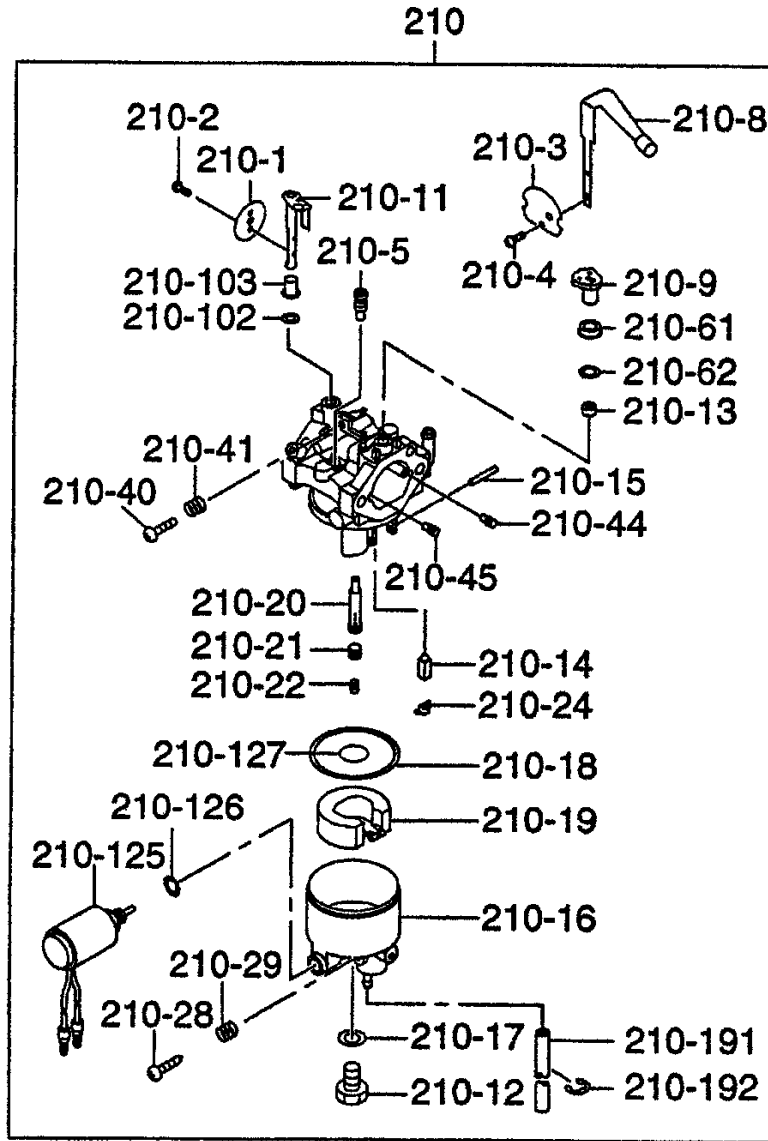
# ROBIN EH-360YS2420 ENGINE — COOLING STARTING ASSY.

## COOLING STARTING ASSY.

<u>NO.</u>	<u>PART NO.</u>	<u>PART NAME</u>	<u>QTY.</u>	<u>REMARKS</u>
10	2675126301	BLOWER HOUSING CP (D BLACK)	1	
20	2669170303	LABEL (TRADE MARK)	1	
25	0732003900	LABEL (WARNING)	1	
40	0110060020	FLANGE BOLT, M6X1.0X14DX12L	5	
60	2675260112	CYLINDER BAFFLE 1 UN	1	
61	2675270103	CYLINDER BAFFLE 2	1	
80	0110060010	FLANGE BOLT, M6X1.0X14DX8L	4	
210	2675020110	RECOIL STARTER AY .....	1	INCLUDES ITEMS W/*
210-1*	2615011508	SPIRAL SPRING	1	
210-2*	2465012008	REEL	1	
210-3*	2265011308	STARTER ROPE	1	
210-4*	2615010008	STARTER KNOB	1	
210-5*	2465012508	RATCHET	2	
210-6*	2465013008	FRICTION SPRING	1	
210-7*	2275013508	RETURN SPRING	2	
210-8*	2465016008	RATCHET GUIDE	1	
210-11*	2245015008	STARTER PULLEY	1	
210-49*	2275015208	SET SCREW	1	
220	0110060010	FLANGE BOLT, M6X1.0X14X8L	4	
230	0016508120	BOLT	3	
850	2675965203	SEAL RUBBER	1	

# ROBIN EH-360YS2420 ENGINE — CARBURETOR ASSY.

CARBURETOR ASSY.



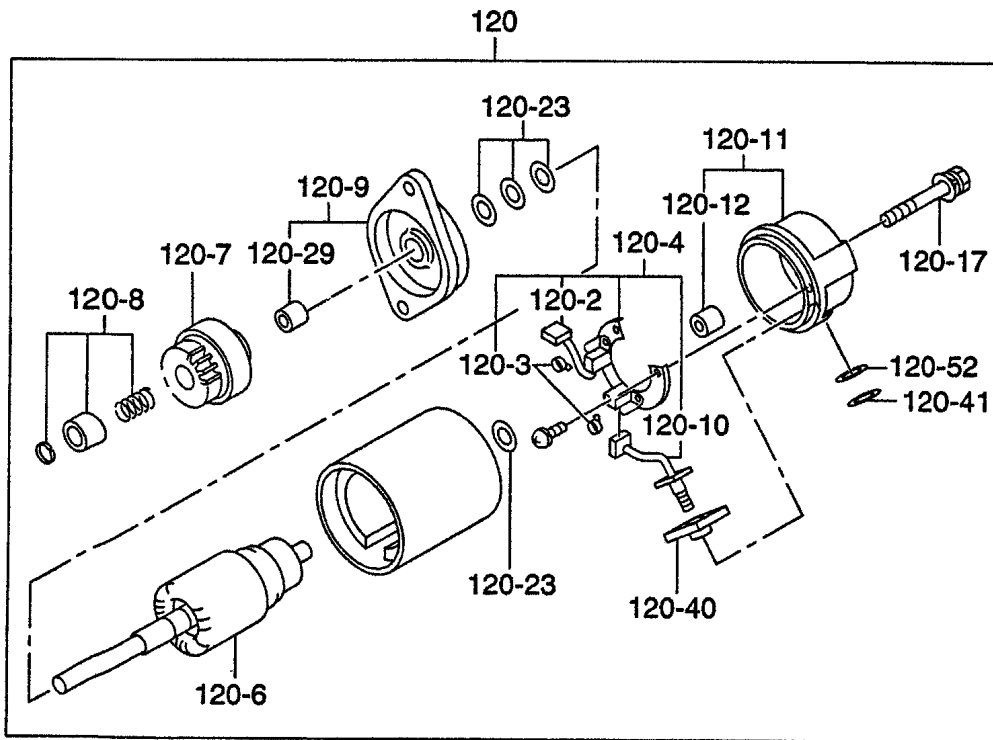
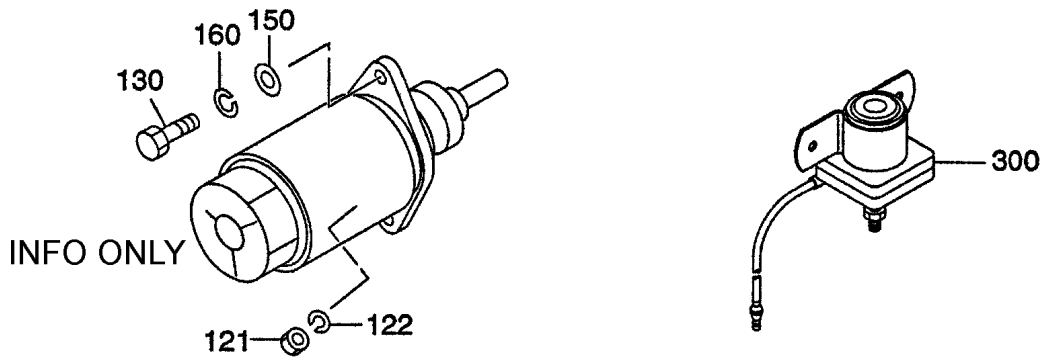
# ROBIN EH-360YS2420 ENGINE — CARBURETOR ASSY.

## CARBURETOR ASSY.

<u>NO.</u>	<u>PART NO.</u>	<u>PART NAME</u>	<u>QTY.</u>	<u>REMARKS</u>
210	2666231100	CARBURETOR ASSY. ....	1	INCLUDES ITEMS W/*
210-1*	2666253608	THROTTLE VALVE	1	
210-2*	2096235108	SCREW	2	
210-3*	2676252608	CHOKE VALVE	1	
210-4*	2376245108	SCREW	2	
210-5*	2536242008	PILOT JET	1	
210-8*	2676252108	CHOKE LEVER AY	1	
210-9*	2396256008	RING	1	
210-11*	2666253108	THROTTLESHAFT-A	1	
210-12*	2546242508	JET HOLDER	1	
210-13*	2266255008	RING	1	
210-14*	2246231218	NEEDLE VALVE-A	1	
210-15*	2146251508	PIN	1	
210-16*	2676255108	FLOAT BODY-A	1	
210-17*	2486245108	WASHER	1	
210-18*	2066254008	CHAMBER PACKING	1	
210-19*	2346250608	FLOT AY	1	
210-20*	2676244008	MAIN NOZZLE	1	
210-21*	2466242508	GUIDE HOLDER	1	
210-22*	2546240108	MAIN JET	1	
210-24*	2246256918	CLIP	1	
210-28*	2146245408	SCREW	1	
210-29*	2056244708	SPRING	1	
210-40*	2246245208	SCREW	1	
210-41*	2066244608	SPRING	1	
210-44*	2666241008	AIR JET	1	
210-45*	2466241008	AIR JET	1	
210-61*	2476255008	CAP (CHOKE)	1	
210-62*	2366268008	SEAL	1	
210-102*	1066239208	SEAL	1	
210-103*	2676245008	RING	1	
210-125*	2476256208	SOLENOID-A	1	
210-126*	2476256508	WASHER	1	
210-127*	2426231308	O-RING	1	
210-191*	2676257108	HOSE	1	
210-192*	1386235408	CLIP	1	

# ROBIN EH-360YS2420 ENGINE — STARTER ASSY.

STARTER ASSY.



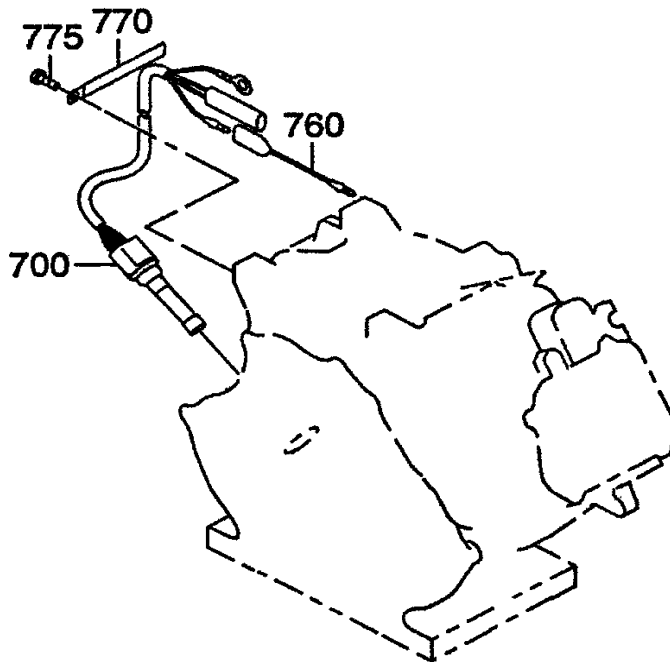
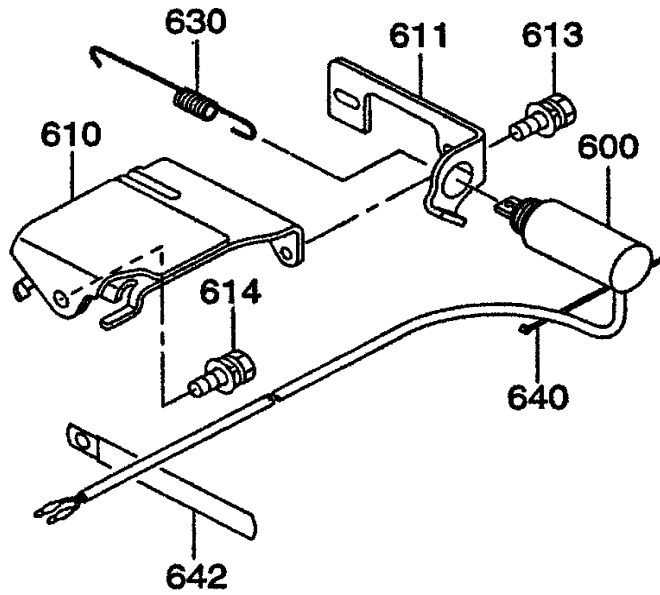
# ROBIN EH-360YS2420 ENGINE — STARTER ASSY.

## STARTER ASSY.

<u>NO.</u>	<u>PART NO.</u>	<u>PART NAME</u>	<u>QTY.</u>	<u>REMARKS</u>
120	2247050200	STARTING MOTOR ASSY. ....	1	NCLUDES ITEMS W/*
120-2	2357053508	BRUSH (+)	1	
120-3	2357054508	SPRING (BRUSH)	2	
120-4	2357053008	HOLDER AY (BRUSH)	1	
120-6	2357055008	ARMATURE AY	1	
120-7	2247055108	PINION ASSY.	1	
120-8	2247055308	STOPPER SET PINION	1	
120-9	2467050008	COVER ASSY FRONT	1	
120-10	2357054008	BRUSH (-),	1	
120-11	2467050508	COVER ASSY. REAR	1	
120-12	1137051008	CASE METAL	1	
120-17	2357057508	THROUGH BOLT	2	
120-23	2357055508	WASHER KIT	2	
120-29	2147056008	FRONT METAL	1	
120-40	2357056508	M BUSH (1)	1	
120-41	2357056608	M BUSH (2)	1	
120-52	2467058008	O-RING	1	
121	0022706000	NUT	1	
122	0032006000	SPRING WASHER	1	
130	2147900701	BOLT CP, STARTER, M8X1.25X30L	2	
150	0031008000	WASHER	2	
160	0032008000	SPRING WASHER	2	
170	2467550201	CLAMP CP	1	
176	0043106080	SCREW, PANHEAD	1	
300	2147700210	MAGNETIC SWITCH	1	

# ROBIN EH-360YS2420 ENGINE — SOLENOID ASSY.

SOLENOID ASSY.



## ROBIN EH-360YS2420 ENGINE — SOLENOID ASSY.

### SOLENOID ASSY.

<u>NO.</u>	<u>PART NO.</u>	<u>PART NAME</u>	<u>QTY.</u>	<u>REMARKS</u>
600	2537501000	SOLENOID AY	1	
610	2677600101	BRACKET (SOLENOID) 1CP	1	
611	2677600211	BRACKET (SOLENOID) 2CP	1	
613	0130060220	BOLT & WASHER ASSY., M6X1.0X12LW/W,SW	2	
614	0011308200	BOLT & WASHER ASSY.	1	
630	2677820113	SPRING (SOLENOID), 8DX1.2DX103L N=20	1	
640	0563000040	WIRE BAND, 3.6BX1.2TX146L	1	
642	0566000250	CLAMP, 6.5DX10BX95LX0.6T	1	
700	KS31102001	OIL SENSOR CP 11	1	
760	2147312201	WIRE 22 CP, L=85 BLACK	1	
770	0566000250	CLAMP, 6.5DX10BX95LX0.6T	2	
775	0110060010	FLANGE BOLT, M6X1.0X14DX8L	2	