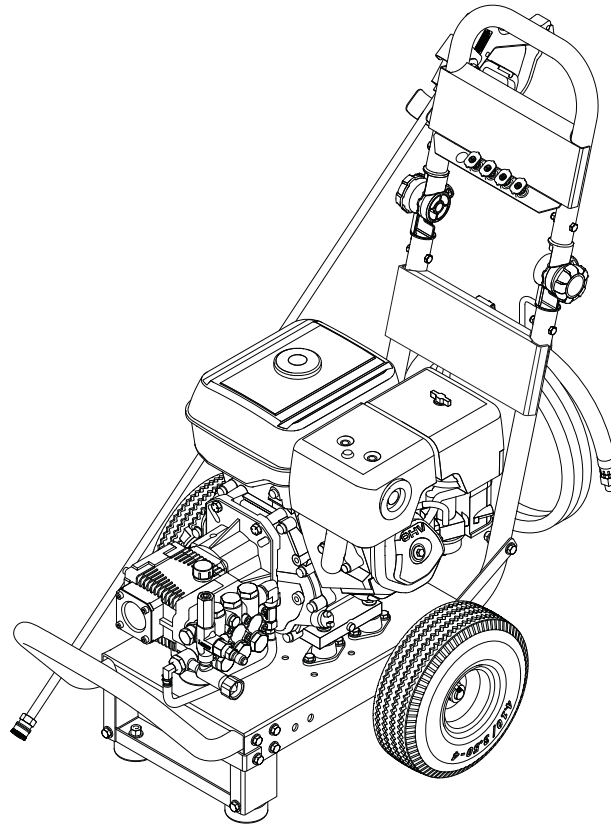
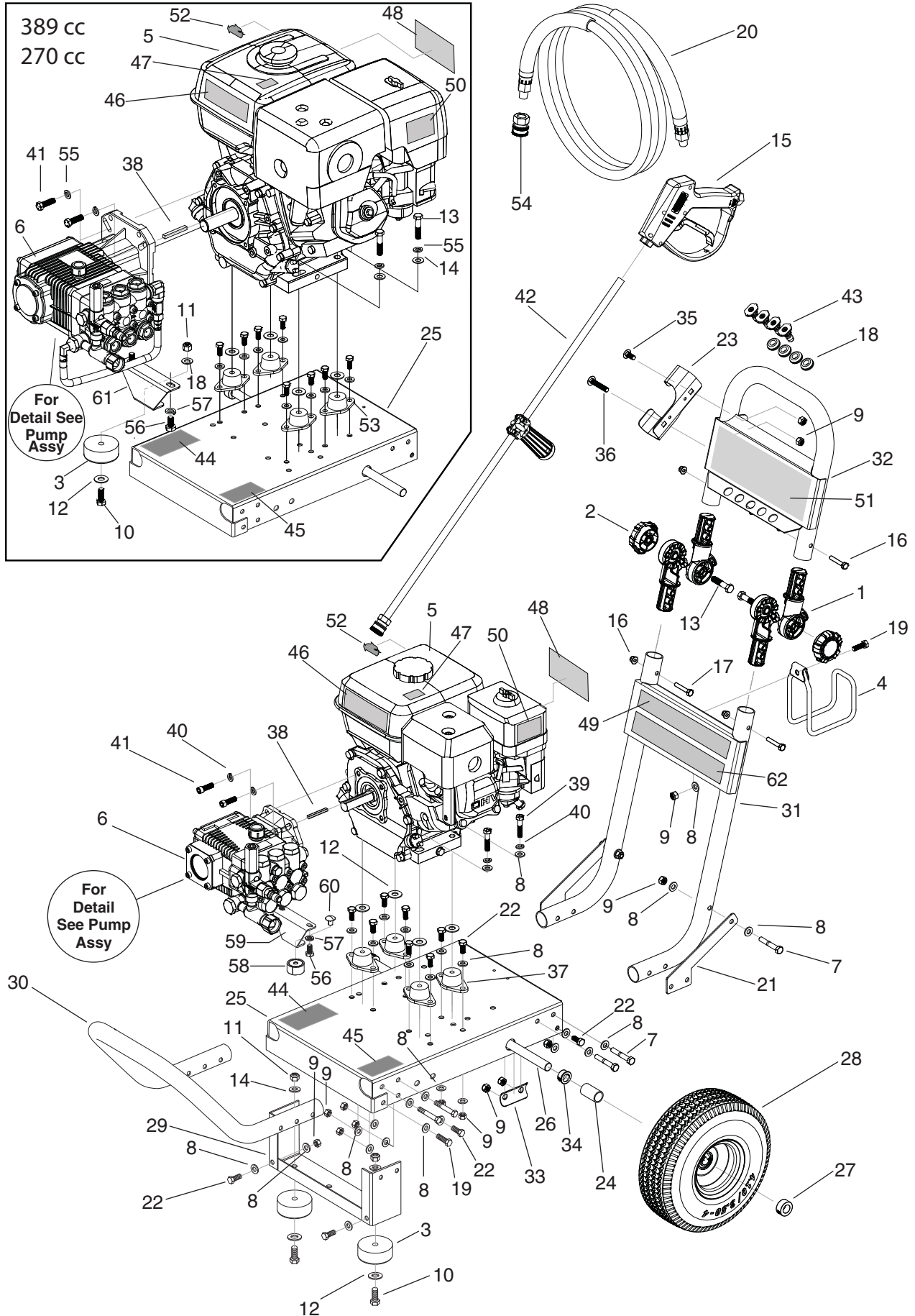


SERVICE MANUAL



| MODEL # | ORDER # |
|----------------|----------------|
| HD 2.5/27 P AL | 1.107-129.0 |
| HD 3.0/30 P AL | 1.107-130.0 |
| HD 3.8/35 P AL | 1.107-131.0 |
| PCA3-27324 | 1.107-124.0 |
| PCA3-30324 | 1.107-125.0 |
| PCA4-35324 | 1.107-126.0 |
| DBA-252739 | 1.107-117.0 |
| DBA-303039 | 1.107-118.0 |
| DBA-383539 | 1.107-119.0 |
| DGA-252737 | 1.106-054.0 |
| DGA-303037 | 1.106-055.0 |
| DGA-383537 | 1.106-056.0 |

EXPLODED VIEW



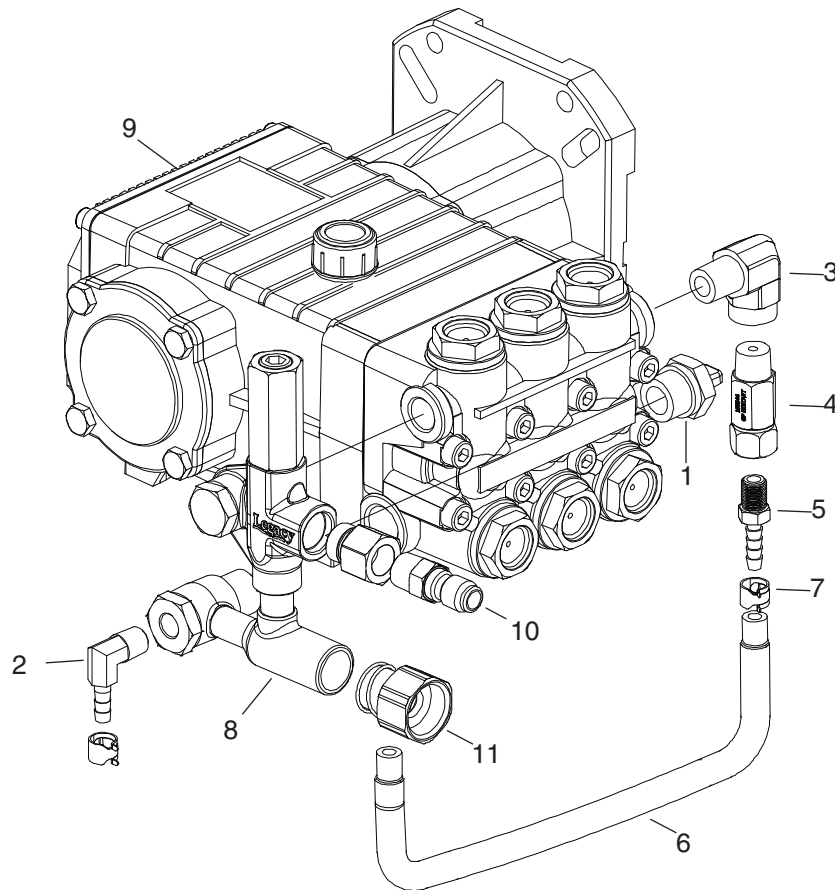
EXPLODED VIEW PARTS LIST

| ITEM | PART NO. | DESCRIPTION | QTY |
|------|-------------|--|-----|
| 1 | 9.135-007.0 | Rotary Tube-Joint | 4 |
| 2 | 9.136-502.0 | Knob | 2 |
| 3 | 9.802-066.0 | Pad Soft Rubber (270 cc, 389 cc) | 3 |
| | | Pad Soft Rubber (196 cc) | 2 |
| 4 | 8.917-980.0 | Hose Hanger Camaro Silver | 1 |
| 5 | 8.750-580.0 | Engine, Honda GX390UT2QA2 (389 cc) | 1 |
| | 9.802-315.0 | Engine, Honda GX270UTQAG2 (270 cc) | 1 |
| | 9.802-317.0 | Engine, Honda GX200UTQX2 (196 cc) | 1 |
| 6 | | Pump Assy 3500 PSI (See S4040G.2 Specifications Pages) | 1 |
| | | Pump Assy 3000 PSI (See G3035G Specifications Pages) | 1 |
| | | Pump Assy 2700 PSI (See G2530G Specifications Pages) | 1 |
| 7 | 9.802-716.0 | Bolt, 5/16" x 2", NC HH | 10 |
| 8 | 8.718-980.0 | Washer, 5/16", FLAT, SAE(780452) (389 cc, 270 cc) | 49 |
| | | (196 cc) | 53 |
| 9 | 9.802-776.0 | Nylon Insert Nut 5/16" | 29 |
| 10 | 9.802-720.0 | Bolt, 3/8" x 1", NC HH(612984) (389 cc, 270 cc) | 3 |
| | | (196 cc) | 2 |
| 11 | 9.197-003.0 | 3/8-16 NE Nylon Insert L/N ZC 5UM White (389 cc, 270 cc) | 3 |
| | | (196 cc) | 2 |
| 12 | 9.802-817.0 | Flat Washer (389 cc, 270 cc) | 7 |
| | | (196 cc) | 6 |
| 13 | 9.196-041.0 | Hex Head Bolt 3/8-16 x 1-3/4" (389 cc, 270 cc) | 6 |
| | | (196 cc) | 2 |
| 14 | 9.198-004.0 | 3/8 USS F/W Zinc (389 cc, 270 cc) | 7 |
| | | (196 cc) | 2 |
| 15 | 8.750-247.0 | Trigger Gun Model M407 | 1 |
| 16 | 9.196-307.0 | 1/4-20 x 1-1/2" GR 2 Hex Bolt Zinc | 4 |
| 17 | 9.197-010.0 | 1/4-20" Nylon Insert Lock Nut with Flange | 4 |
| 18 | 9.177-204.0 | Sleeve, Rubber | 4 |
| 19 | 9.802-710.0 | Screw 5/16" x 1" NC | 3 |
| 20 | 8.739-011.0 | ▲ Hose, 3/8"x50', 1W, TS, SO x SW (DBA Models) | 1 |
| | 8.739-026.0 | ▲ Hose, 3/8"x50', 1W, TS, SO x SW (PCA Models) | 1 |
| | 8.739-021.0 | ▲ Hose, 3/8"x50', 1W, TS, SO x SW (HD and DGA Models) | 1 |
| 21 | 8.750-303.0 | Handle Stiffener AL | 2 |
| 22 | 8.718-618.0 | Bolt, 5/16" x 3/4" NC GR 5 CS ZN(61294) | 14 |
| 23 | 8.918-437.0 | Holder Wand Left Silver | 1 |
| 24 | 8.918-079.0 | Axle Spacer Silver Aluminum Direct Frame | 2 |
| 25 | 8.750-265.0 | Aluminum Base Direct Drive | 1 |
| 26 | 9.803-097.0 | Axle, 5/8" x 20.125" Long | 1 |
| 27 | 9.802-782.0 | Collar, 5/8" Bore Shaft 3010 | 2 |
| 28 | 9.802-270.0 | Wheel & Tire Assy, 4" Steel Rim W/Tube | 2 |
| 29 | 8.750-287.0 | Foot AL Direct Frame | 1 |
| 30 | 8.750-267.0 | Aluminum Bumper Direct Drive | 1 |
| 31 | 8.917-978.0 | Handle Support Assy AL Direct Drive | 1 |
| 32 | 8.917-976.0 | Handle Assy AL Direct Drive | 1 |
| 33 | 9.803-114.0 | Retainer Bracket, Handle, Black | 2 |
| 34 | 9.802-103.0 | Bush 5/8" ID, 7/8 OD SB-875-10 | 2 |
| 35 | 8.718-625.0 | Bolt, 5/16"-18 x 3/4", Nc Carriage znc 6159 | 1 |
| 36 | 9.802-712.0 | Bolt, 5/16"-18 x 1-3/4", Nc Carriage z | 1 |
| 37 | 9.803-308.0 | Mount, Rubber Vibration 5/16", 70 Duro (196 cc) | 4 |

EXPLODED VIEW PARTS LIST (CONT)

| ITEM | PART NO. | DESCRIPTION | QTY |
|------|-------------|--|-----|
| 38 | 9.802-959.0 | Key, 0.247 SQR x 2.125" (270 cc, 389 cc) | 1 |
| | 9.802-958.0 | Key, 0.185 SQR x 1.750" (196 cc) | 1 |
| 39 | 9.802-713.0 | Bolt, 5/16" x 1-1/2", NC HH(612975) | 4 |
| 40 | 9.802-813.0 | Washer, 5/16 Lock Split Ring (51156560) (196 cc) | 8 |
| 41 | 8.733-007.0 | Socket Head 5/16-24 X 3/4 Zinc Plated (196 cc) | 4 |
| | 9.802-722.0 | Bolt, 3/8 x 1 1/4", NC HH (270 cc, 389 cc) | 4 |
| 42 | 8.783-040.0 | Wand 44" Zinc Plated, Handle & Coupler (270 cc, 389 cc) | 1 |
| | 8.783-039.0 | Wand 30" Zinc Plated, Handle & Coupler (196 cc) | 1 |
| 43 | | Quick Connect Nozzle Kit (389 cc) | 1 |
| | 8.708-531.0 | ▲ Nozzle, QC, 1/4", #4.0 x 0, Red, Legacy | |
| | 8.708-532.0 | ▲ Nozzle, QC, 1/4", #4.0 x 15, Yellow, Legacy | |
| | 8.708-533.0 | ▲ Nozzle, QC, 1/4", #4.0 x 24, Green, Legacy | |
| | 8.708-534.0 | ▲ Nozzle, QC, 1/4", #4.0 x 40, White, Legacy | |
| | | Quick Connect Nozzle Kit (270 cc) | 1 |
| | 8.723-577.0 | ▲ Nozzle, QC, 1/4", #3.5 x 0, Red, Legacy | |
| | 8.726-104.0 | ▲ Nozzle, QC, 1/4", #3.5 x 15, Yellow, Legacy | |
| | 8.708-526.0 | ▲ Nozzle, QC, 1/4", #3.5 x 25, Green, Legacy | |
| | 8.902-487.0 | ▲ Nozzle, QC, 1/4", #3.5 x 40, White, Legacy | |
| | | Quick Connect Nozzle Kit (196 cc) | 1 |
| | 8.723-576.0 | ▲ Nozzle, QC, 1/4", #3.0 x 0, Red, Legacy | |
| | 8.902-482.0 | ▲ Nozzle, QC, 1/4", #3.0 x 15, Yellow, Legacy | |
| | 8.902-484.0 | ▲ Nozzle, QC, 1/4", #3.0 x 25, Green, Legacy | |
| | 8.902-485.0 | ▲ Nozzle, QC, 1/4", #3.0 x 40, White, Legacy | |
| 44 | 8.930-124.0 | Label, Intended For Outdoor Use - Mexico | 1 |
| 45 | 8.783-038.0 | Label, Universal DB Rating, Ear Protection | 1 |
| 46 | 9.800-008.0 | Label, Danger Cool Engine | 1 |
| 47 | 9.800-006.0 | Label, Hot/Caliente w/arrows | 1 |
| 48 | 8.783-034.0 | Label, Quick Start Guide | 1 |
| 49 | 8.783-036.0 | Label, Warning Pictogram | 1 |
| 50 | 8.917-015.0 | Label, Regulation 4442.6 | 1 |
| 51 | 8.750-284.0 | Label, Name Plate (HD Models) | 1 |
| | 8.750-285.0 | Label, Name Plate (PCA Models) | 1 |
| | 8.750-286.0 | Label, Name Plate (DBA Models) | 1 |
| | 8.750-714.0 | Label, Name Plate (DGA Models) | 1 |
| 52 | 9.138-438.0 | Label, Die - Cut (DGA models) | 1 |
| 53 | 8.932-992.0 | Mount, Rubber Vibration 3/8" (270 cc, 389 cc) | 4 |
| 54 | 9.802-166.0 | Coupler, 3/8"Socket, Female, Brass | 1 |
| 55 | 9.802-814.0 | Washer, 3/8" Split Ring Lock, Zinc (270 cc, 389 cc) | 8 |
| 56 | 9.802-744.0 | Bolt, 10mm x 20mm, HH Zinc (389 cc) | 2 |
| | 9.802-741.0 | Bolt, 8mm x 16 mm Hex Head (270 cc, 196 cc) | 2 |
| 57 | 9.802-816.0 | Washer, 7/16", Split Ring Lock, 780481 (389 cc) | 2 |
| | 9.802-813.0 | Washer, 5/16 Lock Split Ring (51156560) (270 cc, 196 cc) | 2 |
| 58 | 9.183-409-0 | Rubber Dampener 5/16"-18 Female 2001 (196 cc) | 1 |
| 59 | 8.917-977.0 | Pump Support LG Fab Black Wrinkle (196 cc) | 1 |
| 60 | 9.196-308.0 | 5/16-18 x 1/2 Carriage Bolt A307 BLK (196 cc) | 1 |
| 61 | 8.933-024.0 | Rail, Pump Support (389 cc) | 1 |
| | 9.804-533.0 | Rail, Pump Support (270 cc) | 1 |
| 62 | 8.750-809.0 | Label Operation Warn Trilingual Small | 1 |
| | | ▲ Not Shown | |

S4040G.2 PUMP ASSEMBLY EXPLODED VIEW



S4040G.2 PUMP ASSY EXPLODED VIEW PARTS LIST

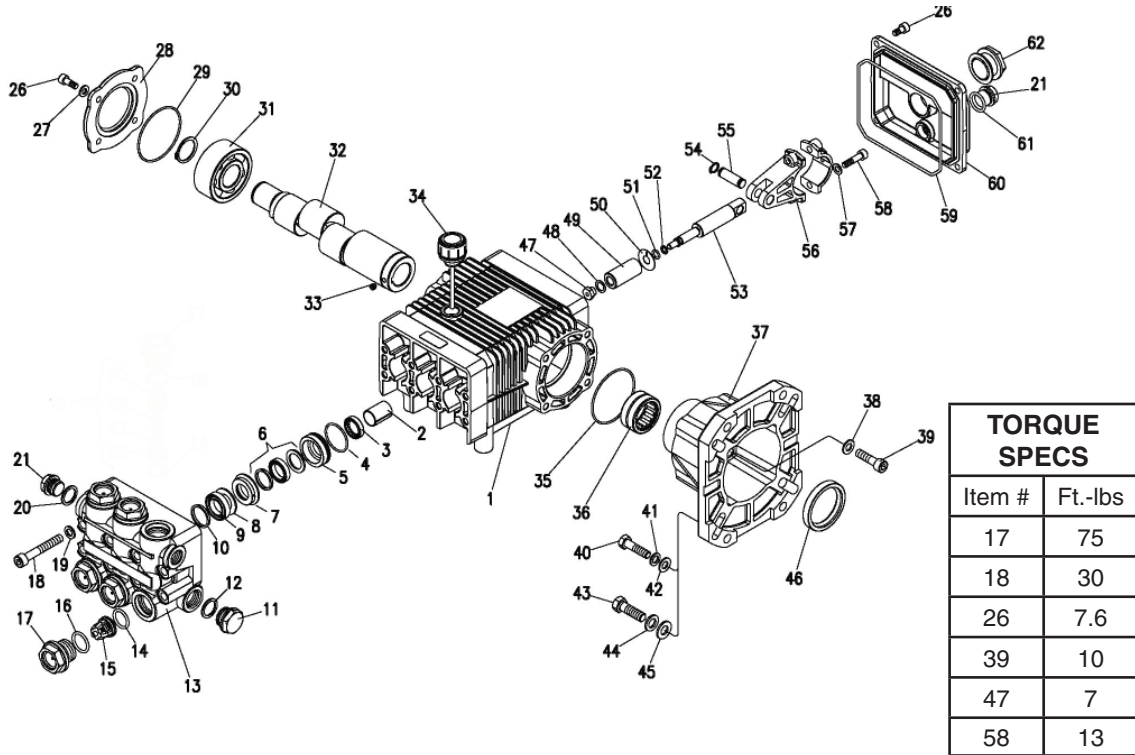
| ITEM | PART NO. | DESCRIPTION | QTY | ITEM | PART NO. | DESCRIPTION | QTY |
|------|-------------|--|--------|------|-------------|--|-----|
| 1 | 8.707-256.0 | Pump Protector, 1/2 PTP 140 DEG, P/N 1005 | 1 | 10 | 9.802-171.0 | Nipple, 3/8" x 3/8" NPT ST Male | 1 |
| 2 | 8.706-958.0 | Hose Barb, 1/4" Barb x 1/4" Pipe, 90D | 1 | 11 | 9.802-146.0 | Swivel, 1/2" MP x 3/4" GHF W/Strainer | 1 |
| 3 | 8.706-207.0 | Elbow, 3/8", Street 90 Deg p/n-TF349X6 | 1 | | | | |
| 4 | 9.802-190.0 | Valve, EZ Start, 3/8 MPT x 1/8 FPT | 1 | | | | |
| 5 | 8.706-940.0 | Hose Barb, 1/4" Barb x 1/8" ML Pipe | 1 | | | | |
| 6 | 9.802-254.0 | Hose 1/4" | 1.5 ft | | | | |
| 7 | 6.390-126.0 | Hose Clamp | 2 | | | | |
| 8 | 9.175-013.0 | Unloader, UU1 3500PSI Banjo 1/2"-1/4" NPT | 1 | | | | |
| 9 | 9.802-350.0 | Pump KS4040G, 4@4000, 3400 RPM | 1 | | | | |
| | 8.904-905.0 | Pump LS4040G, 4 @4000, 3400 RPM | 1 | | | | |
| | 8.904-755.0 | Pump HS4040G, 4 @ 4000, 3400 RPM | 1 | | | | |

S4040G.2 PUMP EXPLODED VIEW

9.802-350.0 KS4040G.2

8.904-905.0 LS4040G.2

8.904-755.0 HS4040G.2



S4040G.2 PUMP EXPLODED VIEW PARTS LIST

| ITEM | PART NO. | DESCRIPTION | QTY | ITEM | PART NO. | DESCRIPTION | QTY |
|------|---------------|----------------------|-----|------|-------------|-------------------------|-----|
| 1 | 8.717-129.0 | Crankcase | 1 | 26 | 9.802-939.0 | Hexagonal Screw | 9 |
| 2 | 9.803-196.0 | Plunger Guide | 3 | 27 | 9.803-210.0 | Washer | 4 |
| 3* | See Kit Below | Plunger Oil Seal | 3 | 28 | 9.803-184.0 | Closed Bearing Housing | 1 |
| 4* | See Kit Below | O-Ring Ø1.78 x 31.47 | 3 | 29 | 8.717-225.0 | O-Ring Ø 2.62 x61.6 | 1 |
| 5* | See Kit Below | Pressure Ring | 3 | 30 | 9.802-914.0 | Snap Ring | 1 |
| 6* | See Kit Below | U-Seal, 15mm | 3 | 31 | 9.803-168.0 | Double Row Ball Bearing | 1 |
| 7* | See Kit Below | Intermed. Ring 15mm | 3 | 32 | 9.803-152.0 | Crankshaft (S4040G) | 1 |
| 8* | See Kit Below | Back-up Ring | 3 | 33 | 9.802-945.0 | Set Screw | 1 |
| 9* | See Kit Below | U-Seal, 15mm | 3 | 34 | 9.802-921.0 | Oil Dip Stick | 1 |
| 10* | See Kit Below | Support Ring 15mm | 3 | 35 | 9.804-581.0 | O-Ring Ø 3.53 x 55.56 | 1 |
| 11 | 9.802-926.0 | Brass Plug, 1/2" | 1 | 36 | 9.803-161.0 | Needle Roller Bearing | 1 |
| 12 | 9.803-199.0 | Copper Washer 1/2" | 1 | 37 | 9.803-183.0 | Engine Flange | 1 |
| 13 | 9.802-932.0 | Manifold Housing | 1 | 38 | 9.803-221.0 | Spring Washer | 4 |
| 14* | 9.803-191.0 | O-Ring Ø2.62 x 17.13 | 6 | 39 | 9.803-240.0 | Flange Screw | 4 |
| 15* | See Kit Below | Valve Assembly | 6 | 40 | 9.803-243.0 | Engine Screw, 5/16" | 4 |
| 16* | 9.803-193.0 | O-Ring Ø2.62 x 20.29 | 6 | 41 | 9.803-215.0 | Washer | 4 |
| 17 | 9.802-928.0 | Valve Plug | 6 | 42 | 9.802-889.0 | Spring Washer | 4 |
| 18 | 9.802-938.0 | Manifold Stud Bolt | 8 | 43 | 9.803-244.0 | Engine Screw 3/8" | 4 |
| 19 | 9.802-884.0 | Washer | 8 | | | | |
| 20 | 9.803-198.0 | Copper Washer 3/8" | 1 | | | | |
| 21 | 9.802-925.0 | Brass Plug 3/8" | 2 | | | | |

S4040G.2 PUMP EXPLODED VIEW PARTS LIST (CONT.)

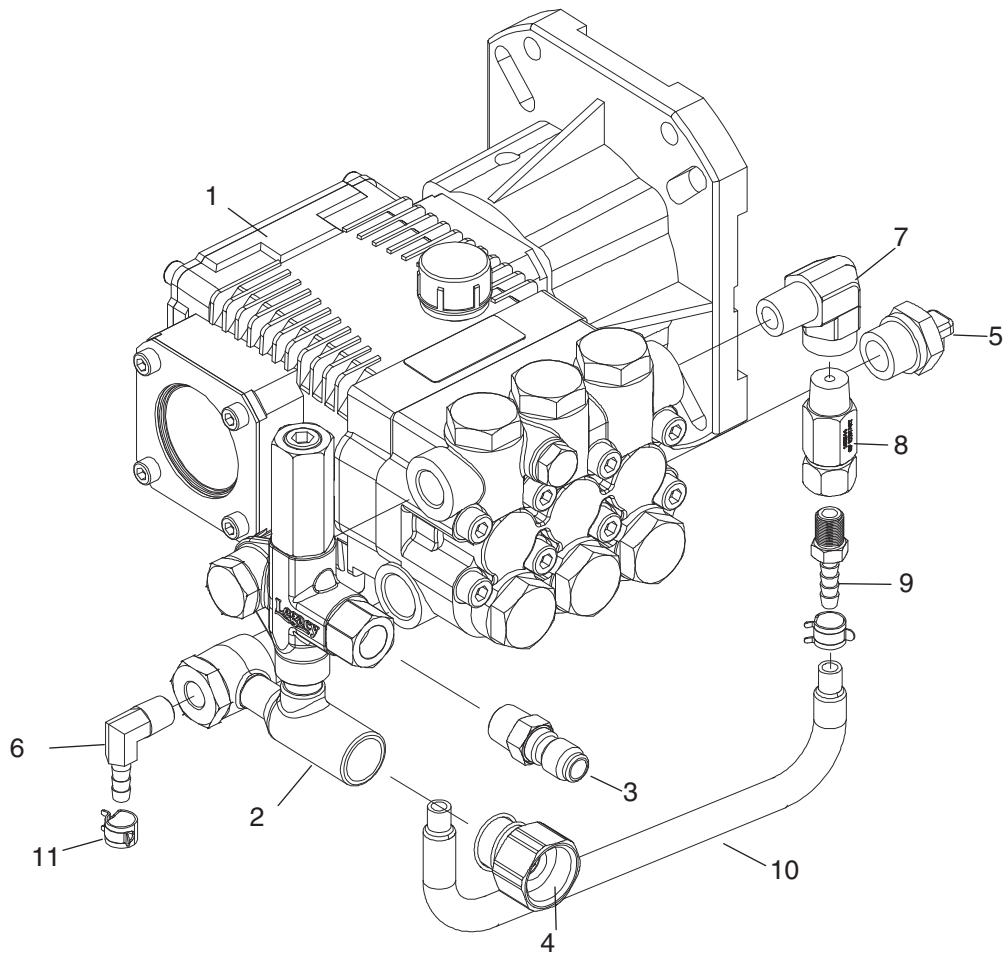
| ITEM | PART NO. | DESCRIPTION | QTY |
|------|---------------|-------------------------------|-----|
| 44 | 9.803-216.0 | Washer | 4 |
| 45 | 9.803-217.0 | Spring Washer | 4 |
| 46 | 9.803-142.0 | Crankshaft Seal | 1 |
| 47* | See Kit Below | Plunger Nut | 3 |
| 48* | See Kit Below | Washer, Copper, 9.2 x 13.5 | 3 |
| 49* | See Kit Below | Plunger, 15mm | 3 |
| 50* | See Kit Below | Copper Spacer | 3 |
| 51* | See Kit Below | O-Ring Ø1.78x5.28 | 3 |
| 52* | See Kit Below | Teflon Ring | 3 |
| 53 | 9.803-145.0 | Plunger Rod | 3 |
| 54 | 9.802-913.0 | Snap Ring | 6 |
| 55 | 9.802-916.0 | Connecting Rod Pin | 3 |
| 56 | 9.803-158.0 | Connecting Rod | 3 |
| 57 | 9.803-218.0 | Spring Washer | 6 |
| 58 | 9.803-238.0 | Connecting Rod Screw | 6 |
| 59 | 8.933-016.0 | O-Ring 2.62 x 126.67 | 1 |
| 60 | 8.717-145.0 | Crankcase Cover | 1 |
| 61 | 9.803-197.0 | O-Ring, Ø 1.78 x 14 | 1 |
| 62 | 9.803-202.0 | Sight Glass, G3/4 | 1 |

* Part available in kit (See below)

S4040G.2 PUMP REPAIR KITS

| REPAIR KIT NUMBER | 9.802-622.0 | 9.802-623.0 | 8.933-023.0 | 9.802-603.0 | 9.802-609.0 |
|---|----------------------|----------------------------------|---------------------------|----------------|-------------------|
| KIT DESCRIPTION | Plunger Seal 15mm | Complete Seal Packing 15mm | Plunger 15mm | Complete Valve | Plunger Oil Seals |
| ITEM NUMBERS INCLUDED | 4, 6, 8, 9, 10 | 4, 5, 6, 7, 8, 9, 10 | 47, 48, 49, 50, 51, 52 | 14, 15, 16 | 3 |
| NUMBER OF CYLINDERS KIT WILL SERVICE | 3 | 1 | 1 | 6 | 3 |

G3035G PUMP ASSEMBLY EXPLODED VIEW

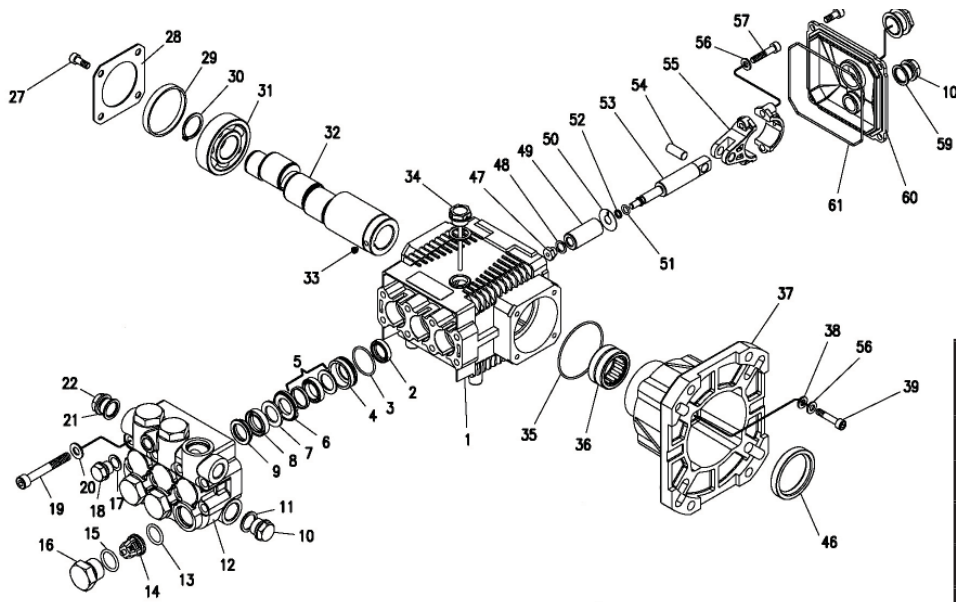


G3035G PUMP ASSY EXPLODED VIEW PARTS LIST

| ITEM | PART NO. | DESCRIPTION | QTY | ITEM | PART NO. | DESCRIPTION | QTY |
|------|-------------|--|-----|------|-------------|--|--------|
| 1 | 9.803-819.0 | Pump KG3035G1 3@3500,3400 RPM | 1 | 8 | 9.802-190.0 | Valve, EZ Start, 3/8" MPT x 1/8 FPT | 1 |
| | 8.904-897.0 | Pump LG3035G1 3@3500, 3400 RPM | 1 | 9 | 8.706-940.0 | Hose Barb, 1/4" Barb x 1/8" ML Pipe | 1 |
| | 8.904-752.0 | Pump HG3035G1 3@3500, 3400 RPM | 1 | 10 | 9.802-254.0 | Hose 1/4" | 1.5 ft |
| 2 | 9.175-013.0 | Unloader, UU1 3500PSI Banjo 1/2"-1/4" NPT | 1 | 11 | 6.390-126.0 | Hose Clamp | 2 |
| 3 | 9.802-171.0 | Nipple, 3/8" x 3/8" NPT ST Male | 1 | | | | |
| 4 | 9.802-146.0 | Swivel, 1/2" MP x 3/4" GHF W/Strainer | 1 | | | | |
| 5 | 8.707-256.0 | Pump Protector, 1/2" PTP 140 DEG-p/n 1005 | 1 | | | | |
| 6 | 8.706-958.0 | Hose Barb, 1/4" Barb x 1/4" Pipe 90 D. | 1 | | | | |
| 7 | 8.706-207.0 | Elbow, 3/8" Street 90 Deg p/n TF3409X6 | 1 | | | | |

G3035G PUMP EXPLODED VIEW

9.803-819.0 KG3035G2
 8.904-897.0 LG3035G2
 8.904-752.0 HG3035G2



| TORQUE SPECS | |
|--------------|---------|
| Item # | Ft.-lbs |
| 16 | 65 |
| 19 | 18 |
| 27 | 7.6 |
| 39 | 8 |
| 47 | 7 |
| 57 | 13 |

G3035G PUMP EXPLODED VIEW PARTS LIST

| ITEM | PART NO. | DESCRIPTION | QTY |
|------|---------------|------------------------|-----|
| 1 | 9.803-938.0 | Crankcase | 1 |
| 2* | See Kit Below | Plunger Oil Seal | 3 |
| 3* | See Kit Below | O-Ring Ø1.78 x 31.47 | 3 |
| 4* | See Kit Below | Pressure Ring, 15mm | 3 |
| 5* | See Kit Below | U Seal Assy, 15mm | 3 |
| 6* | See Kit Below | Intermediate Ring 15mm | 3 |
| 7* | See Kit Below | Backup Ring, 15mm | 3 |
| 8* | See Kit Below | U-Seal Assy, 15mm | 3 |
| 9* | See Kit Below | Support Ring 15mm | 3 |
| 10 | 9.802-926.0 | Brass Plug, 1/2" | 1 |
| 11 | 9.803-199.0 | Copper Washer 1/2" | 1 |
| 12 | 9.803-946.0 | Manifold Housing | 1 |
| 13* | 9.803-947.0 | O-Ring Ø1.78 x 15.54 | 6 |
| 14* | See Kit Below | Valve Assembly | 6 |
| 15* | 9.803-948.0 | O-Ring Ø2.62 x 18.77 | 6 |
| 16 | 9.803-949.0 | Valve Plug | 6 |
| 17 | 9.803-950.0 | Washer, Copper | 1 |
| 18 | 9.803-951.0 | Brass Plug G1/4 | 1 |

| ITEM | PART NO. | DESCRIPTION | QTY |
|------|-------------|-----------------------|-----|
| 19 | 9.803-952.0 | Manifold Stud Bolt | 8 |
| 20 | 9.802-884.0 | Washer | 8 |
| 21 | 9.803-198.0 | Copper Washer 3/8" | 1 |
| 22 | 9.802-925.0 | Brass Plug 3/8" | 2 |
| 27 | 9.802-939.0 | Hexagonal Screw | 9 |
| 28 | 9.803-953.0 | Bearing Cover | 1 |
| 29 | 9.803-954.0 | Seal Bearing | 1 |
| 30 | 9.802-914.0 | Snap Ring | 1 |
| 31 | 9.803-955.0 | Ball Bearing | 1 |
| 32 | 8.730-825.0 | Crankshaft (3035G1) | 1 |
| | 8.730-826.0 | Crankshaft (3535G1) | 1 |
| | 8.730-827.0 | Crankshaft (4030G1) | 1 |
| 33 | 9.802-945.0 | Set Screw | 1 |
| 34 | 9.803-957.0 | Oil Dip Stick | 1 |
| 35 | 9.804-581.0 | O-Ring 3.53 x 55.56 | 1 |
| 36 | 9.803-161.0 | Needle Roller Bearing | 1 |
| 37 | 9.803-183.0 | Engine Flange | 1 |
| 38 | 9.803-210.0 | Spring Washer | 4 |

G3035G PUMP EXPLODED VIEW PARTS LIST (CONT)

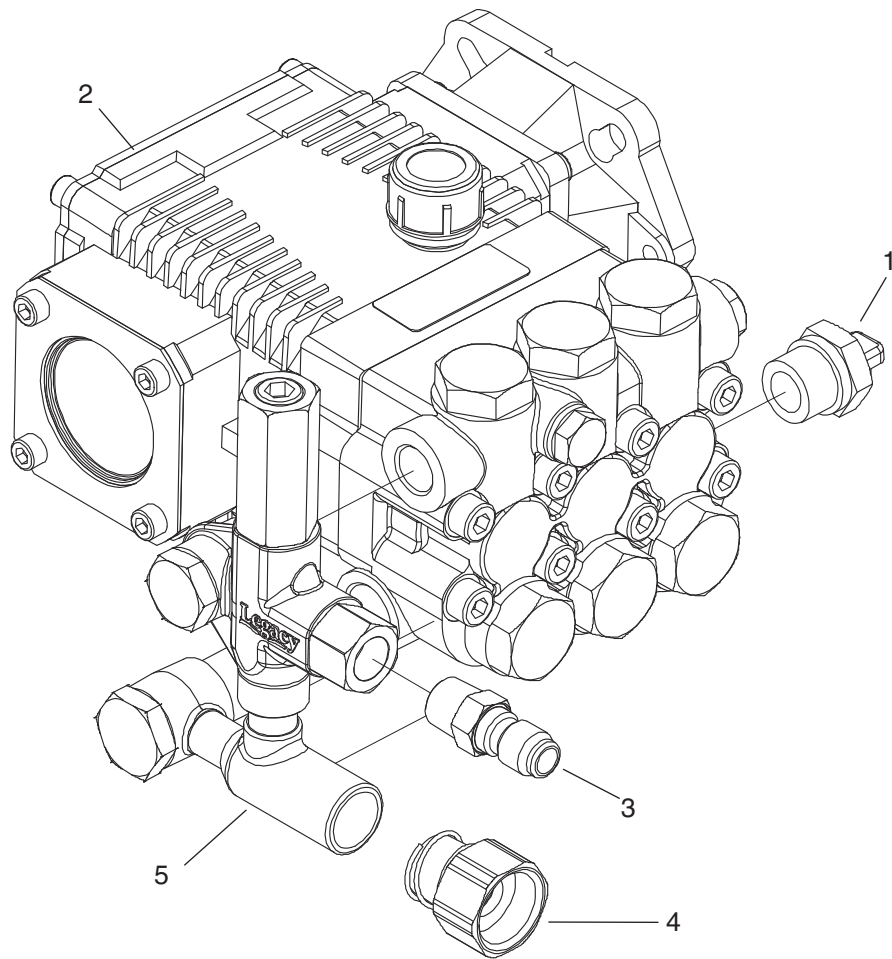
| ITEM | PART NO. | DESCRIPTION | QTY |
|------|---------------|----------------------|-----|
| 39 | 8.933-020.0 | Flange Screw | 4 |
| 46 | 9.803-142.0 | Crankshaft Seal | 1 |
| 47* | See Kit Below | Plunger Nut | 3 |
| 48* | See Kit Below | Copper Washer | 3 |
| 49* | See Kit Below | Plunger, 15mm | 3 |
| 50* | See Kit Below | Copper Spacer | 3 |
| 51* | See Kit Below | O-Ring Ø1.78x5.28 | 3 |
| 52* | See Kit Below | Teflon Ring | 3 |
| 53 | 9.803-964.0 | Plunger Rod | 3 |
| 54 | 9.803-965.0 | Connecting Rod Pin | 3 |
| 55 | 9.803-966.0 | Connecting Rod | 3 |
| 56 | 9.803-218.0 | Spring Washer | 10 |
| 57 | 8.933-020.0 | Connecting Rod Screw | 6 |
| 58 | 9.803-202.0 | Sight Glass, G3/4 | 1 |
| 59 | 9.803-197.0 | Gasket, G3/4 | 1 |
| 60 | 9.803-968.0 | Crankcase Cover | 1 |
| 61 | 9.803-969.0 | O-Ring 2.62 x 107.62 | 1 |

* Part available in kit (See below)

G3035G PUMP REPAIR KITS

| REPAIR KIT NUMBER | 9.802-622.0 | 9.802-623.0 | 8.933-023.0 | 9.802-603.0 | 9.802-609.0 |
|-----------------------|-------------------|----------------------------|------------------------|----------------|-------------------|
| KIT DESCRIPTION | Plunger Seal 15mm | Complete Seal Packing 15mm | Plunger 15mm | Complete Valve | Plunger Oil Seals |
| ITEM NUMBERS INCLUDED | 4, 6, 8, 9, 10 | 4, 5, 6, 7, 8, 9, 10 | 47, 48, 49, 50, 51, 52 | 14, 15, 16 | 3 |

G2530G PUMP ASSEMBLY EXPLODED VIEW

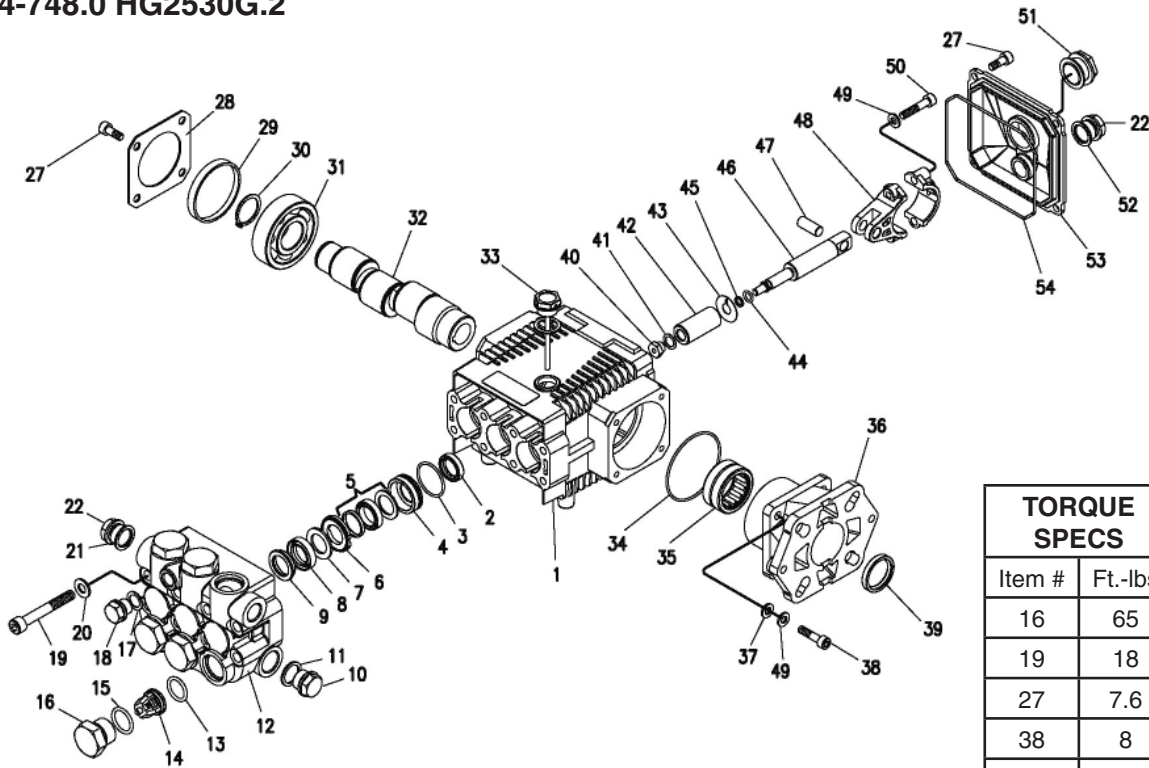


G2530G PUMP ASSY EXPLODED VIEW PARTS LIST

| ITEM | PART NO. | DESCRIPTION | QTY |
|------|-------------|--|-----|
| 1 | 8.707-256.0 | Pump Protector, 1/2 PTP 140 DEG, P/N 1005 | 1 |
| 2 | 9.804-033.0 | Pump, KG2530G 2.5@3000, 3400 RPM | 1 |
| | 8.904-893.0 | Pump, LG2530G 2.5@3000, 3400 RPM | 1 |
| | 9.802-748.0 | Pump, HG2530G 2.5@3000, 3400 RPM | 1 |
| 3 | 9.802-171.0 | Nipple, 3/8" x 3/8" NPT ST Male | 1 |
| 4 | 9.802-146.0 | Swivel, 1/2" MP x 3/4" GHF W/Strainer | 1 |
| 5 | 9.175-012.0 | Unloader, UU1 3500 PSI Banjo 1/2" Closed | 2 |

G2530G PUMP EXPLODED VIEW

9.804-033.0 KG2530G.2
 8.904-893.0 LG2530G.2
 8.904-748.0 HG2530G.2



| TORQUE SPECS | |
|--------------|---------|
| Item # | Ft.-lbs |
| 16 | 65 |
| 19 | 18 |
| 27 | 7.6 |
| 38 | 8 |
| 40 | 7 |
| 50 | 13 |

G2530G PUMP EXPLODED VIEW PARTS LIST

| ITEM | PART NO. | DESCRIPTION | QTY | ITEM | PART NO. | DESCRIPTION | QTY |
|------|---------------|------------------------|-----|------|-------------|-----------------------|-----|
| 1 | 9.803-938.0 | Crankcase | 1 | 19 | 9.803-952.0 | Manifold Stud Bolt | 8 |
| 2* | See Kit Below | Plunger Oil Seal | 3 | 20 | 9.802-884.0 | Washer | 8 |
| 3* | See Kit Below | O-Ring Ø1.78 x 28.30 | 3 | 21 | 9.803-198.0 | Copper Washer 3/8" | 1 |
| 4* | See Kit Below | Pressure Ring, 15mm | 3 | 22 | 9.802-925.0 | Brass Plug 3/8" | 2 |
| 5* | See Kit Below | U-Seal, 15mm | 3 | 27 | 9.802-939.0 | Hexagonal Screw | 9 |
| 6* | See Kit Below | Intermediate Ring 15mm | 3 | 28 | 9.803-953.0 | Bearing Cover | 1 |
| 7* | See Kit Below | Backup Ring 15mm | 3 | 29 | 9.803-954.0 | Seal Bearing | 1 |
| 8* | See Kit Below | U-Seal, 15mm | 3 | 30 | 9.802-914.0 | Snap Ring | 1 |
| 9* | See Kit Below | Support Ring, 15mm | 3 | 31 | 9.803-955.0 | Ball Bearing | 1 |
| 10 | 9.802-926.0 | Brass Plug, 1/2" | 1 | 32 | 8.717-069.0 | Crankshaft (2530G) | 1 |
| 11 | 9.803-199.0 | Copper Washer 1/2" | 1 | 33 | 9.803-957.0 | Oil Dip Stick | 1 |
| 12 | 9.803-946.0 | Manifold Housing | 1 | 34 | 9.804-581.0 | O-Ring 3.53 x 55.56 | 1 |
| 13* | 9.803-947.0 | O-Ring Ø1.78 x 15.54 | 6 | 35 | 9.804-582.0 | Needle Roller Bearing | 1 |
| 14* | See Kit Below | Valve Assembly | 6 | 36 | 8.717-212.0 | Engine Flange | 1 |
| 15* | 9.803-948.0 | O-Ring Ø2.62 x 18.77 | 6 | 37 | 9.803-210.0 | Spring Washer | 4 |
| 16 | 9.803-949.0 | Valve Plug | 6 | 38 | 9.804-584.0 | Flange Screw | 4 |
| 17 | 9.803-950.0 | Washer, Copper | 1 | | | | |
| 18 | 9.803-951.0 | Brass Plug G1/4 | 1 | | | | |

G2530G PUMP EXPLODED VIEW PARTS LIST (CONT)

| ITEM | PART NO. | DESCRIPTION | QTY |
|------|---------------|----------------------|-----|
| 39 | 9.804-585.0 | Crankshaft Seal | 1 |
| 40* | See Kit Below | Plunger Nut | 3 |
| 41* | See Kit Below | Copper Spacer | 3 |
| 42* | See Kit Below | Plunger, 15mm | 3 |
| 43* | See Kit Below | Copper Spacer | 3 |
| 44* | See Kit Below | O-Ring Ø1.78x5.28 | 3 |
| 45* | See Kit Below | Teflon Ring | 3 |
| 46 | 9.803-964.0 | Plunger Rod | 3 |
| 47 | 9.803-965.0 | Connecting Rod Pin | 3 |
| 45 | 9.803-966.0 | Connecting Rod | 3 |
| 49 | 9.803-218.0 | Spring Washer | 6 |
| 50 | 8.933-020.0 | Connecting Rod Screw | 6 |
| 54 | 9.803-969.0 | O-Ring 2.62 x 107.62 | 1 |
| 53 | 9.803-968.0 | Crankcase Cover | 1 |
| 52 | 9.803-197.0 | Gasket, G3/4 | 1 |
| 51 | 9.803-202.0 | Sightglass G3/4 | 1 |

* Part available in kit (See below)

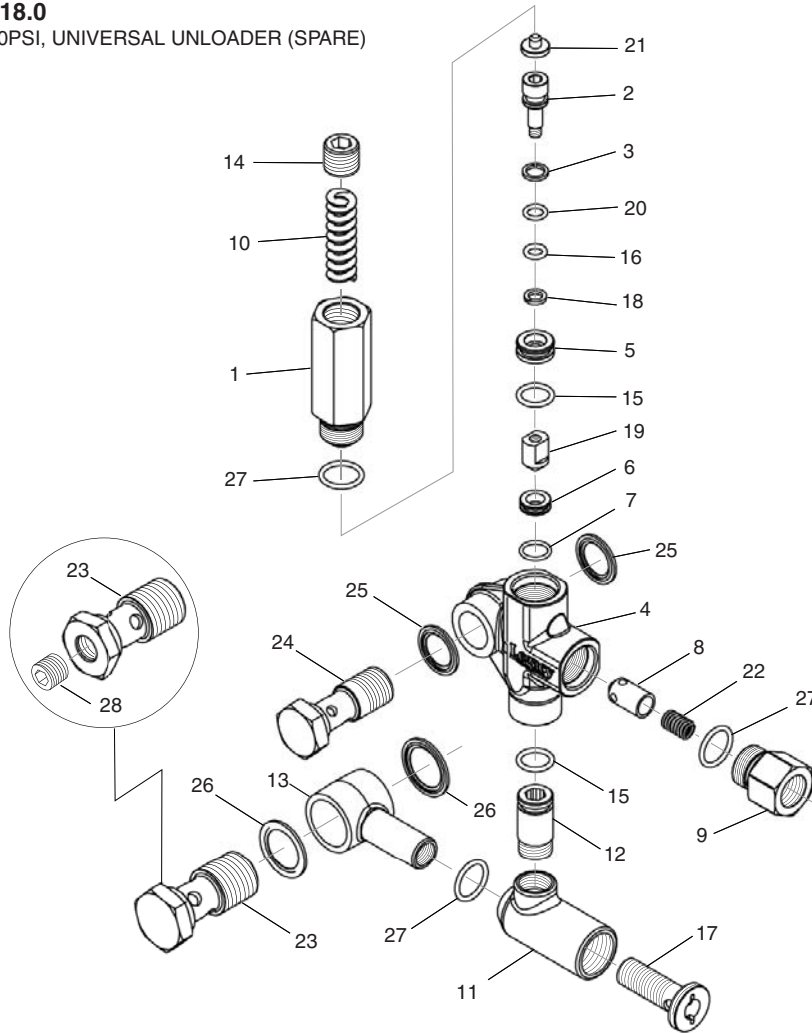
G2530G PUMP REPAIR KITS

| REPAIR KIT NUMBER | 8.725-354.0 | 8.725-355.0 | 9.803-934.0 | 9.803-936.0 | 9.803-937.0 |
|-----------------------|----------------------|-------------------------------|---------------------------|----------------|-------------------|
| KIT DESCRIPTION | Plunger Seal 15mm | Complete Seal Packing 15mm | Plunger 15mm | Complete Valve | Plunger Oil Seals |
| ITEM NUMBERS INCLUDED | 3, 5, 7, 8, 9 | 3, 4, 5, 6, 7, 8, 9 | 40, 41, 42, 43, 44, 45 | 13, 14, 15 | 2 |

UU1 UNLOADER EXPLODED VIEW

9.175-018.0

UU1 3500PSI, UNIVERSAL UNLOADER (SPARE)



UU1 UNLOADER EXPLODED VIEW PARTS LIST

| ITEM | PART # | DESCRIPTION | KIT | QTY | ITEM | PART # | DESCRIPTION | KIT | QTY |
|------|-------------|-------------------------------|-----|-----|--------------|-------------|----------------------------------|-----|-----|
| 1 | 8.749-792.0 | Piston Housing | | 1 | 17 | 9.149-006.0 | Sliding Connector Guide | | 1 |
| 2 | | Piston | C | 1 | 18 | | O-Ring Backup 6 x 1.45 x 1.68 | A | 1 |
| 3 | | Piston O-Ring Back Up | A | 1 | 19 | | Conical Seal | C | 1 |
| 4 | 8.749-796.0 | Main Block | | 1 | 20 | | O-Ring 6.75 x 1.78 BN80 | A | 1 |
| 5 | 9.152-372.0 | Piston Ring | | 1 | 21 | | Spring Seat | C | 1 |
| 6 | | Ball Seat | C | 1 | 22 | | Plunger Spring | B | 1 |
| 7 | | O-Ring 10.5 ID x 1.5 CS | A,C | 1 | 23 | 8.917-699.0 | Banjo Bolt 1/2" Short | | 1 |
| 8 | | Plunger | B | 1 | | 8.917-700.0 | Banjo Bolt 1/2"-1/4" NPT Short | | 1 |
| 9 | 9.152-016.0 | Plunger Housing | | 1 | | 8.917-698.0 | Banjo Bolt 3/8" Short | | 1 |
| 10 | | Bypass Spring | C | 1 | 24 | 8.917-698.0 | Banjo Bolt 3/8" Short | | 1 |
| 11 | 9.149-001.0 | Low Pressure Port | | 1 | 25 | 9.802-893.0 | Seal Washer 3/8" | | 2 |
| 12 | 9.152-017.0 | Sliding Connector, 30mm | | 1 | 26 | 9.803-921.0 | Seal Washer 1/2" | | 2 |
| | 8.762-005.0 | Sliding Connector, 40mm, Long | | 1 | | 9.802-893.0 | Seal Washer 3/8" | | 2 |
| 13 | 9.149-002.0 | Sliding Connector H 1/2" | | 1 | 27 | | O-Ring 15 ID x 2CS A,B | | 3 |
| | 9.149-005.0 | Sliding Connector H 3/8" | | 1 | 28 | 8.706-865.0 | Plug, 1/4" Countersunk | | 1 |
| 14 | 9.196-011.0 | Plug 5/8 -18 UNF | | 1 | Kit A | 9.104-038.0 | O-Ring Repair Kit | | |
| 15 | | O-Ring 12 ID x 2 CS | A | 2 | Kit B | 9.104-039.0 | Outlet Kit | | |
| 16 | | O-Ring 6 ID X 2 CS | A | 1 | Kit C | 9.104-040.0 | Stem Repair Kit | | |