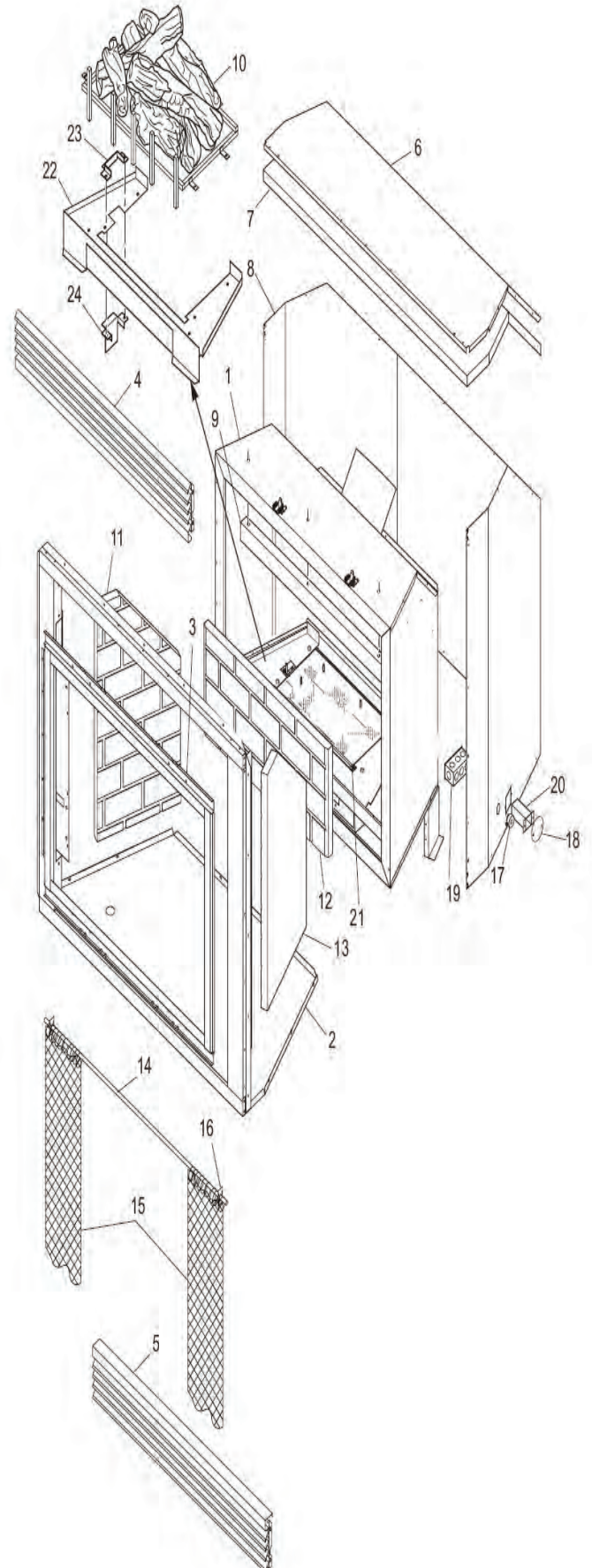


FMI Tudor 36" Direct Vent Firebox

MODELS: TC36N, TC36P, TC36NB, TC36PB, TC36NE, TC36PE, TC36NBE, TC36PBE

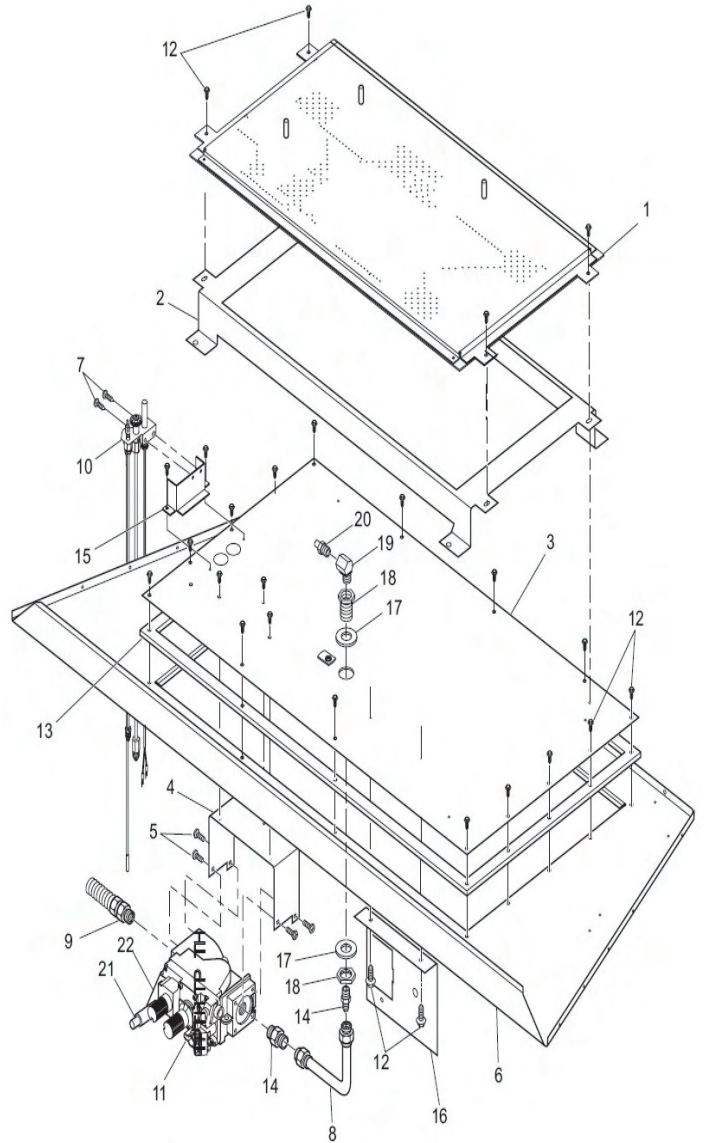
	Part Number	Description
1	**	Firebox Assembly
2	**	Face Weldment
3	108010-01	Door Assembly
4	108011-01	Top Louver Assembly
5	108011-02	Bottom Louver Assembly
6	**	Fireplace Top
7	**	Fireplace Top Insulation
8	**	Fireplace Surround
9	109082-01	Heat Shield
10	116214-01	Log Set Assembly
11	110989-02	Left Refractory Brick Panel
12	110991-02	Rear Refractory Brick Panel
13	110990-02	Right Refractory Brick Panel
14	108719-01	Screen Rod
15	12105	Screen
16	11418	Push-On Nut
17	14123	Strain Relief
18	21171	Gas Knock-Out Cover
19	24353	Handy Box Assembly
20	24460	Gas Conduit Assembly
21	116209-01	Burner Assembly NG
	116209-02	Burner Assembly LP
	116209-05	Burner Assembly High Altitude
22	116373-01	Plenum
23	118372-01	Top Pilot Shield
24	120945-01	Bottom Pilot Shield
PARTS AVAILABLE - NOT SHOWN		
	25487	Lava Rock/Bag Assembly



FMI Tudor 36" Direct Vent Millivolt Burner Assembly

MODELS: TC36N, TC36P, TC36NB, TC36PB

	Part Number	Description
1	**	Burner Pan Assembly
2	**	Base Grate
3	**	Firebox Base Bottom
4	26808	Valve Bracket
5	11107	Screw, #10-32 x 1/4 Zinc
6	**	Firebox Bottom
7	11102	Screw, #8-32 x 3/8 Zinc
8	121877-01	Aluminum Tubing Assembly
9	111288-02	Flex Gas Line
10	108084-02	Pilot Assembly NG
	108084-03	Pilot Assembly LP
	108084-05	Pilot Assembly (-HA Models)
11	14389	Natural Gas Valve
	14390	Propane/LP Gas Valve
	117370-01	Natural Gas High Altitude Valve
12	11165	Screw, #10 x 5/8 Zinc
13	111913-01	Burner Base Gasket
14	14500	Brass Fitting
15	116345-01	Pilot Bracket
16	26827	Switch Bracket
17	11226	Flat Washer 7/8" ID x 2" OD
18	11214	Bulkhead Fitting with Washer
19	14296	Elbow 3/8"
20	23102	Burner Orifice #40 NG
	23096	Burner Orifice #53 LP
21	14492	Piezo Ignitor
22	14511	Piezo Bracket
PARTS AVAILABLE - NOT SHOWN		
	108085-03	Pilot Injector #62 (-HA Models Only)



FMI Tudor 36" Direct Vent Elec. Ign. Burner Assembly

MODELS: TC36NE, TC36PE, TC36NBE, TC36PBE

Part Number	Description
1	** Burner Pan Assembly
2	** Base Grate
3	** Bottom Firebox Base
4	26808 Valve Bracket
5	11107 Screw, #10-32 x 1/4 Zinc
6	** Firebox Bottom
7	11102 Screw, #8-32 x 3/8 Zinc
8	121877-01 Aluminum Tubing Assembly
9	111288-02 Flex Gas Line
10	108866-01 Electric Pilot Assembly NG
	108866-02 Electric Pilot Assembly LP
11	14569 Electric Valve Assembly NG
	14570 Electric Valve Assembly LP
12	11165 Screw #10 x 5/8 Zinc
13	111913-01 Burner Base Gasket
14	14500 Brass Fitting
15	116345-01 Pilot Bracket
16	26827 Switch Bracket
17	11226 Flat Washer, 7/8" IDx1 1/4" OD
18	11214 Bulkhead Fitting with Washer
19	14296 Elbow, 3/8"
20	23102 Gas Orifice #40 NG
	23096 Gas Orifice #53 LP
21	11186 Screw, #8 x 32 x 1 Zinc
22	110286-01 Ignition Module
23	11147 Screw, 10-24 x 1/2 BLK
24	14129 Transformer, 24V Class 2
25	116659-01 Crimp-on Terminal Ring
26	108863-01 24" Supply Connect Plug
27	14149 Spade 1/4 F RT. Angle
28	14126 16 GA Green Wire
29	14134 18 GA Black Wire
30	14520 Spade 1/4 Female Connector
31	17223 Magnet
32	23416 Electronic Components Board
33	11201 Nut, 8-32 Hex Zinc

