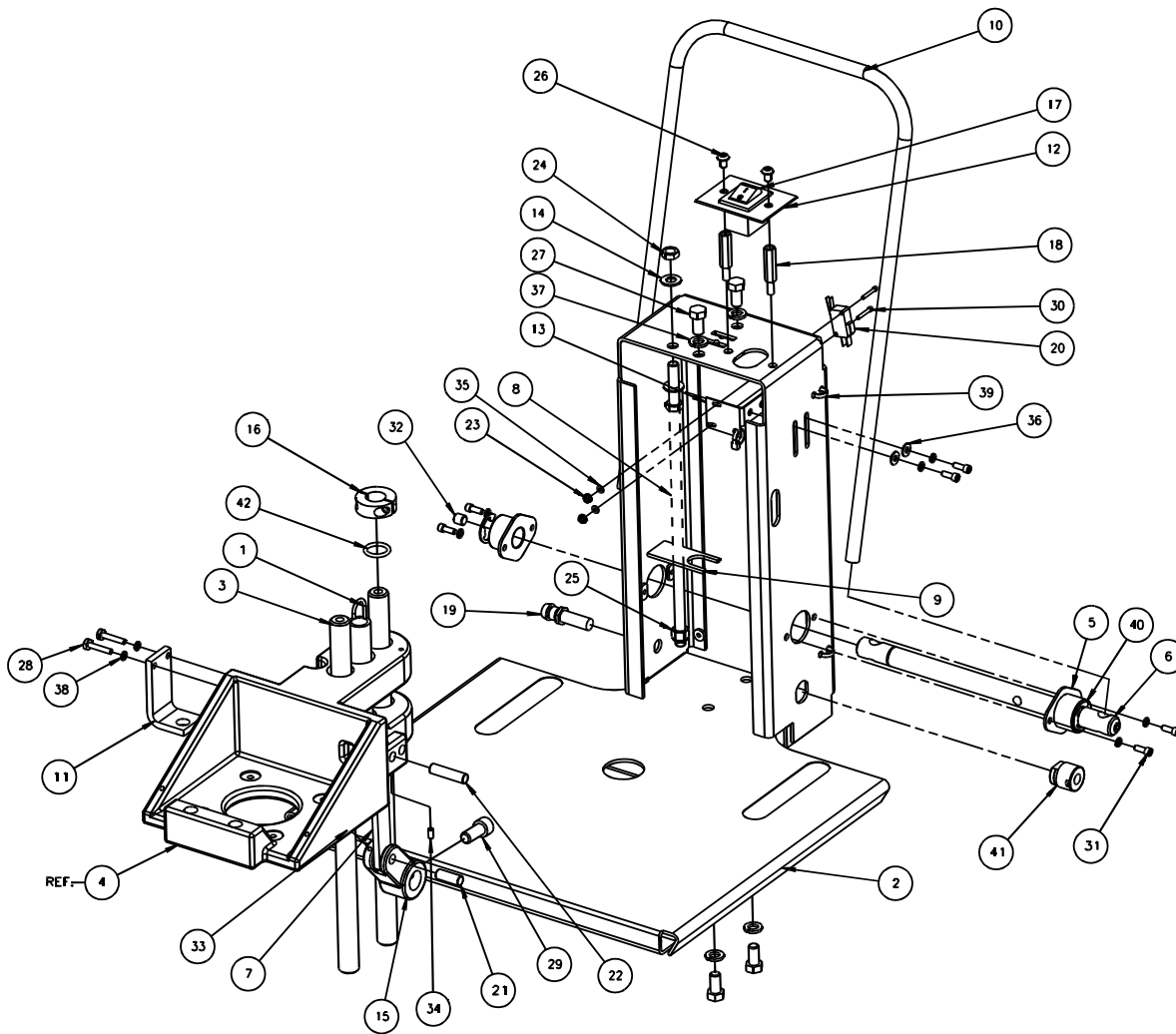


# 11.0 Parts Lists

## 11.1 Main Assembly – Arch

64000 Sht. 1



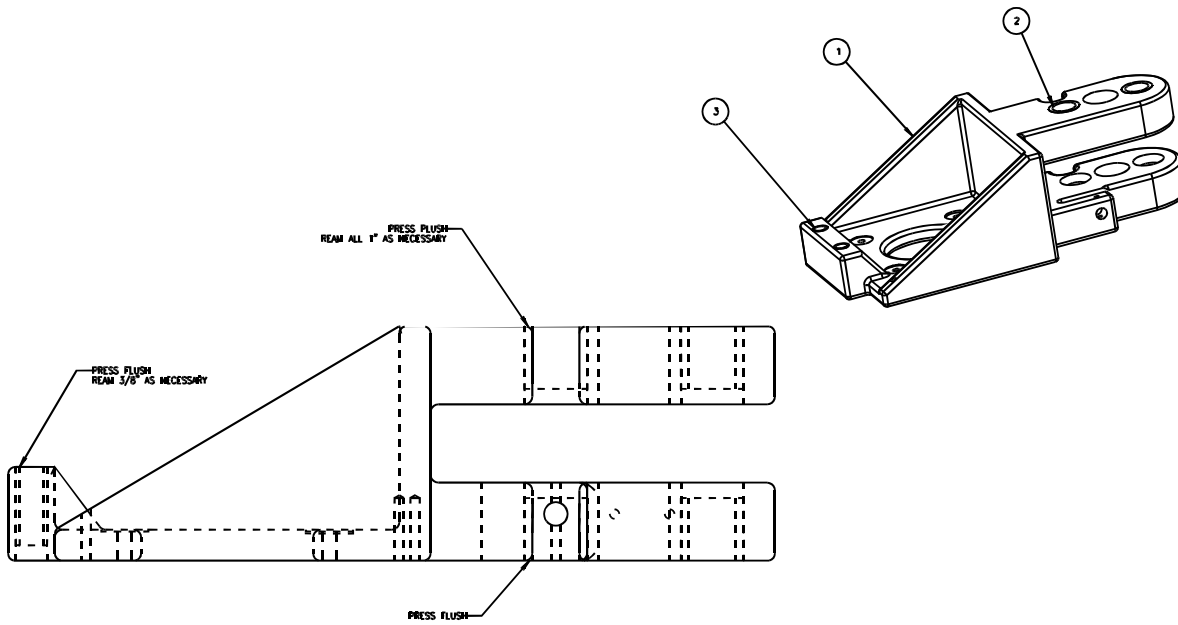
## Main Assembly – Arch

64000 Sht. 1

| Item | Part No.      | Description                          | Qty. |
|------|---------------|--------------------------------------|------|
| 1    | 6385          | EXTENSION SPRING                     | 1    |
| 2    | 64001         | DRILL BASE                           | 1    |
| 3    | 64005         | GUIDE ROD                            | 2    |
| 4    | 64007         | MOTOR BRACKET                        | 1    |
| 5    | 64008         | FLANGE BEARING                       | 2    |
| 6    | 64009         | LEVER SHAFT                          | 1    |
| 7    | 64010         | PULL-DOWN LINK                       | 1    |
| 8    | 64011         | ADJUSTMENT ROD                       | 1    |
| 9    | 64012         | STOP                                 | 1    |
| 10   | 64013-1       | PULL-DOWN LEVER                      | 1    |
| 11   | 64014         | SPRING BRACKET                       | 1    |
| 12   | 64024         | SWITCH PLATE                         | 1    |
| 13   | 64047         | SWITCH BRACKET                       | 1    |
| 14   | 11288-5       | NYLON WASHER                         | 2    |
| 15   | 6390-2        | PULL DOWN LEVER                      | 1    |
| 16   | A-10081-6     | SPLIT COLLAR                         | 1    |
| 17   | E-1140-11     | ROCKER SWITCH                        | 1    |
| 18   | E-1152-106    | STANDOFF                             | 2    |
| 19   | E-530-13      | CARRIER- FUSE                        | 1    |
| 20   | E-866-4       | MICROSWITCH                          | 1    |
| 21   | H-5256-608    | DOWEL PIN - 3/8 X 1 HD GD            | 1    |
| 22   | H-5256-612    | DOWEL PIN - 3/8 X 1-1/2 HD GD        | 1    |
| 23   | H-6423-#4     | NUT - #4-40 HEX KEP                  | 2    |
| 24   | H-6424-6      | NUT - 3/8-16 HEX JAM                 | 2    |
| 25   | H-6442-6      | NUT - 3/8-16 NYLOC                   | 1    |
| 26   | H-6910-403    | SCREW - 1/4-20 X 3/8 BUTTON HEAD CAP | 2    |
| 27   | H-6913-606    | SCREW - 3/8-16 X 3/4 HEX HEAD CAP    | 4    |
| 28   | H-6913-102408 | SCREW - #10-24 X 1 HEX HEAD CAP      | 2    |
| 29   | H-6918-708    | SCREW - 7/16-14 X 1 SOCKET HEAD CAP  | 1    |
| 30   | H-6918-44006  | SCREW - #4-40 X 3/4 SOCKET HEAD CAP  | 2    |
| 31   | H-6918-102404 | SCREW - #10-24 X 1/2 SOCKET HEAD CAP | 6    |
| 32   | H-6940-606    | SCREW - 3/8-16 X 3/8 FLAT SOC SET    | 2    |
| 33   | H-6940-102404 | SCREW - #10-24 X 1/4 FLAT SOC SET    | 1    |
| 34   | H-6940-102406 | SCREW - #10-24 X 3/8 FLAT SOC SET    | 1    |
| 35   | H-7321-#4     | WASHER - #4 SAE PLAIN                | 2    |
| 36   | H-7321-#10    | WASHER - #10 SAE PLAIN               | 2    |
| 37   | H-7327-12     | WASHER - 3/8 MEDIUM LOCK             | 4    |
| 38   | H-7327-#10    | WASHER - #10 MEDIUM LOCK             | 8    |
| 39   | S-1694        | TYRAP                                | 3    |
| 40   | S-1193-75     | E-RING - 3/4                         | 2    |
| 41   | S-1350-16     | STRAIN RELIEF BUSHING                | 1    |
| 42   | S-1810-16     | O-RING                               | 1    |

## 11.2 Main Assembly – Head

64000 Sht. 2



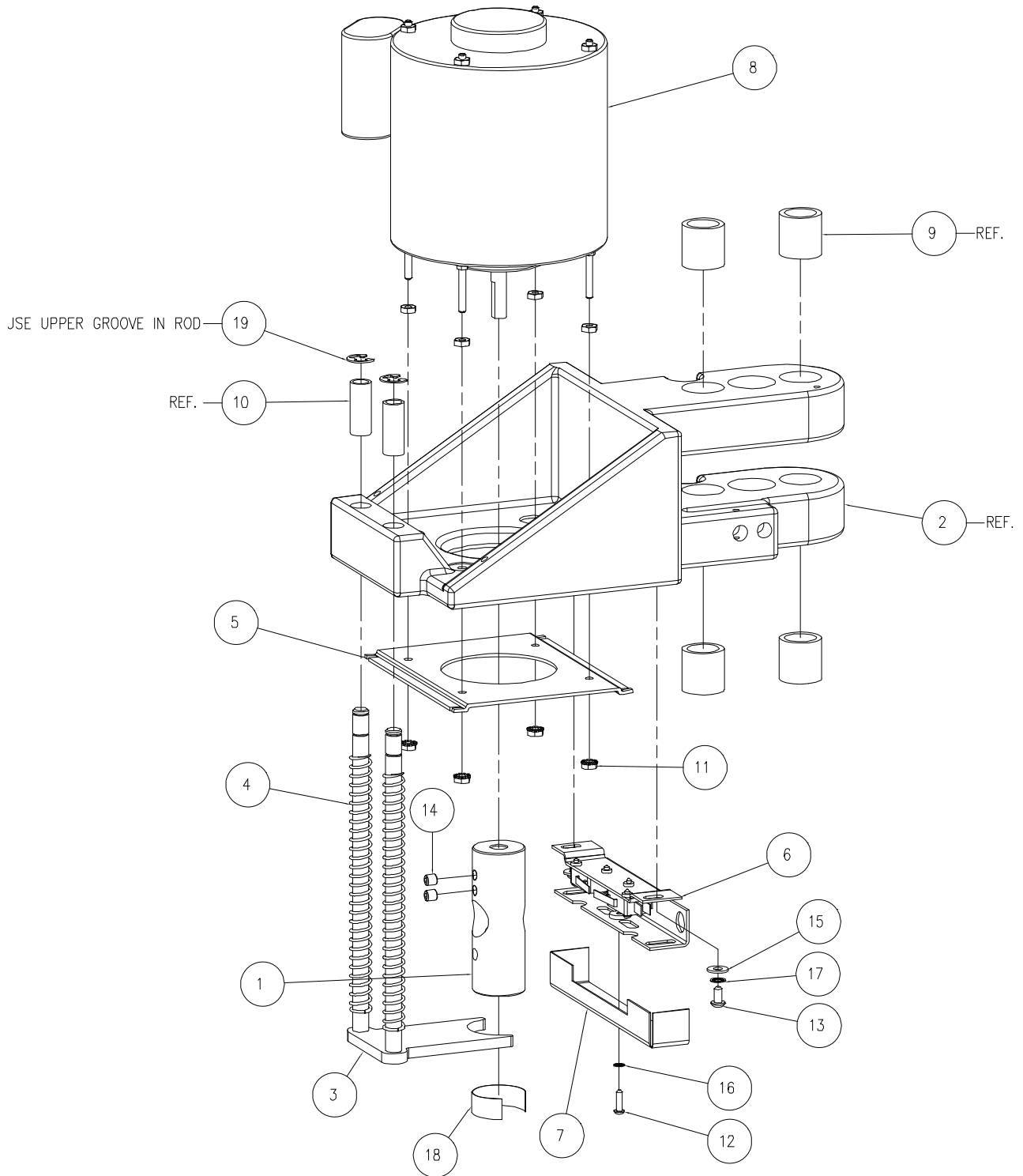
## Main Assembly – Head

64000 Sht. 2

| <b>Item</b> | <b>Part No.</b> | <b>Description</b> | <b>Qty.</b> |
|-------------|-----------------|--------------------|-------------|
| 1           | 64007           | MOTOR BRACKET      | 1           |
| 2           | A-10172-48      | BEARING - SLEEVE   | 4           |
| 3           | A-10172-55      | BEARING - SLEEVE   | 2           |

### 11.3 Main Assembly – Head

64000 Sht. 3



---

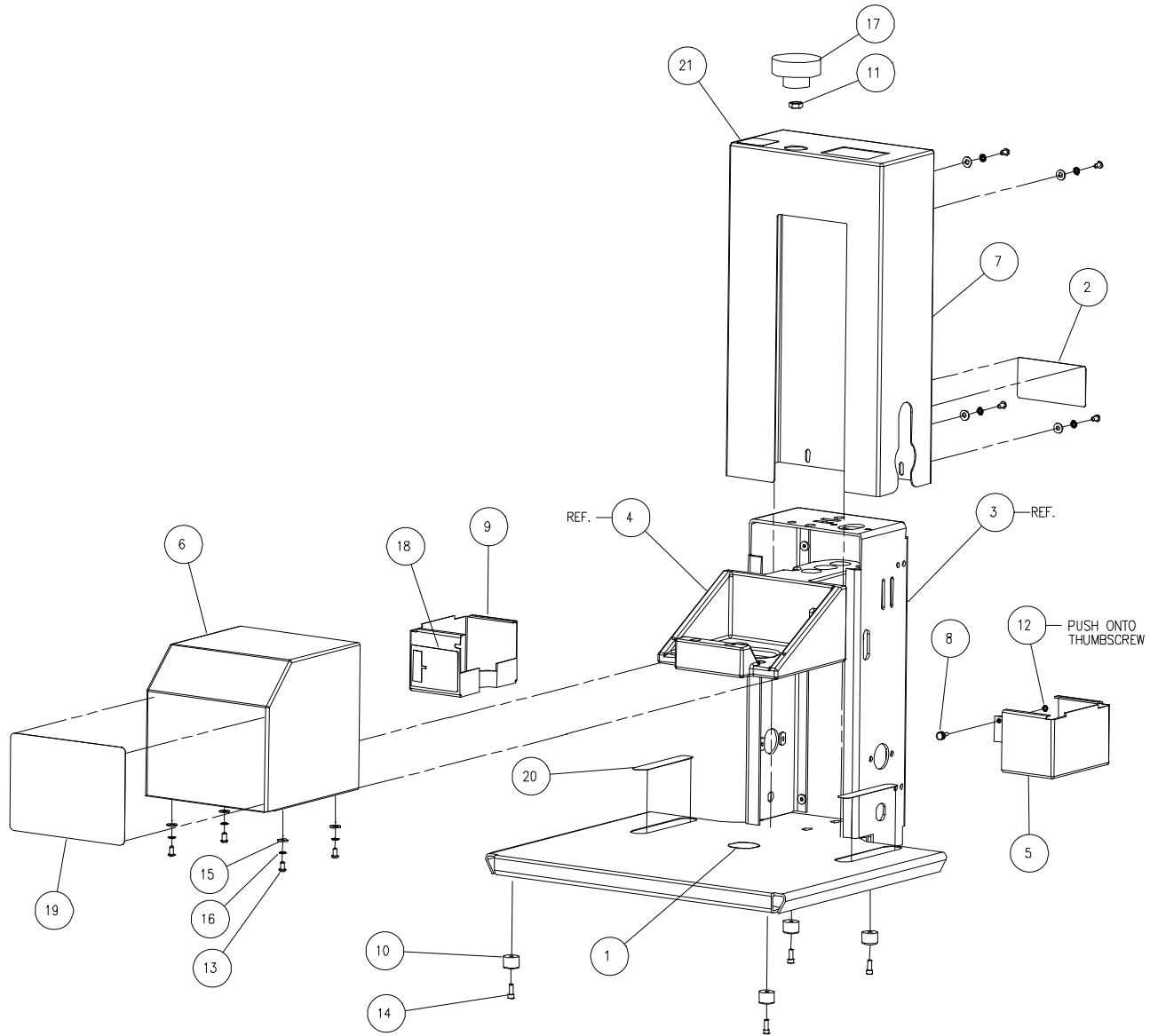
## Main Assembly – Head

64000 Sht. 3

| <b>Item</b> | <b>Part No.</b> | <b>Description</b>                   | <b>Qty.</b> |
|-------------|-----------------|--------------------------------------|-------------|
| 1           | 64006           | SPINDLE FOR 2-1/2" HOLLOW DRILLS     | 1           |
| 2           | 64007           | MOTOR BRACKET                        | 1           |
| 3           | 64017           | PRESSURE FOOT ASSEMBLY               | 1           |
| 4           | 64018           | PRESSURE FOOT SPRING                 | 2           |
| 5           | 64019           | CHIP COLLECTOR MOUNT                 | 1           |
| 6           | 64045           | SWITCH ASSEMBLY                      | 1           |
| 7           | 64046           | SWITCH COVER                         | 1           |
| 8           | 64050           | MODIFIED MOTOR- 1/10 HP              | 1           |
| 9           | A-10172-48      | BEARING - SLEEVE                     | 4           |
| 10          | A-10172-55      | BEARING - SLEEVE                     | 2           |
| 11          | H-6423-#8       | NUT - #8-32 HEX KEP                  | 4           |
| 12          | H-6910-63204    | SCREW - #6-32 X 1/2 BUTTON HEAD CAP  | 1           |
| 13          | H-6910-102403   | SCREW - #10-24 X 3/8 BUTTON HEAD CAP | 2           |
| 14          | H-6940-404      | SCREW - 1/4-20 X 1/4 FLAT SOC SET    | 2           |
| 15          | H-7321-#10      | WASHER - #10 SAE PLAIN               | 2           |
| 16          | H-7324-#6       | WASHER - #6 INT TOOTH                | 1           |
| 17          | H-7324-#10      | WASHER - #10 INT TOOTH               | 2           |
| 18          | K-85            | DRILL HOLE COVER                     | 1           |
| 19          | S-1193-37       | E-RING - 3/8"                        | 2           |

# 11.4 Main Assembly – Covers

64000 Sht. 4



---

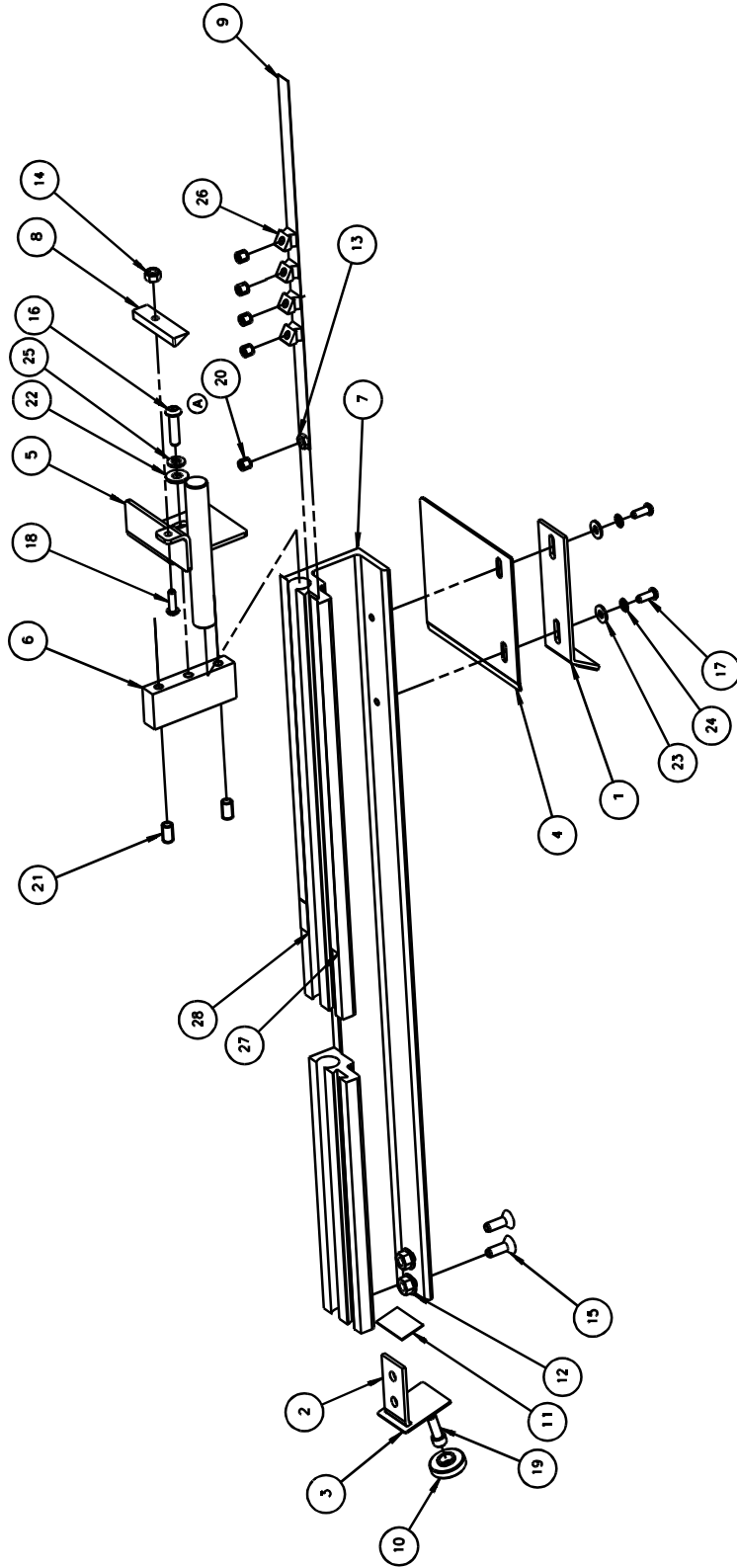
## Main Assembly – Covers

64000 Sht. 4

| Item | Part No.      | Description                          | Qty. |
|------|---------------|--------------------------------------|------|
| 1    | 4681          | DRILL BLOCK                          | 1    |
| 2    | 14050         | SERIAL PLATE                         | 1    |
| 3    | 64001         | DRILL BASE                           | 1    |
| 4    | 64007         | MOTOR BRACKET                        | 1    |
| 5    | 64020         | CHIP COLLECTOR - RH                  | 1    |
| 6    | 64022         | COVER                                | 1    |
| 7    | 64023         | COVER                                | 1    |
| 8    | 64053         | THUMBSCREW- #8-32                    | 1    |
| 9    | 64020-1       | CHIP COLLECTOR - LH                  | 1    |
| 10   | A-11074       | FOOT - RUBBER                        | 4    |
| 11   | H-6424-6      | NUT - 3/8-16 HEX JAM                 | 1    |
| 12   | H-6463-#8     | NUT - PUSH-ON SCREW RETAINER         | 1    |
| 13   | H-6910-102403 | SCREW - #10-24 X 3/8 BUTTON HEAD CAP | 8    |
| 14   | H-6918-102404 | SCREW - #10-24 X 1/2 SOCKET HEAD CAP | 4    |
| 15   | H-7321-#10    | WASHER - #10 SAE PLAIN               | 8    |
| 16   | H-7324-#10    | WASHER - #10 INT TOOTH               | 8    |
| 17   | S-1753-2      | KNOB                                 | 1    |
| 18   | S-1781-143    | LABEL- CHIP COLLECTOR                | 1    |
| 19   | S-1781-144    | HANDY-DRILL NAMEPLATE                | 1    |
| 20   | S-1781-147    | SCALE                                | 2    |
| 21   | S-1781-152    | "UP LABEL"                           | 1    |

# 11.5 Backgauge Assembly

64026



## Backgauge Assembly

64026

| Item | Part No.      | Description                          | Qty. |
|------|---------------|--------------------------------------|------|
| 1    | 14001         | PLATE- BACKGAUGE                     | 1    |
| 2    | 64027         | CLAMP BRACKET                        | 1    |
| 3    | 64028         | DOVETAIL PLATE                       | 1    |
| 4    | 64029         | PLATE- TABLE EXTENSION               | 1    |
| 5    | 64032         | SIDE STOP ASSEMBLY                   | 1    |
| 6    | 64033         | SIDE STOP BLOCK                      | 1    |
| 7    | 64048         | BACKGAUGE- MACHINED                  | 1    |
| 8    | 14036-1       | STOP- BACKGAUGE                      | 1    |
| 9    | 4599-3        | STRIP PLATE- BACKGAUGE               | 1    |
| 10   | 8260-1        | KNURLED KNOB                         | 1    |
| 11   | A-7545        | CORK STRIP- 1-1/4 LONG               | 2    |
| 12   | H-6414-4      | NUT - 1/4-20 WHIZ LOCK               | 2    |
| 13   | H-6417-#10    | NUT - #10-24 HEX                     | 1    |
| 14   | H-6442-#10    | NUT - #10-24 NYLOC                   | 1    |
| 15   | H-6909-406    | SCREW - 1/4-20 X 3/4 FLAT HEAD CAP   | 2    |
| 16   | H-6910-408    | SCREW - 1/4-20 X 1 BUTTON HEAD CAP   | 1    |
| 17   | H-6910-102404 | SCREW - #10-24 X 1/2 BUTTON HEAD CAP | 2    |
| 18   | H-6910-102405 | SCREW - #10-24 X 5/8 BUTTON HEAD CAP | 1    |
| 19   | H-6918-406    | SCREW - 1/4-20 X 3/4 SOCKET HEAD CAP | 1    |
| 20   | H-6938-102404 | SCREW - #10-24 X 1/4 CUP SOC SET     | 5    |
| 21   | H-6940-408    | SCREW - 1/4-20 X 1/2 FLAT SOC SET    | 2    |
| 22   | H-7321-4      | WASHER - 1/4 SAE PLAIN               | 1    |
| 23   | H-7321-#10    | WASHER - #10 SAE PLAIN               | 2    |
| 24   | H-7324-#10    | WASHER - #10 INT TOOTH               | 2    |
| 25   | H-7327-8      | WASHER - 1/4 MEDIUM LOCK             | 1    |
| 26   | S-1611-1      | STOP                                 | 4    |
| 27   | S-1781-127    | SCALE- INCH                          | 1    |
| 28   | S-1781-150    | SCALE- METRIC                        | 1    |