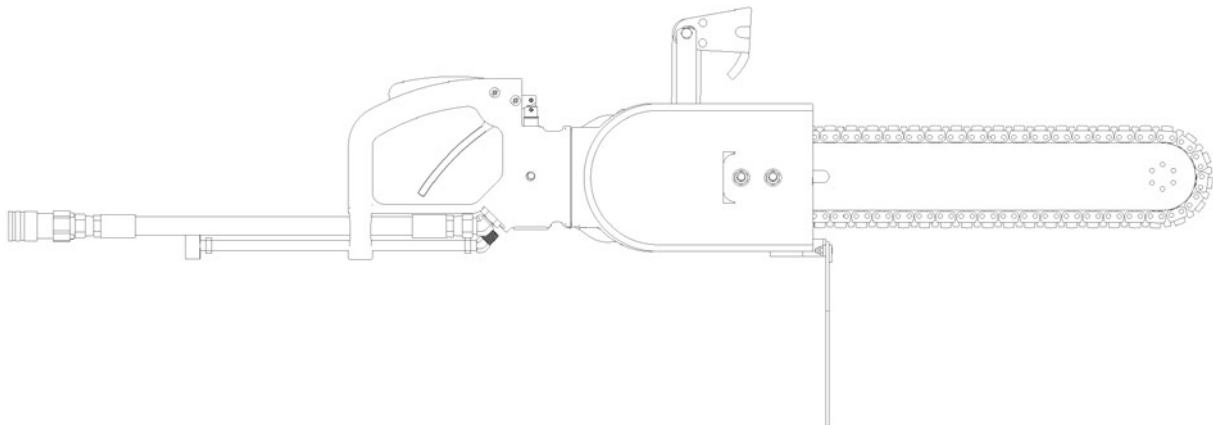




C120 HYDRACUTTER INSTRUCTIONS



REIMANN & GEORGER CORPORATION
CONSTRUCTION PRODUCTS
P/N 6129006

BUFFALO, NY
04/10/2019

7 PARTS LIST

The following parts list applies to the 12 gpm C120 HydraCutter only. The parts list for the hydraulic power source is in the separate manual supplied for that item. Each item number on the following parts list can be matched with the item number shown on the following assembly drawings.

Item Number	Part Number	Quantity	Description
---	5050418	1	HANDLE & VALVE ASSY complete (includes item #'s 1 – 21 below)
1	5029162	1	TRIGGER LOCK
2	5819950	1	TRIGGER LOCK SPRING
3	5029161	1	TRIGGER
4	6050901	1	SPOOL
5	5839951	2	TRIGGER & LOCK SCREW SET (2pc)
6	5604685	2	ADAPTER 45D 3/4"
7	6004627	1	SPOOL RETAINER
8	6011943	1	SPOOL COVER
9	5811928	4	SCREW FH 8-32 X 1/2 PHIL
10	5850902	1	OUTER SPOOL SPRING
11	5804654	1	INNER SPOOL SPRING
12	5804653	1	SCREW SHCS 8-32 X 1/2
13	7404608	2	OUTER QUAD RING
14	7404628	2	INNER QUAD RING
15	5804651	2	ROLL PIN 5/32 X 5/8
16	6014935	1	TRIGGER / SPOOL LINK
17	7419525	1	VALVE SEAL KIT (includes item #'s 10 – 16 above)
18	6001886	1	COUPLING FEMALE
19	6001885	1	COUPLING MALE
20	1697502	2	HYDR HOSE WHIP 12"
21	5650912	1	WATER HOSE ADAPTER 45D
22	5806140	1	WATER HOSE CLAMP
23	5619947	1	ADAPTER 1/8NPTM X 1/4BARB
24	7407160	1	WATER HOSE WASHER W/ FILTER
25	1919406	1	MAIN FRAME
26	7404780	1	MOTOR SHAFT GASKET 1-1/4"
27	6750907	1	DRIVE SPROCKET
28	5839945	1	DRIVE SPROCKET RETAINING RING
29	5804659	1	MOTOR MOUNT HARDWARE SET
30	5894901	2	NUT FLANGED 3/8-16
31	1950407	1	DRIVE SPROCKET COVER ASSY (includes seal & decal)
32	6250914	1	SPROCKET COVER DECAL
33	1950903	2	SPROCKET COVER & BAR MOUNTING STUD
34	1959151	1	BAR 15" .456 PITCH

34	1945710	1	BAR 10" .456 PITCH
	1945715	1	BAR 15" .456 PITCH
	1945720	1	BAR 20" .456 PITCH
	1945725	1	BAR 25" .456 PITCH
	1945730	1	BAR 30" .456 PITCH
35	5245701	1	CHAIN 50SEG .456 PITCH MC3/MX3-L
	5245703	1	CHAIN 50SEG .456 PITCH MC3/MX3-S
	5245711	1	CHAIN 57SEG .456 PITCH MC3/MX3-L
	5245713	1	CHAIN 57SEG .456 PITCH MC3/MX3-S
	5245721	1	CHAIN 67SEG .456 PITCH MC3/MX3-L
	5245723	1	CHAIN 67SEG .456 PITCH MC3/MX3-S
	5245731	1	CHAIN 79SEG .456 PITCH MC3/MX3-L
	5245733	1	CHAIN 79SEG .456 PITCH MC3/MX3-S
	5245623	1	CHAIN 90SEG .456 PITCH MC3/MX3-L
5245621	1	CHAIN 90SEG .456 PITCH MC3/MX3-S	
36	5819985	1	BAR ADJUSTMENT SCREW
37	1919901	1	BAR ADJUSTMENT PIN
38	5806141	1	BAR ADJUSTMENT NUT
39	1950401	1	AUX. HANDLE MOUNTING BAR
40	5806206	1	HHCS 1/4-20 X 3/4
41	5806394	3	WASHER FLAT EXT TOOTH 1/4"
42	1911928	1	HAND GUARD
43	6205646	1	HAND GUARD DECAL
44	1911210	1	AUX. HANDLE w/ GRIP ASSY
45	6539981	1	MOTOR 12GPM
46	1939519	1	MOTOR SEAL KIT
47	1919916	2	C120 HYDRACUTTER HAND GUARD STIFFENER
48	5806317	5	SHCS 1/4-20 X 3/4
49	5650911	1	WATER HOSE ADAPTER (HANDLE)
50	5804684	4	ADAPTER 90D 3/4
51	6050905	2	HYDR TUBE PRESSURE & RETURN
52	5806241	2	SCREW PH MS 1/4-20X1/2 PHIL SS
53	1950909	1	SPLASH GUARD MTG BRACKET
54	6411952	1	SPLASH GUARD 3/16 X 8 X 8
55	5819930	2	SCREW FLAT HD 8-32 X 3/4 PH CZP
56	1911309	1	SPLASH GUARD MTG CLAMP
57	5894103	2	NUT HEX NYLOCK 8-32 SS
58	5620869	1	WATER HOSE ADAPTER 90D (BAR)
59	5920843	.67 FT	WATER HOSE HANDLE TO BAR

60	1906150	2	TIP CLEANER WYPO #7 .018-.019
61	5119938	1	BEARING SLEEVE
62	5841075	2	RIVET
63	1919910	1	C120 HYDRACUTTER BAR CLAMP
64	5896955	3	WASHER FLAT SAE 1/4" SS
65	5901820	1	HOSE 1/4" PUSHLOK "BLACK"
66	7419101	1.92 FT	GASKET 3/16 X-PROFILE BUNA-N BLACK

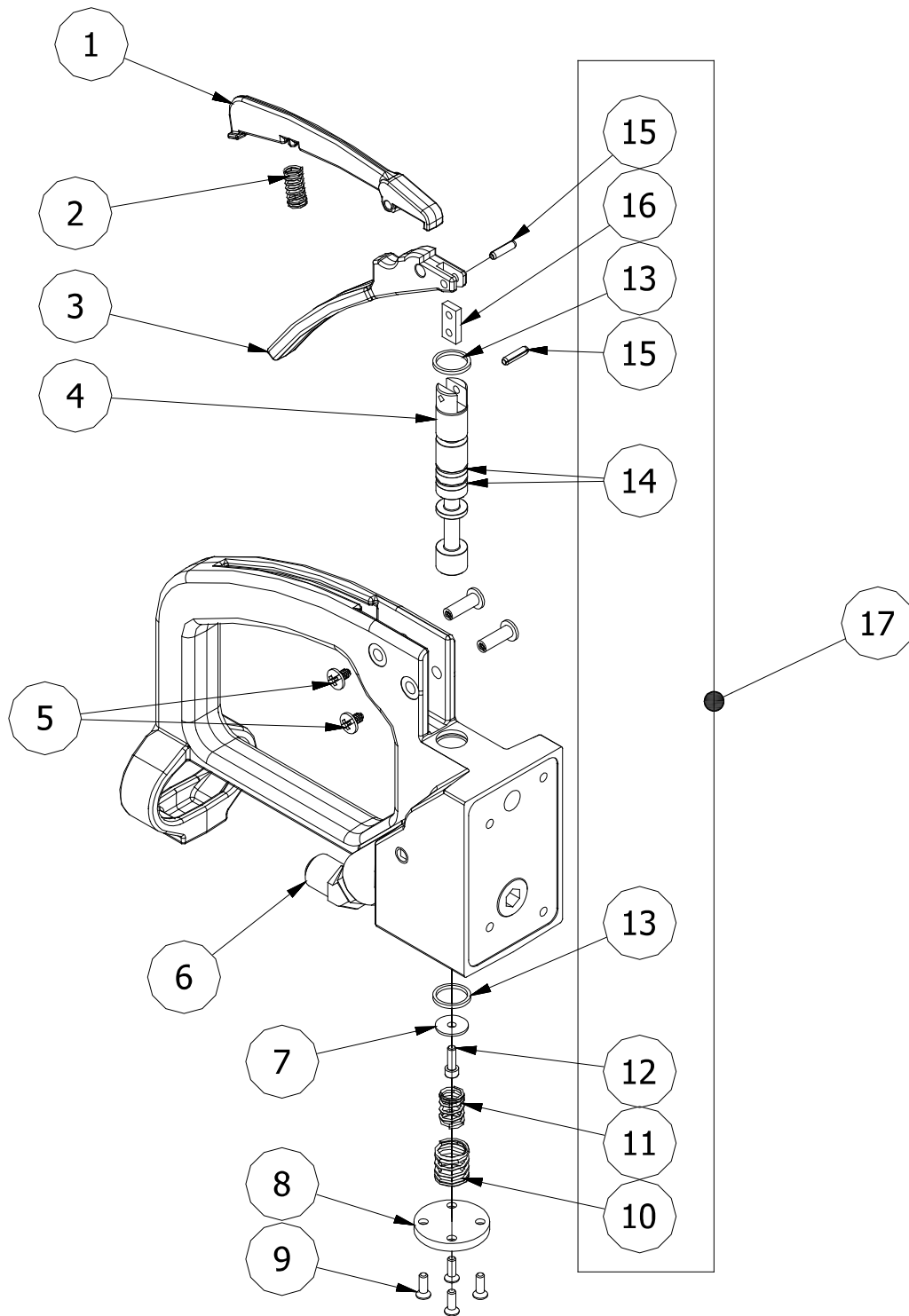


Figure 7-1.
C120 HydraCutter Handle & Valve Assembly

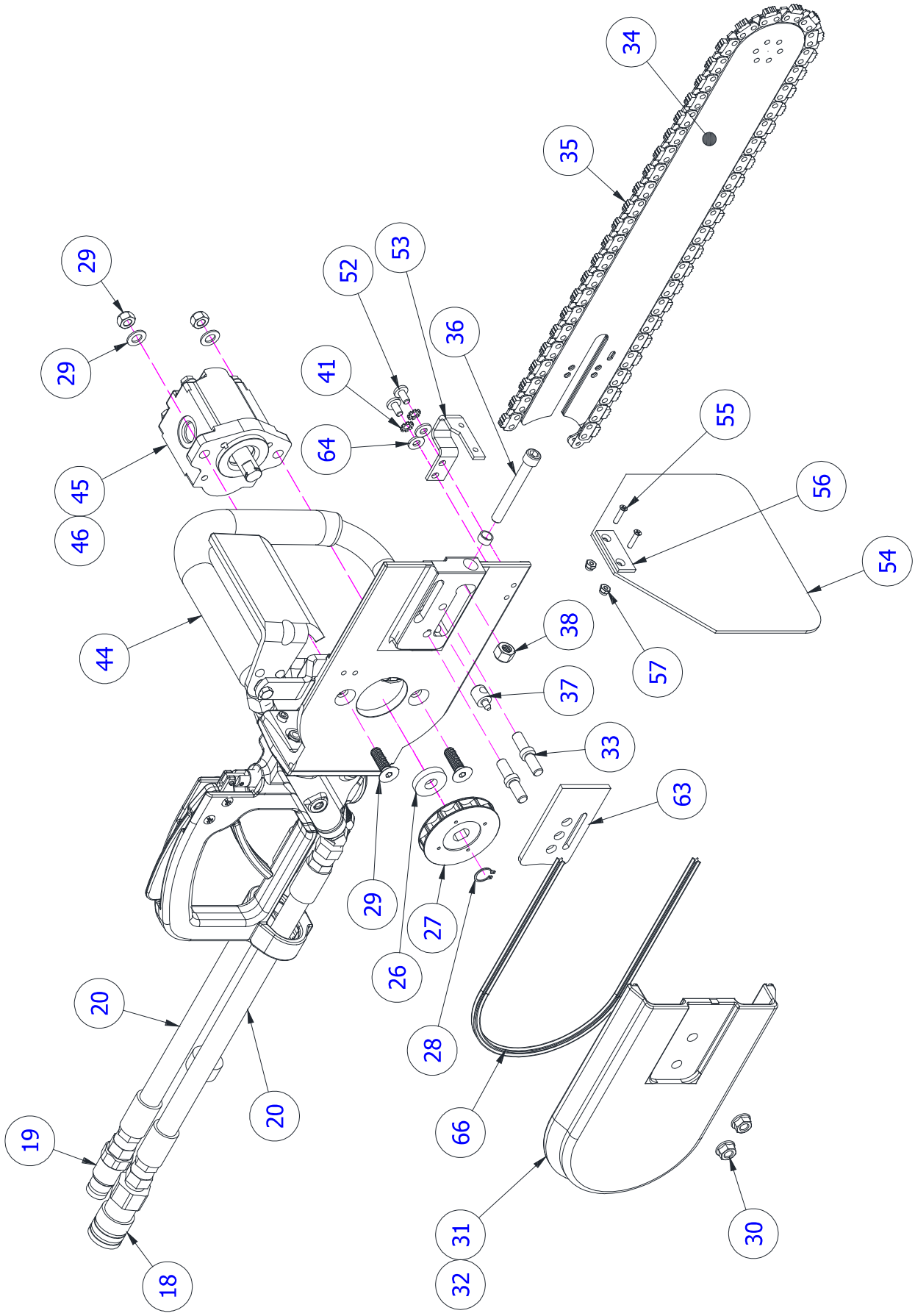


Figure 7-2.
C120 HydraCutter Assembly – Right Side View (Bar Side)

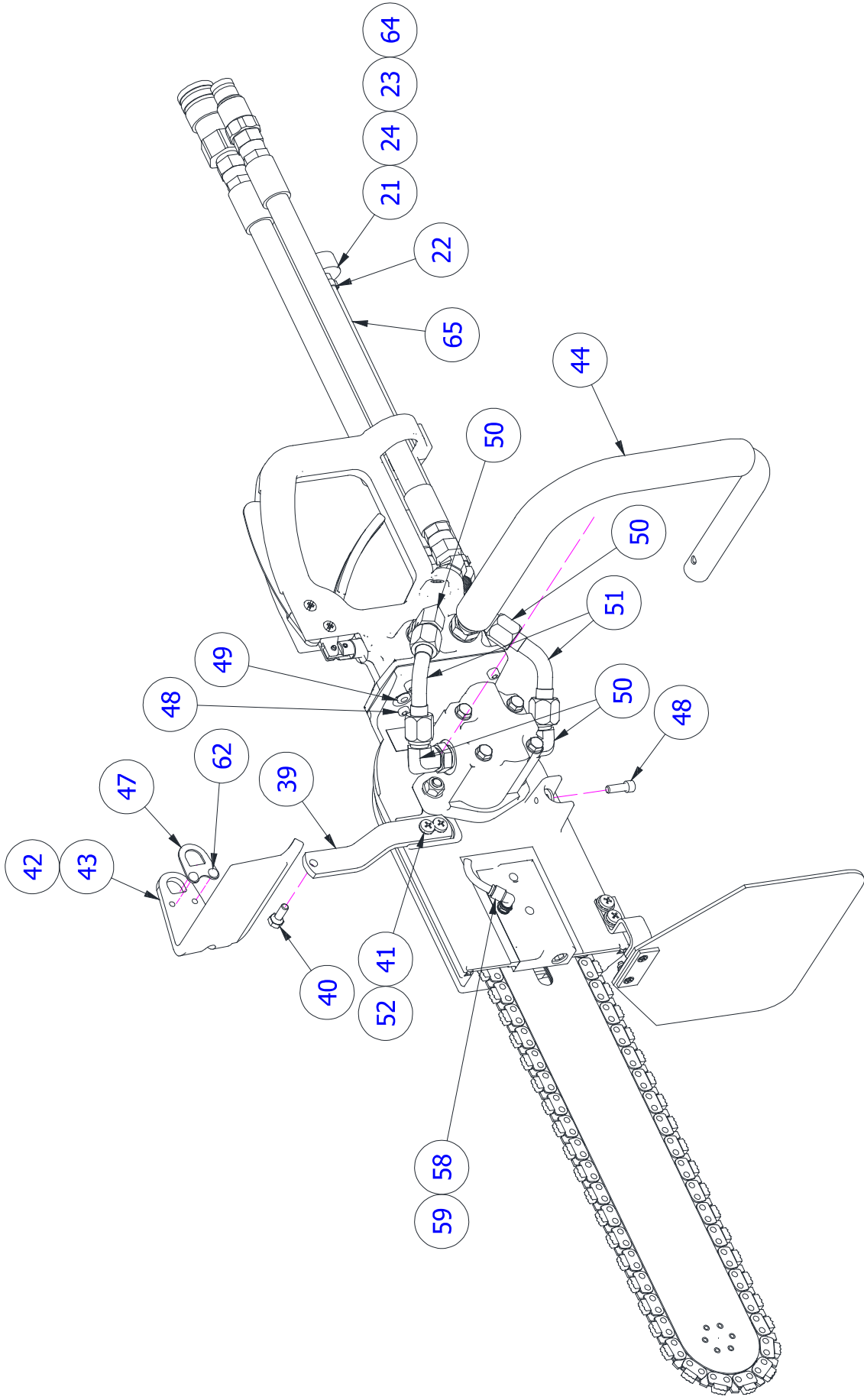


Figure 7-3.
C120 HydrCutter Assembly – Left Side View (Motor Side)