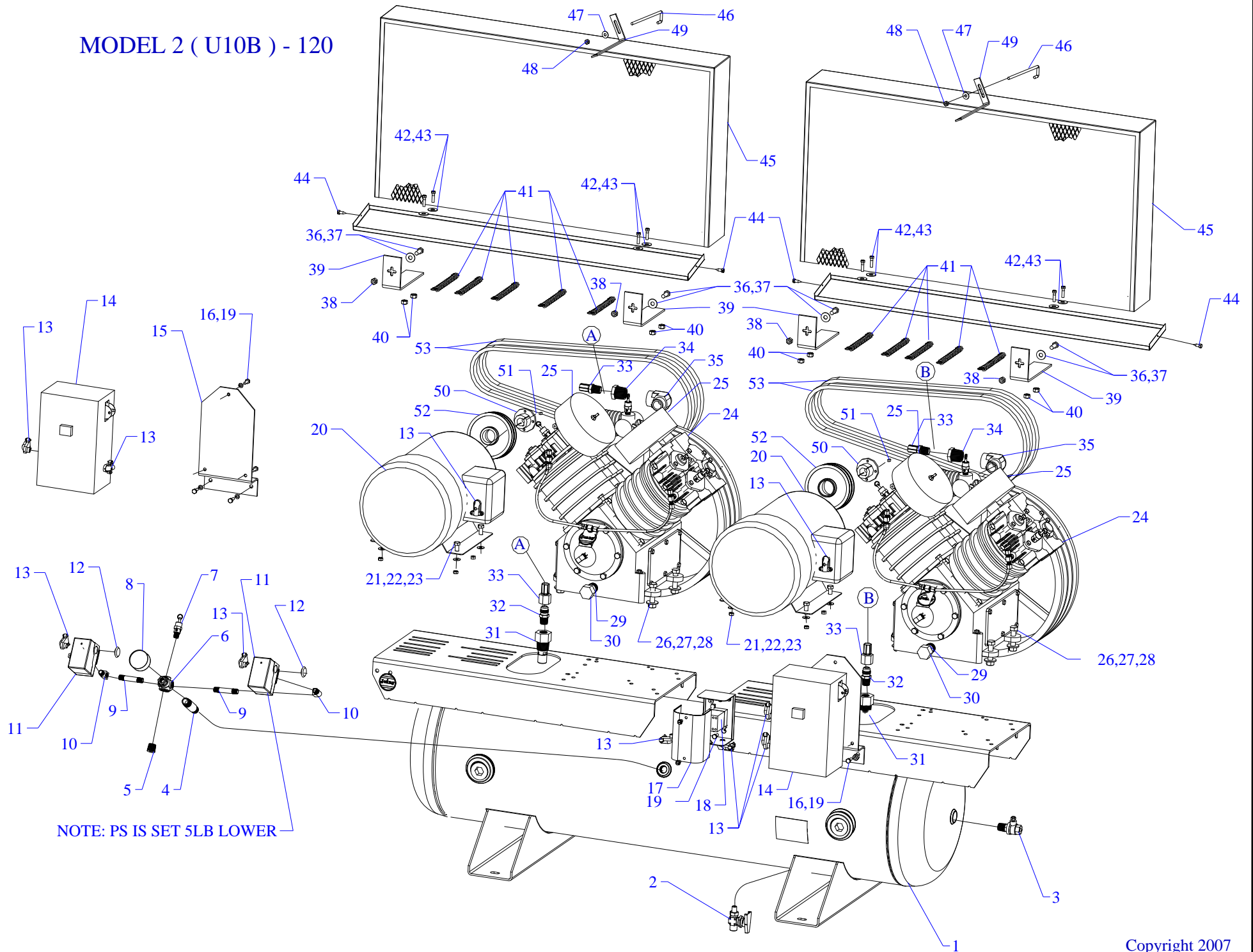


MODEL 2 (U10B) - 120



NOTE: PS IS SET 5LB LOWER

Parts List for Model 2(U10B)-120 Three Phase

NOTE: The quantity number indicates the total number of pieces required for a complete unit repair.

When ordering parts give compressor model, serial number and part number. Order assemblies when possible.

<u>REF. NO.</u>	<u>PART NO.</u>	<u>DESCRIPTION</u>	<u>QTY.</u>
1	411-1086	TANK,DUPLEX,120G,UNB,G&W&U&TE/UG,H120U1	1
2	141-1098	VALVE,BALL,DRAIN,1/4 TURN,1/4"M	1
3	141-1078	VALVE,BALL,OUTLET,1/4 TURN,1/2"M X 1/2"F	1
4	122-1146	NIPPLE,STEEL,SCH 80,PLTD,1/2" X 2-1/2" L	1
5	122-1047	PLUG,SOCKET,HEX,ST,PLTD,1/2" NPT	1
6	220-1122	BLOCK,MANIFOLD,ZINC,6 HOLE,TAPPED,MC-6	1
7	141-1011	VALVE,SAFETY,ASME,1/4",200 PSI,SVU200	1
8	142-1001	GAUGE,PSI,300#,BK MT,JENNY,2",1/4NPT,PG3	1
9	122-1030	NIPPLE,STEEL,SCH 40,1/4" X 2" L	2
10	122-1118	ELBOW,STREET,MI,PLTD,90 DEG,1/4"NPT	2
11	140-1072	SWITCH,PSI,2HP,115-175#,PB	2
12	JD3856	PLUG,HOLE,PLASTIC,BLACK,7/8"	2
13	123-1032	CONNECTOR,CABLE,BX,90 DEG,3/8"	8
14	330-1029	MAG STR 40A 3P 200/208/230V,MGSD-3-230	2
15	320-1080	BRACKET MAG STARTER 6X12	2
16	120-1113	NUT,HEX,STEEL,PLATED,1/4-20	6
17	140-1088-04	ENCLOSURE,MOUNTING,ALTERNATOR,9991-UE1	1
18	140-1088-02	RELAY,ALTERNATING,AUTO,600V,12A,230VAC	1
18*	140-1088-03	RELAY,ALTERNATING,AUTO,600V,12A,460VAC	1
19	120-1005	SCREW,FLANGE,HEX,SERR,ST,PLTD,1/4-20X3/4	9
20	130-1033	MOTOR,10HP,200/60/3,1725,ODP	2
	140-1028-E72	OVERLOAD,HEATER,STARTER,MAGNETIC,E72 200V	6
20*	130-1091	MOTOR,10HP,230-460/60/3,3650RPM,ODP	2
	140-1028-E69	OVERLOAD,HEATER,STARTER,MAGNETIC,E69 230V	6
	140-1028-E57	OVERLOAD,HEATER,STARTER,MAGNETIC,E57 460V	6
21	120-1290	SCREW,MACH,HEXHD,GR5,ST,PL,3/8-16X1-1/4"	8

Parts List for Model 2(U10B)-120 Three Phase

NOTE: The quantity number indicates the total number of pieces required for a complete unit repair.

When ordering parts give compressor model, serial number and part number. Order assemblies when possible.

<u>REF. NO.</u>	<u>PART NO.</u>	<u>DESCRIPTION</u>	<u>QTY.</u>
22	120-1120	NUT,HEX,STEEL,PLATED,3/8 16 PL	8
23	120-1075	WASHER,FLAT,STEEL,PLATED,5/16"	8
24	421-1604	PUMP,CMPRSR,PISTON,REPLCMT,BLUE,U	2
25	160-1057	FILTER,INTAKE,AIR,1"NPTM,FA1	4
26	120-1052	SCREW,CAP,HEXHD,GR5,ST,PLTD,1/2-13X2-1/2	8
27	120-1124	NUT,HEX,STEEL,PLATED,1/2-13	8
28	120-1080	WASHER,FLAT,STEEL,PLATED,1/2"	16
29	122-1085	CAP,HEX,STEEL,PLATED,1/2"NPT	2
30	122-1089	NIPPLE,STEEL,SCH 40,1/2" X 2-1/2" L	2
31	141-1037	VALVE,CHECK,INSERT,1"M X 3/4", 134	2
32	121-1011	CONNECTOR,MALE,BRASS,3/4-45SAEX3/4"NPTM	2
33	360-1403	AFTERCOOLER,HOSE,SS,TEFLON,3/4"ODX30"L	2
34	122-1073	BUSHING,REDUCER,HEX,ST,PLTD,1" X 3/4"NPT	2
35	122-1053	ELBOW,STREET,MI,PLTD,90 DEG,1"NPT	2
36	120-1071	WASHER,FLAT,STEEL,PLATED,USS,1/4"	4
37	120-1267	SCREW,PAN HD,PHIL,STEEL,PL,1/4-20 X 1	4
38	120-1116	NUT,LOCK,FLANGE,HEX,SERR,ST,PLTD,1/4-20	4
39	320-1027-07	BM GRP - BRACKET,BELTGUARD,U,DUPLEX	4
40	120-1116	NUT,LOCK,FLANGE,HEX,SERR,ST,PLTD,1/4-20	8
41	120-1158	SPRING,ST,PL,#3 X 16" L (BELT GUARD)	8
42	120-1071	WASHER,FLAT,STEEL,PLATED,USS,1/4"	8
43	120-1243	SCREW,FLANGE,HEX,SERR,ST,PL,1/4-20X 1/2	8
44	120-1177	SCREW,SELF DRILL,HEX,ST,PL,12 X 3/4	10
45	320-1027-01	BELTGUARD,GAS,U,HONDA,SM&PT,ASSY,BLUE	2
46	120-1219	BOLT,"J",ST,PL,1/4-20 X 5-9/16 LENGTH	2

Parts List for Model 2(U10B)-120 Three Phase

NOTE: The quantity number indicates the total number of pieces required for a complete unit repair.

When ordering parts give compressor model, serial number and part number. Order assemblies when possible.

<u>REF. NO.</u>	<u>PART NO.</u>	<u>DESCRIPTION</u>	<u>QTY.</u>
47	120-1071	WASHER,FLAT,STEEL,PLATED,USS,1/4"	2
48	120-1115	NUT,HEX,ELASTIC,STEEL,PLATED,1/4-20	2
49	230-1132	BRACKET BELTGUARD U GAS	2
50	154-1113	BUSHING,PULLEY,TAPERED,SK,1-7/8	2
51	120-1109	KEY,STEEL,BLACK,5/16X5/16X 1-1/2" LENGTH	2
52	154-1080	PULLEY,CI,TG,SK,7.0PDB,3B70SK	2
53	154-5L800	BELT,VEE,B75.3,5L-800	6
NOT SHOWN	160-1060	ELEMENT,FILTER,INTAKE,AIR,U14,FE1	4
NOT SHOWN	105-1210	OIL,PUMP,SYNTHETIC,BLUE,1 GALLON,ESG	1
NOT SHOWN	330-1030	MAG STR,40A 3P 460V,SVC RPLMT,MGSD-3-460	2

NOTE:

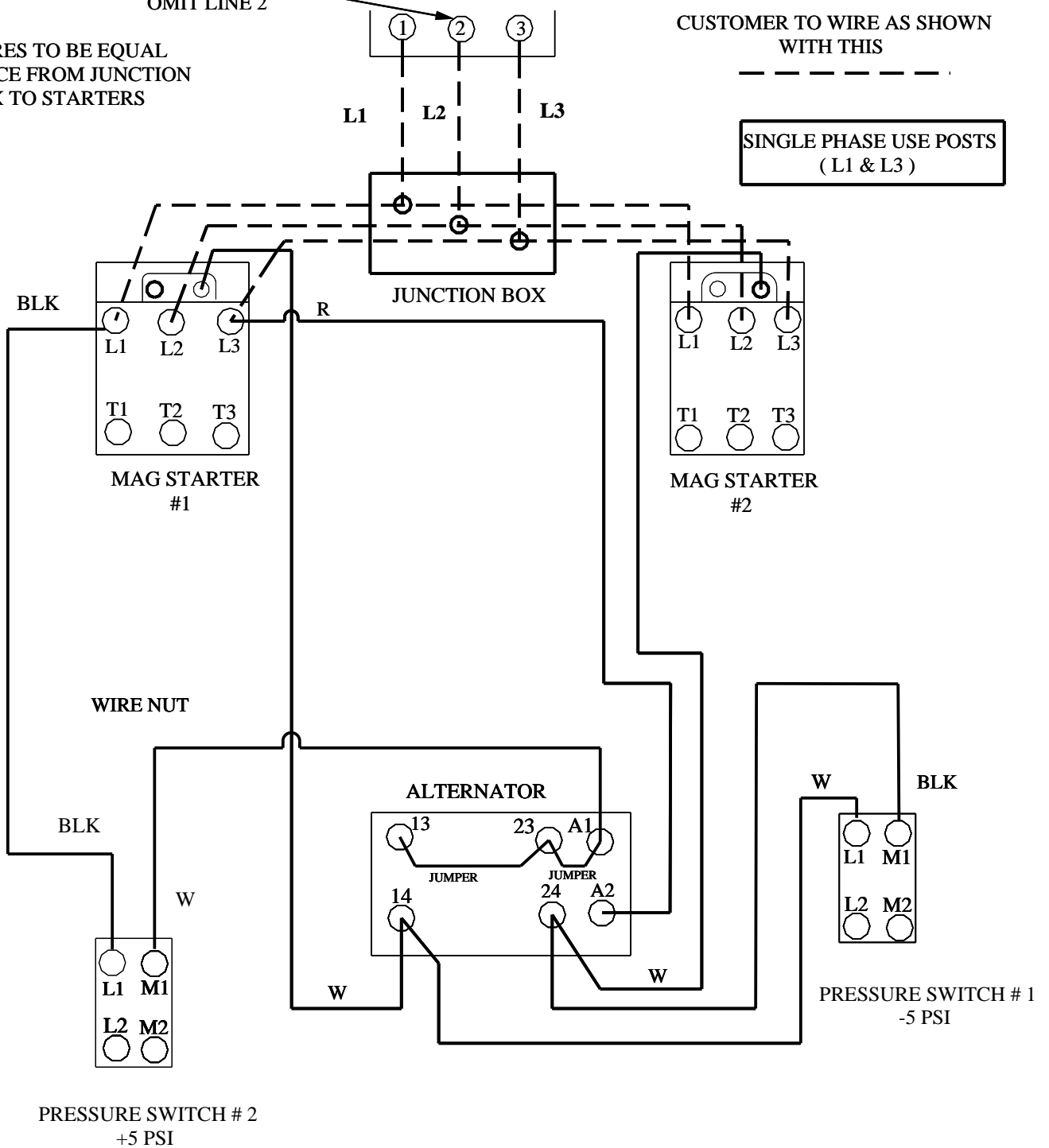
1. WIRES TO BE EQUAL DISTANCE FROM JUNCTION BOX TO STARTERS

SINGLE PHASE OMIT LINE 2

YOUR POWER SOURCE

CUSTOMER TO WIRE AS SHOWN WITH THIS

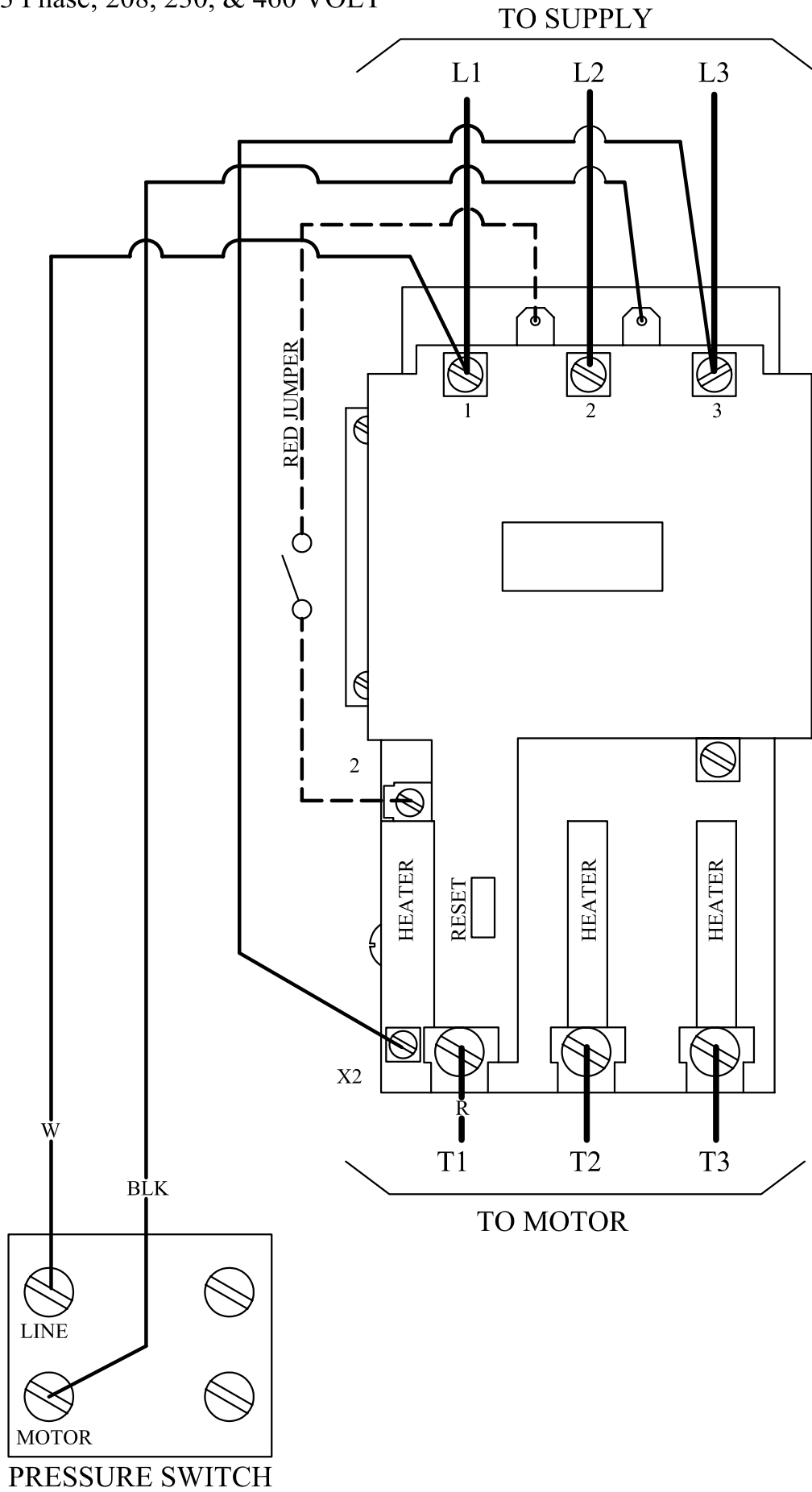
SINGLE PHASE USE POSTS (L1 & L3)



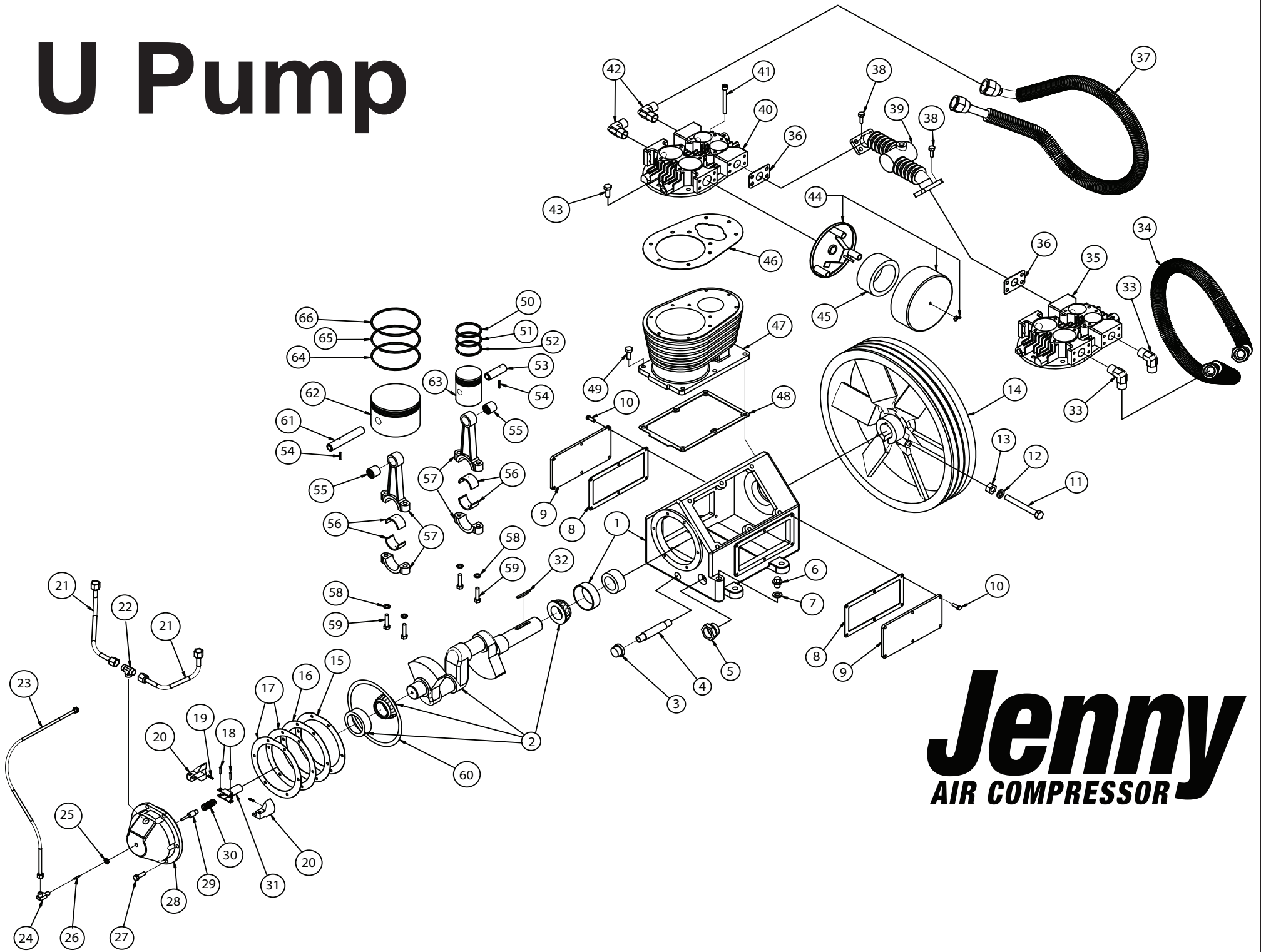
Itm	Qty	Description	Dwg No	Material	Size
DESIGN					
DRAWN		Rodney Kniss	11/24/05		
CHECKED					
APPROVED					
STANDARD TOLERANCES (UNLESS OTHERWISE NOTED) INCHES METRIC .X=±.030 .XXX=±.005 .X=±.1.0 .XXX=±.0.1 .XX=±.015 .XXXX=±.0005 .XX=±.0.5 .XXXX=±0.02 ANGLES=±1/4° ANGLES=±1/4° MACHINE FINISH- v125			TITLE DUPLEX WIRE DIGRAM		
FILENAME			SCALE	DRAWING NUMBER	SIZE
			NTS		A
					SH 1
					OF 1
					REV.

MAGNETIC STARTER WIRING DIAGRAM

3 Phase; 208, 230, & 460 VOLT



U Pump



Jenny
AIR COMPRESSOR

Parts List for Model U

NOTE: The quantity number indicates the total number of pieces required for a complete pump repair.
When ordering parts give compressor model, serial number and part number. Order assemblies when possible.

<u>REF. NO.</u>	<u>PART NO.</u>	<u>DESCRIPTION</u>	<u>QTY.</u>
1	631-48289	CRANKCASE,PUMP,U	1
2	631-48285	CRANKSHAFT & CONE ASSY REF: U	1
2A	631-98846	BEARING CUP REF: QMRU, 98846	2
2B	631-13414	CONE,BEARING,R-U PUMP	2
3	122-1085	CAP,HEX,STEEL,PLATED,1/2"NPT	1
4	122-1089	NIPPLE,STEEL,SCH 40,1/2" X 2-1/2" L	1
5	160-1053	GAUGE,SIGHT,LEVEL,OIL,1"NPT	1
6	631-76071	OIL FILLER PLUG REF: U, 76071	1
7	631-76072	OIL FILLER PLUG GSKT REF: U, 76072	1
8	631-48332	SIDE PLATE GSKT REF: U, 48332	2
9	631-48331	PLATE,SIDE,CRANKCASE,PUMP,U	2
10	120-1002	SCREW,CAP,HEXHD,GR5,ST,BLK,1/4-20X5/8	12
11	111300	SCREW,CAP,HEX HD,GR5,ST,PL,1/2-13X4-1/2"	1
12	120-1082	WASHER,LOCK,SPLIT,STEEL,PLATED,1/2"	1
13	120-1124	NUT,HEX,STEEL,PLATED,1/2-13	1
14	631-31010	ASSY,FLYWHEEL,3,GROVE,18" OD,R-U PUMP	1
15	631-38013	GASKET,COVER,END,U-PUMP	1
16	631-17279	GASKET,COVER,END, .006,THK,Q-U PUMP	1
17	631-17278	GASKET,COVER,END, .005,THK,Q-U PUMP	2
18	631-47957	RIVET,UNLOADER,Q-M-R-U-PUMP	2
19	631-38195	SPRING,BUMPER,WEIGHT,Q-M-R-U-T-PUMP	2
20	631-47952	WEIGHT,COUNTER,UNLOADER,Q-M-R-U-PUMP	2
21	631-48350	BREATHER TUBE REF: U,48350	2

Parts List for Model U

NOTE: The quantity number indicates the total number of pieces required for a complete pump repair.
When ordering parts give compressor model, serial number and part number. Order assemblies when possible.

<u>REF. NO.</u>	<u>PART NO.</u>	<u>DESCRIPTION</u>	<u>QTY.</u>
22	631-38074	CONNECTOR,TEE,BREATHER,U-PUMP	1
23	631-38923	TUBE,UNLOADING,U-PUMP	1
24	631-76281	CU VLV ASSY REF: QMRU, 76281	1
25	631-48070	LOCKNUT REF QMRU, 48070	1
26	631-48069	AIR VALVE REF:QMR, 48069	1
27	120-1022	SCREW,CAP,HEXHD,GR5,ST,PLTD,5/16-18X1	6
28	631-48290	CAP,BEARING,W/CUP,ASSY,PUMP,U	1
29	631-47958	PLUNGER,UNLOADER,Q-M-R-U-PUMP	1
30	631-47956	SPRING,UNLOADER,Q-M-R-U-PUMP	1
31	631-49913	WGT RTNR & SHAFT ASSYREF:QMRU, 49913	1
32	631-9396	FLYWHEEL KEY REF: RU, 9396	1
33	631-13620	CONNECTOR,ELBOW,INTERCOOL,90 DEG,M-R-U	3
34	631-48707	INTERCOOLER R H REF: U, 48707	1
35	631-77687	CYLINDER HEAD RH	1
36	631-48337	GSKT DIS MANIFOLD REF: U, 48337	2
37	631-48706	INTERCOOLER L H REF: U, 48706	1
38	631-992	SCREW,CAP,SOC HD,GR5,ST,PL,5/16-18X7/8	8
39	631-48310	MANIFOLD DISCHARGE REF: U, 48310	1
40	631-77688	CYLINDER HEAD LH	1
41	9421632	SCREW,CAP,SOC HD,GR5,ST,PL,5/16-18X3	4
42	631-48349	ELBOW45DG INTRCLR CONTRREF:U, 48349	1
43	120-1002	SCREW,CAP,HEXHD,GR5,ST,BLK,1/4-20X5/8	16
44	160-1057	FILTER,INTAKE,AIR,1"NPTM,FA1	2

Parts List for Model U

NOTE: The quantity number indicates the total number of pieces required for a complete pump repair.
When ordering parts give compressor model, serial number and part number. Order assemblies when possible.

<u>REF. NO.</u>	<u>PART NO.</u>	<u>DESCRIPTION</u>	<u>QTY.</u>
45	160-1060	ELEMENT,FILTER,INTAKE,AIR,U14,FE1	2
46	631-47939	GASKET,HEAD,CYLINDER,M-U-PUMP	2
47	631-47925	CYLINDER,M-U-PUMP	2
48	631-47923	GASKET,BASE,M-U-PUMP	2
49	120-1032	SCREW,CAP,HEXHD,GR5,ST,PLTD,3/8-16X1	12
50	631-47946	RING,COMPRESSION,TOP,HP,M-U-PUMP	2
51	631-47968	RING,COMPRESSION,BOTTOM,HP,M-U-PUMP	2
52	631-47947	RING,OIL,PISTON,HP,3 PIECE,PUMP,U	2
53	631-47949	PIN,WRIST,HP,M-U-PUMP	2
54	631-37007	PIN,ROLL,Q-M-R-U PUMP	4
55	631-14319	BEARING,PISTON,WRIST PIN,LP,Q-M-U PUMP	4
56	631-38275	INSERT,BEARING,R-U-PUMP	8
57	631-48284	CONNECTING ROD ASSY REF: U, 48284	4
58	120-1077	WASHER,LOCK,SPLIT,STEEL,PLATED,3/8"	8
59	631-14792	BOLT,ROD,CONNECTING,PUMP,U	8
60	631-48675	OIL FEEDER RING REF: U, 48675	1
61	631-47945	PIN,WRIST,LP,M-U-PUMP	2
62	631-47944	PISTON,LP,M-U-PUMP	2
63	631-47948	PISTON,HP,M-U-PUMP	2
64	631-47943	RING,OIL,PISTON,3 PIECE,PUMP,U	2
65	631-47942	RING,COMPRESSION,PISTON,W/SCRAPER,PUMP,U	2
66	631-47941	RING,COMPRESSION,PISTON,PUMP,U	2
67	631-690	ELBOW,BREATHER CONNCTR,REF: U, 690	2

Parts List for Model U

NOTE: The quantity number indicates the total number of pieces required for a complete pump repair.
When ordering parts give compressor model, serial number and part number. Order assemblies when possible.

<u>REF. NO.</u>	<u>PART NO.</u>	<u>DESCRIPTION</u>	<u>QTY.</u>
68	631-48350	BREATHER TUBE REF: U,48350	2
69	631-38074	CONNECTOR,TEE,BREATHER,U-PUMP	1
70	631-47938	GASKET,VALVE,HP,M-R-U-PUMP	4
71	631-50681	VALVE ASSYH P INLET REF: MRU, 50681	2
72	631-47930	CAGE,INLET,HP,M-R-U-PUMP	2
73	631-48144	VALVE LOCKNUT REF: MRU, 48144	4
74	631-47965	FINGERS,HP,INLET,UNLADDER,M-R-U-PUMP	2
75	631-47931	RING,O,HP,M-R-U-PUMP	4
76	631-48139	HLD DWN CVRHP(1/4)REF:MRU, 48139	2
77	631-47934	SCREW,CAP,COVER,5/16"-18 X 3/4",MRU-PUMP	16
78	631-47992	VALVE SPRING LP REF: MRU, 47992	4
79	631-47962	RING,O,PLUNGER,PUMP,U	4
80	631-47961	PLUNGER,VALVE,INLET,HP,PUMP,U	4
81	631-47933	RING,O,LP,M-R-U-PUMP	4
82	631-15362	ELBOW,MALE,BRASS,VALVE,INLET,PUMP,U	2
83	631-47966	TUBE,UNLOADER,VALVE,HEAD-HEAD,PUMP,U	2
84	631-42384	TEE,MALE,BRASS,VALVE,INLET,PUMP,U	2
85	631-48139	HLD DWN CVRHP(1/4)REF:MRU, 48139	1
86	631-47971	CAGE,DISCHARGE,HP,M-R-U-PUMP	2
87	631-47936	ASSY,VALVE,H P,DISCHARGE,M-R-U-PUMP	2
88	631-12949	CONNECTOR,BREATHER,ELBOW,BR,Q-M-R PUMP	1
89	631-47937	GASKET,VALVE,LP,M-R-U-PUMP	4
90	631-48141	VALVE ASSY LP DISCHGREF:MRU, 48141	2

Parts List for Model U

NOTE: The quantity number indicates the total number of pieces required for a complete pump repair.
When ordering parts give compressor model, serial number and part number. Order assemblies when possible.

<u>REF. NO.</u>	<u>PART NO.</u>	<u>DESCRIPTION</u>	<u>QTY.</u>
91	631-47928	CAGE,DISCHARGE,LP,M-R-U-PUMP	2
92	631-47933	RING,O,LP,M-R-U-PUMP	4
93	631-48081	HOLD DWN CVR LP DIS REF: U, 48081	2
94	631-8603	INTERCOOLER SAFETY VALVE R:UT	2
95	631-47935	ASSY,VALVE,L P,INLET,M-R-U-PUMP	2
96	631-47922	CAGE,INLET,LP,M-R-U-PUMP	2
97	631-47963	FINGERS,LP,INLET,UNLOADER,M-R-W-PUMP	2
98	631-47960	HOLD DOWN COVER LIP, INLET	2
99	631-47993	VLV SPRING HP REF: MRU, 47993	4
100	361-48307	INTAKE GASKET OLD STYLE NOT SHOWN	2
101	160-1062	ELEMENT,FILTER,INTAKE,AIR,U18,FE15 NOT SHOWN	1
102	160-1058	FILTER,INTAKE,AIR,1-1/2"NPTM,FA15 NOT SHOWN	1
103	631-79565	LWR END OVERHAUL KIT MODEL U, 79565	1
104	631-79452	SET GSKT REF: U, 79452	1
105	631-79566	VALVE OVERHAUL KIT MODEL U	1
106	631-48177	SET PISTON,RINGS REF: M U, 48177	2