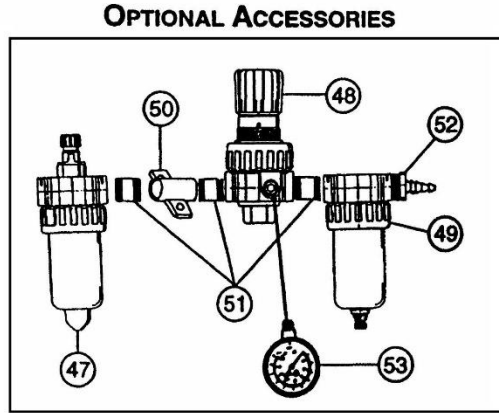
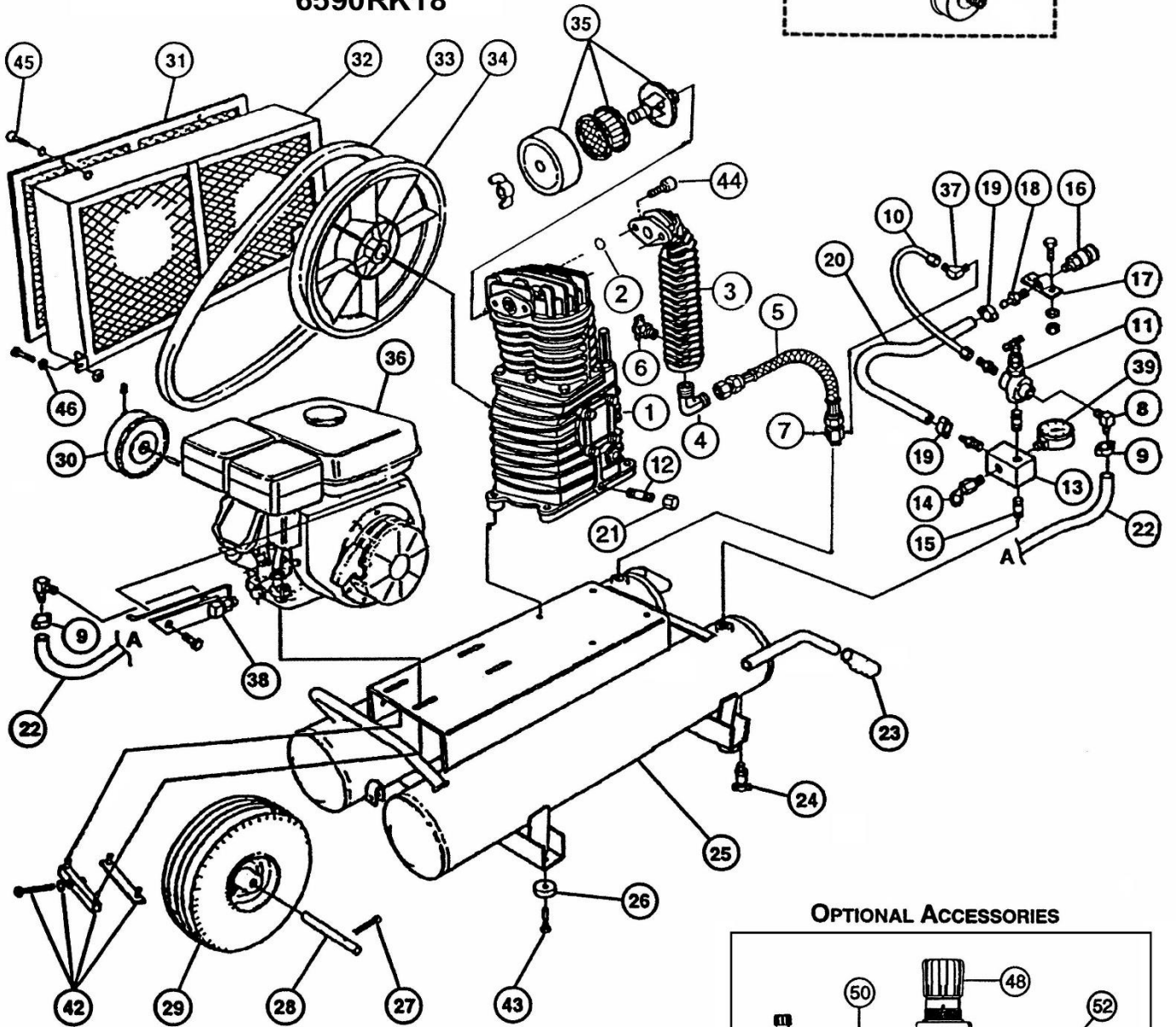
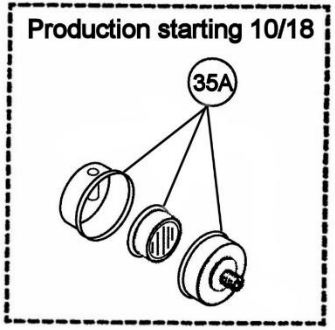
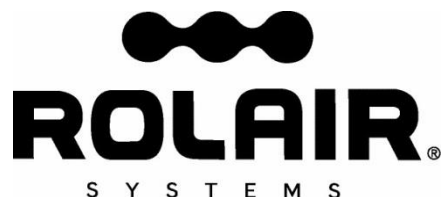


ROLAIR®
 SCHEMATIC FOR MODELS
 6590HK18
 6590RK18





**PARTS LIST FOR MODELS
6590HK18 6590RK18**

Schem #	Description	Part #	Qty.	Schem #	Description	Part #	Qty.
1	Twin Cylinder Pump with Flywheel	PMP12K18CH	1	28	Axle	181	1
	Twin Cylinder Pump, less Flywheel	PMP12K18CHLF	1	29	Foam-Filled Flat-Free Tire	WLS50	1
2	O-Ring	30502510CH*	1	30	Pulley (Before S/N 12010001)	PUAK44X0750	1
					(After S/N 12010001)	PUAK49X0750	1
3	Aftercooler	3290146ACH	1	31	Belt Guard Cover	NLA	1
4	Brass Elbow	145D	1	32	Belt Guard (Base & Cover)	BG9140ASY	1
5	Braided Discharge Tube	FDT9.5	1	33	Belt	BT4L510/A49	1
6	Drain Valve	132	1	34	Flywheel	31007280CH	1
7	Check Valve	CV4X4TA-A175	1	35	Intake Filter Assembly (before 10/18)	FS14050	1
	Safety Valve (1/8"***)	SRV0125A175	1		Filter Element for FS14050	431	1
8	Brass Elbow	BREL0250X0125H16	1	35A	Intake Filter Assembly (after 10/18)	FS10052	1
9	Hose Clamp	177	2		Filter Element for FS10052	433	1
10	1/4" Nylon Tube – 14.4"	178D	1.2'	36	Honda Engine	ENG06H01	1
	Brass Nut	BRNT0250	2		Optional Engine Drain Extension for Above	HDE5	1
	Brass Sleeve	BRSLO250	2		Robin Engine	ENG06R01	1
	Brass Ring	BRRG0250	2				
11	Pilot Unloader Valve	131B	1	37	Brass Elbow	BREL0250X012539	1
	Felt Muffler	131BM	1	38	Throttle Control Kit	192EGX160K1QX	1
	Retainer Ring	131BR	1	39	Gauge	GA0250200GC	1
12	Nipple	BLNP0250X1500	1	42	Belt Tightener/Mounting Kit	SBT5HP-ANGLE**	1
13	Aluminum Block Manifold	154	1	43	Screw	MIS10008	4
14	Safety Relief Valve	SRV0250A165	1	44	Bolt	37302530CH	2
15	Nipple	BLNP0500X1500	1	45	Spinlock Bolt	MIS10094	5
16	Quick Disconnect	309A	1	46	Bolt	MIS10022	2
17	Accessory Bracket	210	1		Lock Washer	MIS10099	2
18	Brass Coupler	BRCPO375X0375H12	2		Washer	MIS10108	2
19	Hose Clamp	177A	2	(Accessories)			
20	3/8" Rubber Hose - 16"	178A	1.34'	47	Lubricator	LUB0375	1
21	Cap	BLCA0250	1	48	Regulator	REG0375	1
22	1/4" Rubber Hose – 36"	178	3.0'	49	Filter	FIL0375	1
23	Handle Grip	328	2	50	Accessory Bracket	210	1
24	Drain Valve	132BV	2	51	Nipple	BLNP0375X1500	3
25	Twin Tank Assy – Honda	TNKASY4090K17	1	52	Brass Coupler	BRCPO375X0375H12	1
26	Rubber Foot	219	4	53	Gauge	GA0250200GC	1
27	Cotter Pin	181A	2				

As an added safety measure, belt driven models built after July 1, 2015 include additional safety valve on check valve.

*For units built prior to February 2000, order gasket 30501490CH

**For units built prior to February 2005, order SBT5HP-SQUARE

***Safety valve not shown but may be ordered separately.

