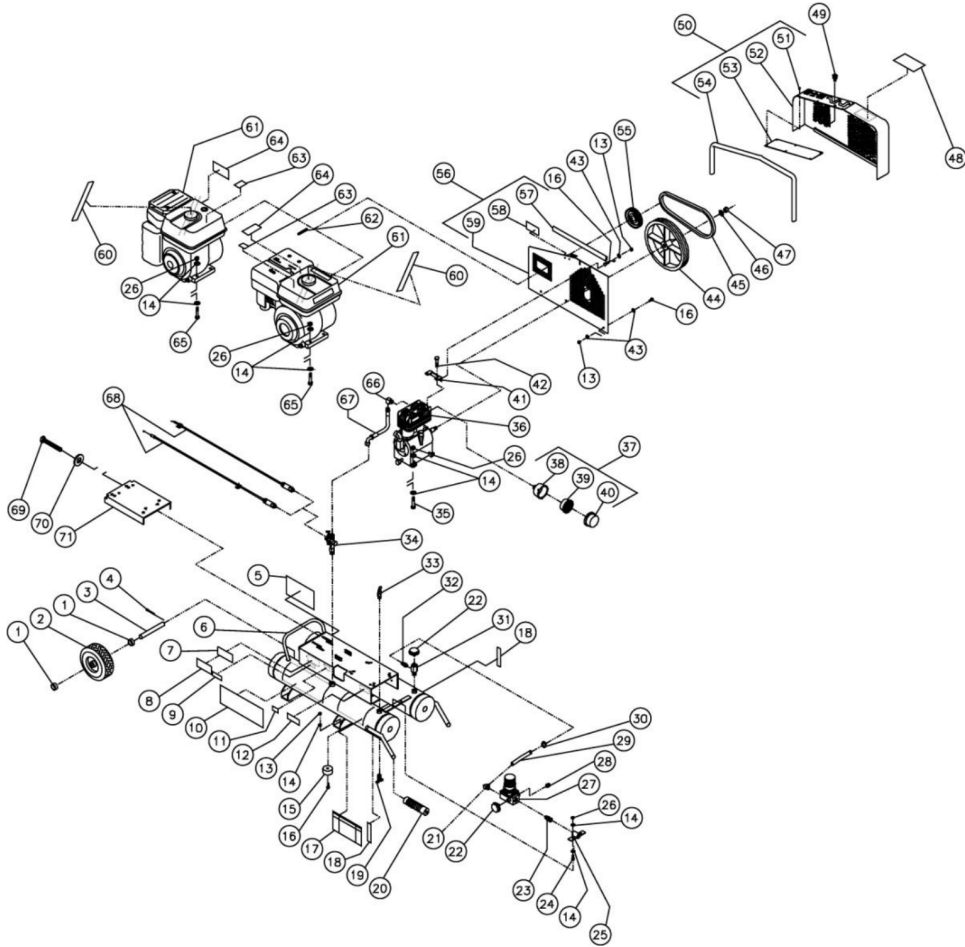




AC1-PV06-08M / AC1-PV06-08M (sn:0-346514)

TANK ASSEMBLY



Id	Item #	Description	Quantity	Rev	Comments
1	20-0314	AXLE SPACER	2		
2	14-0068	WHEEL	1		
3	20-0420	AXLE	1		
4	43-0092	COTTER PIN	2		
5	34-0817	DECAL-MAINTENANCE INSTRUCTIONS	1		
6	854-0027	AIR TANK ASSEMBLY	1		
7	34-0818	DECAL DATA PLATE	1		
8	34-0210	DECAL CLEAR LAMINATE	1		
9	N/A	DECAL SERIAL NUMBER	1		
10	34-0814	DECAL MI-T-M	1		

Id	Item #	Description	Quantity	Rev	Comments
11	34-0521	DECAL AMERICAN FLAG	1		
12	34-0823	DECAL WARNING HOT SURFACE	1		
13	30-0155	LOCKNUT	9		
14	28-0003	WASHER	24		
15	14-0069	ISOLATOR	4		
16	27-0015	BOLT	9		
17	34-0819	DECAL DANGER WARNING CAUTION	1		
18	34-0815	DECAL DRAIN TANK	2		
19	23-0312	DRAIN VALVE	2		
20	7-0143	HANDLE GRIPS\	2		
21	23-0074	ELBOW	1		
22	22-0257	PRESSURE GAUGE	2		
23	24-0010	NIPPLE	1		
24	27-0067	BOLT	2		
25	20-0421A01	REGULATOR MAOUNTING BRACKET	1		
26	30-0157	LOCKNUT	10		
27	22-0231	REGULATOR ADJUSTABLE	1		
28	N/A	REGULATOR PLUG	1		
29	15-0175	HOSE *(ONE FOOT REQUIRED)	1		
30	42-0004	HOSE CLAMP	2		
31	23-0341	ADAPTER	1		
32	23-0069	HOSE BARB	1		
33	22-0228	SAFETY RELIEF VALVE	1		
34	22-0260	PILOT VAVLE	1		
35	27-0068	BOLT	4		
36	3-0166	COMPRESSOR	1		
37	19-0083	AIR FILTER ASSEMBLY (W/COMPRESSOR (38-40)	1		
38	N/A	FILTER HOUSING (W/COMPRESSOR)	1		
39	19-0082	FILTER ELEMENT	1		
40	19-0084	FILTER HOUSING (W/COMPRESSOR)	1		
41	20-0429A01	BELTGUARD BRACKET	1		
42	27-0072	HEAD BOLT (W/COMPRESSOR)	2		
43	28-0002	WASHER	8		
44	10-0083	FLYWHEEL (W/COMPRESSOR)	1		
45	11-0040	DRIVE BLET	1		
46	28-0008	FLYWHEEL FLATWASHER (W/COMPRESSOR)	1		
47	30-0122	FLYWHEEL NUT (W/COMPRESSOR)	1		
48	34-0821	DECAL OPERATING INSTRUCTIONS GAS	1		
49	33-0197	FASTENER	1		

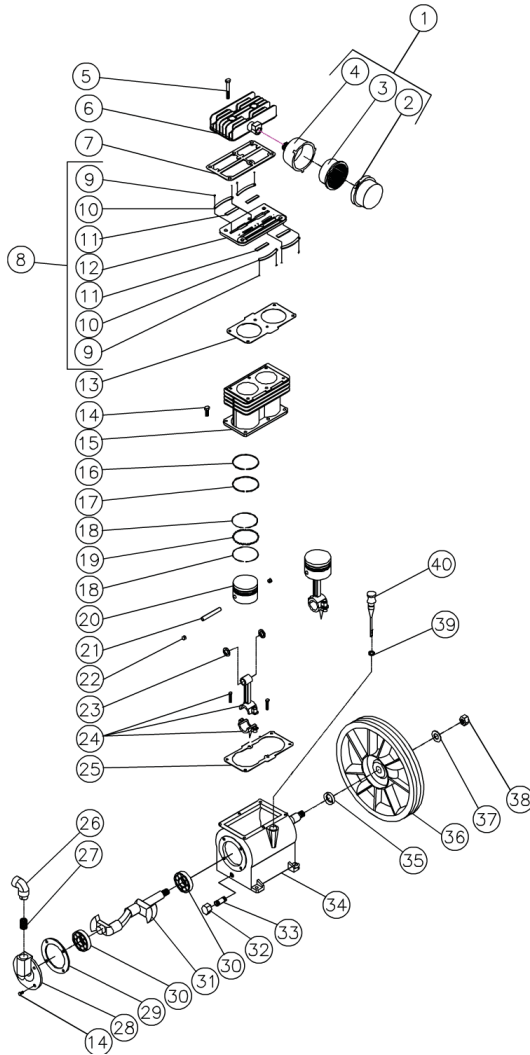
Id	Item #	Description	Quantity	Rev	Comments
50	854-0008	BELTGUARE ASSEMBLY (51-54)	1		
51	53-0003	POP RIVET	6		
52	854-0008	BELTGUARD COVER	1		
53	24-0430A09	LOGO BACKING PLATE	1		
54	33-0020	EDGING *(FOUR FEET REQUIRED)	1		
55	10-0087	DRIVE PULLEY	1		
56	854-0007	BELTGUARD BACK ASSEMBLY (57-69)	1		
57	33-0020	EDGING *(TWO FEET REQUIRED)	1		
58	34-0575	DECAL WARNING BELTGUARD IN PLACE	1		
59	854-0007	BELTGUARD BACK ASSEMBLY (57-69)	1		
60	34-0816	DECAL CHECK OIL TAPE	1		
61	854-0018	ENGINE HONDA	1		
61	854-0028	ENGINE VANGUARD	-		
62	43-0073	KEY	1		
63	34-0588	DECAL CAUTION ALLOW TO COOL	1		
64	34-0130	DECAL WARNING MUFFLER HOT	1		
65	27-0070	BOLT	4		
66	23-0034	STREET ELBOW	1		
67	15-0183	HOSE	1		
68	33-0262	THROTTLE CONTROL HONDA	1		
68	33-0263	THROTTLE CONTROL VANGUARD	-		
69	27-0576	BOLT	1		
70	28-0023	WASHER	1		
71	20-0425A01	BELT TENSIONER PLATE	1		

*MUST ORDER IN ONE FOOT LENGTHS



AC1-PV06-08M / AC1-PV06-08M (sn:0-346514)

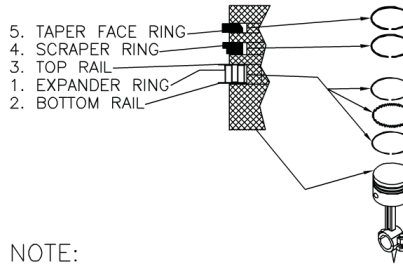
PUMP



POSITION	TORQUE SPECS.		REQUIRED LOCKTITE
	FT-LBS	Nm	
5	17.0	2.4	NO
9	.80	.10	LOCKTITE 620
14	17.0	2.4	NO
24	7.0	1.0	NO
39	50.0	6.9	NO

PIP MARKS ARE LOCATED ON TOP SURFACE OF THE RINGS

IMPORTANT: RINGS MUST BE ASSEMBLED IN THE POSITION SHOWN AND IN THE FOLLOWING NUMERICAL SEQUENCE:



NOTE:
ONCE THE RINGS ARE IN PLACE ROTATE THEM SO THE GAPS ARE NOT ALIGNED.

Id	Item #	Description	Quantity	Rev	Comments
1	19-0083	AIR FILTER ASSEMBLY (INCLUDES 2-4)	1		
2	19-0084	AIR FILTER COVER	1		
3	19-0082	AIR FILTER ELEMENT	1		
4	N/A Sep.	AIR FILTER BODY (SEE 19-0083)	1		
5	27-0072	BOLT	6		

Id	Item #	Description	Quantity	Rev	Comments
6	46-0801	CYLINDER HEAD	1		
7	N/A Sep.	HEAD GASKET (SEE 70-0201)	1		
8	N/A Sep.	VALVE PLATE ASSEMBLY (INCLUDES 9-12) (SEE 70-0201)	1		
9	N/A Sep.	SCREW (SEE 70-0201)	8		
10	N/A Sep.	RETAINER-REED VALVE (SEE 70-0201)	4		
11	N/A Sep.	REED VALVE (SEE 70-0201)	4		
12	N/A Sep.	VALVE PLATE (SEE 70-0201)	1		
13	N/A Sep.	GASKET (SEE 70-0201)	1		
14	27-0066	BOLT	8		
15	46-0802	CYLINDER	1		
16	N/A Sep.	PISTON RING- TAPER FACE (SEE 70-0200)	2		
17	N/A Sep.	PISTON RING- SCRAPER (SEE 70-0200)	2		
18	N/A Sep.	OIL RING-RAIL (SEE 70-0200)	4		
19	N/A Sep.	OIL RING-EXPANDER (SEE 70-0200)	2		
20	N/A Sep.	PISTON (SEE 70-0200)	2		
21	N/A Sep.	WRIST PIN (SEE 70-0200)	2		
22	N/A Sep.	WRIST PIN END CAP (SEE 70-0200)	4		
23	N/A Sep.	THRUSTWASHER (SEE 70-0200)	4		
24	N/A Sep.	CONNECTING ROD ASSEMBLY (INCLUDES 2 TAPTITE SCREWS) (SEE 70-0200)	2		
25	N/A Sep.	GASKET (SEE 70-0201)	1		
26	33-0266	BREATHER ELBOW	1		
27	46-0751	CRANKCASE BREATHER ELEMENT	1		
28	48-0065	BEARING CARRIER	1		
29	N/A Sep.	GASKET (SEE 70-0202)	1		

Id	Item #	Description	Quantity	Rev	Comments
30	48-0060	BEARING	2		
31	46-0749	CRANKSHAFT (INCLUDES 2 MOUNTED BALL BEARINGS)	1		
32	N/A	PIPE CAP	1		
33	23-0317	PIPE NIPPLE	1		
34	46-0750	CRANKCASE	1		
35	N/A Sep.	SEAL (SEE 70-0202)	1		
36	10-0083	FLYWHEEL	1		
37	28-0008	FLATWASHER	1		
38	30-0122	HEXNUT	1		
39	25-0425	O-RING	1		
40	22-0234	OIL DIP STICK	1		
KIT	70-0198	AIR FILTER KIT (INC. 1-4)			
KIT	70-0199	PISTON RING KIT (INC. 16-19)			
KIT	70-0200	PISTON & CONNECTING ROD ASSEMBLY KIT (INC. 16-24)			
KIT	70-0201	CYLINDER & HEAD ASSEMBLY KIT (INC. 5-8, 13-15, 25)			
KIT	70-0202	GASKET KIT (INC. 7, 13, 25, 29, 35, 39)			
KIT	70-0203	VALVE PLATE ASSEMBLY (INC. 7, 8, 13)			