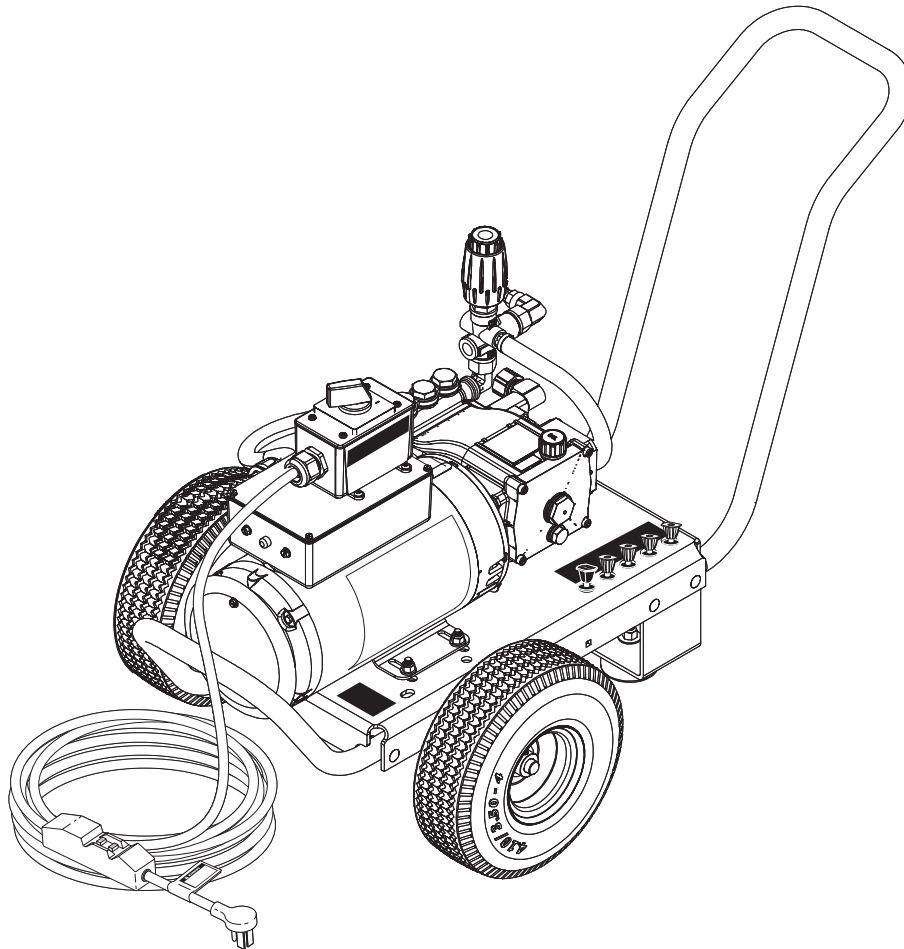


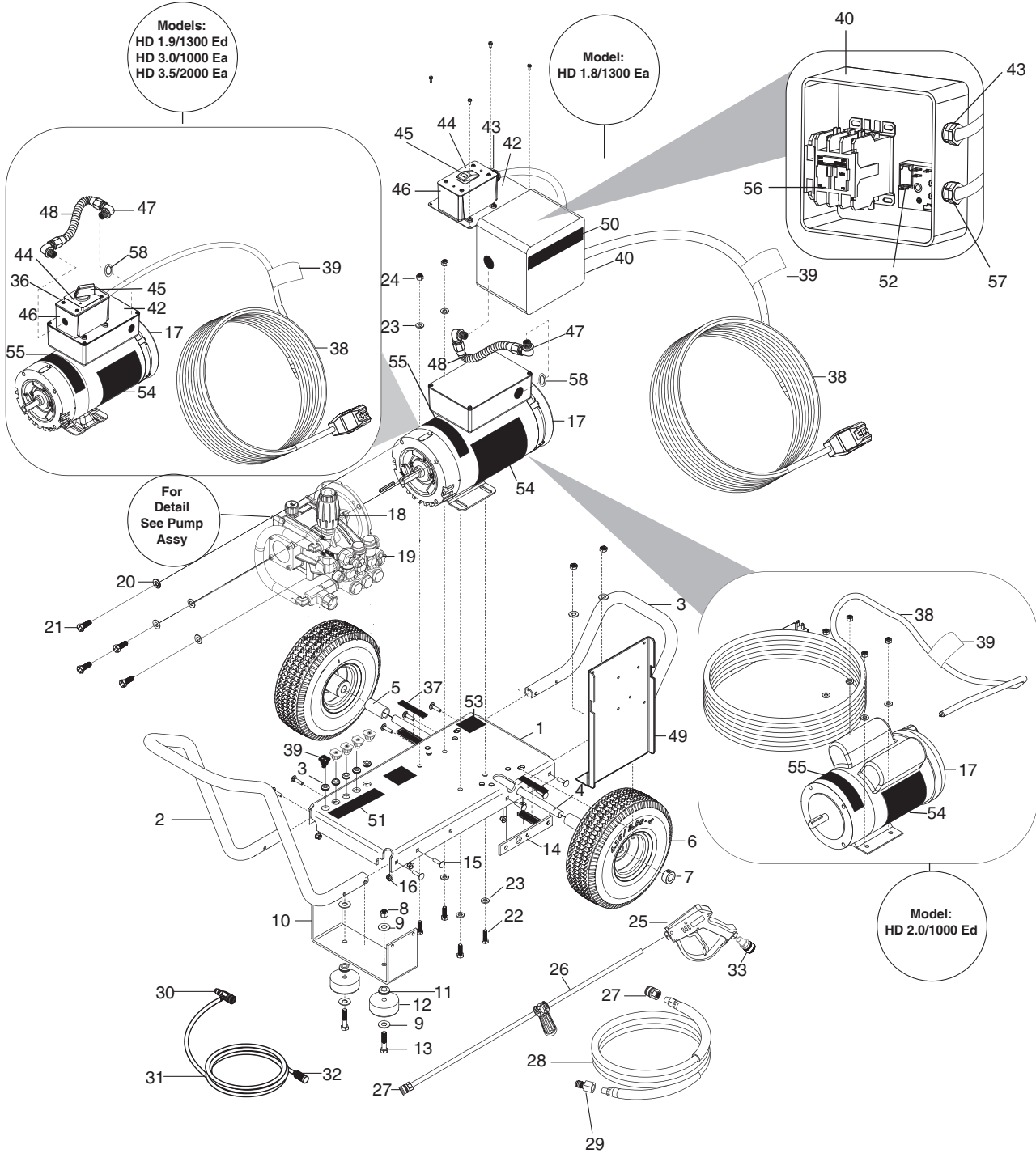
# SERVICE MANUAL



**MODEL #**  
HD 2.0/1000 Ed  
HD 1.9/1300 Ed  
HD 3.0/1000 Ea  
HD 3.5/2000 Ea  
HD 1.8/1300 Ed

**ORDER #**  
1.106-124.0  
1.106-125.0  
1.106-126.0  
1.106-127.0  
1.106-128.0

# EXPLODED VIEW



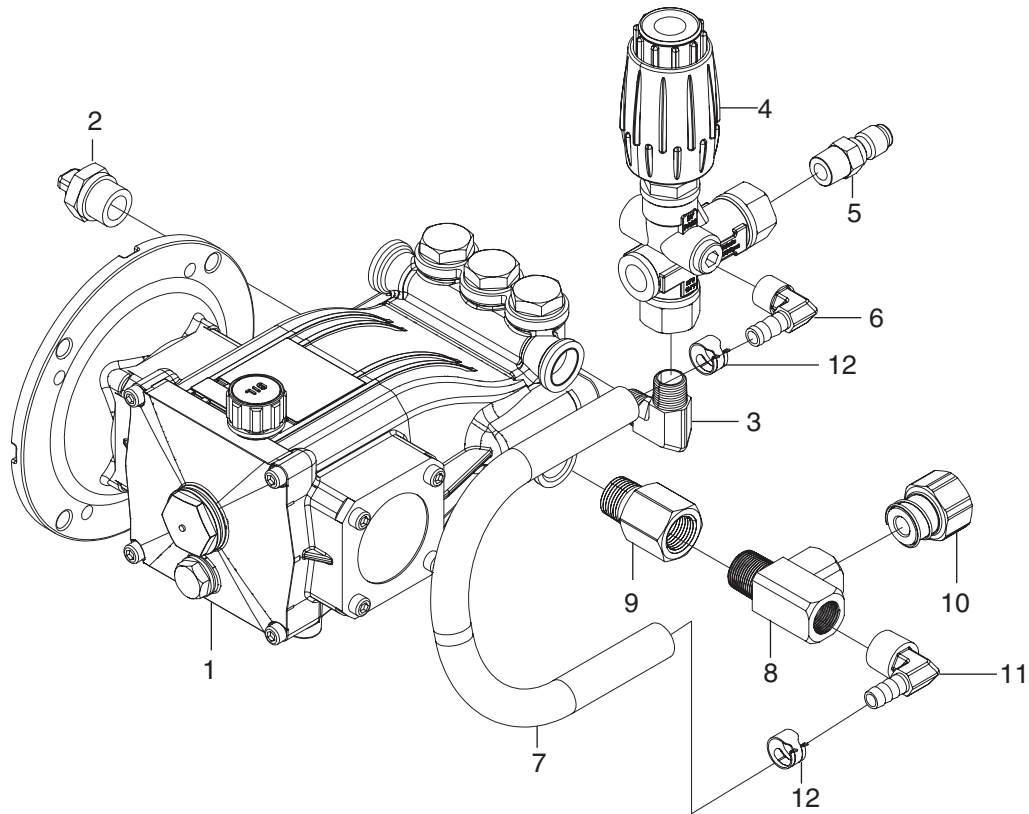
## EXPLODED VIEW PARTS LIST

ITEM	PART NO.	DESCRIPTION	QTY
1	8.924-115.0	Al Base Direct Drive	1
2	8.924-394.0	Al Handle	1
3	8.924-393.	Al Bumper	1
4	9.803-097.0	Axle, 5/8 X 20.125 Long	1
5	8.924-179.0	AL Spacer Tube DD Frame	2
6	8.756-365.0	QH Wheel Assy 10", Gray STL RIM, Flat	1
7	9.802-782.0	Collar, 5/8" Bore Shaft 3010	2
8	9.197-003.0	3/8-16 Nylon Insert l/n zc 5um White	2
9	9.802-817.0	Washer, 3/8" x 1"	4
10	8.924-116.0	Foot AL DD Frame CW	1
11	9.802-064.0	Grommet, Rubber, Nozzle Holder	2
12	9.802-066.0	Pad Soft Rubber	2
13	9.196-041.0	Hex Head Bolt 3/8-16 x 1-3/4"	2
14	8.924-074.0	Camaro Silver Axle Holder DD CW	1
15	9.802-706.0	Bolt, 1/4"-20 x 1-3/4" Carriage Zinc	8
16	9.197-010.0	1/4-20" Nylon Insert Lock Nut With Flange	10
17	9.804-516.0	Motor, 1.5HP 1PH, 115V 1725RPM, TEFC (HD 2.0/1000 Ed)	1
	8.754-710.0	Motor, 2HP 1PH 115/230V 3470 RPM ODP (HD 1.8/1300 Ed)	1
	8.754-709.0	Motor, 2HP, 1PH, 115V, 1750RPM 56C ODP (HD 3.0/1000 Ea, HD 1.9/1300 Ed)	1
	9.802-341.0	Motor, 5HP 1PH 208/230V 3450RPM (HD 3.5/2000 Ea)	1
18	8.750-299.0	Unloader, VRT3, 8 GPM @4500 PSI (HD 2.0/1000 Ed, HD 1.9/1300 Ed, HD 3.0/1000 Ea, HD 3.5/2000 Ea)	1
	9.802-362.0	Unloader, PA 8@3650, VB8 W/SWITCH (HD 1.8/1300 Ed)	1
19	8.754-760.0	Pump, Leuco LF2030F, 2.1 @3000, 3450RPM (HD 1.8/1300 Ed)	1
	8.754-761.0	Pump, Leuco LF2030S, 2.1 @3000, 1725RPM (HD 2.0/1000 Ed, HD 1.9/1300 Ed)	1
	8.754-763.0	Pump, Leuco LF2830S, 2.8 @3000, 1725RPM (HD 3.0/1000 Ea)	1
	8.754-764.0	Pump, Leuco LF3530F, 3.5 @3000, 3450RPM (HD 3.5/2000 Ea)	1
20	9.198-004.0	3/8", USS F/W Zinc	4
21	9.802-720.0	Bolt, 3/8" x 1", NC HH	4
22	9.802-710.0	Screw 5/16" x 1" NC	4
23	8.718-980.0	Washer, 5/16" Flat, SAE	8
24	9.802-776.0	Nut, 5/16-18, ESNA	4
25	8.750-247.0	Trigger Gun Model m407	1
26	8.783-039.0	Wand 30" Zinc Plated, Handle & Coupler	1
27	9.802-166.0	Coupler, 3/8" Socket, Female, Brass	2
28	8.925-129.0	Hose, 3/8" X 50', R1, SO X SW	1
29	9.802-170.0	Coupler, 3/8" Plug, Female, Steel Zinc	1
30	9.802-216.0	Injector, Chem, Non Adj, 0.083	1
31	6.388-216.0	Hose DN 5	3.2 ft.
32	5.731-652.0	Filter with weight	1
33	9.802-169.0	Coupler, 3/8"Socket, Male, Brass	1
34	8.755-187.0	Grommet, Rubber, Nozzle Holder Base 3/16	5
35	8.712-337.0	Nozzle, SAQCMEG, 0003.5, Red (HD 2.0/1000 Ed, HD 1.9/1300 Ed)	1
	8.712-338.0	Nozzle, SAQCMEG 1503.5, Yellow(HD 2.0/1000 Ed, HD 1.9/1300 Ed)	1
	8.712-339.0	Nozzle, SAQCMEG, 2503.5, Green (HD 2.0/1000 Ed, HD 1.9/1300 Ed)	1
	8.712-340.0	Nozzle, SAQCMEG 4003.5, White (HD 2.0/1000 Ed, HD 1.9/1300 Ed)	1
	8.712-357.0	Nozzle, SAQCMEG 0005.5, Red (HD 3.0/1000 Ea)	1
	8.712-358.0	Nozzle, SAQCMEG 1505.5, Yellow (HD 3.0/1000 Ea)	1
	8.712-359.0	Nozzle, SAQCMEG 2505.5, Green (HD 3.0/1000 Ea)	1
	8.712-360.0	Nozzle, SAQCMEG 4005.5, White (HD 3.0/1000 Ea)	1
	8.712-398.0	Nozzle kpl., QCCEM-6540 Mess. (CHEM) (all models)	1

## EXPLODED VIEW PARTS LIST

8.712-353.0	Nozzle, saqcmeg 0005, Red (HD 3.5/2000 ea)	1
8.712-354.0	Nozzle, saqcmeg 1505, Yellow (HD 3.5/2000 ea)	1
8.712-355.0	Nozzle, saqcmeg 2505, Green (HD 3.5/2000 ea)	1
8.712-356.0	Nozzle, saqcmeg 4005, White (HD 3.5/2000 ea)	1
8.712-331.0	Nozzle, saqcmeg 0003, Red (HD 1.8/1300 ed)	1
8.712-333.0	Nozzle, saqcmeg 1503, Yellow (HD 1.8/1300 ed)	1
8.712-334.0	Nozzle, saqcmeg 2503, Green (HD 1.8/1300 ed)	1
8.712-335.0	Nozzle, saqcmeg 4003, White (HD 1.8/1300 ed)	1
8.712-398.0	Nozzle kpl., QCEM-6540 Mess. (CHEM)	1
36	9.802-478.0 LID, Plastic, Carlon E9801 Box (HD 3.5/2000 Ea, HD3.0/1000 Ea, HD1.9/1300 Ed)	1
37	9.802-073.0 Weatherstrip, 1/8" x 1/2"	12"
38	9.802-432.0 GFCI, 120V 15A, W/ 36' 12-3 CORD (HD 2.0/1000 ED)	1
	9.802-431.0 GFCI, 125V 20A, 36' 12-3 CORD (HD 1.9/1300 ED, HD 3.0/1000 Ea AND HD 1.8/1300 Ea)	1
	9.802-430.0 GFCI, 240V 1PH 30A, 36' 10-3 CORD (HD 3.5/2000 Ea, )	1
39	8.932-969.0 Label, Warning, Service Cord	1
40	8.716-271.0 Enclosure, Fiberglass, nema4x 14324.500 (HD 1.8/1300 Ea)	1
41	9.802-423.0 Cord, Serv, 16/3, SEOOW, /FT (HD 1.8/1300 Ea)	2 FT
42	9.803-833.0 Cover, Motor (HD 1.8/1300 EA, HD3.5/2000 Ea, HD3.0/1000 Ea, HD1.9/1300 Ed)	1
43	9.802-514.0 Strain Relief, LT, Str, 1/2 NPT,.23-.45D (HD 1.8/1300 Ea)	2
	9.802-518.0 Strain Relief, LT, STR, 3/4 NPT .49-.71D (HD 3.5/2000 Ea, HD3.0/1000 Ea, HD1.9/1300 Ed)	1
44	8.900-840.0 Label, Remote Switch, Home Depot (HD 1.8/1300 Ea)	1
45	9.802-451.0 Switch, Rocker, Carling Green LENS875858 (HD 1.8/1300 Ea)	1
	9.802-450.0 Switch, 2POS. 120V-600V, 1-3PH (HD 3.5/2000 Ea, HD3.0/1000 Ea, HD1.9/1300 Ed)	1
46	9.802-477.0 Box, Plastic,Carlon E9801, W/O LID (HD 1.8/1300 Ea, HD 3.5/2000 Ea, HD3.0/1000 Ea, HD1.9/1300 Ed)	1
47	9.802-517.0 Connector, 1/2" L/T, 90 DGR, Black (HD 1.8/1300 Ea)	2
	9.803-831.0 Connector, 3/4" L/T, 90 DGR, Black (HD 3.5/2000 Ea)	2
48	9.802-448.0 Conduit,WTR. TIGHT,FLEX,1/2 100'/BOX (HD 1.8/1300 Ea, HD3.0/1000 Ea, HD1.9/1300 Ed)	2.16 FT
	9.802-436.0 Cord, Serv, 10/3, SEOOW, /FT (HD 3.5/2000 Ea)	2.16 FT
49	8.924-750.0 Bracket, Elec Box, HD 1.8/1300Ed (HD 1.8/1300 Ea)	1
50	9.800-016.0 Label, Disconnect Power Supply (HD 1.8/1300 Ea)	1
51	8.755-210.0 Four Nozzle Label, Black (HD 1.8/1300 Ea)	1
52	9.802-472.0 Timer, 24-240v 5-60min w/Lock Out (HD 1.8/1300 Ea)	1
53	9.800-049.0 Label, Manufacturer's cleaning solution (HD 1.8/1300 Ea)	1
54	8.900-305.0 Label, Landa, Home Depot, ZE Warning (HD 1.8/1300 Ea)	1
55	9.800-037.0 Label, French Inst./Warn (HD 1.8/1300 Ea)	1
56	9.802-543.0 Contactor, DP,c25dnd225aa, w/aux block (HD 1.8/1300 Ea)	1
57	8.752-969.0 Strain Relief,LT,STR,1/2 NPT 0.39-0.75ID (HD 1.8/1300 Ea)	1
58	9.803-834.0 Washer, Reducing 3/4" x 1/2"	1

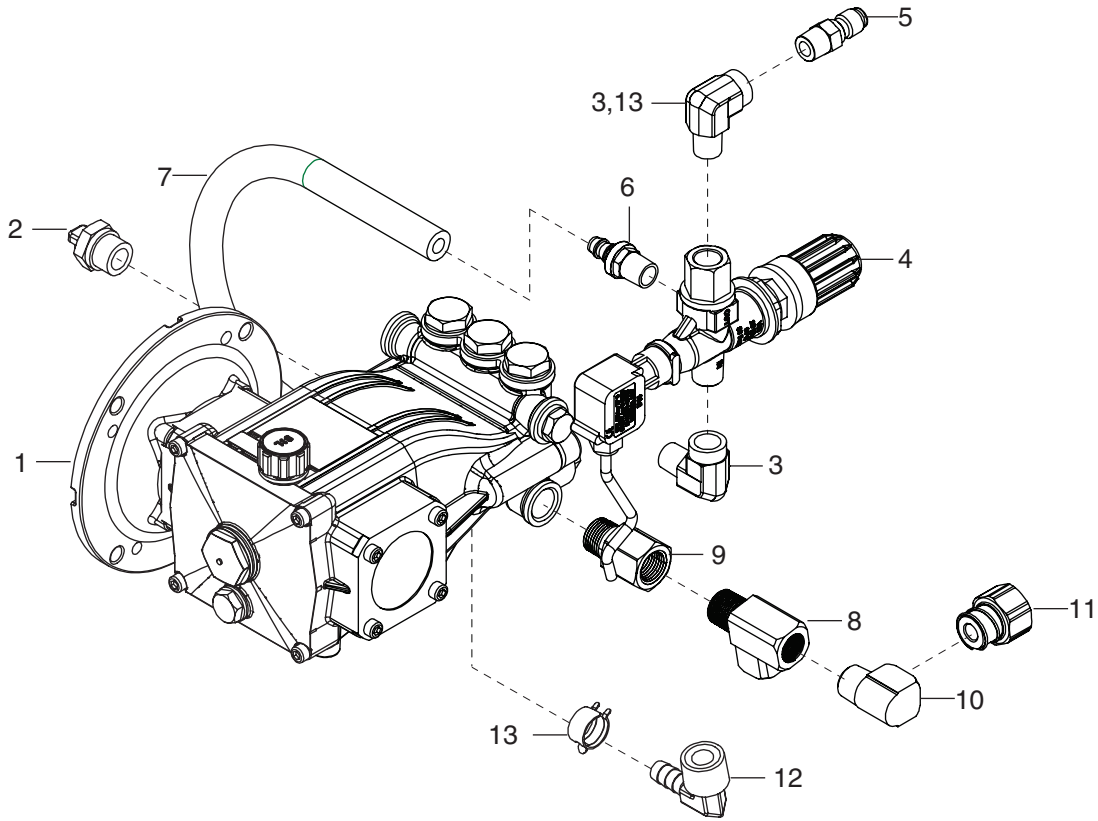
# PUMP ASSEMBLY EXPLODED VIEW



## PUMP ASSY EXPLODED VIEW PARTS LIST

ITEM	PART NO.	DESCRIPTION	QTY	ITEM	PART NO.	DESCRIPTION	QTY
1	8.754-761.0	PUMP, LEUCO LF2030S,2.1 @3000, 1725RPM (HD 2.0/1000 Ed, HD 1.9/1300 Ed)	1	11	8.705-120.0	Hosebarb, Elbow, 3/8" Barbx1/2" MPT/ 90Deg	1
	8.754-763.0	PUMP, LEUCO LF2830S, 2.8@3000, 1725RPM (HD 3.0/1000 Ea)	1	12	8.709-117.0	Clamp, Hose, UNI .62-.75 ST	2
	8.754-764.0	PUMP, LEUCO LF3530F, 3.5@3000, 3450RPM (HD 3.5/2000 Ea)	1				
2	8.707-256.0	Pump protector, 1/2"	1				
3	8.706-168.0	Elbow, 3/8" NPT-p/n-tf3529x6 Steel	1				
4	8.750-299.0	Unloader, Vrt3, 8 GPM @4500 psi	1				
5	9.802-171.0	Coupler, 3/8" Clug, Male, Steel/zinc	1				
6	8.705-119.0	Hose Barb, Elbow, 3/8" Barbx3/8" MPT/90Deg	1				
7	8.711-785.0	Hose, 3/8" Push on, per ft	18"				
8	8.706-860.0	Tee, 1/2" Street Brass	1				
9	8.706-984.0	Adapter, 1/2" FTP x 1/2" MPT, brass	1				
10	9.802-146.0	Swivel, 1/2" MP x 3/4" GHF W/Strainer	1				

## PUMP ASSEMBLY EXPLODED VIEW

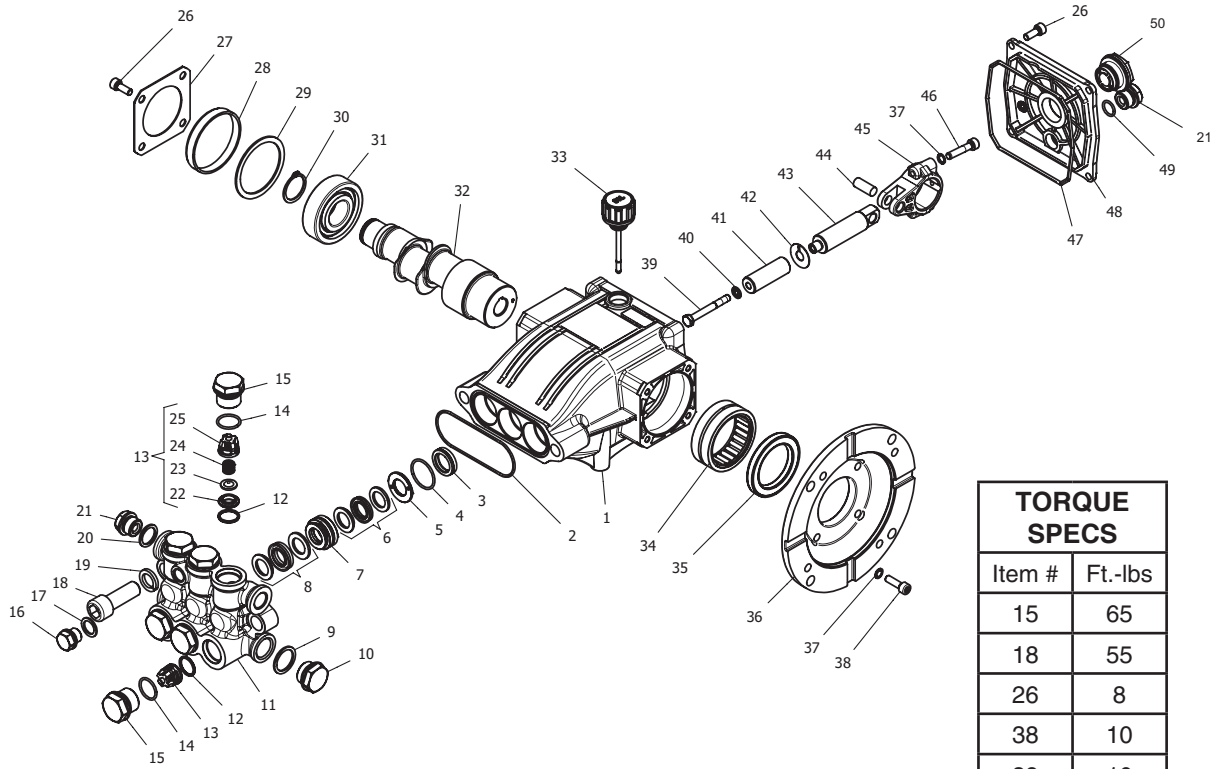


### PUMP ASSY EXPLODED VIEW PARTS LIST

ITEM	PART NO.	DESCRIPTION	QTY
1	8.754-760.0	PUMP, LEUCO LF2030F,2.1 @3000, 3450RPM (HD 1.8/1300 Ed)	1
2	8.707-256.0	Pump protector, 1/2"	1
3	8.706-207.0	ELBOW, 3/8", STREET 90 DEG, STEEL	2
4	8.712-720.0	UNLOADER MG4000 3000PSI W/MICR	1
5	9.802-171.0	Coupler, 3/8" Plug, Male, Steel/zinc	1
6	8.706-944.0	Hose Barb, 3/8" barb x 3/8" ML	1
7	8.711-785.0	Hose, 3/8" Push on, per ft	18"
8	8.706-860.0	Tee, 1/2" Street Brass	1
9	8.706-984.0	Adapter, 1/2" FTP x 1/2" MPT, brass	1
10	8.706-829.0	Elbow, 1/2" Street, Brass	1
11	9.802-146.0	Swivel, 1/2" MP x 3/4" GHF W/Strainer	3
12	8.705-120.0	Hosebarb, ELBOW, 3/8" Barbx1/2" MPT/90Deg	1
13	8.706-168.0	Elbow, 3/8" 3/8" MPT-P/N- TF3529X6 Steel	1

# LF 2030S SERIES PUMP EXPLODED VIEW

8.924-736.0 LF 2030S



TORQUE SPECS	
Item #	Ft.-lbs
15	65
18	55
26	8
38	10
39	10
46	10

## HF 2030S SERIES PUMP PARTS LIST

ITEM	PART NO.	DESCRIPTION	QTY	ITEM	PART NO.	DESCRIPTION	QTY
1	8.754-841.0	Crankcase	1	19	8.754-850.0	Washer, Lock	2
2	8.754-846.0	O-ring Ø1.78 X 72.75	1	20	9.803-198.0	Washer, Copper G3/8	1
3*	See Kits Below Plunger Oil Seal		3	21	8.707-262.0	Plug, Brass G3/8	2
4*	See Kits Below O-ring Ø1.78 X 26.7		3	22*	See Kits Below Valve Seat		6
5*	See Kits Below Washer, Pressure Ring		3	23*	See Kits Below Valve Plate		6
6*	See Kits Below U-Seal		3	24*	See Kits Below Valve Spring		6
7*	See Kits Below Pressure Ring		3	25*	See Kits Below Valve Cage		6
8*	See Kits Below U-Seal		3	26	9.802-939.0	Screw, M6 X 16	8
9	9.803-199.0	Washer, Copper G1/2	1	27	8.717-137.0	Bearing Cover	1
10	9.802-926.0	Plug, Brass G1/2	1	28	9.803-954.0	Bearing Seal	1
11	8.754-852.0	Manifold (16mm Models)	1	29	8.754-843.0	Seal Spacer, Crankshaft	1
	8.754-853.0	Manifold (14mm Models)	1	30	9.802-914.0	Snap Ring, 25 mm	1
12*	8.717-233.0	O-ring Ø1.78 X 15.6	6	31	9.803-955.0	Bearing, Ball	1
13*	See Kits Below Valve Assembly		6	32	8.754-836.0	Shaft, 5/8" Hollow	1
14*	9.803-948.0	O-ring Ø1.78 X 18.77	6	33	8.754-219.0	Oil Dipstick	1
15	9.803-949.0	Valve Plug	6	34	8.754-840.0	Bearing Needle	1
16	8.754-851.0	Plug, Brass G1/4 (16mm)	1	35	8.754-826.0	Seal, Crankshaft	1
17	8.754-845.0	Washer, Copper G1/4 (16mm Models)	1	36	8.754-844.0	Flange, Motor	1
18	8.754-854.0	Bolt, Manifold M14 X 40	2	37	9.803-210.0	Washer	10
				38	8.752-824.0	Screw, 6 mm	4

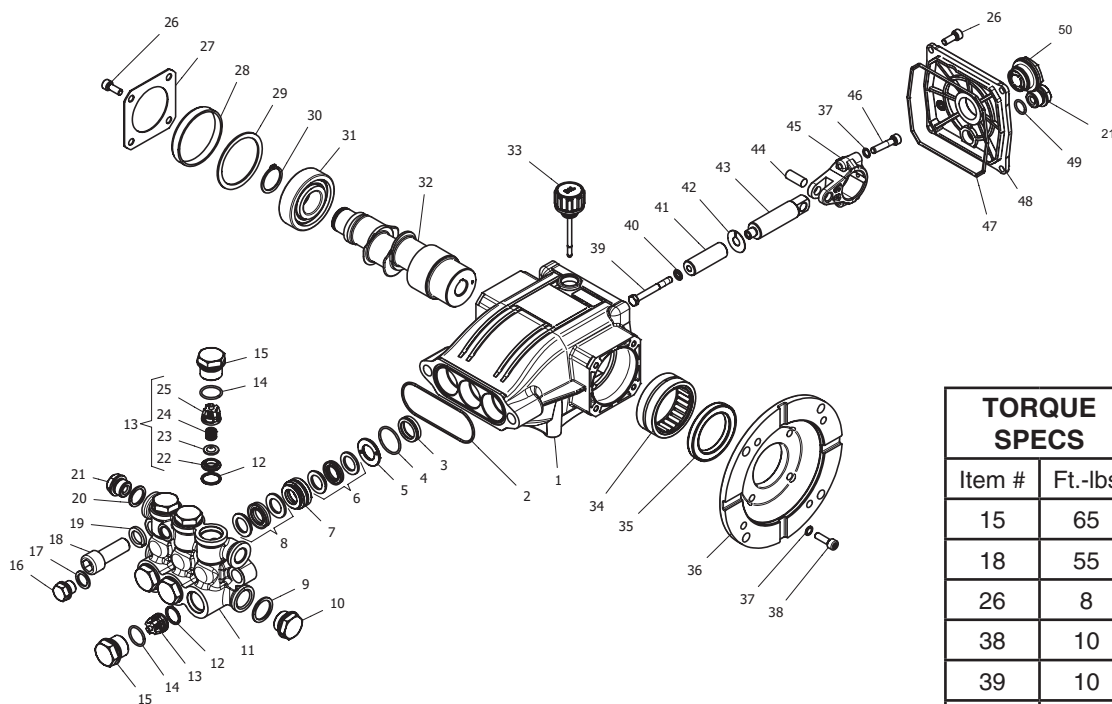
## LF 2030S SERIES PUMP PARTS LIST

ITEM	PART NO.	DESCRIPTION	QTY
39*	8.754-855.0	Bolt, Plunger	3
40*	8.754-092.0	Spacer, Copper	3
41	8.754-848.0	Plunger, 16mm	3
42	9.803-962.0	Spacer, Copper	3
43	8.754-827.0	Plunger Rod	3
44	9.803-965.0	Connecting Rod Pin	3
45	9.803-966.0	Connecting Rod	3
46	8.933-020.0	Screw, Connecting Rod	6
47	8.754-847.0	O-ring Ø2.62 X 111.62	1
48	8.754-842.0	Cover, Crankcase	1
49	9.803-906.0	O-ring Ø1.78 X 14	1
50	9.803-202.0	Sight Glass, G3/4	1

REPAIR KIT NUMBER	8.754-860.0	8.754-856.0	8.754-861.0	8.754-857.0	8.754-862.0	8.754-858.0	8.754-859.0	9.803-937.0
KIT DESCRIPTION	Plunger Seals 14 mm**	Plunger Seals 16 mm**	Seal Packing 14 mm**	Seal Packing 16 mm**	Plunger 14 mm**	Plunger 16 mm**	Complete Valve	Plunger Oil Seals
ITEM NUMBERS INCLUDED	4, 6, 8	4, 6, 8	4, 5, 6, 7, 8	4, 5, 6, 7, 8	39, 40, 41, 42	39, 40, 41, 42	12, 13, 14	3

# LF3530F SERIES PUMP EXPLODED VIEW

8.924-746.0 LF3530F



TORQUE SPECS	
Item #	Ft.-lbs
15	65
18	55
26	8
38	10
39	10
46	10

## LF3530F SERIES PUMP EXPLODED VIEW PARTS LIST

ITEM	PART NO.	DESCRIPTION	QTY	ITEM	PART NO.	DESCRIPTION	QTY
1	8.754-841.0	Crankcase	1	19	8.754-850.0	Washer, Lock	2
2	8.754-846.0	O-ring Ø1.78 X 72.75	1	20	9.803-198.0	Washer, Copper G3/8	1
3*	See Kits Below	Plunger Oil Seal	3	21	8.707-262.0	Plug, Brass G3/8	2
4*	See Kits Below	O-ring Ø1.78 X 26.7	3	22*	See Kits Below	Valve Seat	6
5*	See Kits Below	Washer, Pressure Ring	3	23*	See Kits Below	Valve Plate	6
6*	See Kits Below	U-Seal	3	24*	See Kits Below	Valve Spring	6
7*	See Kits Below	Pressure Ring	3	25*	See Kits Below	Valve Cage	6
8*	See Kits Below	U-Seal	3	26	9.802-939.0	Screw, M6 X 16	8
9	9.803-199.0	Washer, Copper G1/2	1	27	8.717-137.0	Bearing Cover	1
10	9.802-926.0	Plug, Brass G1/2	1	28	9.803-954.0	Bearing Seal	1
11	8.754-852.0	Manifold (16mm Models)	1	29	8.754-843.0	Seal Spacer, Crankshaft	1
	8.754-853.0	Manifold (14mm Models)	1	30	9.802-914.0	Snap Ring, 25 mm	1
12*	8.717-233.0	O-ring Ø1.78 X 15.6	6	31	9.803-955.0	Bearing, Ball	1
13*	See Kits Below	Valve Assembly	6	32	8.754-839.0	Shaft, 5/8" Hollow	1
14*	9.803-948.0	O-ring Ø1.78 X 18.77	6	33	8.754-219.0	Oil Dipstick	1
15	9.803-949.0	Valve Plug	6	34	8.754-840.0	Bearing Needle	1
16	8.754-851.0	Plug, Brass G1/4 (16mm)	1	35	8.754-826.0	Seal, Crankshaft	1
17	8.754-845.0	Washer, Copper G1/4 (16mm Models)	1	36	8.754-844.0	Flange, Motor	1
18	8.754-854.0	Bolt, Manifold M14 X 40	2	37	9.803-210.0	Washer	10
				38	8.752-824.0	Screw, 6 mm	4

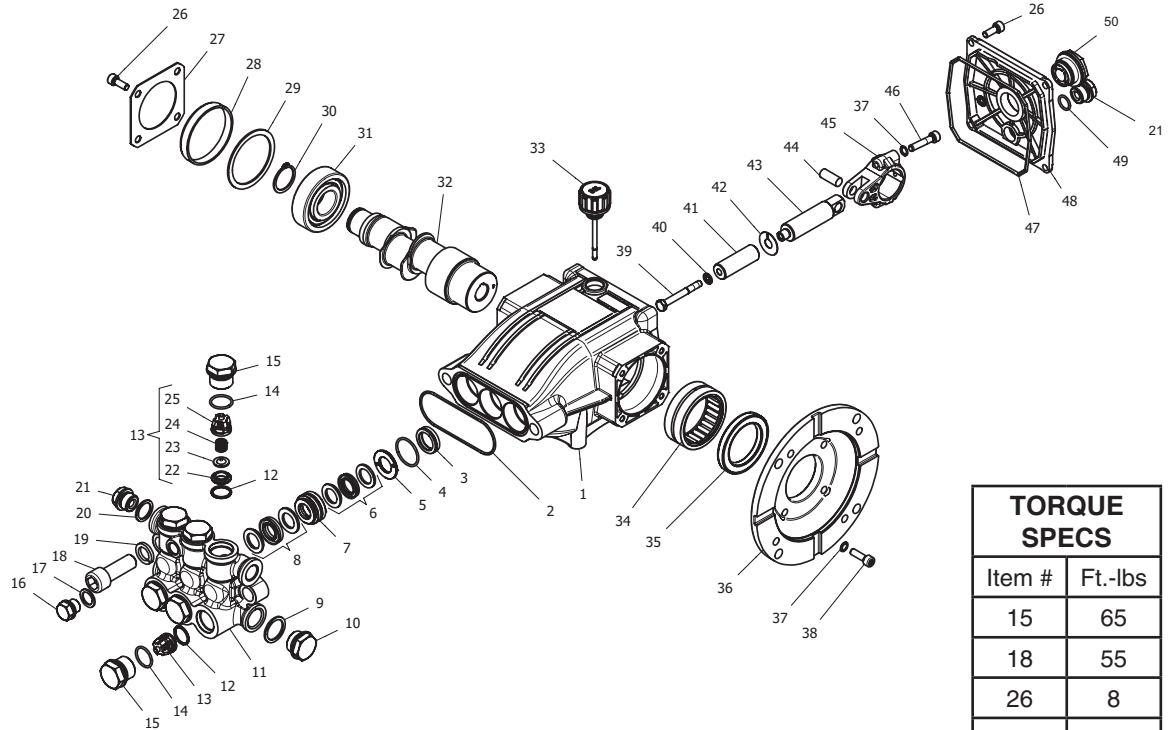
## LF3530F SERIES PUMP EXPLODED VIEW PARTS LIST

ITEM	PART NO.	DESCRIPTION	QTY
39*	8.754-855.0	Bolt, Plunger	3
40*	8.754-092.0	Spacer, Copper	3
41	8.754-849.0	Plunger, 14mm	3
42	9.803-962.0	Spacer, Copper	3
43	8.754-827.0	Plunger Rod	3
44	9.803-965.0	Connecting Rod Pin	3
45	9.803-966.0	Connecting Rod	3
46	8.933-020.0	Screw, Connecting Rod	6
47	8.754-847.0	O-ring Ø2.62 X 111.62	1
48	8.754-842.0	Cover, Crankcase	1
49	9.803-906.0	O-ring Ø1.78 X 14	1
50	9.803-202.0	Sight Glass, G3/4	1

REPAIR KIT NUMBER	8.754-860.0	8.754-861.0	8.754-862.0	8.754-859.0	9.803-937.0
KIT DESCRIPTION	Plunger Seals 14 mm	Seal Packing 14 mm	Plunger 14 mm	Complete Valve	Plunger Oil Seals
ITEM NUMBERS INCLUDED	4, 6, 8	4, 5, 6, 7, 8	39, 40, 41, 42	12, 13, 14	3
NO. OF CYLINDERS KIT WILL SERVICE	3	1	1	6	3

# LF 2030F SERIES PUMP EXPLODED VIEW

8.953-760.0 LF 2030F



TORQUE SPECS	
Item #	Ft.-lbs
15	65
18	55
26	8
38	10
39	10
46	10

## LF SERIES PUMP EXPLODED VIEW PARTS LIST

ITEM	PART NO.	DESCRIPTION	QTY	ITEM	PART NO.	DESCRIPTION	QTY
1	8.754-841.0	Crankcase	1	20	9.803-198.0	Washer, Copper G3/8	1
2	8.754-846.0	O-ring Ø1.78 X 72.75	1	21	8.707-262.0	Plug, Brass G3/8	2
3*	See Kits Below	Plunger Oil Seal	3	22*	See Kits Below	Valve Seat	6
4*	See Kits Below	O-ring Ø1.78 X 26.7	3	23*	See Kits Below	Valve Plate	6
5*	See Kits Below	Washer, Pressure Ring	3	24*	See Kits Below	Valve Spring	6
6*	See Kits Below	U-Seal	3	25*	See Kits Below	Valve Cage	6
7*	See Kits Below	Pressure Ring	3	26	9.802-939.0	Screw, M6 X 16	8
8*	See Kits Below	U-Seal	3	27	8.717-137.0	Bearing Cover	1
9	9.803-199.0	Washer, Copper G1/2	1	28	9.803-954.0	Bearing Seal	1
10	9.802-926.0	Plug, Brass G1/2	1	29	8.754-843.0	Seal Spacer, Crankshaft	1
11	8.754-853.0	Manifold	1	30	9.802-914.0	Snap Ring, 25 mm	1
12*	8.717-233.0	O-ring Ø1.78 X 15.6	6	31	9.803-955.0	Bearing, Ball	1
13*	See Kits Below	Valve Assembly	6	32	8.754-835.0	Shaft, 5/8" Hollow 2030F	1
14*	9.803-948.0	O-ring Ø1.78 X 18.77	6		8.754-839.0	Shaft, 5/8" Hollow 3530F	1
15	9.803-949.0	Valve Plug	6	33	8.754-219.0	Oil Dipstick	1
16	8.754-851.0	Plug, Brass G1/4 (16mm)	1	34	8.754-840.0	Bearing Needle	1
17	8.754-845.0	Washer, Copper G1/4 (16mm Models)	1	35	8.754-826.0	Seal, Crankshaft	1
18	8.754-854.0	Bolt, Manifold M14 X 40	2	36	8.754-844.0	Flange, Motor	1
19	8.754-850.0	Washer, Lock	2	37	9.803-210.0	Washer	10
				38	8.752-824.0	Screw, 6 mm	4

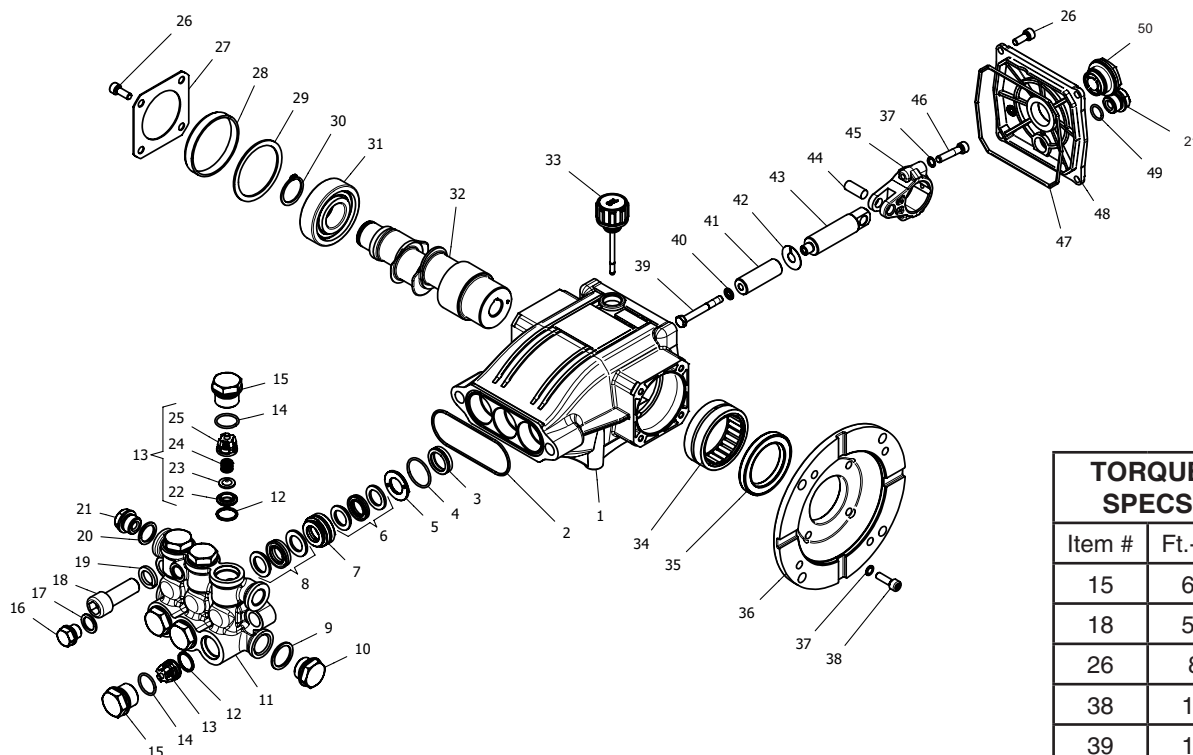
## LF SERIES PUMP EXPLODED VIEW PARTS LIST

ITEM	PART NO.	DESCRIPTION	QTY
39*	8.754-855.0	Bolt, Plunger	3
40*	8.754-092.0	Spacer, Copper	3
41	8.754-849.0	Plunger, 14mm	3
42	9.803-962.0	Spacer, Copper	3
43	8.754-827.0	Plunger Rod	3
44	9.803-965.0	Connecting Rod Pin	3
45	9.803-966.0	Connecting Rod	3
46	8.933-020.0	Screw, Connecting Rod	6
47	8.754-847.0	O-ring Ø2.62 X 111.62	1
48	8.754-842.0	Cover, Crankcase	1
49	9.803-906.0	O-ring Ø1.78 X 14	1
50	9.803-202.0	Sight Glass, G3/4	1

REPAIR KIT NUMBER	8.754-860.0	8.754-861.0	8.754-862.0	8.754-859.0	9.803-937.0
KIT DESCRIPTION	Plunger Seals 14 mm**	Seal Packing 14 mm**	Plunger 14 mm**	Complete Valve	Plunger Oil Seals
ITEM NUMBERS INCLUDED	4, 6, 8	4, 5, 6, 7, 8	39, 40, 41, 42	12, 13, 14	3
NO. OF CYLINDERS KIT WILL SERVICE	3	1	1	6	3

# LF2830S SERIES PUMP EXPLODED VIEW

8.754-763.0 PUMP, LEUCO LF2830S



TORQUE SPECS	
Item #	Ft.-lbs
15	65
18	55
26	8
38	10
39	10
46	10

## LF2830S SERIES PUMP EXPLODED VIEW PARTS LIST

ITEM	PART NO.	DESCRIPTION	QTY	ITEM	PART NO.	DESCRIPTION	QTY
1	8.754-841.0	Crankcase	1	20	9.803-198.0	Washer, Copper G3/8	1
2	8.754-846.0	O-ring Ø1.78 X 72.75	1	21	8.707-262.0	Plug, Brass G3/8	2
3*	See Kit Below	Plunger Oil Seal	3	22*	See Kits Below	Valve Seat	6
4*	See Kit Below	O-ring Ø1.78 X 26.7	3	23*	See Kits	Below Valve Plate	6
5*	See Kit Below	Washer, Pressure Ring	3	24*	See Kits	Below Valve Spring	6
6*	See Kit Below	U-Seal	3	25*	See Kits	Below Valve Cage	6
7*	See Kit Below	Pressure Ring	3	26	9.802-939.0	Screw, M6 X 16	8
8*	See Kit Below	U-Seal	3	27	8.717-137.0	Bearing Cover	1
9	9.803-199.0	Washer, Copper G1/2	1	28	9.803-954.0	Bearing Seal	1
10	9.802-926.0	Plug, Brass G1/2	1	29	8.754-843.0	Seal Spacer, Crankshaft	1
11	8.754-852.0	Manifold	1	30	9.802-914.0	Snap Ring, 25 mm	1
12*	8.717-233.0	O-ring Ø1.78 X 15.6 6	6	31	9.803-955.0	Bearing, Ball	1
13*	See Kit Below	Valve Assembly	6	32	8.754-835.0	Shaft, 5/8" Hollow 2030F	1
14*	9.803-948.0	O-ring Ø1.78 X 18.77	6		8.754-836.0	Shaft, 5/8" Hollow 2030S	1
15	9.803-949.0	Valve Plug	6		8.754-837.0	Shaft, 5/8" Hollow 2830F	1
16	8.754-851.0	Plug, Brass G1/4	1		8.754-838.0	Shaft, 5/8" Hollow 2830S	1
17	8.754-845.0	Washer, Copper G1/4	1		8.754-839.0	Shaft, 5/8" Hollow 3530F	1
18	8.754-854.0	Bolt, Manifold M14 X 40	2	33	8.754-219.0	Oil Dipstick	1
19	8.754-850.0	Washer, Lock	2	34	8.754-840.0	Bearing Needle	1
				35	8.754-826.0	Seal, Crankshaft	1

## LF2830S SERIES PUMP EXPLODED VIEW PARTS LIST

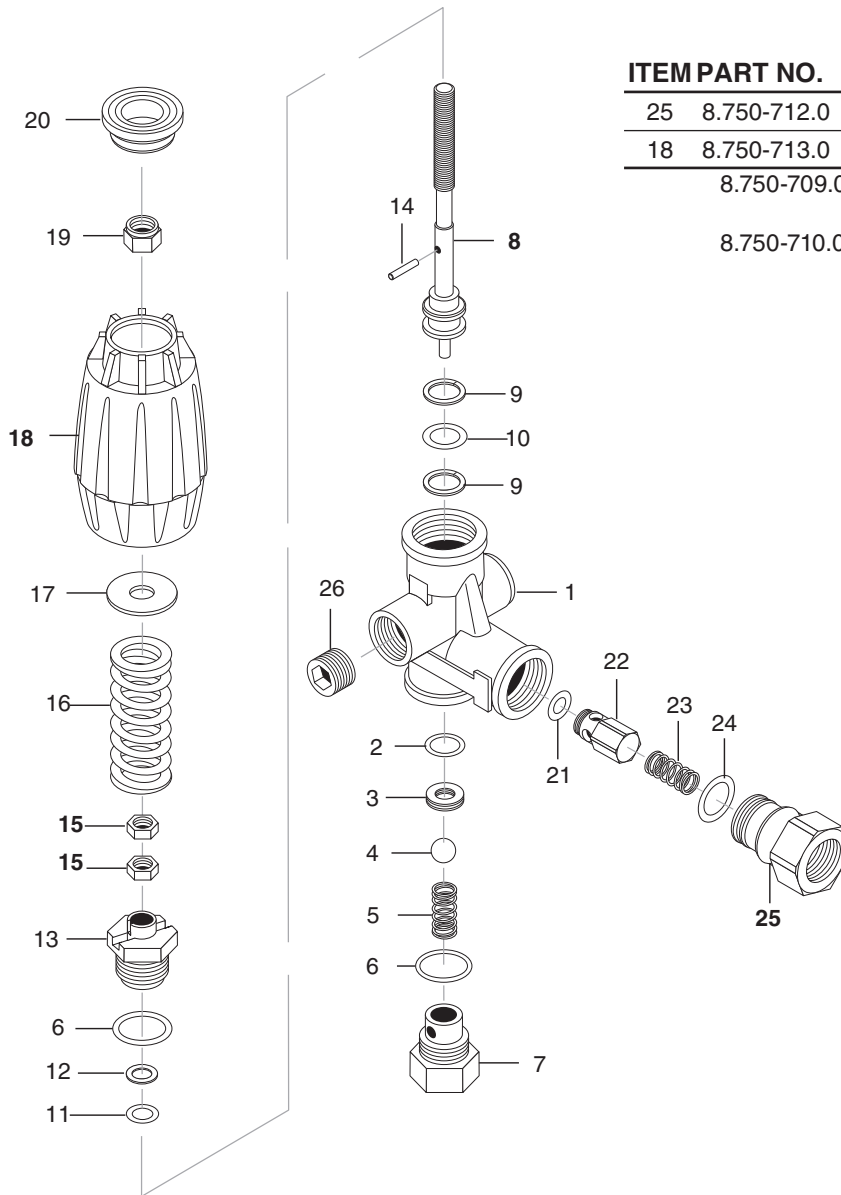
ITEM	PART NO.	DESCRIPTION	QTY
36	8.754-844.0	Flange, Motor	1
37	9.803-210.0	Washer	10
38	8.752-824.0	Screw, 6 mm	4
39*	8.754-855.0	Bolt, Plunger	3
40*	8.754-092.0	Spacer, Copper	3
41	8.754-848.0	Plunger, 16mm (2030S, 2830S)	3
	8.754-849.0	Plunger, 14mm (2030F, 2830F, 3530F)	3
42	9.803-962.0	Spacer, Copper	3
43	8.754-827.0	Plunger Rod	3
44	9.803-965.0	Connecting Rod Pin	3
45	9.803-966.0	Connecting Rod	3
46	8.933-020.0	Screw, Connecting Rod	6
47	8.754-847.0	O-ring Ø2.62 X 111.62	1
48	8.754-842.0	Cover, Crankcase	1
49	9.803-906.0	O-ring Ø1.78 X 14	1
50	9.803-202.0	Sight Glass, G3/4	1

### REPAIR KITS

REPAIR KIT NUMBER	8.754-860.0	8.754-856.0	8.754-861.0	8.754-857.0	8.754-862.0	8.754-858.0	8.754-859.0	9.803-937.0
KIT DESCRIPTION	Plunger Seals 14 mm	Plunger Seals 16 mm	Seal Packing 14 mm	Seal Packing 16 mm	Plunger 14 mm	Plunger 16 mm	Complete Valve	Plunger Oil Seals
ITEM NUMBERS INCLUDED	4, 6, 8	4, 6, 8	4, 5, 6, 7, 8	3, 4, 5, 6, 7	39, 40, 41, 42	39, 40, 41, 42	12, 13, 14	3
NO. OF CYLINDERS KIT WILL SERVICE	3	3	1	1	1	1	6	3

# VRT3 UNLOADER EXPLODED VIEW AND PART S LIST

8.750-299.0, 8 GPM, 4500 PSI



ITEM	PART NO.	DESCRIPTION	QTY
25	8.750-712.0	Outlet Fitting	1
18	8.750-713.0	Knob, Unloader	1
	8.750-709.0	Repair Kit, VRT3, 2320/3630 PSI	
	8.750-710.0	Repair Kit, VRT3, 4500 PSI (Kit Items: 1, 4, 8-12, 16, 21-22)	

## Unloader Adjustment Procedures

1. Remove lock nut (Item 19).
2. Remove adjustment knob (Item 18).
3. Loosen the two (2) nuts (Item 15), move them upward on stem (Item 8) until you see 4 or more threads below the nut.
4. Re-attach adjusting knob (Item 18).
5. Start machine. Open the trigger of the spray gun. Increase pressure by turning adjustment knob (Item 18) clockwise until pressure is at the desired operating pressure.
6. Remove the adjustment knob (Item 18), tighten the lower nut (Item 15) tightly against the upper nut (Item 15). Reattach adjustment knob (Item 18) and screw down until contact is made with the nuts (Items 15). Screw down lock nut (Item 19) onto the stem (Item 8) until the threads cut into the nylon insert of the lock nut (Item 19).

\*If adjustment knob (Item 18) DOES NOT make contact with upper nut (Items 15), remove adjusting knob (Item 18), re-adjust (raise) nuts (Items 15) on stem (Item 8) and re-attach adjustment knob (Item 18), then repeat step #6.

\*\*If adjustment knob (Item 18) DOES make contact with upper nut; release the trigger of the spray gun and watch the pressure gauge for the pressure increase ("spike"). This "spike" SHOULD NOT exceed 500 psi above the operating pressure. If "spike" pressure exceeds the 500 psi limit, remove the adjusting knob (Item 18) and re-adjust (lower) the nuts (Items 15) on the stem (Item 8).

Re-attach the adjusting knob (Item 18), then repeat step #6.